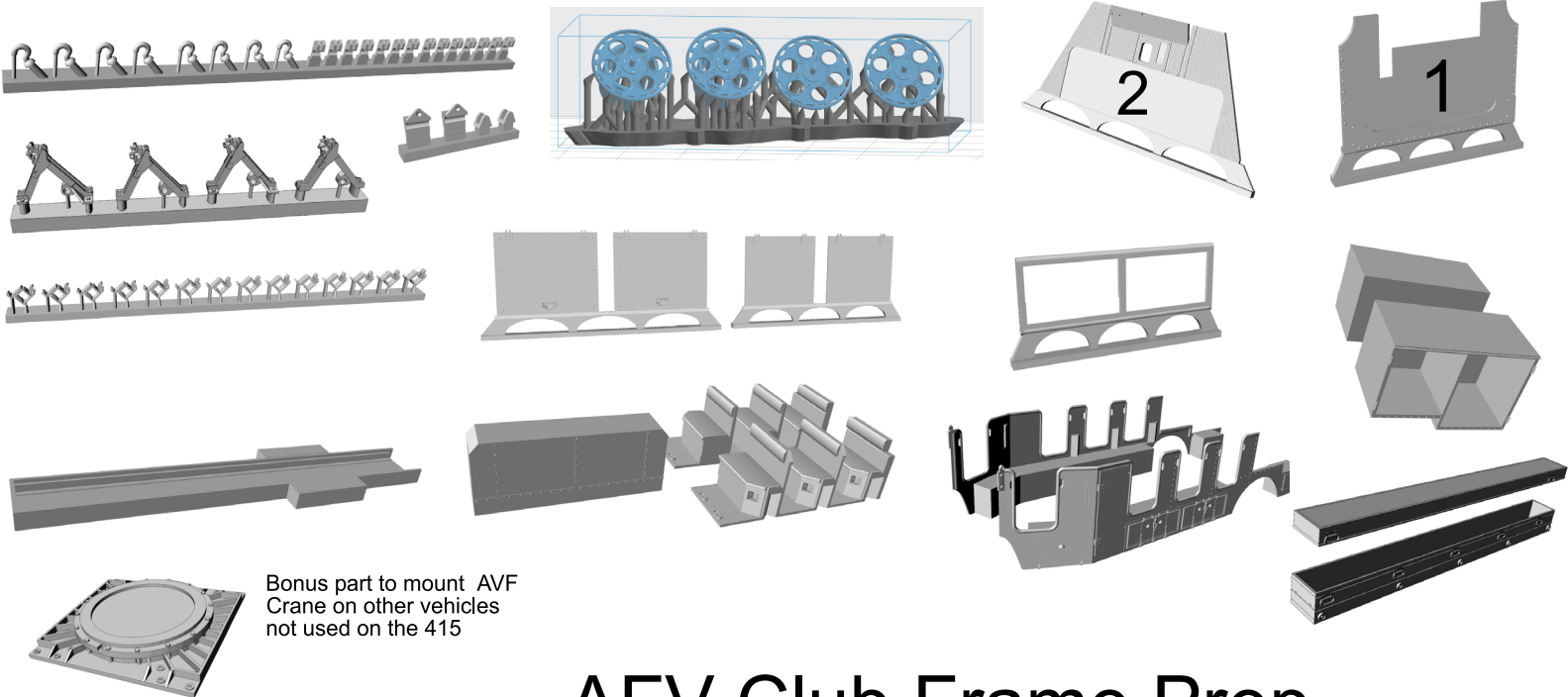
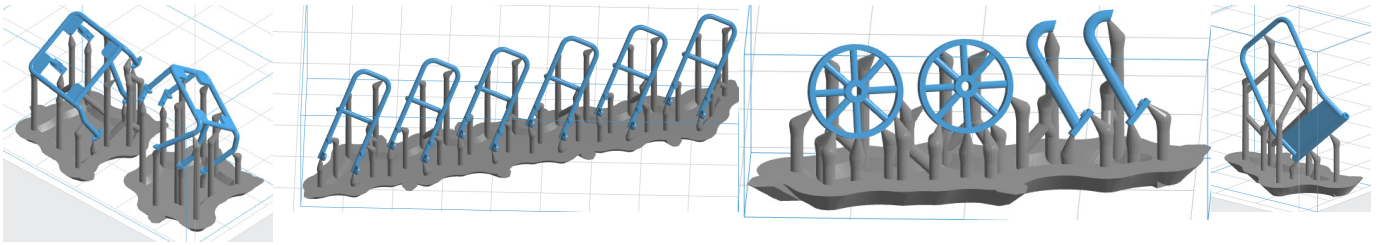


Sd.Kfz 415 Parts

For use on AFV Club 4500a Kit Number 35276

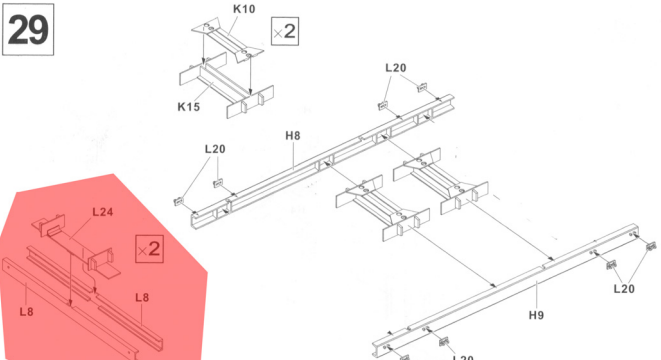
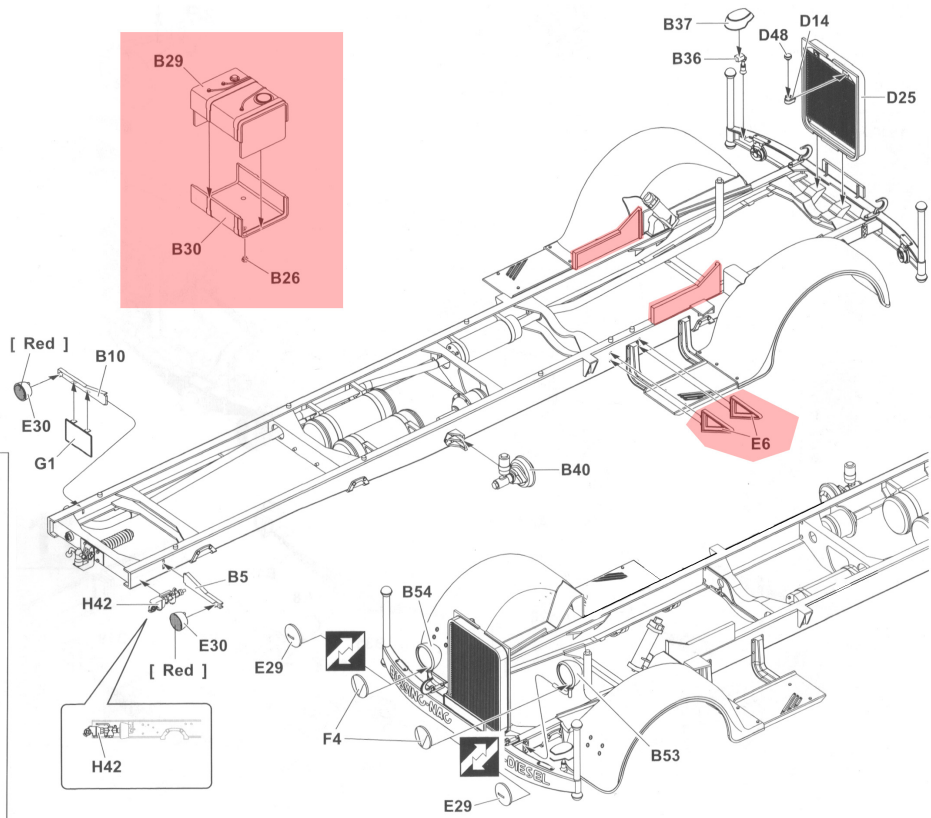
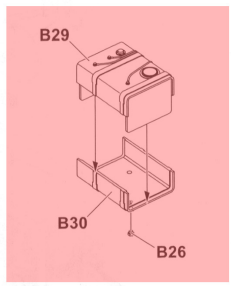
May work on other kits with modifications

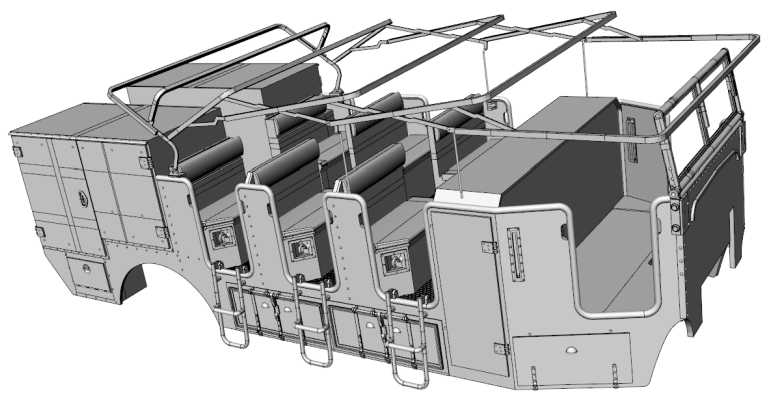
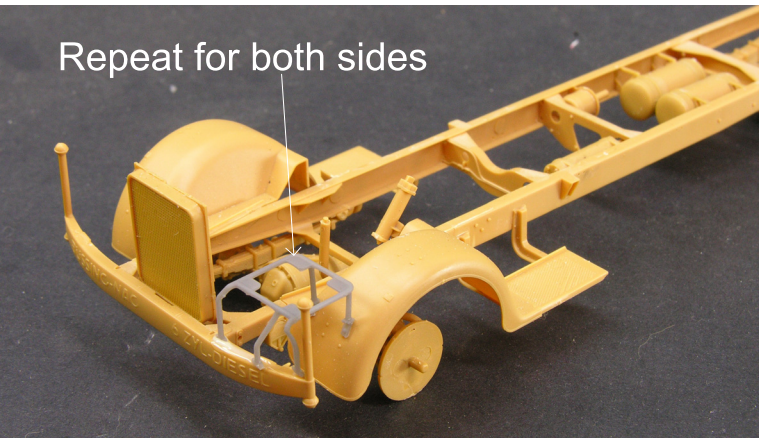
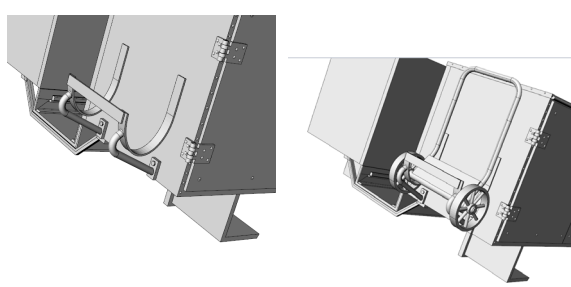
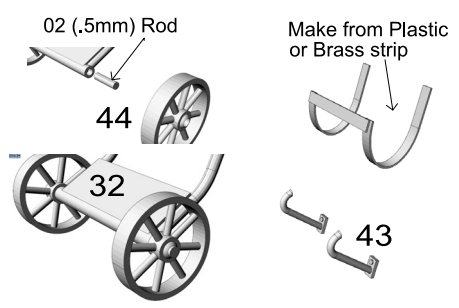
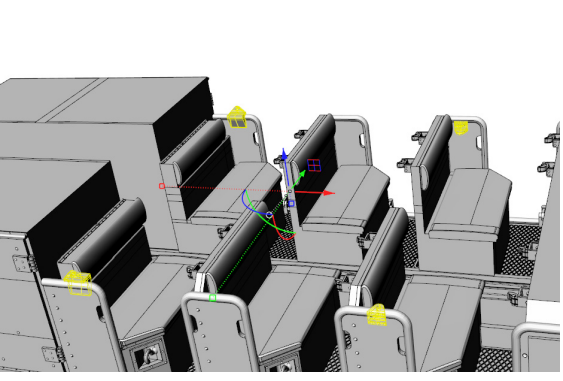
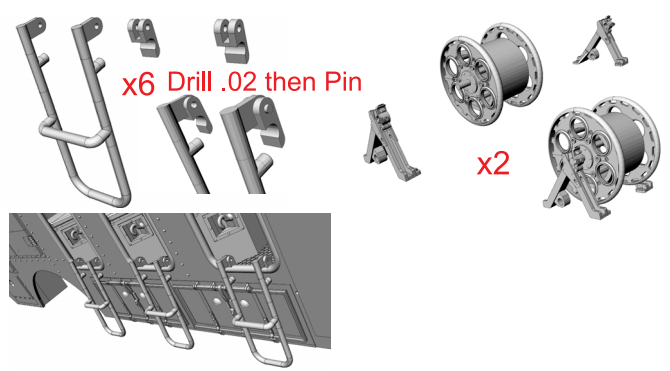
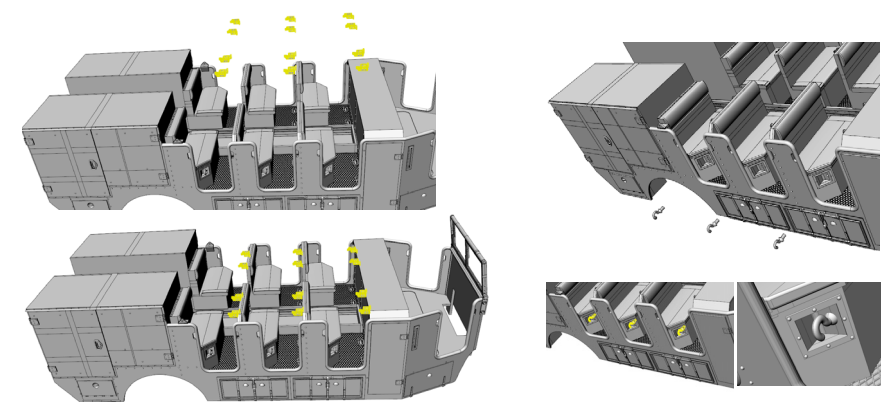
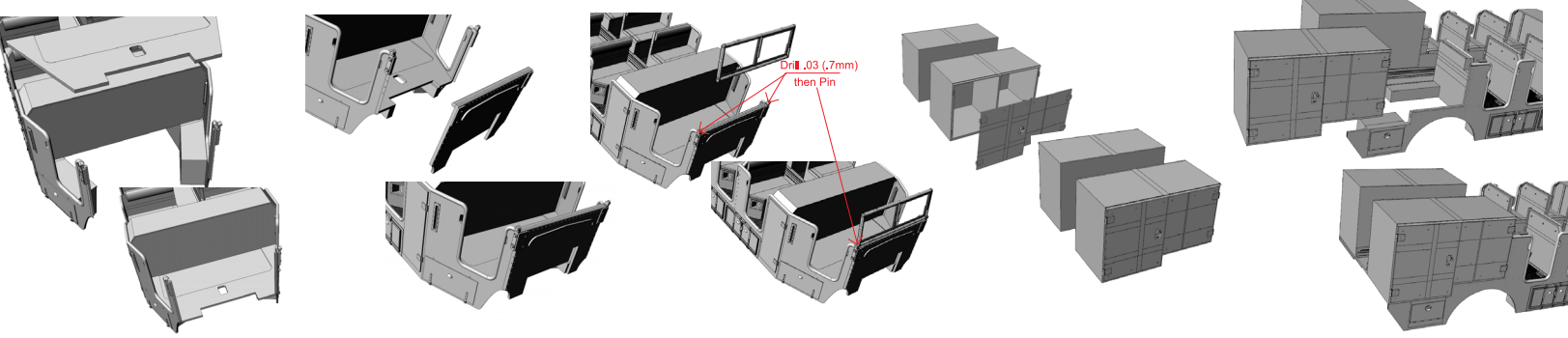
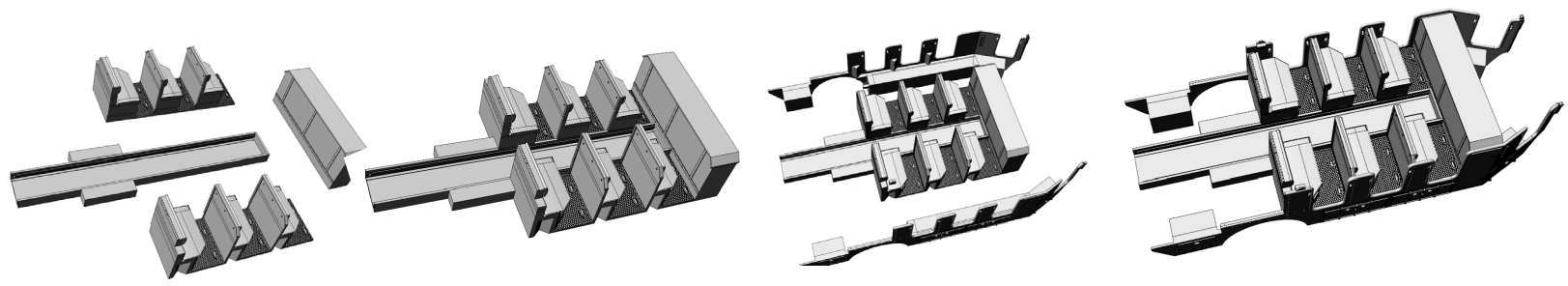


Bonus part to mount AVF Crane on other vehicles not used on the 415

AFV Club Frame Prep

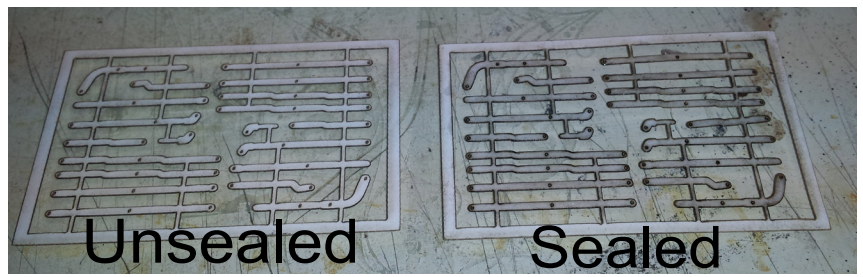
Build Kit as per instructions up to step 16.
Do not use and/or remove items marked in RED.
Use interior parts as per instruction but replace floor and firewall with resin parts 1 and 2..
To mount the resin Cab and bed to frame use parts in step 29 as shown. Finishe detailing lower frame as per instructions



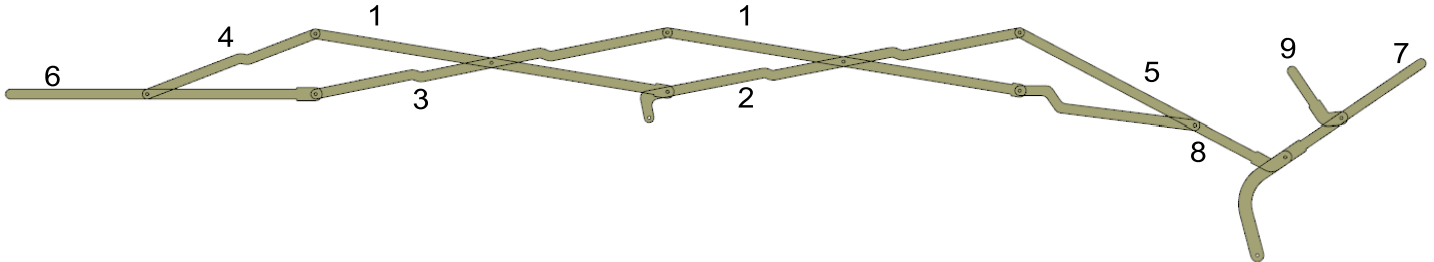


READ VERY IMPORTANT

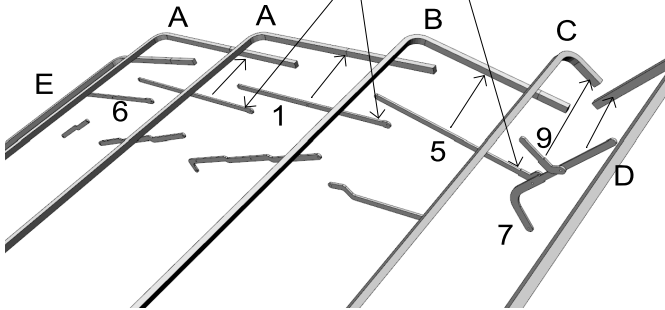
For the card stock to work properly you MUST seal it with thin CA. This makes the card very rigid so it can be drilled and pinned



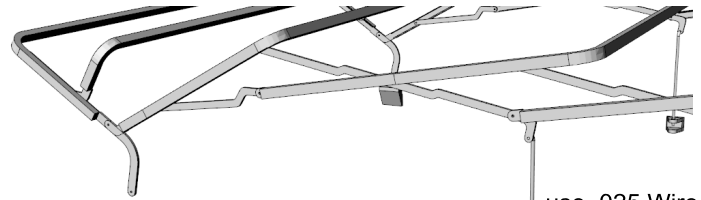
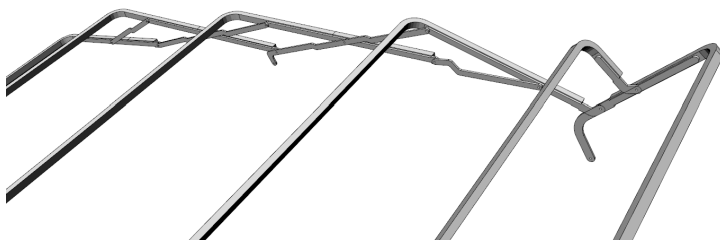
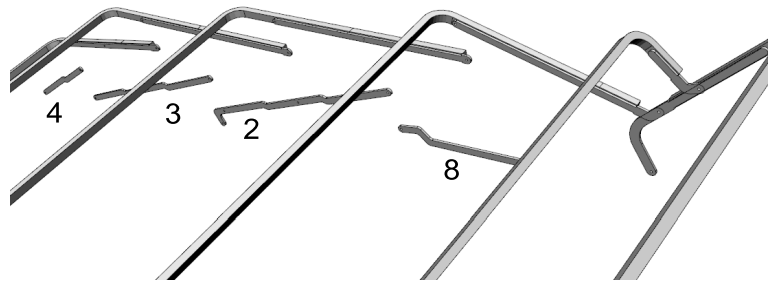
Shown without Bows



The Notch on the end should line up with the end of the bows



To make functional drill with .02 then pin.



use .025 Wire to make support

