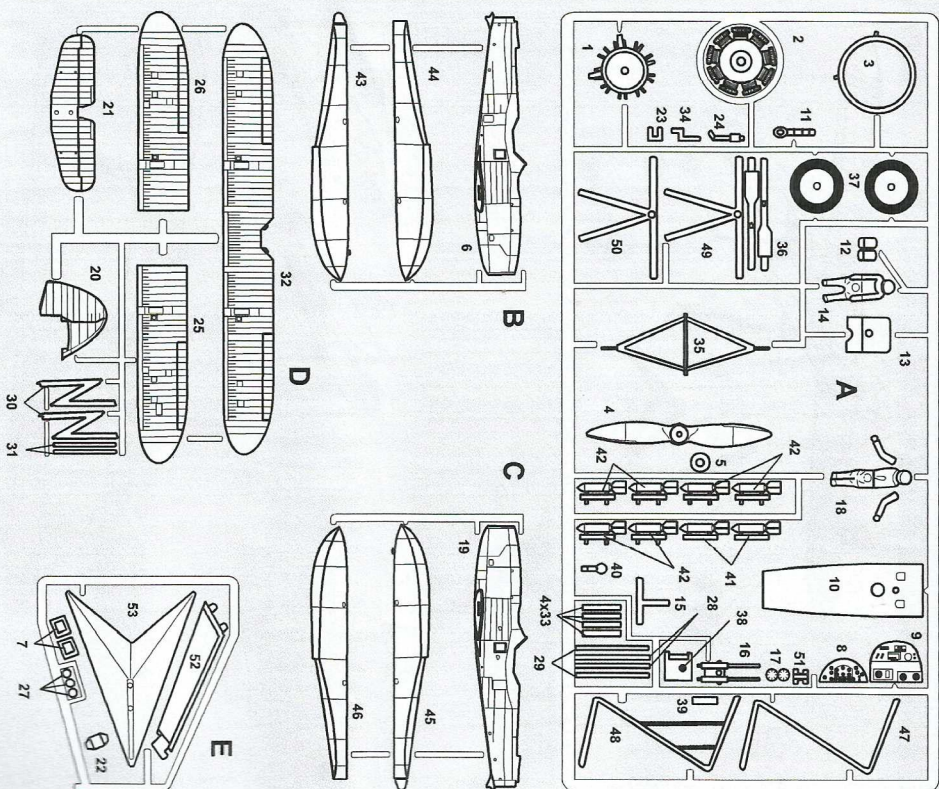


PARTS LOCATING DIAGRAM



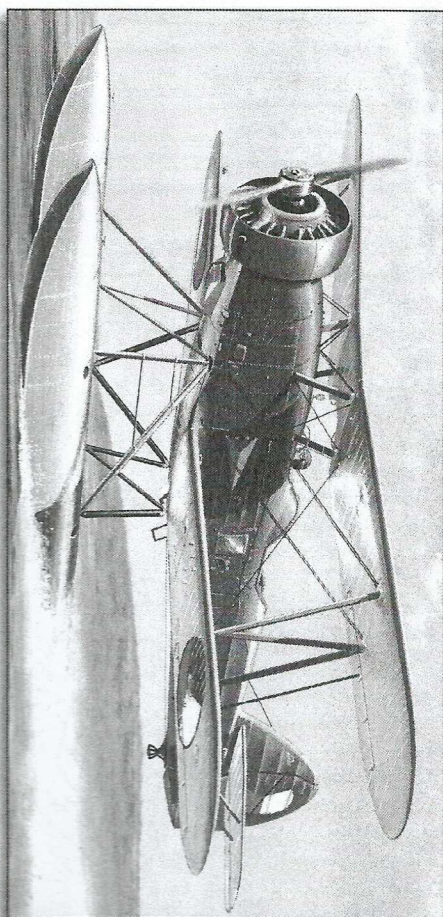
SUPPORT

In case you need help, advice from modelling experts or replacement parts, please visit our internet website: www.kp-models.com. Under Building Log menupoint you'll find useful tips & tricks as well you can follow building process on pictures. Don't hesitate to post your comment or question, our experts will answer you.

Copyright ©2010 KP Models www.kp-models.com

Letov S-328
1/72nd scale

Item No: P72111



CAUTION

- Supervising adult should read the instructions if a small child (under 14 years old) assembles the model!
- The kit contains small parts, they can be dangerous if swallowed, keep away from reach of small children.
- Keep plastic bag away from small children! Self-inflation hazard!
- When assembling this kit, tools including knives and scissors are used, be careful with sharp edges to avoid personal injury!
- When using cement, adhesives and paints, don't use them in closed room or near fire, avoid contact of chemicals with your eyes, face and clothes!

PLEASE READ BEFORE ASSEMBLY!

- Read carefully and fully understand the instructions before starting.
- Cut all parts off carefully and trim any excess of plastic before assembling.
- Use plastic cement and paints only.
- Apply cement on inside surfaces only and use small amount of cement to avoid damage of your model.
- Use rubber bands or tape to hold parts together until cement bonds.
- After assembly, paint and apply decals. Please refer to the included Painting & Marking instruction.

RECOMMENDED TOOLS (not included in this kit)

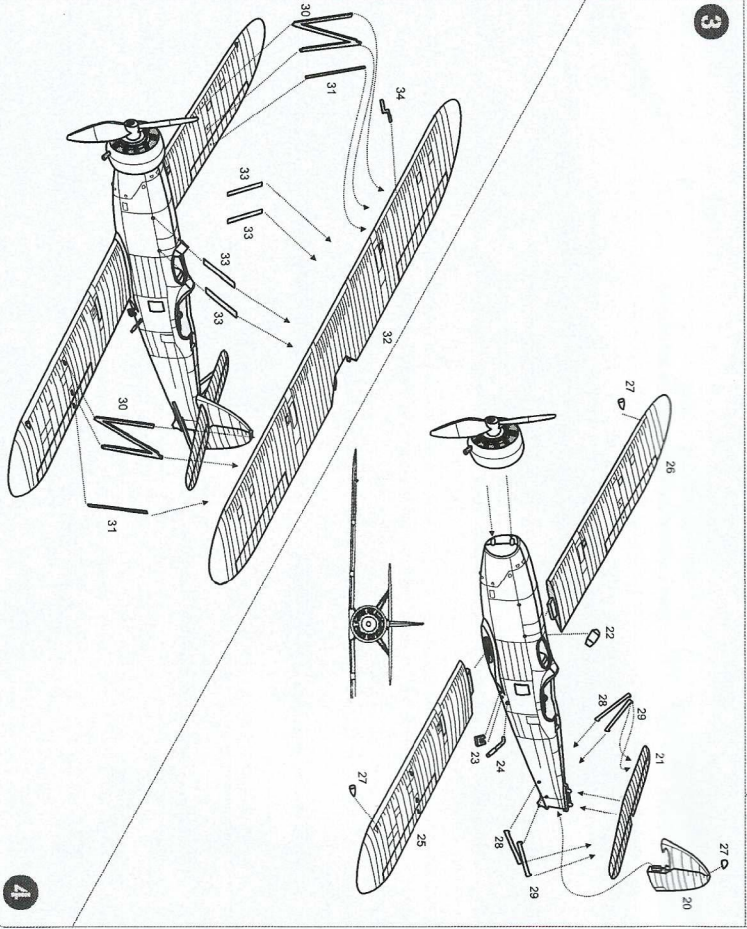
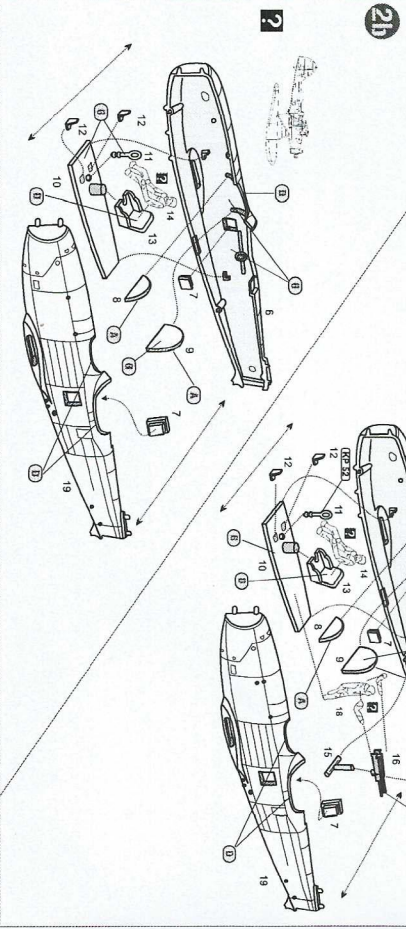
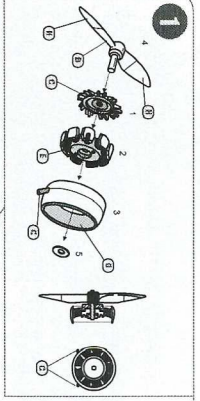
- Kyrone cement
- Kyrone primer
- Kyrone paint
- Modelling knife, Scissors
- Nippers & Drill
- Sand paper, Soft cloth

Please take your time, do not hurry! You'll find your finished model will reflect your time, work and patience. Enjoy your kit.

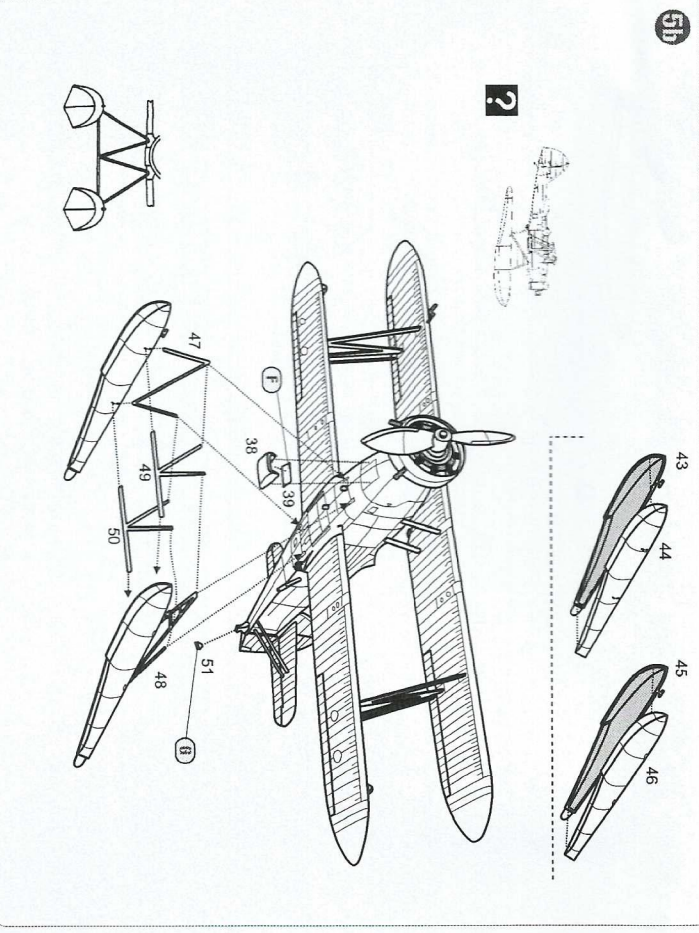
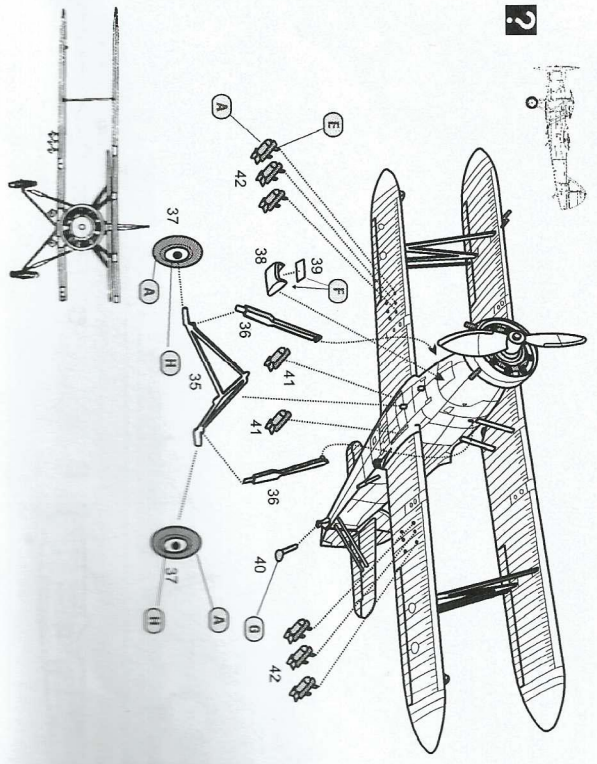
LEGEND

- Drill a hole
- Cut off / remove
- No cement
- Optional
- Apply decal
- Required operation
- Weight
- Print

Copyright ©2010 KP Models www.kp-models.com



5a



Painting and Marking

Item No.: P72111

Letov Š-328



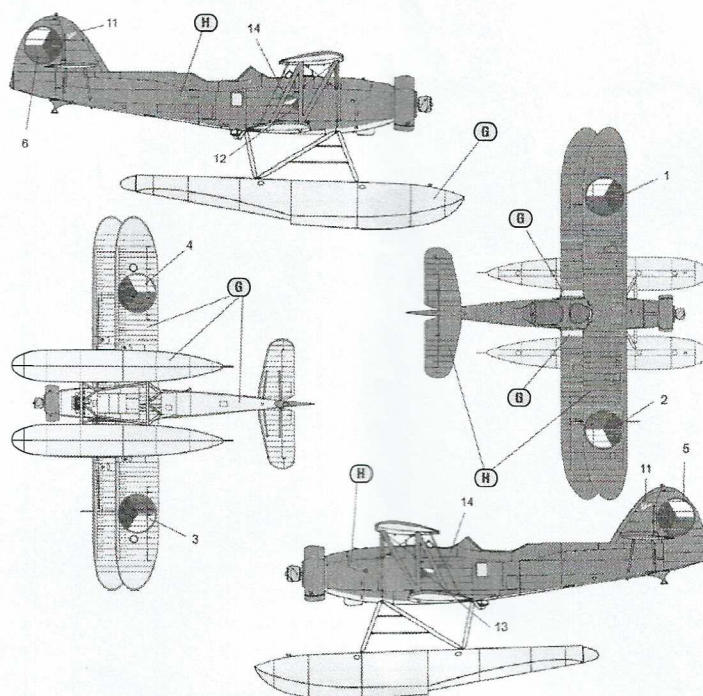
Colour Code

Colour Code		HUMBROL	AGAMA
A	Black	33	07
B	Natural wood	110	24
C	Rust	113	29
D	Leather	62	30
E	Gunmetal	53	32
F	Brass	54	45
G	Aluminium	56	46
H	Khaki	108	C 5
I	Yellow	24	N 20
J	Light blue	65	N 5

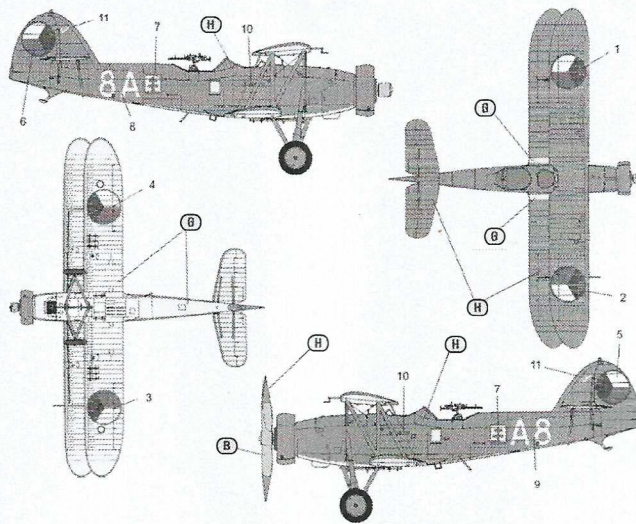
Decal Application

- Cut off decal from sheet.
- Dip the decal in tepid water for about 10 sec and place on a clean cloth for 10 sec.
- Hold the backing sheet edge and slide decal onto the model.
- Move decal into position by wetting decal with finger.
- Press decal gently down with a soft cloth until excess water and air bubbles are gone.

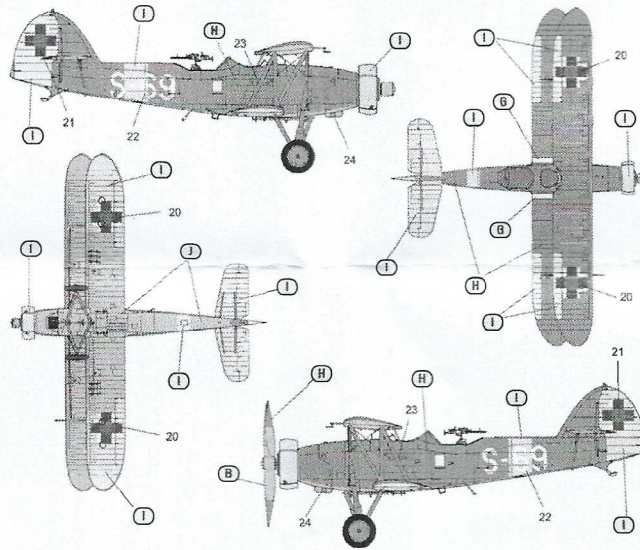
1 Š.328.v Floats version - Boka Kotorska 1936



2 Š.328.110 / Czechoslovakia / 3th Flight Regiment



3 Š.328.13 / Slovakia 1943 / Slovak Air Arm



4 Š.328.61 / Combined Squadron / Slovak National Uprising 1944

