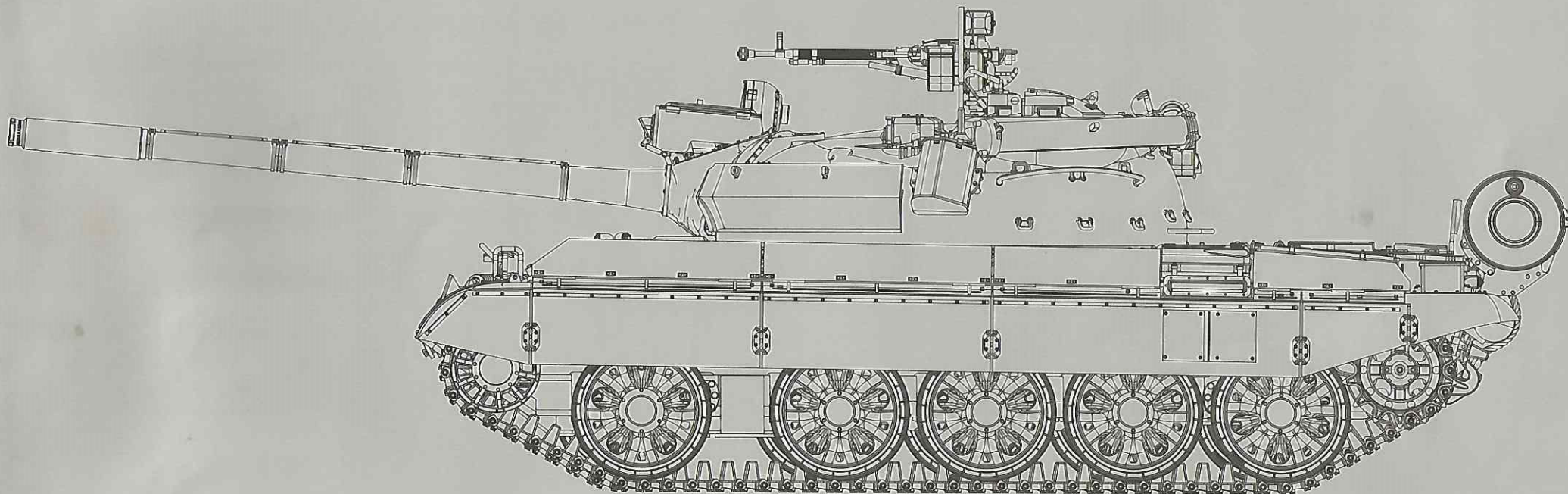


RUSSIAN MEDIUM TANK

T-55 AM



The ubiquitous T-54 & T-55 series is the most produced tank type in history, with an estimated 100,000 units having been produced in Russia, Czechoslovakia, Poland, and China. These tanks have been evolving since their inception at the end of WWII, continuously incorporating improved weapons, powerpacks, and protection, and they continue to be rebuilt and refurbished with local upgrades even today. They have also formed the basis of many other AFV's, such as ARV's, APC's and AVLB's, and still serve in large numbers today with as many as 50 nations.

The T-55AM was the result of a comprehensive upgrade program in 1983. This upgrade included a passive applique armor package unofficially known as 'BDD' or 'Brow Armor'. Also included in the upgrade were the Volna fire control system, an optional fitting for the Bastion guided missile, and . The new turret armor provides an additional 170mm of protection against APFSDS rounds and 240mm additional protection against HEAT rounds. The hull applique offers an additional 210mm protection against APFSD rounds and 180mm. An additional 20mm plate is attached to the front of the lower hull to protect the driver from anti-tank mines. The addition of the Volna fire control system marked the first time a ballistic computer was installed in the T-54/55 series, and incorporated the externally mounted KTD-2 laser rangefinder and the gunner's improved TShSM-32PB sight with the upgraded Tsikion M1 gun stabilization system, with an effective range of 4,000 meters. The 9K116 Bastion 100mm guided missile was fired like a conventional round, with a rocket motor igniting 1.5 seconds later and lasting for 6 seconds. This system can penetrate up to 100cm of homogenous steel armor and has an effective range up to 4km against moving targets. Up to 6 of these missiles can be carried inside the tank, along with it's load of conventional 100mm ammunition. Polish and Czech factories also produced a version of this tank, designated T-55AM2. A further version designated T-55AM2B included the 9K116 Bastion missile system.

READ BEFORE ASSEMBLY

CAUTION

- Read carefully and fully understand the instructions before commencing assembly. A supervising adult should also read the instructions if a child assembles the model.
- When assembling this kit, tools including knives used. Extra care should be taken to avoid personal injury.
- Keep out of reach of small children. Children must not be allowed to suck any part, or pull vinyl bag over their heads.



Optional



Remove



Be Careful



Drill



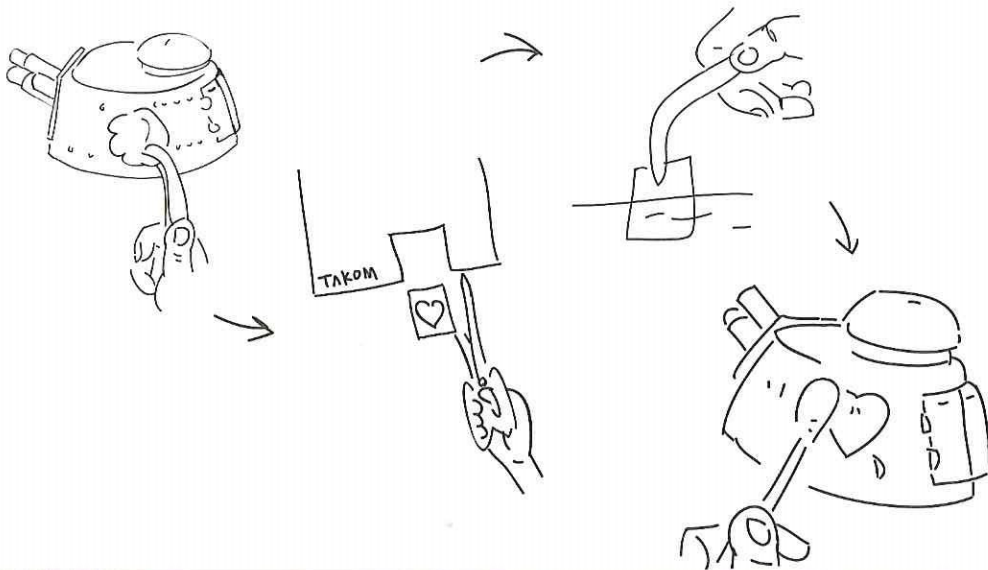
Instant Glue
for Metal



Do Not Cement

APPLYING DECALS

1. Clean the model surface with a wet cloth.
2. Cut out each decal design from sheet, and dip it in tepid water for 15~20 sec.
3. Hold the backing sheet edge and slide decal onto the model.
4. Move decal into position by wetting decal with finger.
5. Press decal gently down with a soft cloth until excess water and air bubbles are gone.

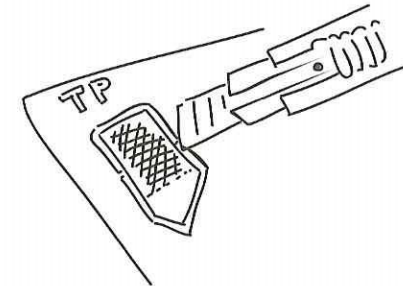


PAINTS REQUIRED

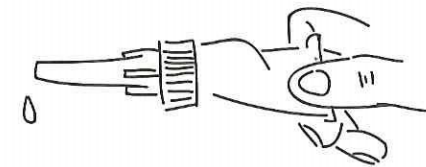
Color info and profiles by Mig Jimenez

A.MIG 053	Rubber & Tires	A.MIG 035	Dark Tracks	A.MIG 038	Light Wood	A.MIG 083	Russian Postwar Green KHV 518
A.MIG 045	Gun Metal	A.MIG 038 70% A.MIG 048 30%	Cuban Green	A.MIG 051	Light Green KHV-553M	A.MIG 095	Crystal Smoke
A.MIG 032	Russian Base						

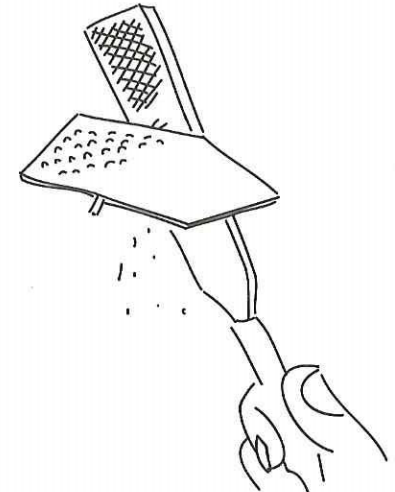
REMOVING PE



Be careful not to hurt when removing PE parts.

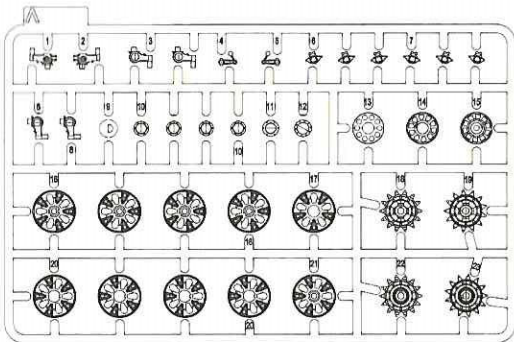


Secure using instant glue (not included).

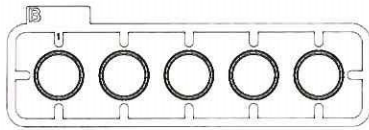


Finish using file.

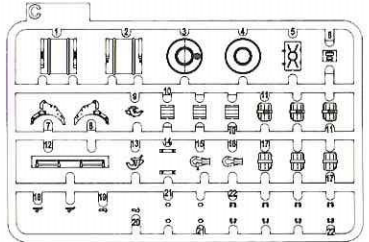
PARTS



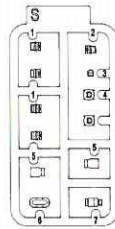
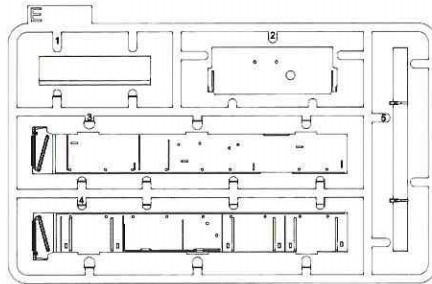
X2



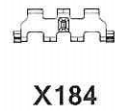
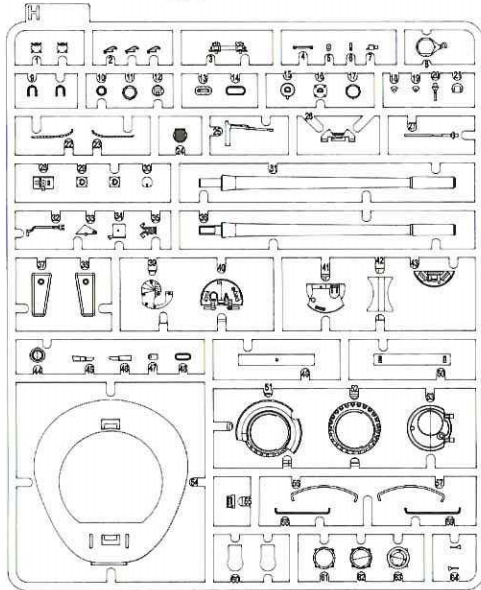
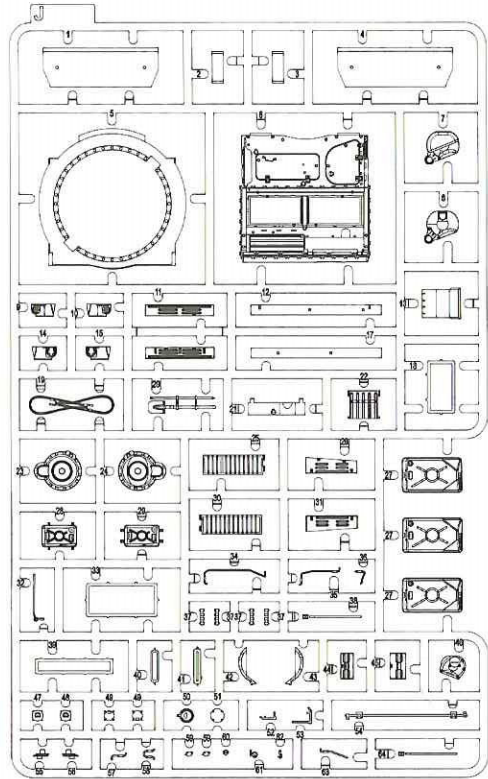
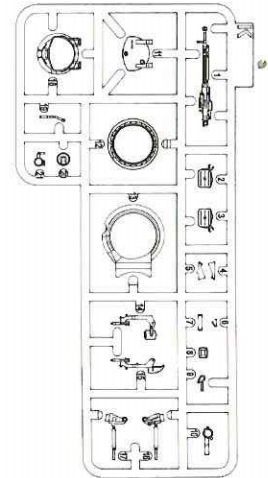
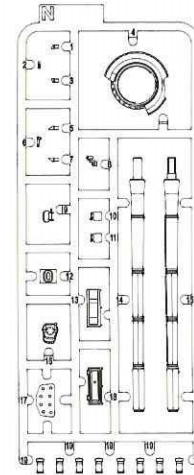
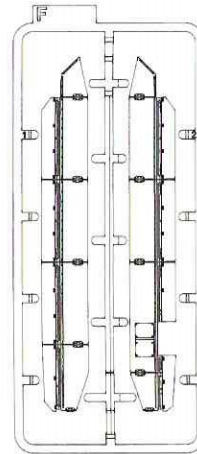
X4



X2



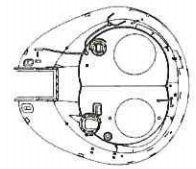
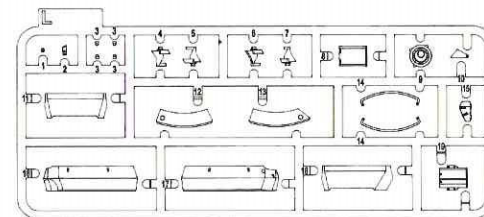
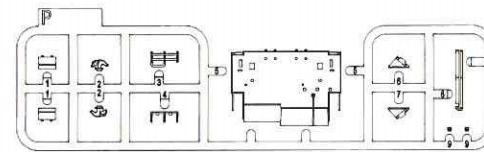
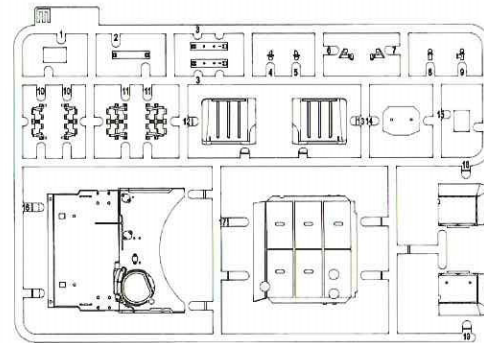
Poly Cap
X2



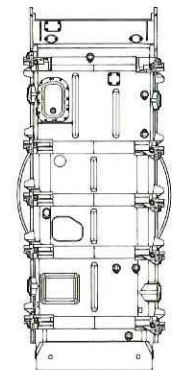
X184



Dust Cover



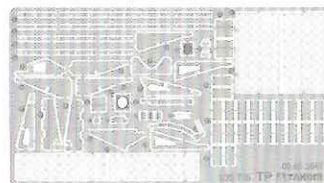
Turret



Lower Hull

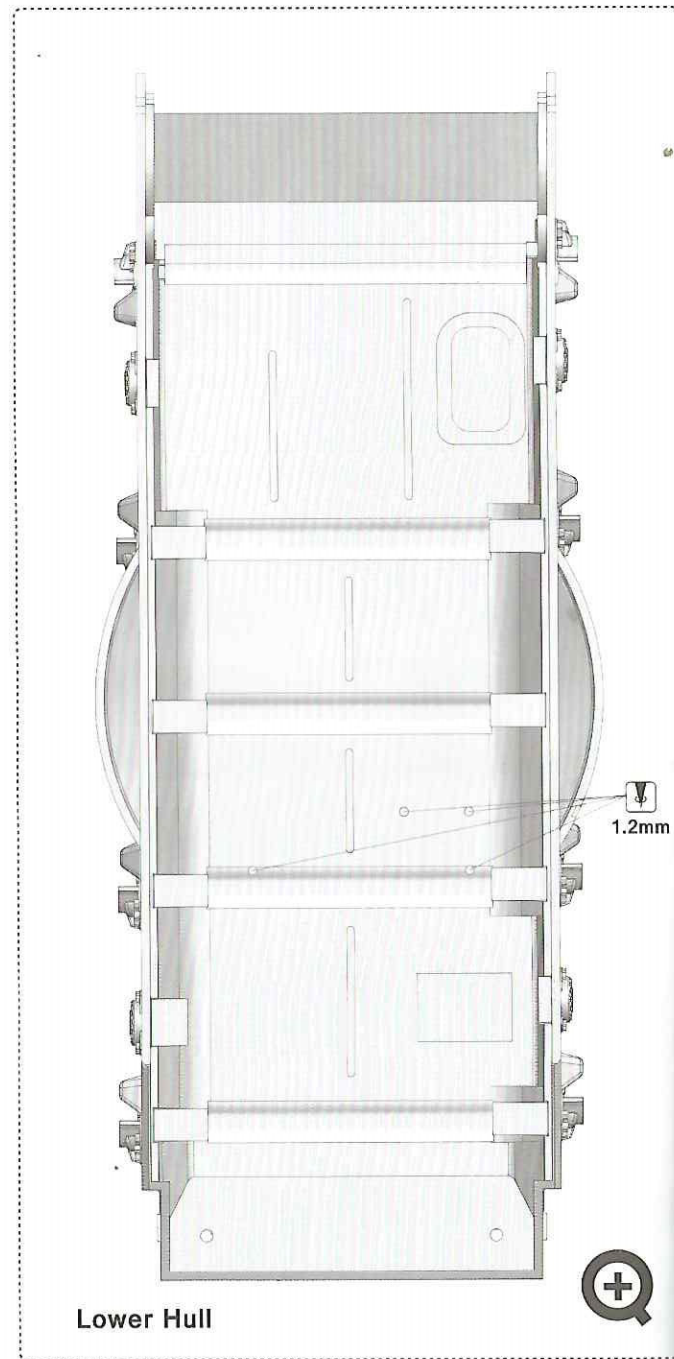
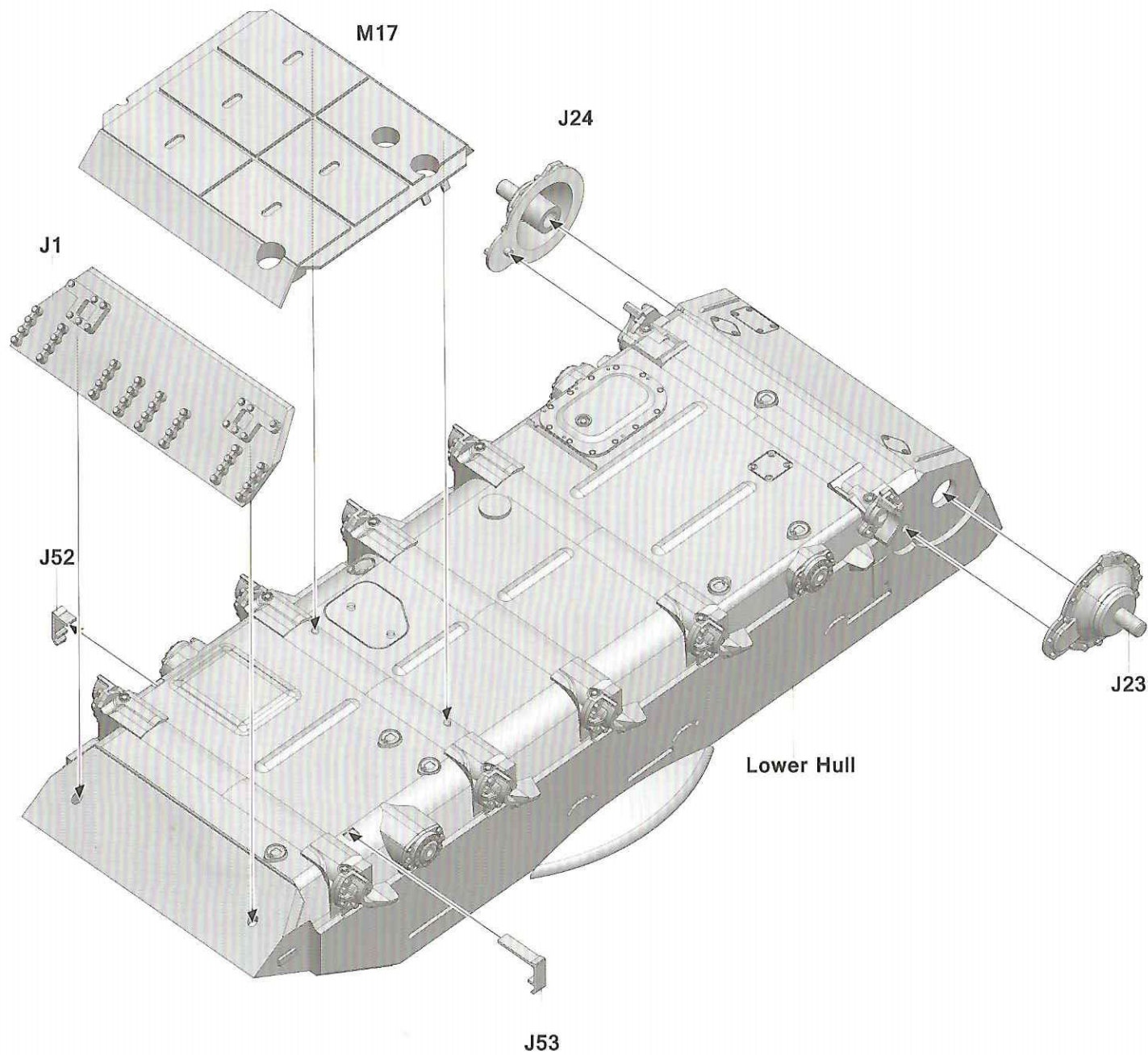


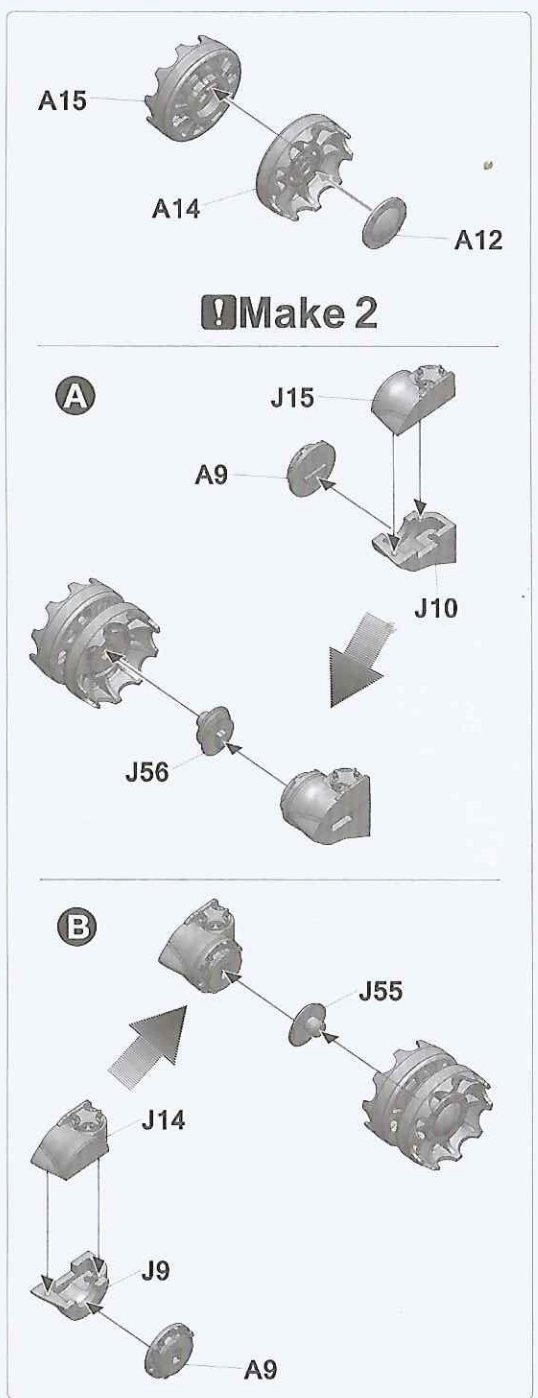
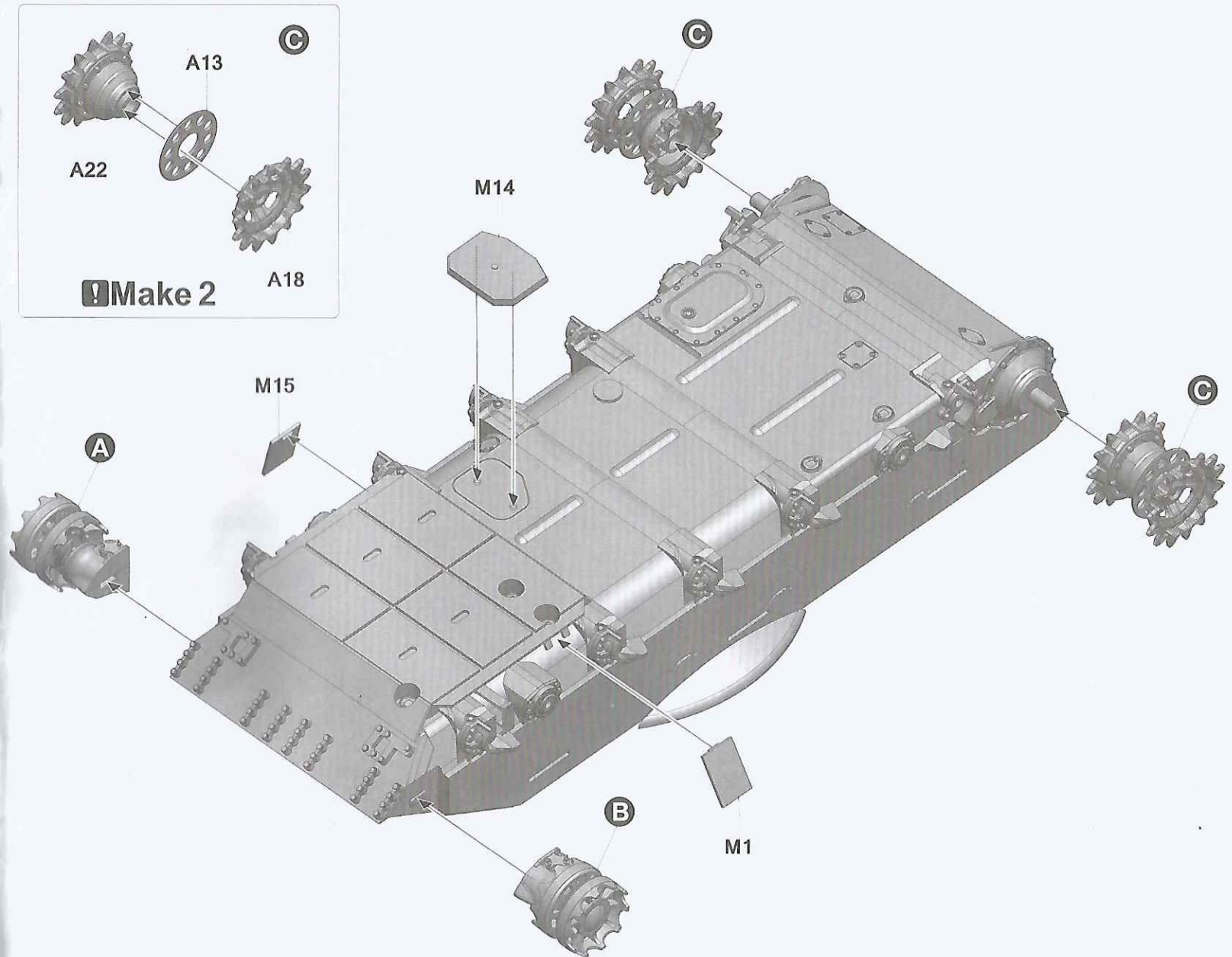
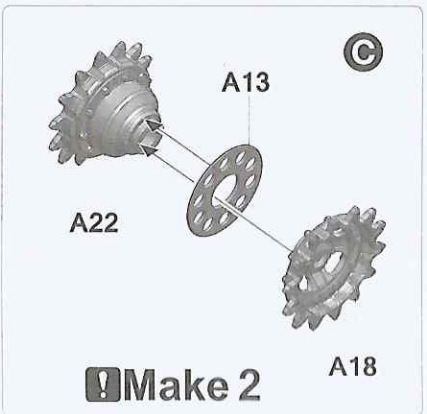
Decal

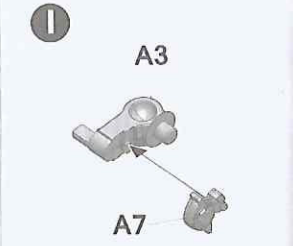
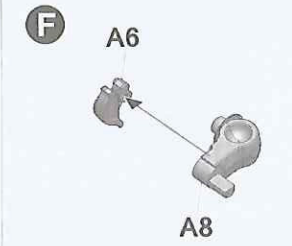
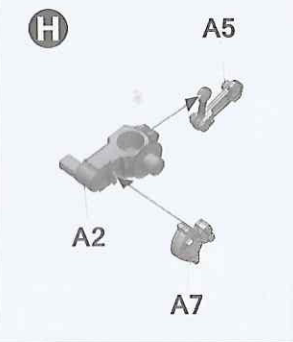
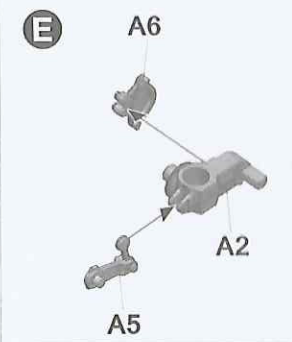
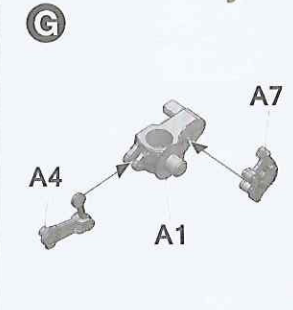
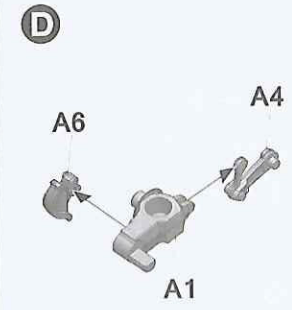
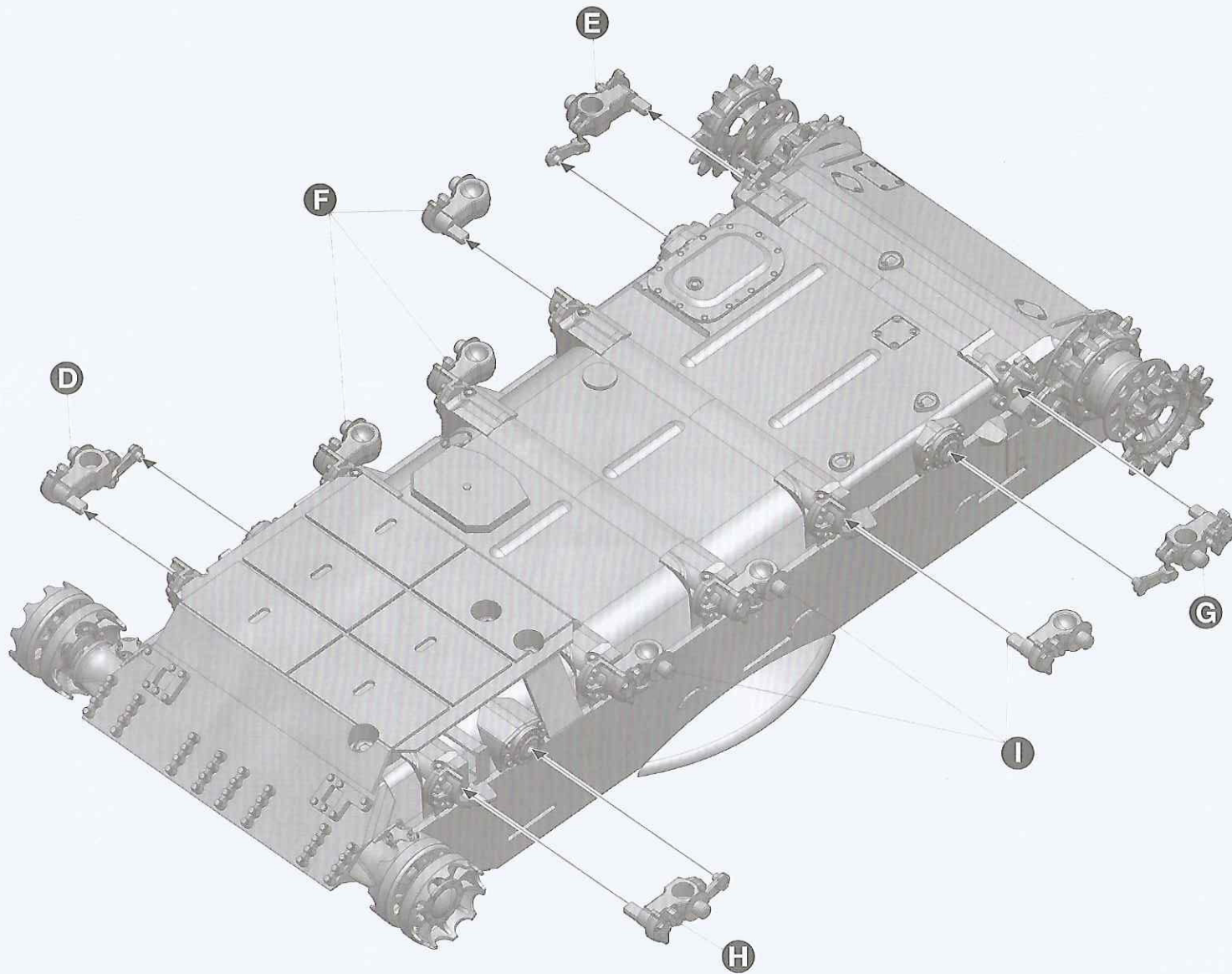


TP

Cable X2

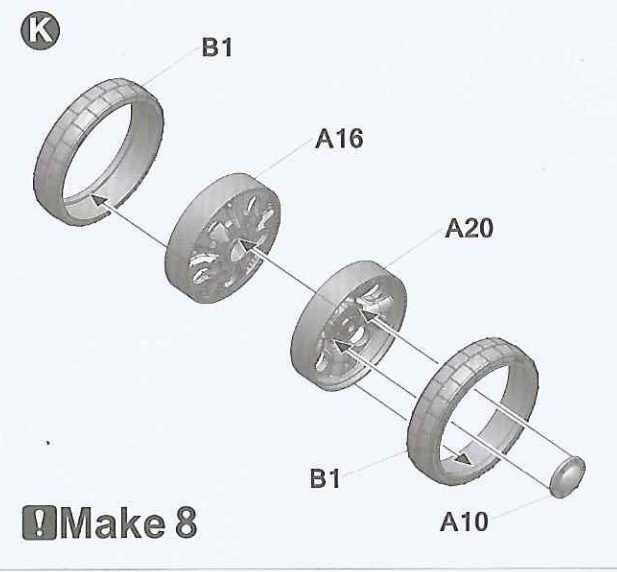
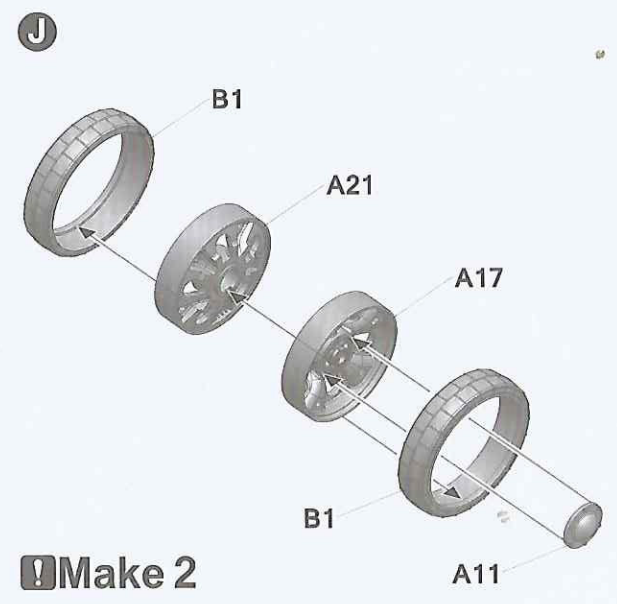
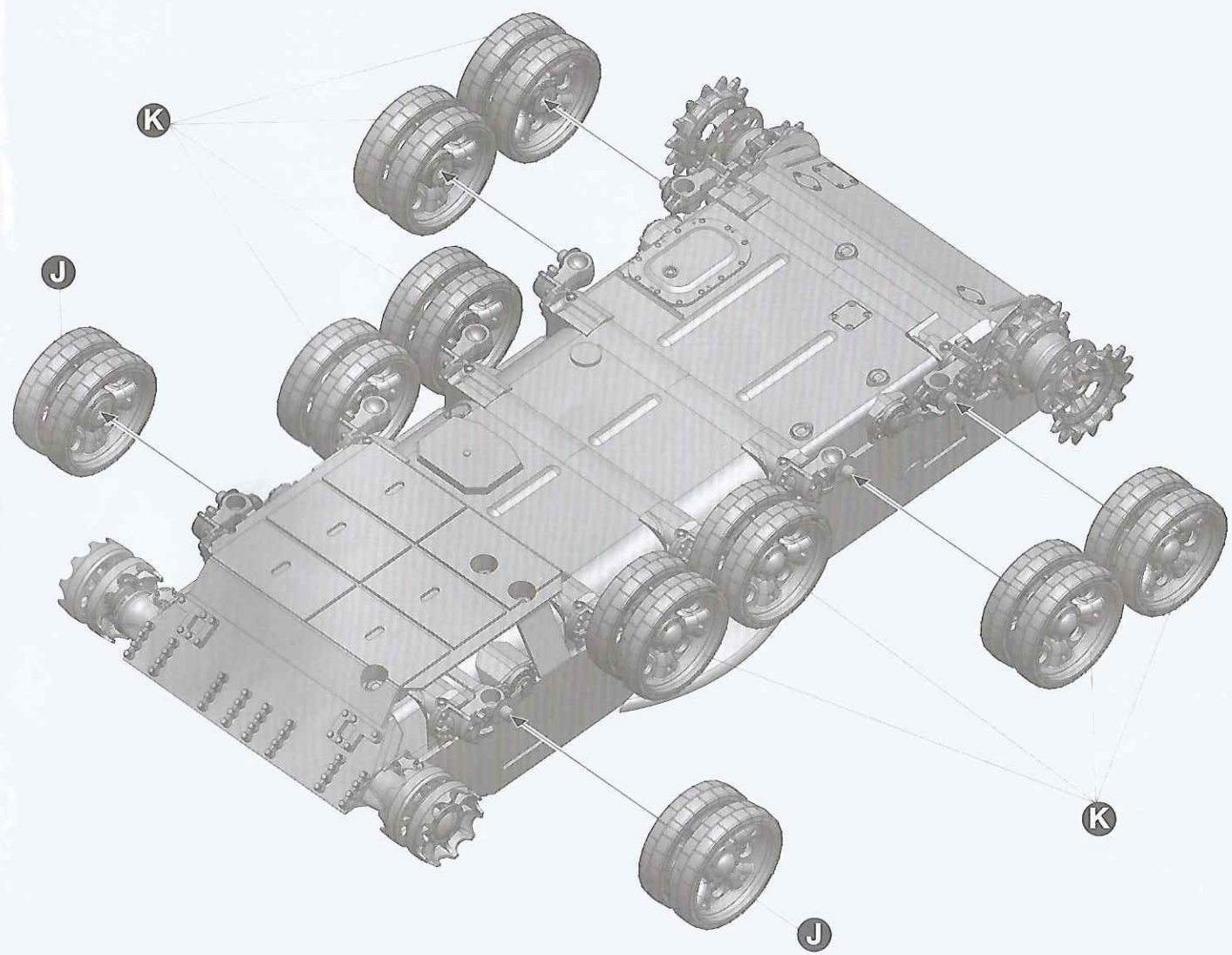




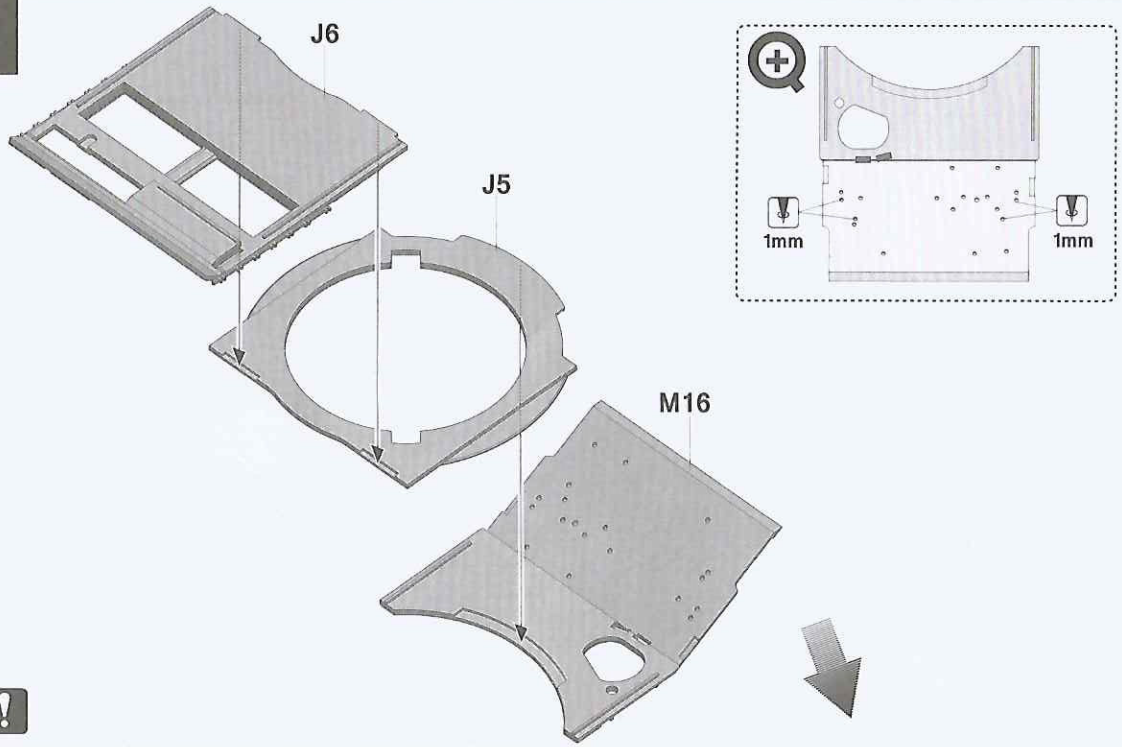


Make 3

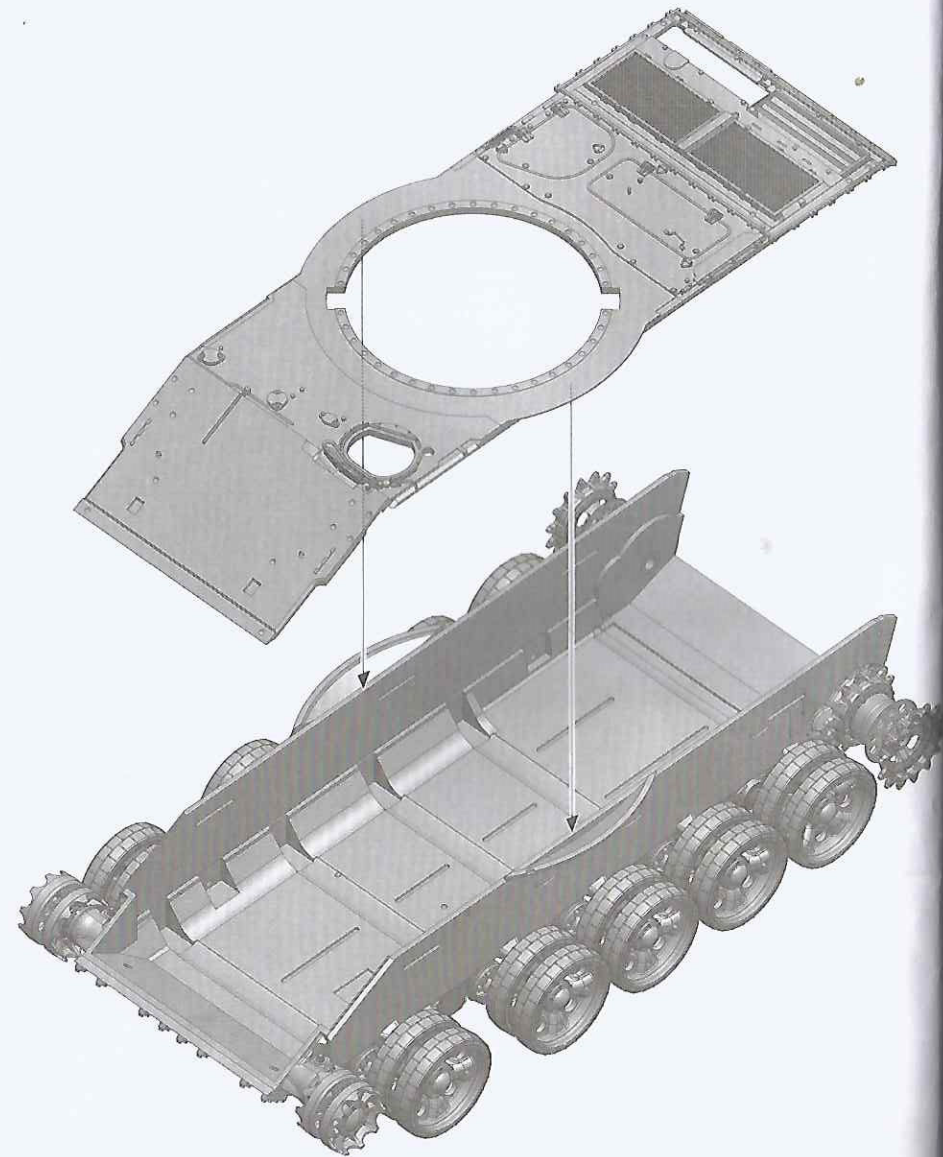
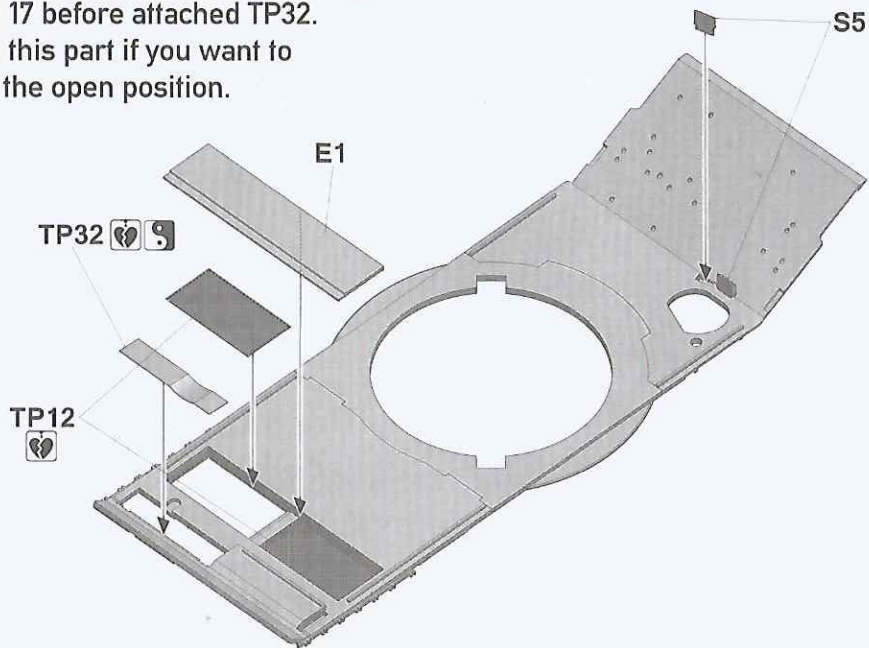
Make 3



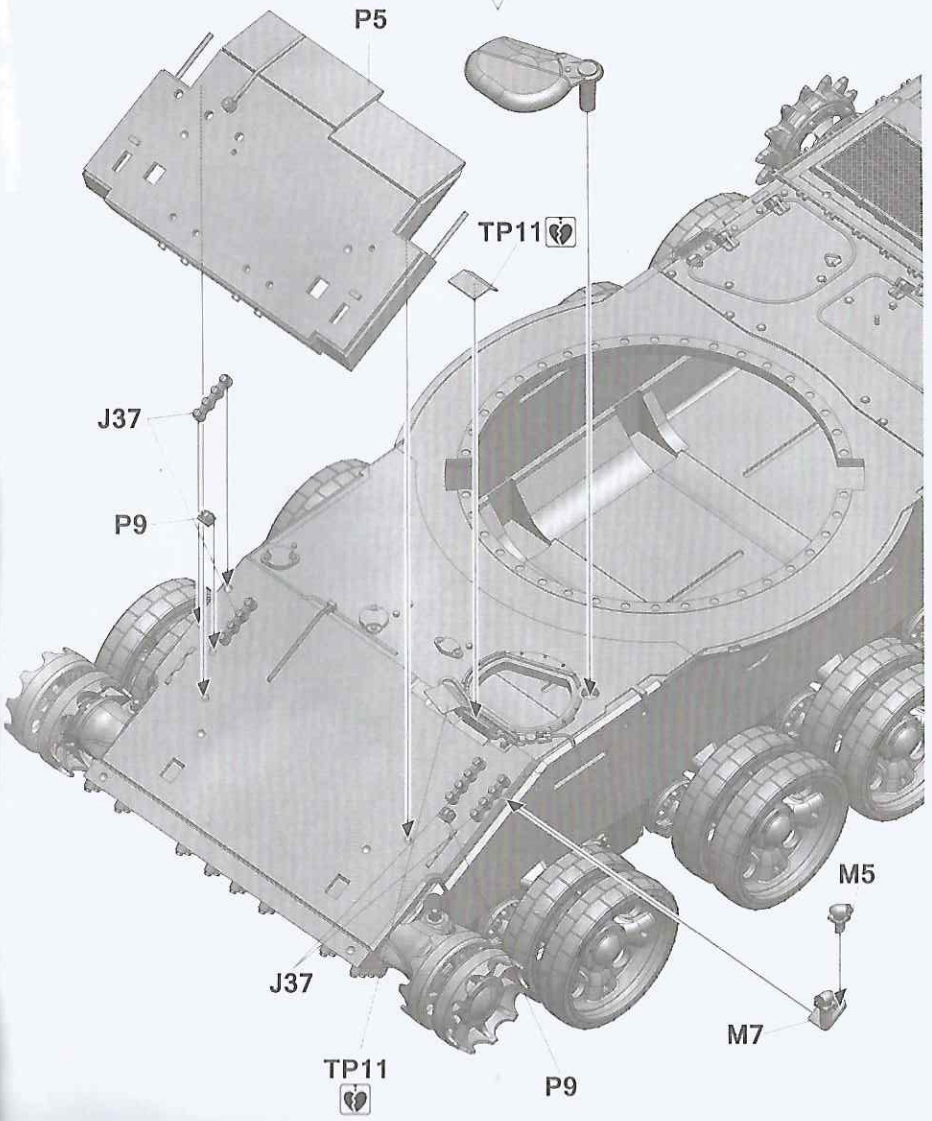
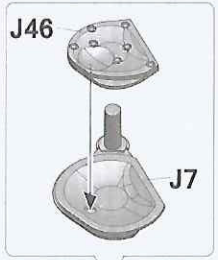
5



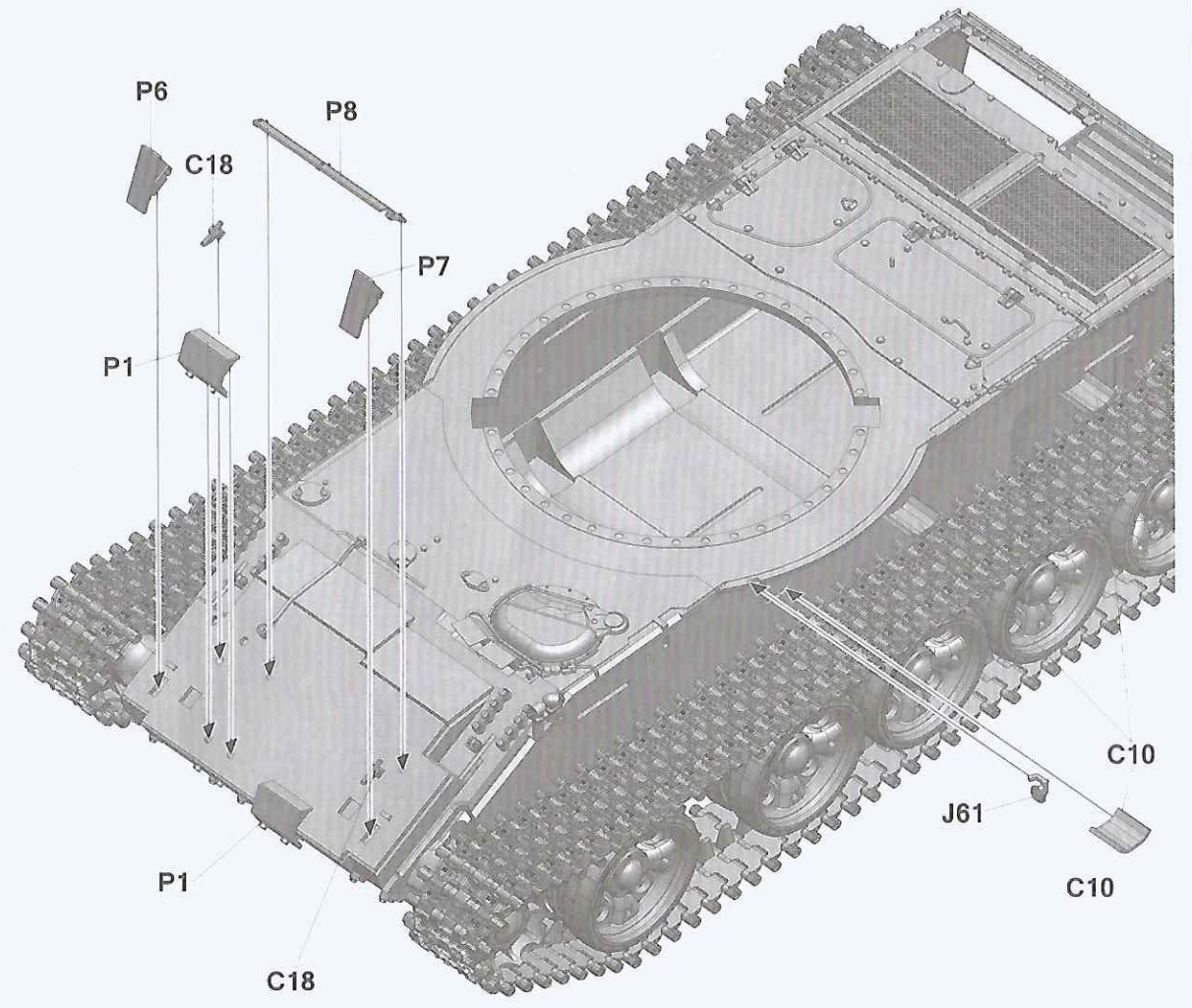
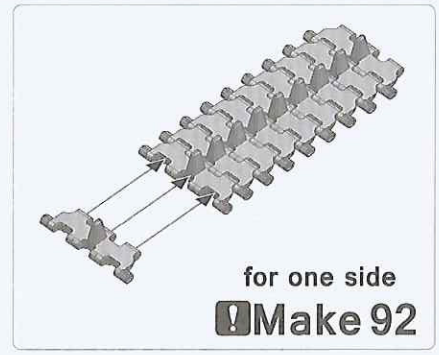
Compare with step 17 before attached TP32.
Please don't attach this part if you want to
make this hatch in the open position.



6

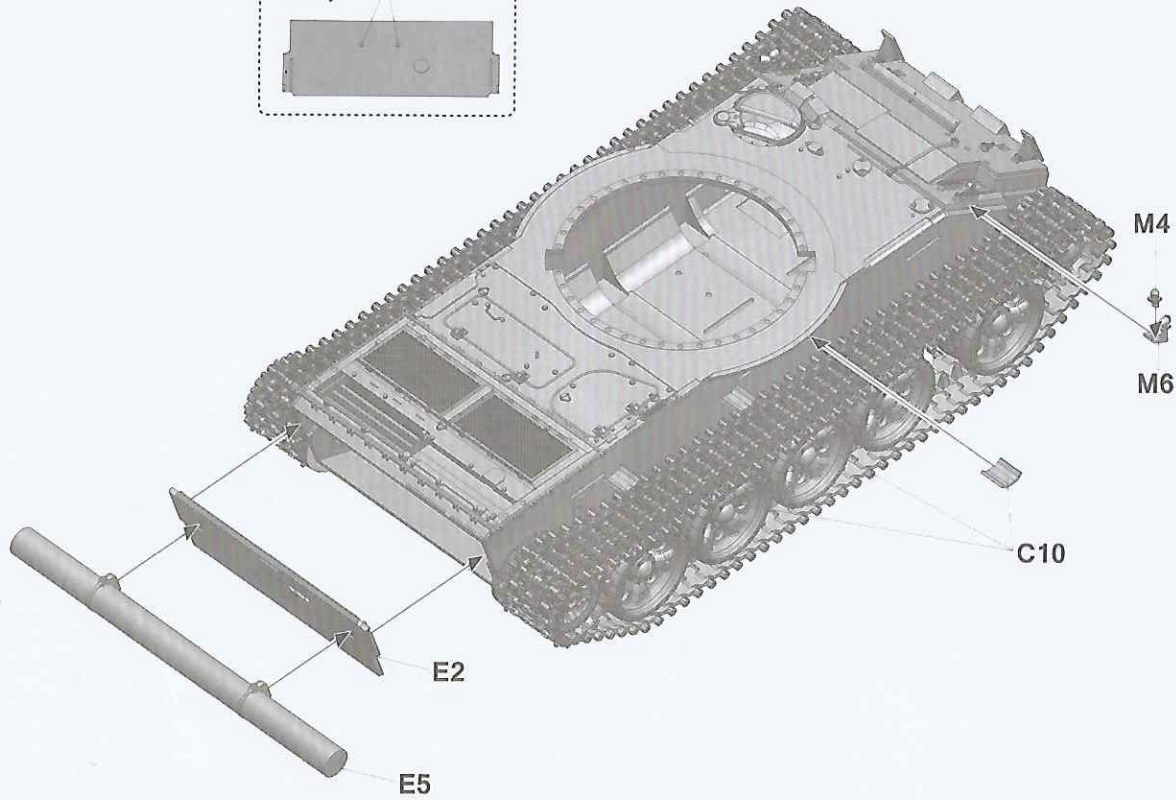
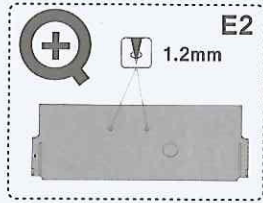


7

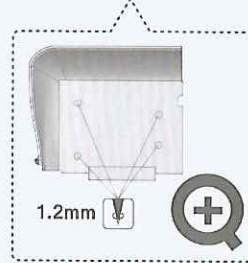
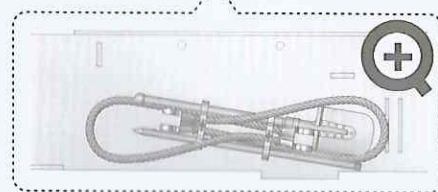
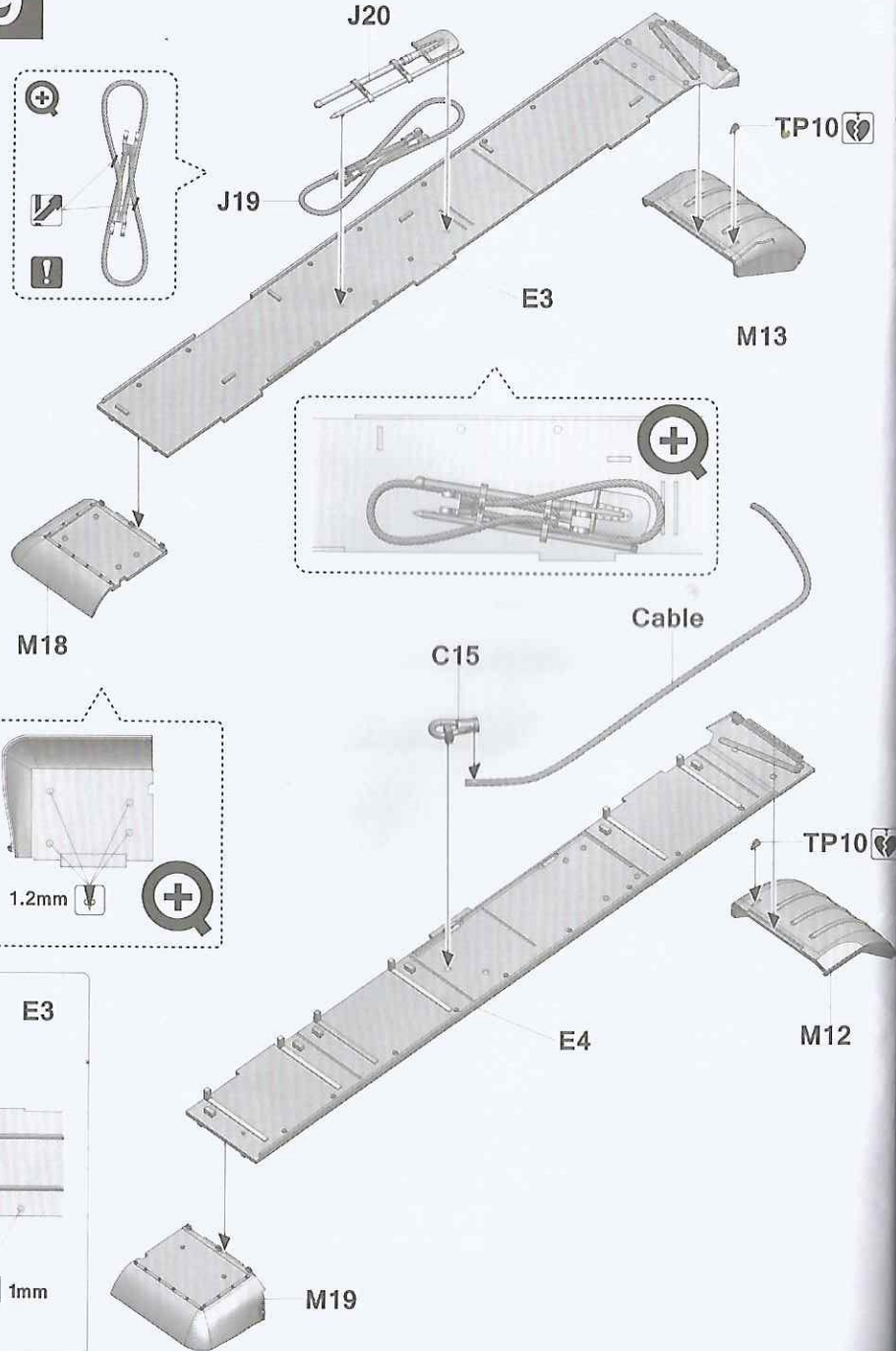
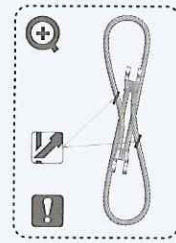


8

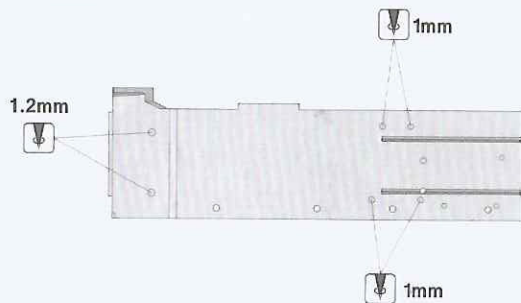
8



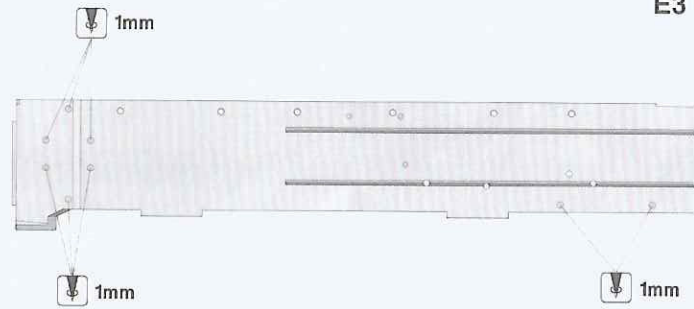
9

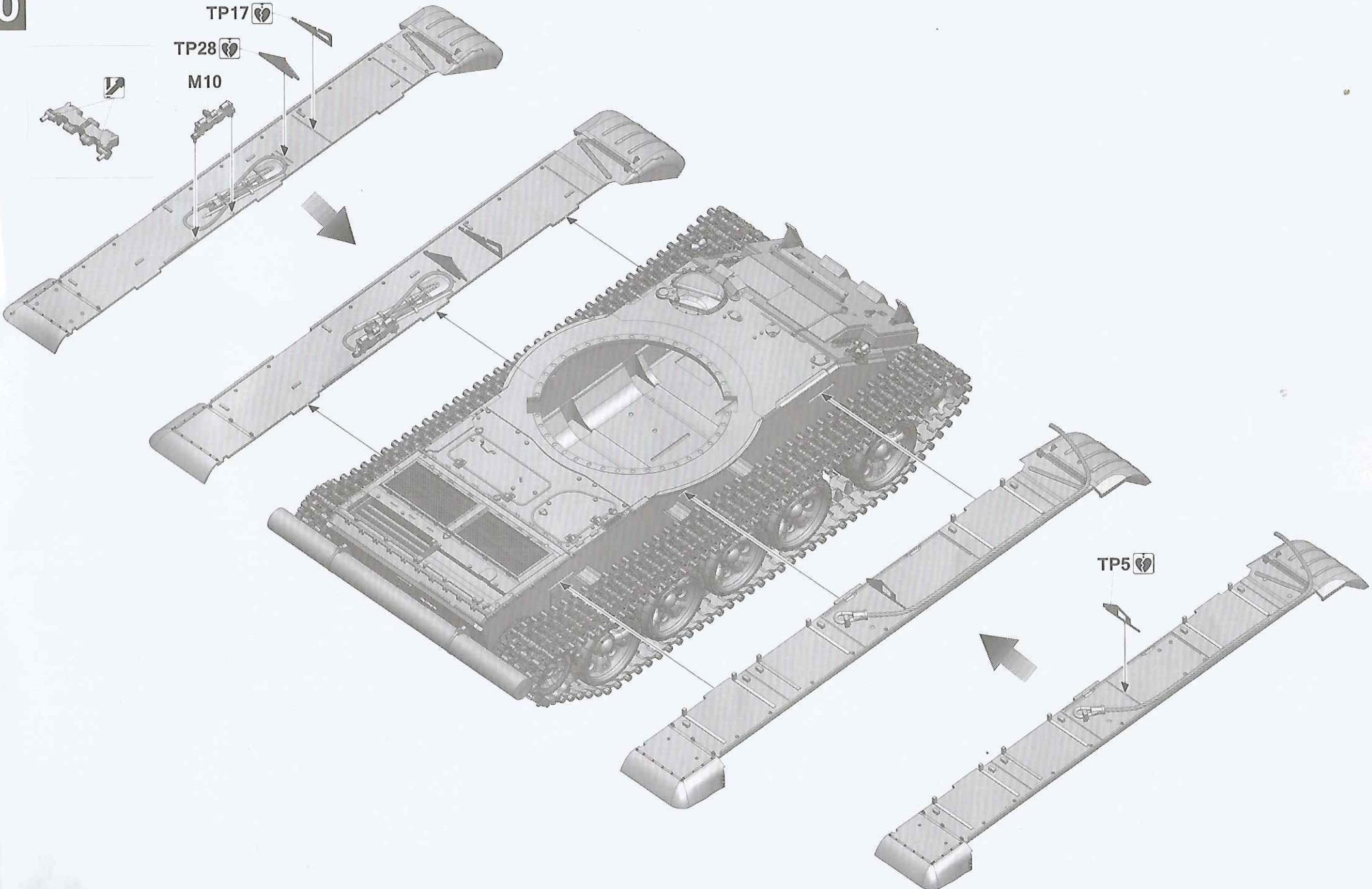


E4

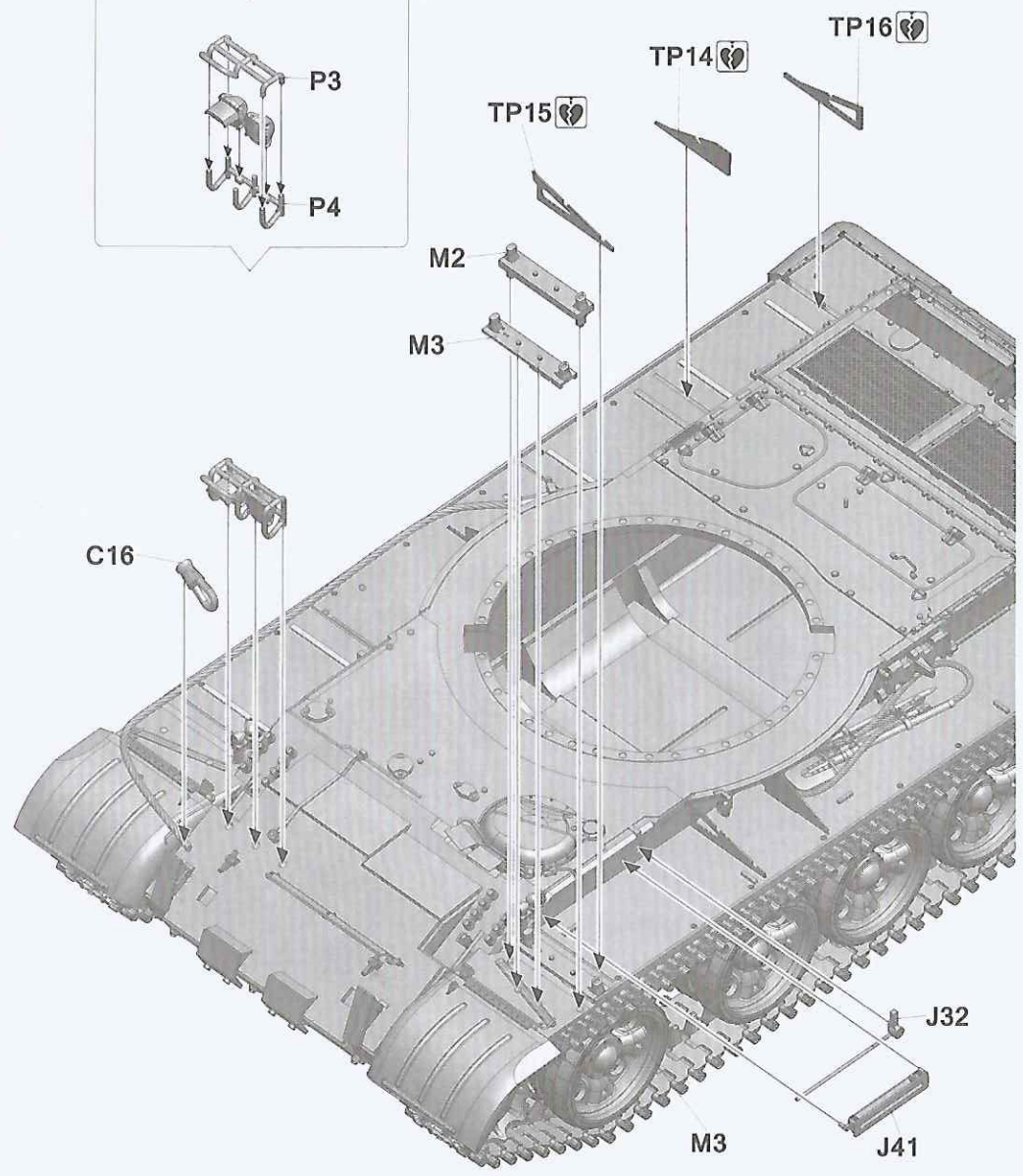
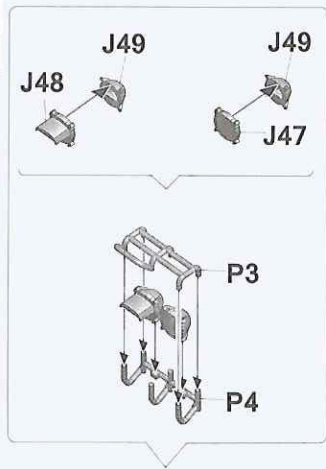


E3

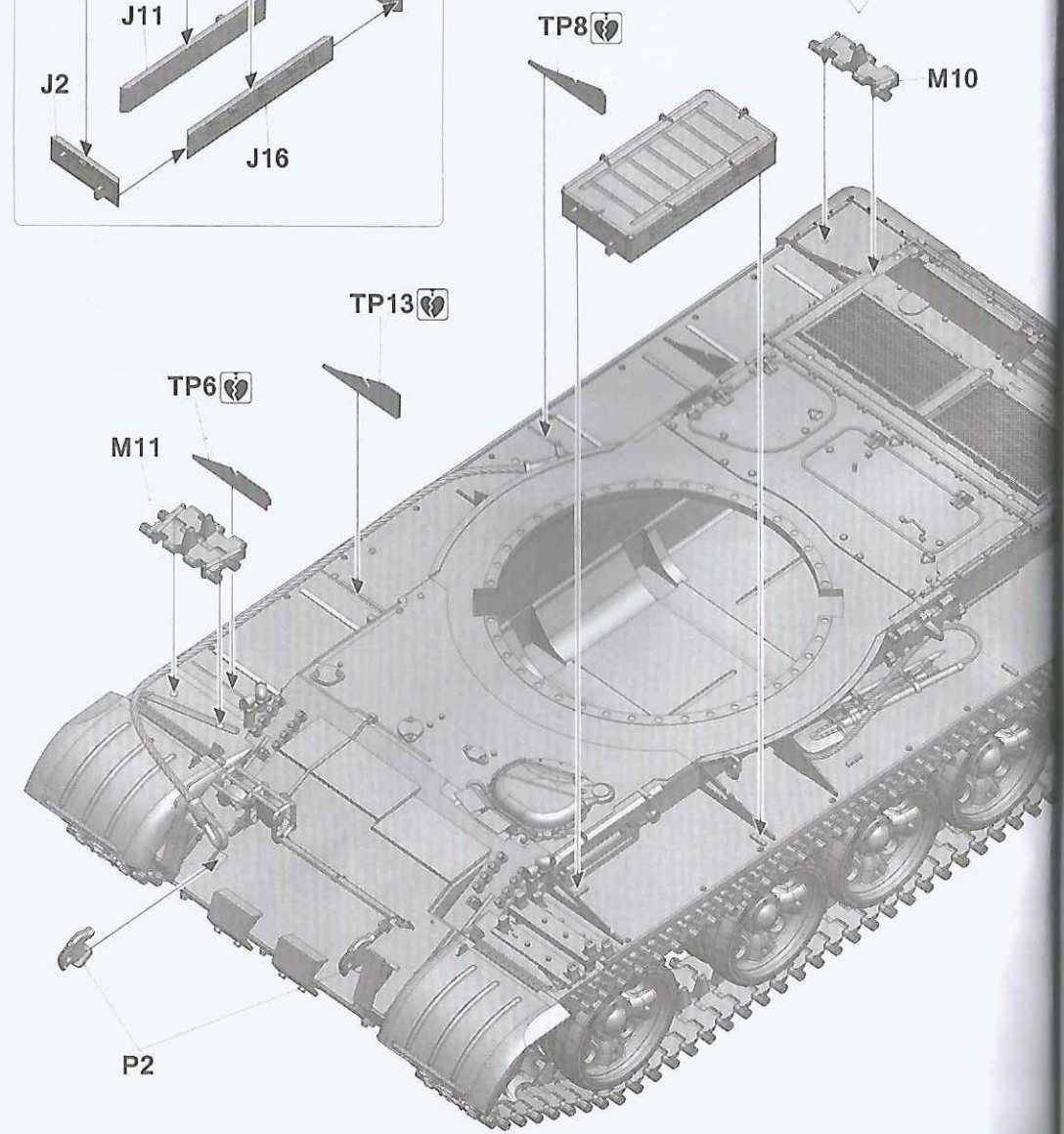
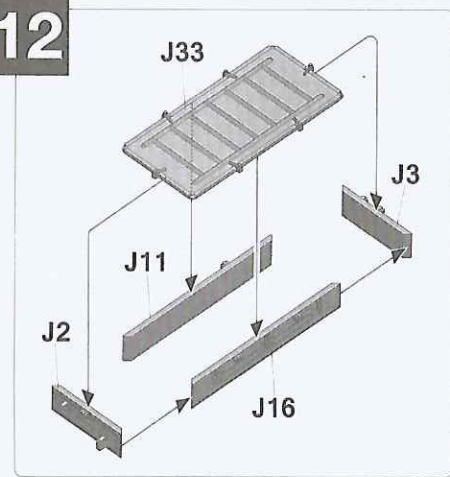


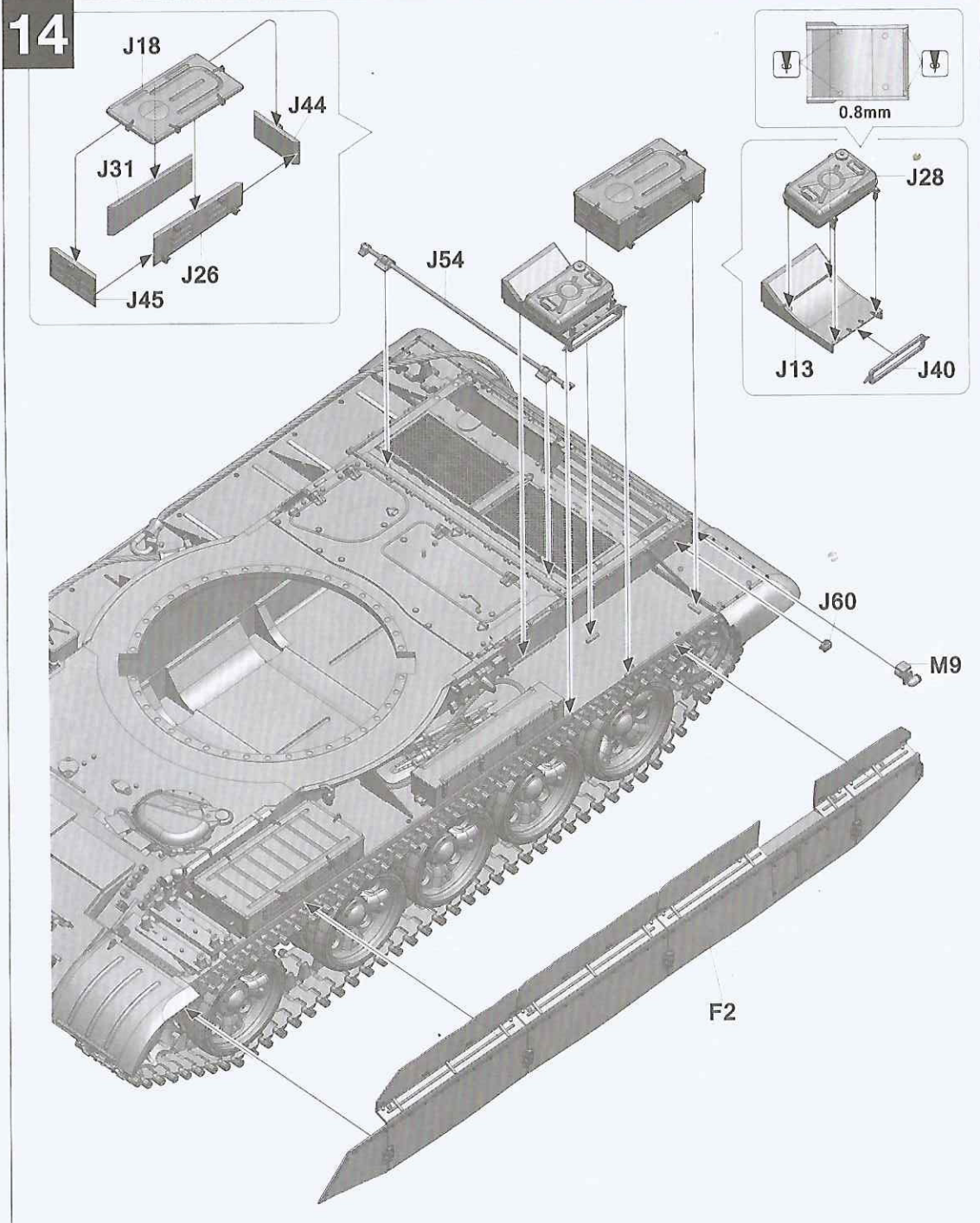
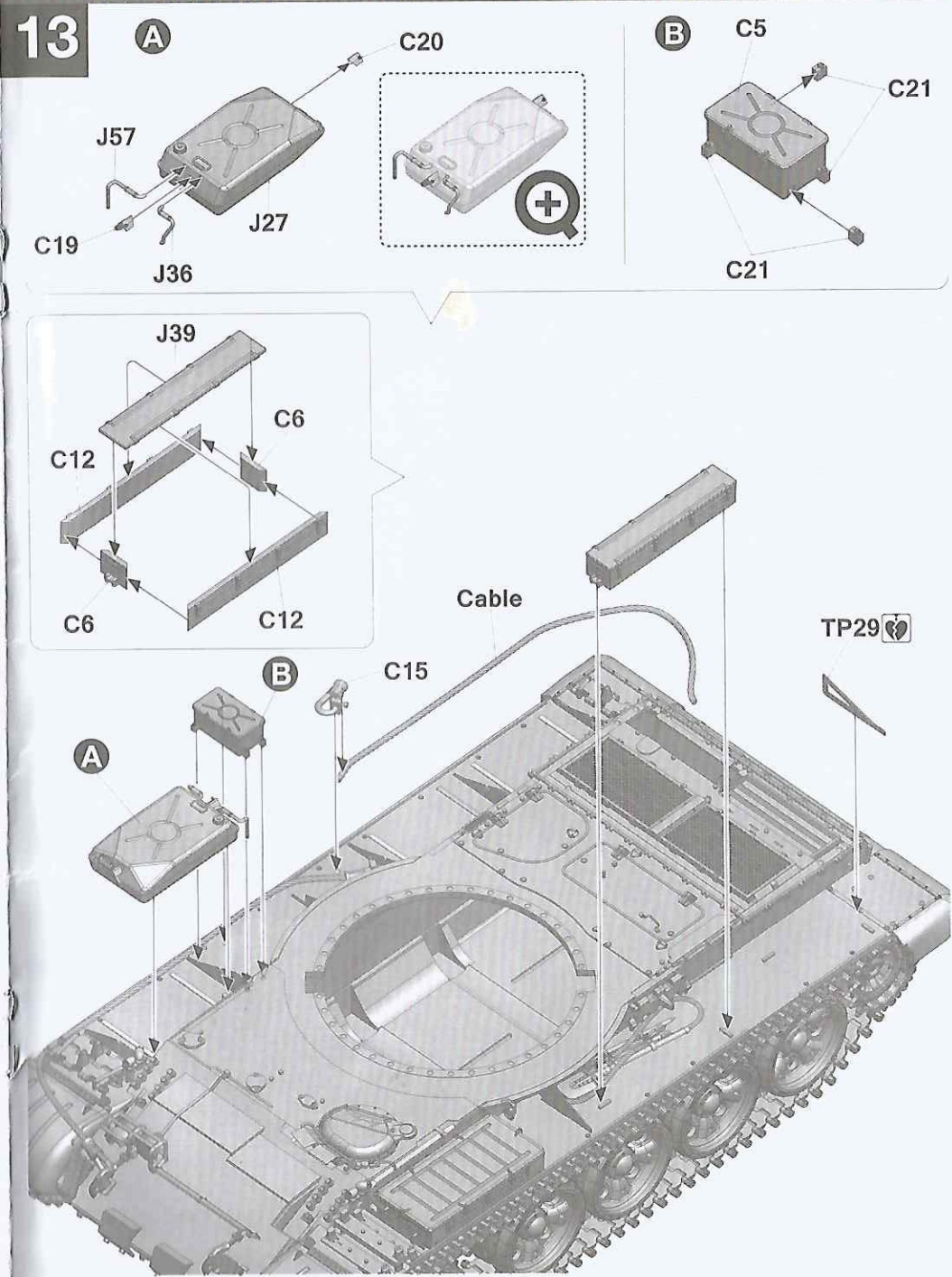


11

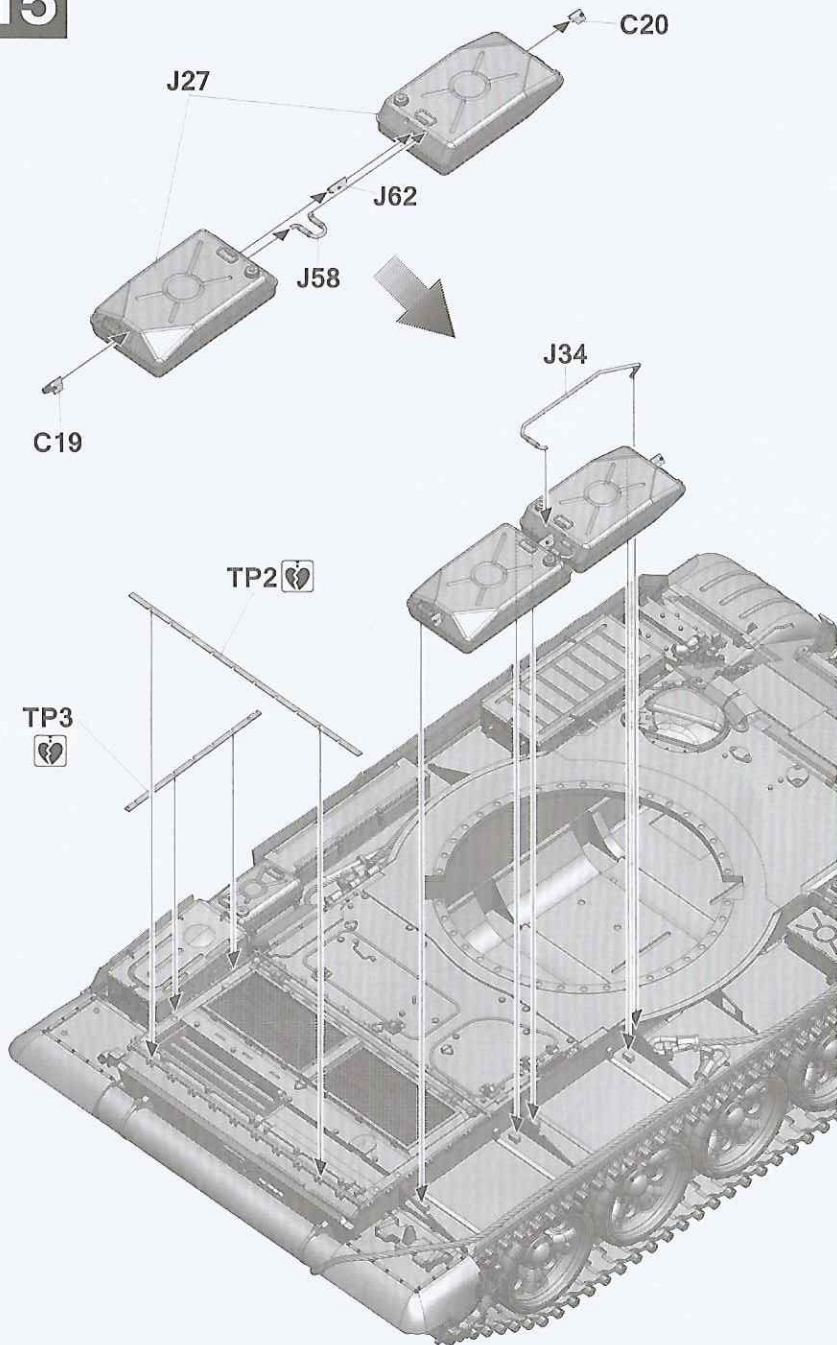


12

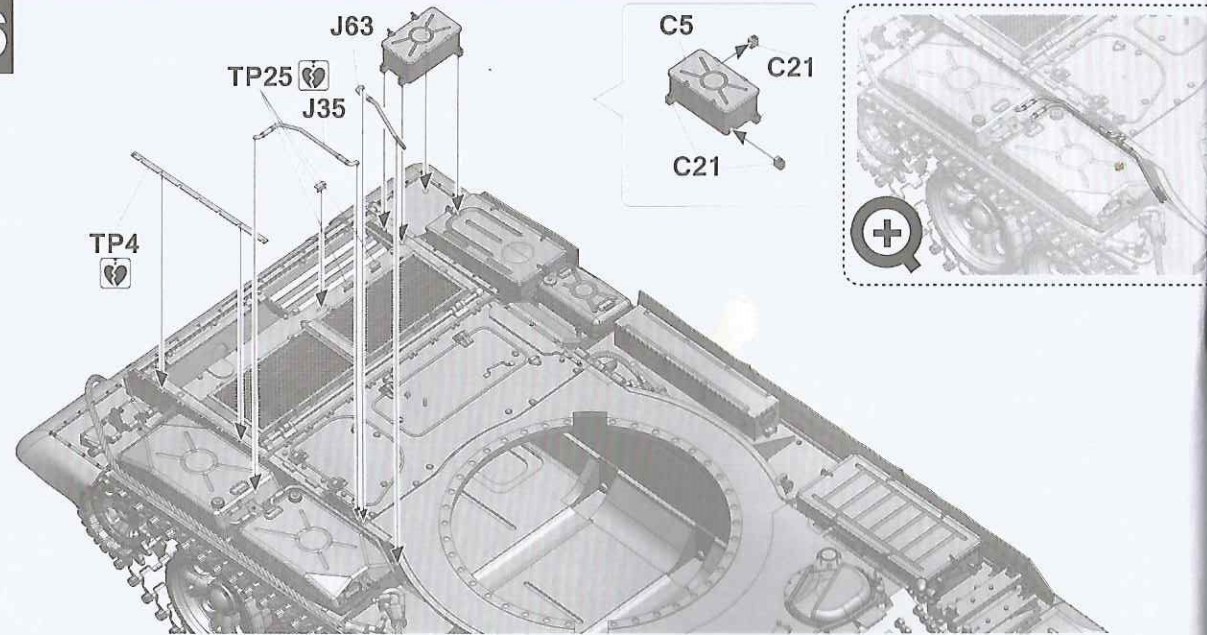




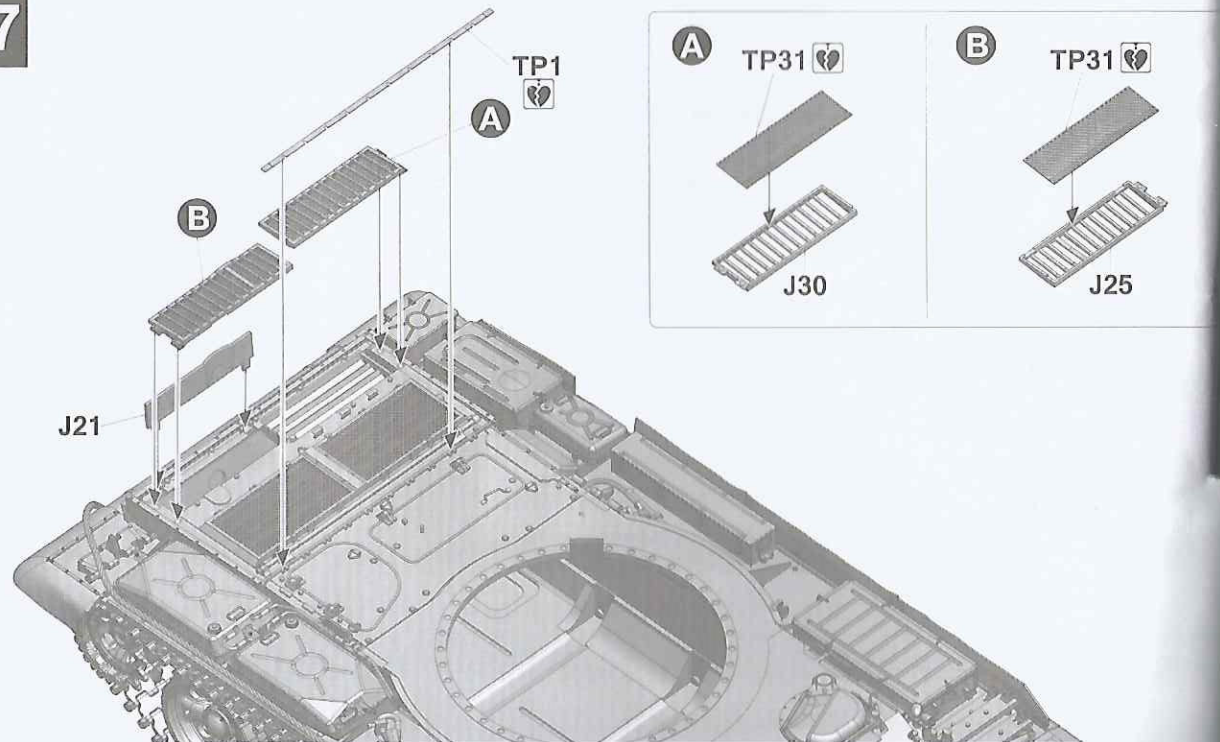
15



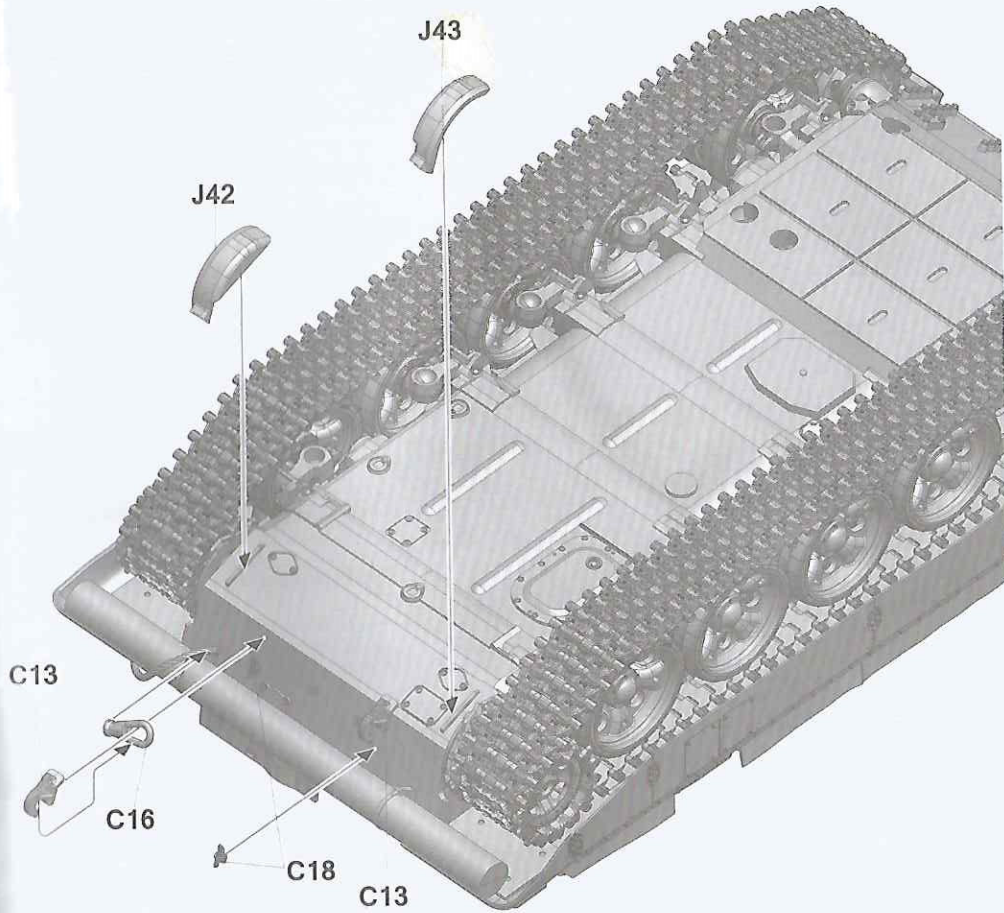
16



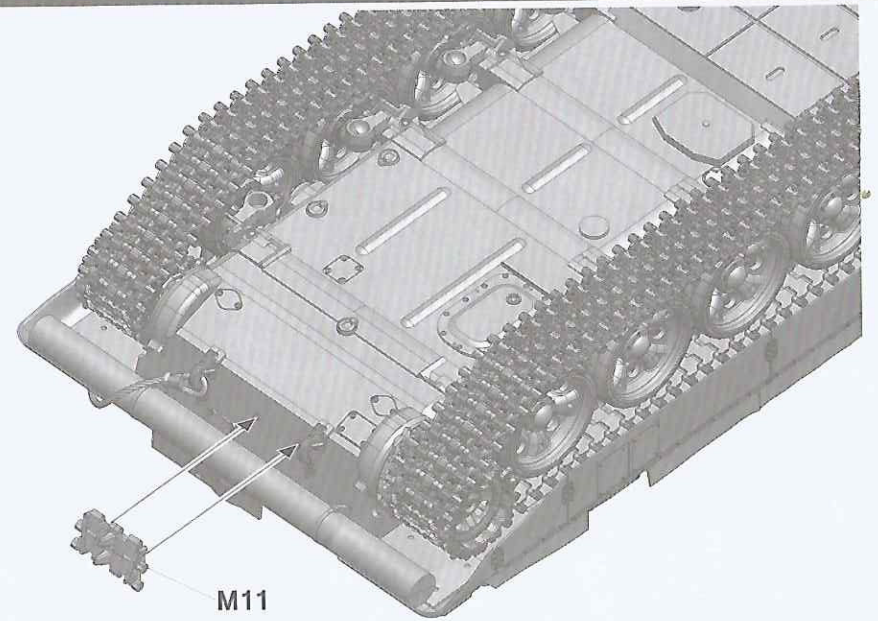
17



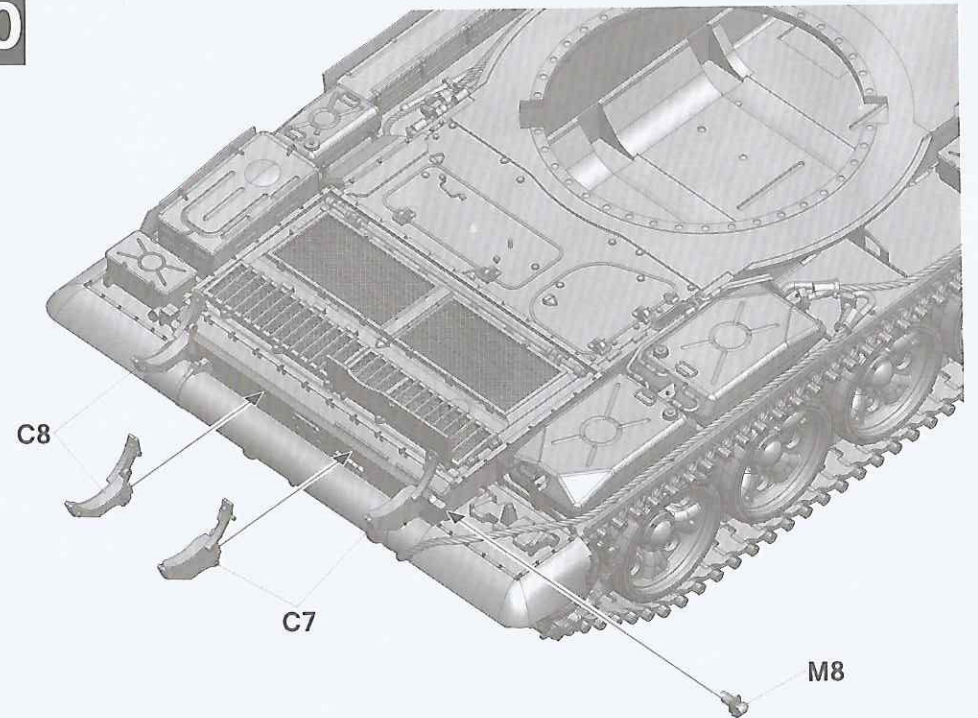
18



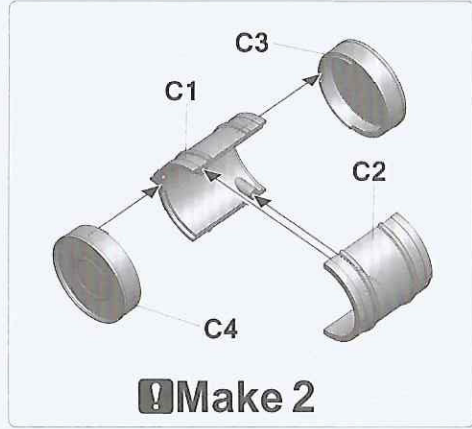
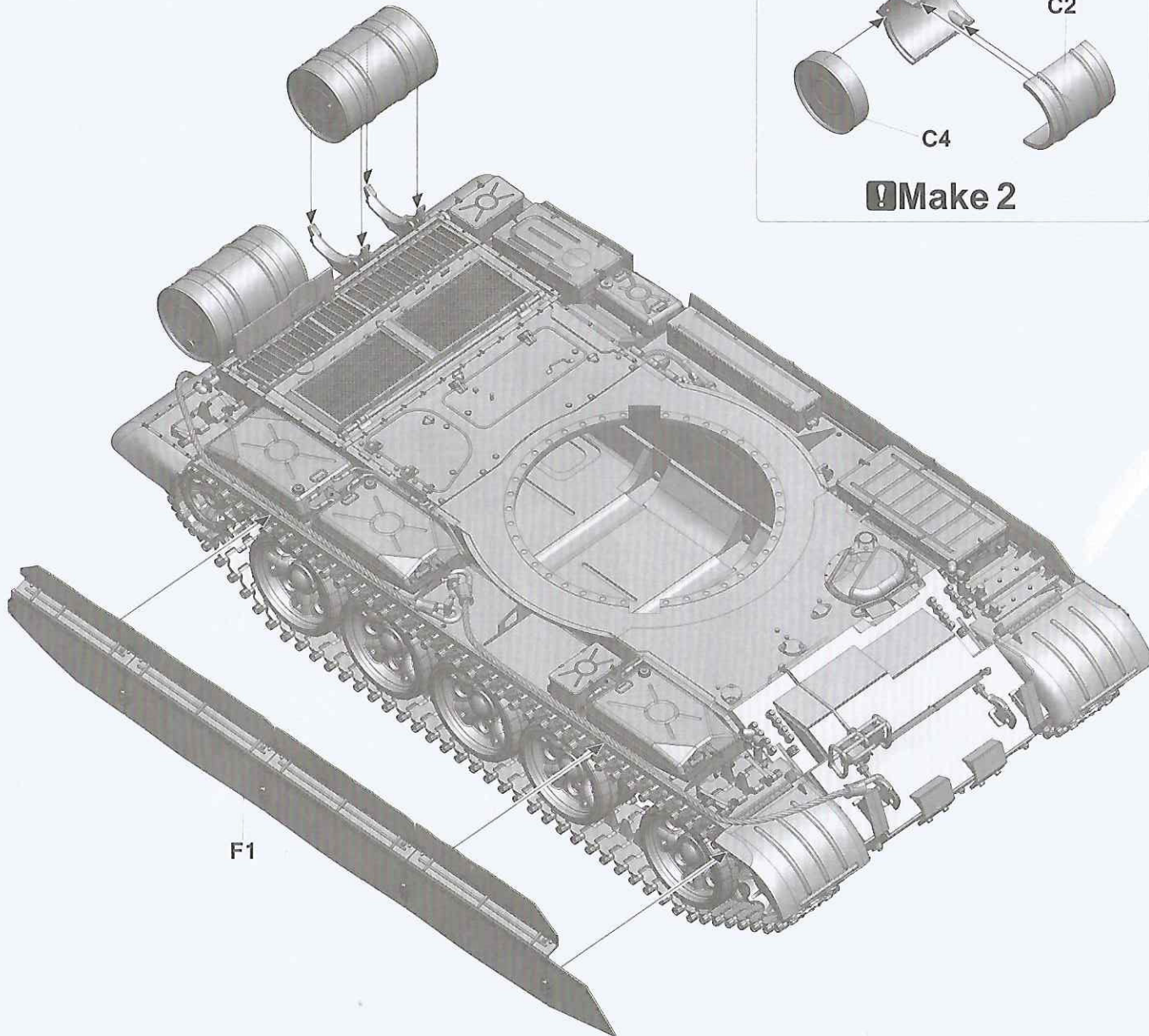
19



20

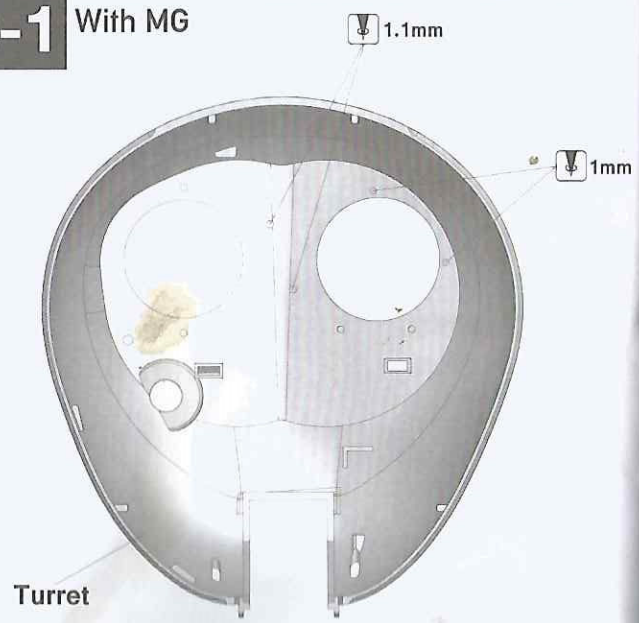


21



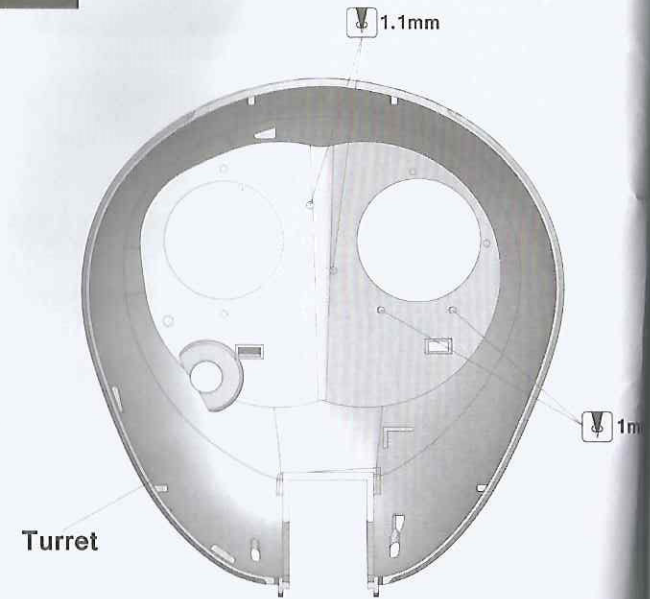
22-1

With MG

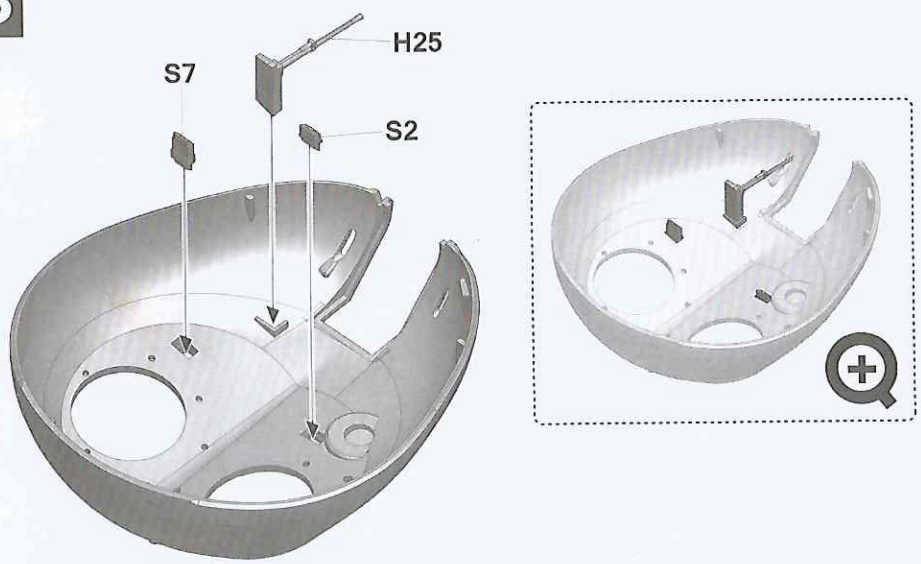


22-2

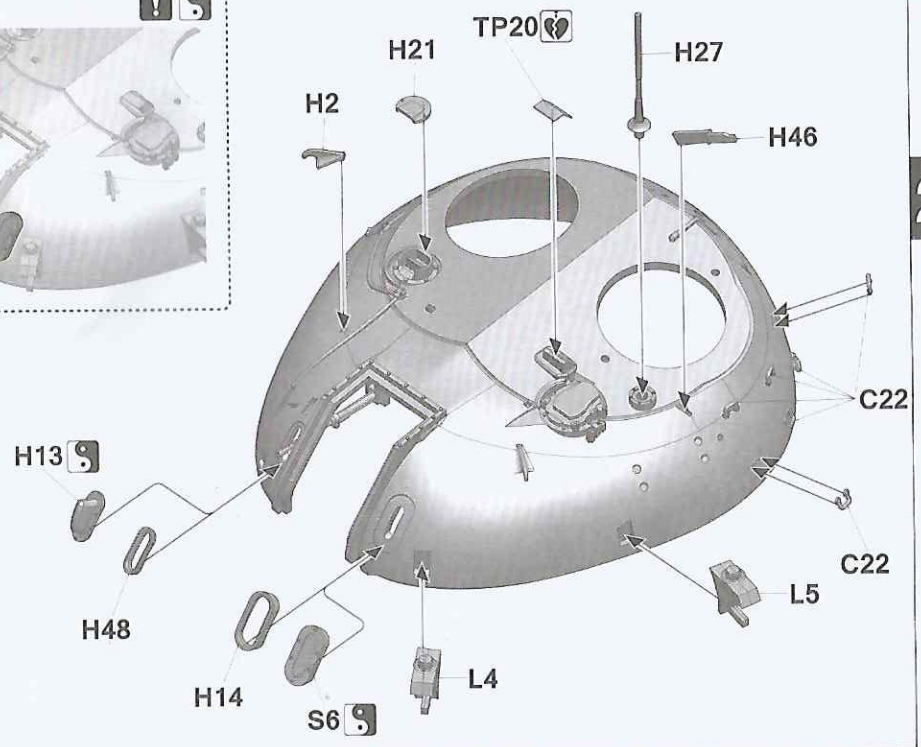
Without MG



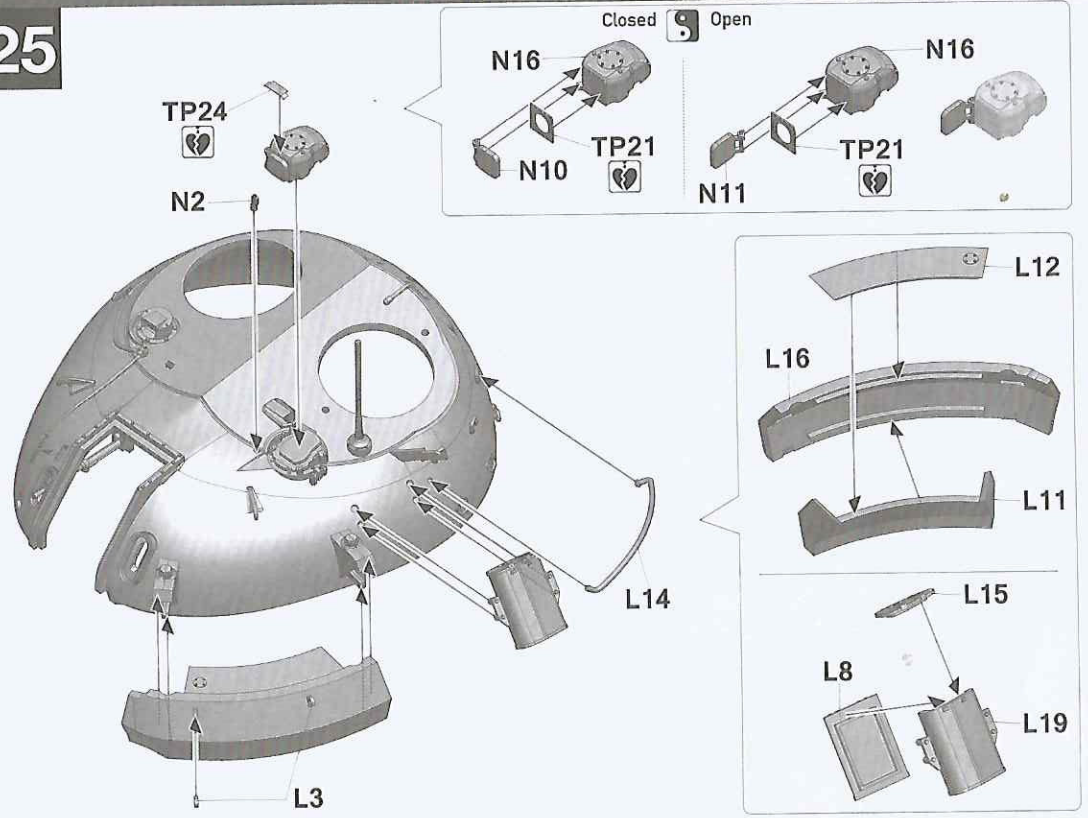
23



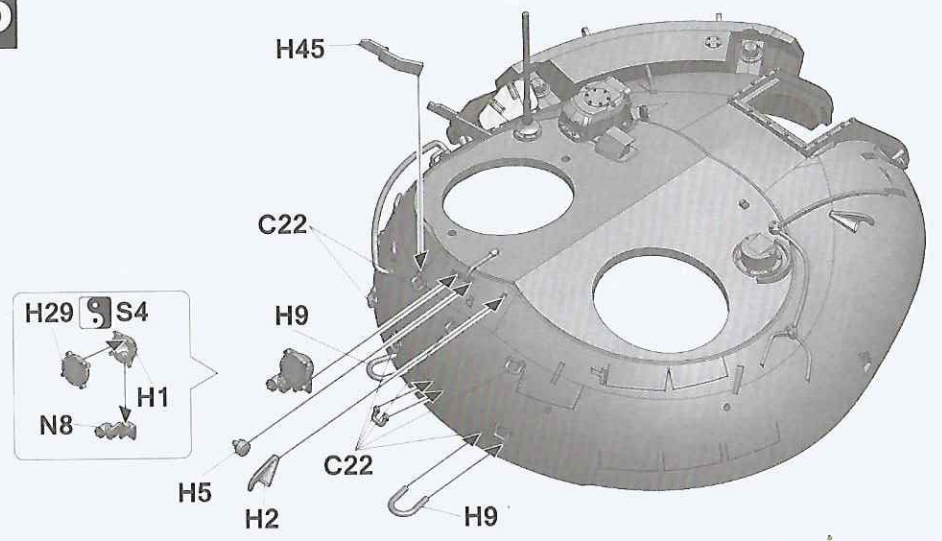
24



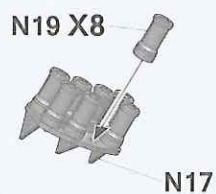
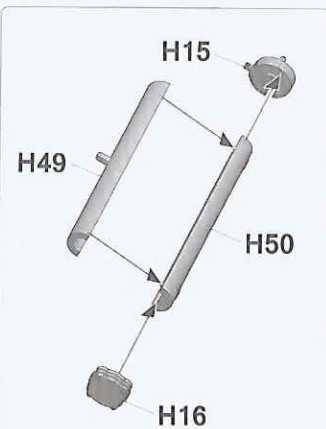
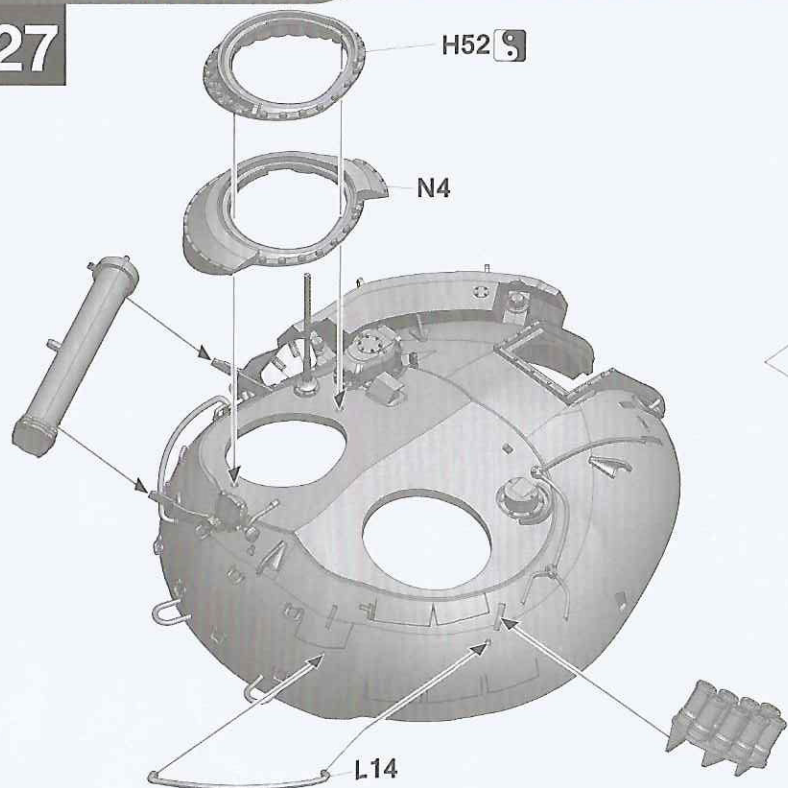
25



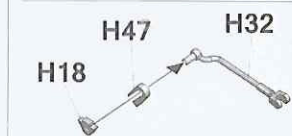
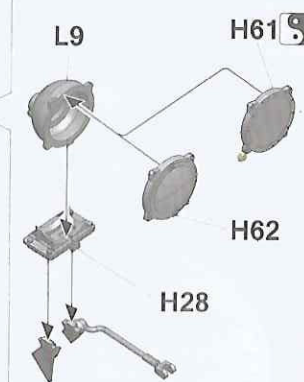
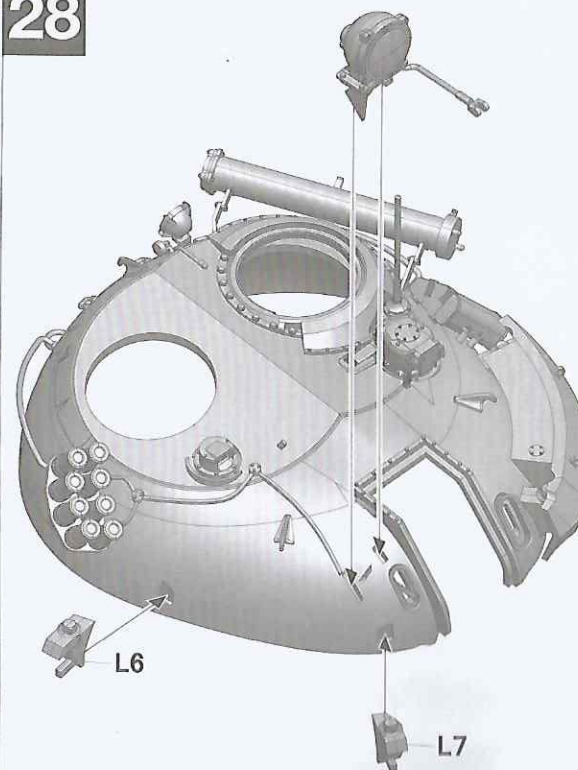
26



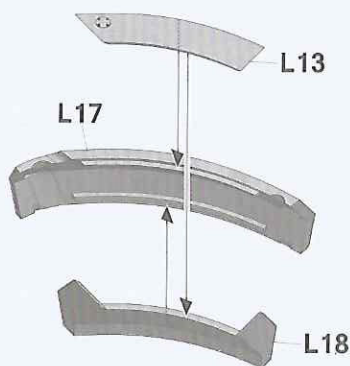
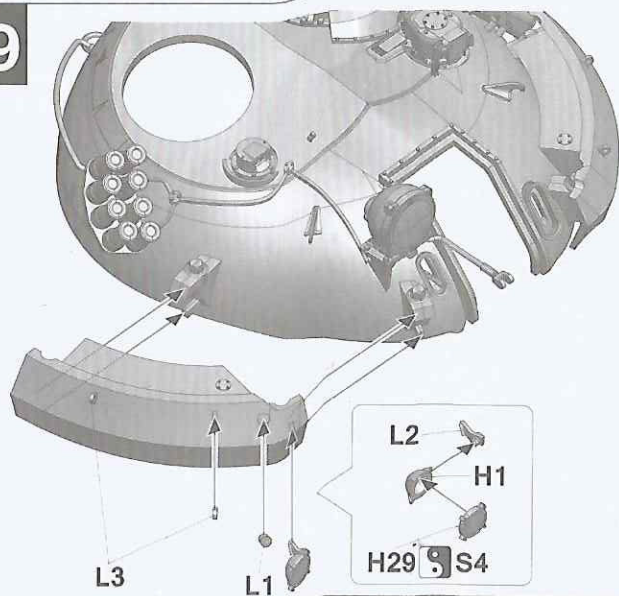
27



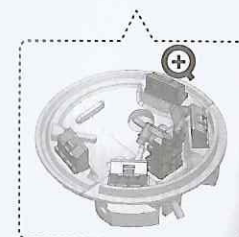
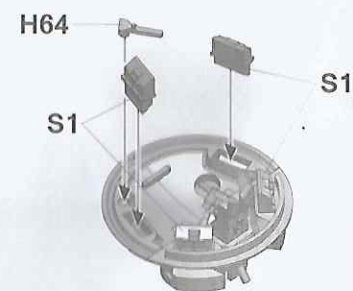
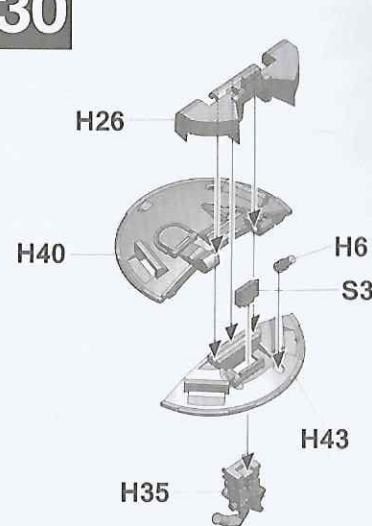
28



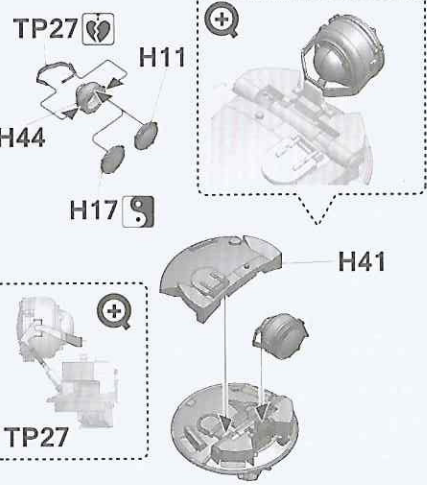
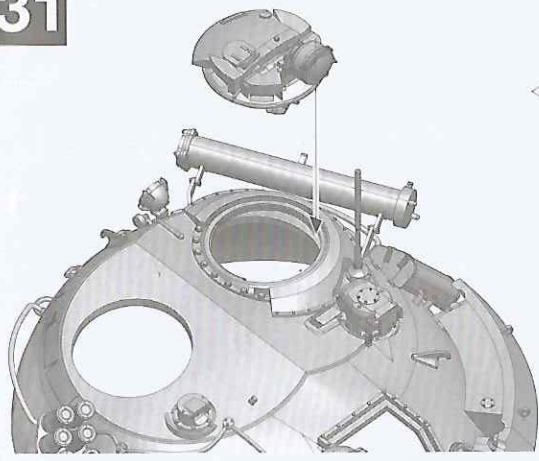
29



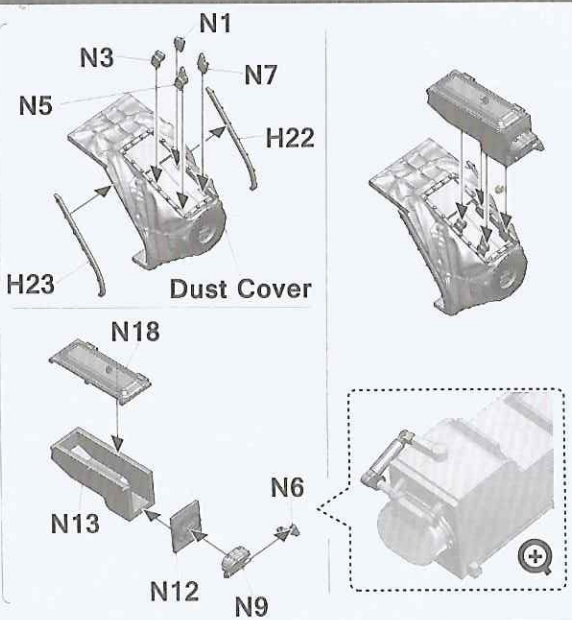
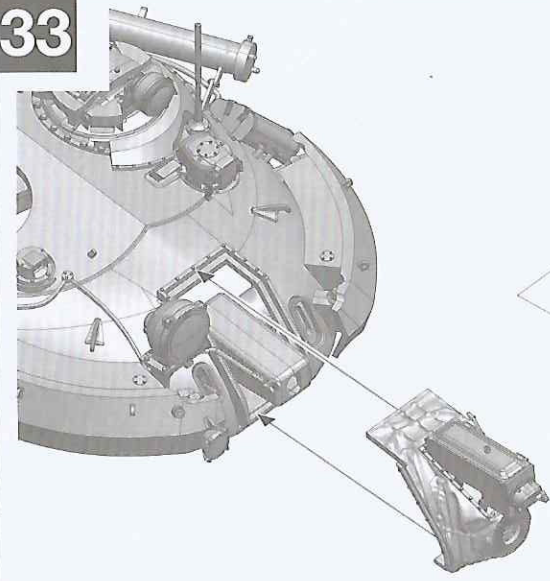
30



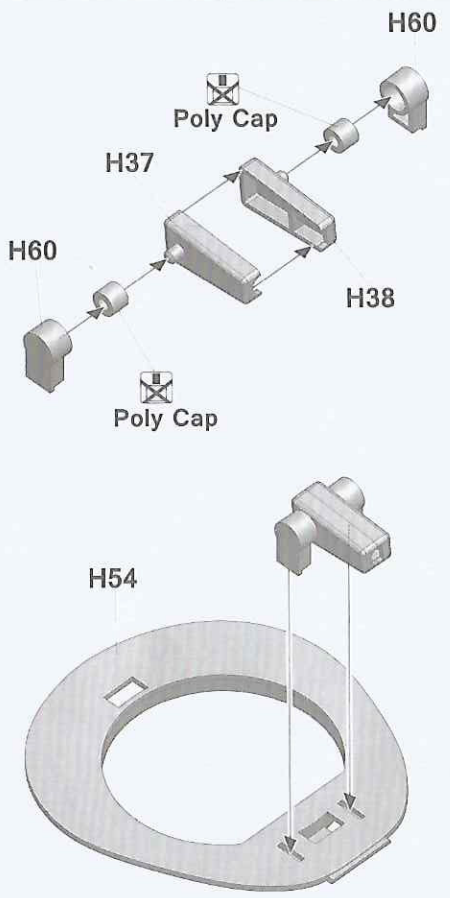
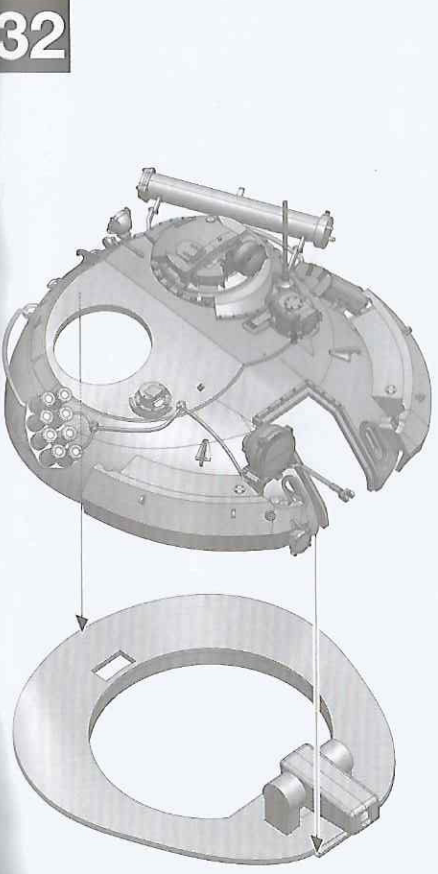
31



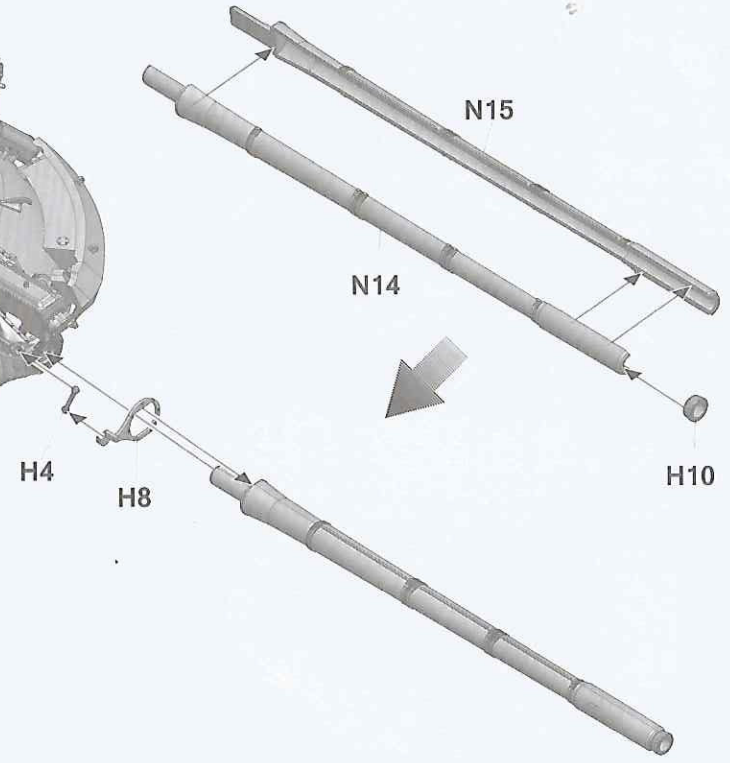
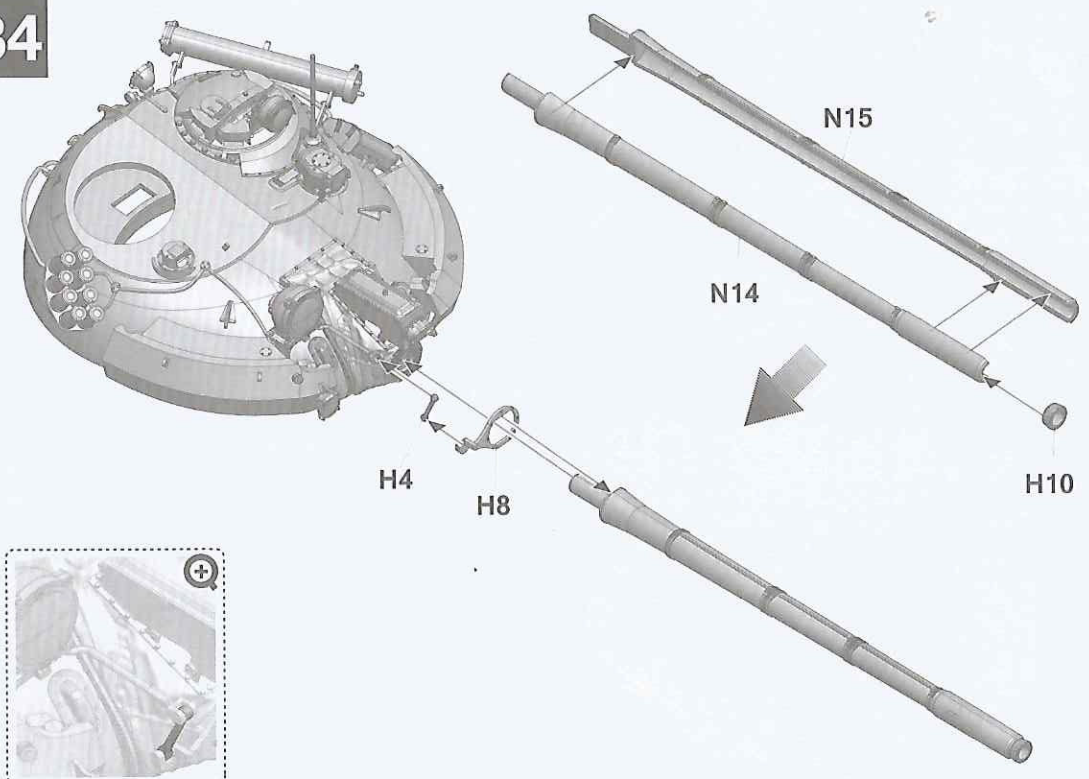
33



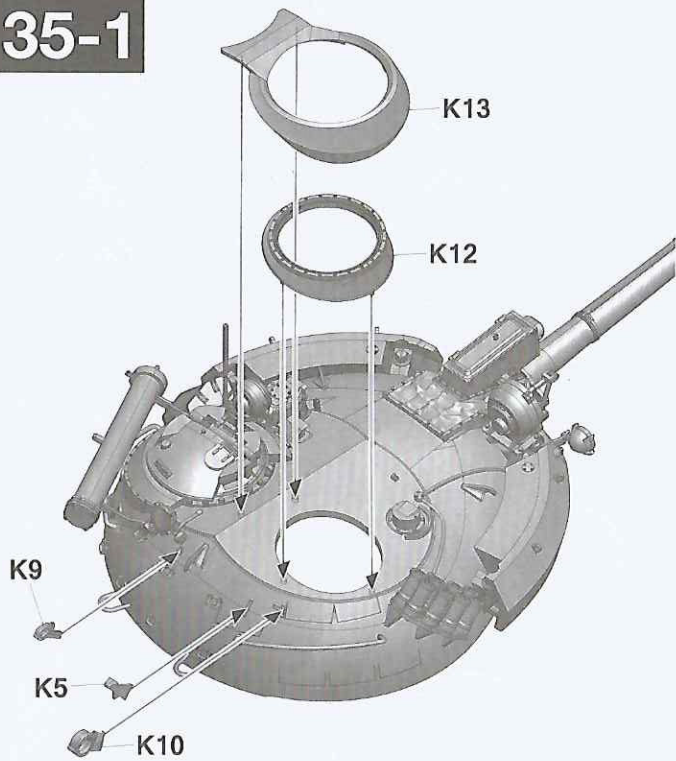
32



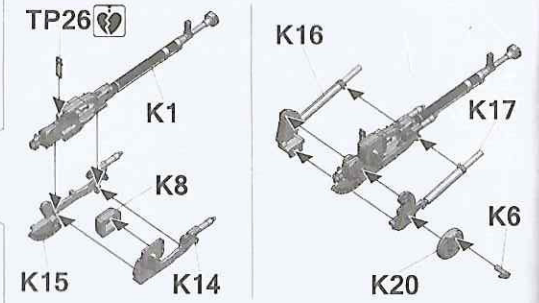
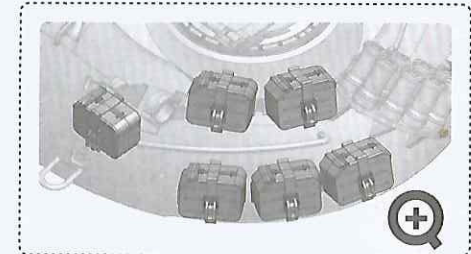
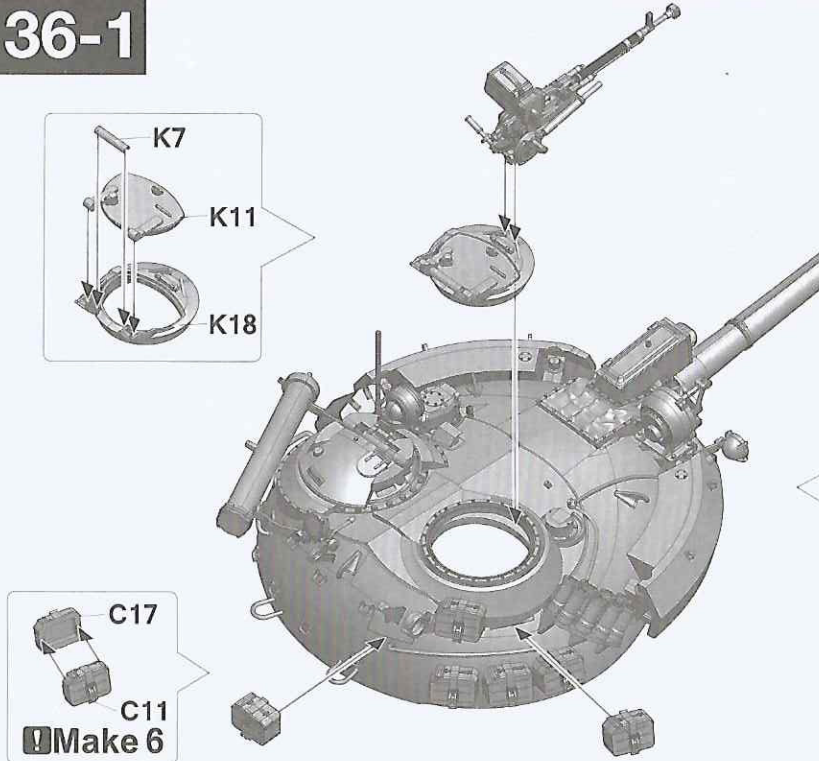
34



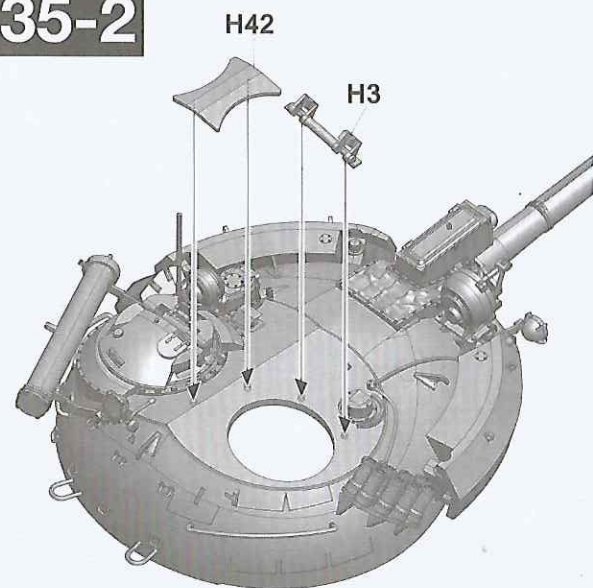
35-1



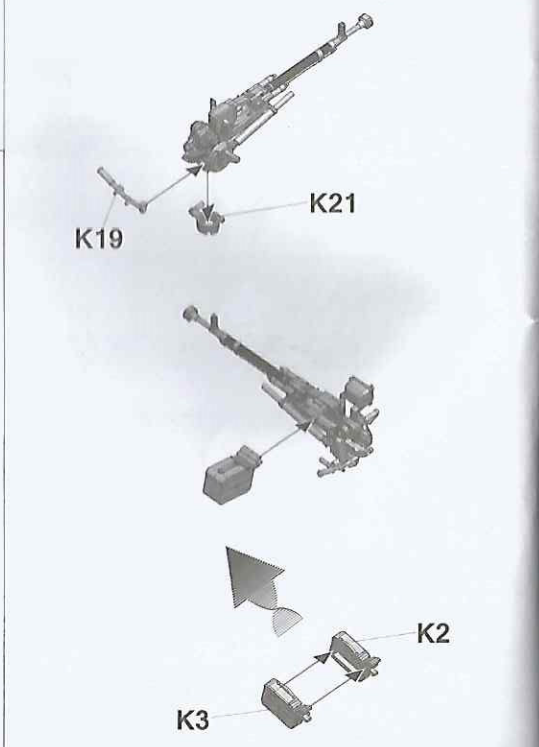
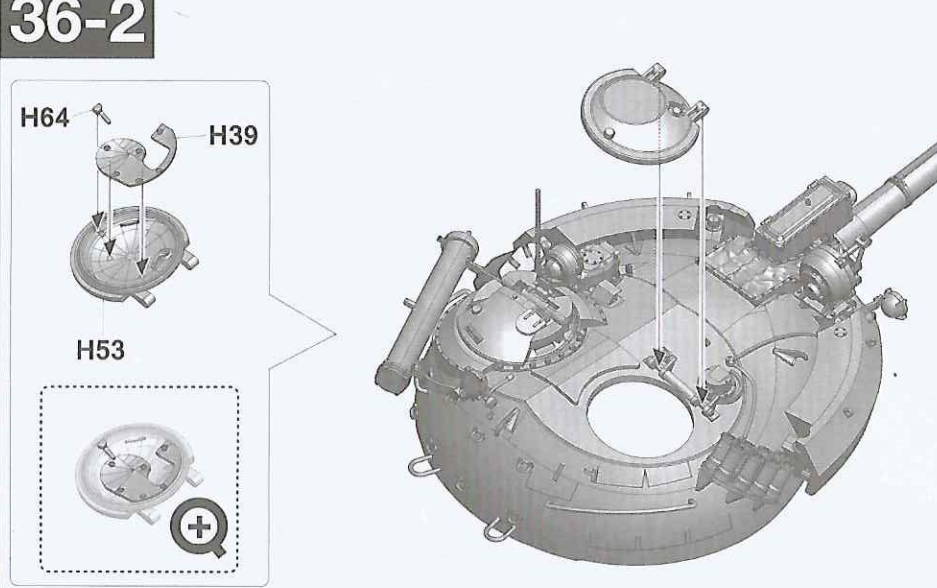
36-1



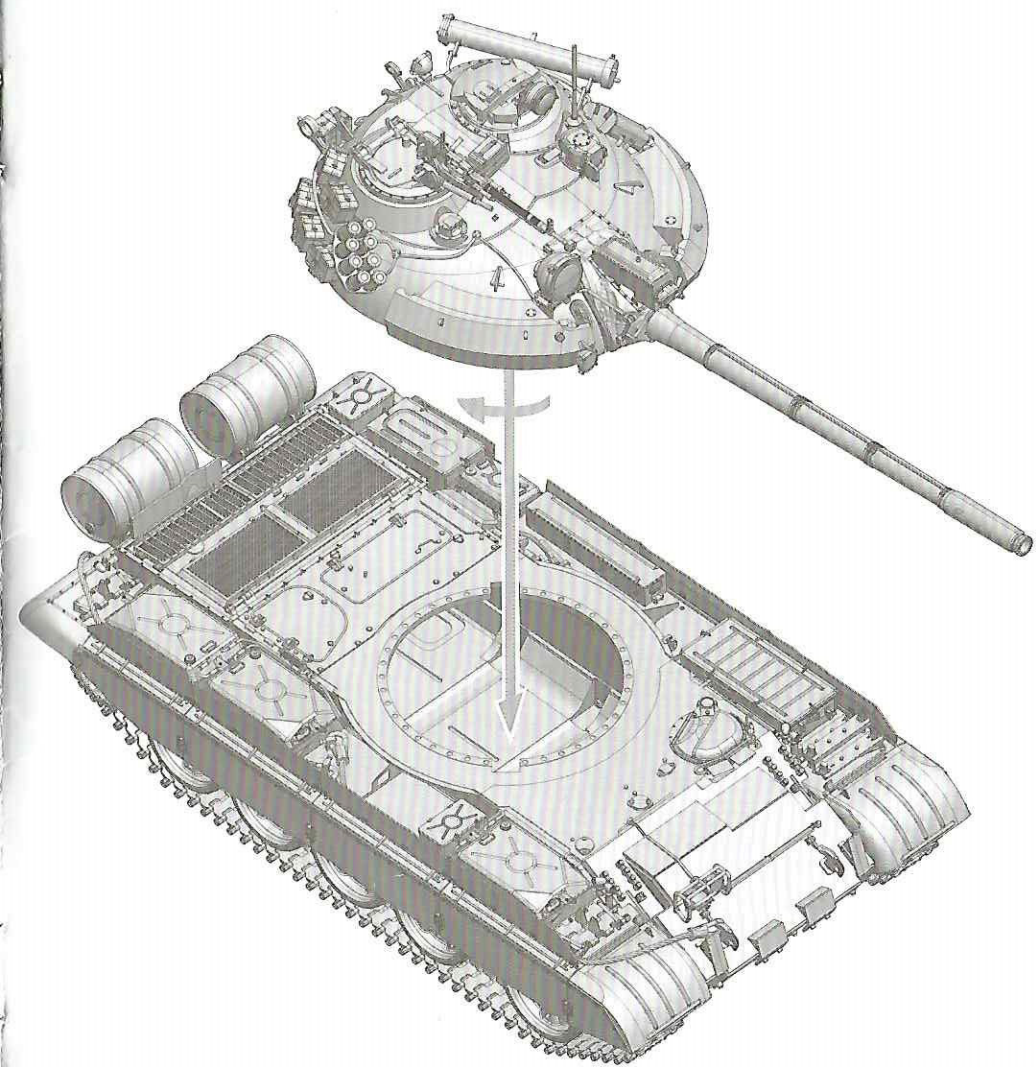
35-2



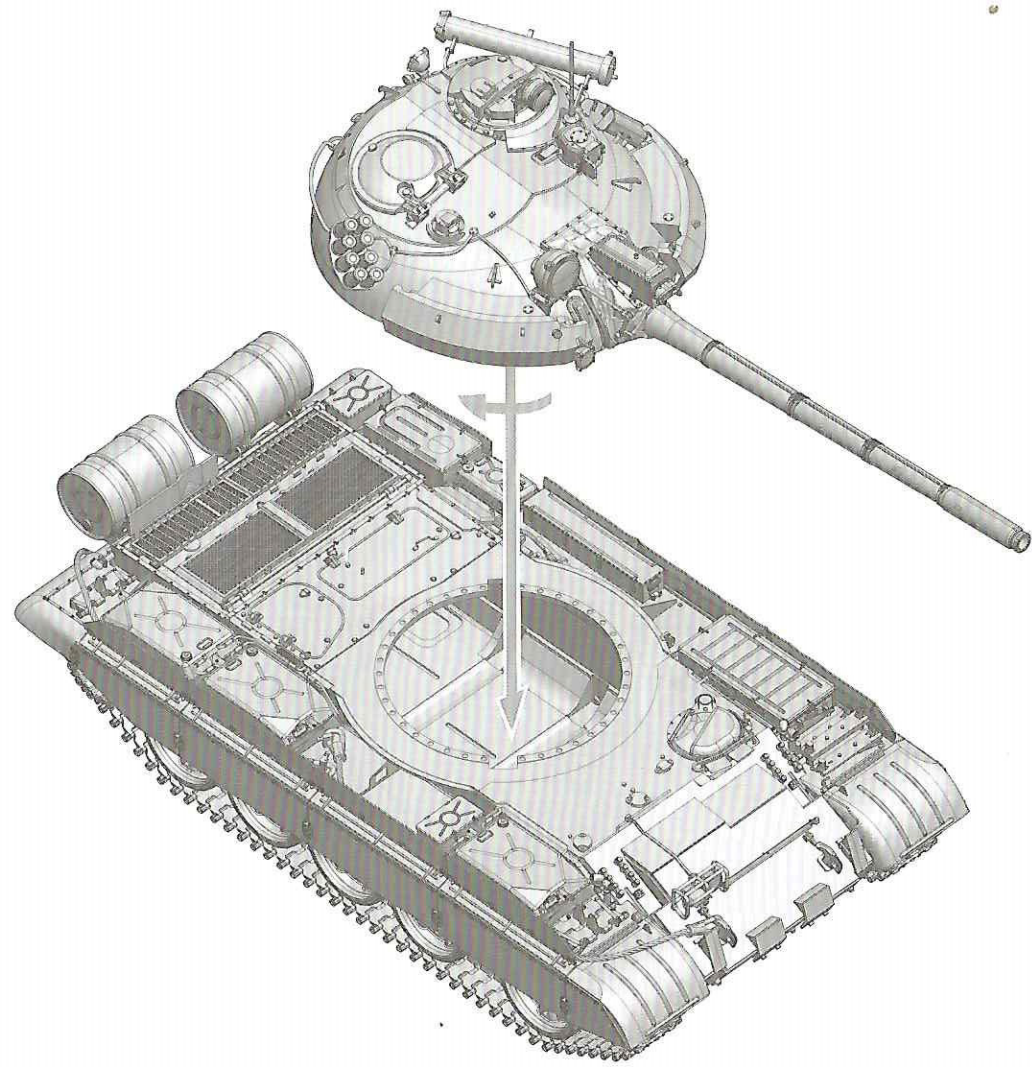
36-2



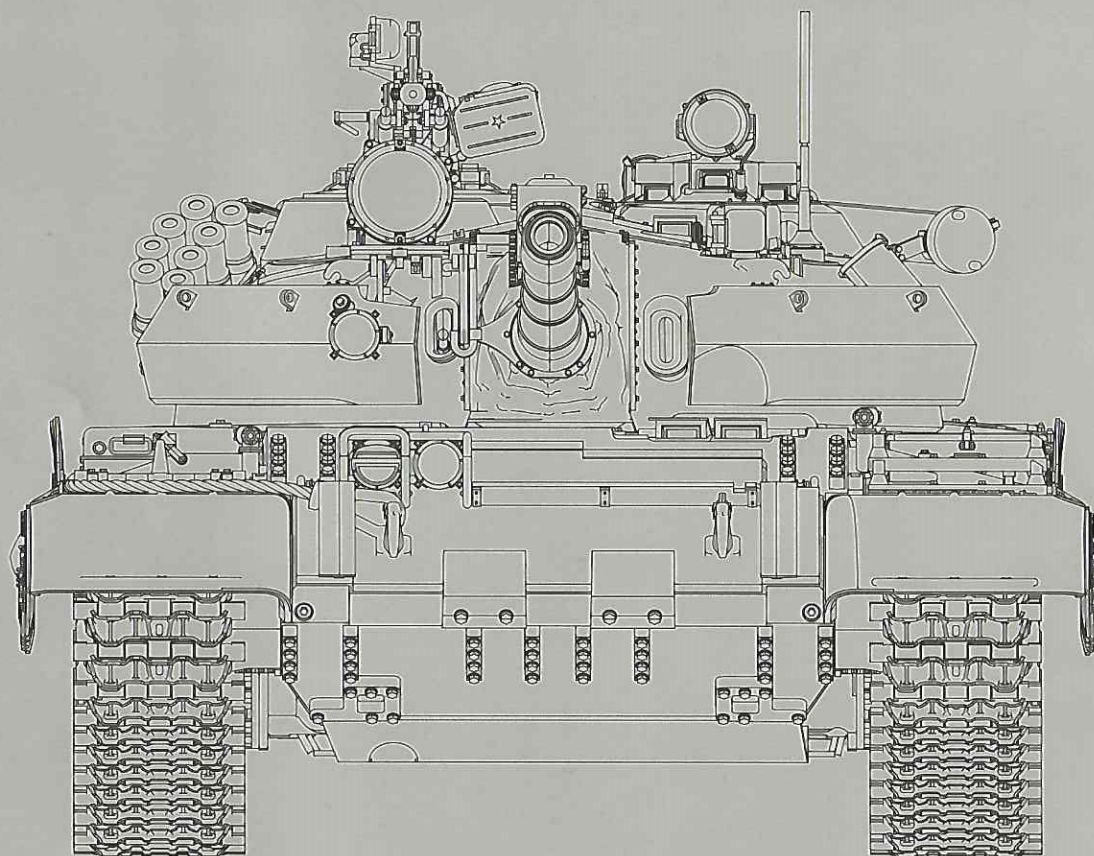
37-1



37-2



2016/2041



You can find TAKOM on Facebook.com

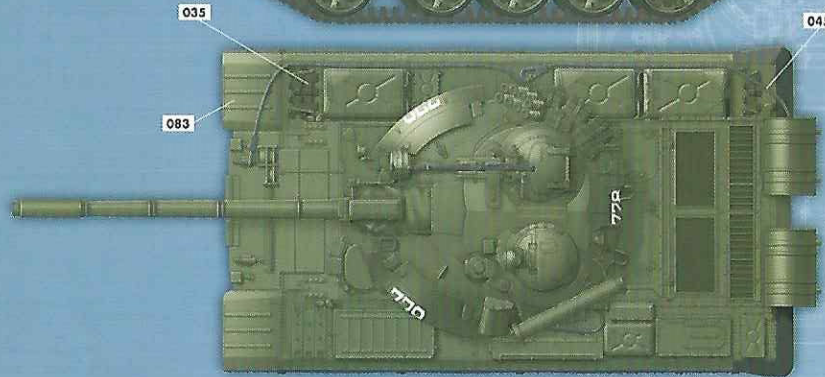
T-55 AM

Painting and Marking Guide

A.MIG 033 Rubber & Tires A.MIG 035 Dark Tracks A.MIG 038 Light Wood A.MIG 045 Gun Metal

A.MIG 095 Crystal Smoke A.MIG 083 Russian Postwar Green KHV 518

Angolan Armed Forces



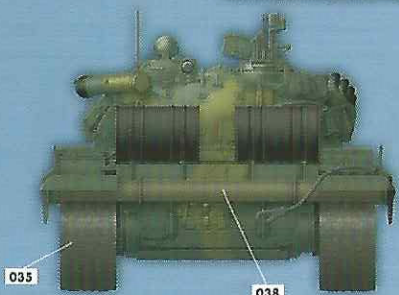
T-55 AM

Painting and Marking Guide

A.MIG 033 Rubber & Tires A.MIG 035 Dark Tracks A.MIG 038 Light Wood A.MIG 045 Gun Metal

A.MIG 095 Crystal Smoke A.MIG 932 Russian Base A.MIG 058 Cuban Green A.MIG 048

Cuban Army





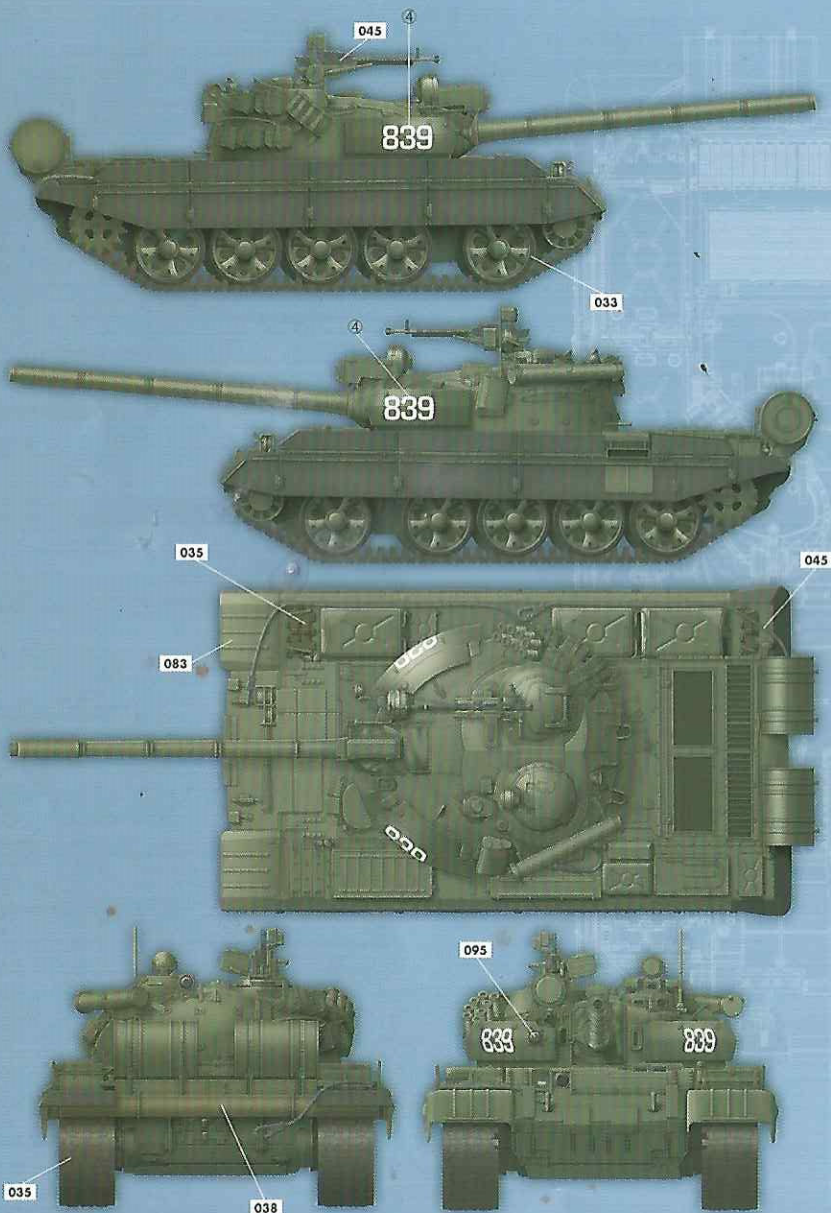
T-55 AM



Painting and Marking Guide

- A.MIG 033 Rubber & Tires
- A.MIG 035 Dark Tracks
- A.MIG 038 Light Wood
- A.MIG 045 Gun Metal
- A.MIG 095 Crystal Smoke
- A.MIG 083 Russian Postwar Green KHV 518

Russian Army



T-55 AM



Painting and Marking Guide

- A.MIG 033 Rubber & Tires
- A.MIG 035 Dark Tracks
- A.MIG 038 Light Wood
- A.MIG 045 Gun Metal
- A.MIG 095 Crystal Smoke
- A.MIG 051 Light Green KHV 553M
- A.MIG 083 Russian Postwar Green KHV 518

Russian Marines (Morskaya Pekhota)

