

EA-18G Growler

EA-18G グラウラー 美国EA-18G “咆哮者” 战斗机

PLEASE READ BEFORE OPERATION!

* Tools recommended as below: (Not included)

Adhesives; Paints; Side Cutters; Sharp Edged Pliers; Modeling Knife; Modeling File; Nippers; Drill; Scissors; Sand Paper; Soft Cloth; Cyanoacrylate Glue.

* Make sure to read this instruction listed below before assembling.

* The kit contains the small parts, they can be dangerous if swallowed by mistake, so keep them away from reach of children.

* Cut the all parts off carefully and remove the waste parts into the garbage can.

* More caution and care should be needed for cutting and handling the photo etched parts.

* Make attention that some parts should be attached the decal when assembled.

* During assembling, please tear up and throw away the plastic bags, or may cause the dangerous if wearing over head by children's mistake.

* When using the adhesives and paints, please do not use them in the closed room or near the fire, also must be very careful to protect your eyes, face and clothes.

* Adult supervised when assembled by children under 14 years old.

* 说明书中含有重要信息，应保留。 Please Keep instruction since it contains important information.

装配前请仔细阅读：

* 推荐使用的模型工具(请自备)：

专用模型胶水，专用模型油漆，水口剪刀，长咀钳，刀片，锉刀，镊子钳，钻，剪刀，软布，砂纸，瞬间快干胶等。

* 用水口剪刀或刀片小心切下所有塑胶零件和蚀刻片零件，不要遗失小零件。

* 切取蚀刻片时应特别注意防止利边划伤手指。

* 用模型锉刀小心锉平所有零件表面的注射浇口。

* 用适量的强力快干胶水粘合蚀刻片零件和金属轴，切忌过量，否则可能导致可动零件被粘住。

* 注意某些零件表面需在装配时同步贴水上贴纸。

* 制作时应远离幼儿并将包装袋及时收妥，谨防小孩玩耍而引起意外。

The method to apply the decals

1. Cut off the decal from the decal paper and put it into the warm water 40℃ for 10 seconds.
2. Take the decal from the water and put it on a piece of clean cloth.
3. Remove the decal slowly from the paper to the targeted location by a wet finger.
4. Use a piece of dry and soft cloth to press it gently on the decal until it getting dry and no bubble existing.

水贴纸的使用方法：

- 一. 把相关的印花从水贴纸上剪下，放入40℃左右的温水中浸10秒。
- 二. 然后将印花放在干净的布上。
- 三. 拿上印花纸板，手指蘸水将印花移到适当的位置。
- 四. 用软干布轻压印花直至水干，气泡消失。



强力胶

Cyanoacrylate glue



配重

Weight



钻孔

Make hole



切除

Cut/Remove



选择

Option



不涂胶水

No cement



贴纸

Decal



弯曲

Bend



填补

Repair



先装

Install it first

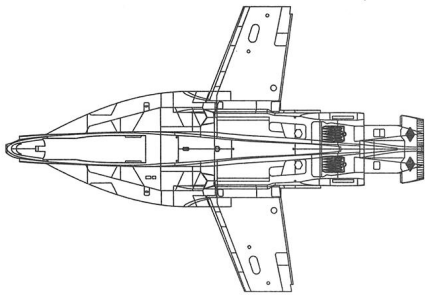


锉平

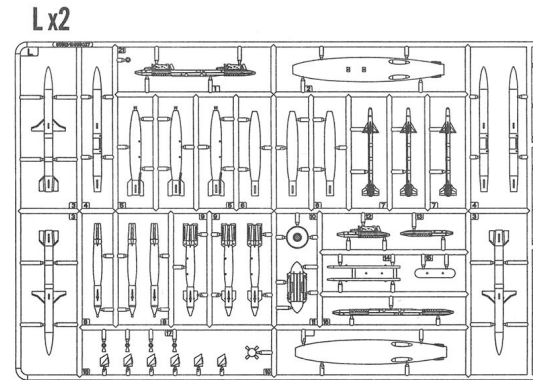
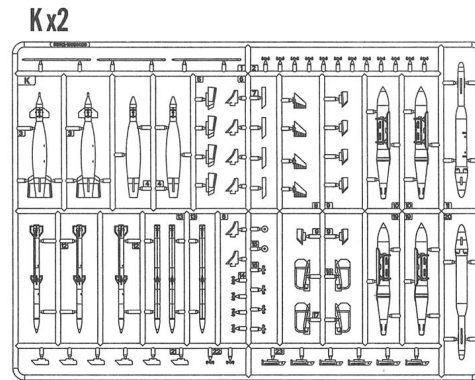
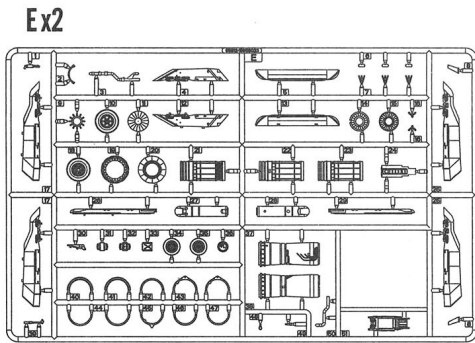
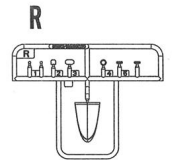
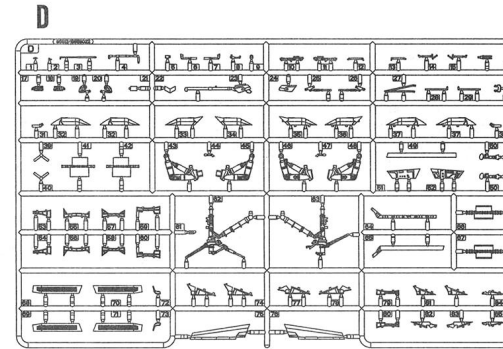
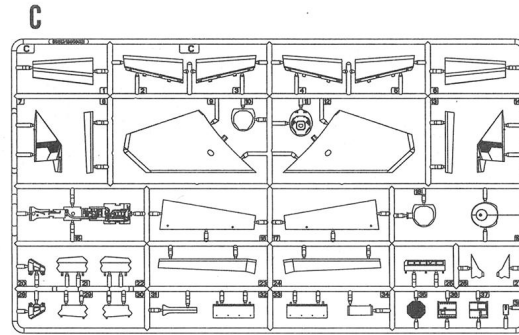
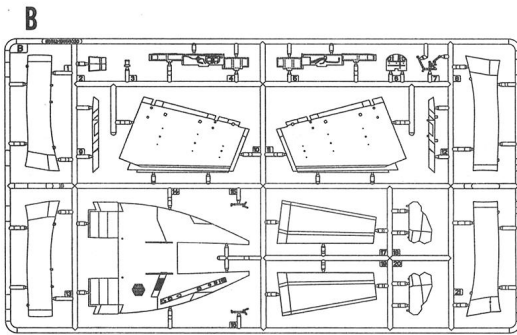
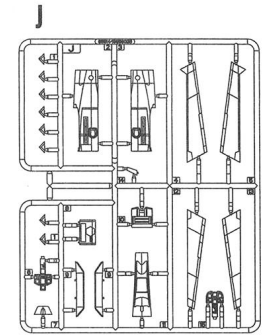
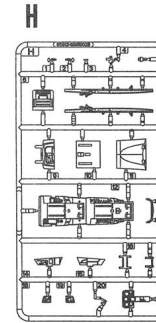
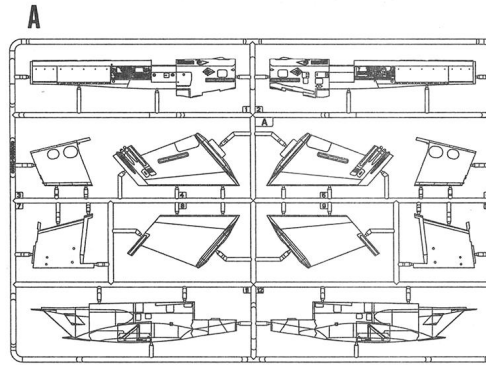
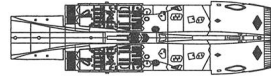
File/Sand

部品图
Parts

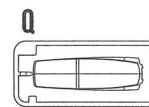
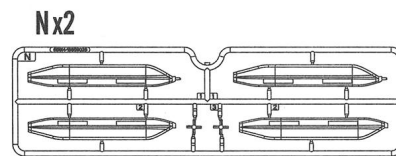
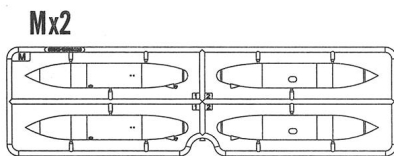
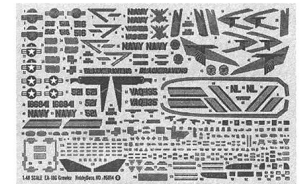
《上部机身》
Top fuselage



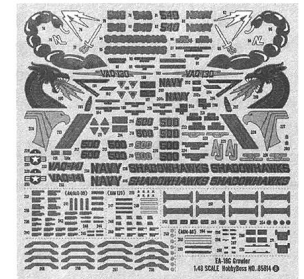
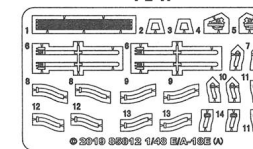
《下部机身》
Lower fuselage

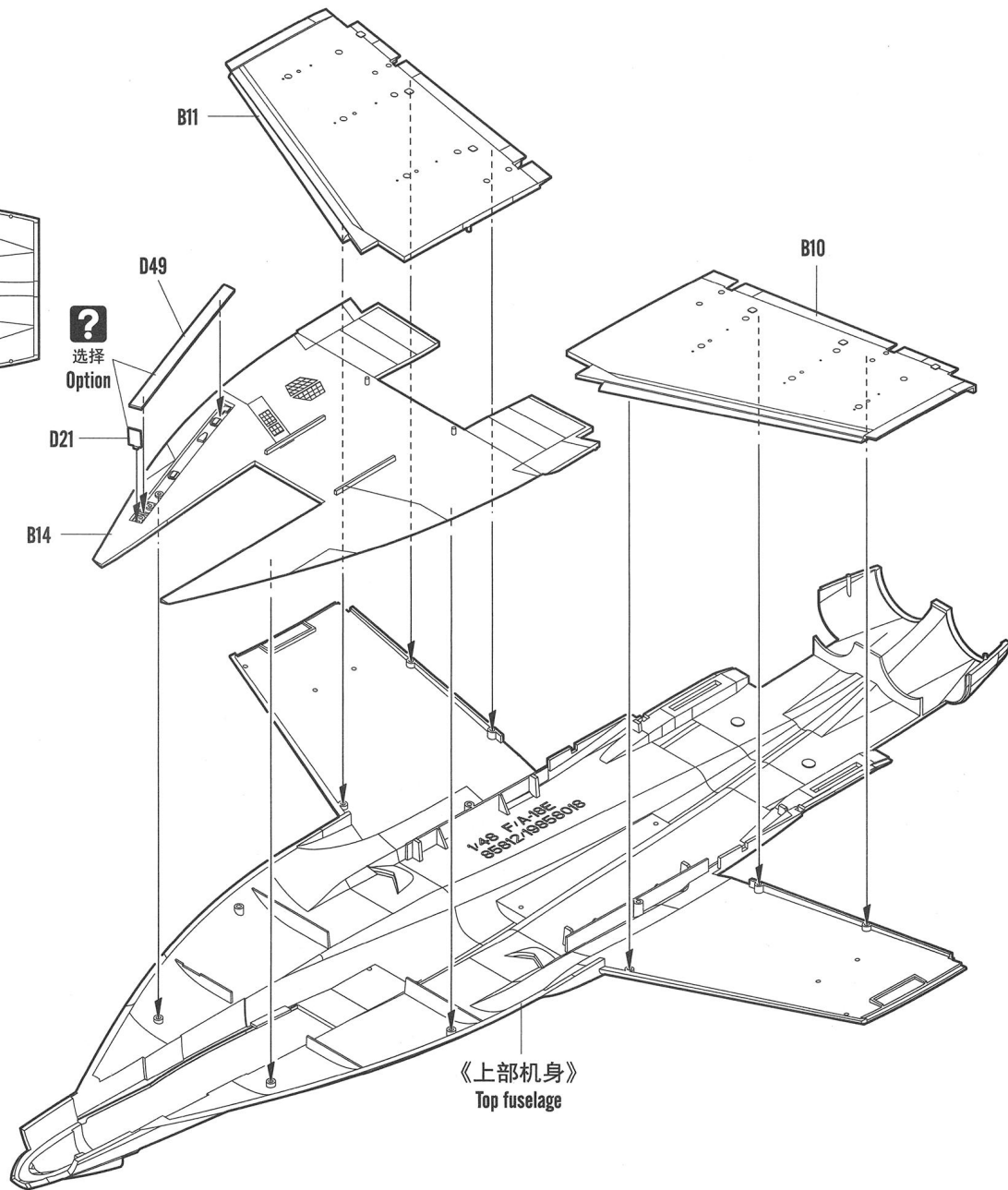
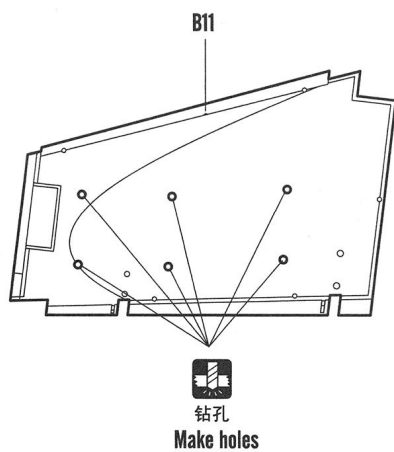
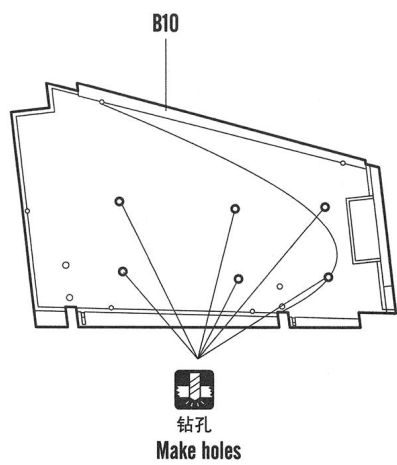
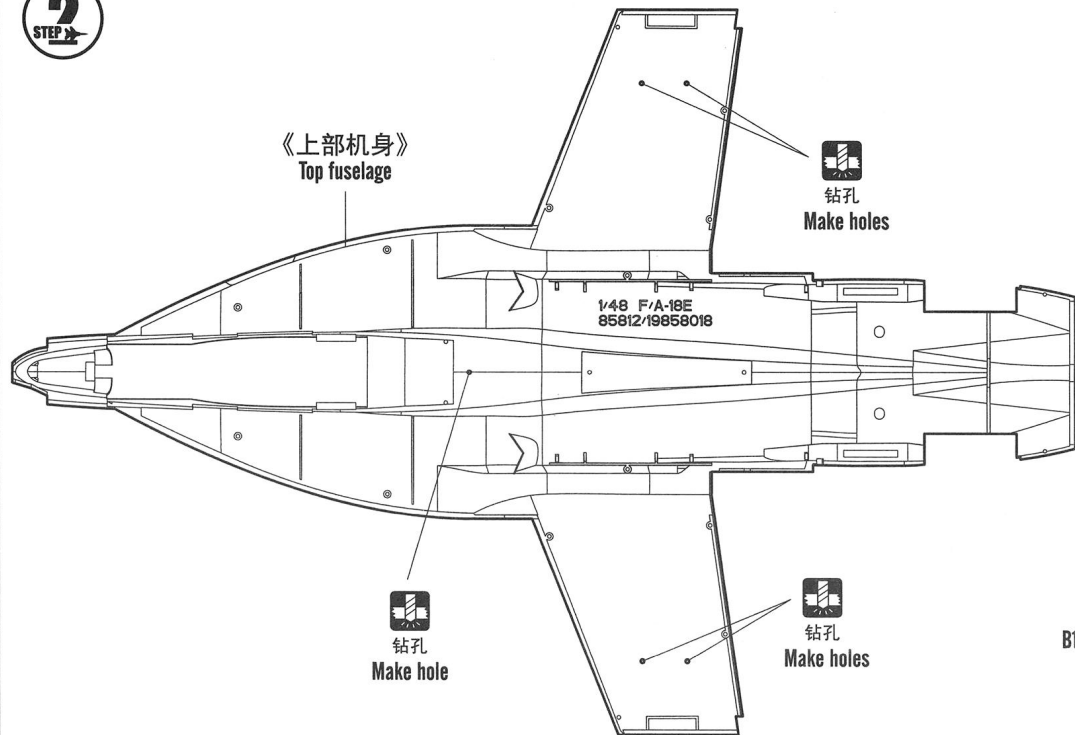


《水贴纸》
Decal

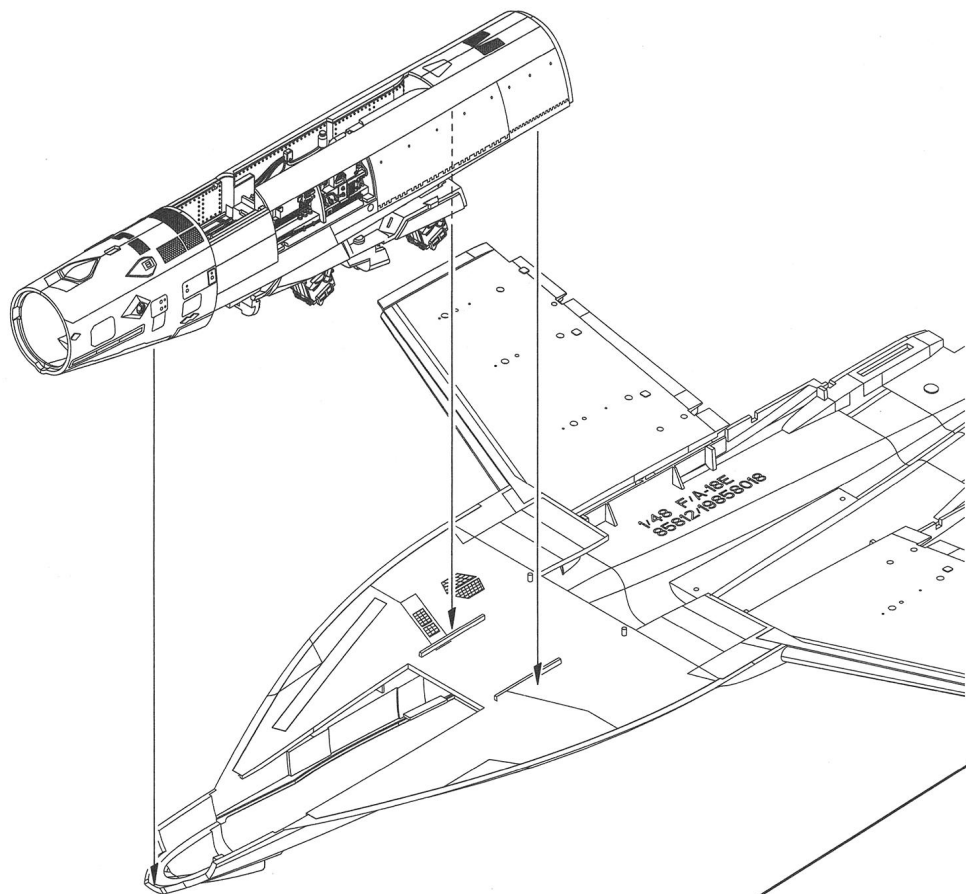


《蚀刻片》
PE-A



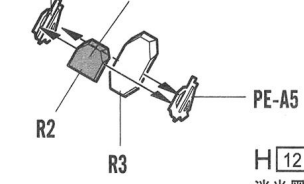


STEP 2



STEP 3

PE-A4 H 12 33
消光黑
Flat black



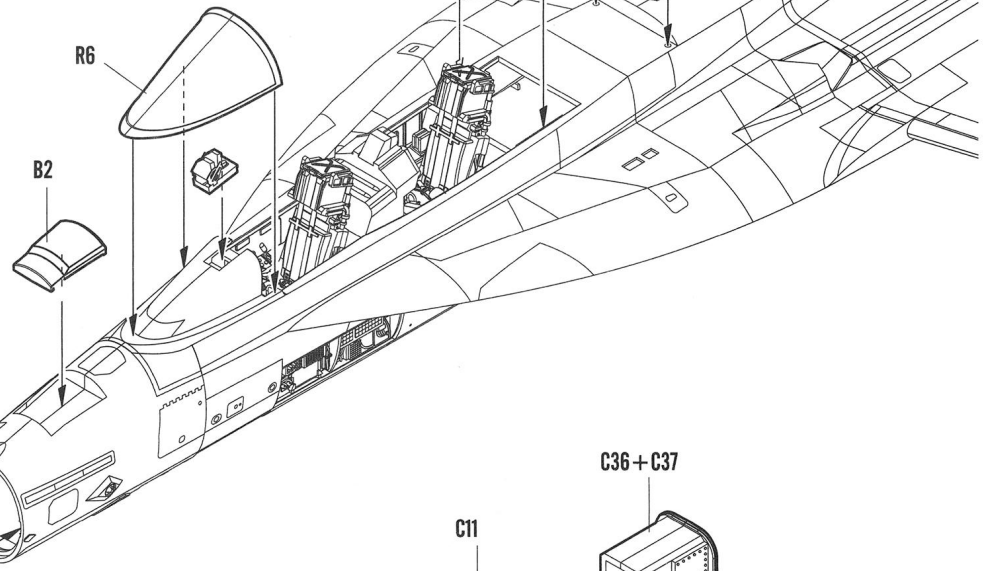
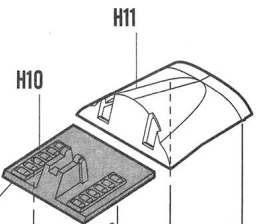
H 12 33
消光黑
Flat black

H 12 33
消光黑
Flat black

C38

R6

B2



C36 + C37

C11

H 318 318
浅黄色
Light Yellow

C35

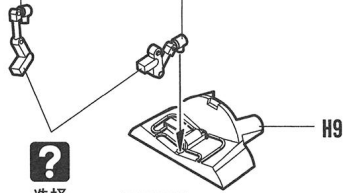
C20 + C28

H 317 317
灰色
Dark gull grey

5
STEP

展开状态
Open
H20

闭合状态
Close
H4



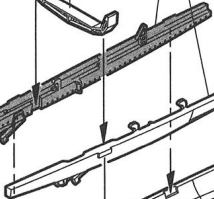
?
选择
Option

H 12 33
消光黑
Flat black

H13



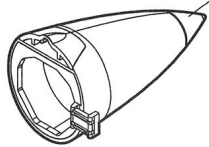
H7



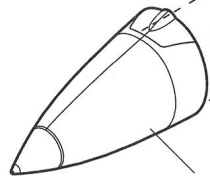
H8

Q1

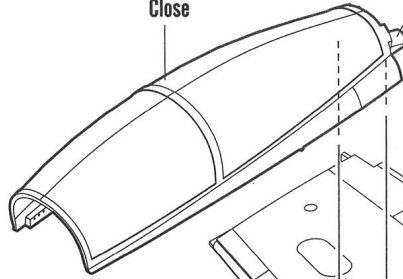
展开状态
Open



闭合状态
Close

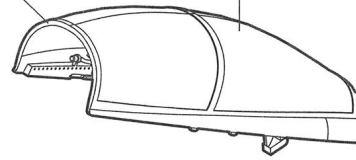


闭合状态
Close



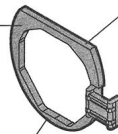
?
选择
Option

展开状态
Open

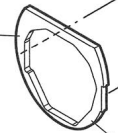


展开状态
Open
C18

H 317 317
灰色
Dark Gull Grey



?
选择
Option



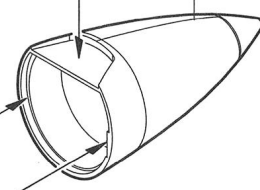
C10
闭合状态
Close

J7

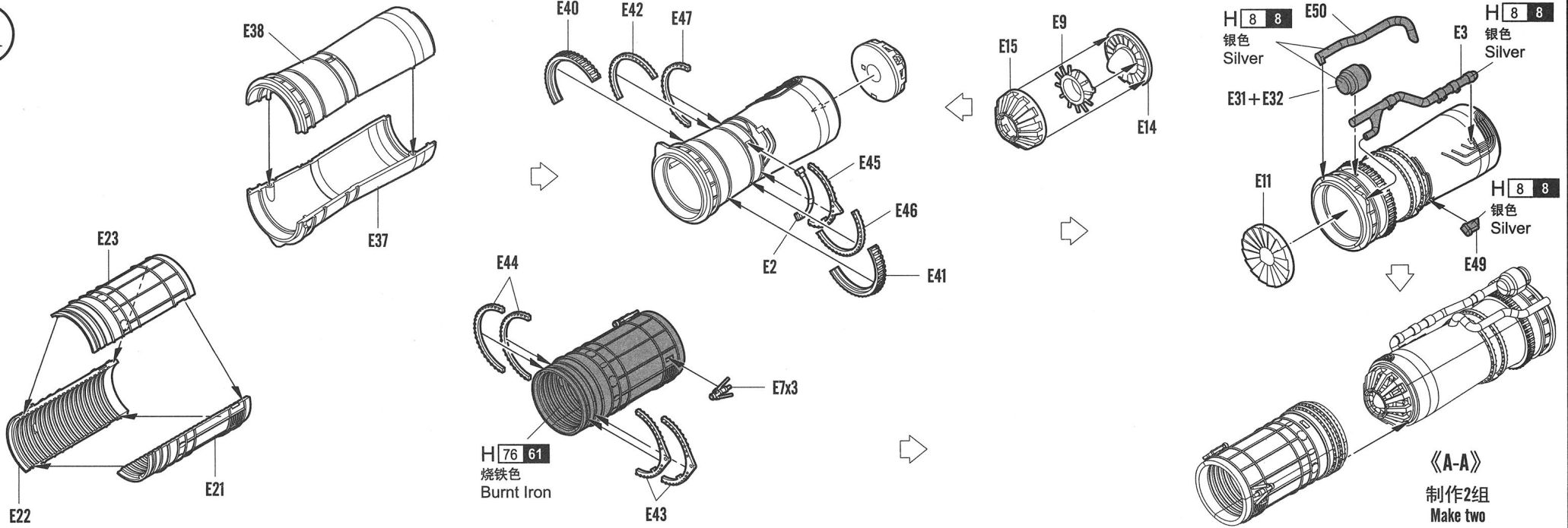
展开状态
Open



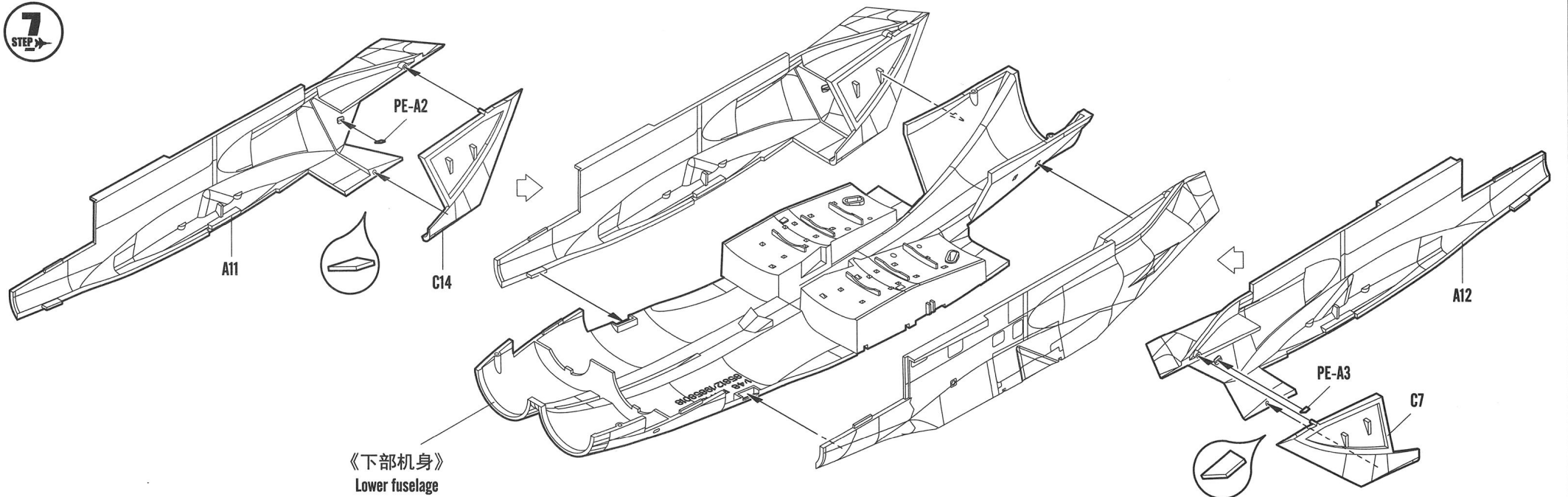
C19

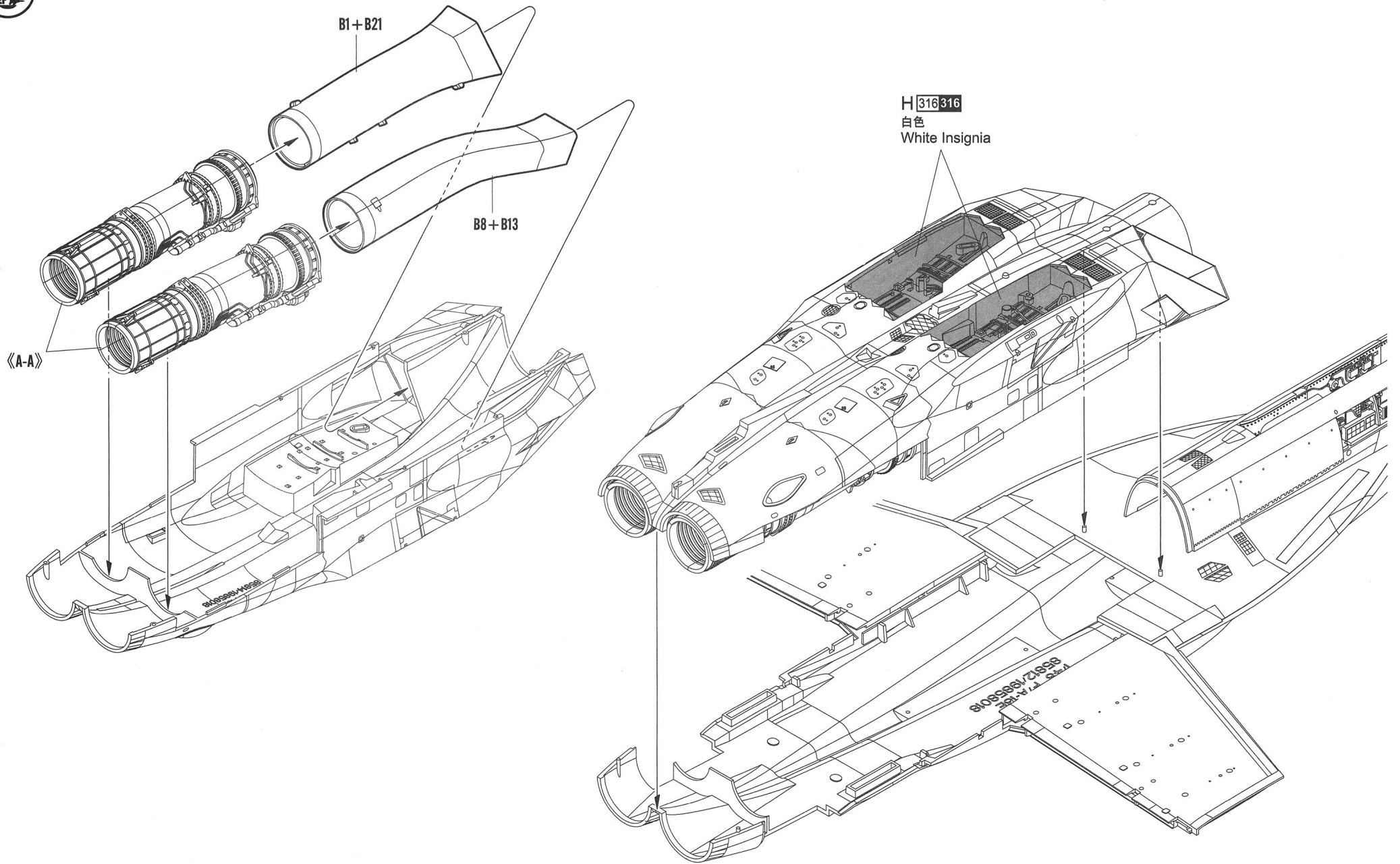


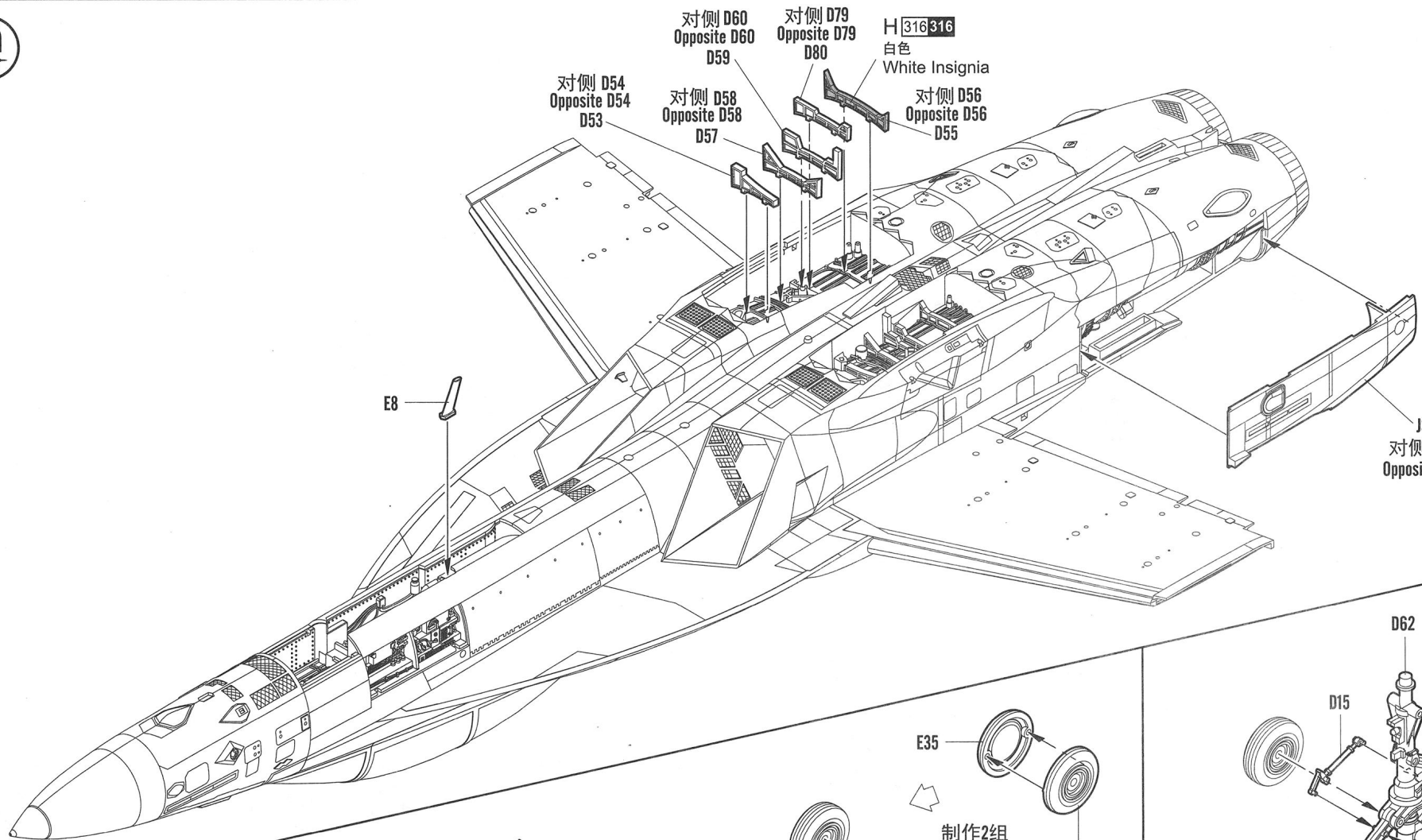
6
STEP



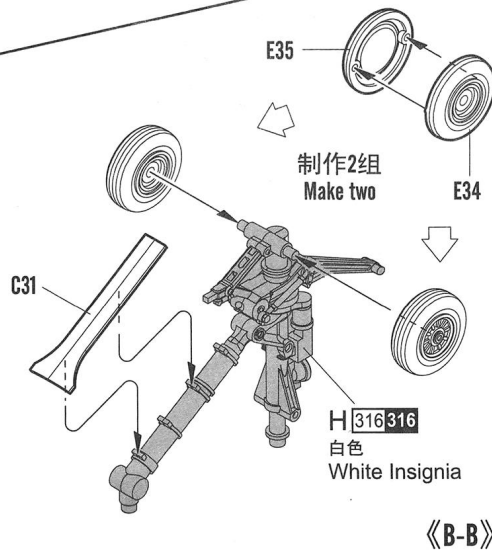
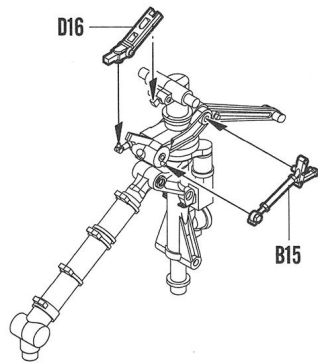
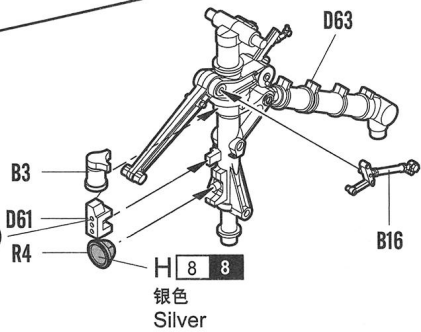
7
STEP



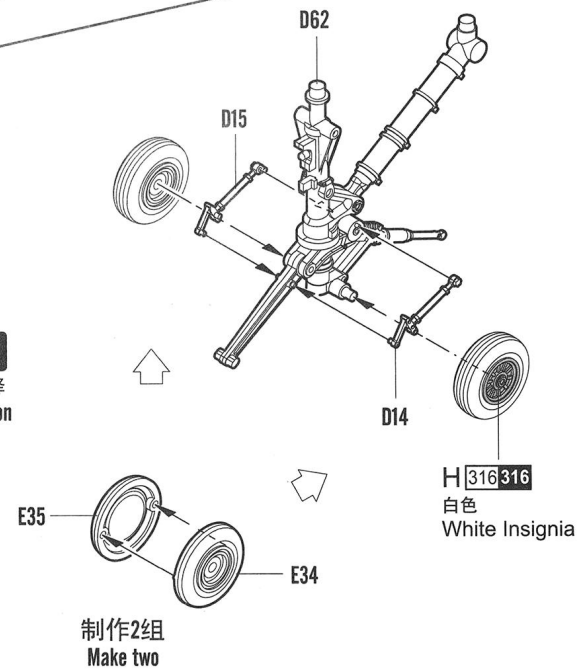




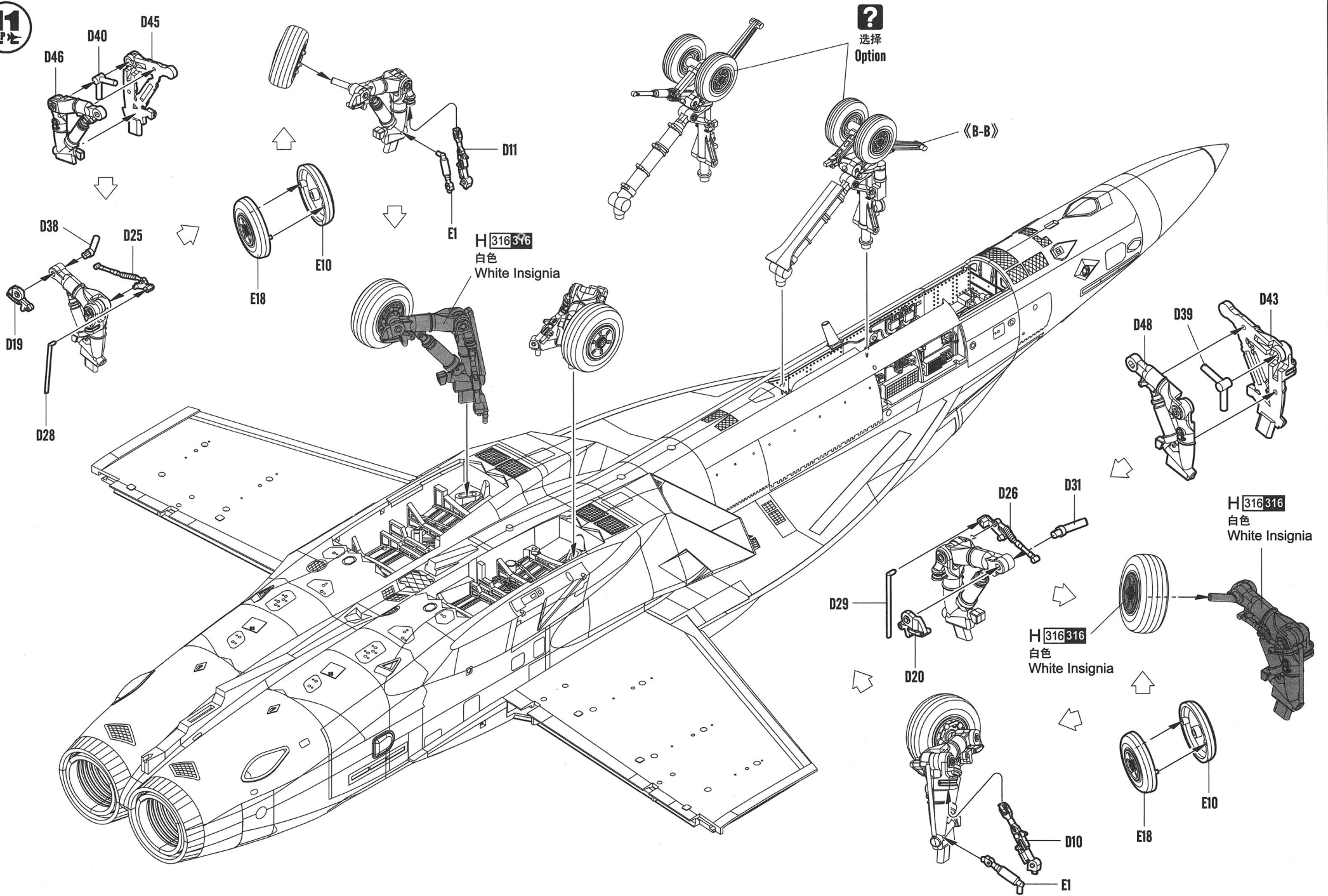
贴纸 (156)
Decal

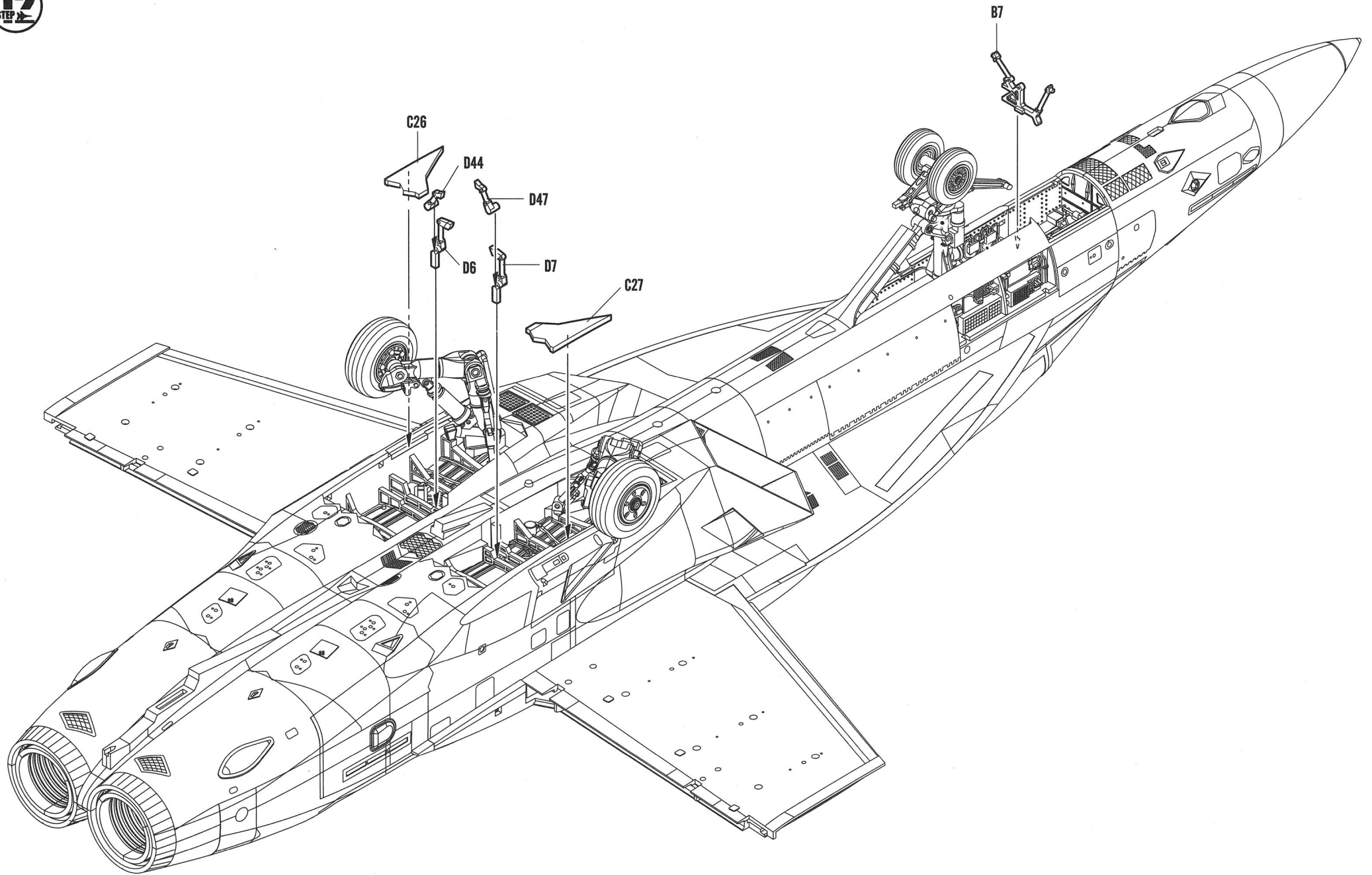


?
选择
Option

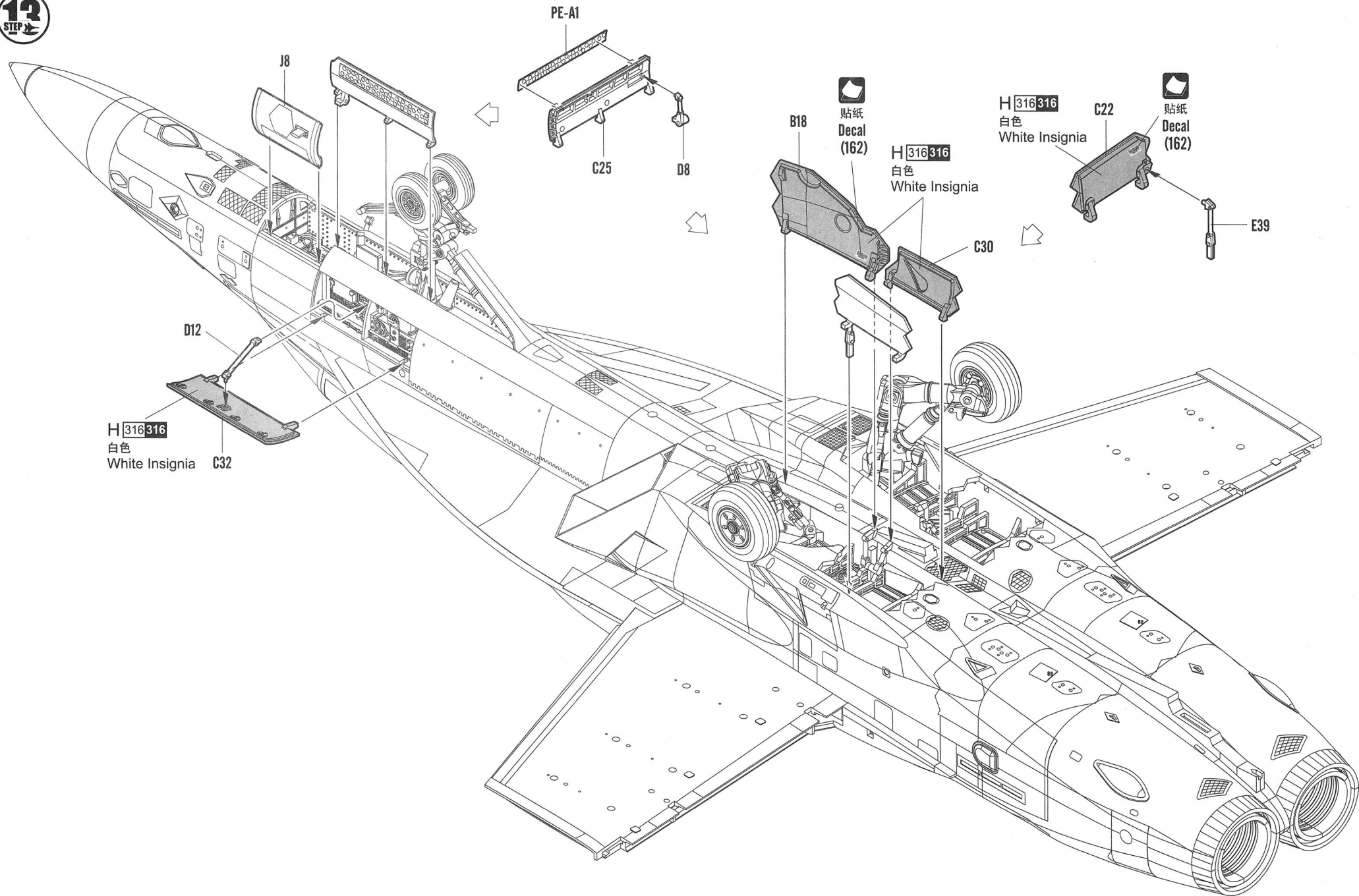


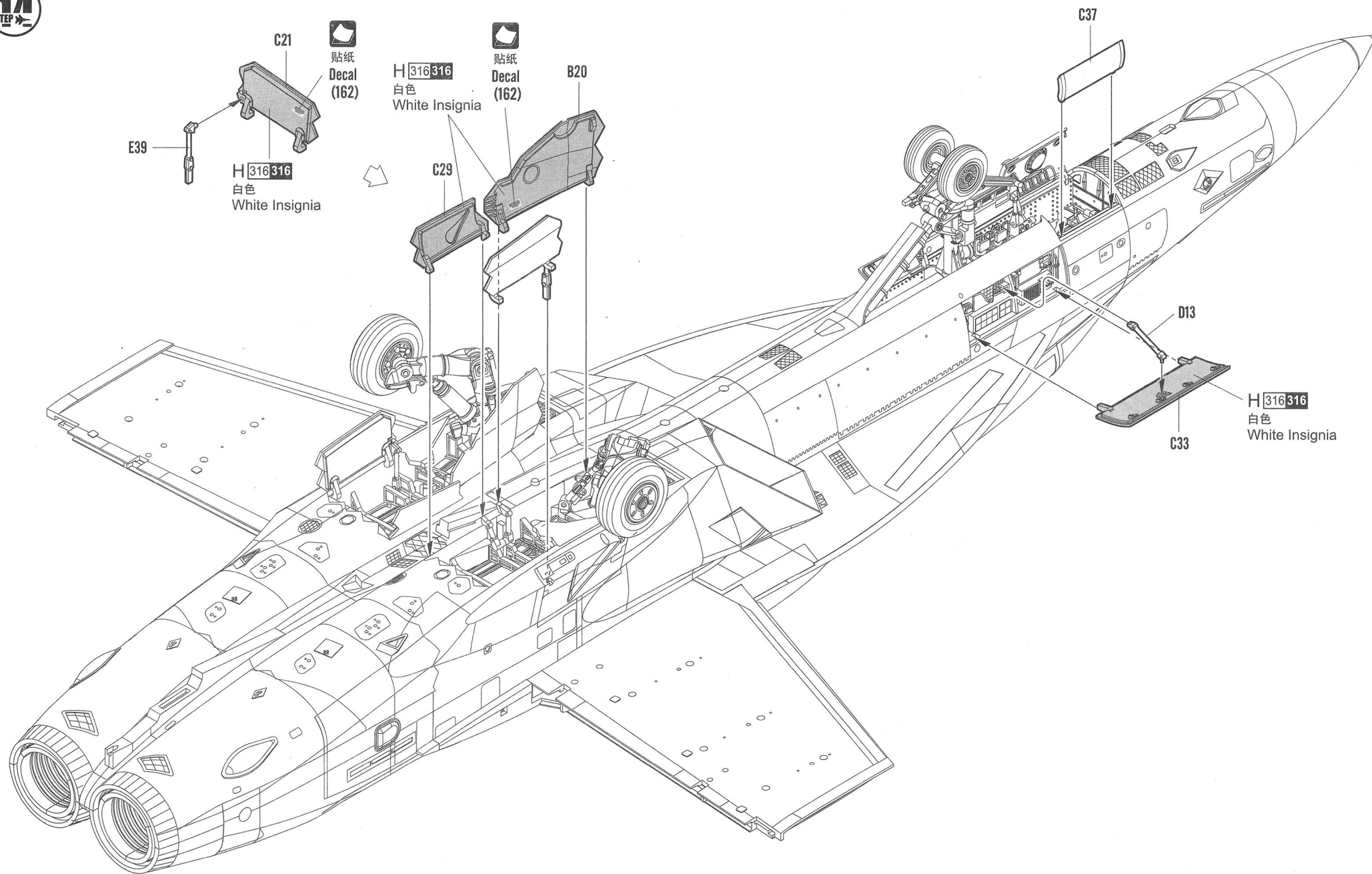
11
STEP



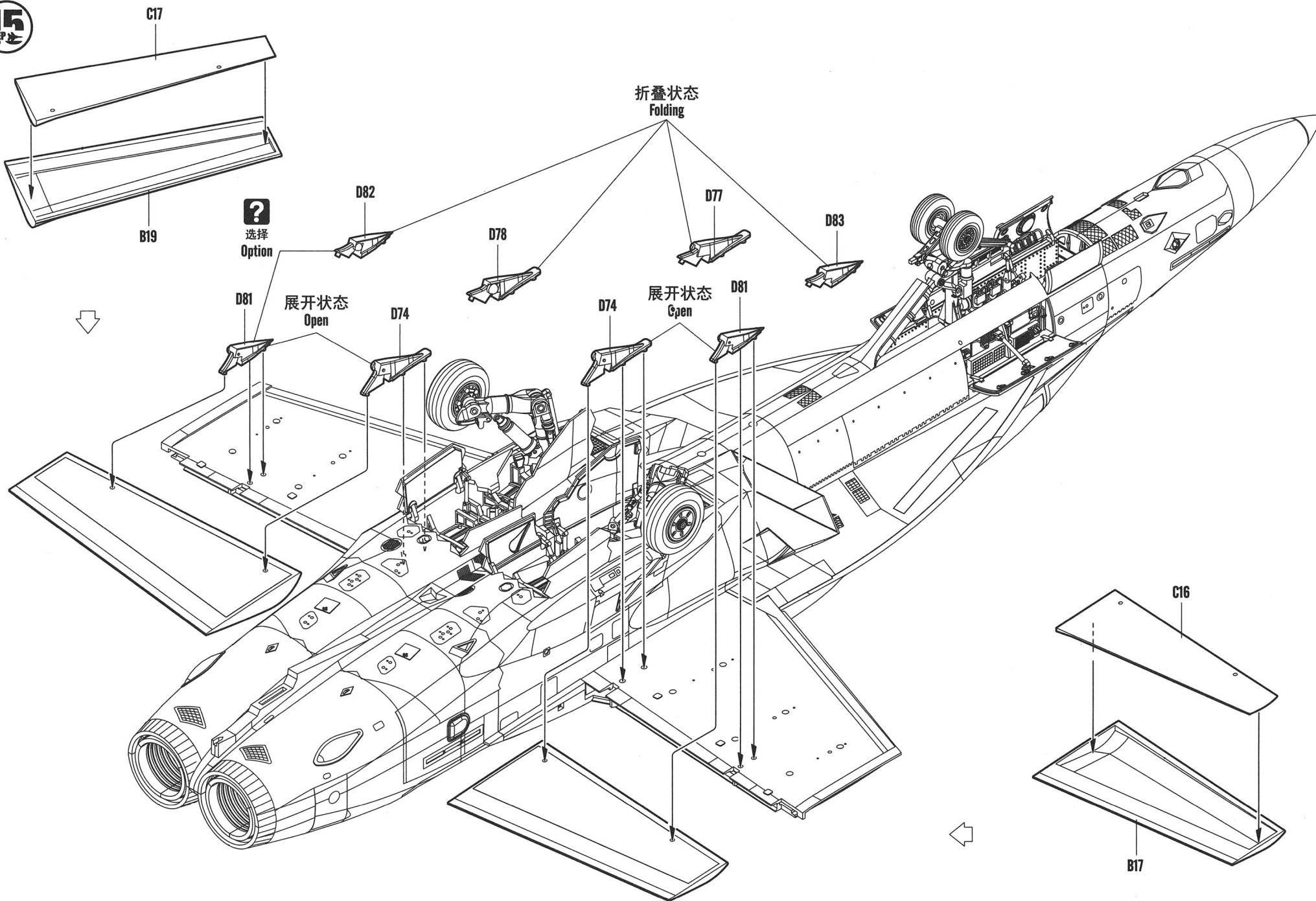


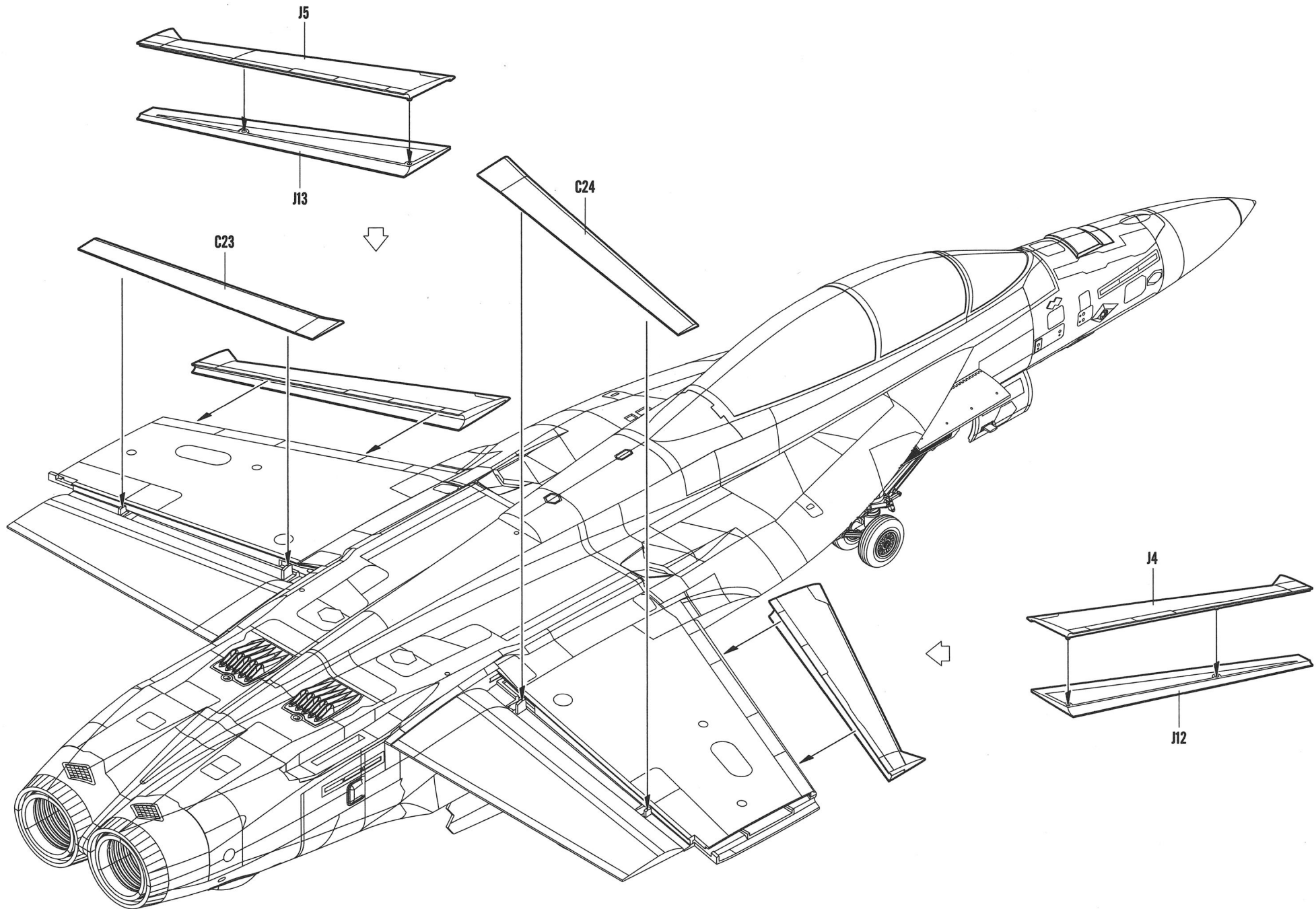
13
STEP





15
STEP



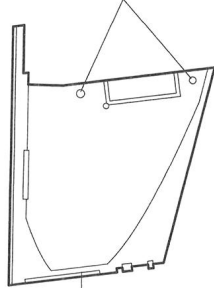


17
STEP

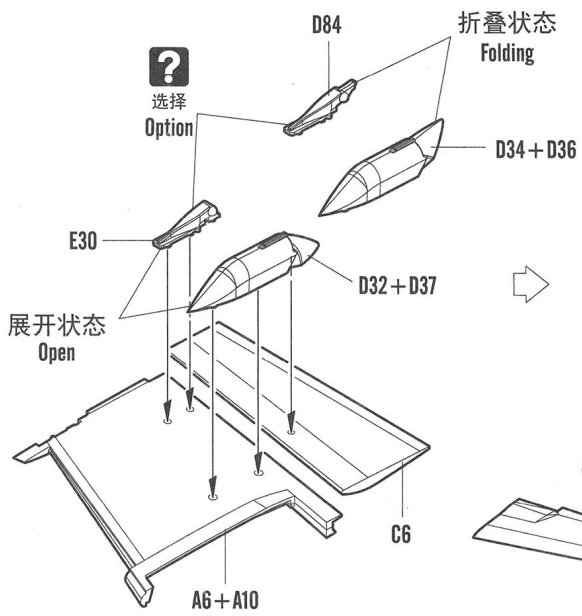
折叠状态
Folding



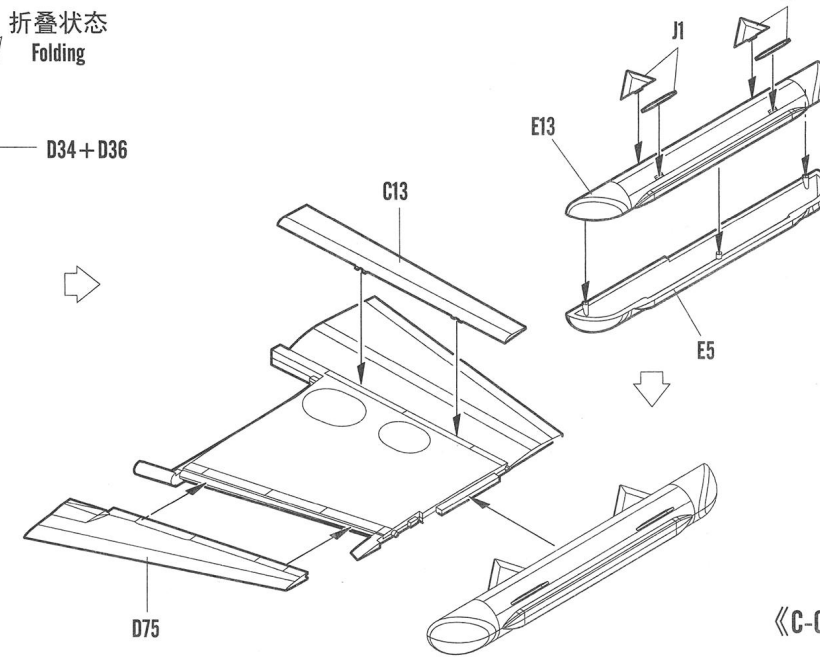
钻孔
Make holes



A6

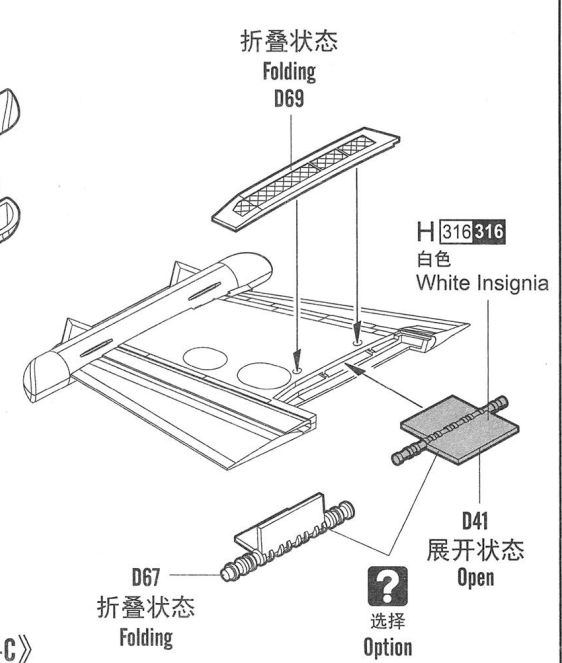


展开状态
Open



D75

《C-C》



折叠状态
Folding

H 316316

白色
White Insignia

D41

展开状态
Open



选择
Option

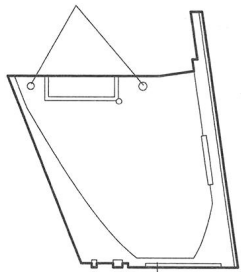
D67
折叠状态
Folding

18
STEP

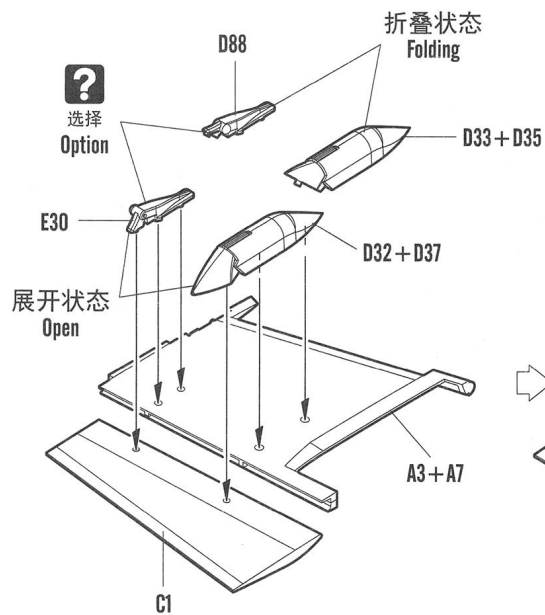
折叠状态
Folding



钻孔
Make holes

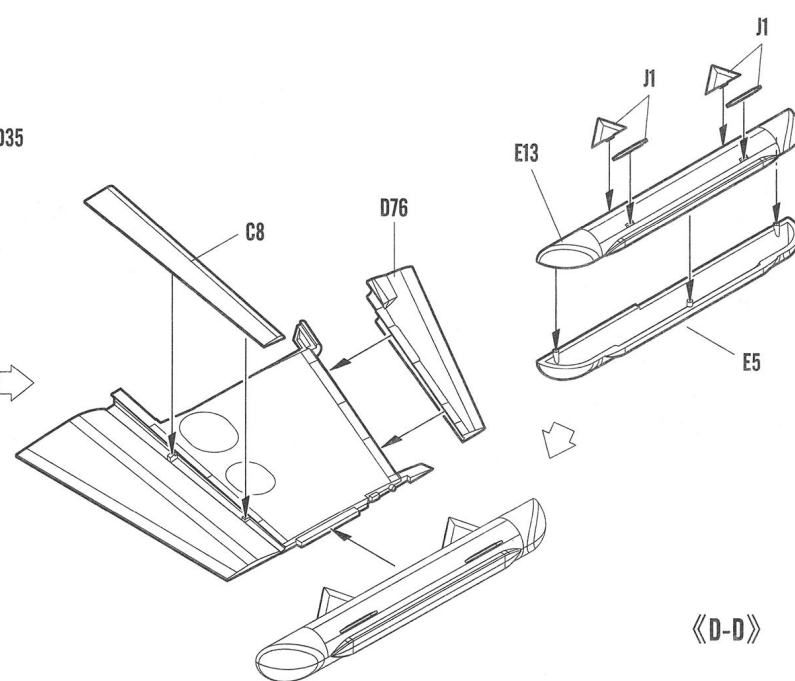


A3



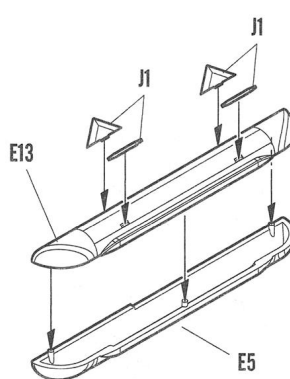
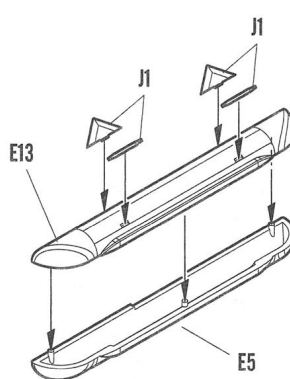
展开状态
Open

折叠状态
Folding

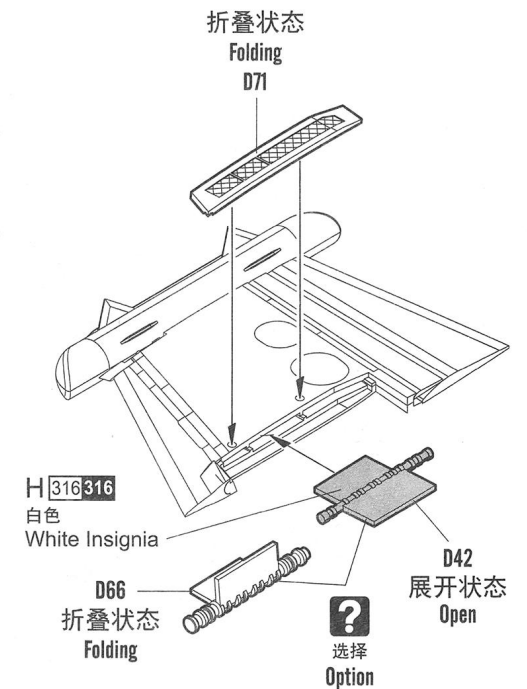


C8

D76



《D-D》



折叠状态
Folding

H 316316

白色
White Insignia

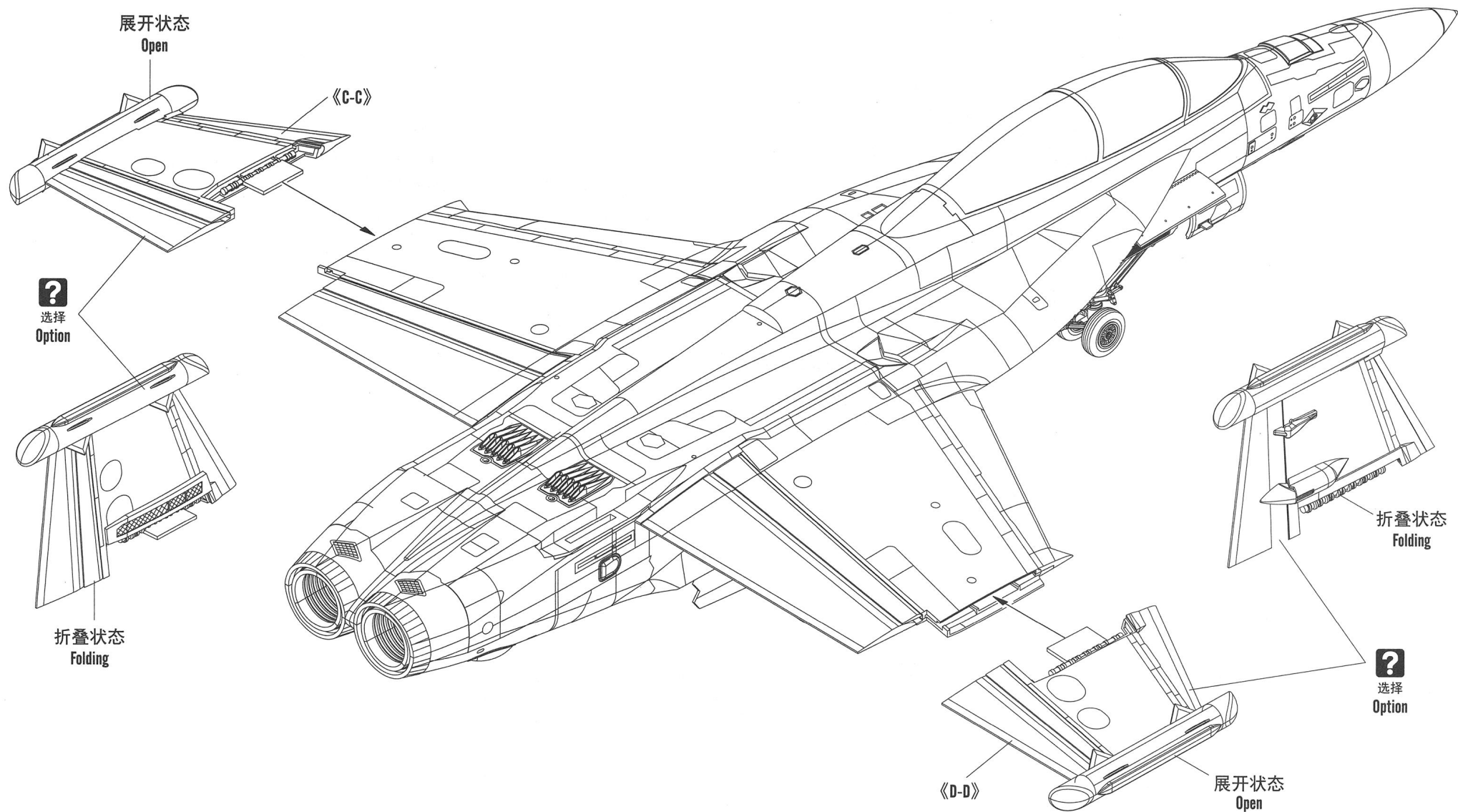
D42

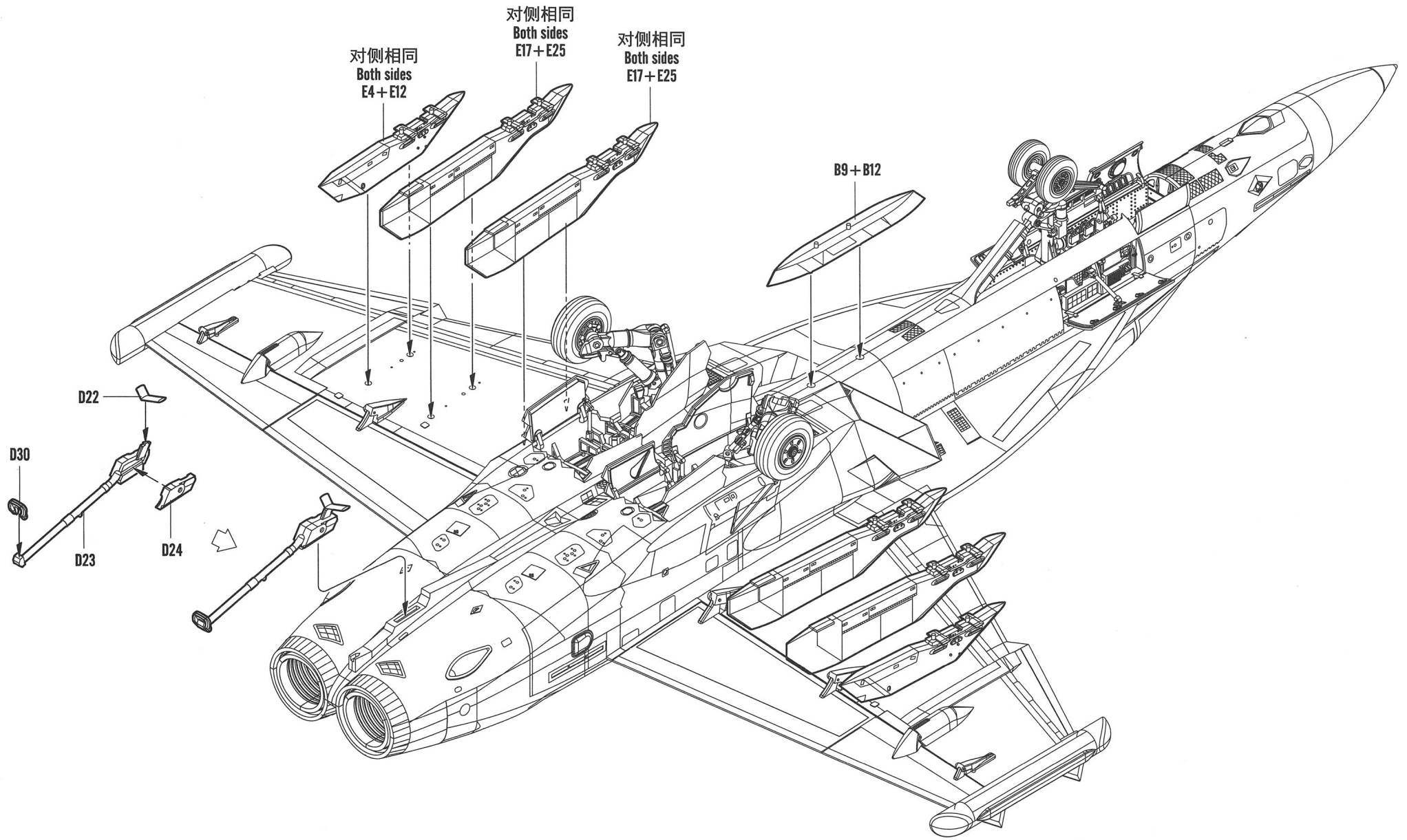
展开状态
Open

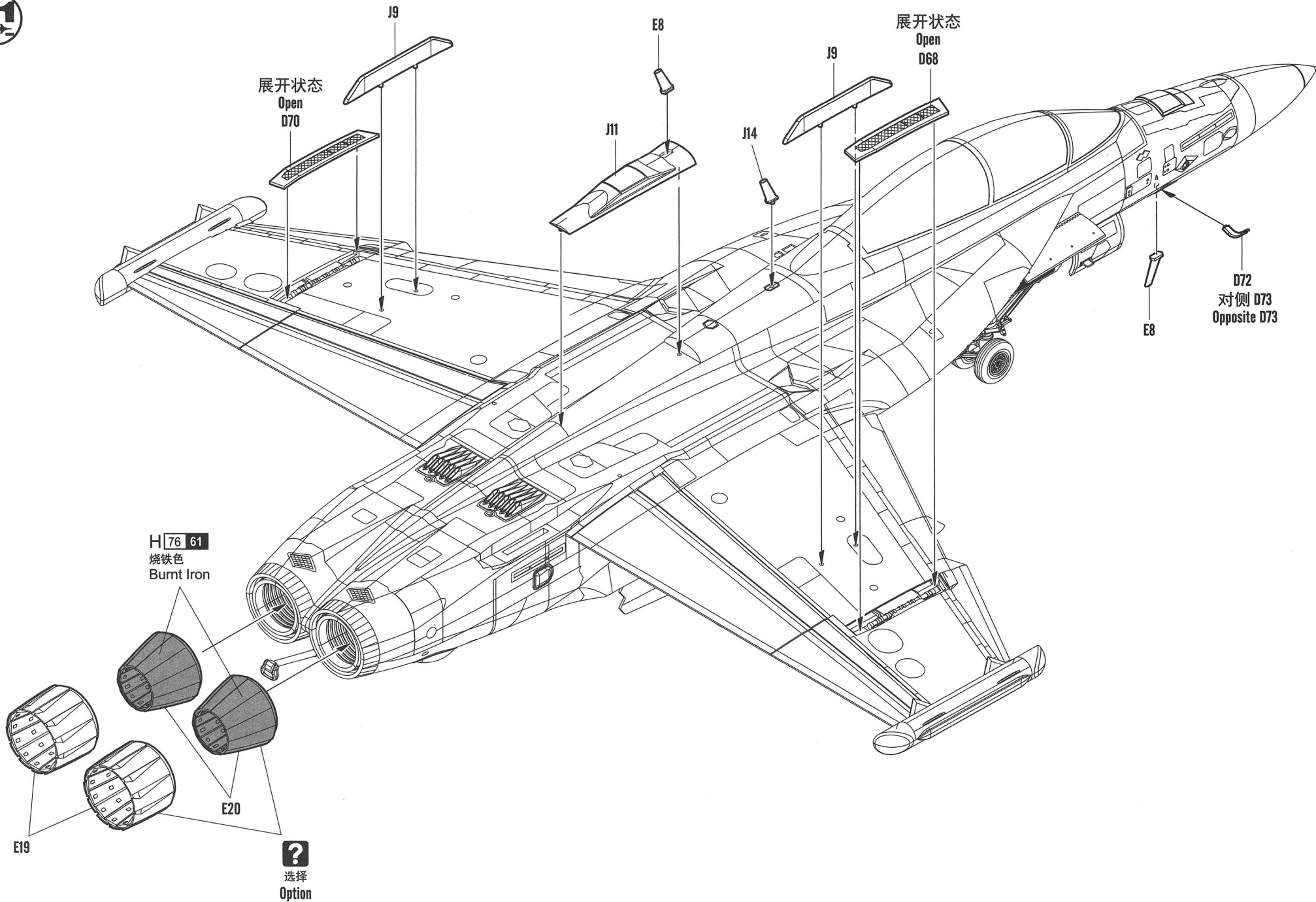


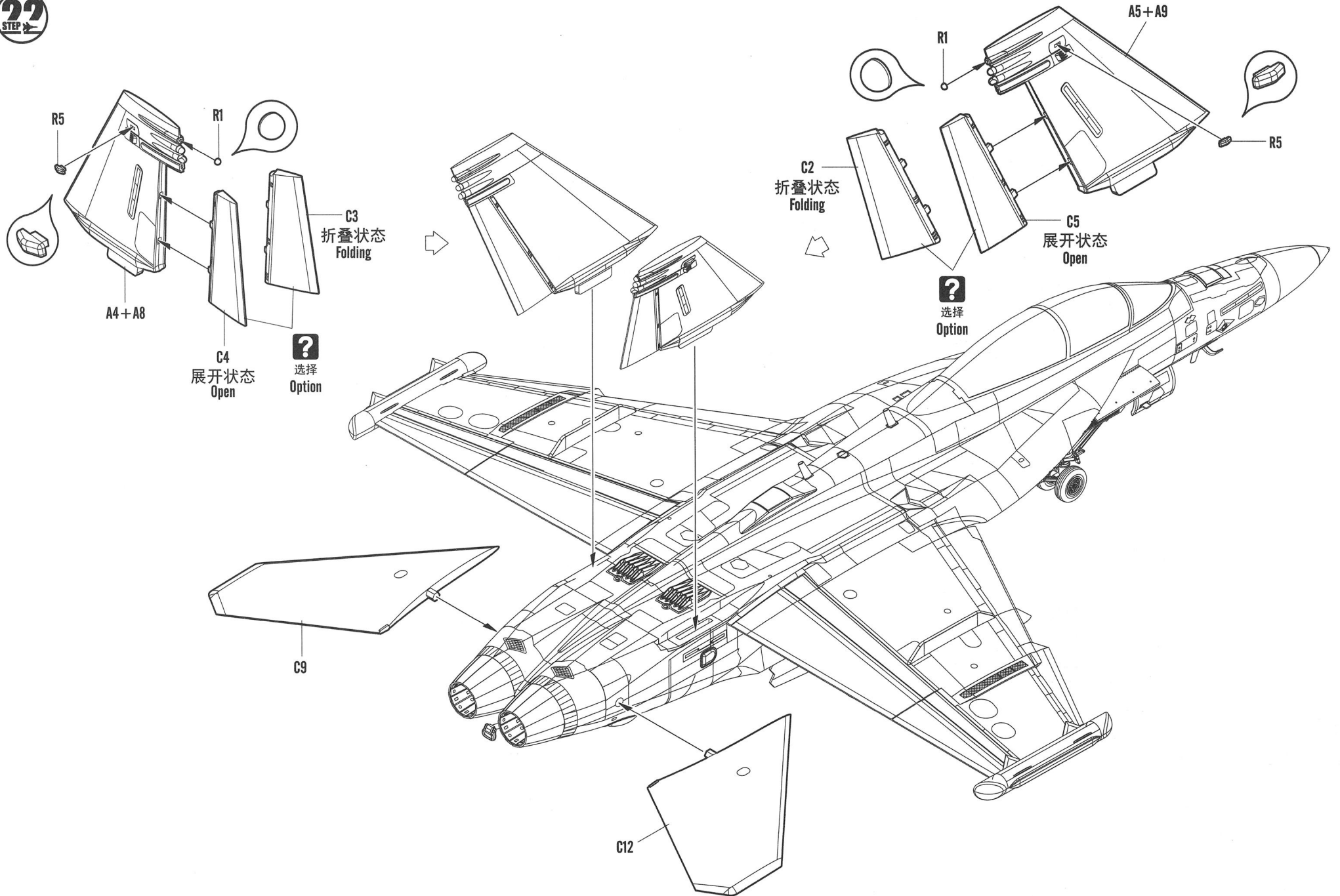
选择
Option

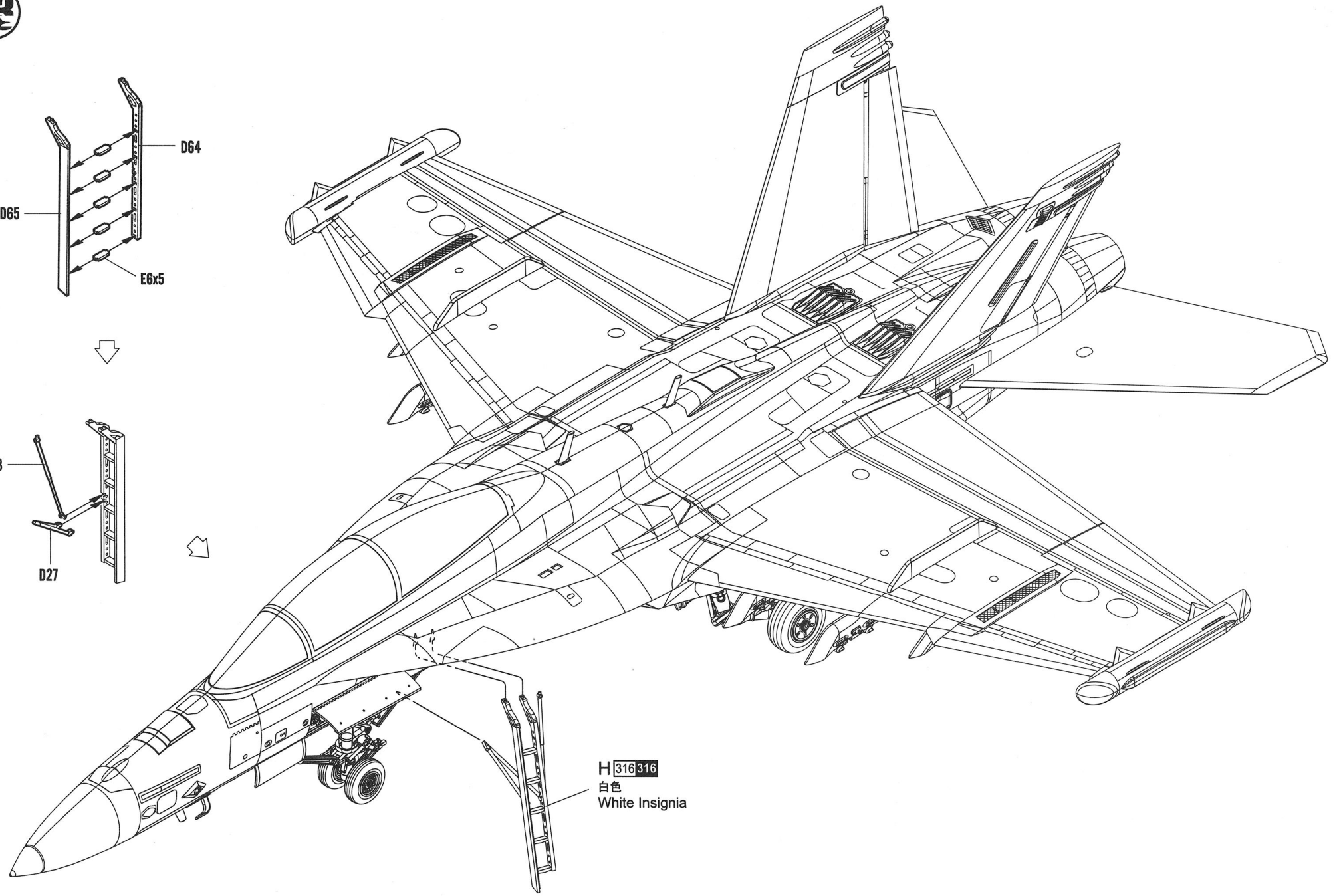
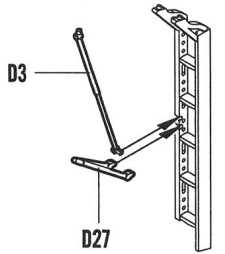
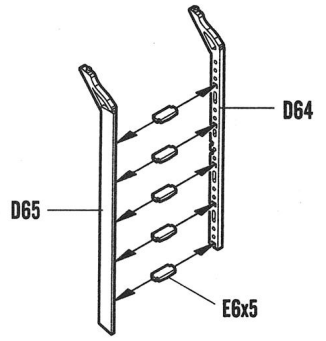
D66
折叠状态
Folding



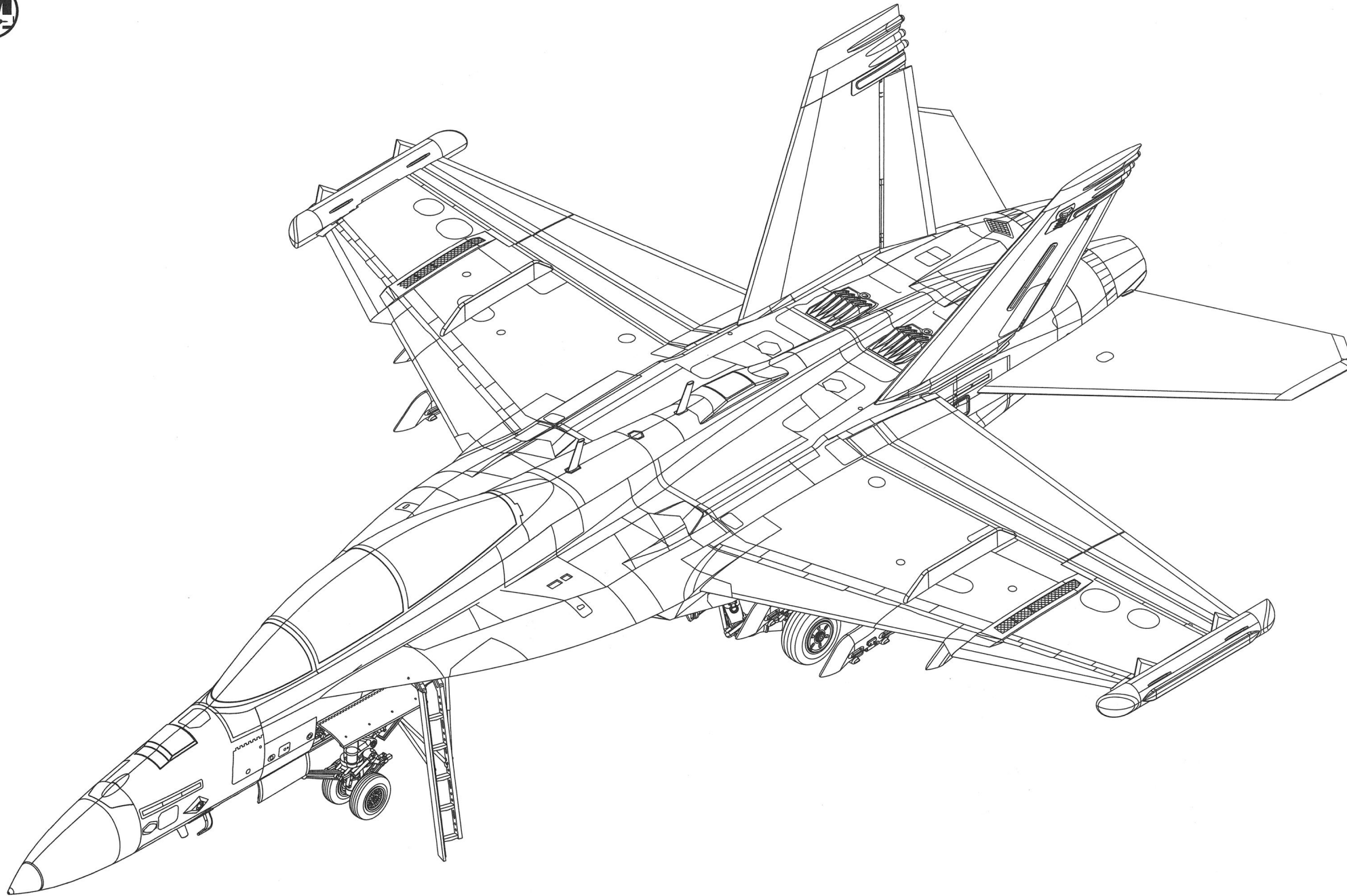






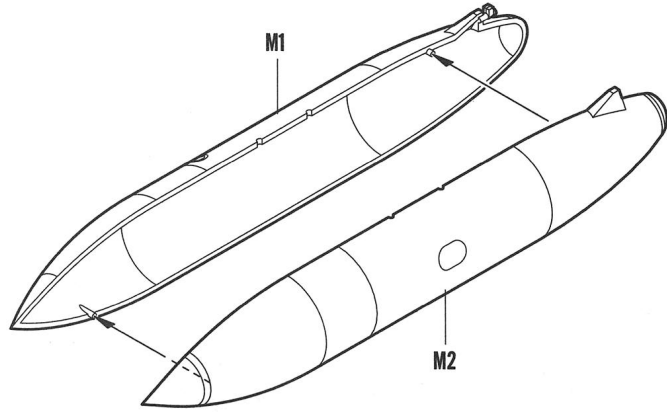


H 316316
白色
White Insignia



25
STEP

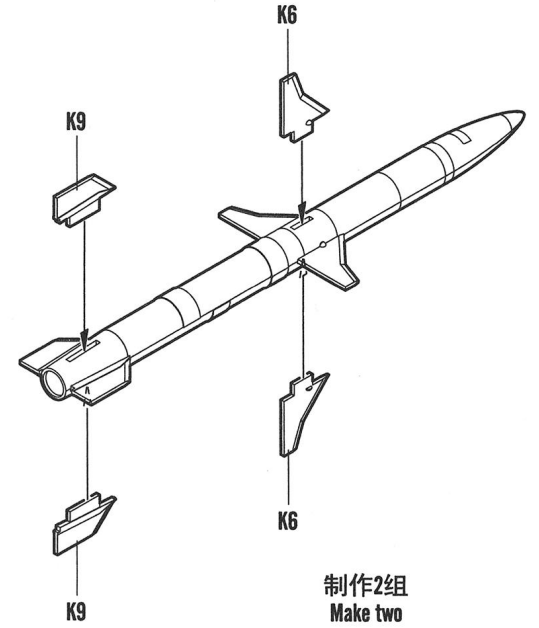
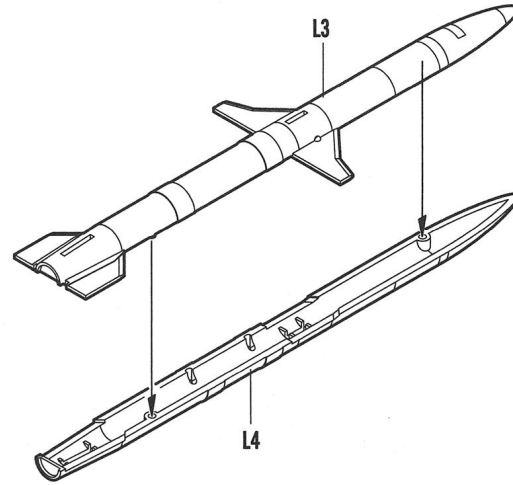
《Fuel Tank》



制作2组
Make two

26
STEP

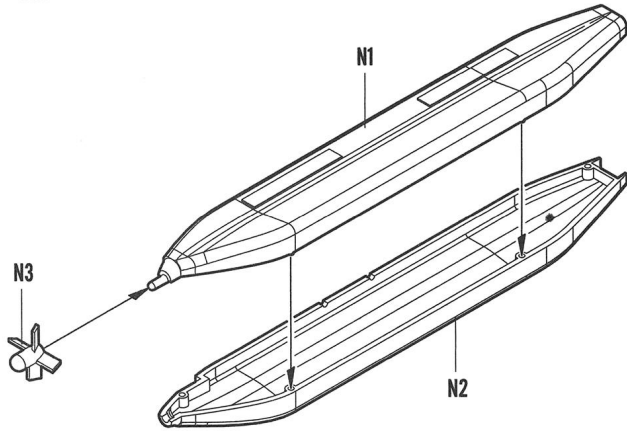
《AGM-88》



制作2组
Make two

27
STEP

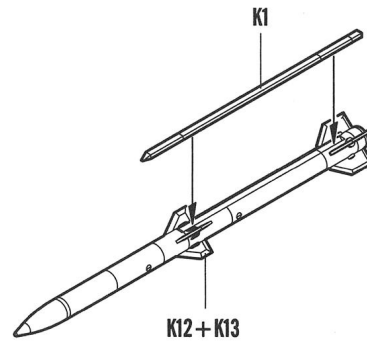
《AN/ALQ-99》



制作2组
Make two

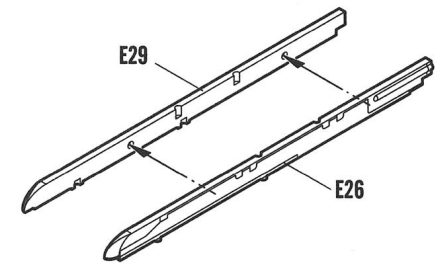
28
STEP

《AIM-120 D》



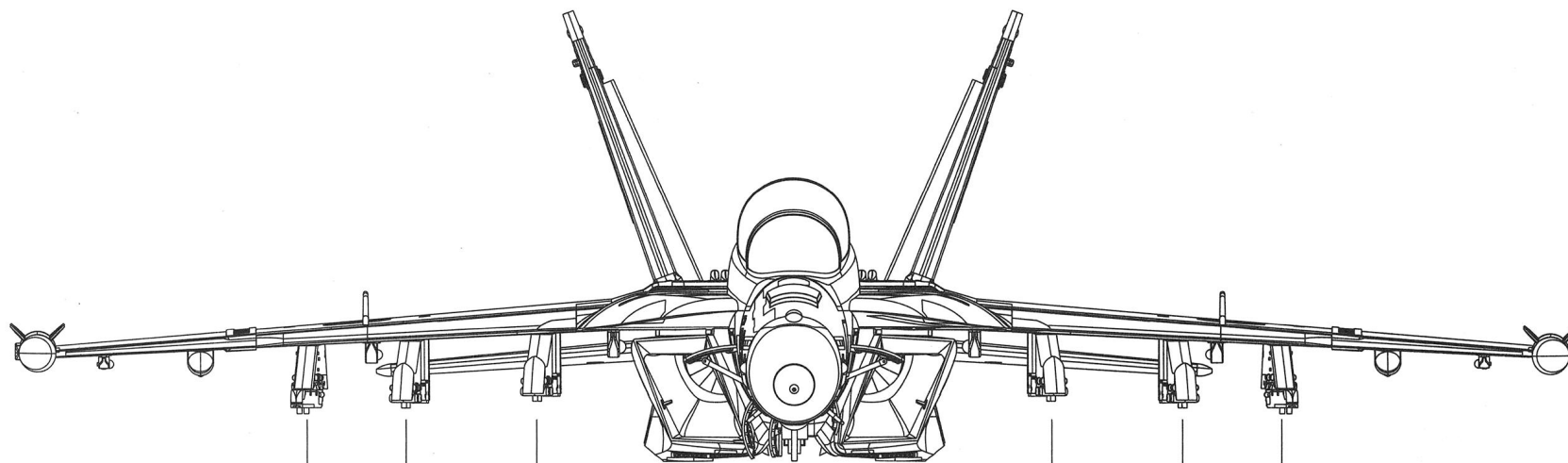
制作2组
Make two

29
STEP



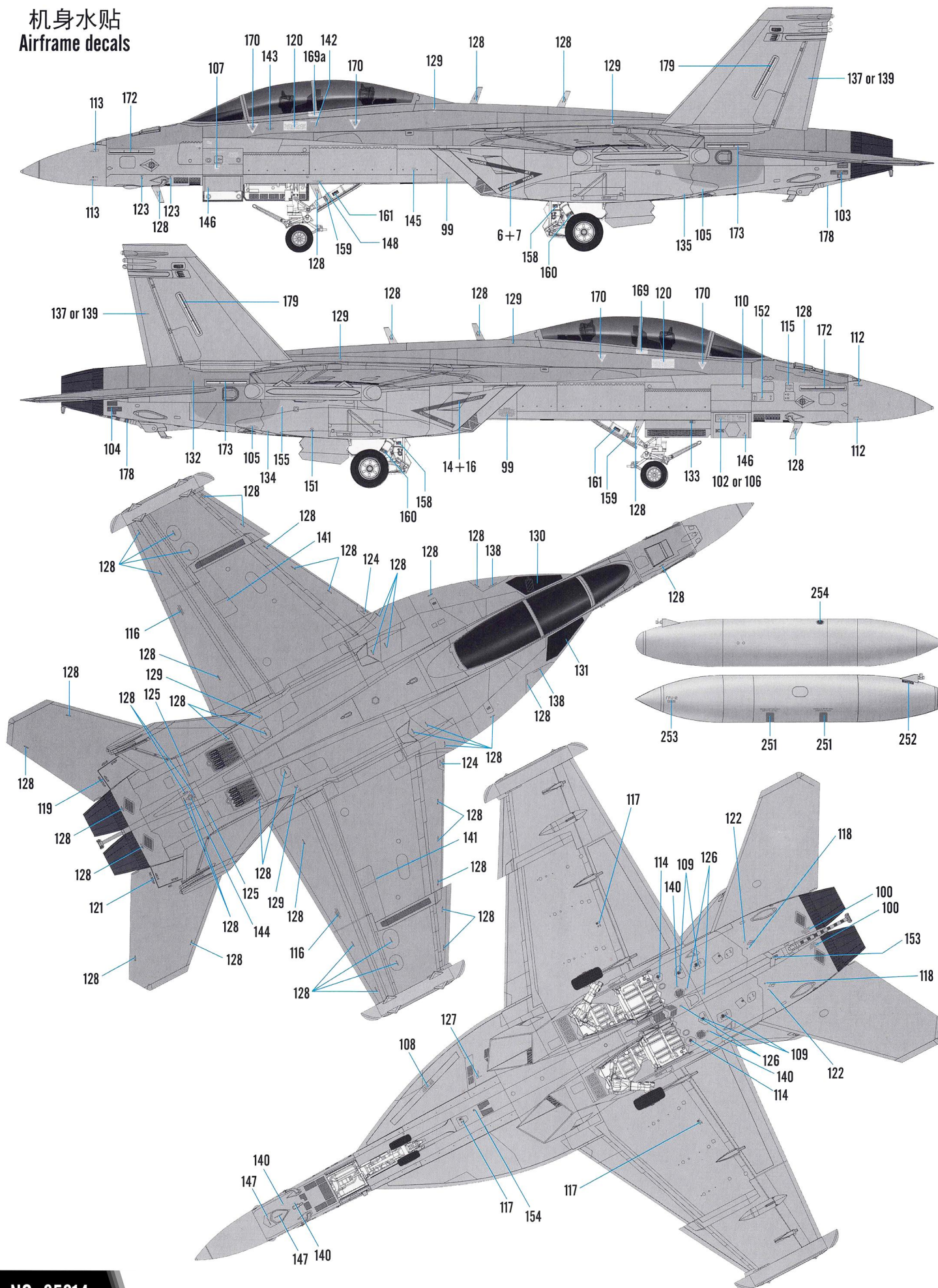
制作2组
Make two

用于
use for: AIM-120 D



Missile/Tank \ Sta.No	1	2	3	4	5	6	7	8	9
Fuel Tank			•		•		•		
AGM-88	•			•		•			•
AN/ALQ-99		•	•		•		•	•	
AIM-120 D				•		•			

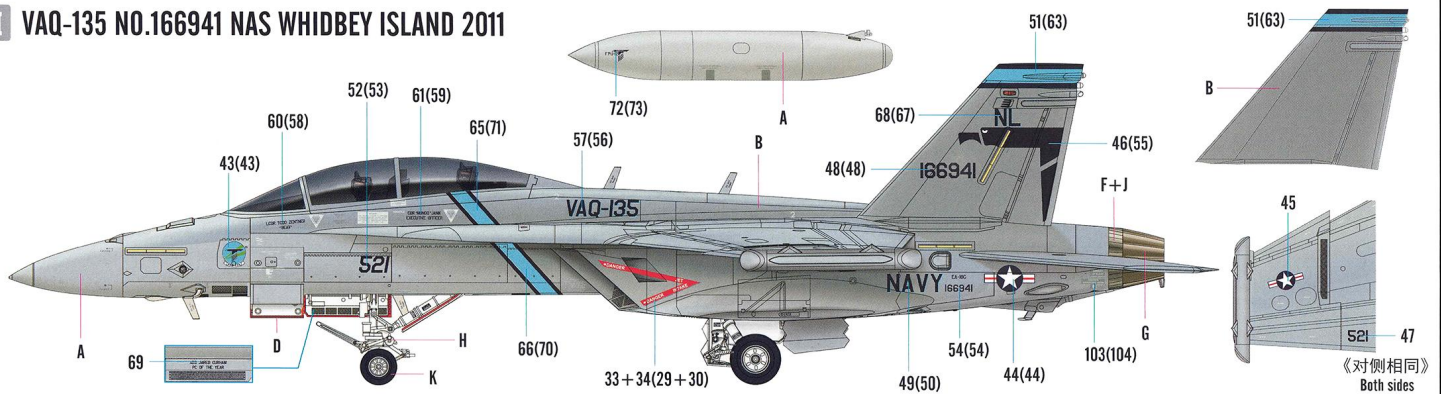
机身水贴 Airframe decals



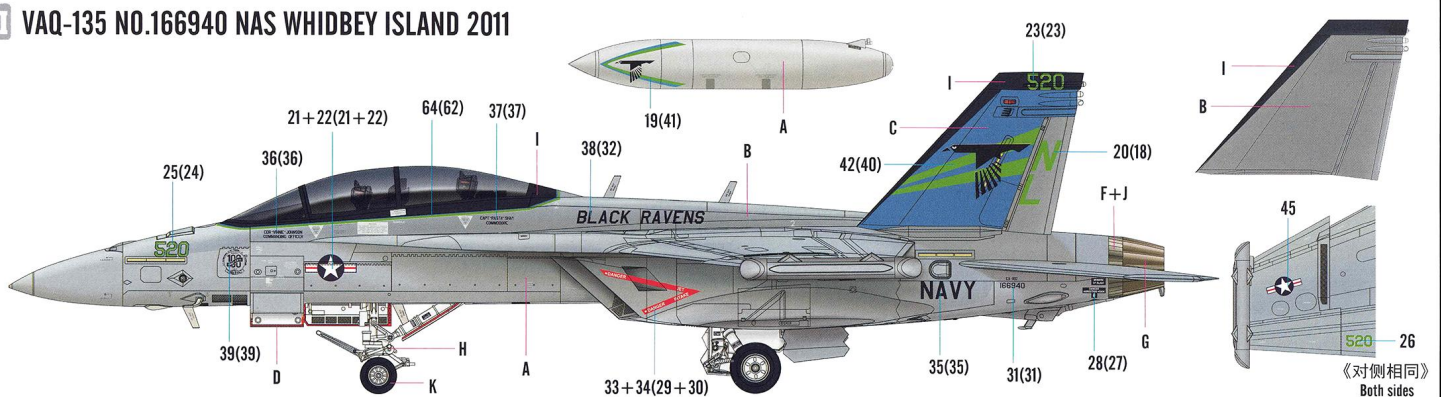
I VAQ-129 NO.169136



II VAQ-135 NO.166941 NAS WHIDBEY ISLAND 2011



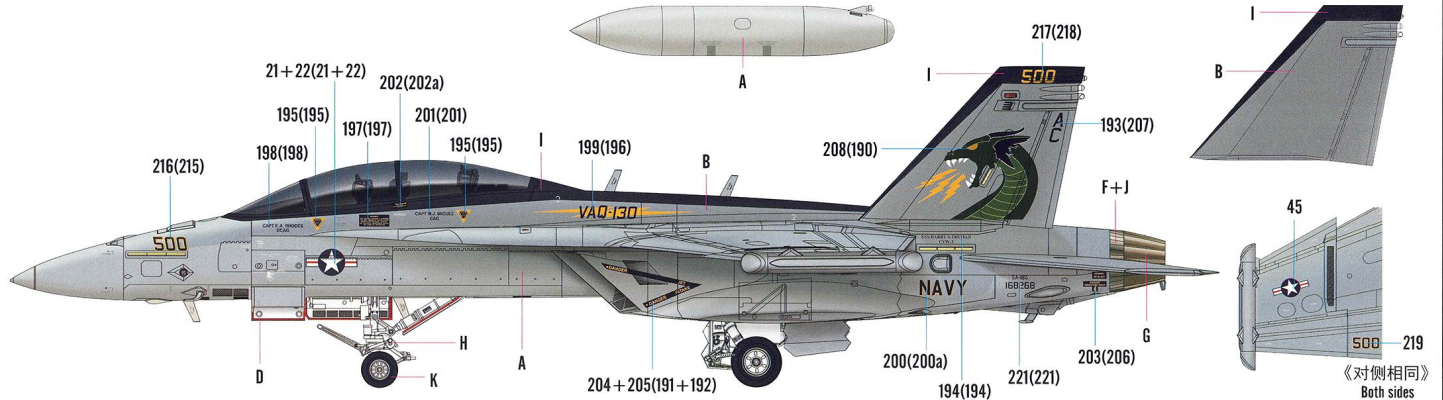
III VAQ-135 NO.166940 NAS WHIDBEY ISLAND 2011



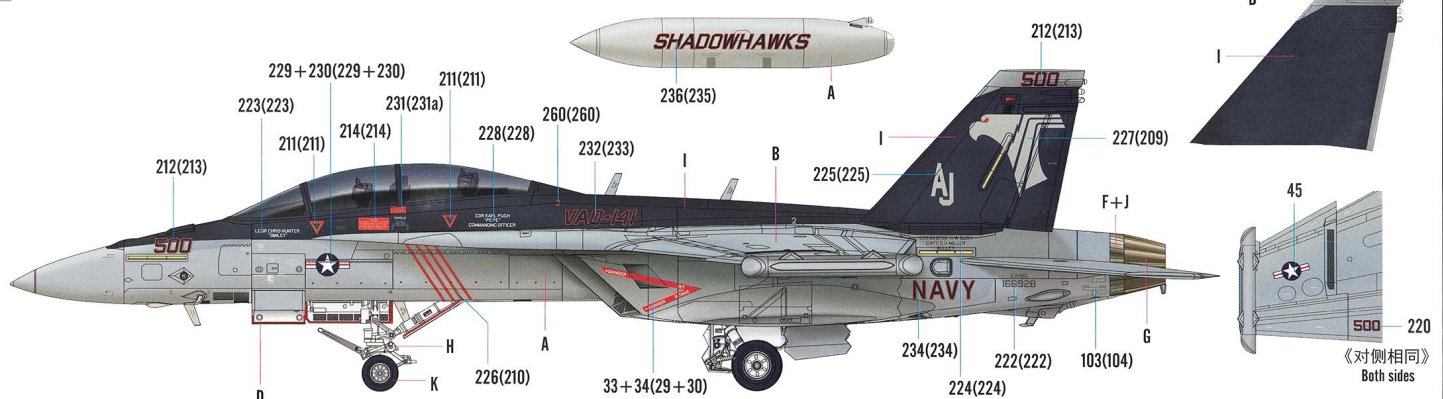
H AQUEOUS HOBBY COLOR Mr. COLOR N ACRYSION COLOR

Color	Mr.Hobby	Acrycion	Vallejo	Model Master	Tamiya	Humbrol	Color	Mr.Hobby	Acrycion	Vallejo	Model Master	Tamiya	Humbrol	Color	Mr.Hobby	Acrycion	Vallejo	Model Master	Tamiya	Humbrol	
A 灰色 Bluish Grey	H 807 807	N 807	--	1741	XF22	128	E 深灰色 Gray	H 805 805	N 805	868	1723	XF58	125	I 消光黑 Flat Black	H 12 33	N 12	950	1749	XF1	33	
B 灰色 Gray	H 808 808	N 808	990	1728	XF19	127	F 银色 Silver	H 8 8	N 8	997	1546	X11	11	J 黑铁色 Steel	H 18 23	N 18	864	1402	XF84	--	
C 天蓝色 Sky Blue	H 129 34	N 25	--	--	X14	--	G 烧铁色 Buen Iron	H 176 61	N 176	863	1795	X10	53	K 胎黑色 Tire Black	H 77 137	N 77	--	--	XF85	--	
D 红色 Insignia Red	H 827 827	N 827	997	1546	X11	11	H 白色 White Insignia	H 816 816	N 816	991	1745	X2	22								

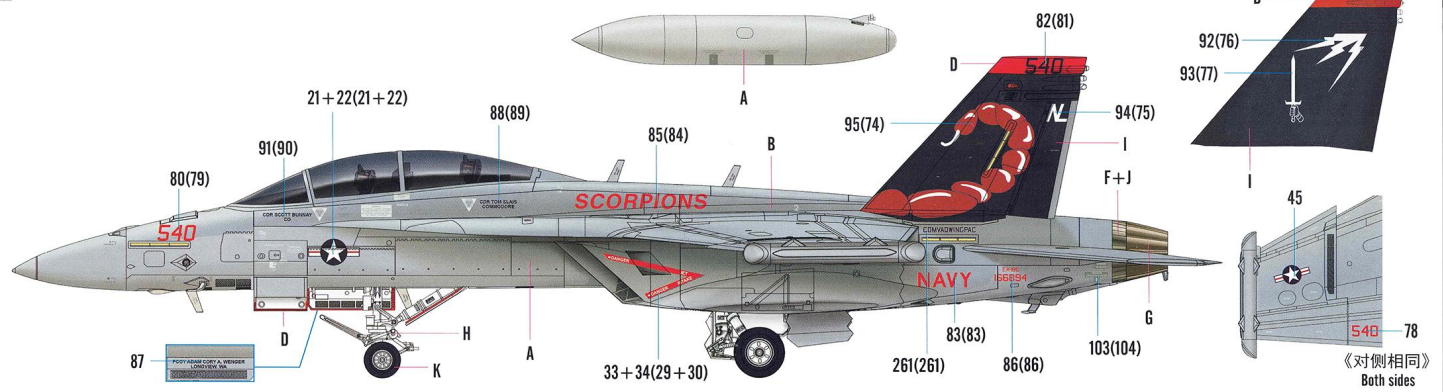
IV VAQ-130 “ZAPPERS” NO.168268 USS HARRY S. TRUMAN 2016



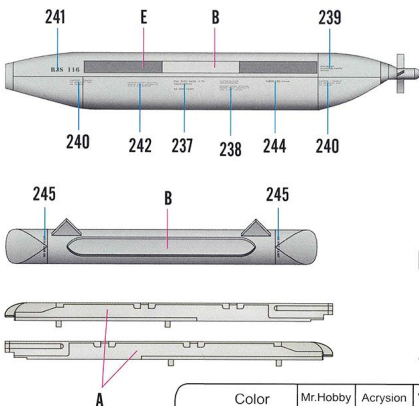
V VAQ-141 “SHADOWHAWKS” NO.166928 USS GEORGE H W BUSH 2010



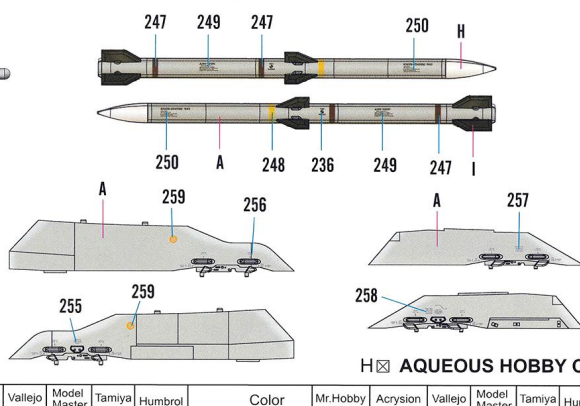
VI VAQ-132 “SCORPIONS” NO.166894 2010



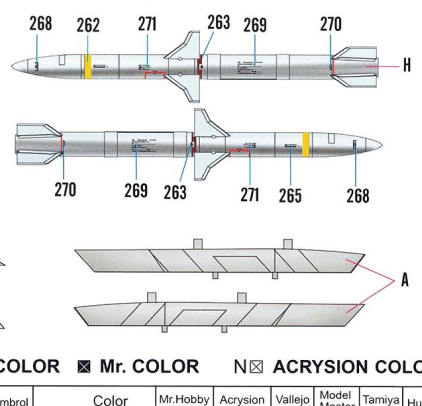
《AN/ALQ-99》



《AIM-120D》



《AGM-88》



H AQUEOUS HOBBY COLOR Mr. COLOR N ACRYSION COLOR

Color	Mr.Hobby	Acrycion	Vallejo	Model Master	Tamiya	Humbrol	Color	Mr.Hobby	Acrycion	Vallejo	Model Master	Tamiya	Humbrol	Color	Mr.Hobby	Acrycion	Vallejo	Model Master	Tamiya	Humbrol			
A	灰色 Ghost Gray	H 807 807	N 807	--	1741	XF22	128	E	深灰色 Gray	H 808 305	N 805	868	1723	XF58	125	I	消光黑 Flat Black	H 12 83	N 12	950	1749	XF1	33
B	灰色 Gray	H 808 308	N 808	990	1728	XF19	127	F	银色 Silver	H 18 8	N 18	997	1546	X11	11	J	黑铁色 Steel	H 18 23	N 18	864	1402	XF84	--
C	天蓝色 Sky Blue	H 125 34	N 23	--	--	X14	--	G	烧铁色 Burnt Iron	H 176 61	N 176	863	1795	X10	53	K	胎黑色 Tire Black	H 77 137	N 77	--	--	XF85	--
D	红色 Insignia Red	H 827 327	N 827	997	1546	X11	11	H	白色 White Insignia	H 616 316	N 616	991	1745	X2	22								