

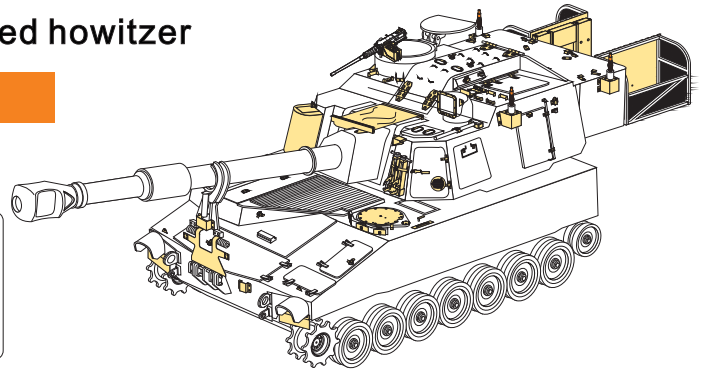
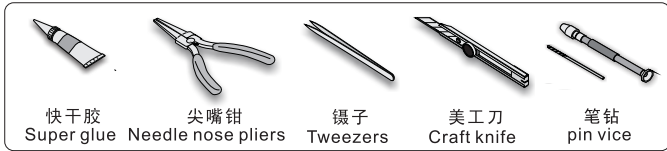
1/35 MILITARY MINIATURE VEHICLE UPGRADE SERIES PE35629

Modern US Army M109A6 Self-propelled howitzer

现代美军M109A6自行榴弹炮改造基本件

[For AFV 35248]

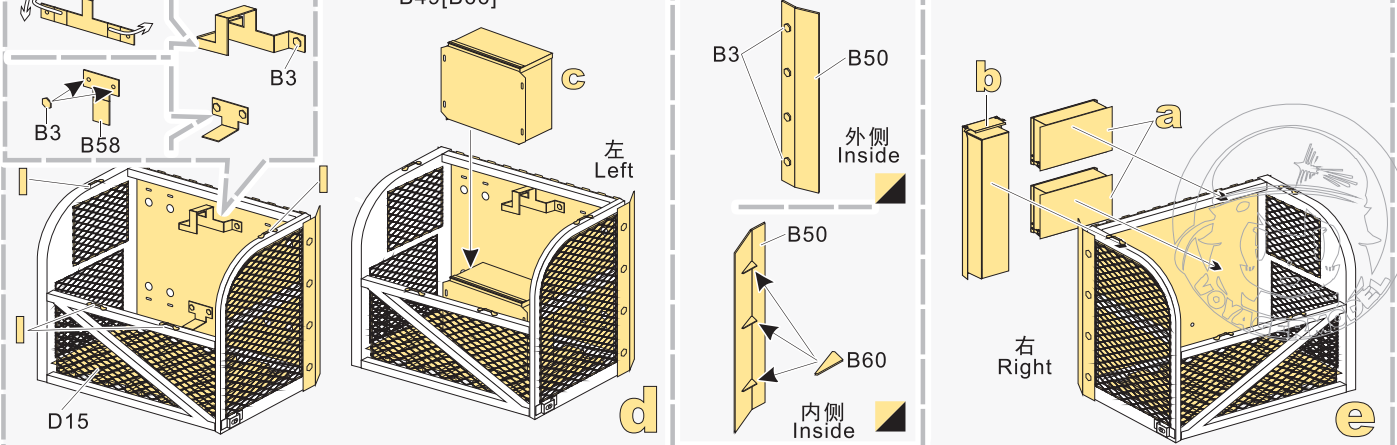
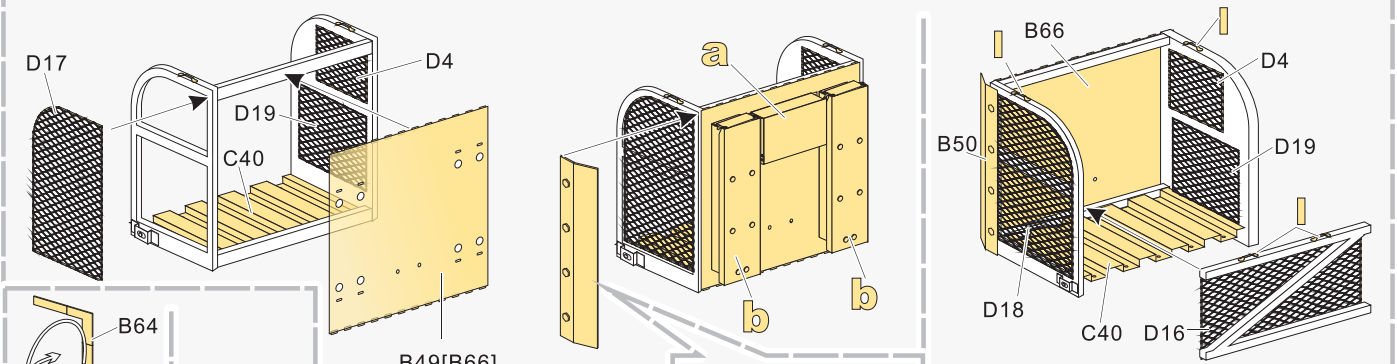
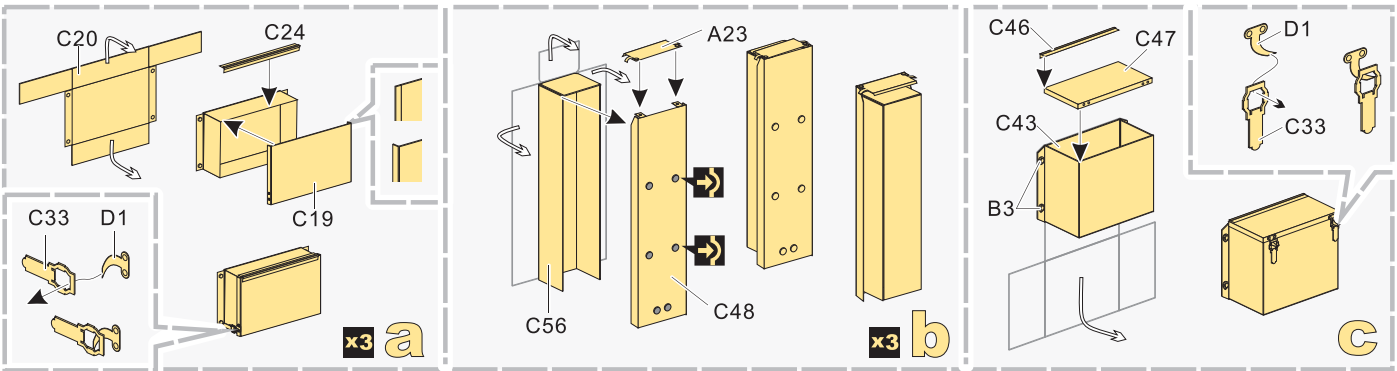
推荐使用工具 RECOMMENDED TOOLS



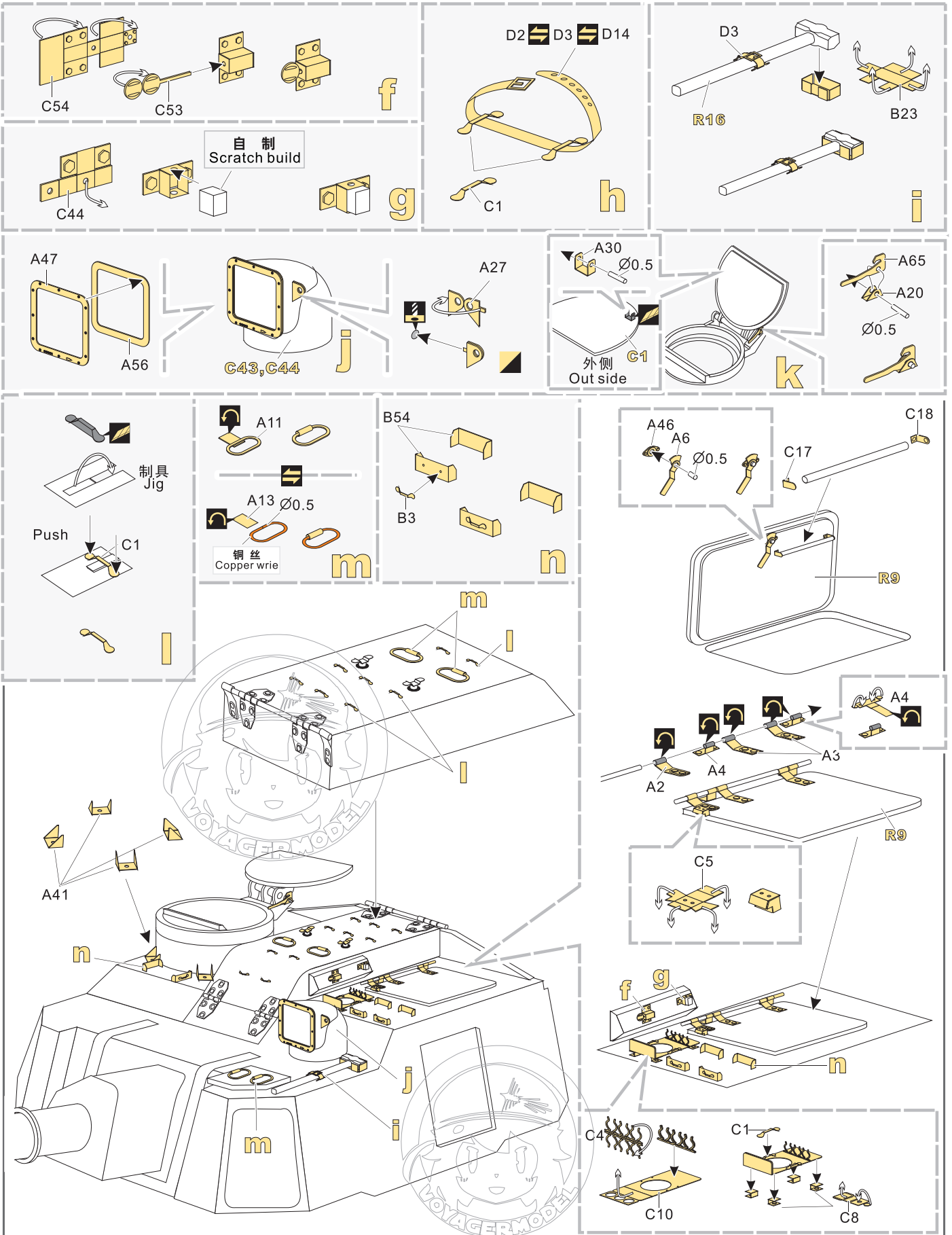
- 安装 install
- 折叠 bend
- A1**
改造件零件编号
PE/resin part number
- B12**
原零件编号
kit part number
- C22**
被替换的原零件编号
replaced kit part number
- 另一侧相同制作
repeat on opposite side
- 切除 remove
- 打磨 grind off
- 弧度卷曲
radial bending
- 制作若干组
multiple assembly
- 选择安装
alternative
- 钻孔 drill
- 用胶棒制作
make from plastic rod

用尖端在凹槽处冲压
use penpoint to press on the dent

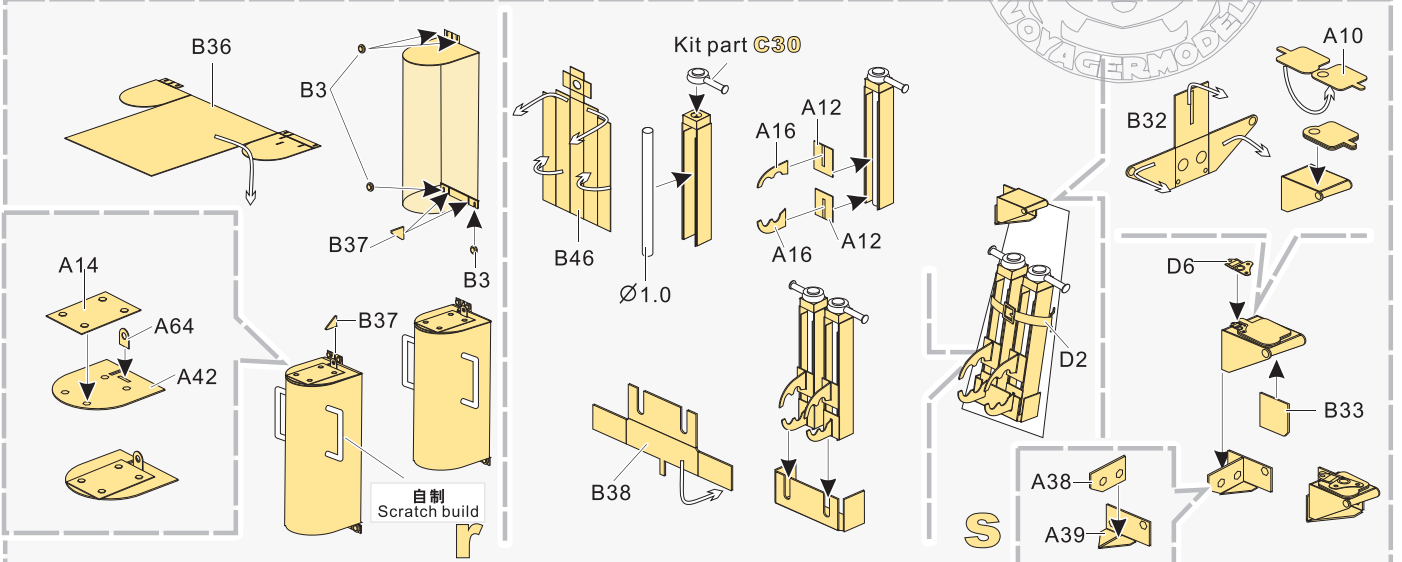
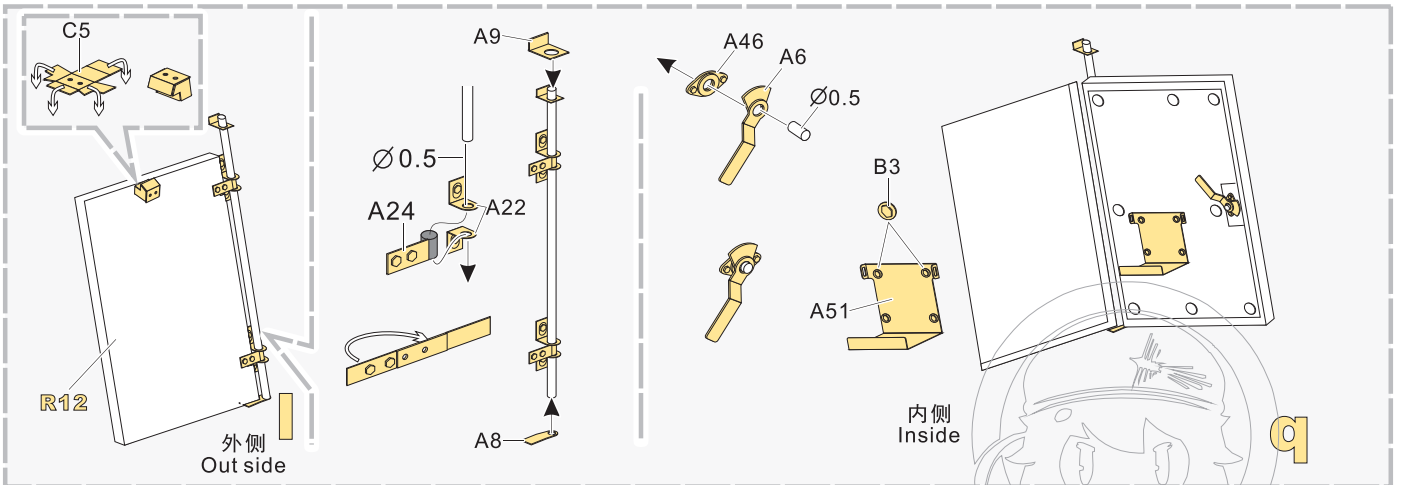
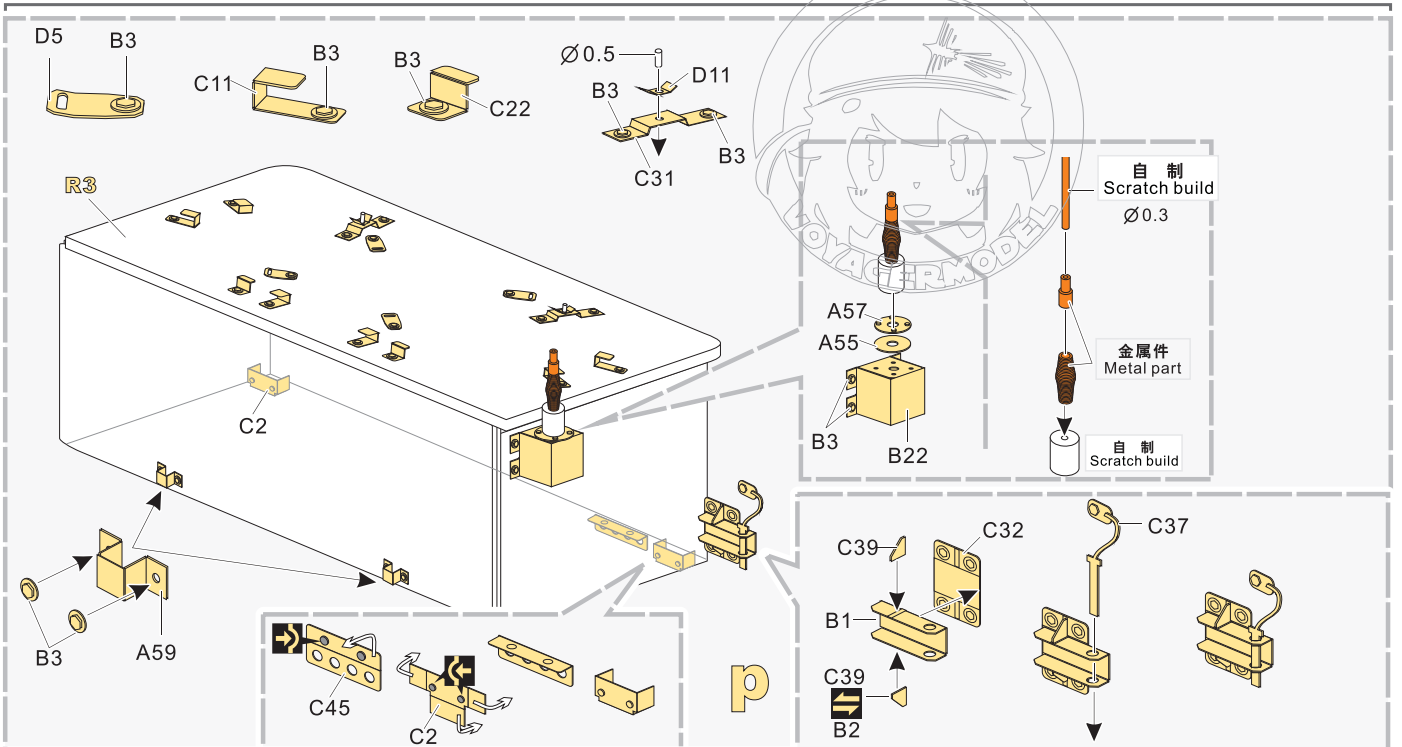
蚀刻片零件内朝面向上
Put the part upside down
用笔尖在凹槽处刺
Use penpoint to press on the dent



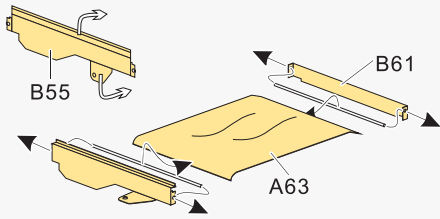
1/35 MILITARY MINIATURE VEHICLE UPGRADE SERIES PE35629



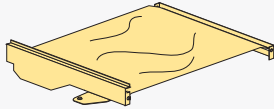
1/35 MILITARY MINIATURE VEHICLE UPGRADE SERIES PE35629



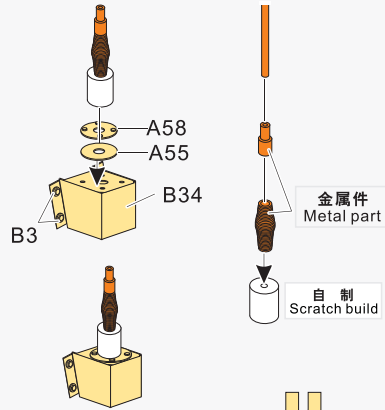
1/35 MILITARY MINIATURE VEHICLE UPGRADE SERIES PE35629



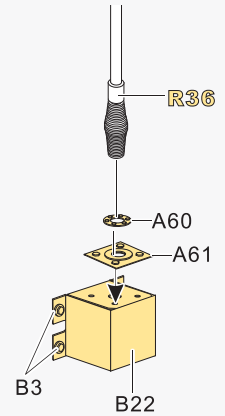
自行弯曲出褶皱
Make wrinkles to simulate
textile effect



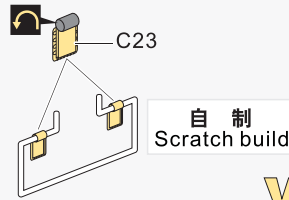
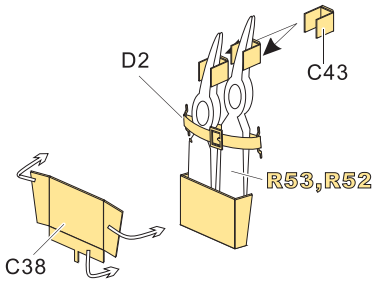
t



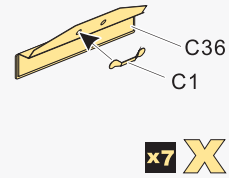
u



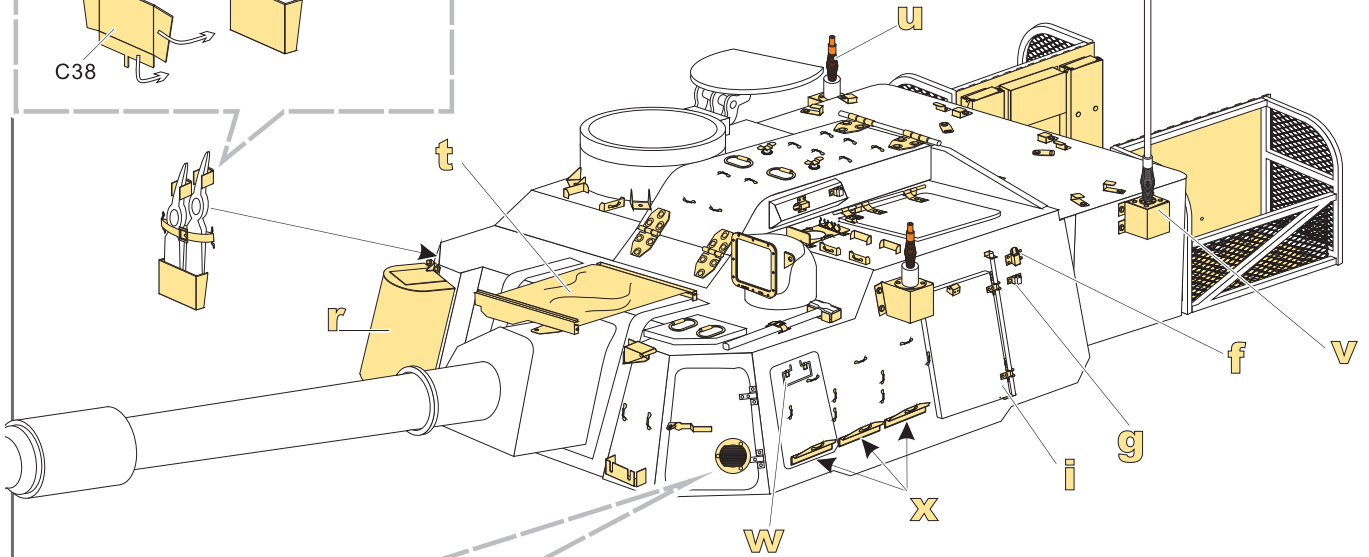
v



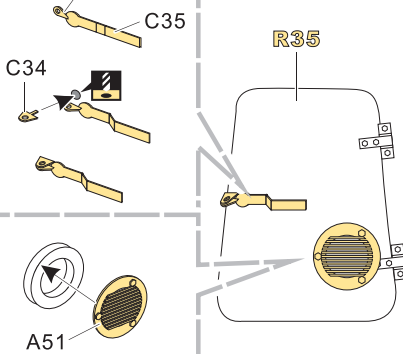
w



x7



拧90°
Twist 90 degree



<http://www.voyagermodel.com/productdetails.asp?itemid=PE35629>

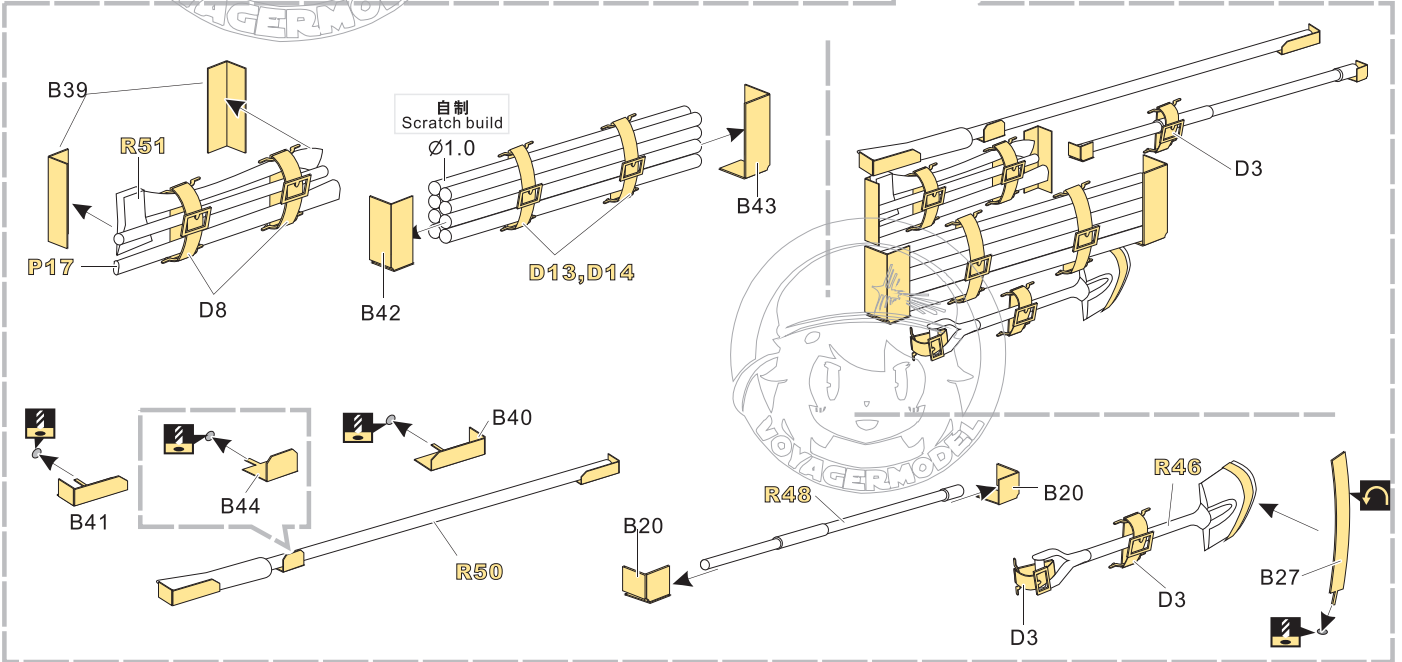
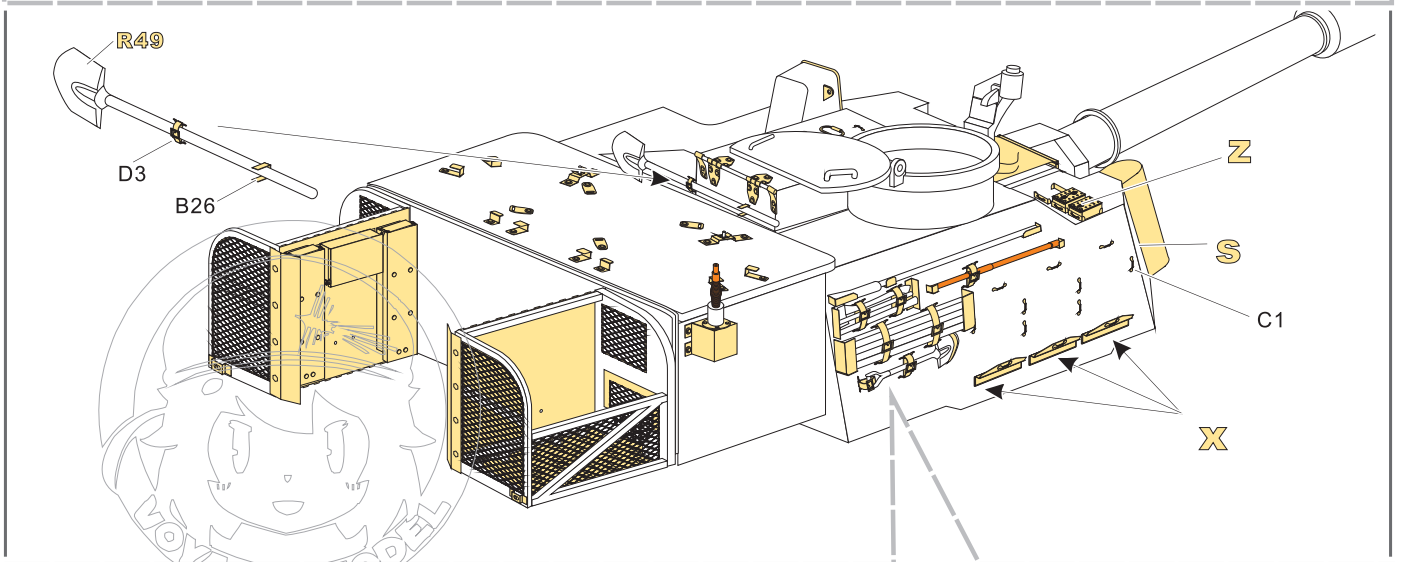
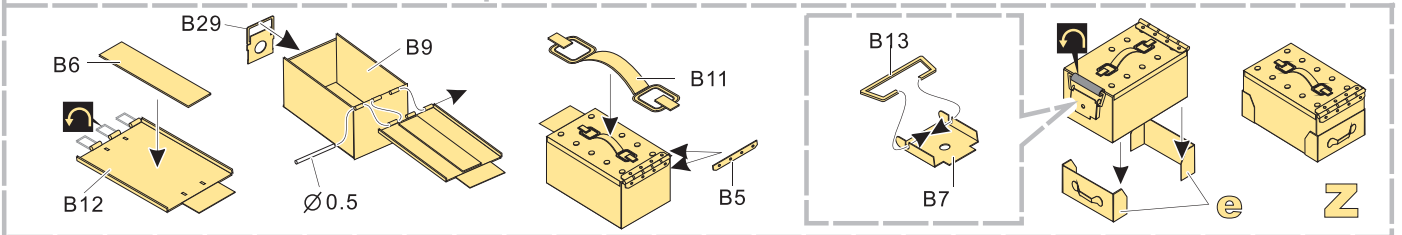
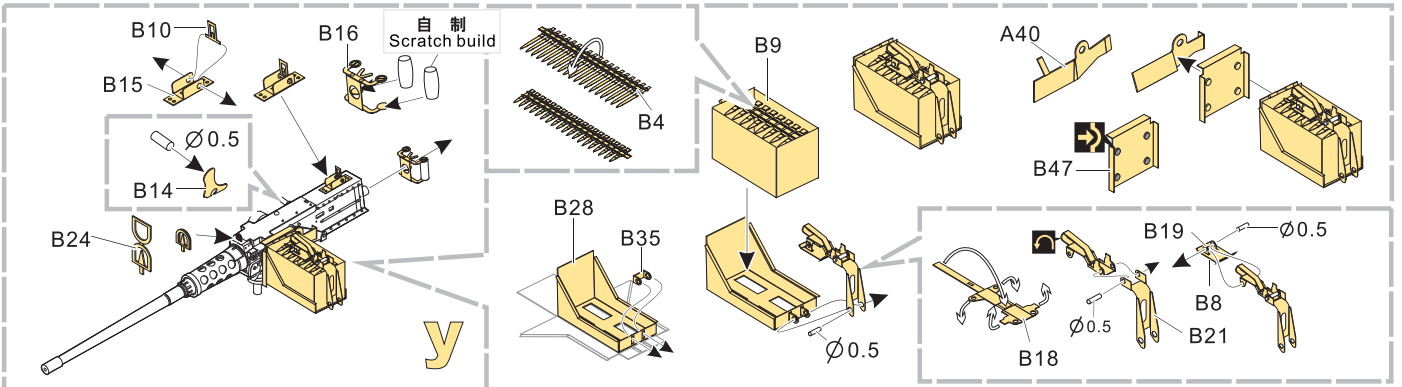


**VOYAGER
MODEL**

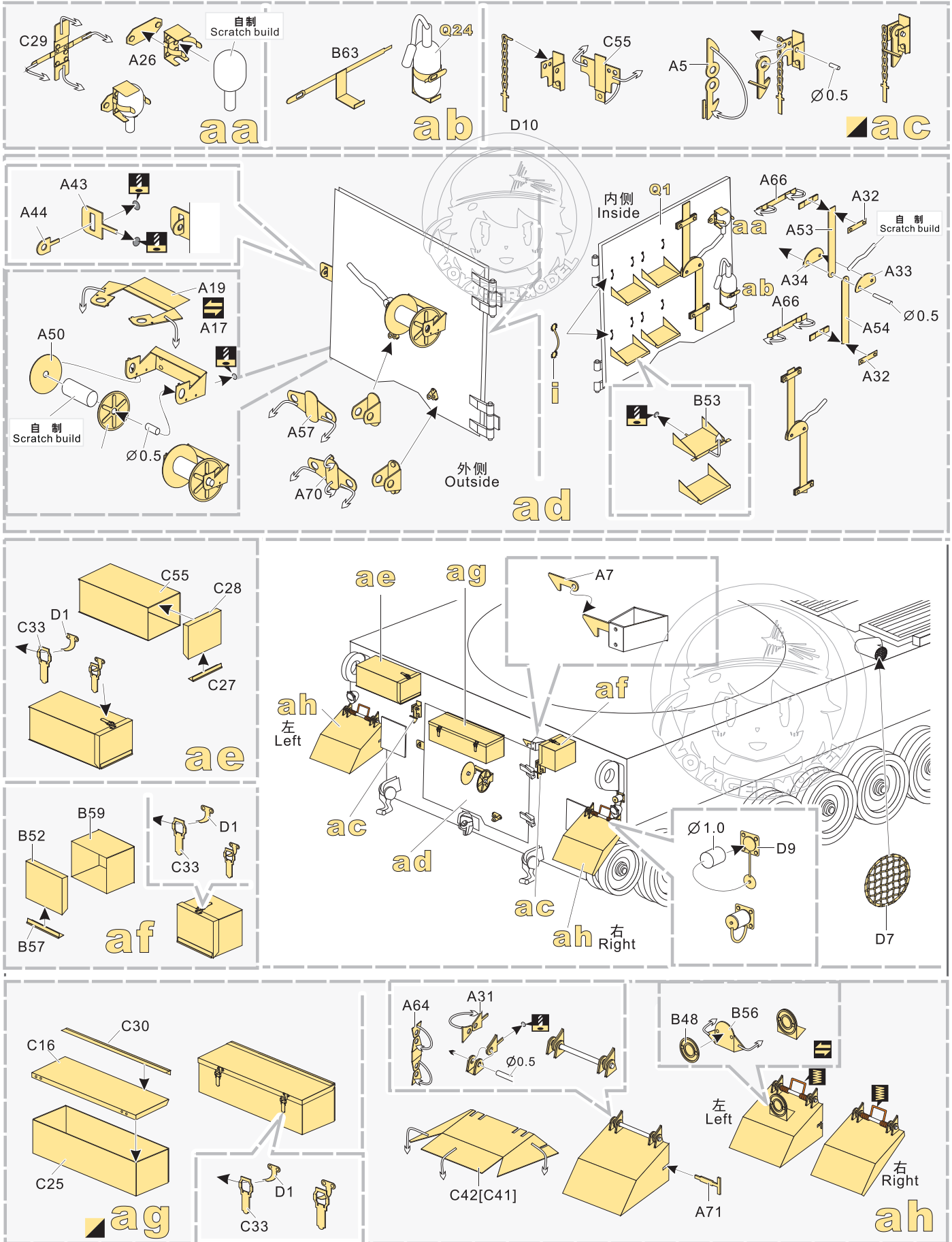


更多PE35629样品照片参考请扫一扫
MORE PICTUER OF PE 35629
REFERENCE SCAN HERE

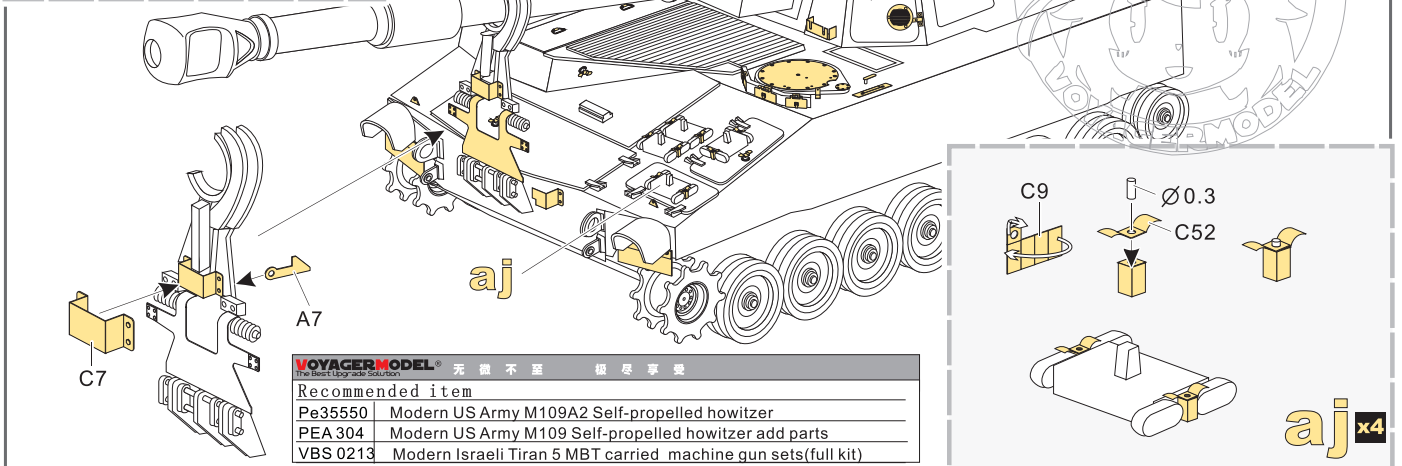
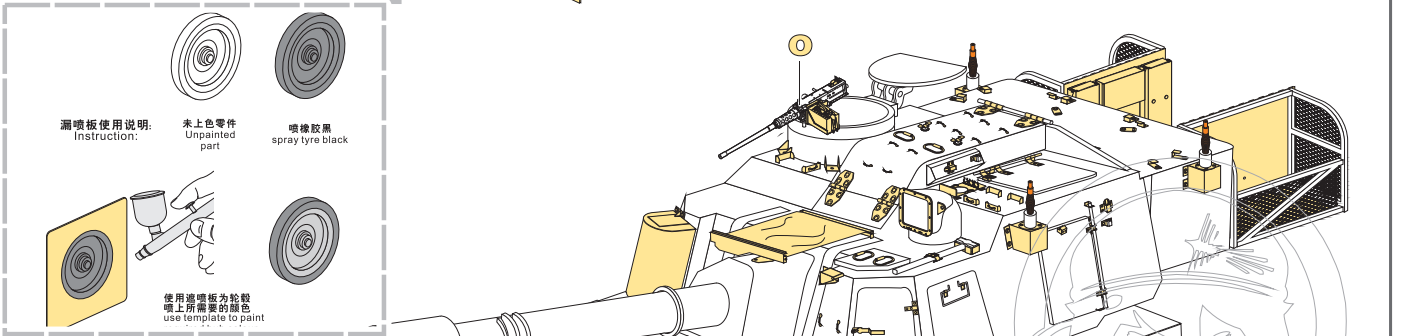
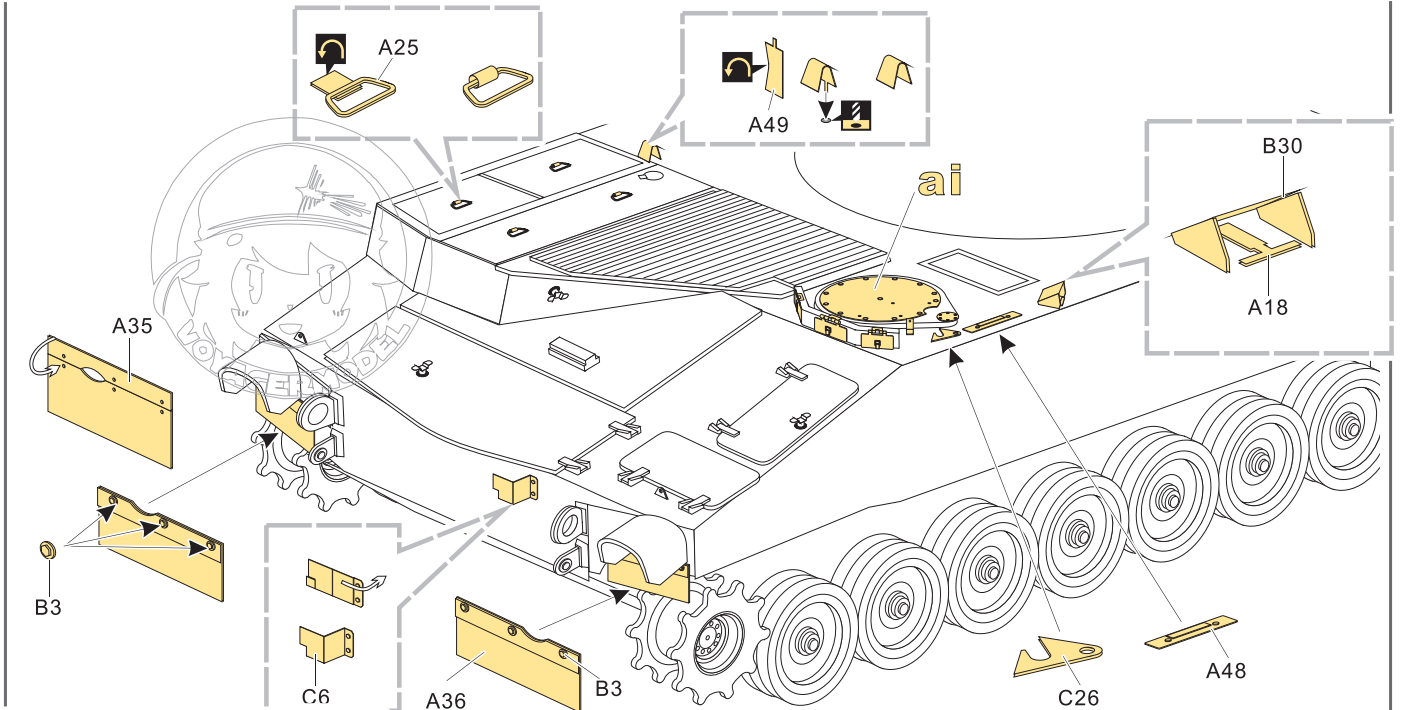
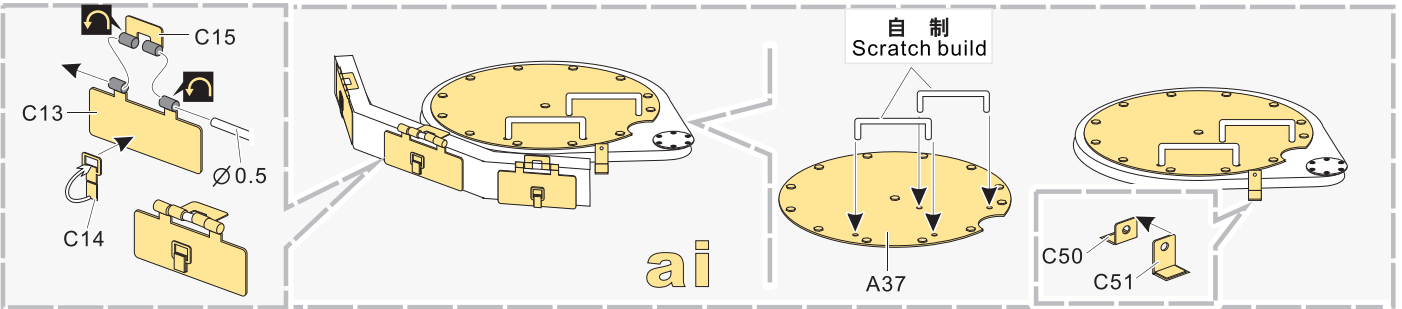
1/35 MILITARY MINIATURE VEHICLE UPGRADE SERIES PE35629



1/35 MILITARY MINIATURE VEHICLE UPGRADE SERIES PE35629



1/35 MILITARY MINIATURE VEHICLE UPGRADE SERIES PE35629



VOYAGERMODEL[®] 无微不至 精益求精

Recommended item	
Pe35550	Modern US Army M109A2 Self-propelled howitzer
PEA 304	Modern US Army M109 Self-propelled howitzer add parts
VBS 0213	Modern Israeli Tiran 5 MBT carried machine gun sets(full kit)

aj x4