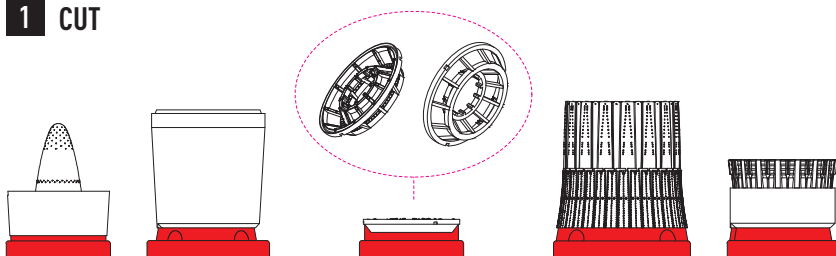
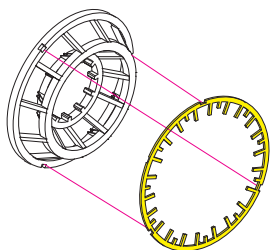


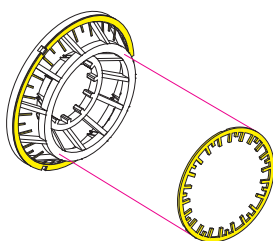
### 1 CUT



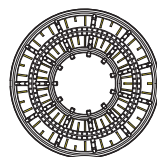
### 2



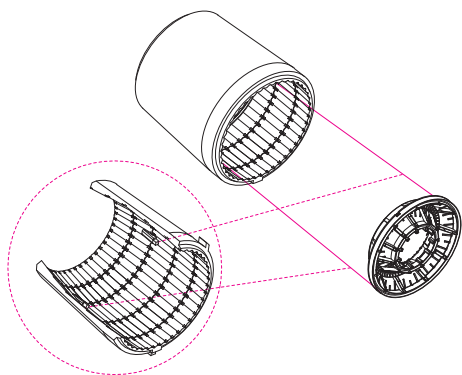
### 3



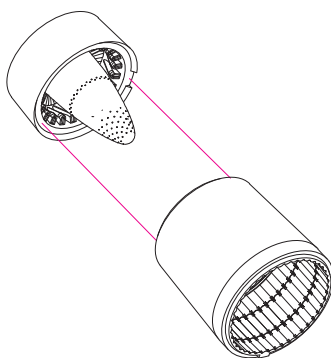
### LOCATION OF PARTS



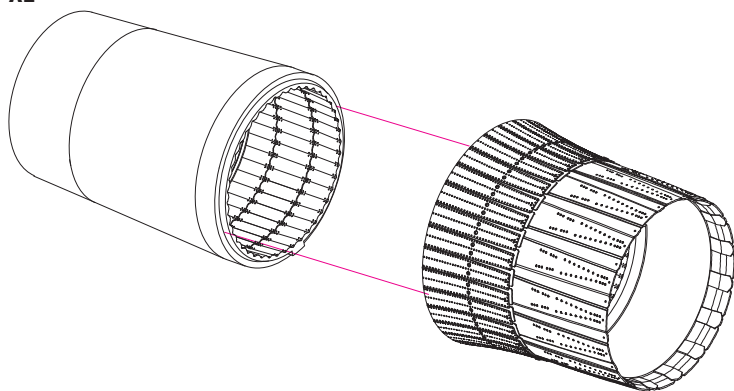
### 4 X2



### 5 X2



**6** X2



**7** X2

