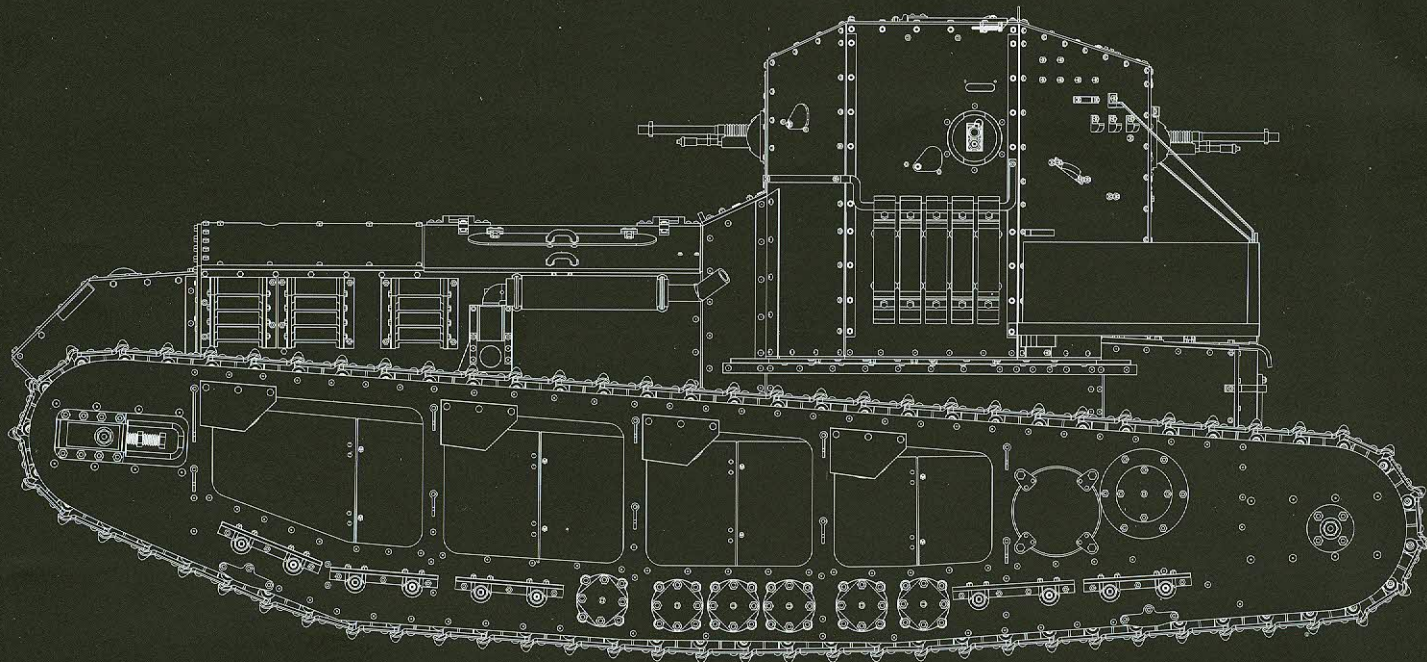


WWI MEDIUM TANK

Mk.A WHIPPET

The Mk.A Whippet medium tank was a British tank of the First World War. It was intended to complement the slower British heavy tanks by using its relative mobility and speed in exploiting any break in the enemy lines. Whippets later took part in several of the British Army's postwar actions, notably in Ireland, North Russia and Northeast China. A few (perhaps six) were exported to Japan, where they remained in service until around 1930.

This armoured fighting vehicle was intended for fast mobile assaults. Although the track design appears more "modern" than the British Tanks Mark I to V, it was directly derived from Little Willie, the first tank prototype, and was unsprung. The crew compartment was a fixed, polygonal turret at the rear of the vehicle, and two engines of the type used in contemporary double-decker buses were in a forward compartment, driving one track each.



READ BEFORE ASSEMBLY

CAUTION

- Read carefully and fully understand the instructions before commencing assembly. A supervising adult should also read the instructions if a child assembles the model.
- When assembling this kit, tools including knives used. Extra care should be taken to avoid personal injury.
- Keep out of reach of small children. Children must not be allowed to suck any part, or pull vinyl bag over their heads.



Instant Glue
for Metal



Do Not
Cement



Painting



Bend



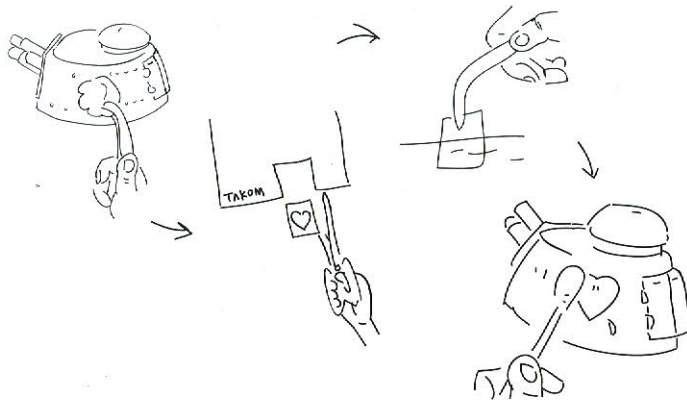
Be Careful

PAINTS REQUIRED

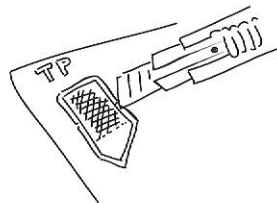
Color info and profiles by Mig Jimenez

APPLYING DECALS

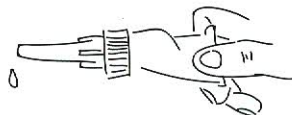
1. Clean the model surface with a wet cloth.
2. Cut out each decal design from sheet, and dip it in tepid water for 15-20 sec.
3. Hold the backing sheet edge and slide decal onto the model.
4. Move decal into position by wetting decal with finger.
5. Press decal gently down with a soft cloth until excess water and air bubbles are gone.



REMOVING PE



Be careful not to hurt when removing PE parts.

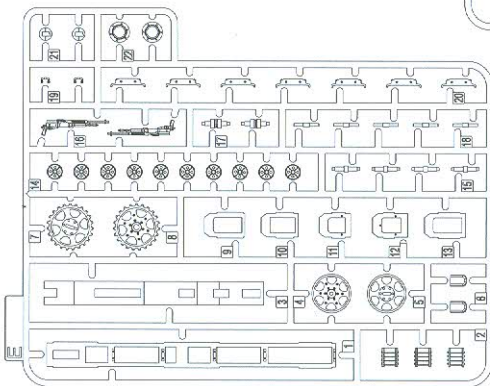
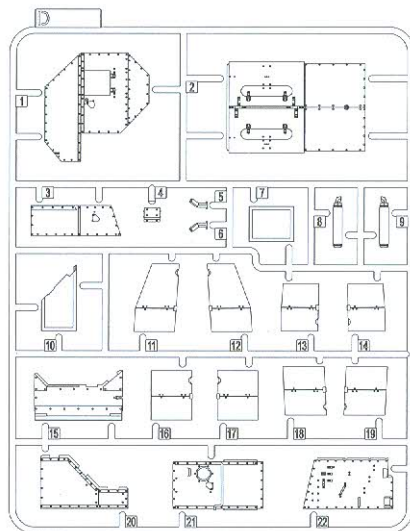
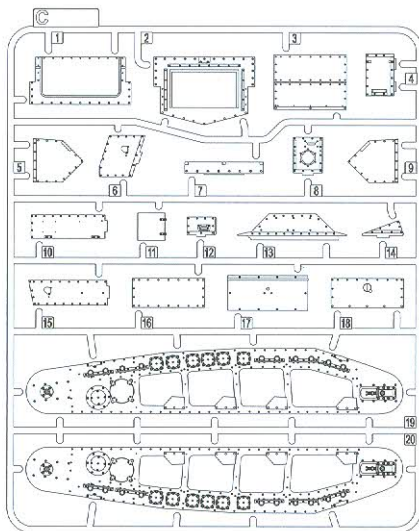
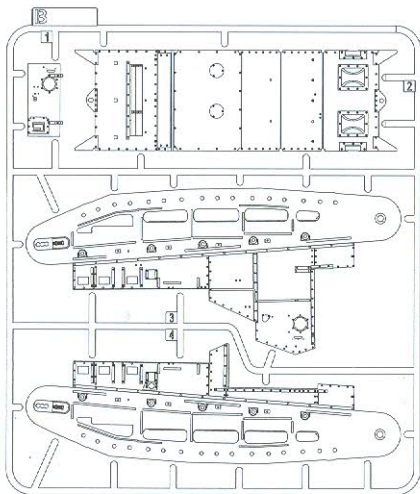


Secure using instant glue (not included).

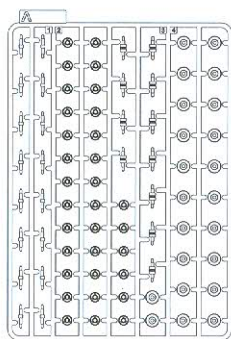


Finish using file.

PARTS



x2



x2



PE

Tracks
x146



Decal

Only for #2025x Limited Edition



Resin figure

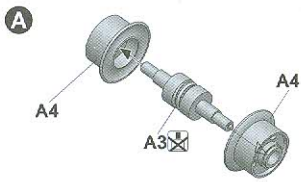
日本限定版
1,680

Decal

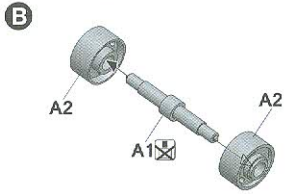


x2

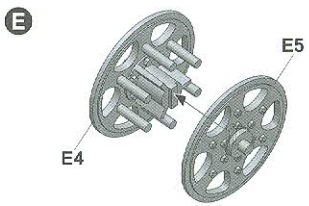
1



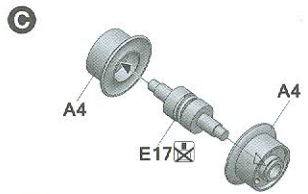
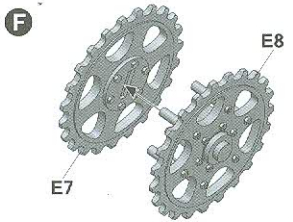
Make 10



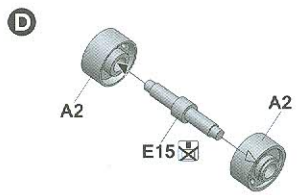
2



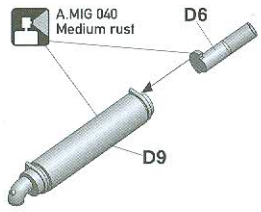
Make 2



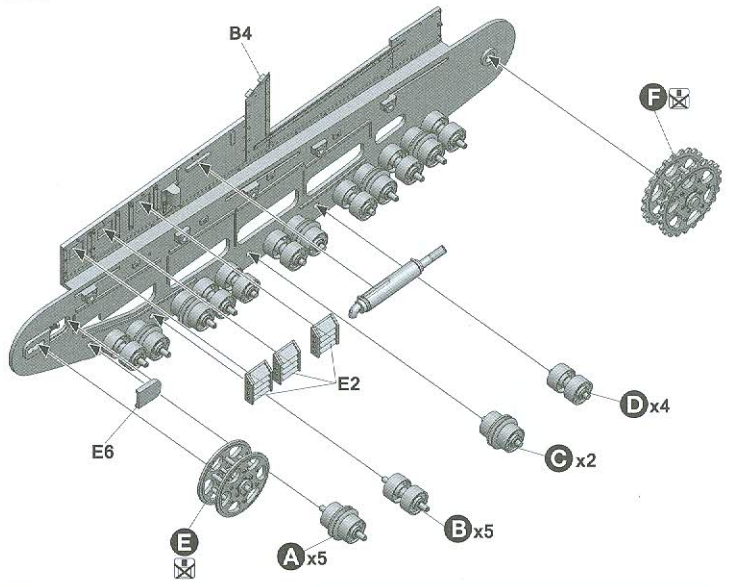
Make 4



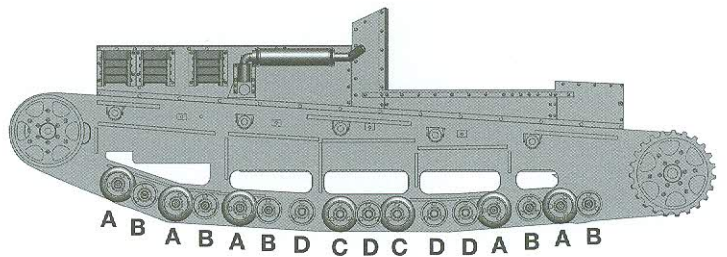
Make 8



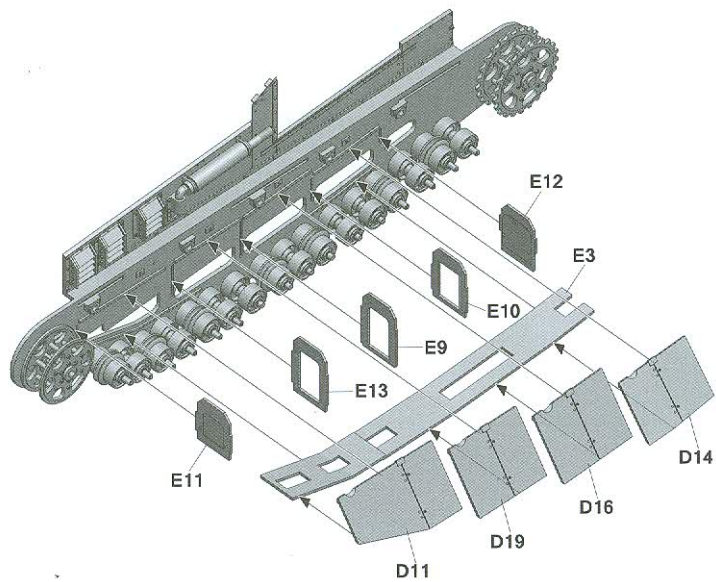
3



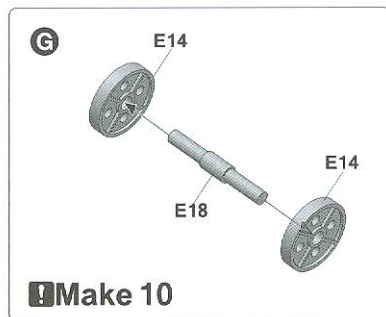
4



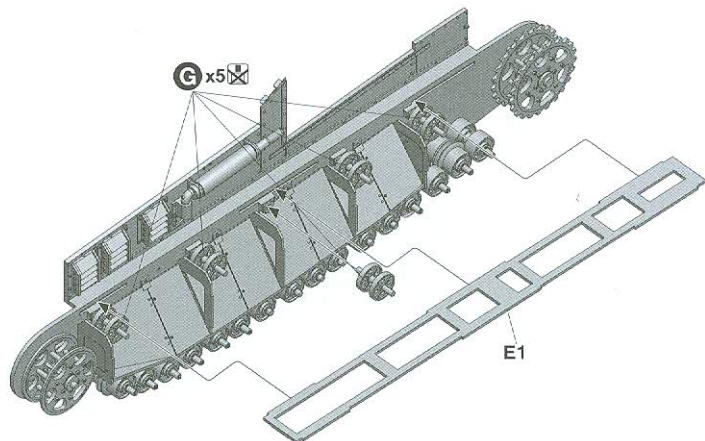
5

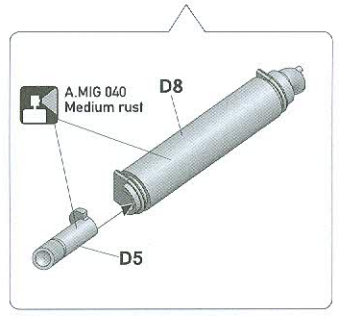
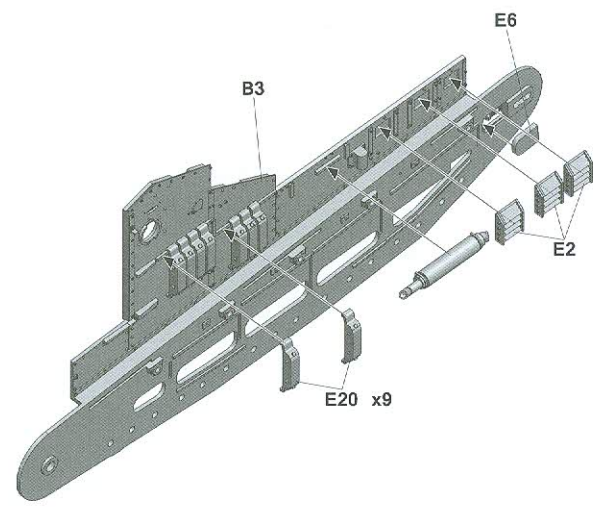
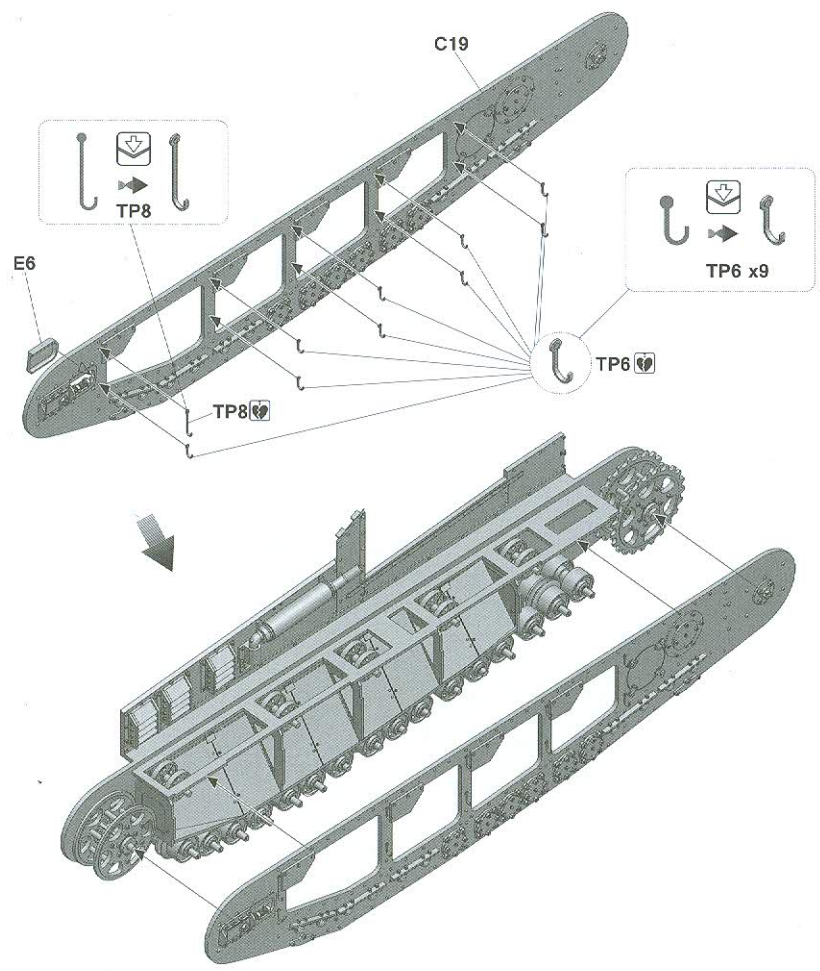


6

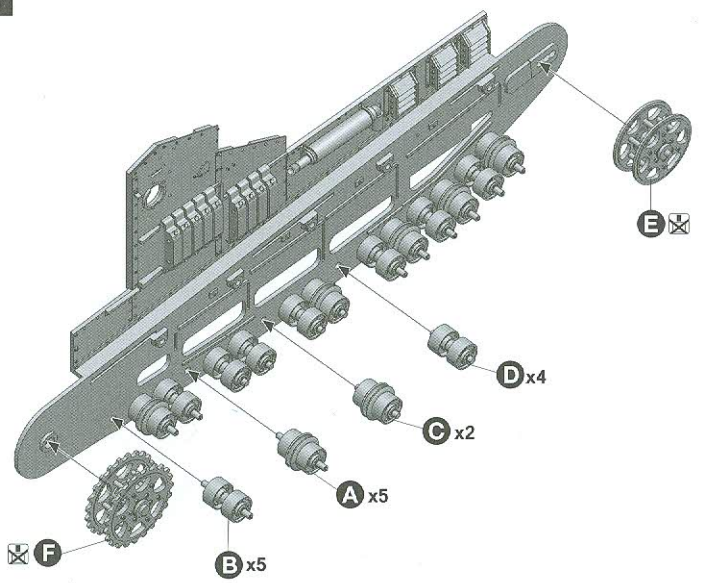


Make 10

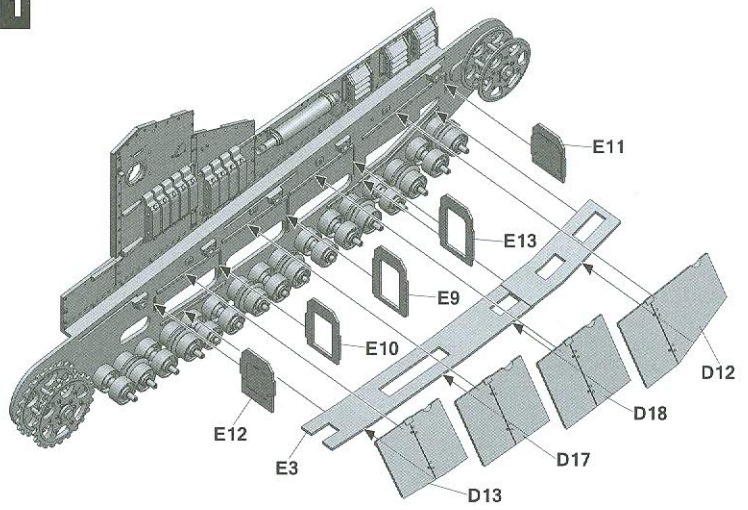




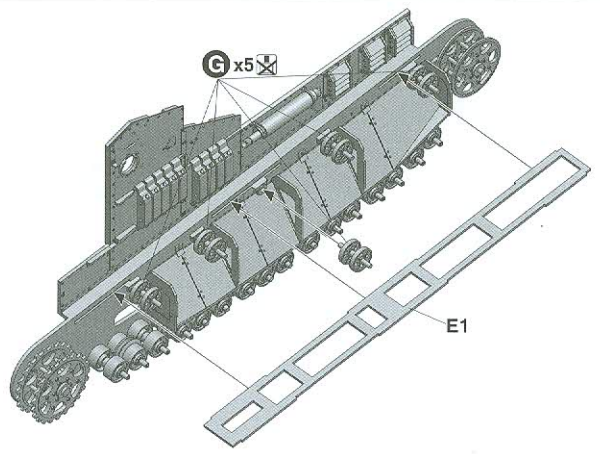
9



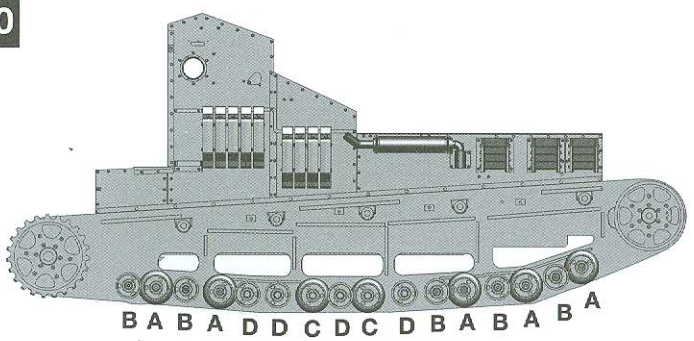
11



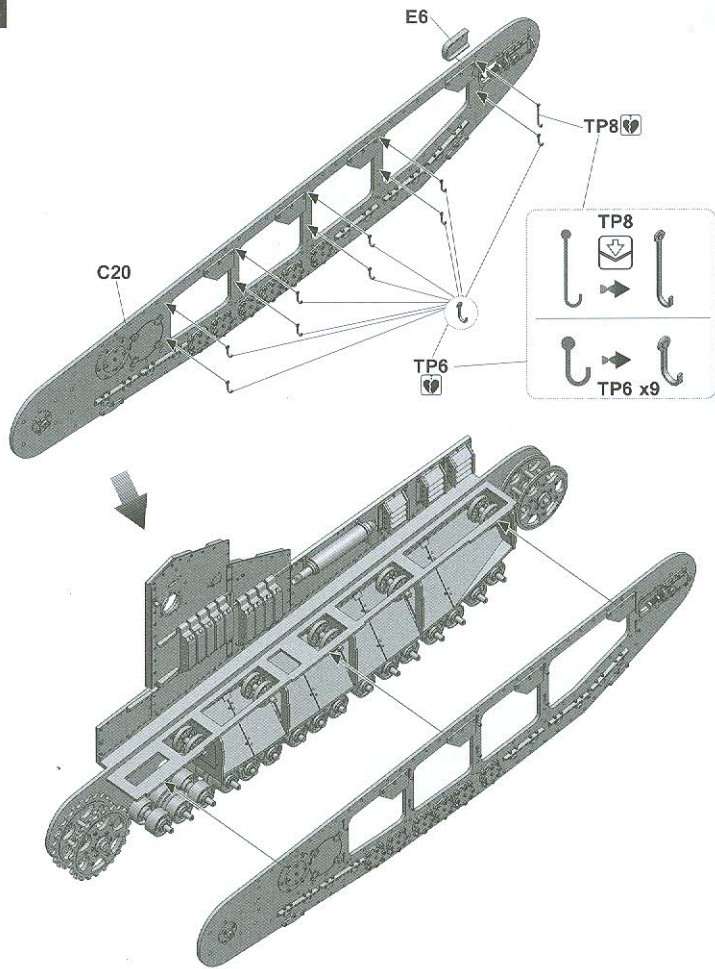
12



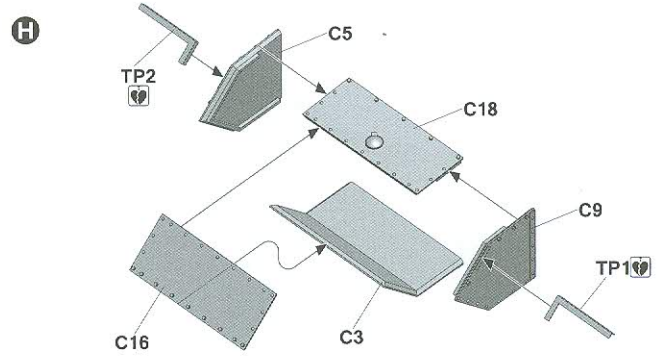
10



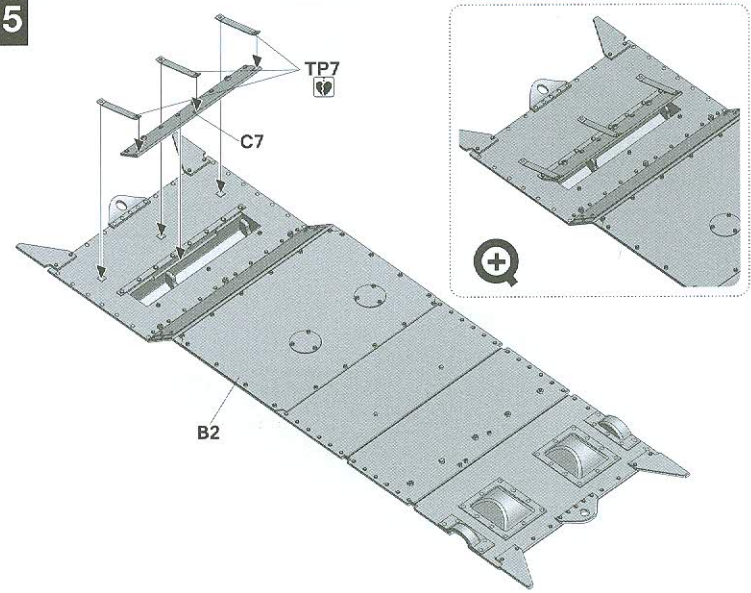
13



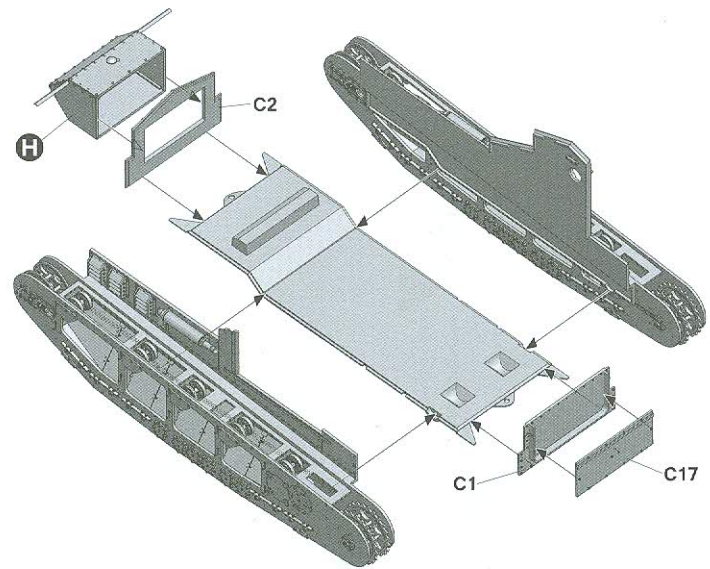
14



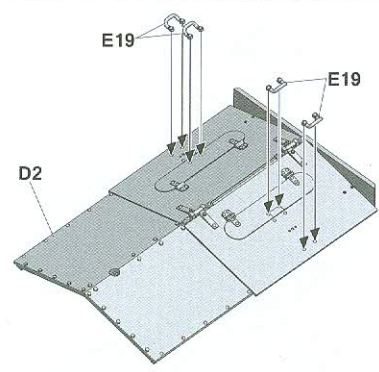
15



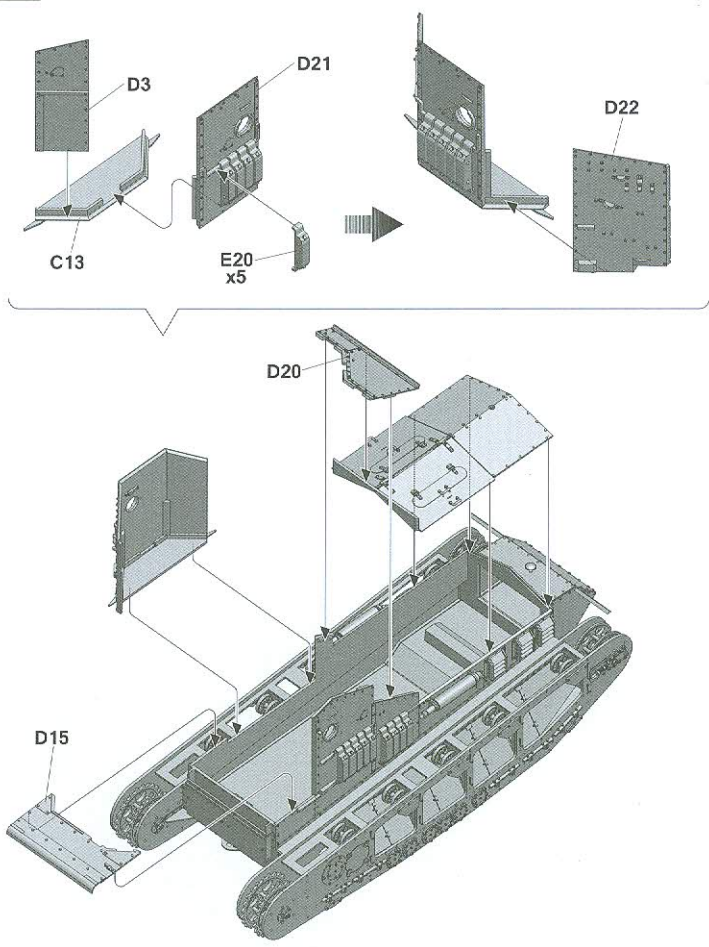
16

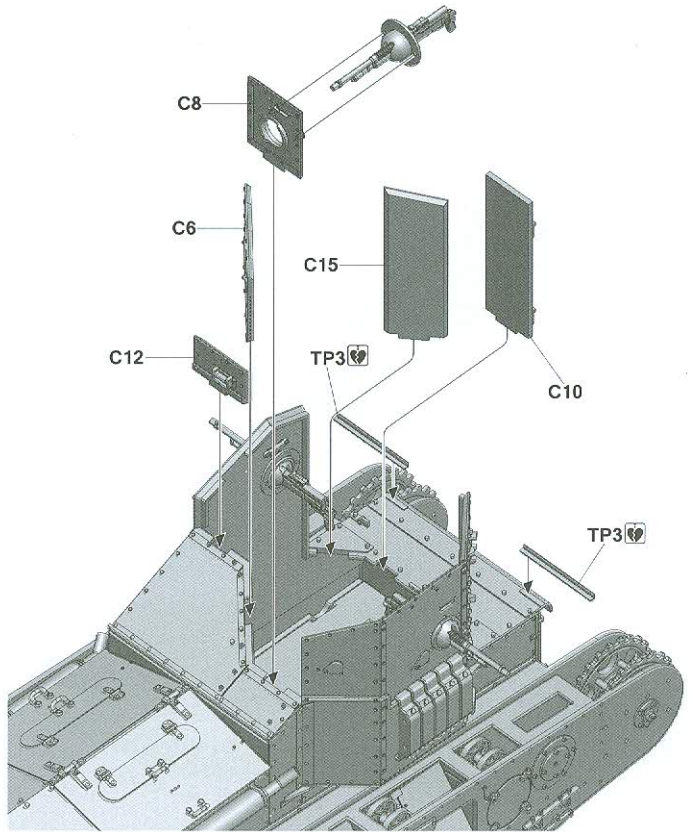
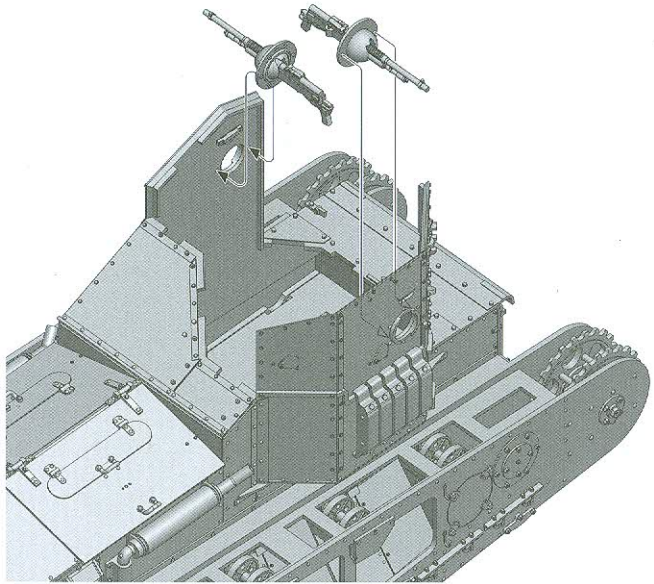
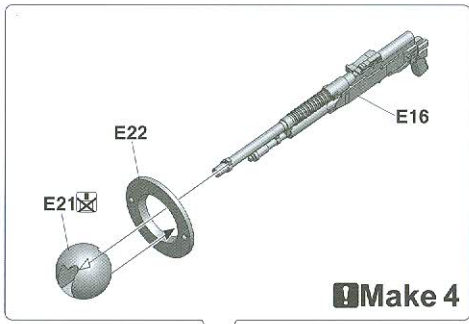


17

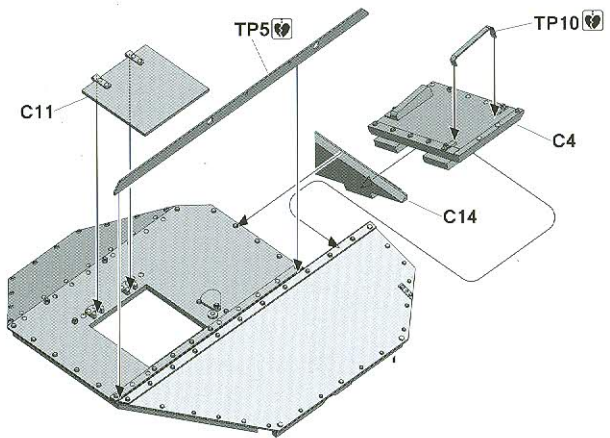


18

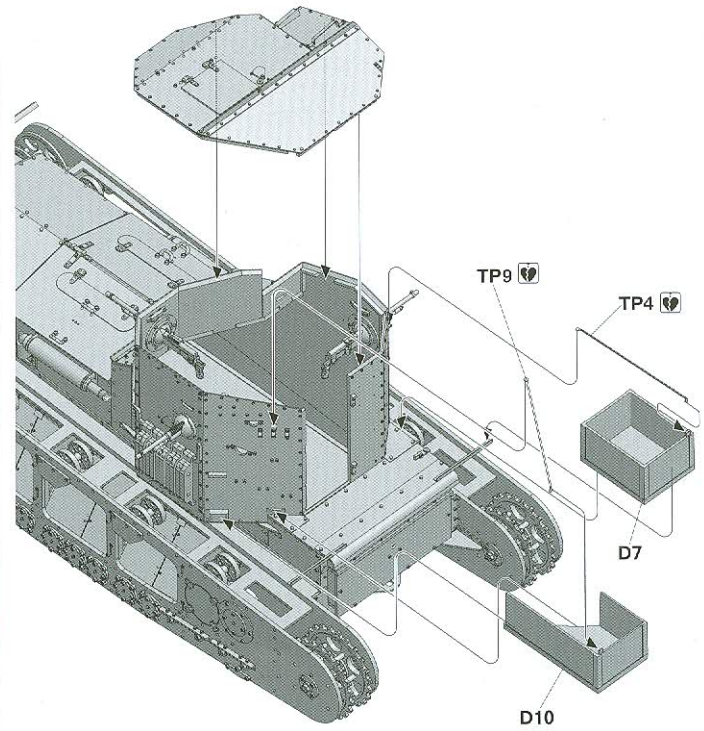




21

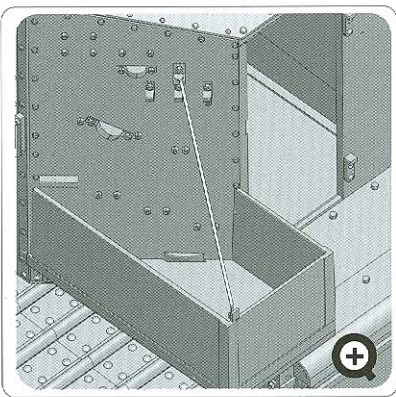


22

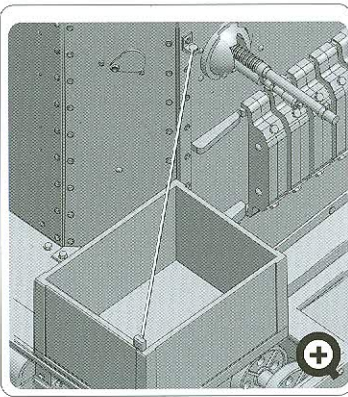


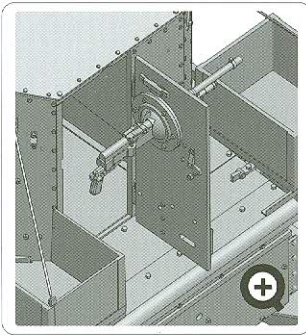
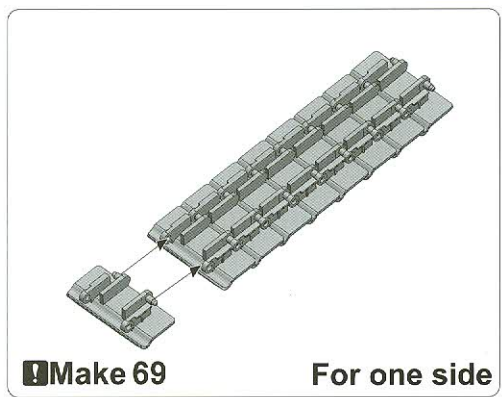
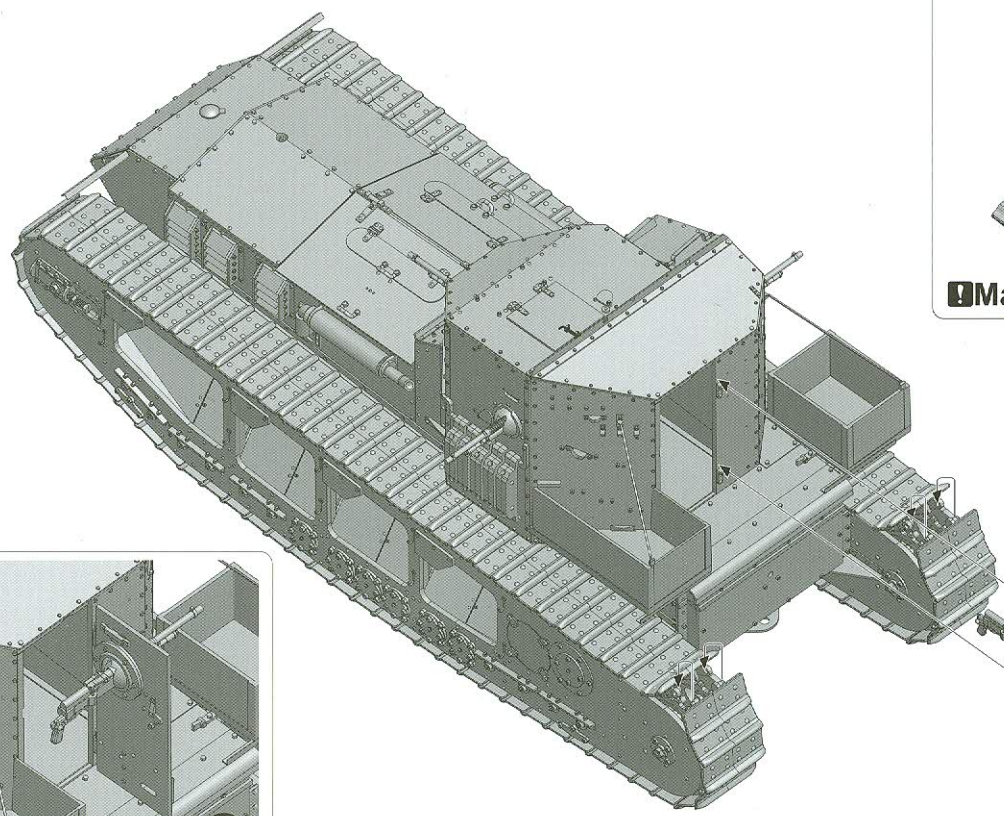
23

TP9



TP4





Open

Make 69

For one side

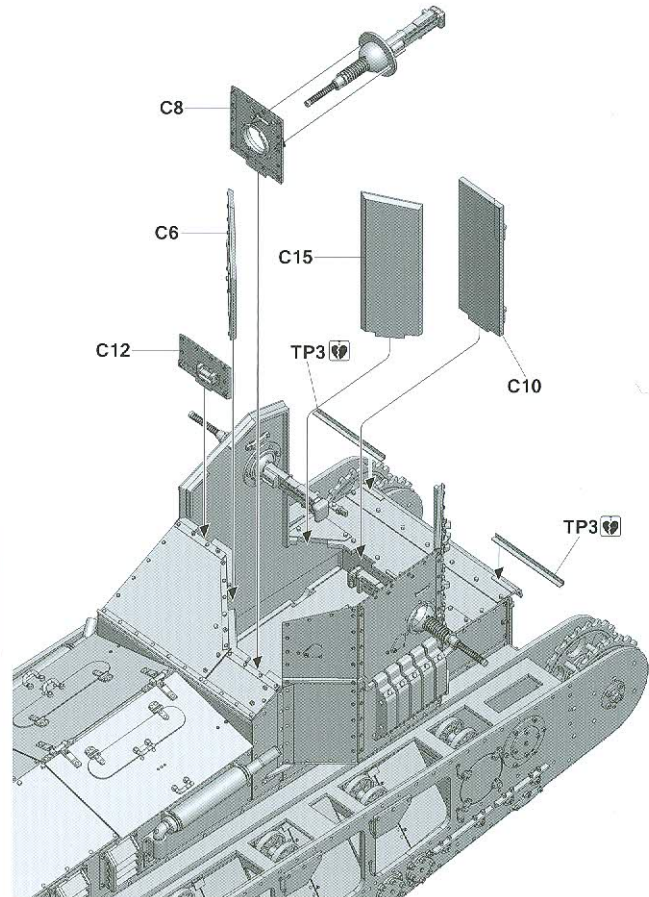
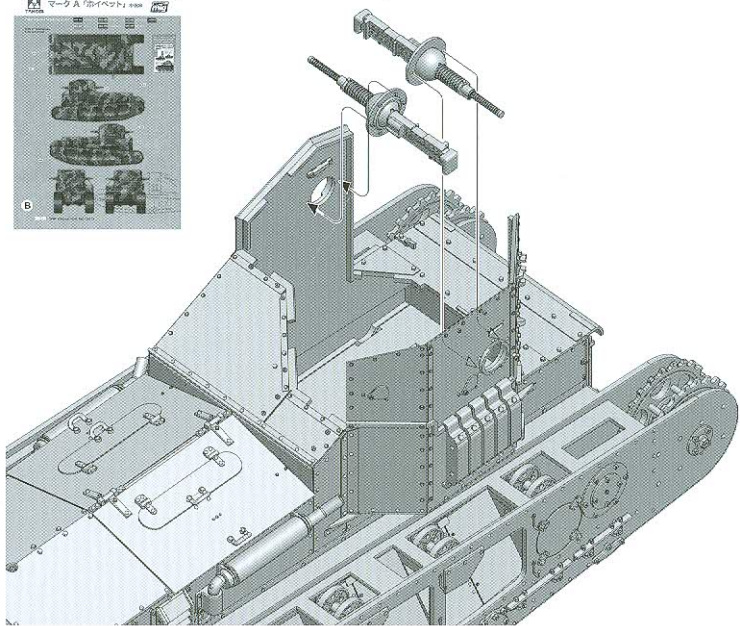
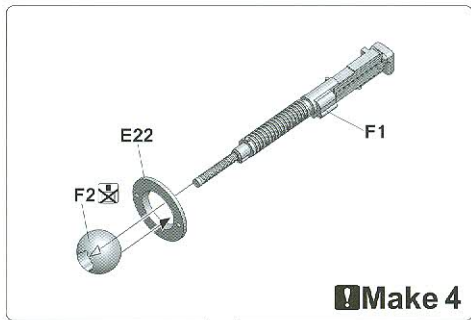
B7
D4

2015/2025

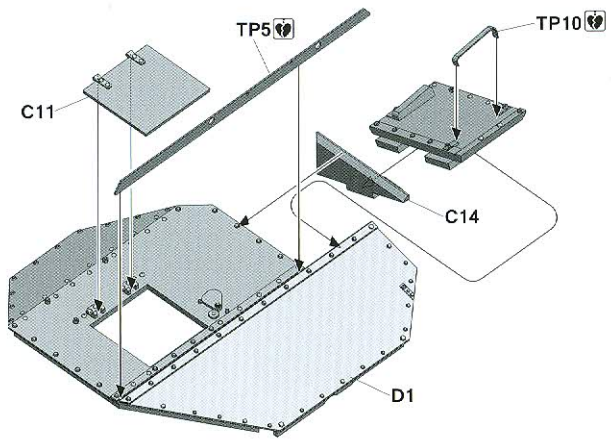


You can find TAKOM on [Facebook.com](https://www.facebook.com)

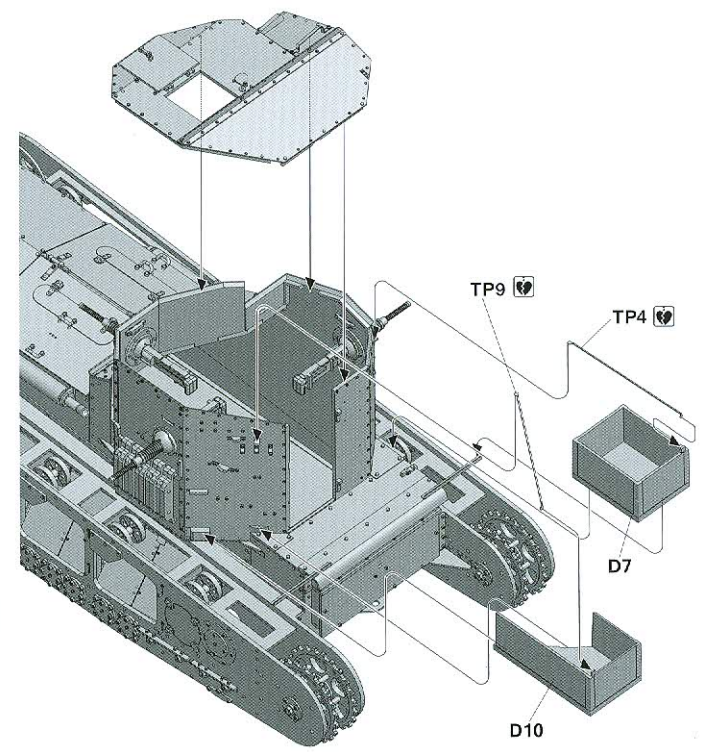
B



21

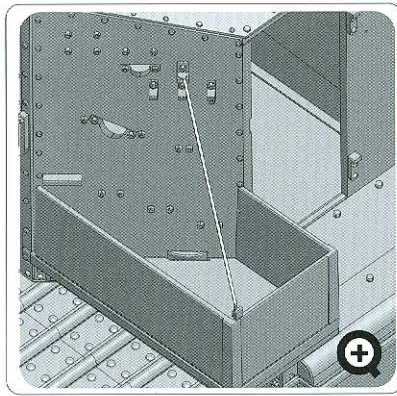


22

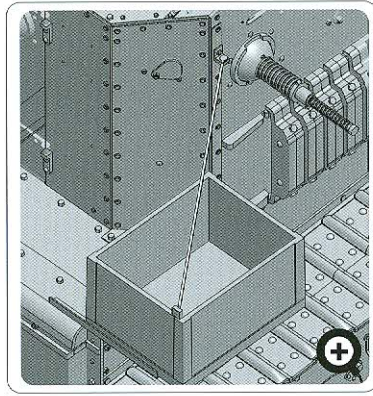


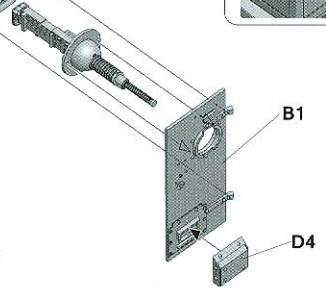
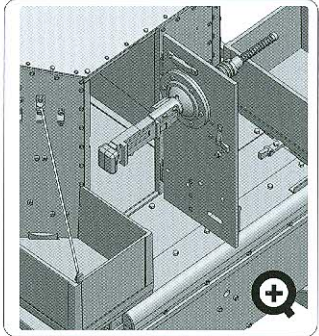
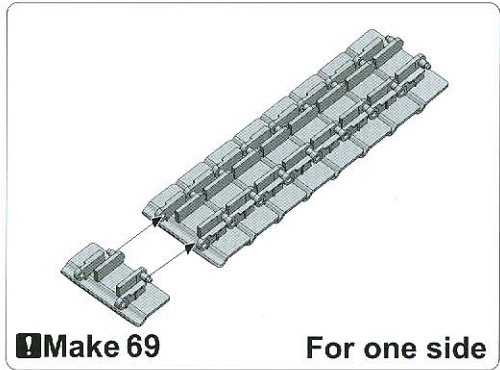
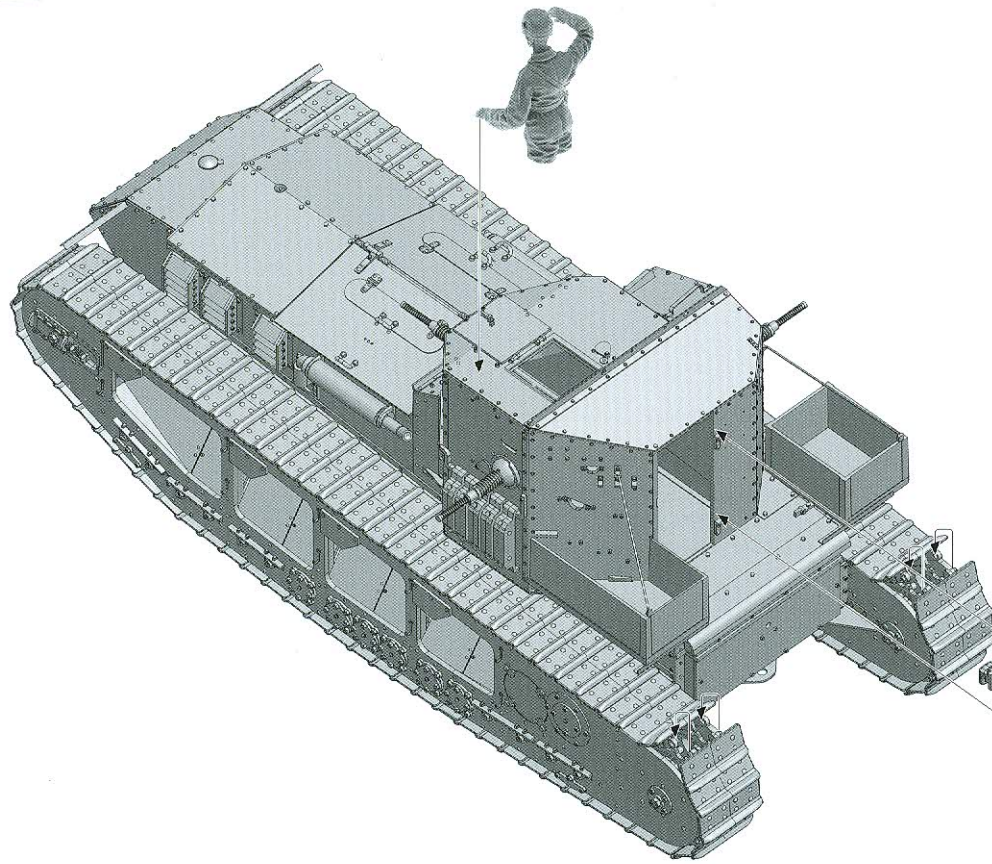
23

TP9

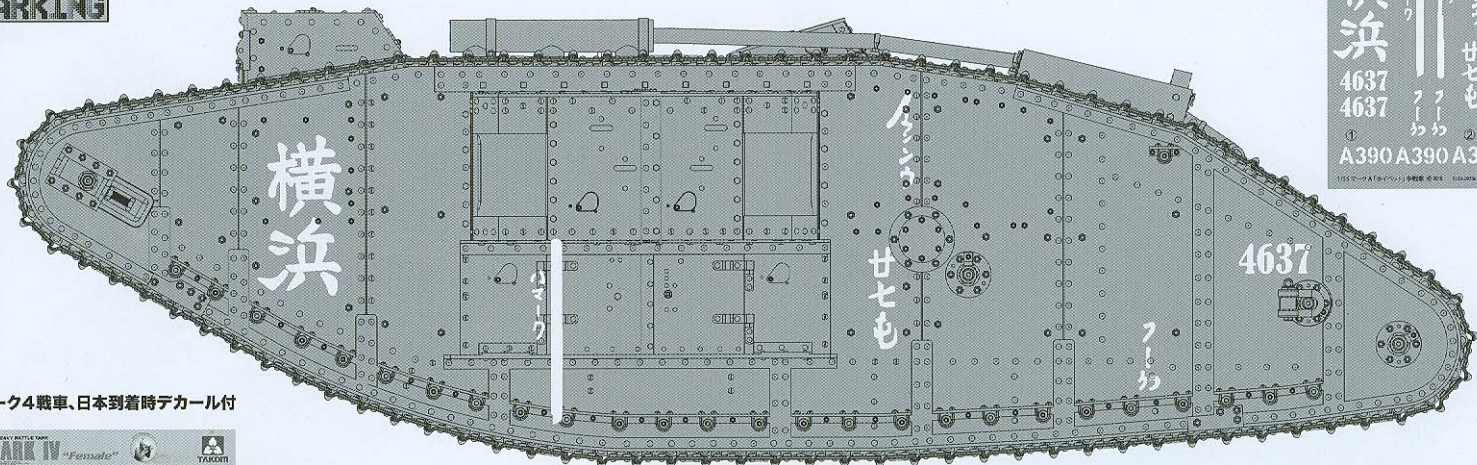


TP4





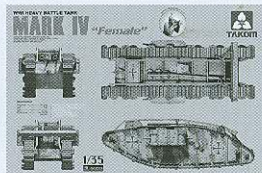
SPECIAL MARKING



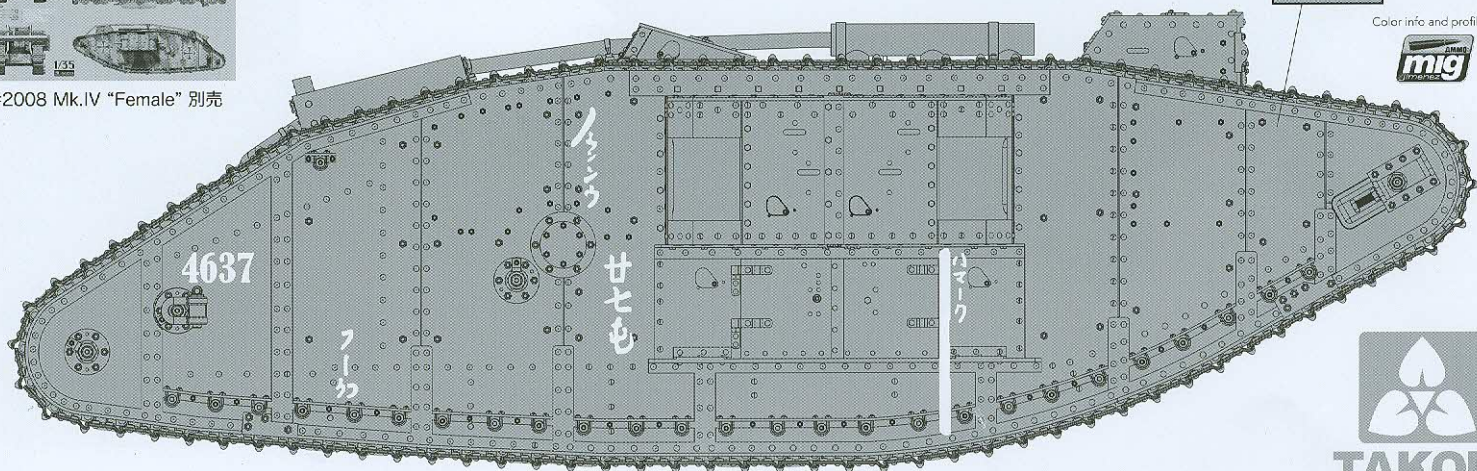
横濱
4637
4637
A390 A390 A390

インシラウ
ガセモ
ガセモ
フーカ
フーカ
★

マーク4戦車、日本到着時デカール付



#2008 Mk.IV "Female" 別売



A.MIG 074 Green Moss

Color info and profiles by



TAKOM
03.02.2025x

Painting and Marking Guide

A.MIG 040 Medium Rust

A.MIG 045 Gun Metal

A.MIG 035 Dark Tracks

A.MIG 049 Red

A.MIG 074 Green Moss

A.MIG 047 White

1925, Chiba Infantry School (Japan)

074



035

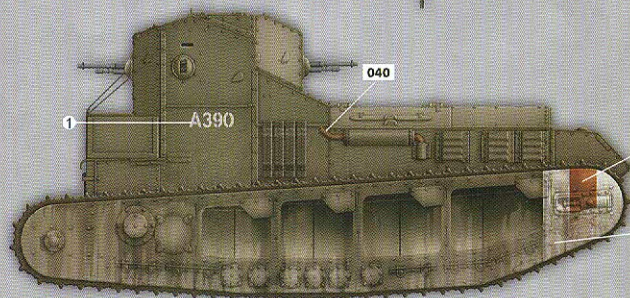
1

A390

040

049

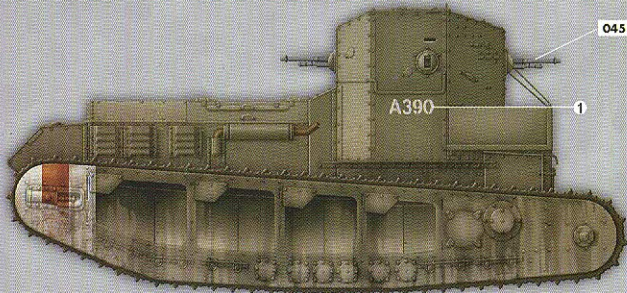
047



045

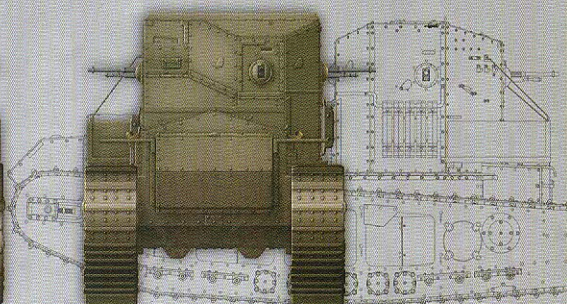
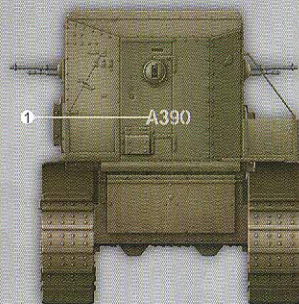
A390

1



1

A390


A

Painting and Marking Guide

AMIG 046 Matt Black

AMIG 045 Gun Metal

AMIG 040 Medium Rust

AMIG 035 Dark Tracks

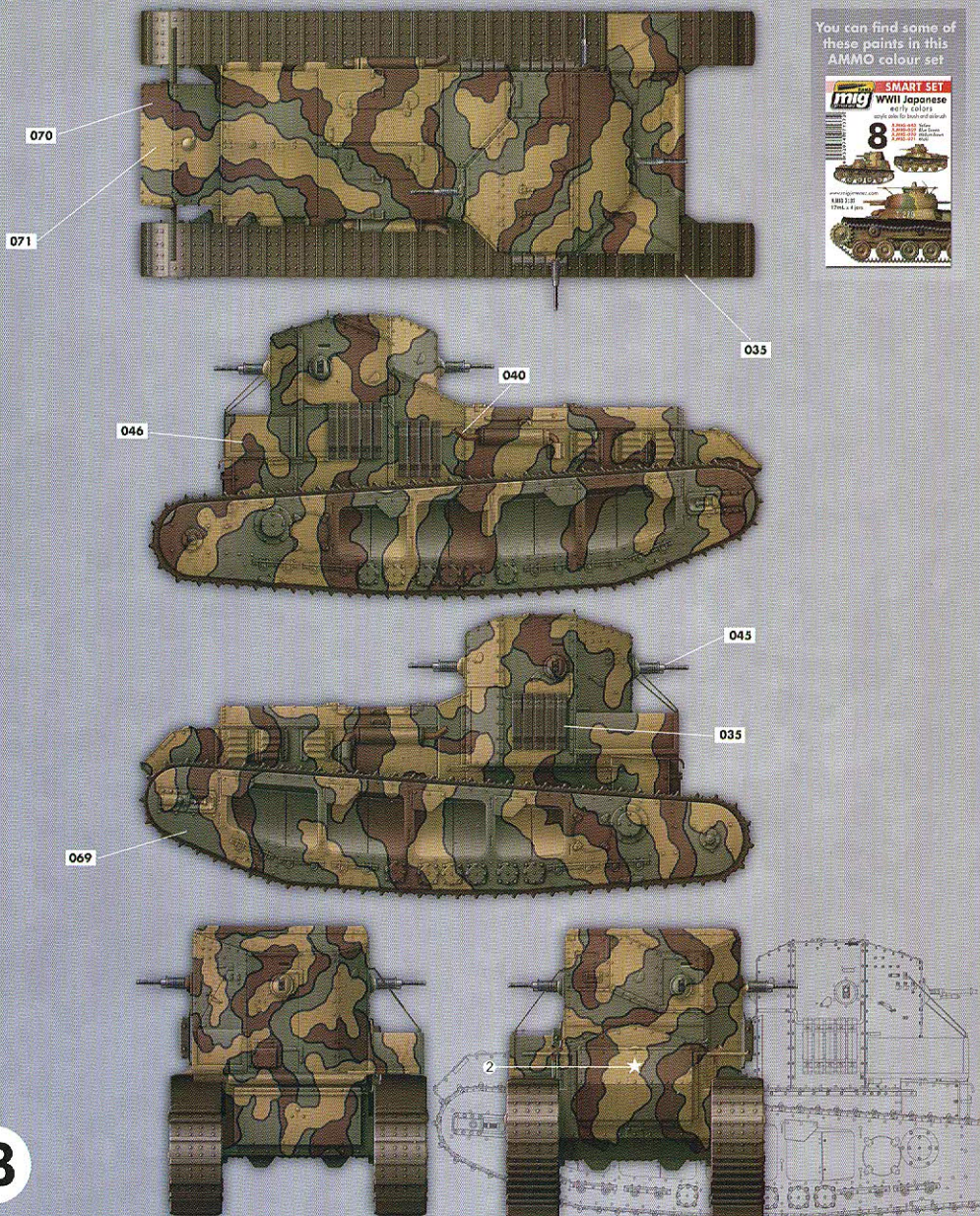
AMIG 071 Khaki

AMIG 070 Medium Brown

AMIG 069 Blue Green

1930, 2nd Tank Regiment,
Chiba Tank School

You can find some of
these paints in this
AMMO colour set


B

WWI WHIPPET TANK

Painting and Marking Guide

A.MIG 034 Rust Tracks

A.MIG 045 Gun Metal

A.MIG 040 Medium Rust

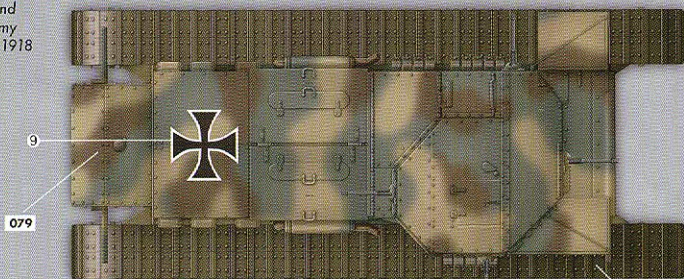
A.MIG 035 Dark Tracks

A.MIG 077 Dull Green

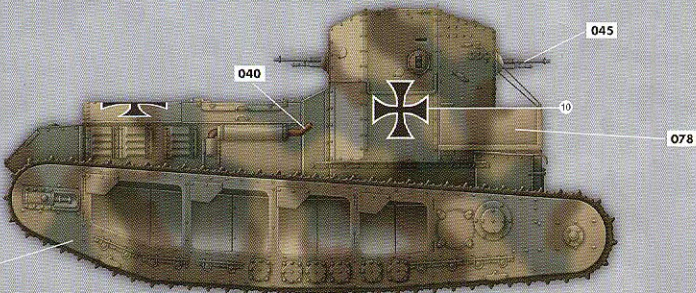
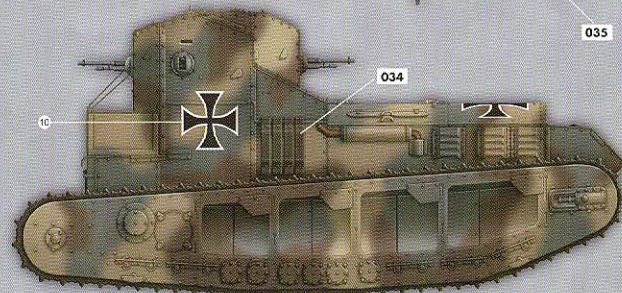
A.MIG 079 Clay Brown

A.MIG 078 Ochre Earth

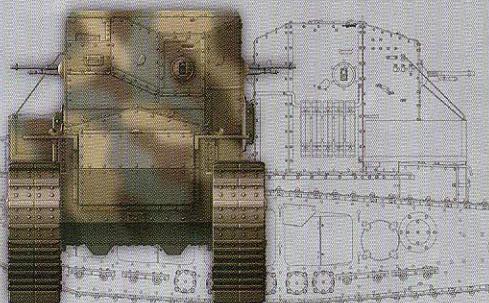
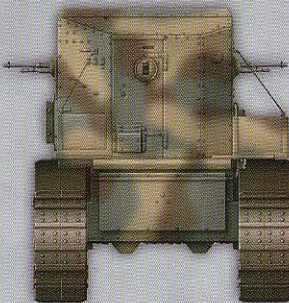
Repair number 111
at Lieu-Saint-Armand
Training Ground
of the 17th Army
in September 1918



You can find some of
these paints in this
AMMO colour set



077



WWI WHIPPET TANK

Painting and Marking Guide

A.MIG 034 Rust Tracks

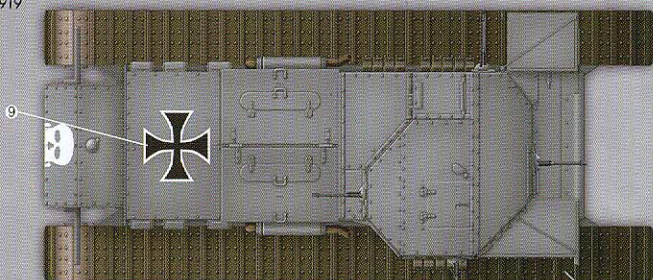
A.MIG 045 Gun/Metal

A.MIG 040 Medium Rust

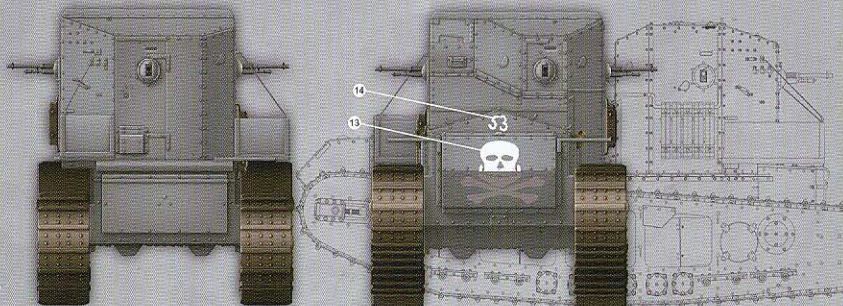
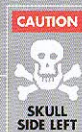
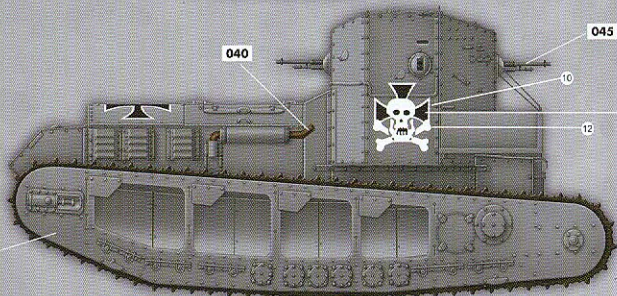
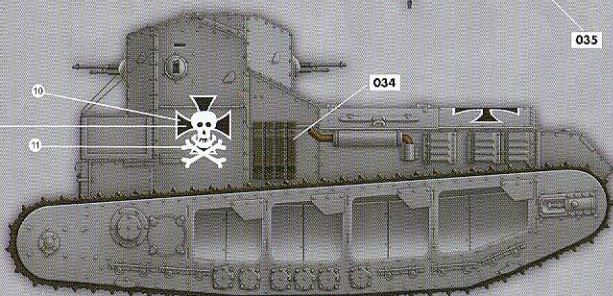
A.MIG 035 Dark Tracks

A.MIG 910 Grey High Light

German Whippet
in Freikorps Service,
Berlin, January 1919



You can find some of
these points in this
AMMO colour set



Painting and Marking Guide

A.MIG 045 Gun Metal

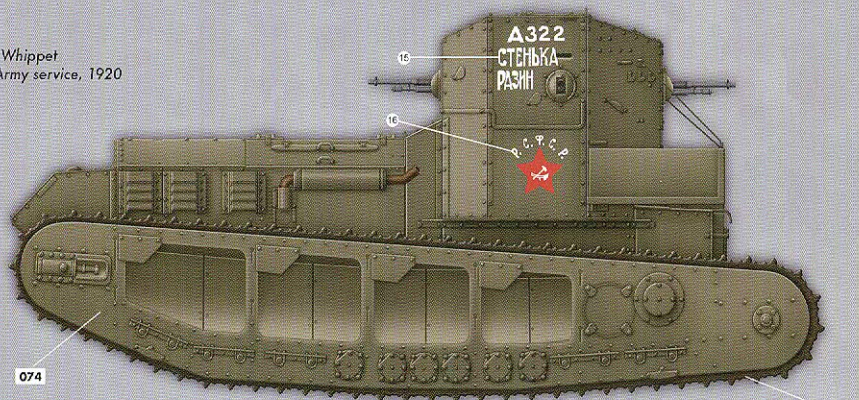
A.MIG 040 Medium-Rust

A.MIG 035 Dark Tracks

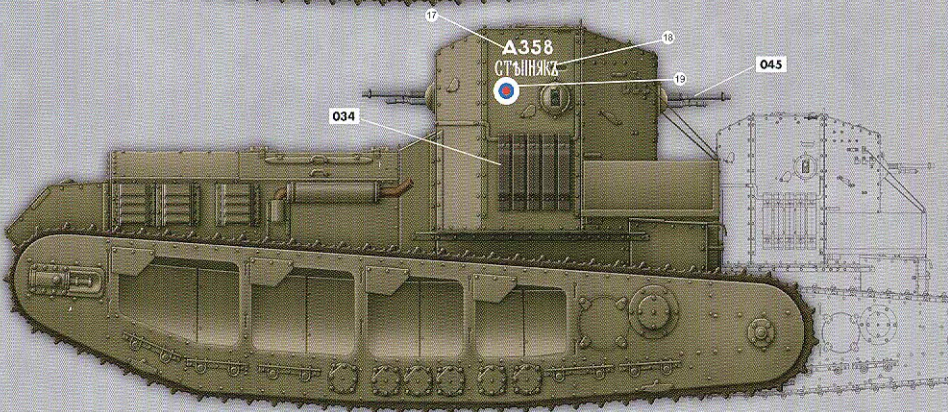
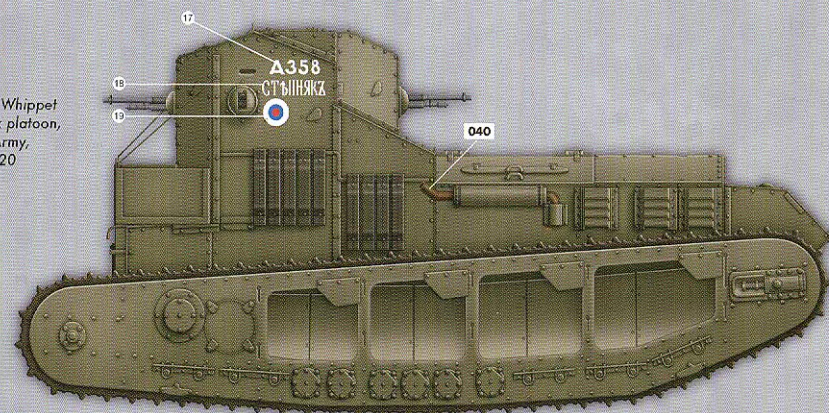
A.MIG 034 Rust Tracks

A.MIG 074 Green Moss

Russian Whippet
in Red Army service, 1920



Russian Whippet
2nd Tank platoon,
White Army,
Sept 1920



HOME OF MODELFAN

WWI HEAVY BATTLE TANK
MARK V

A DETAILED STAINLESS-STEEL DISPLAY PLATE & HOLES, A BRASS ASSEMBLY AND BRASS & STEEL TRACKS, AND A BRASS HOUSING FOR THE MAIN GUN. BRASS & STEEL TRACKS, AND A BRASS HOUSING FOR THE MAIN GUN. BRASS & STEEL TRACKS, AND A BRASS HOUSING FOR THE MAIN GUN.

Male

Hermaphrodite

Female

1/35
NO. 802

3 In 1

Informal-boxart

TAKOM

WWI/WWII GERMAN
Krupp 21 cm Mörser 10/16

A DETAILED STAINLESS-STEEL DISPLAY PLATE & HOLES, A BRASS ASSEMBLY AND BRASS & STEEL TRACKS, AND A BRASS HOUSING FOR THE MAIN GUN. BRASS & STEEL TRACKS, AND A BRASS HOUSING FOR THE MAIN GUN.

TAKOM

2 In 1

1/35
NO. 802

1/35
NO. 802

LATE TYPE

FRENCH HEAVY TANK

ST. CHAMOND

TAKOM



You can find TAKOM on Facebook.com

Painting and Marking Guide

A.MIG 034 Rust Tracks

A.MIG 045 Gun/Metal

A.MIG 040 Medium Rust

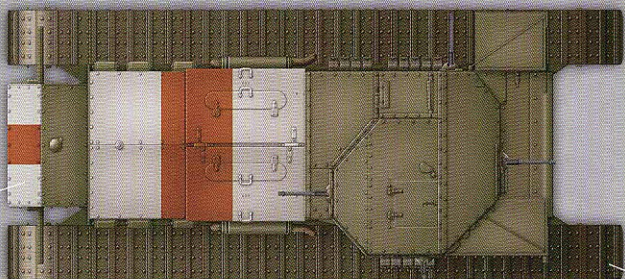
A.MIG 035 Dark Tracks

A.MIG 074 Green Moss

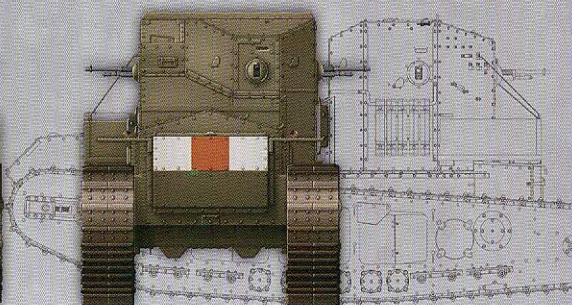
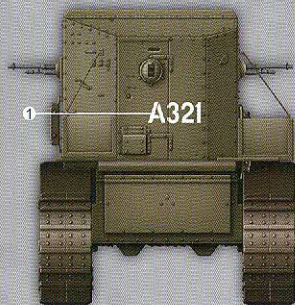
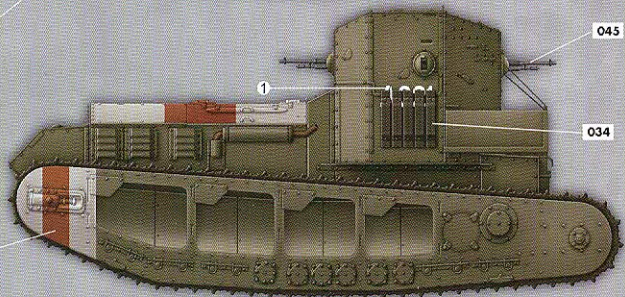
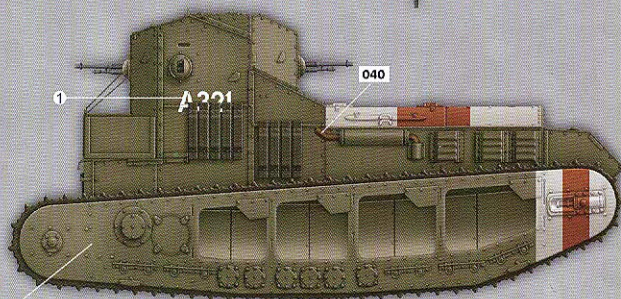
A.MIG 049 Red

A.MIG 047 White

British Mark A Whippet,
near Achiet-le-peuff,
France, August 1918



You can find some of
these paints in this
AMMO colour set



Painting and Marking Guide

A.MIG 034 Rust Tracks

A.MIG 045 Gun Metal

A.MIG 040 Medium Rust

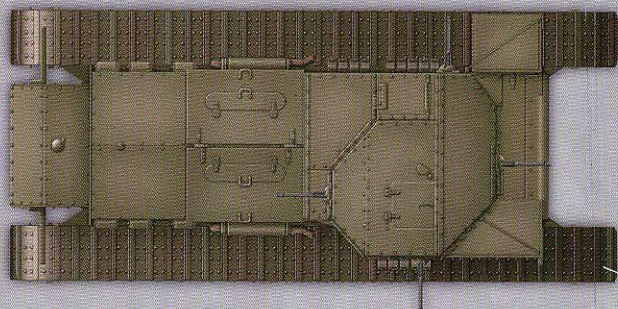
A.MIG 035 Dark Tracks

A.MIG 074 Green Moss

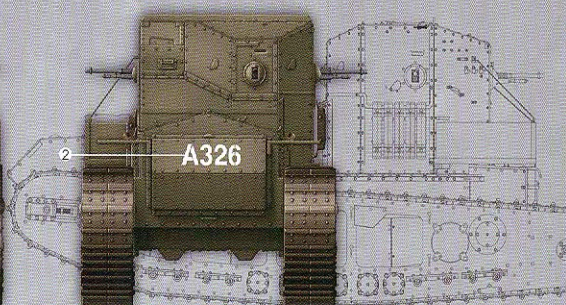
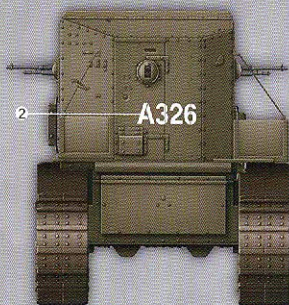
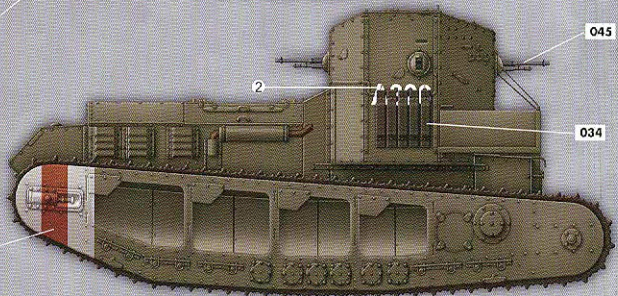
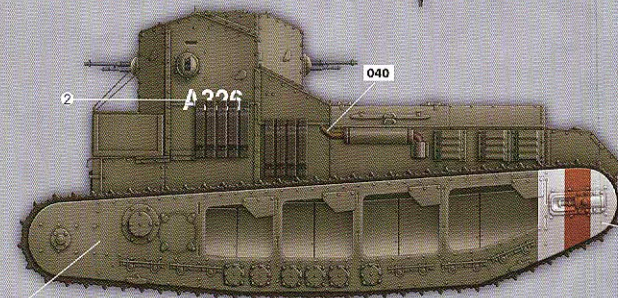
A.MIG 049 Red

A.MIG 047 White

British Mark A Whippet,
Biefvillers (France)
August 1918



You can find some of
these points in this
AMMO colour set



WWI WHIPPET TANK

Painting and Marking Guide

A.MIG 034 Rust Tracks

A.MIG 045 Gun Metal

A.MIG 040 Medium Rust

A.MIG 035 Dark Tracks

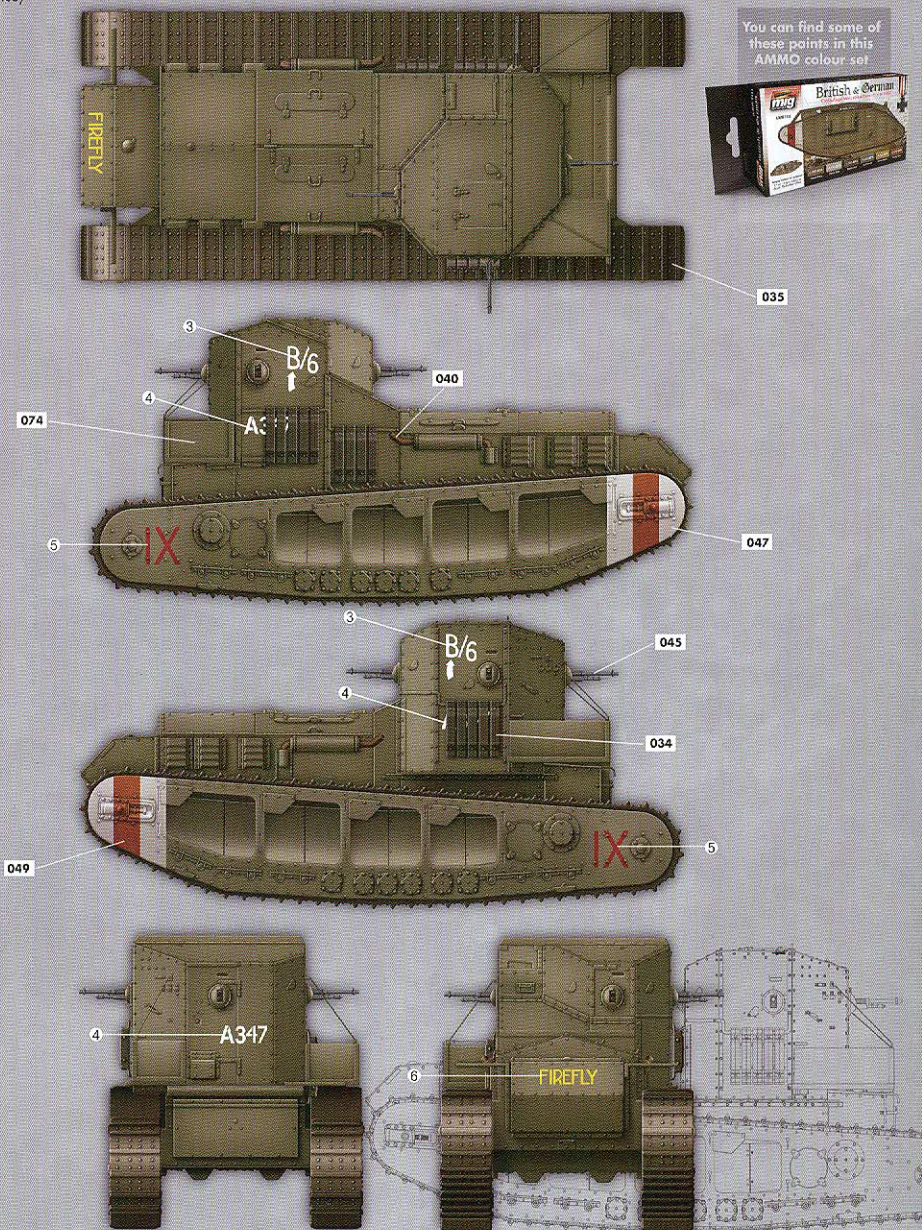
A.MIG 074 Green Moss

A.MIG 049 Red

A.MIG 047 White

British Mark A Tank 347,
of 6th Battalion Tank Corps. B Company,
Amiens (France)
August 1918

You can find some of
these points in this
AMMO colour set



WWI WHIPPET TANK

Painting and Marking Guide

A.MIG 034

Rust Tracks

A.MIG 045

Gun Metal

A.MIG 040

Medium Rust

A.MIG 035

Dark Tracks

A.MIG 074

Green Moss

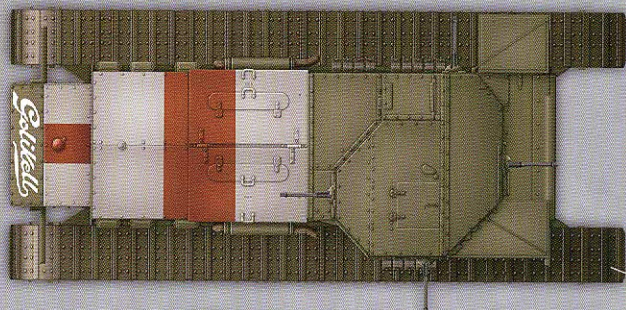
A.MIG 049

Red

A.MIG 047

White

British Mark A,
Irish Civil War,
Dublin, January 1919



You can find some of
these paints in this
AMMO colour set

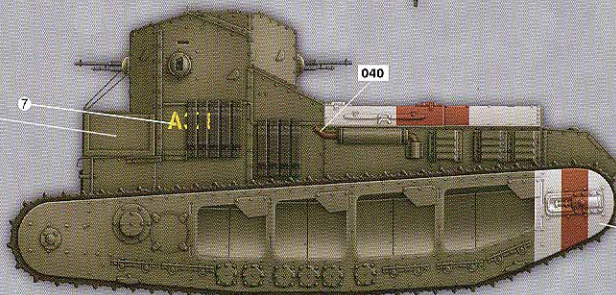


035

074

7

040

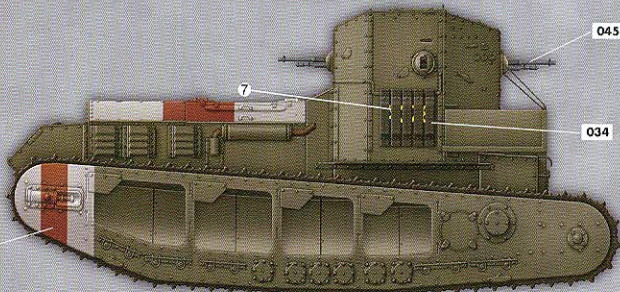


047

045

7

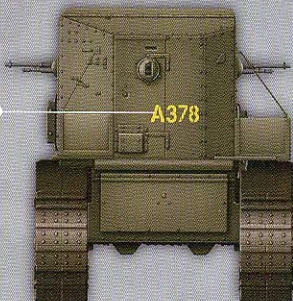
034



049

7

A378



8

Gottell

