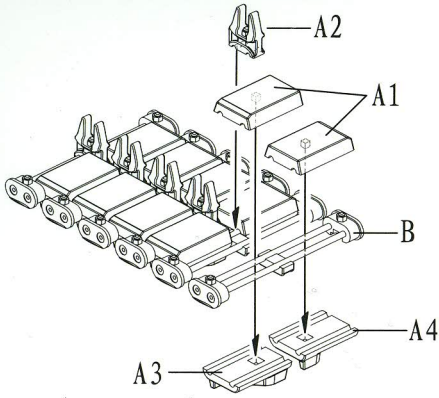


# ASSEMBLY GUIDE 组装说明:

Steel  
黑铁色

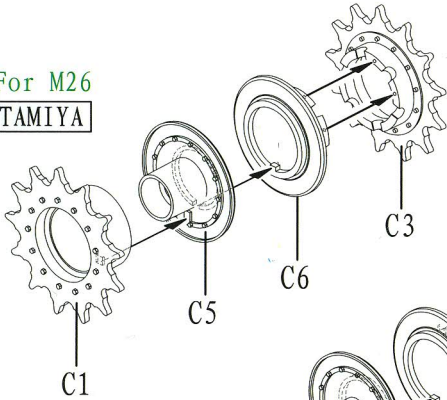


B and A1,A3 not cement  
B与A1,A3不粘合

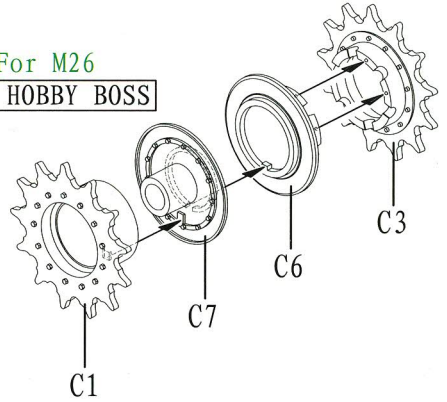
x2 2 sets needed  
同样的制作2组

Each set 85x2 pc  
每组需要85x2枚

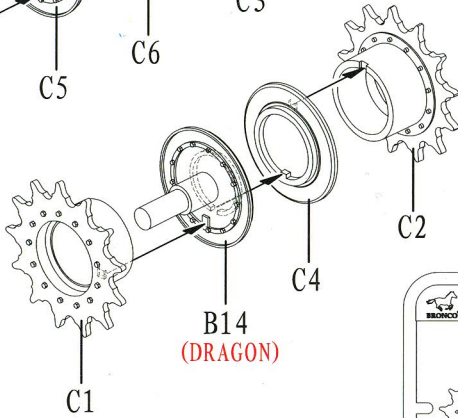
For M26  
TAMIYA



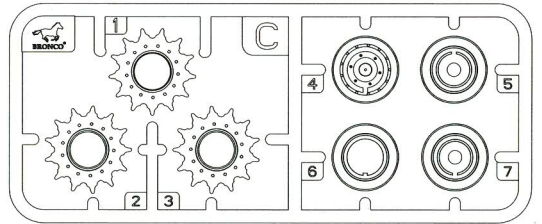
For M26  
HOBBY BOSS



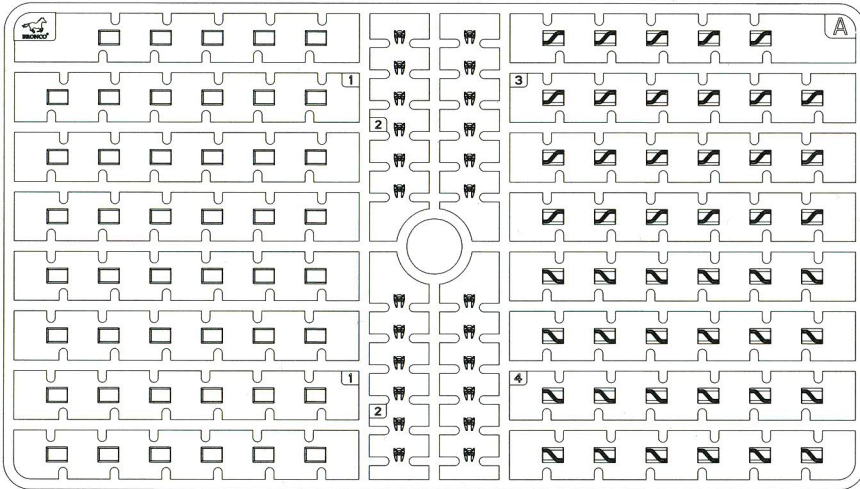
For M46  
DRAGON



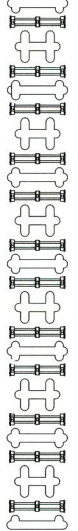
CX2



AX8



BX15



## COLOUR SUGGESTION 涂装指引:

Colour 涂料表			MR.Hobby	Hobby Color	Humbrol	Tamiya
Steel	Stahl	黑铁色	H-18	C-28	53	/

\*Please careful to glue the parts, too much glue will influence the movable action  
请小心使用胶水, 过多胶水会影响履带活动