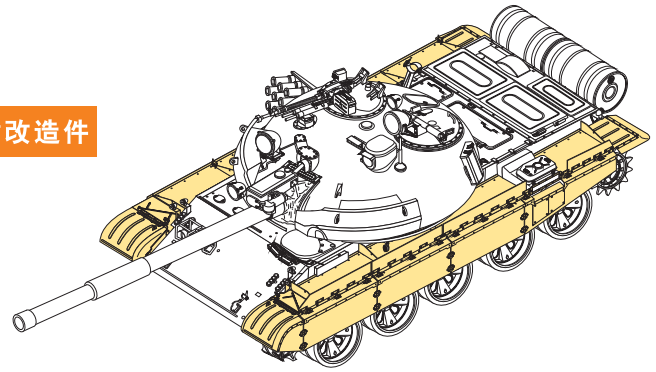


1/35 MILITARY MINIATURE VEHICLE UPGRADE SERIES PE35522

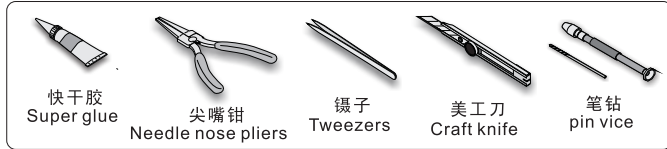
## Modern Russian T-62 Medium Tank Mod.1984 Fenders and Skirts

### 现代俄罗斯T-62 BDD 中型坦克1984型翼子板及侧裙改造件

[For TRUMPETER 01554]



#### 推荐使用工具 RECOMMENDED TOOLS



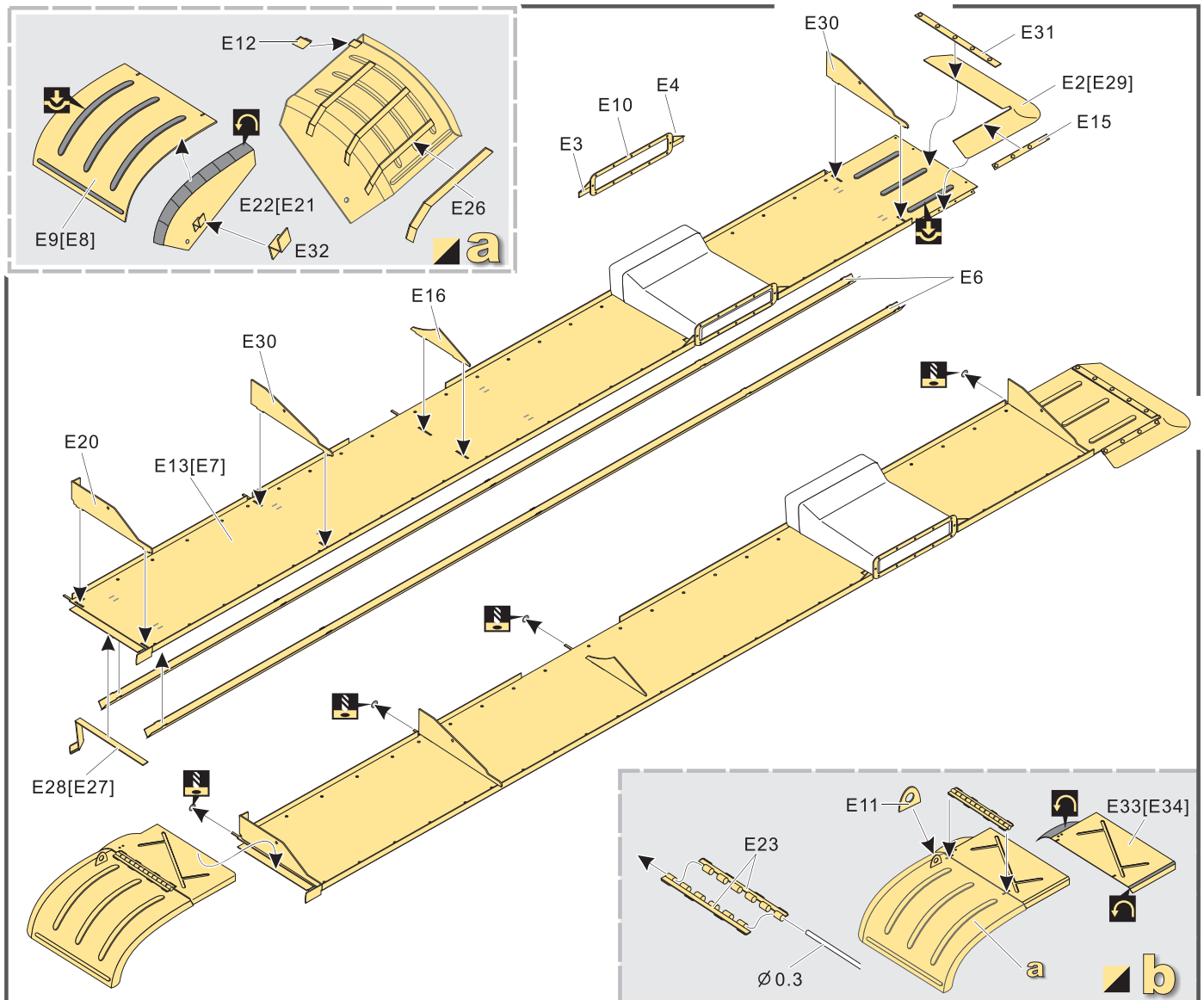
安装 install	折叠 bend	<b>A1</b> 改造件零件编号 PE/resin part number	<b>B12</b> 原零件编号 kit part number
<b>G22</b> 被替换的原零件编号 replaced kit part number	切除 remove	打磨 grind off	弧度卷曲 radial bending
注意 caution	扩孔 ream	<b>x2</b> 制作若干组 multiple assembly	填补 fill
选择安装 alternative	另一侧相同制作 repeat on opposite side	钻孔 drill	

用尖端在凹槽处冲压  
use penpoint to press on the dent

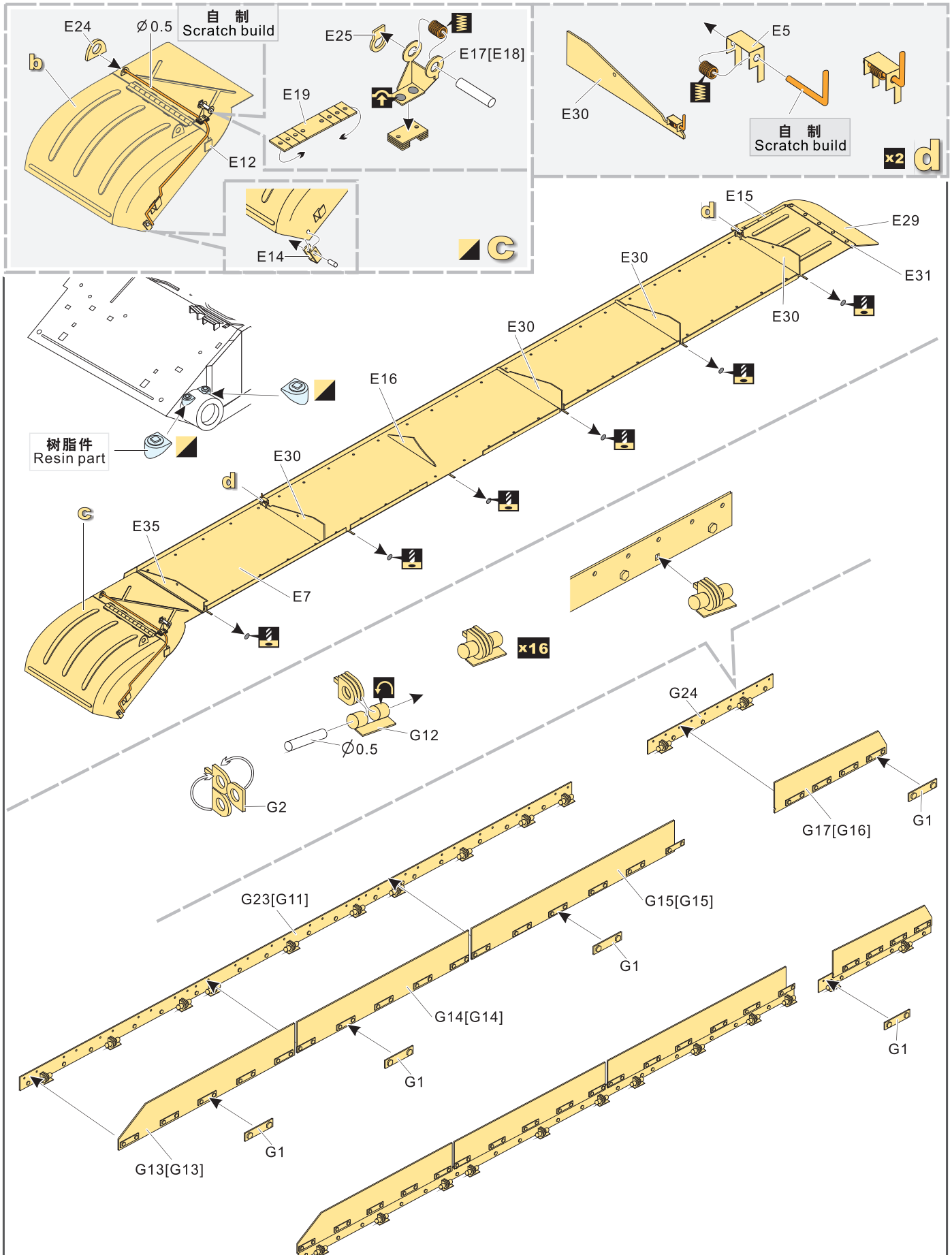
制作线圈  
make coil

蚀刻片零件内侧面向上  
Put the part upside down

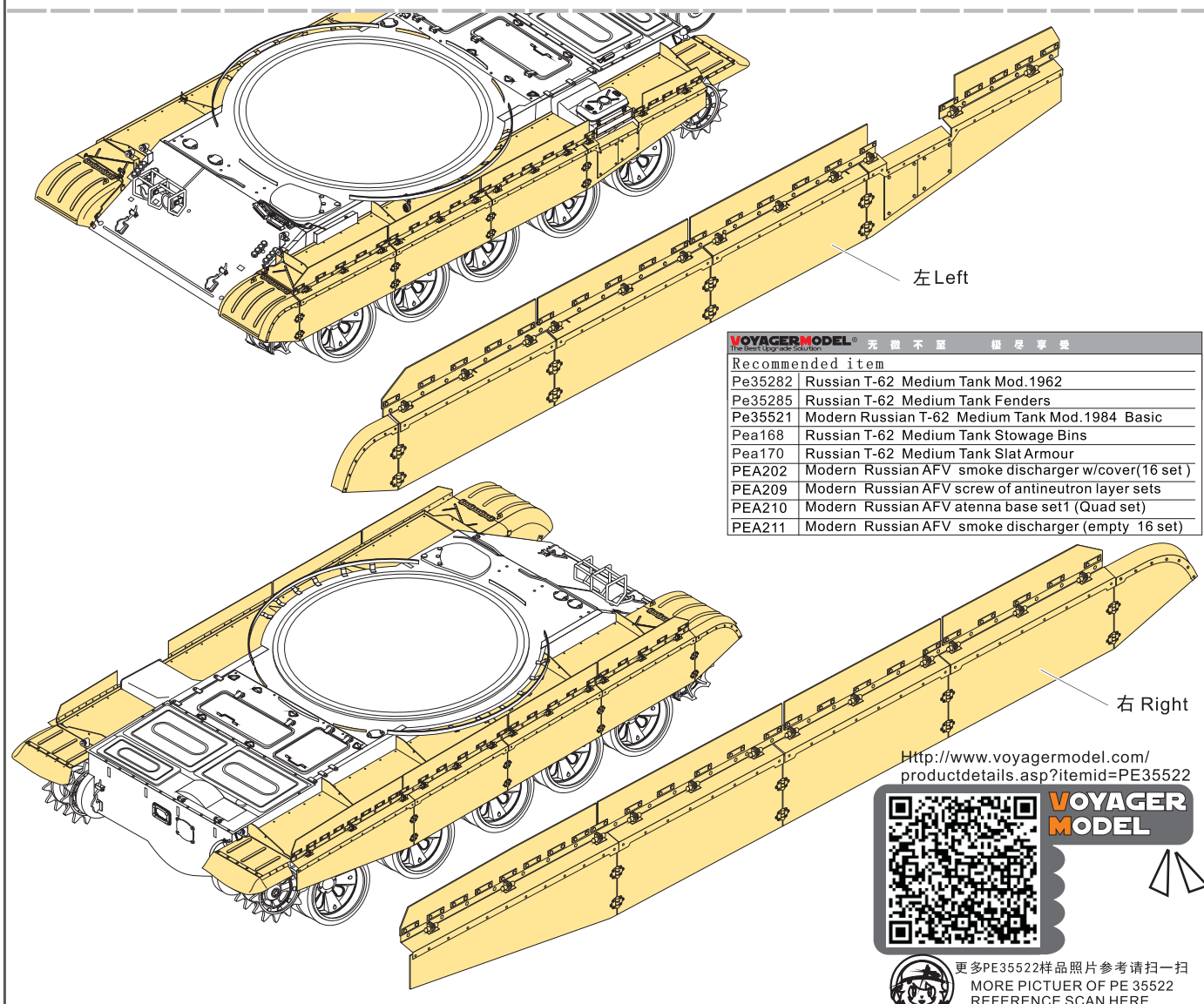
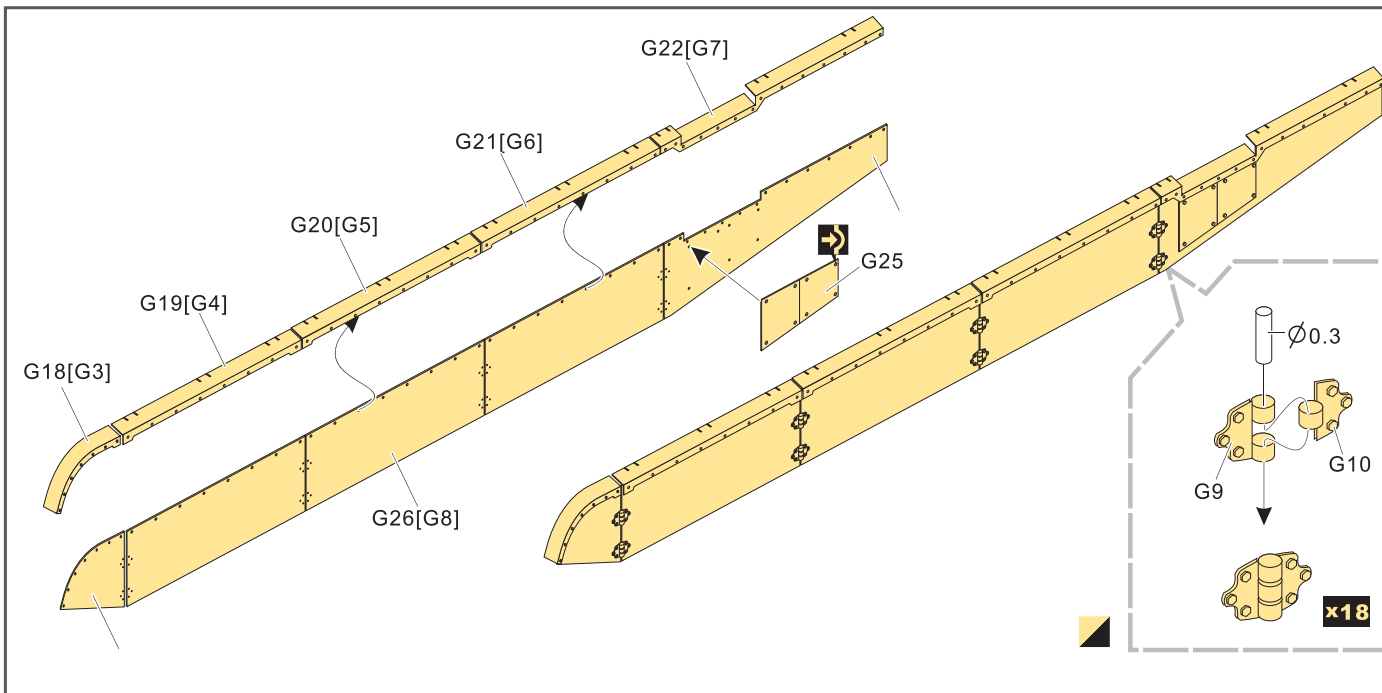
用笔尖在凹槽处刺  
Use penpoint to press on the dent



1/35 MILITARY MINIATURE VEHICLE UPGRADE SERIES PE35522



1/35 MILITARY MINIATURE VEHICLE UPGRADE SERIES PE35522



[Http://www.voyagermodel.com/productdetails.asp?itemid=PE35522](http://www.voyagermodel.com/productdetails.asp?itemid=PE35522)



**VOYAGERMODEL**



更多PE35522样品照片参考请扫一扫  
MORE PICTUER OF PE 35522  
REFERENCE SCAN HERE