

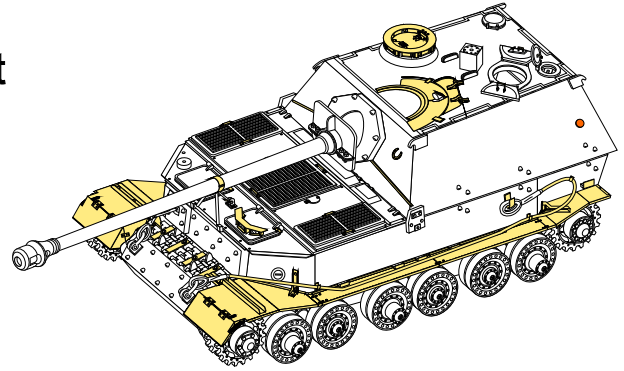
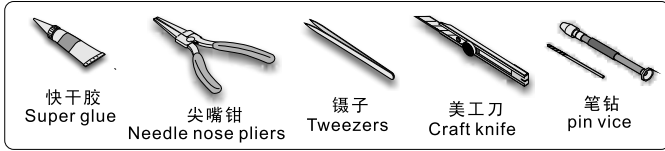
1/35 MILITARY MINIATURE VEHICLE UPGRADE SERIES PE 3520

# WWII German Sd.Kfz.184 Elefant

## 二战德军象式坦克歼击车改造件

[For TAMIYA 35325]

### 推荐使用工具 RECOMMENDED TOOLS

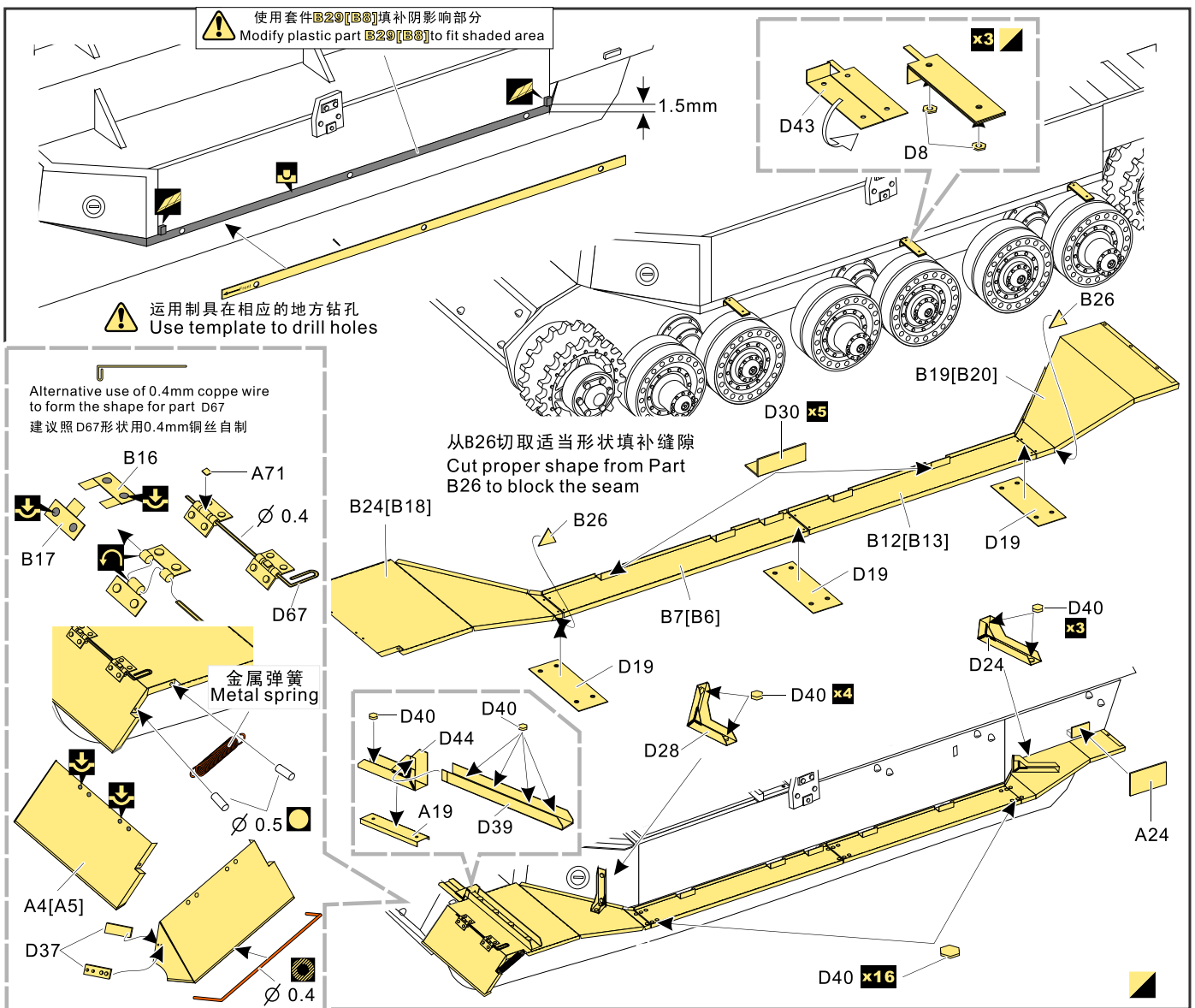


- 安装  
install
- 折叠  
bend
- A1**  
改造件零件编号  
PE/resin part number
- B12**  
原零件编号  
kit part number
- G22**  
被替换的原零件编号  
replaced kit part number
- 切除  
remove
- 弧度卷曲  
radial bending
- x2**  
制作若干组  
multiple assembly
- 另一侧相同制作  
repeat on opposite side
- 选择安装  
alternative
- 钻孔  
drill
- 填补  
fill

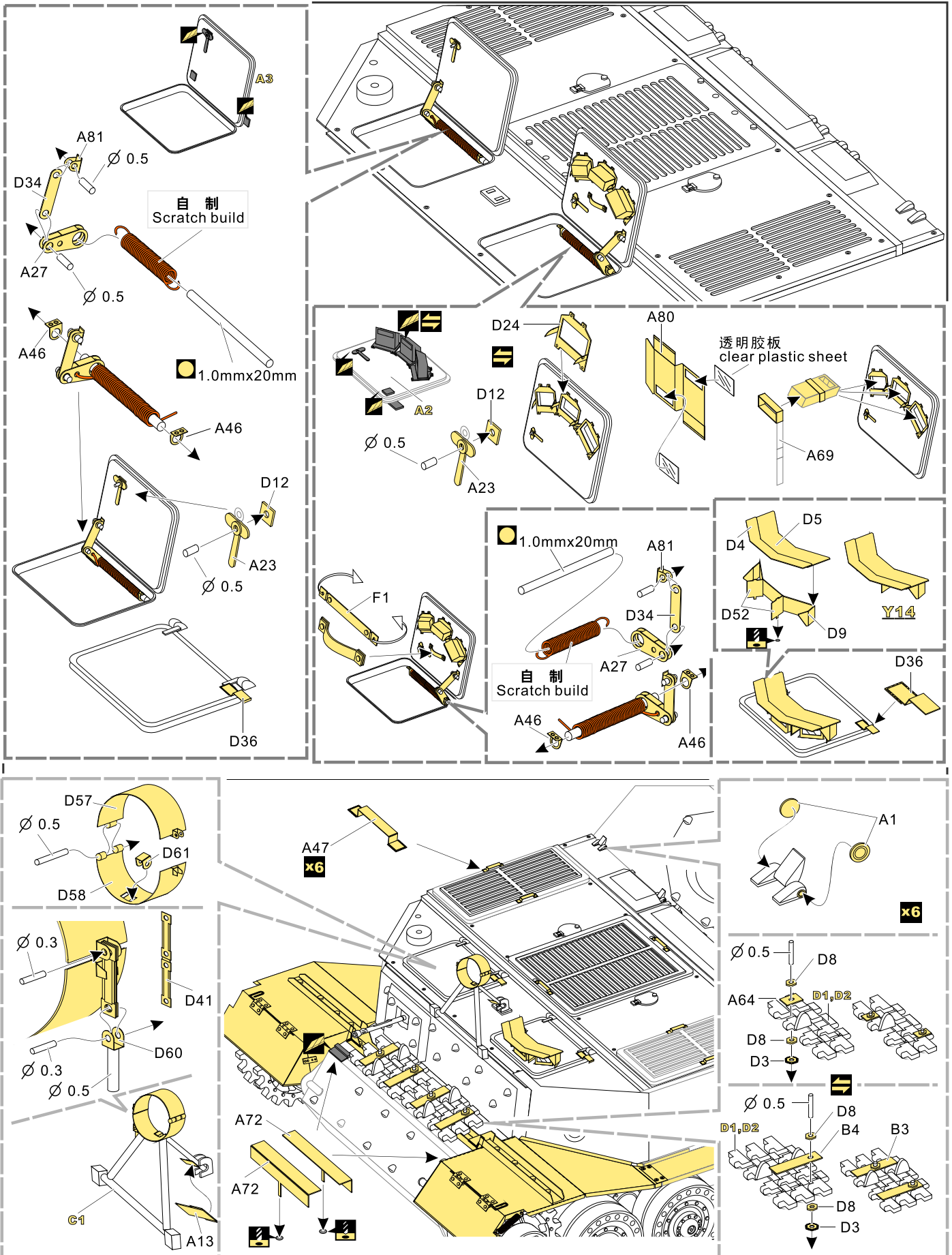
用尖端在凹槽处冲压  
use penpoint to press on the dent

圆珠笔  
Ballpen  
 蚀刻片零件内面向上  
PE part inboard side turn up  
 用笔尖在凹槽处刮  
Use penpoint scratch on the flute

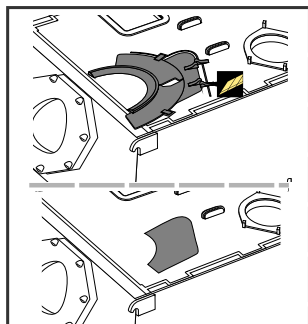
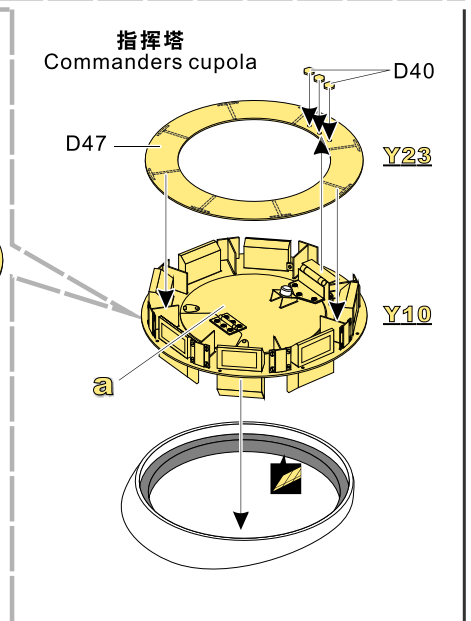
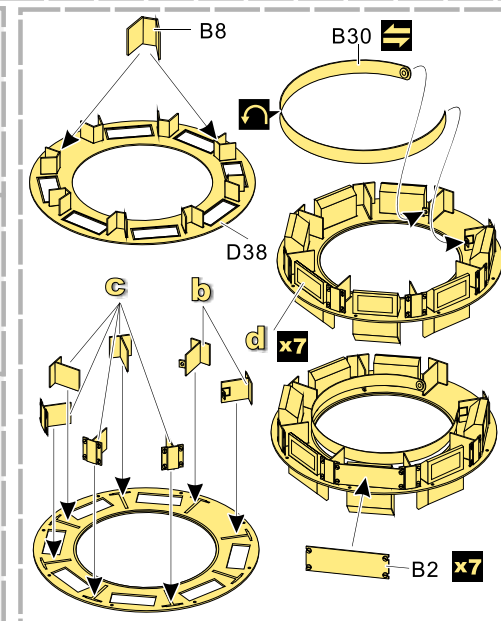
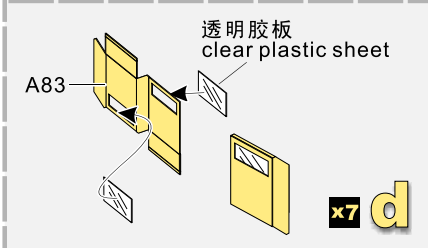
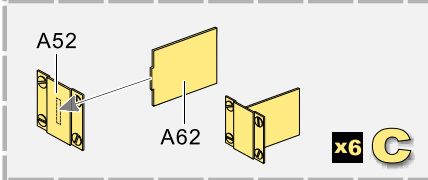
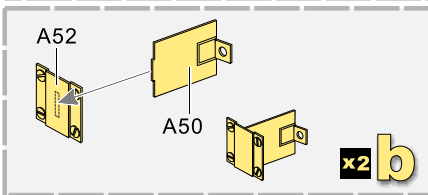
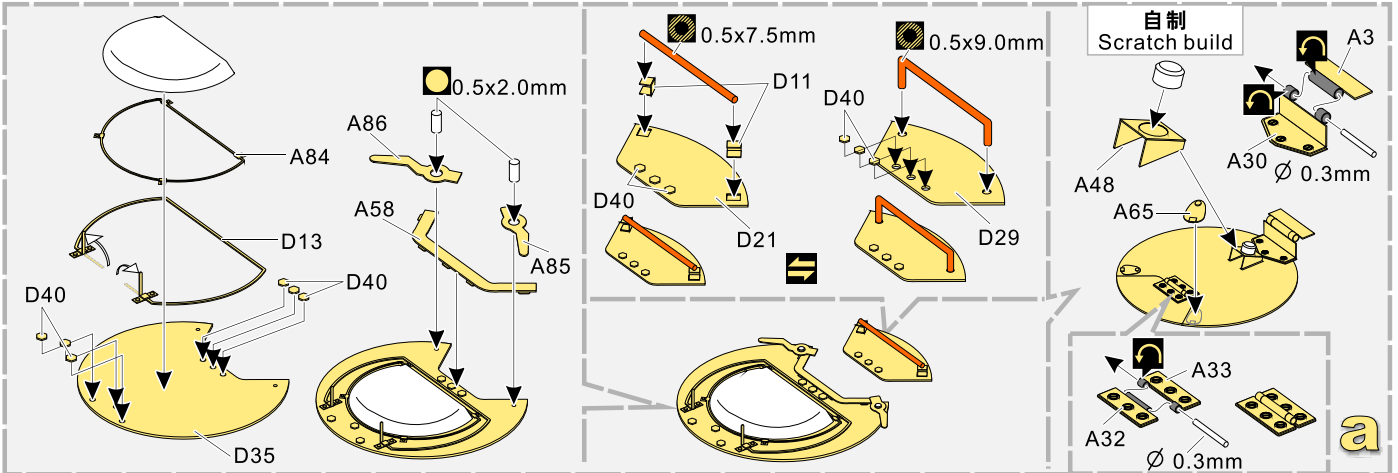
- 注意  
caution
- 用胶棒制作  
make from plastic rod
- 用铜管制作  
make from brass tube



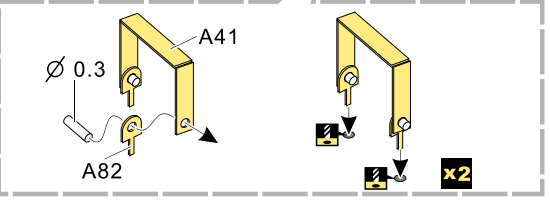
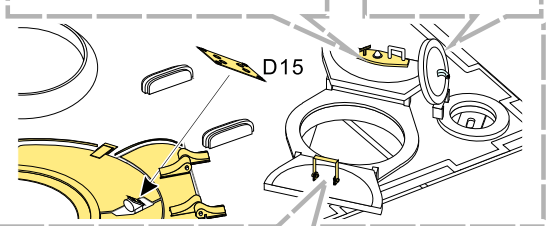
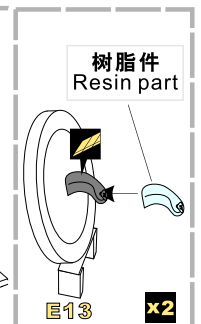
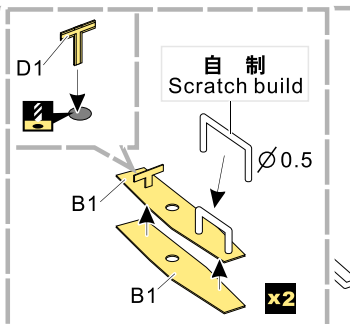
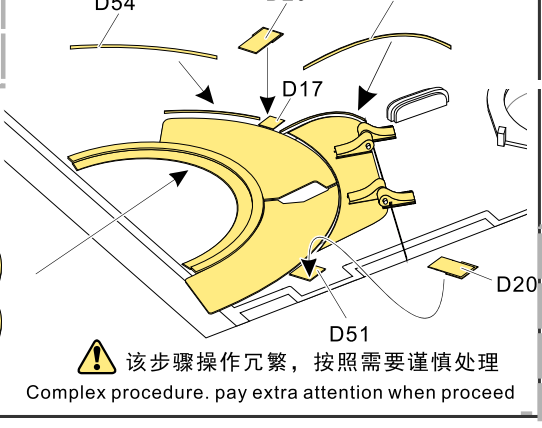
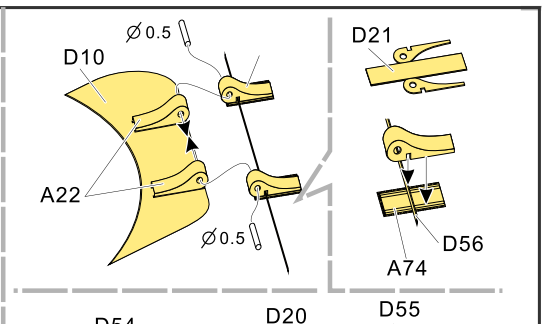
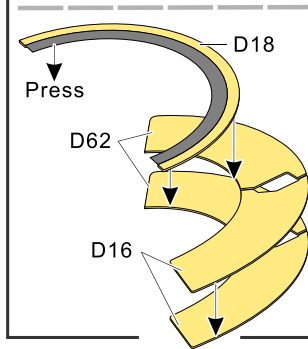
1/35 MILITARY MINIATURE VEHICLE UPGRADE SERIES PE 35520



1/35 MILITARY MINIATURE VEHICLE UPGRADE SERIES PE 35520



⚠ 切完后使用胶板修补  
Refill the hole with plastic card





1/35 MILITARY MINIATURE VEHICLE UPGRADE SERIES PE 35520

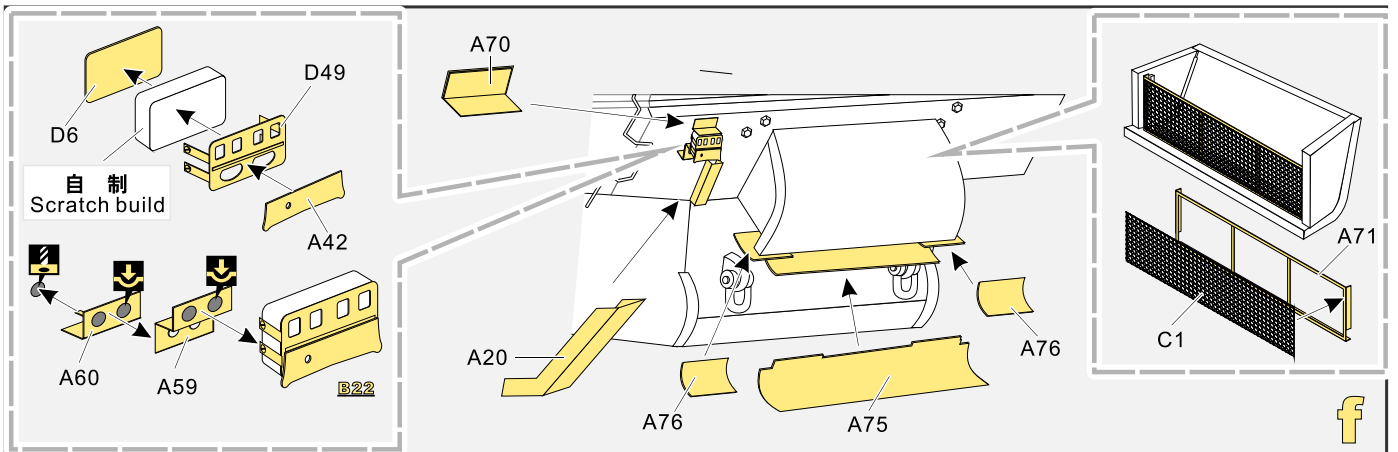
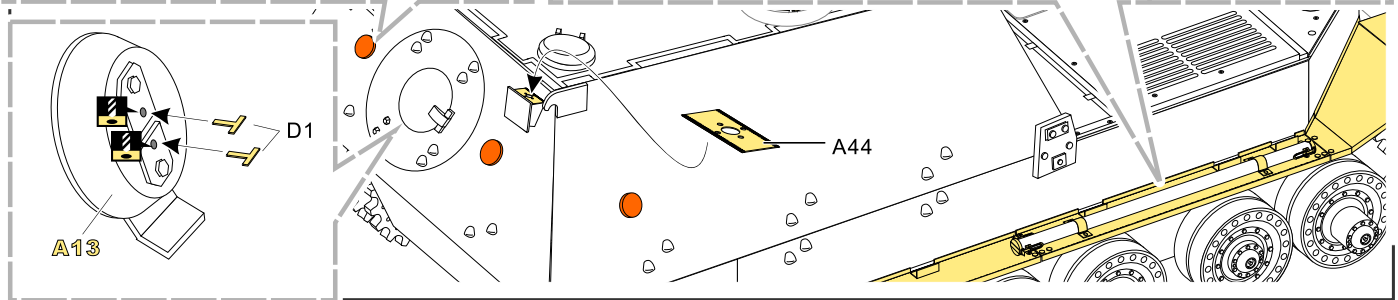
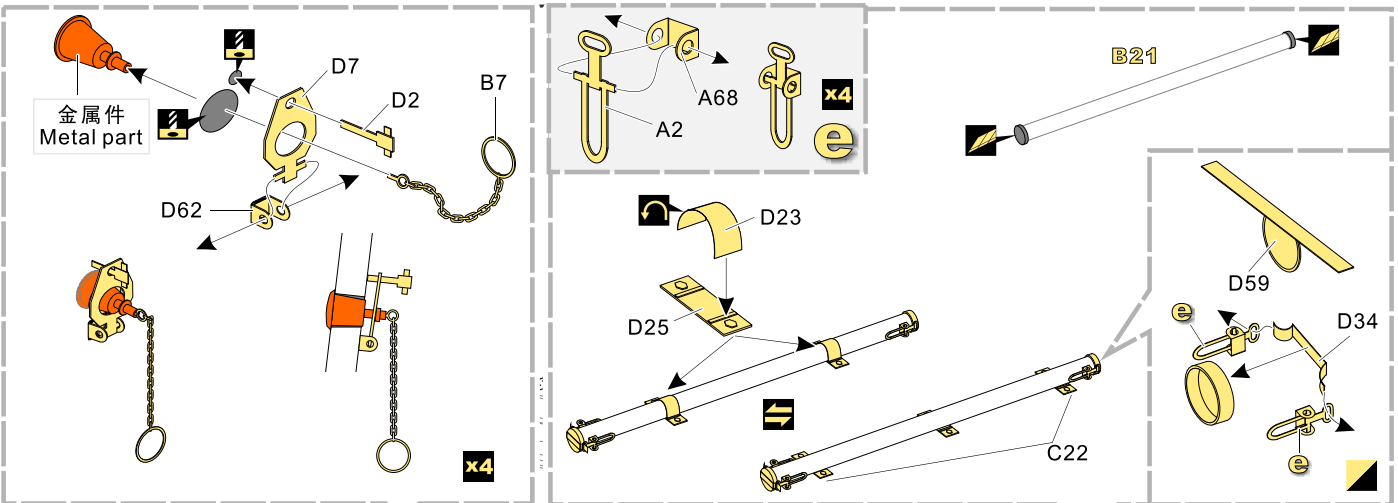
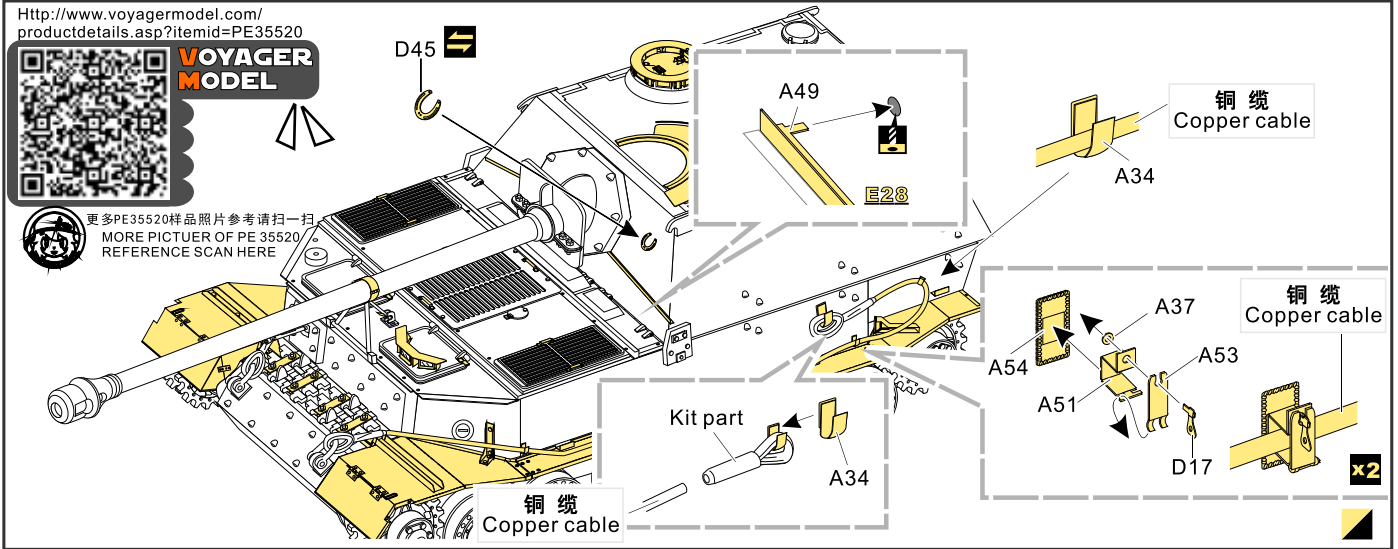
[Http://www.voyagermodel.com/productdetails.asp?itemid=PE35520](http://www.voyagermodel.com/productdetails.asp?itemid=PE35520)



**VOYAGER  
MODEL**



更多PE35520样品照片参考请扫一扫  
MORE PICTUER OF PE 35520  
REFERENCE SCAN HERE



1/35 MILITARY MINIATURE VEHICLE UPGRADE SERIES PE 35520

VOYAGERMODEL® 无微不至 极致享受	
Recommended item	
PE35291	WWII German Sd.Kfz. 184 Ferdinand
PEA 156	WWII German Elefant/Ferdinant/ Sturmiger/Tiger (P) Large Conical Bolts
VBS 0128	WWII German Elefant/Ferdinant Barrel w/Mantlet

