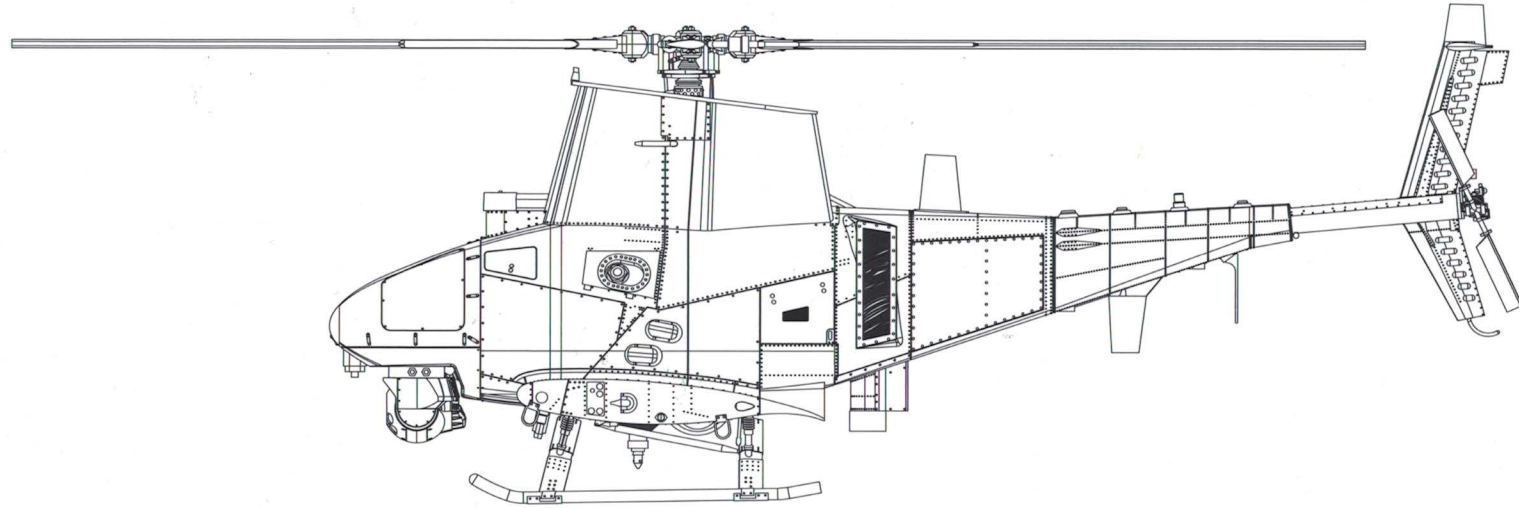


MQ-8B FIRE SCOUT 1+1



The MQ-8 Fire Scout is an unmanned autonomous helicopter developed by Northrop Grumman for use by the United States Armed Forces. This UAV was designed to provide reconnaissance, situational awareness, aerial fire support and precision targeting support for ground, air and sea forces. The initial RQ-8A version was based on the Schweizer 330, while the enhanced MQ-8B was derived from the Schweizer 333. As of February 2018, 23 MQ-8B variants were in service with the U.S. Navy.

03.02.2165

READ BEFORE ASSEMBLY

CAUTION

- Read carefully and fully understand the instructions before commencing assembly. A supervising adult should also read the instructions if a child assembles the model.
- When assembling this kit, tools including knives used. Extra care should be taken to avoid personal injury.
- Keep out of reach of small children. Children must not be allowed to suck any part, or pull vinyl bag over their heads.



Be Careful



Optional



Drill



Instant Glue for Metal

PAINTS REQUIRED

Color info and profiles by Mig Jimenez

A.MIG-0032 Satin Black

A.MIG-0042 Old Rust

A.MIG-0049 Red

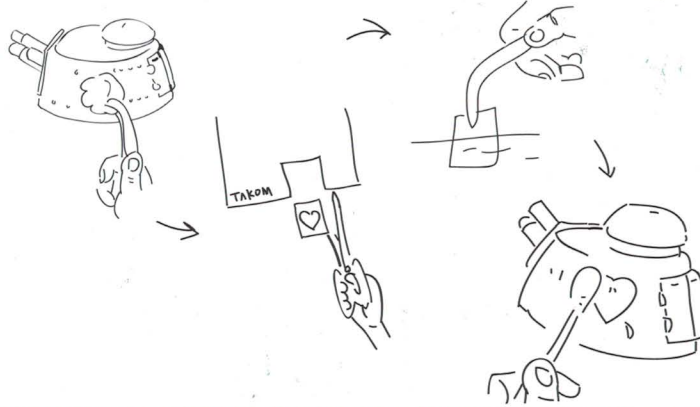
A.MIG-0092 Crystal Green

A.MIG-0093 Crystal Red

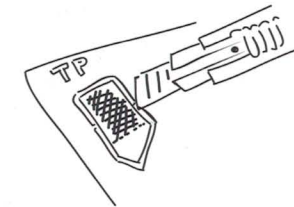
FS 36375
Light Compass
Ghost

APPLYING DECALS

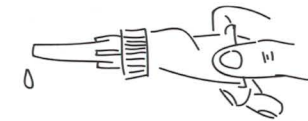
1. Clean the model surface with a wet cloth.
2. Cut out each decal design from sheet, and dip it in tepid water for 15~20 sec.
3. Hold the backing sheet edge and slide decal onto the model.
4. Move decal into position by wetting decal with finger.
5. Press decal gently down with a soft cloth until excess water and air bubbles are gone.



REMOVING PE



Be careful not to hurt when removing PE parts.

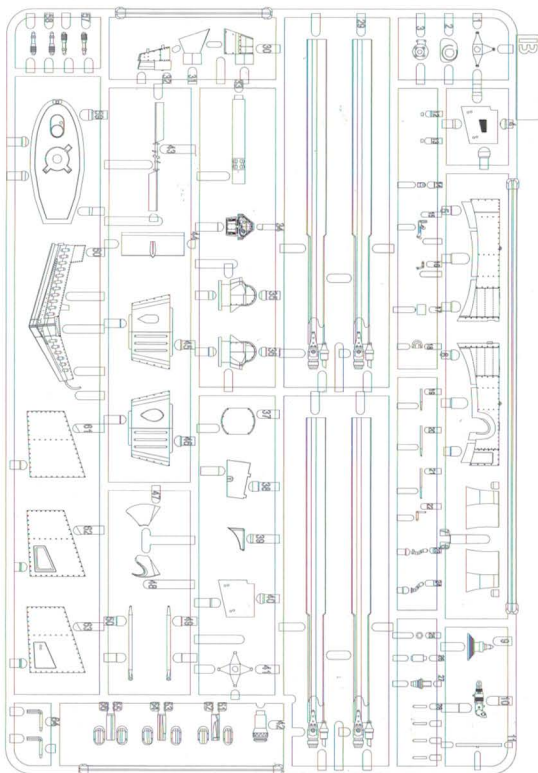


Secure using instant glue (not included).

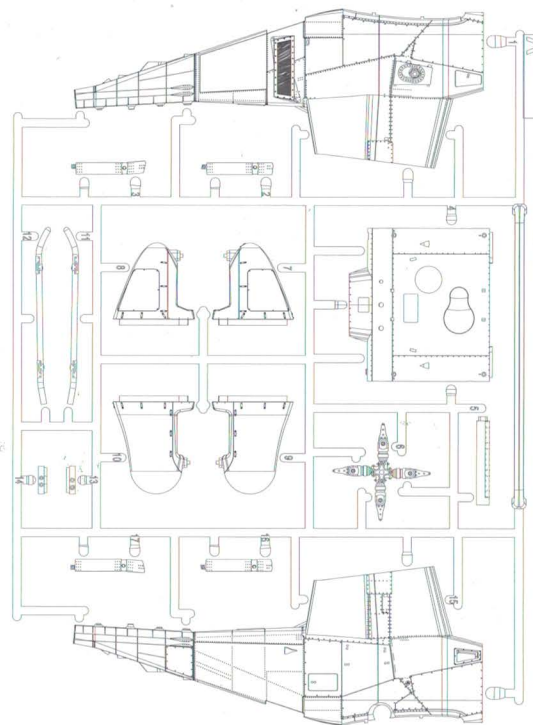


Finish using file.

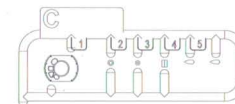
PARTS



X2



X2



X2

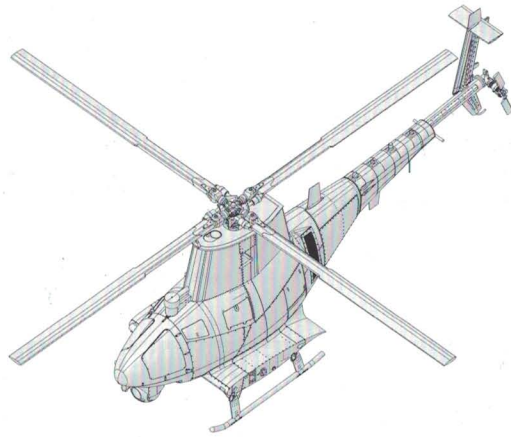


Decal X2

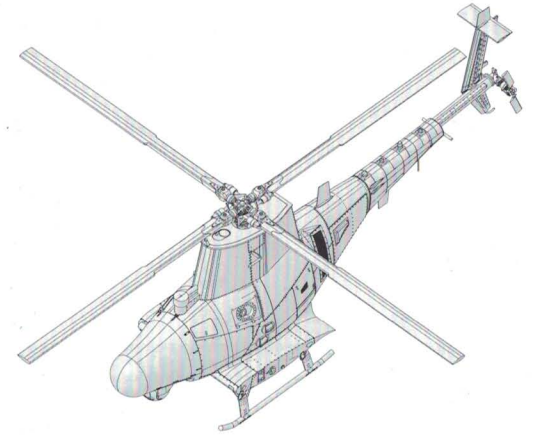


TP

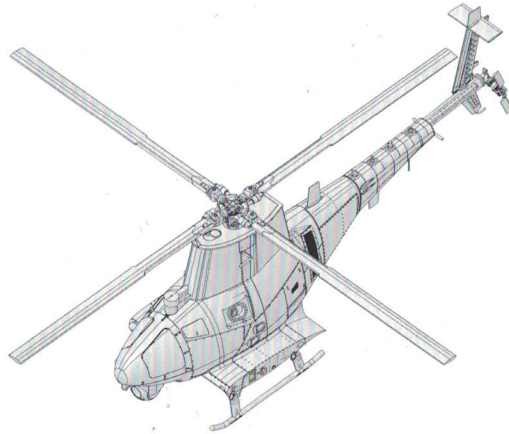
1



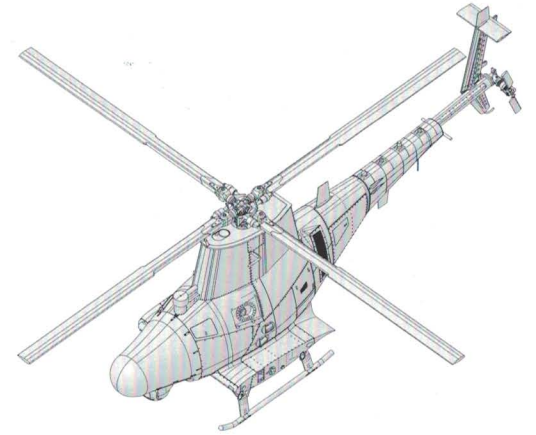
A



C

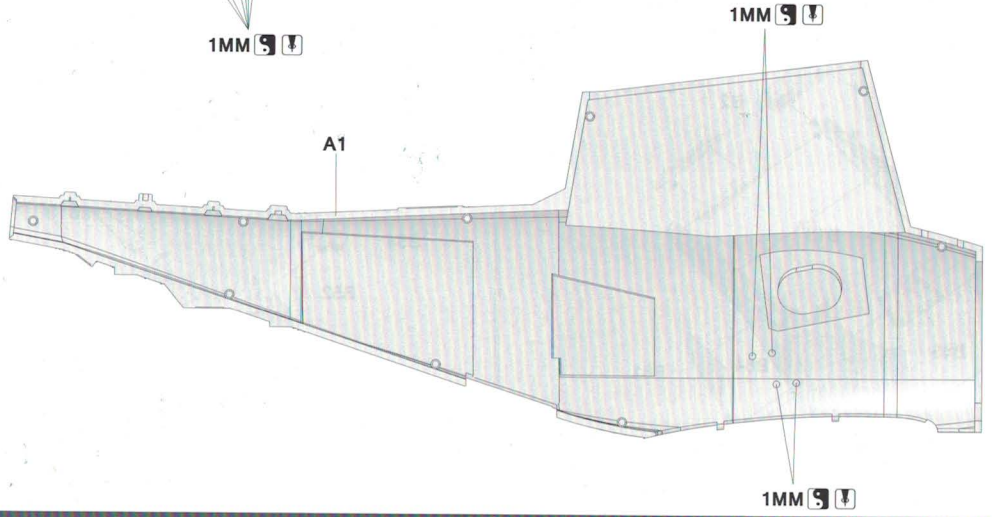
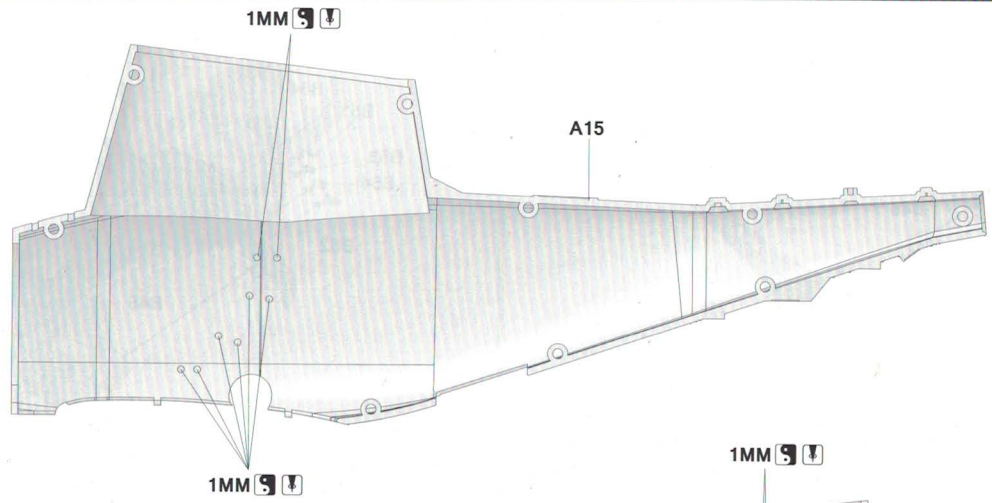


B

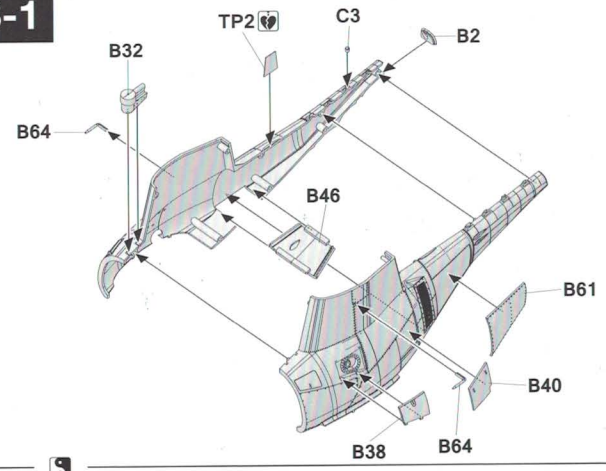


D

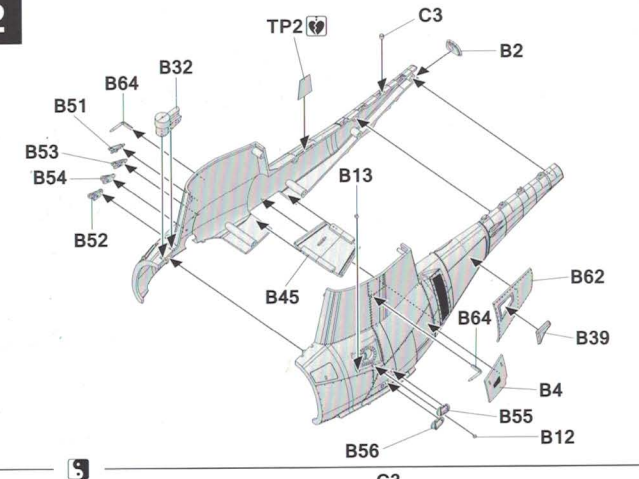
3



3-1



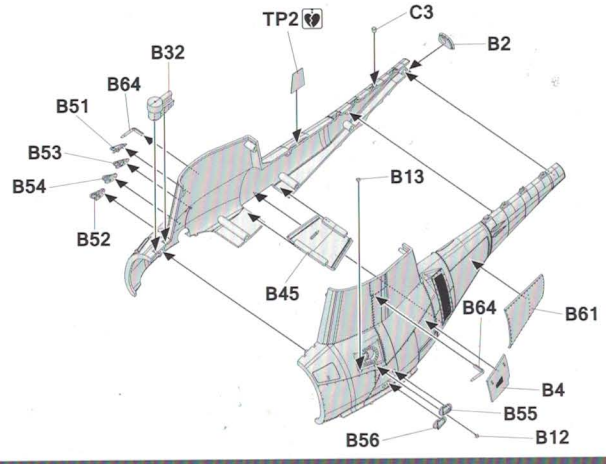
A 3-2



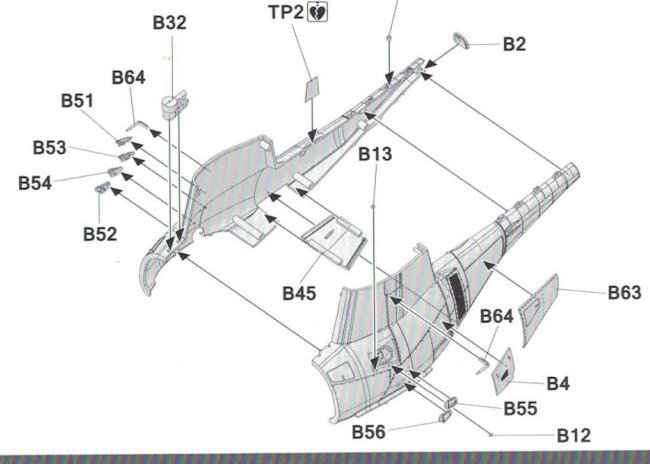
C

5

5

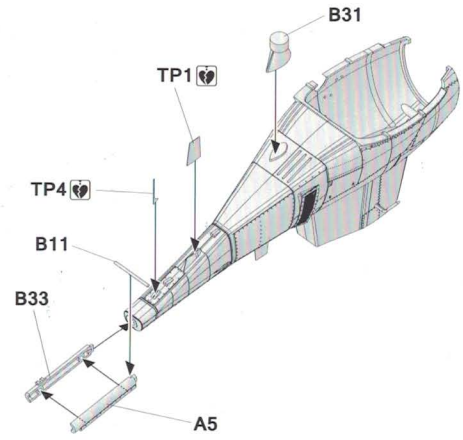


B



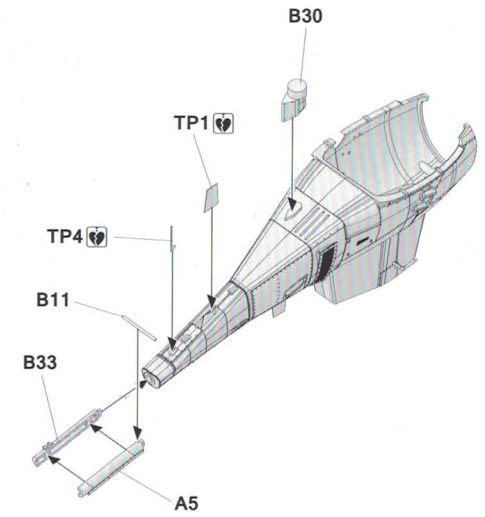
D

4-1



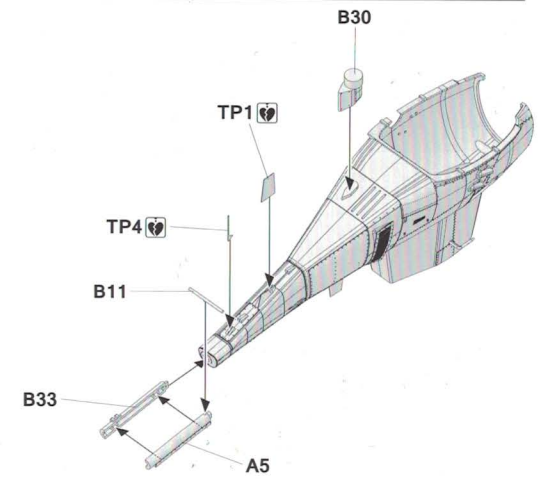
A 4-2

C D

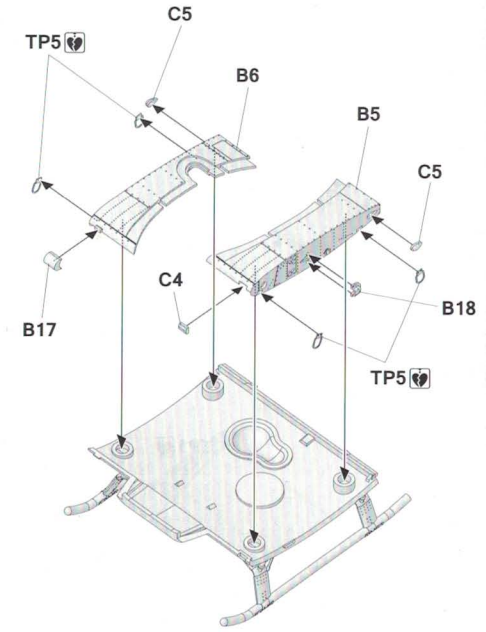
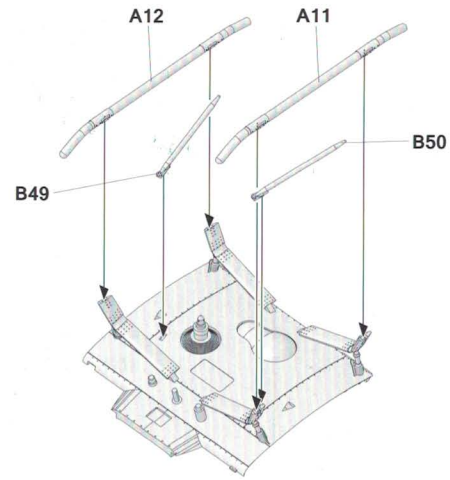
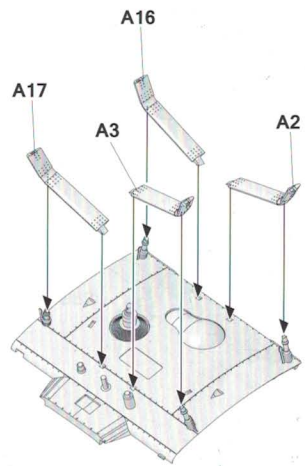
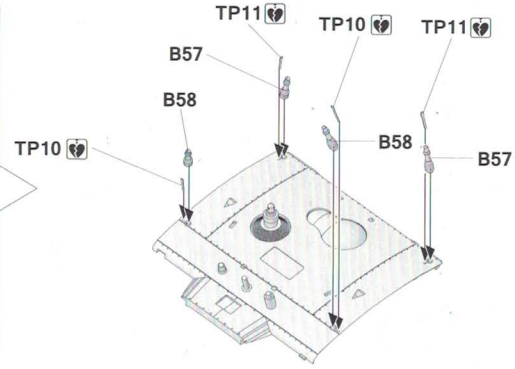
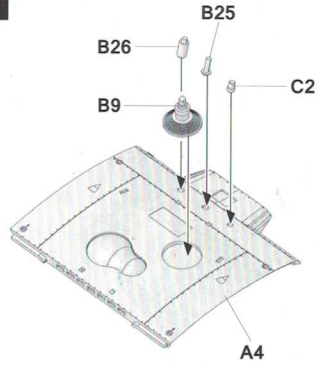


S

B

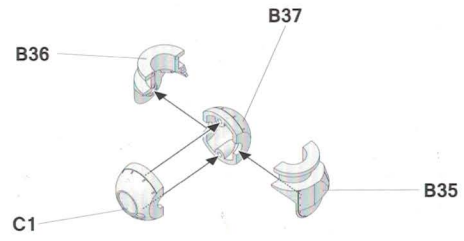


5

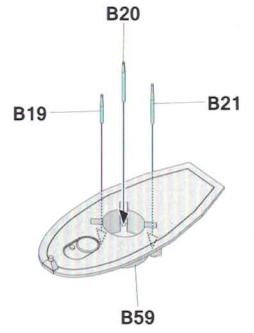
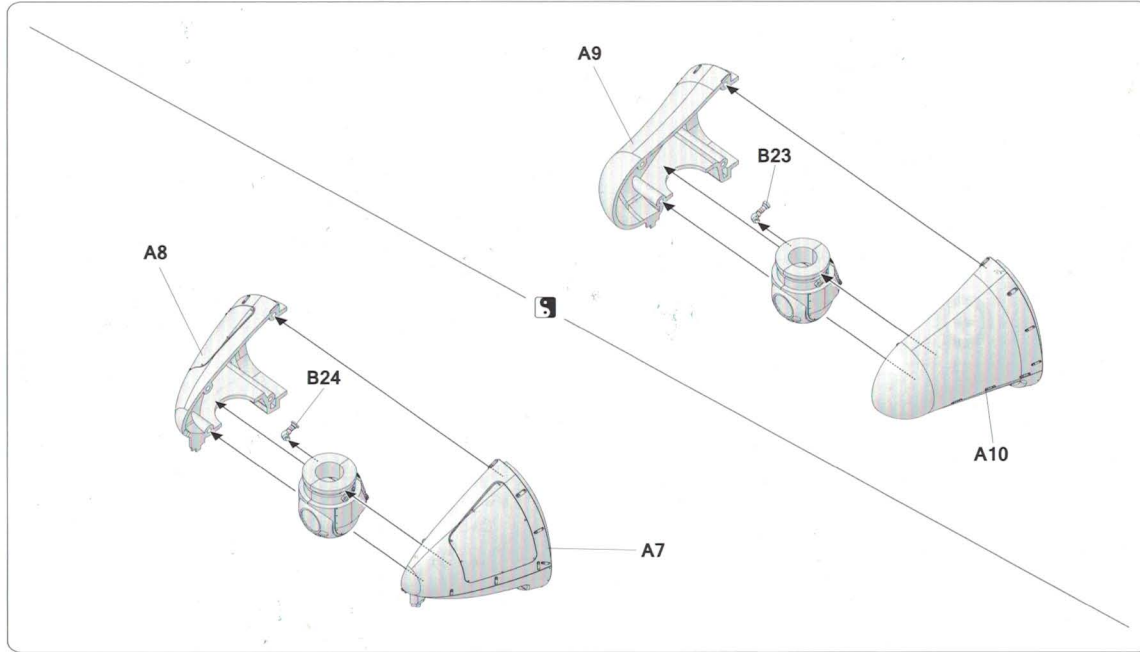
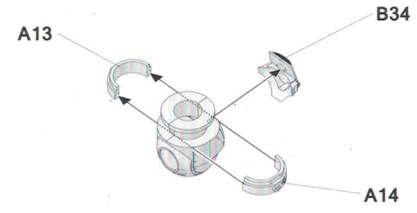


7

6



7



8

8-1

A B

8-2

C

