

TA-7C CORSAIR II

TA-7C コルセアII

TA-7C “海盜”II

PLEASE READ BEFORE OPERATION!

- * Tools recommended as below: (Not included)
Adhesives; Paints; Side Cutters; Sharp Edged Pliers; Modeling Knife; Modeling File; Nippers; Drill; Scissors; Sand Paper; Soft Cloth; Cyanoacrylate Glue.
- * Make sure to read this instruction listed below before assembling.
- * The kit contains the small parts, they can be dangerous if swallowed by mistake, so keep them away from reach of children.
- * Cut the all parts off carefully and remove the waste parts into the garbage can.
- * More caution and care should be needed for cutting and handling the photo etched parts.
- * Make attention that some parts should be attached the decal when assembled.
- * During assembling, please tear up and throw away the plastic bags, or may cause the dangerous if wearing over head by children's mistake.
- * When using the adhesives and paints, please do not use them in the closed room or near the fire, also must be very careful to protect your eyes, face and clothes.
- * Adult supervised when assembled by children under 14 years old.

装配前请仔细阅读:

- * 推荐使用的模型工具(请自备):
专用模型胶水, 专用模型油漆, 水口剪刀, 长咀钳, 刀片, 锉刀, 镊子钳, 钻, 剪刀, 软布, 砂纸, 瞬间快干胶等。
- * 用水口剪刀或刀片小心切下所有塑胶零件和蚀刻片零件, 不要遗失小零件。
- * 切取蚀刻片时应特别注意防止利边划伤手指。
- * 用模型锉刀小心锉平所有零件表面的注射浇口。
- * 用适量的强力快干胶水粘合蚀刻片零件和金属轴, 切忌过量, 否则可能导致可动零件被粘住。
- * 注意某些零件表面需在装配时同步贴水上水贴纸。
- * 制作时应远离幼儿并将包装袋及时收妥, 谨防小孩玩耍而引起意外。



cyanoacrylate glue
强力胶



weight
配重



make hole
钻孔



cut / remove
切除



option
选择



no cement
不涂胶水



decal
贴纸



bend
弯曲

The method to apply the decals

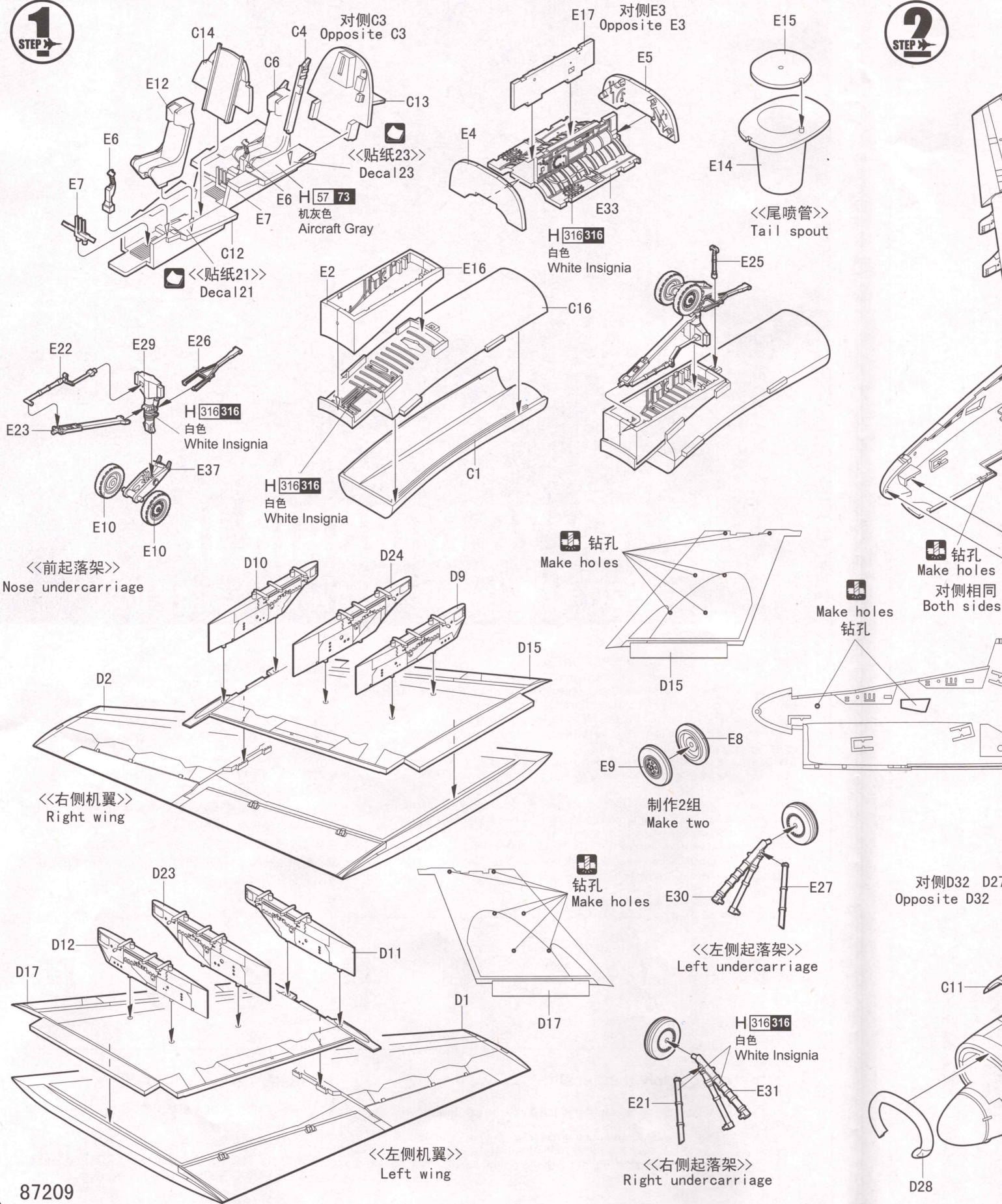
1. Cut off the decal from the decal paper and put it into the warm water 40°C for 10 seconds.
2. Take the decal from the water and put it on a piece of clean cloth.
3. Remove the decal slowly from the paper to the targeted location by a wet finger.
4. Use a piece of dry and soft cloth to press it gently on the decal until it getting dry and no bubble existing.

水贴纸的使用方法:

- 一. 把相关的印花从水贴纸上剪下, 放入40°C左右的温水中浸10秒。
- 二. 然后将印花放在干净的布上。
- 三. 拿上印花纸板, 手指蘸水将印花移到适当的位置。
- 四. 用软干布轻压印花直至水干, 气泡消失。

1
STEP

2
STEP



对侧C3
Opposite C3

对侧E3
Opposite E3

E15

C14
C4
C6
E12
E6
E7
C12
E6 H 57 73
机灰色
Aircraft Gray
E7
C13
Decal 23
Decal 21

E17
E5
E4
E33
H 316 316
白色
White Insignia

E14
尾喷管
Tail spout

E22
E29
E26
E23
H 316 316
白色
White Insignia
E37
E10
E10

前起落架
Nose undercarriage

E2
E16
C16
C1
H 316 316
白色
White Insignia

E25

钻孔
Make holes

钻孔
Make holes
对侧相同
Both sides

Make holes
钻孔

右侧机翼
Right wing

E8
E9
制作2组
Make two

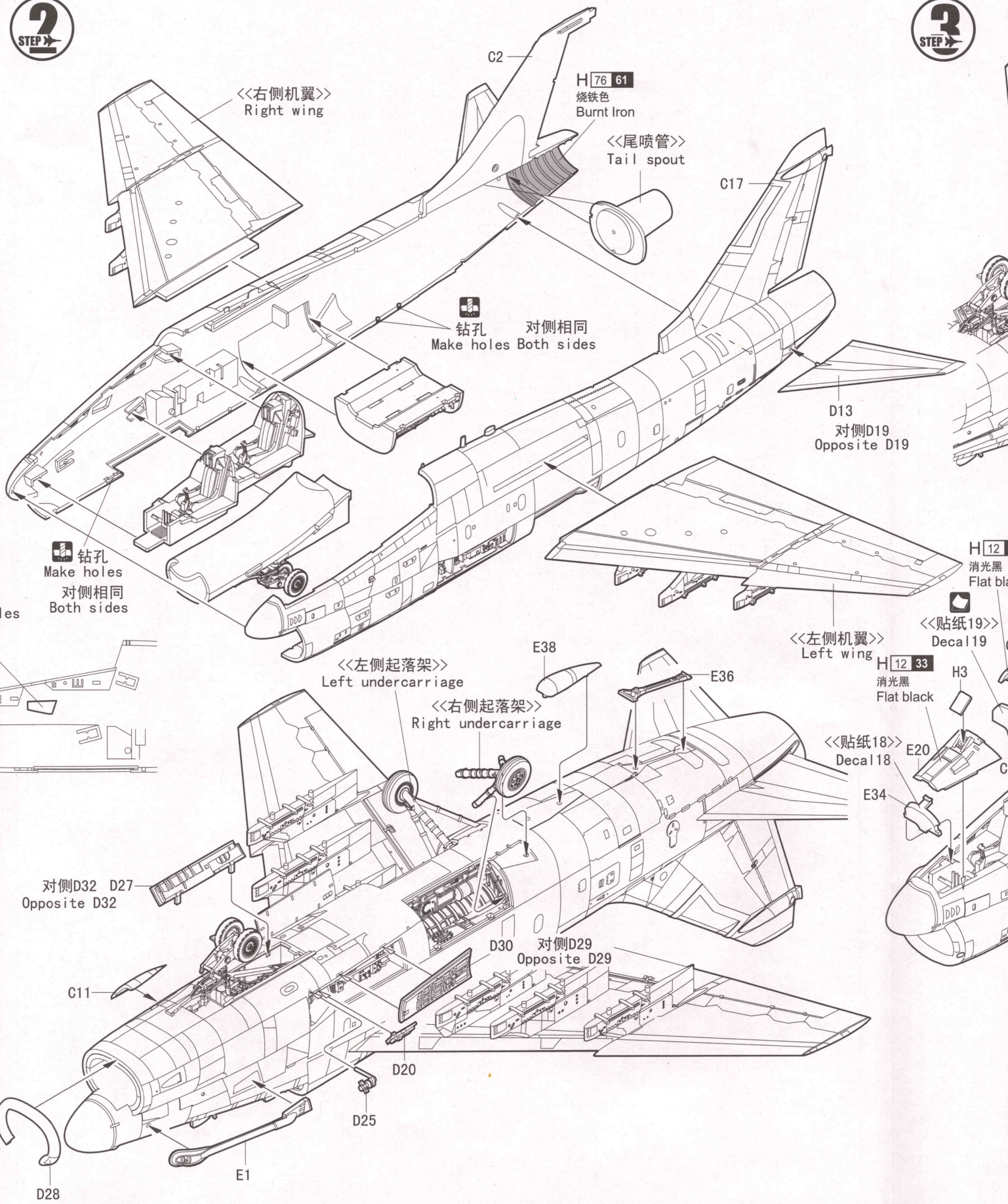
钻孔
Make holes

左起落架
Left undercarriage

对侧D32
Opposite D32

D10
D24
D9
D15
D2
D23
D12
D11
D17
D1
D17
左机翼
Left wing

E30
E27
H 316 316
白色
White Insignia
E21
E31
右起落架
Right undercarriage



《右侧机翼》
Right wing

H 76 64
烧铁色
Burnt Iron

《尾喷管》
Tail spout

钻孔 对侧相同
Make holes Both sides

D13
对侧D19
Opposite D19

钻孔
Make holes
对侧相同
Both sides

H 12 33
消光黑
Flat black

《左侧机翼》
Left wing

《贴纸19》
Decal 19

《左侧起落架》
Left undercarriage

《右侧起落架》
Right undercarriage

H 12 33
消光黑
Flat black

《贴纸18》
Decal 18

对侧D32 D27
Opposite D32

D30 对侧D29
Opposite D29

D28

E1

D25

D20

C11

C2

C17

E38

E36

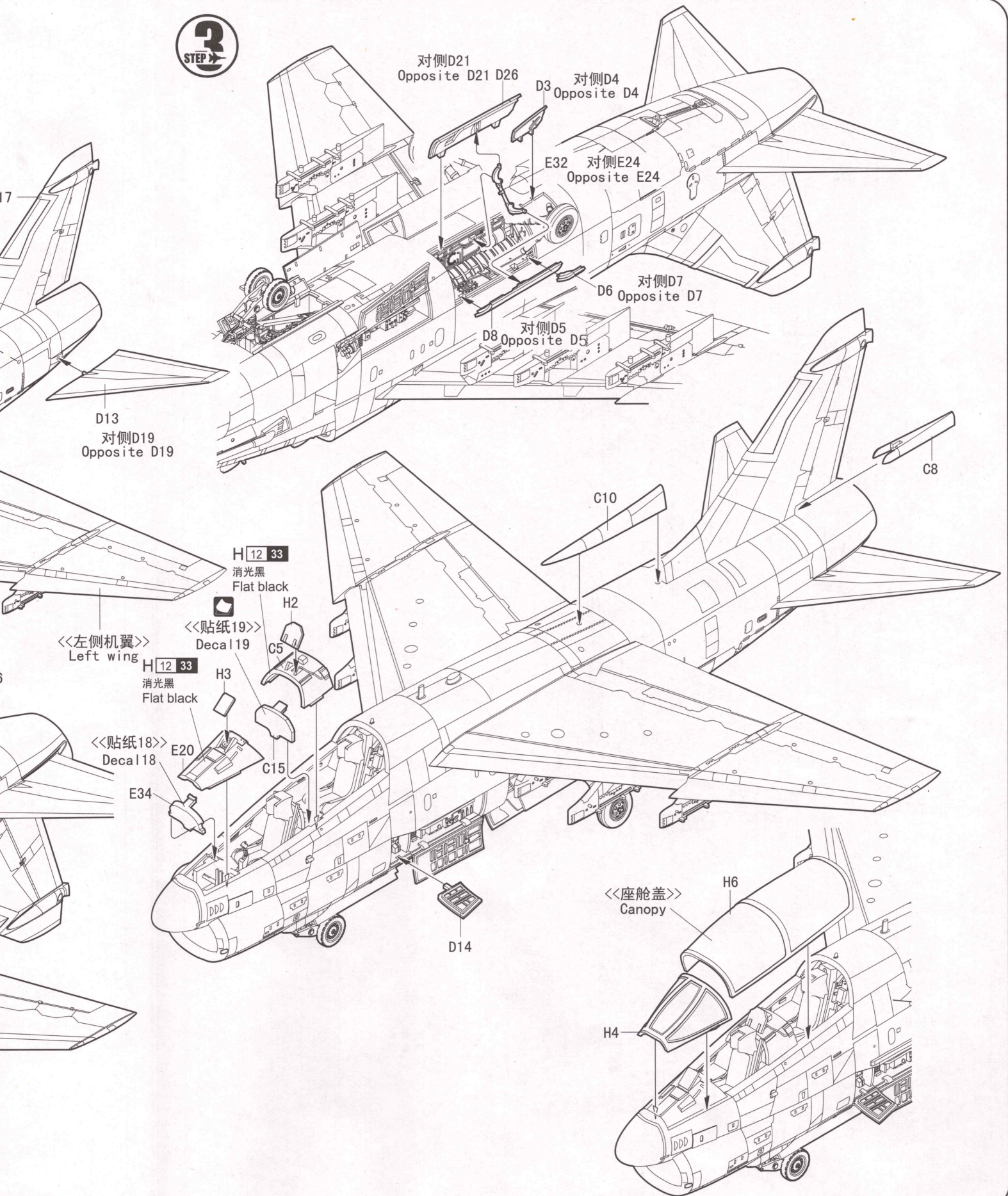
H3

E20

E34

C

3
STEP



对侧D21
Opposite D21 D26

对侧D4
Opposite D4

E32 对侧E24
Opposite E24

对侧D7
Opposite D7

对侧D5
Opposite D5

D13
对侧D19
Opposite D19

C10

C8

H12 33
消光黑
Flat black

<<左侧机翼>>
Left wing

<<贴纸19>>
Decal 19

H12 33
消光黑
Flat black

<<贴纸18>>
Decal 18

E34

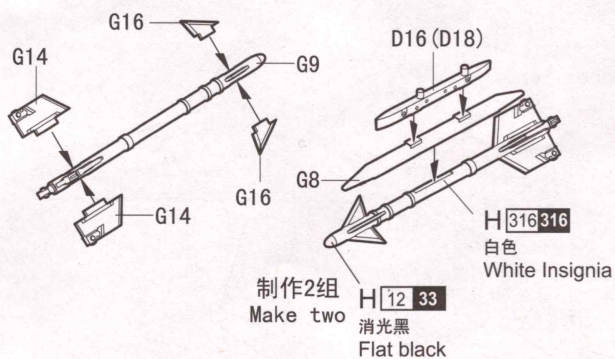
D14

<<座舱盖>>
Canopy

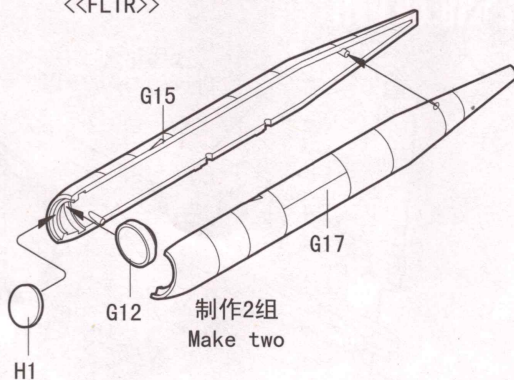
H4

H6

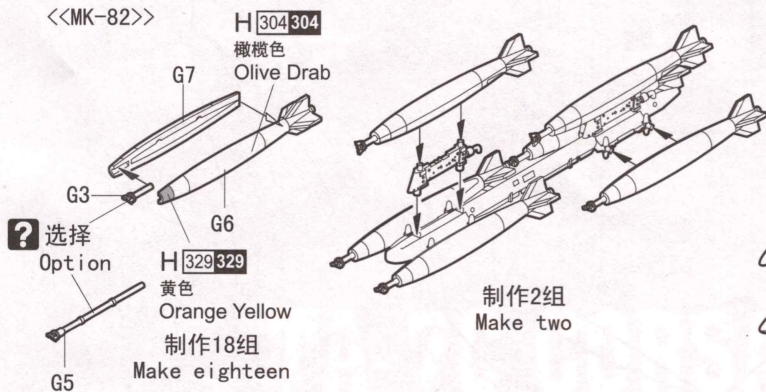
<<AIM-9B>>



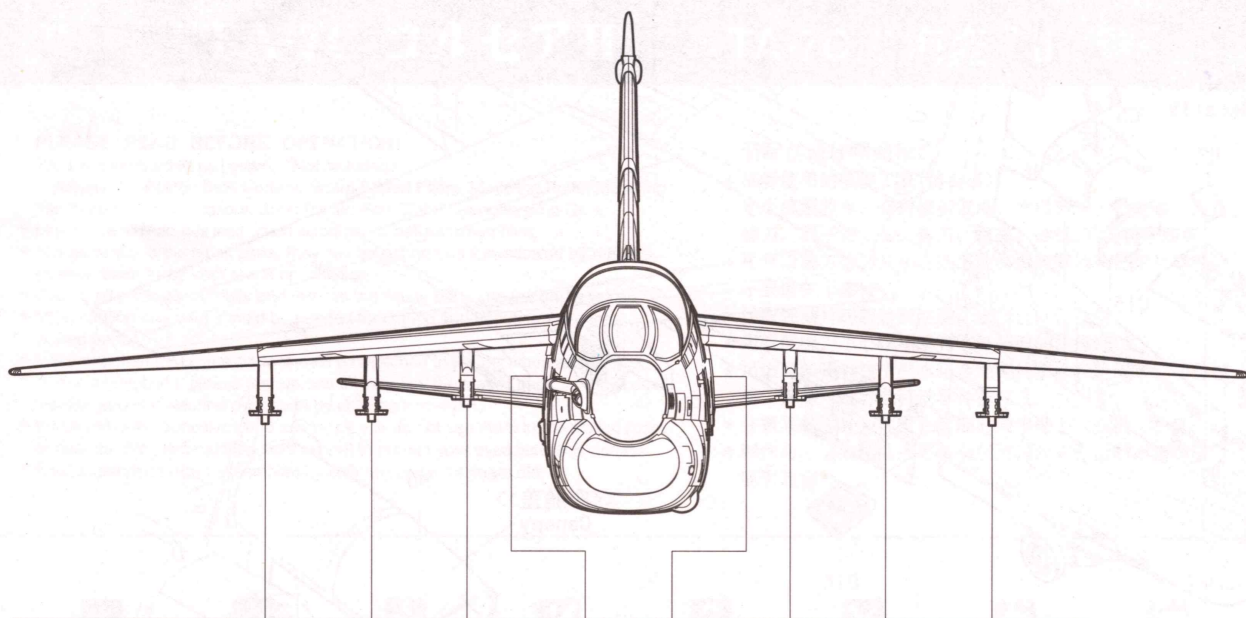
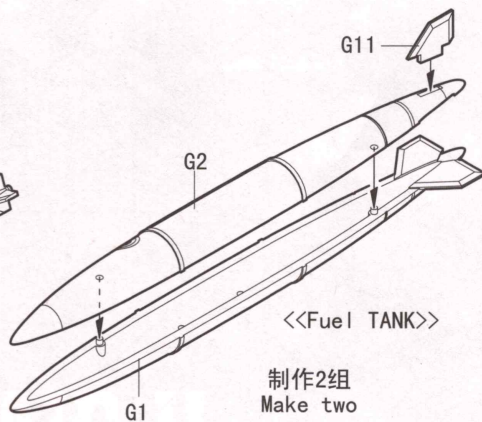
<<FLIR>>



<<MK-82>>



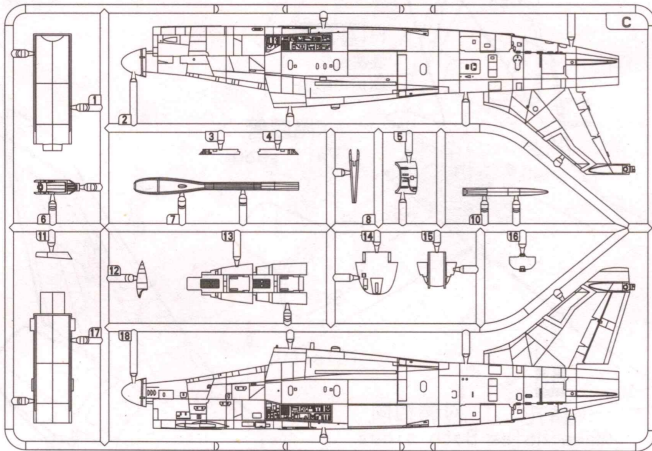
<<Fuel TANK>>



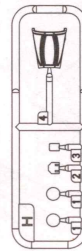
Sta. No.	1	2	3	4	5	6	7	8
Missile/Tank								
MK-82	●	●●●●	●			●	●●●●	●
AIM-9B				●	●			
FLIR						●		
TANK	●							●

部品图 parts

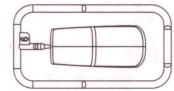
C×1



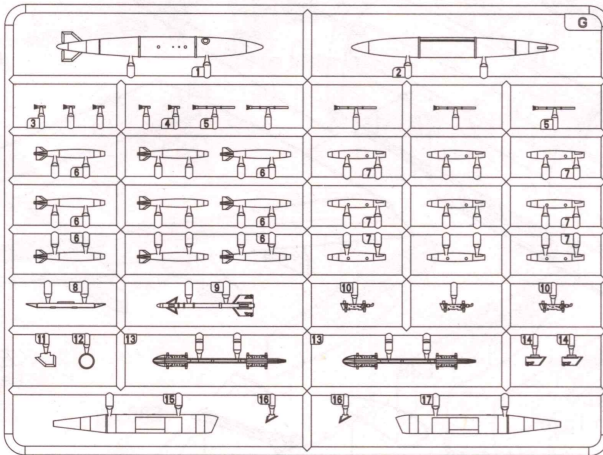
H×1



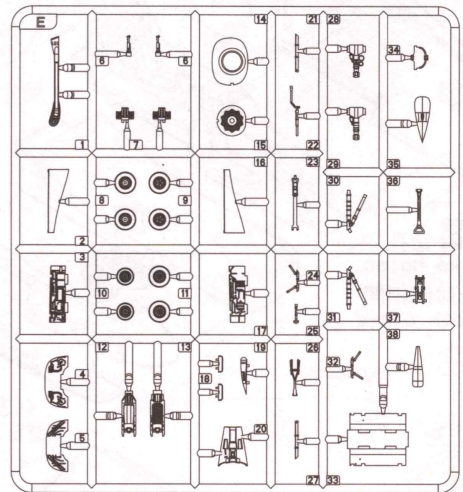
《座舱盖》
Canopy



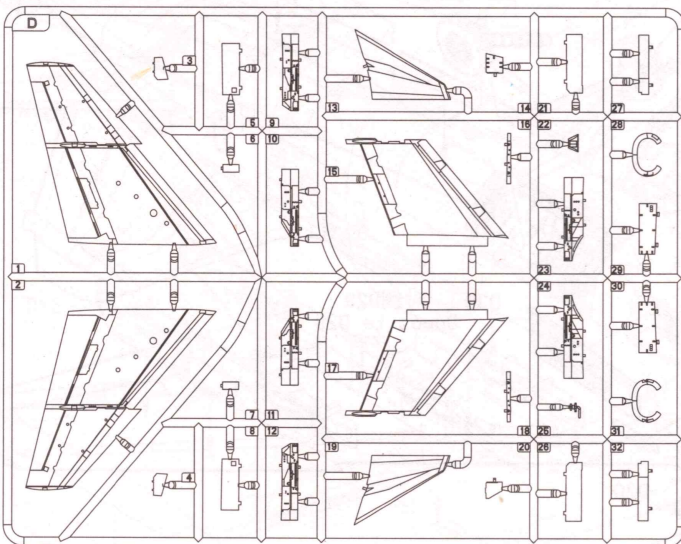
G×2



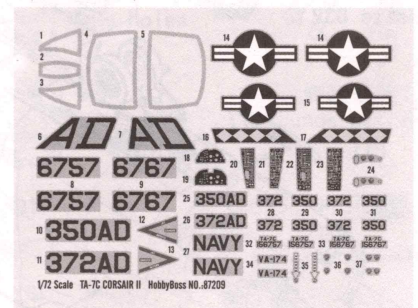
E×1



D×1

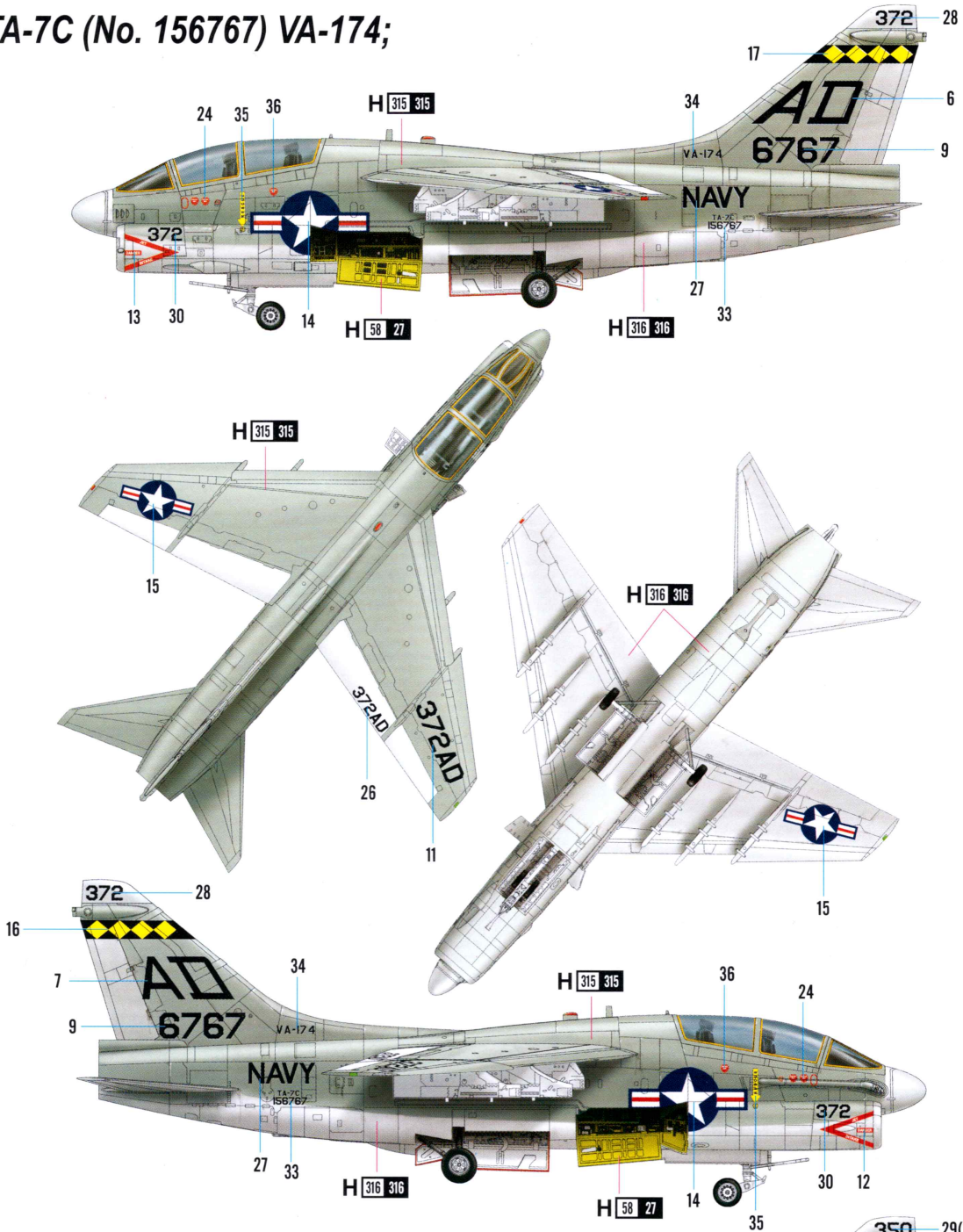


《水贴》
Decal

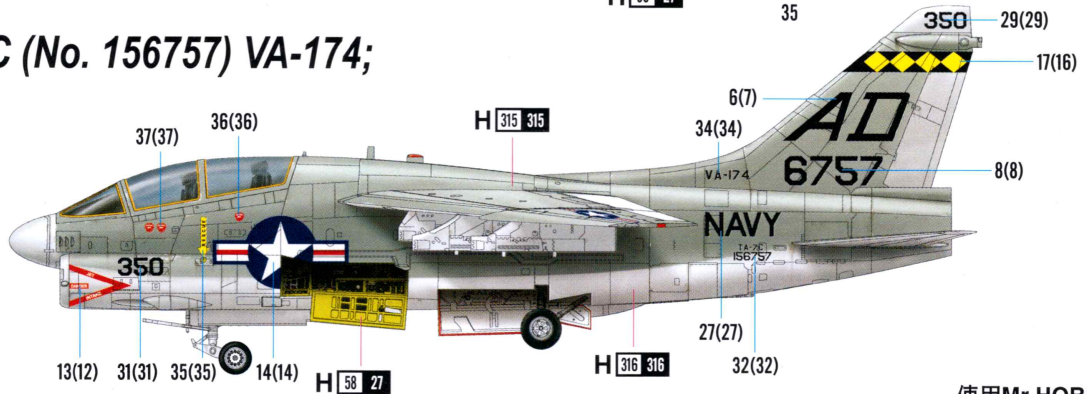


不用的部件: C7 C11 D22 D31 E11 E12 E18 E19 E28 E35
Unused parts

I TA-7C (No. 156767) VA-174;



II TA-7C (No. 156757) VA-174;



使用Mr.HOBBY涂料

Mr. Color used

8 AQUEOUS HOBBY COLOUR

8 MR.COLOUR

H 315 315

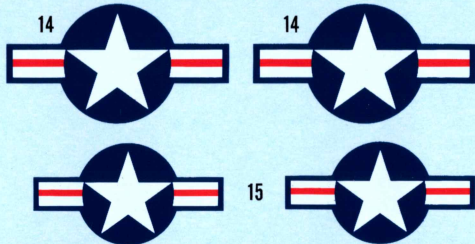
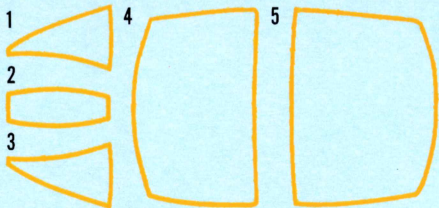
H 316 316

H 58 27

Light Gull

White
Insignia

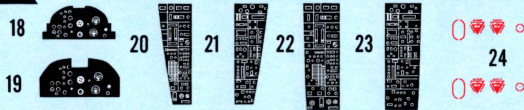
Interior Green



6 **AD** 7 **AD**



8 **6757** 9 **6767**



10 **350AD** 11 **372AD**

25 **350AD** 26 **372AD** 27 **NAVY**
28 **372** 29 **350** 30 **372** 31 **350**
32 **TA-7C** 33 **TA-7C** 34 **VA-174**
IS6757 **IS6757** **IS6767** **VA-174**



1/72 Scale TA-7C CORSAIR II HobbyBoss NO.:87209