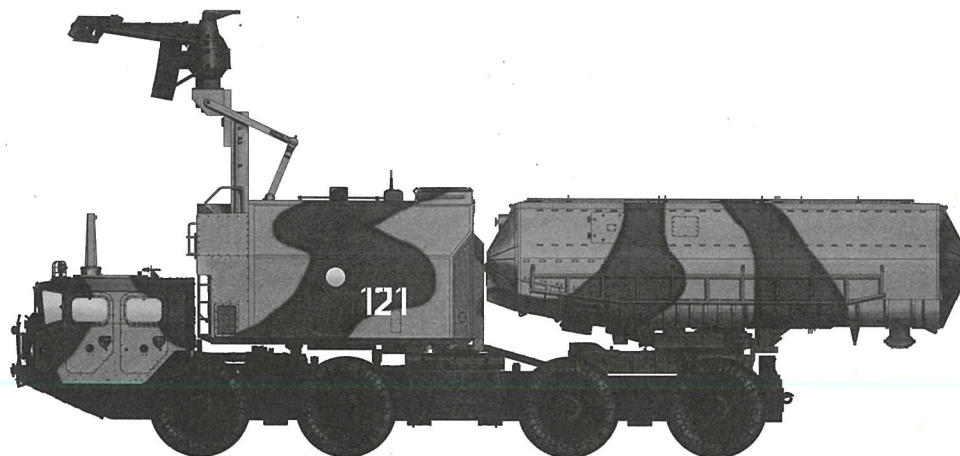


1/35 SCALE

ITEM NO.:01035



# Russian 4K51 Rubezh Coastal ASM with P-15

## 俄罗斯4K51反舰导弹

### READ BEFORE ASSEMBLY:

- This kit is not recommended for inexperienced modelers or for children under 14 years of age
- Study and understand these instructions thoroughly before beginning assembly
- When needed, remove photo-etch parts carefully using a modeling knife or photo etch sprue cutter, being careful not to damage or lose small parts.
- Take extra care in handling photo etch parts in order to avoid injury
- Apply instant cement sparingly to photo etch parts where instructed
- Tools recommended(not included in kit):Plastic and instant cements,sprue cutters,long nose pliers,modeling knife, small files, tweezers, pin vise & scissors. Soft cloth and sandpaper will also assist in construction
- Glue and paint are not included in the kit. Use plastic cement and hobby paints only. Color guide for purchasing paint is included in the kit.
- Keep out of reach of children. They must not be allowed to ingest small parts or handle plastic bags in any way.

### 装配之前仔细阅读

- 小心用模型锉刀锉平所有零件表面的注射浇口。
- 小心用刀片切下蚀刻片零件，不要遗失小零件。
- 用强力快干胶水粘合蚀刻片零件和金属轴。过量的快干胶水使用可能导致可动零件会粘住，小心涂胶。
- 取蚀刻片时应特别注意安全，防止利边划伤手指。
- 某些零件表面需贴水上贴纸，请选择在装配的同时进行。
- 推荐模型工具(自备)：胶水，水口剪刀，长咀钳，刀片，锉刀，镊子钳，钻，剪刀，瞬间快干胶。
- 软布同砂纸同时也应该是必备工具。
- 请使用塑料胶水和油漆，模型内不含。
- 谨防小孩吸吮塑料零件，或者将塑料袋套在头上，制作时应将套材远离小孩接触。
- 本产品不适合14岁以下没有经验的模型爱好者。

### 水贴纸的使用:

1. 从水贴上剪下印花;
2. 将印花放入温水中浸10秒，然后放在干净布上。
3. 拿着印花纸板将印花移到模型上;
4. 手指蘸水将印花移到适当的位置;
5. 用软布轻压印花直至水干，气泡消失。

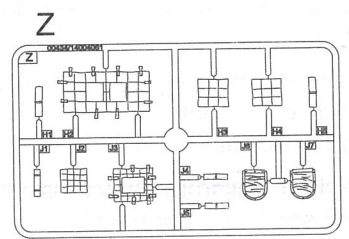
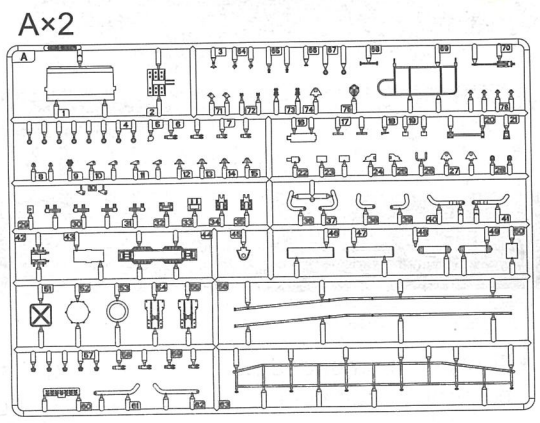
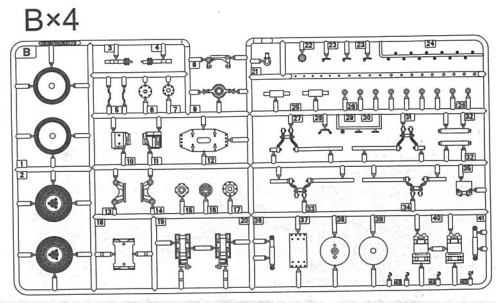
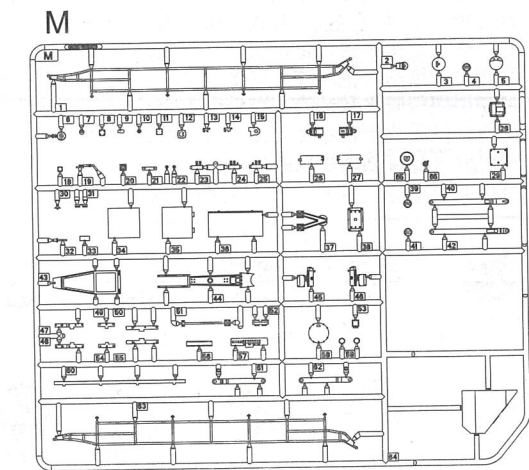
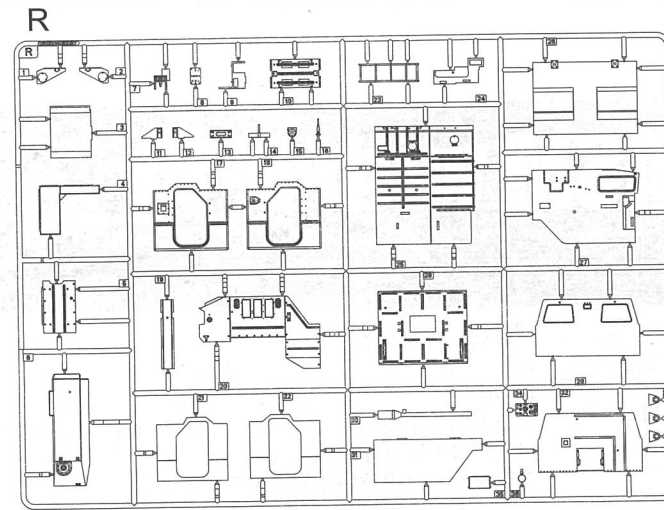
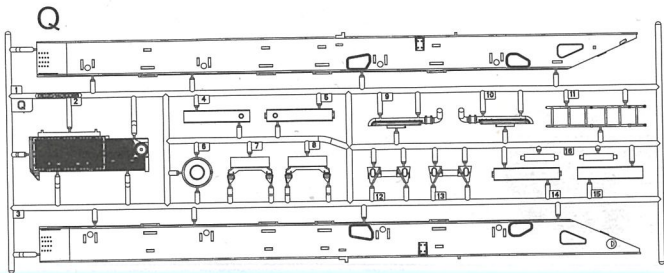
### DECAL APPLICATION:

1. Cut decals from sheet as needed
2. Dip the decal in warm water for about 10 seconds and then place on soft clean cloth.
3. Hold the decal backing sheet edge and gently slide the decal onto the model in its proper position.

4. While still wet, decal can be adjusted for better fit on model by dampening it gently with your finger.
5. When placed in the proper position, gently press decal down with a soft cloth until excess water and air bubbles are gone.
6. Allow decal to dry completely before handling model

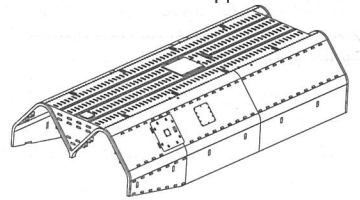


部品图  
Parts

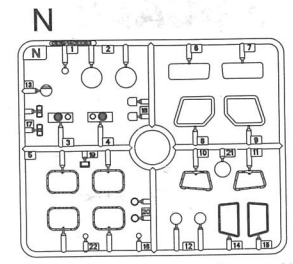
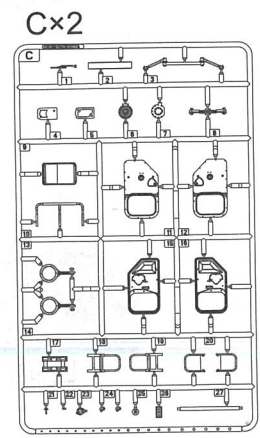
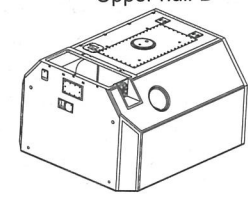


《聚乙烯套》  
Poly cap

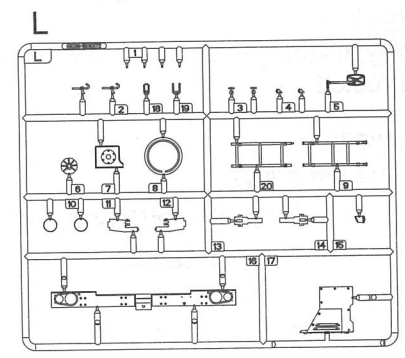
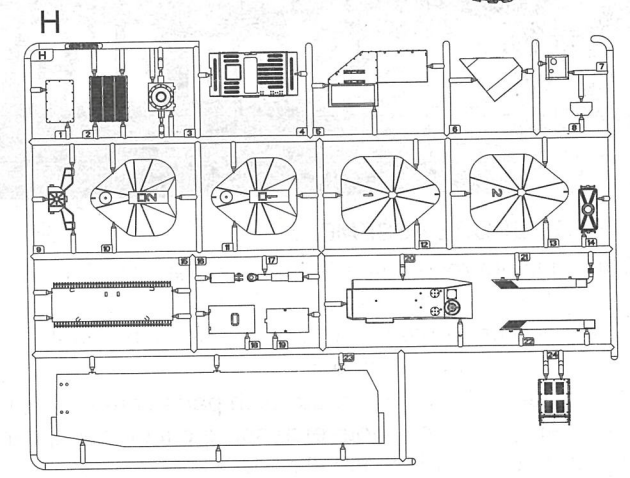
《车壳C》  
Upper hull-C

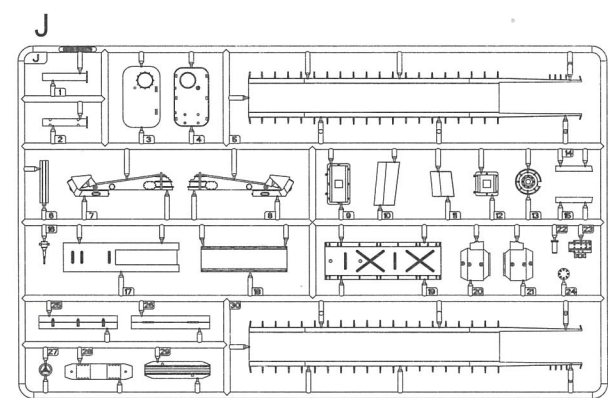
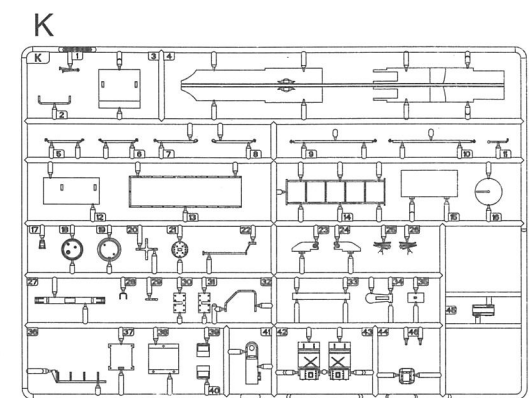
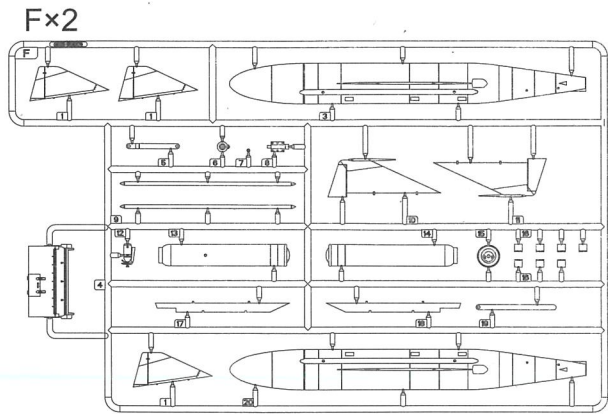
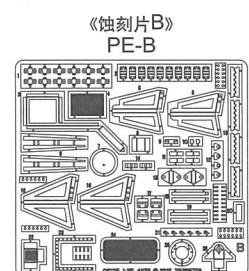
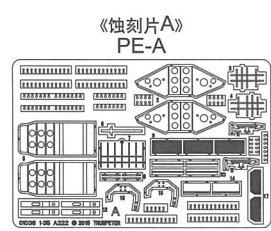
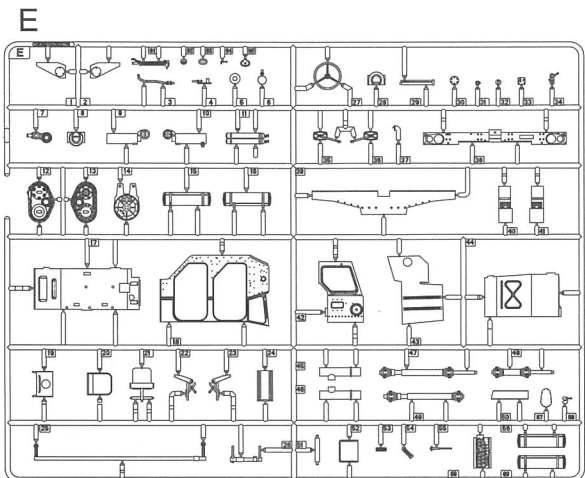
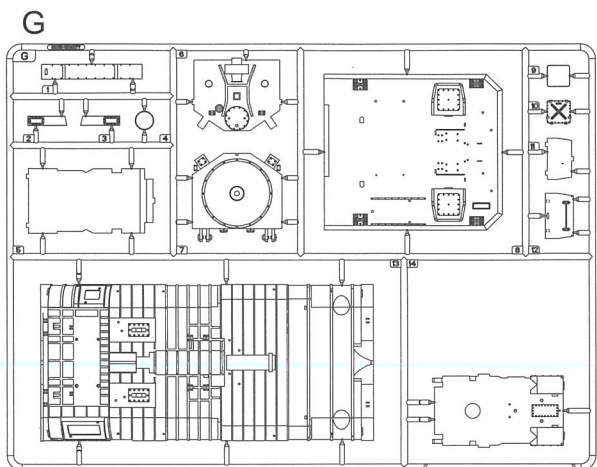
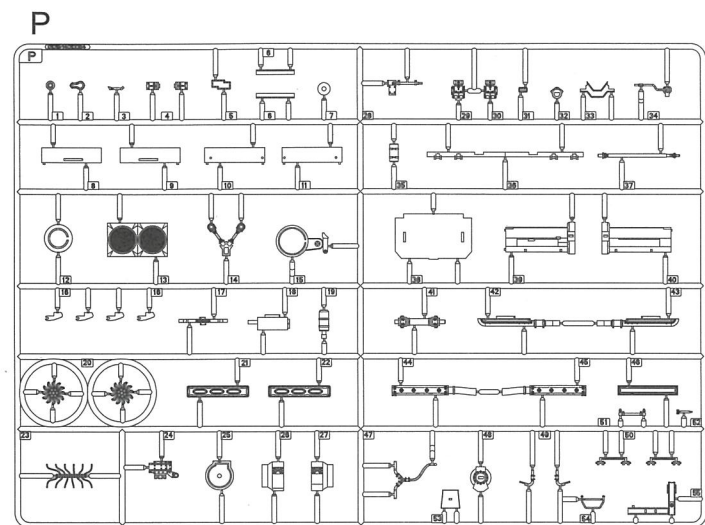
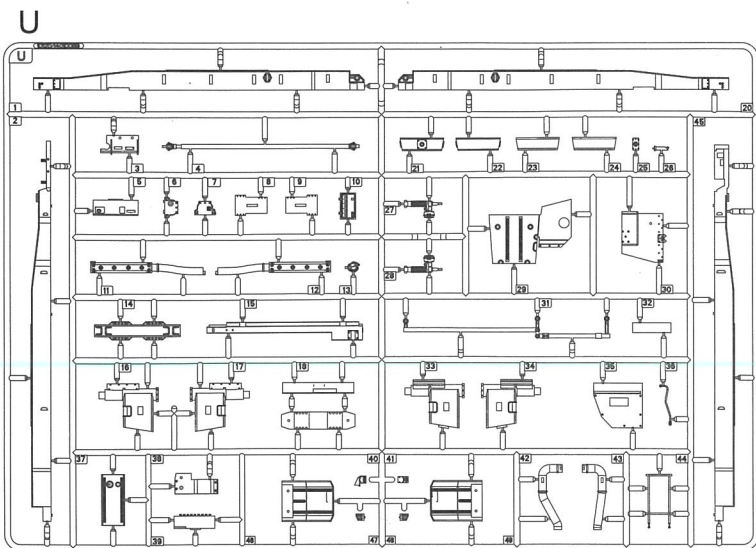


《车壳B》  
Upper hull-B

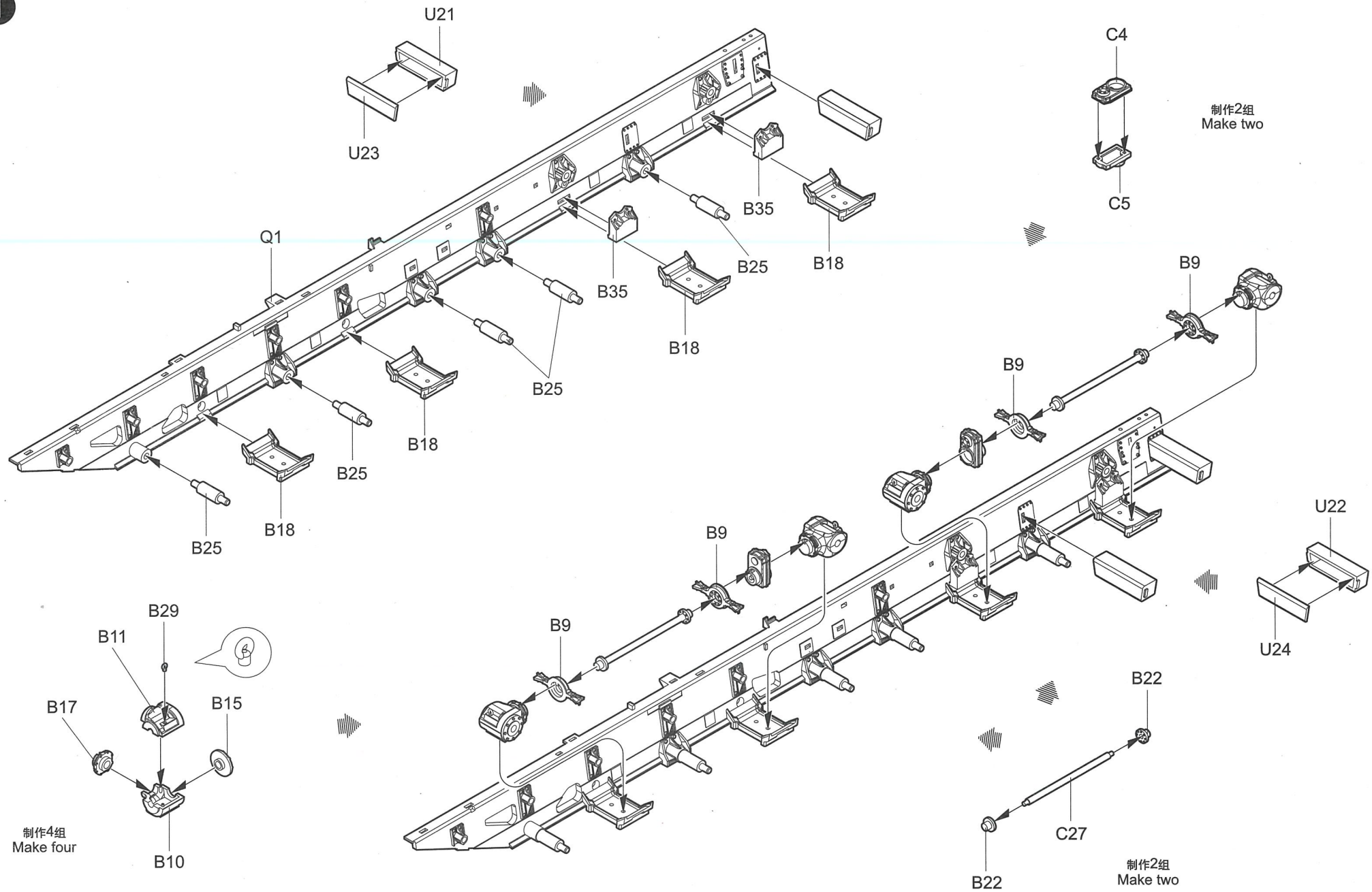


《轮胎》X8  
Tyre

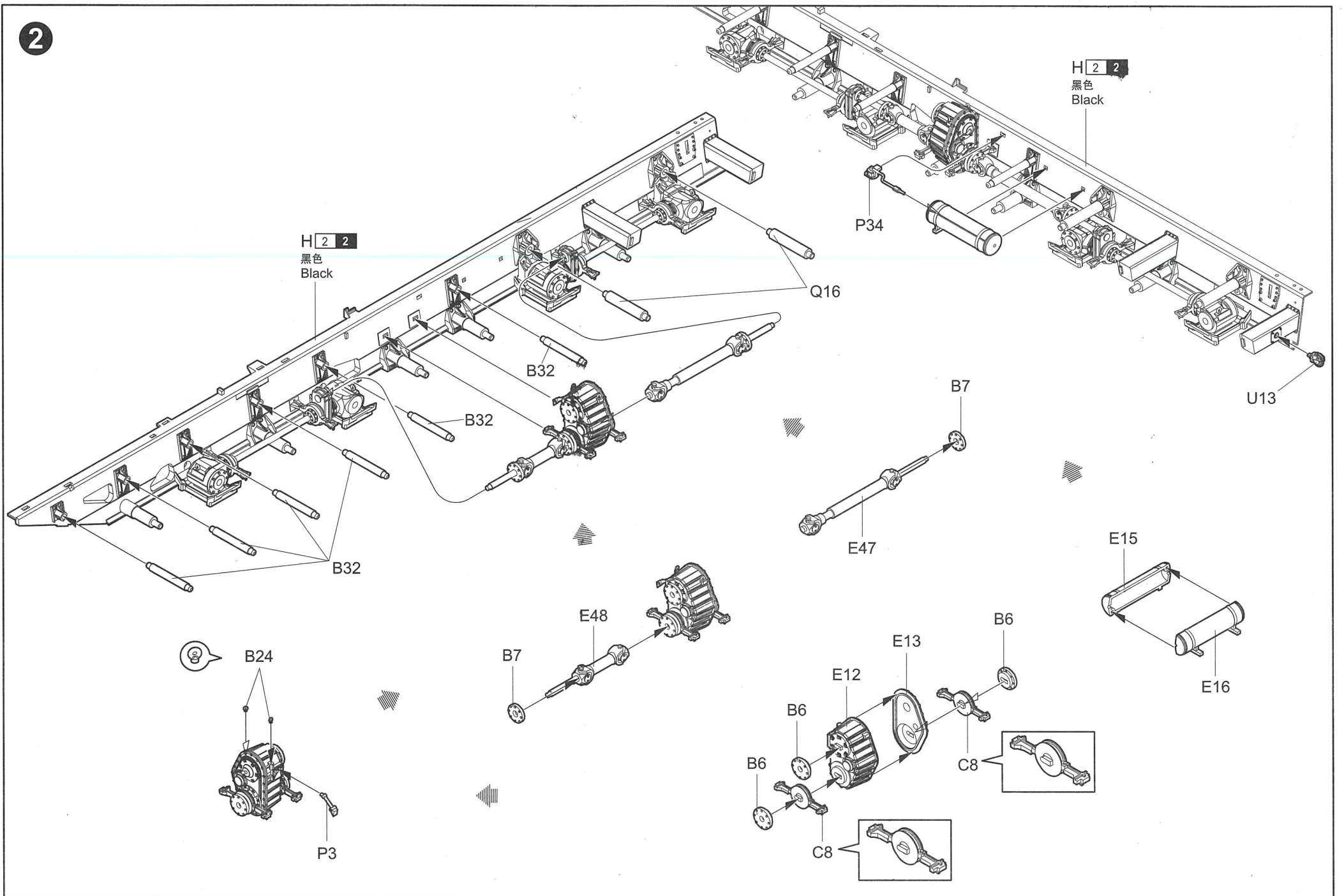




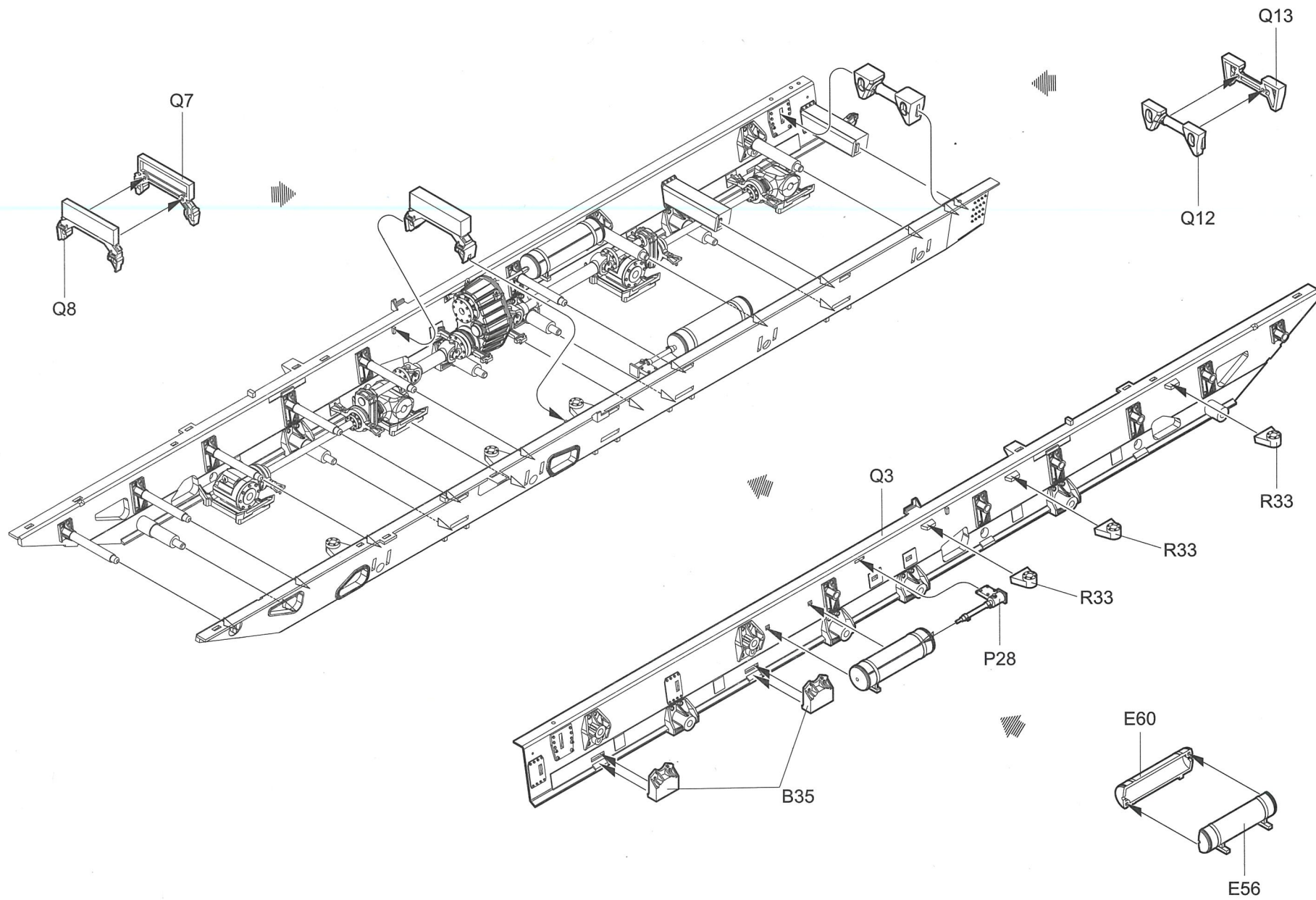
1

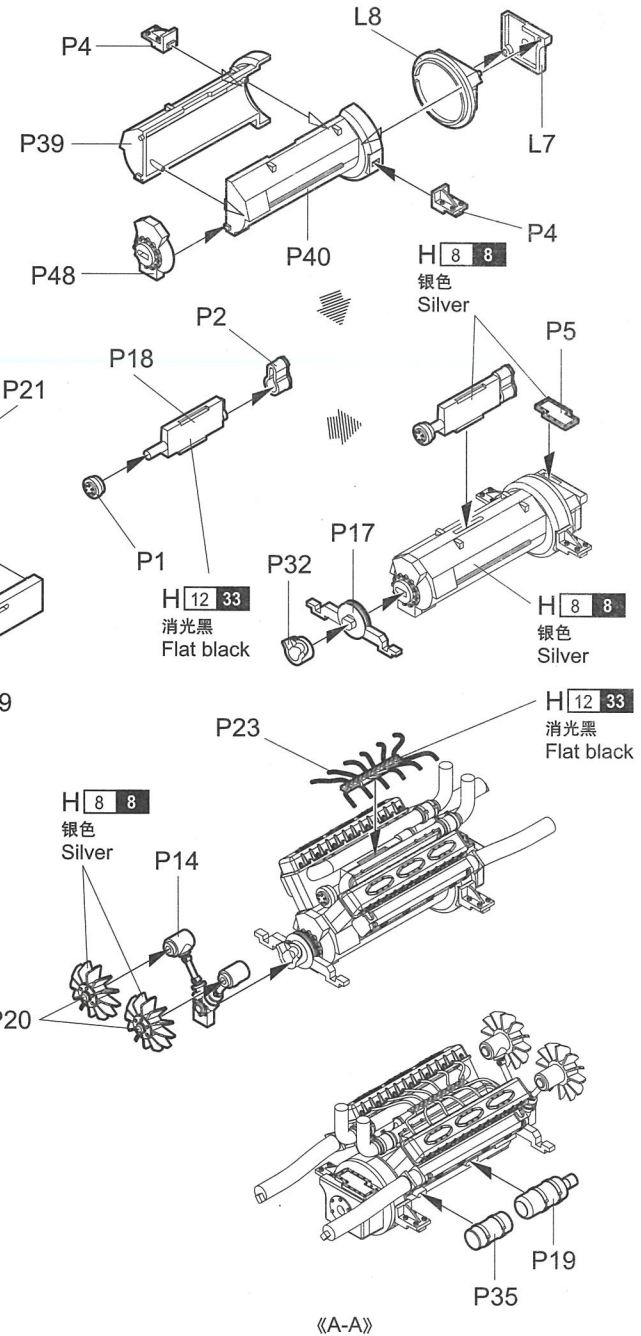
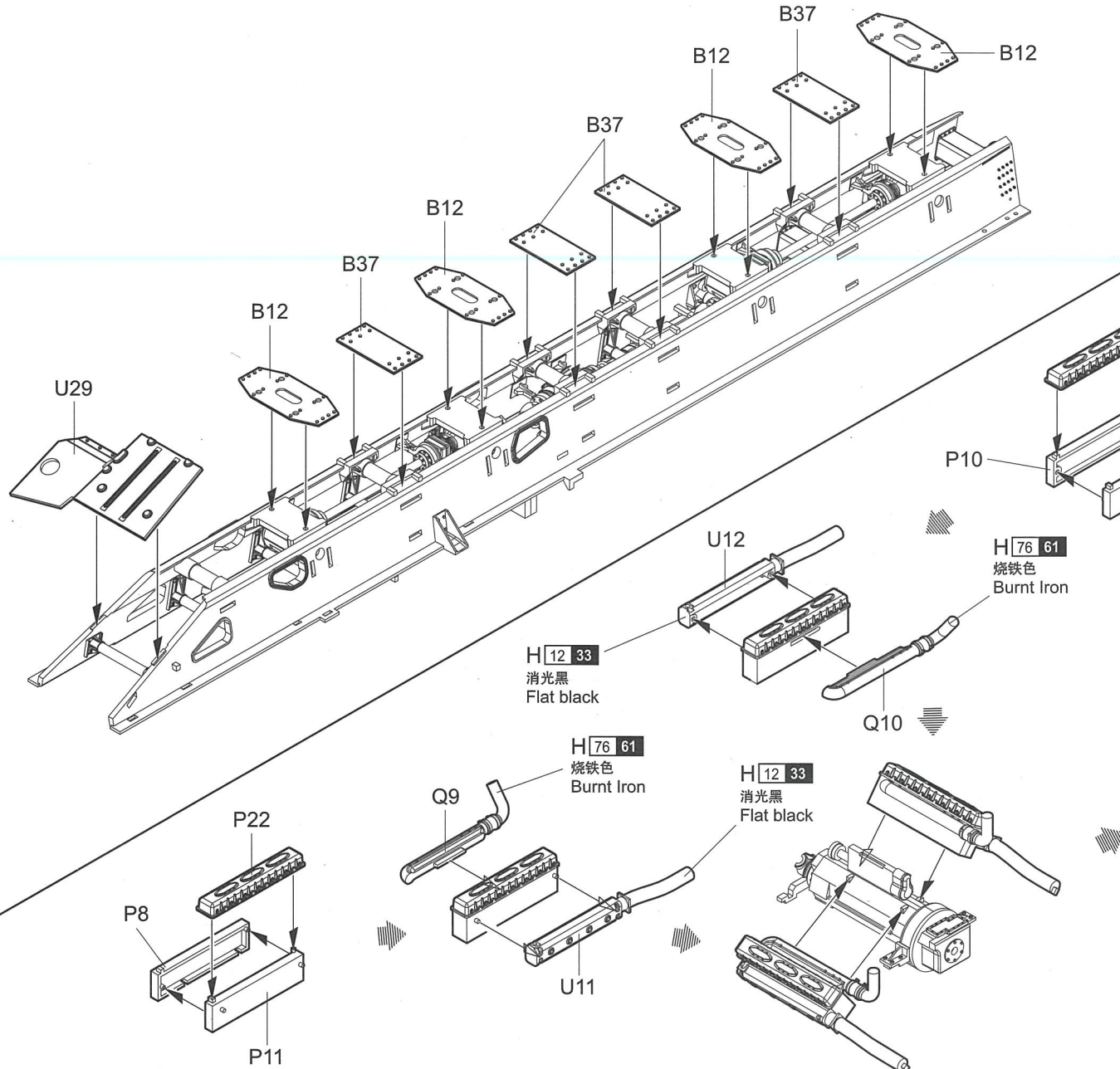


2



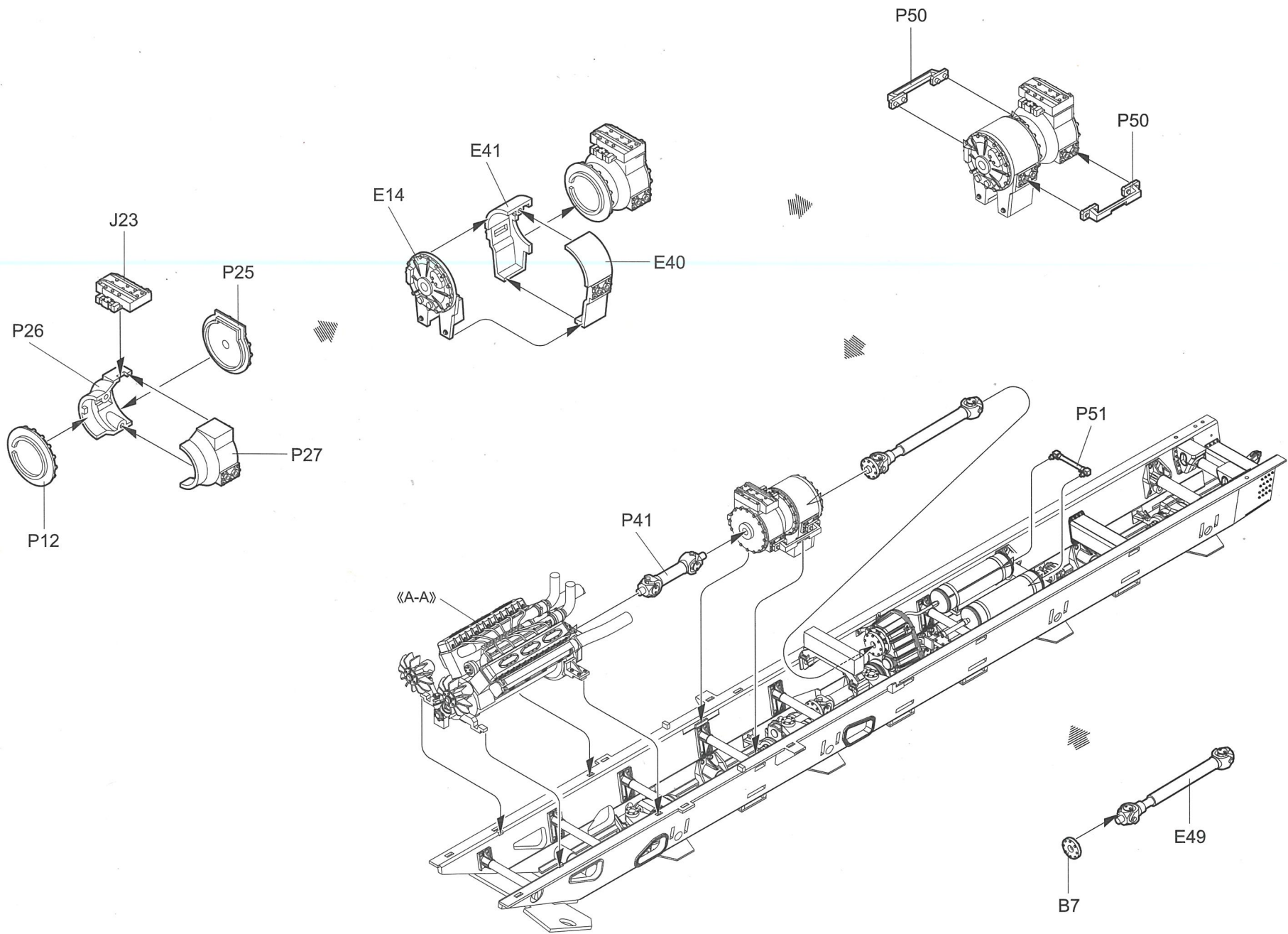
3





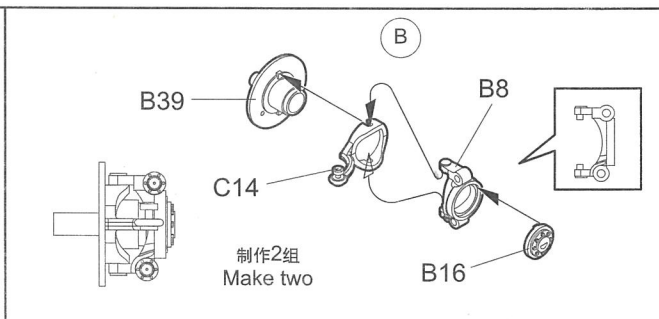
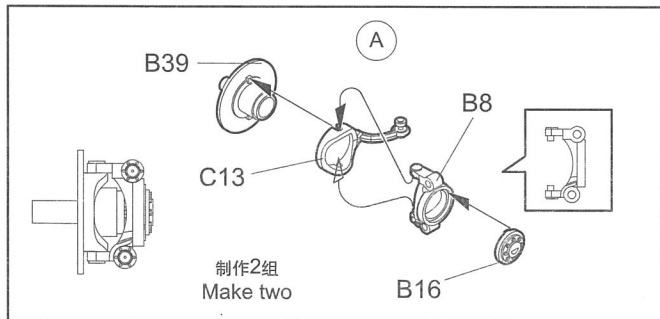
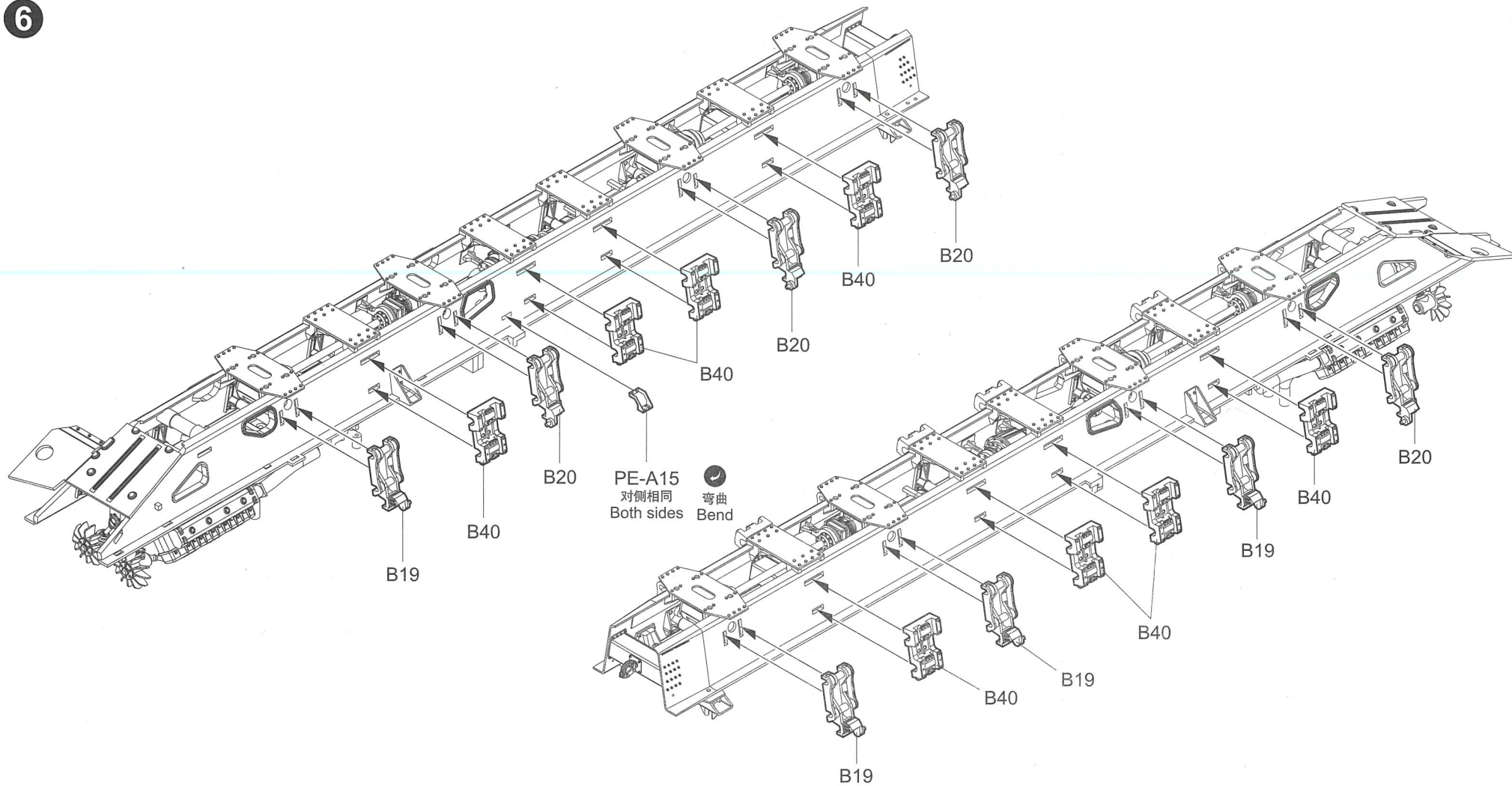
《A-A》

5

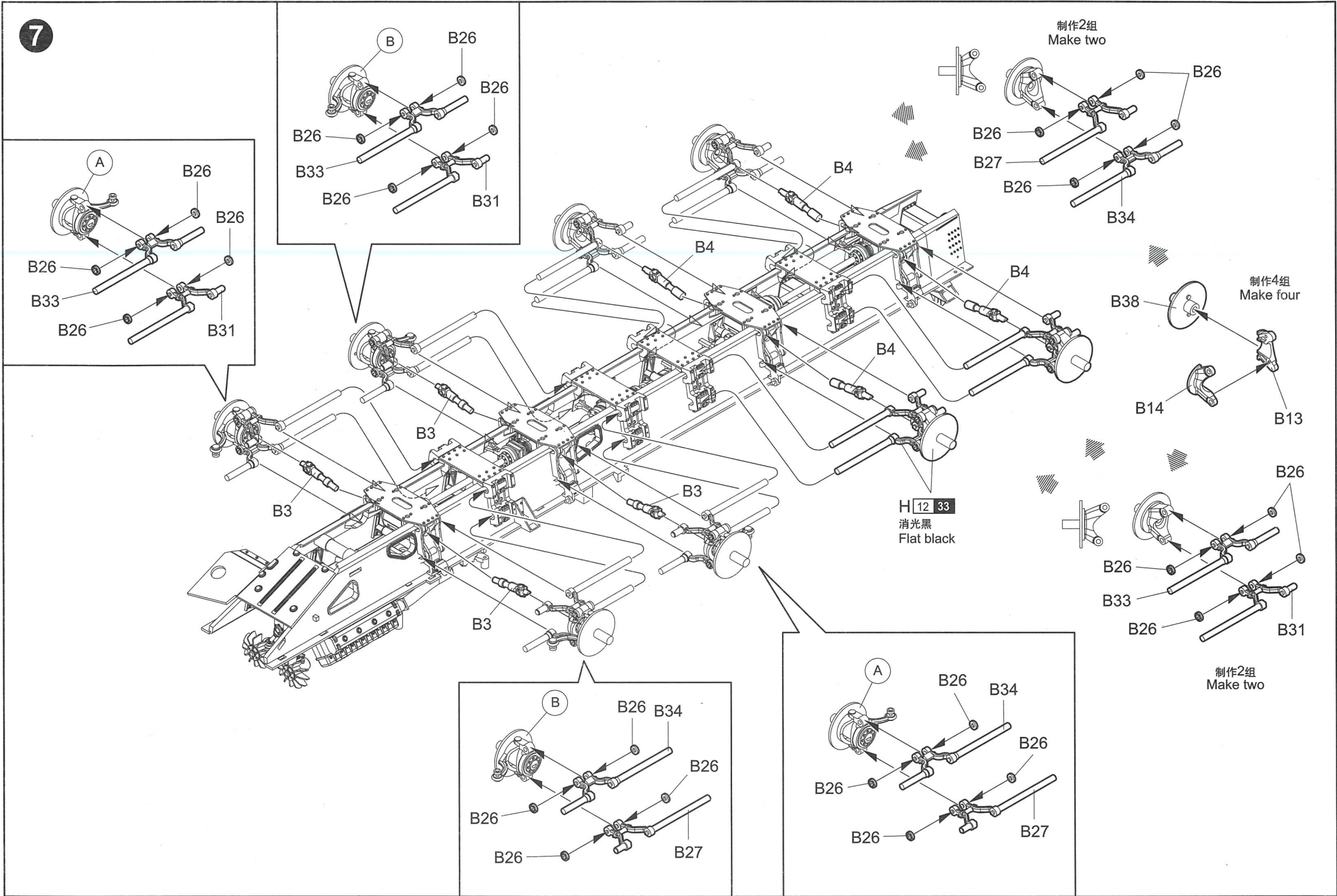


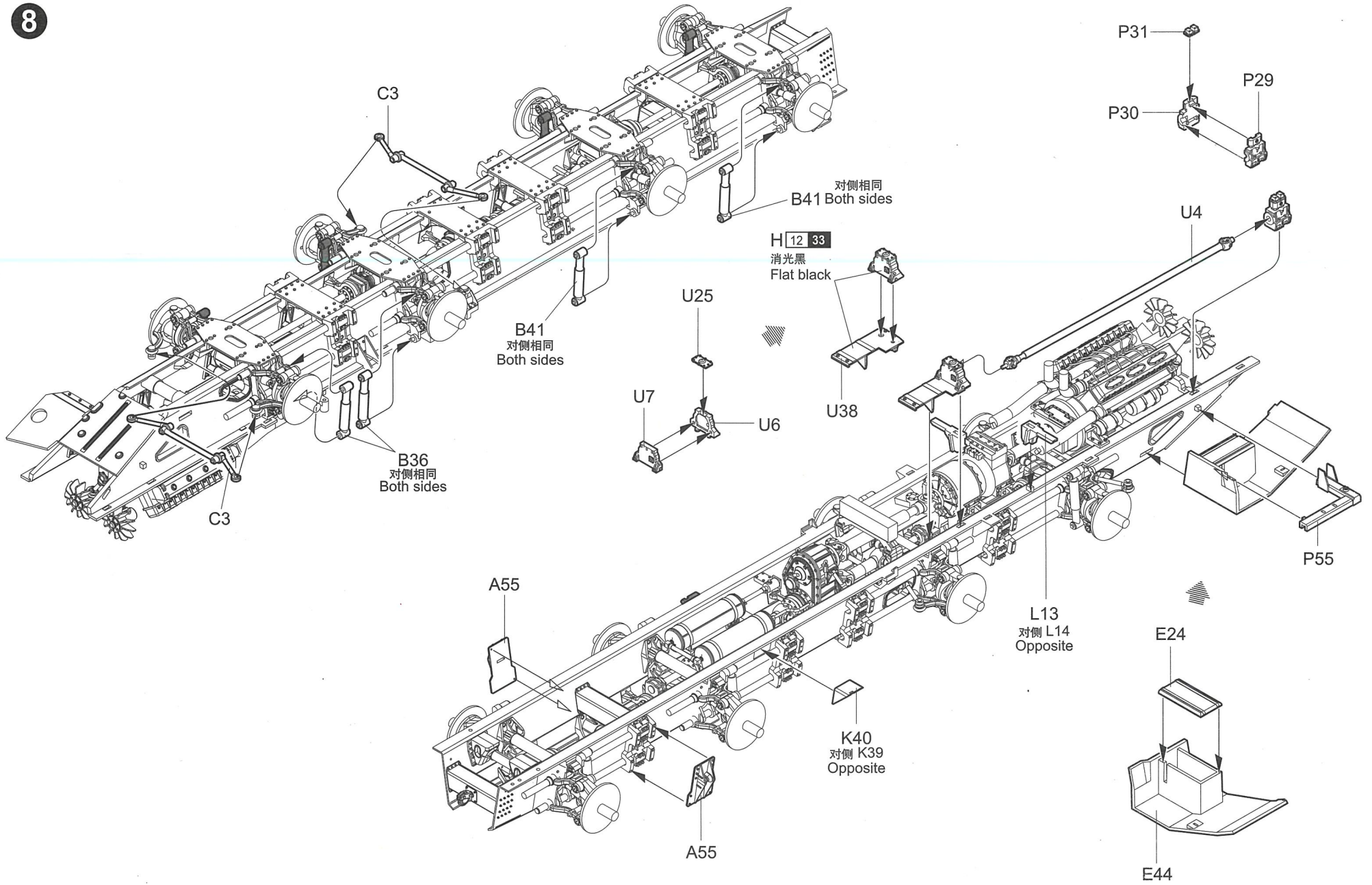


6



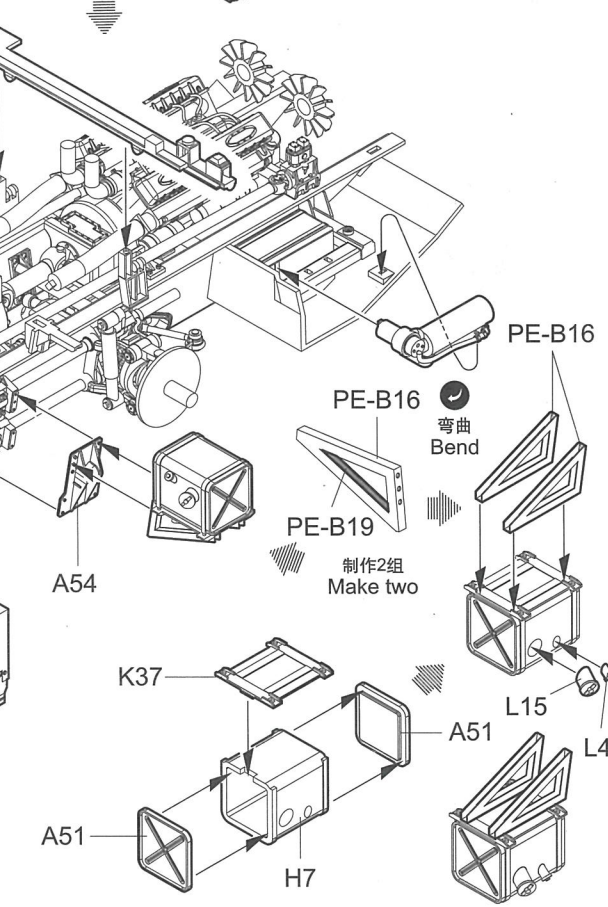
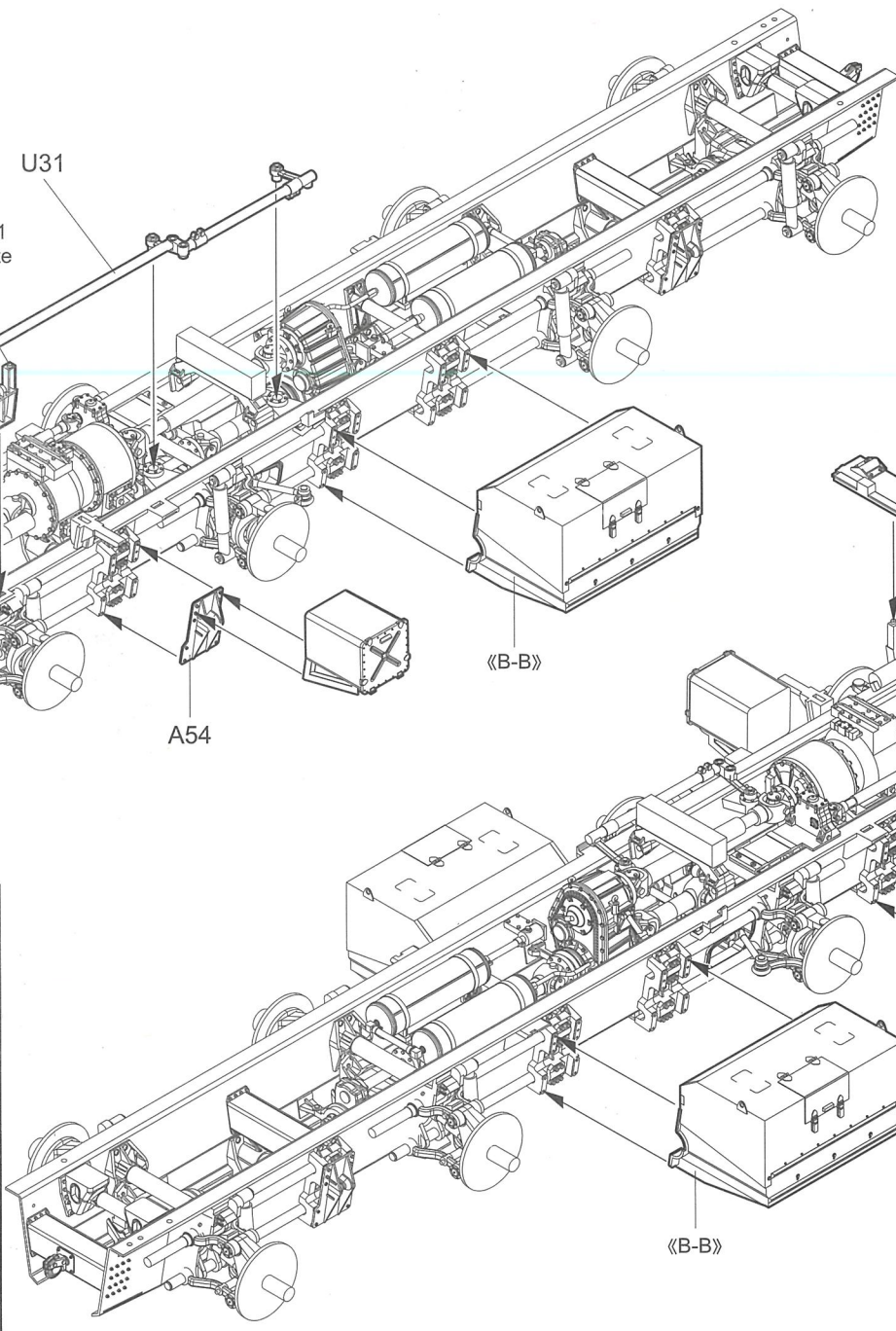
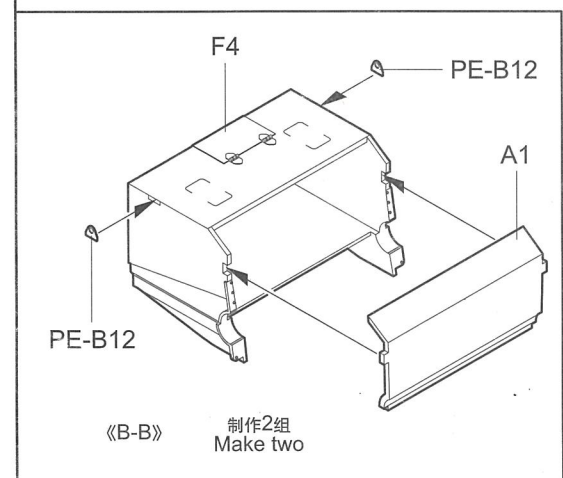
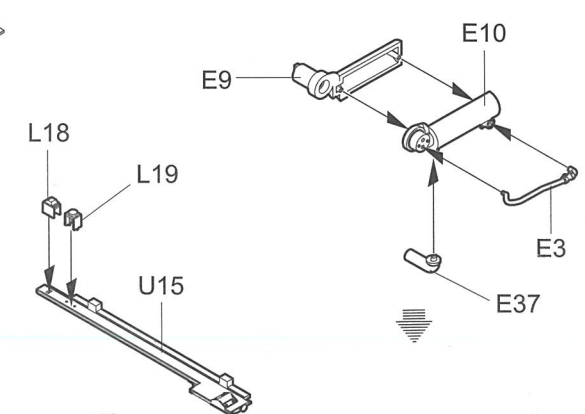
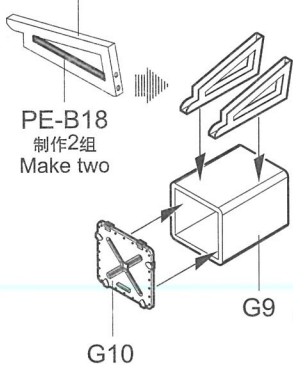
7



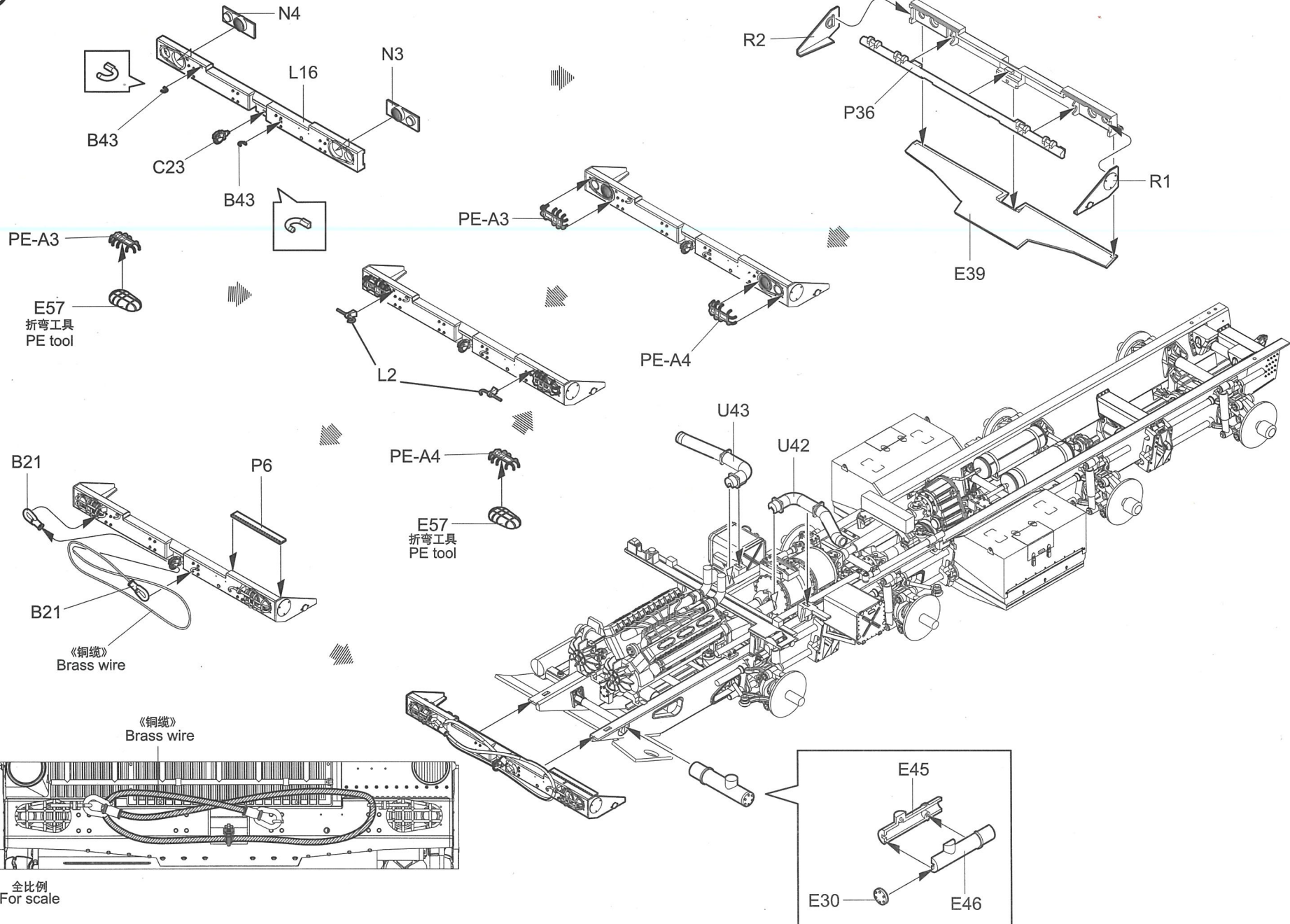


9

PE-B5 弯曲 Bend

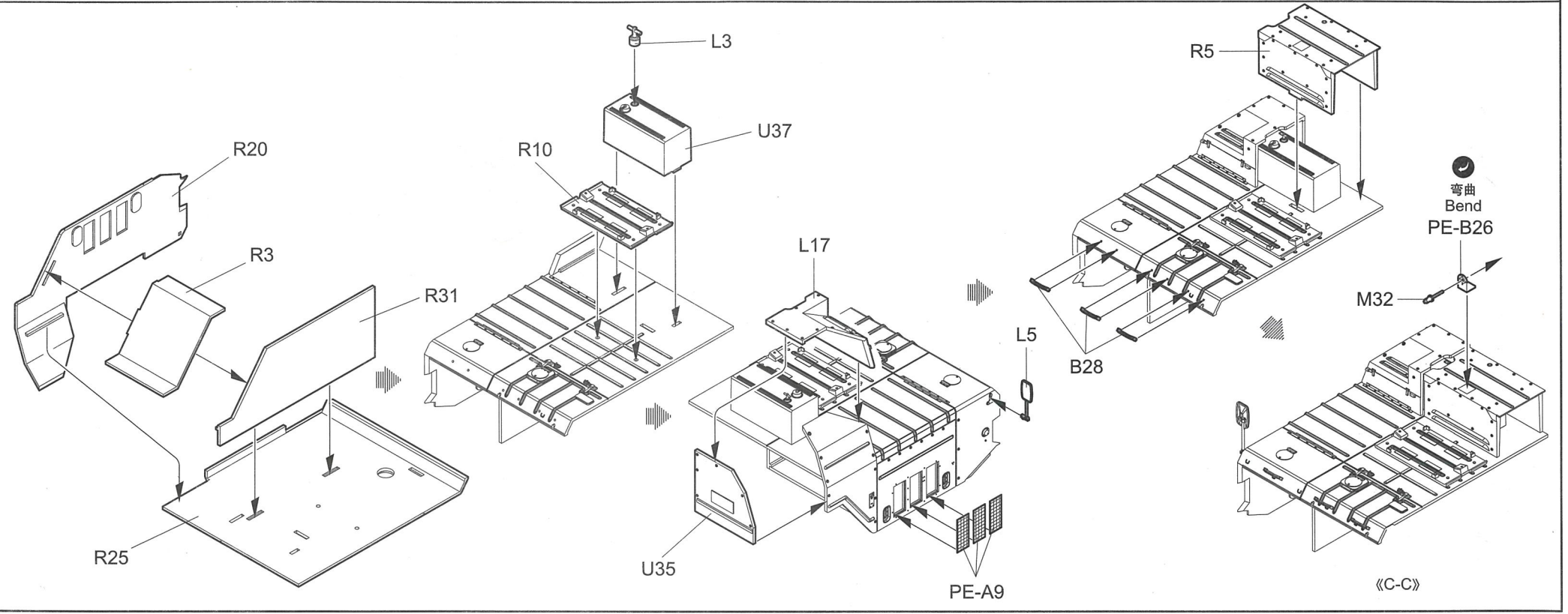
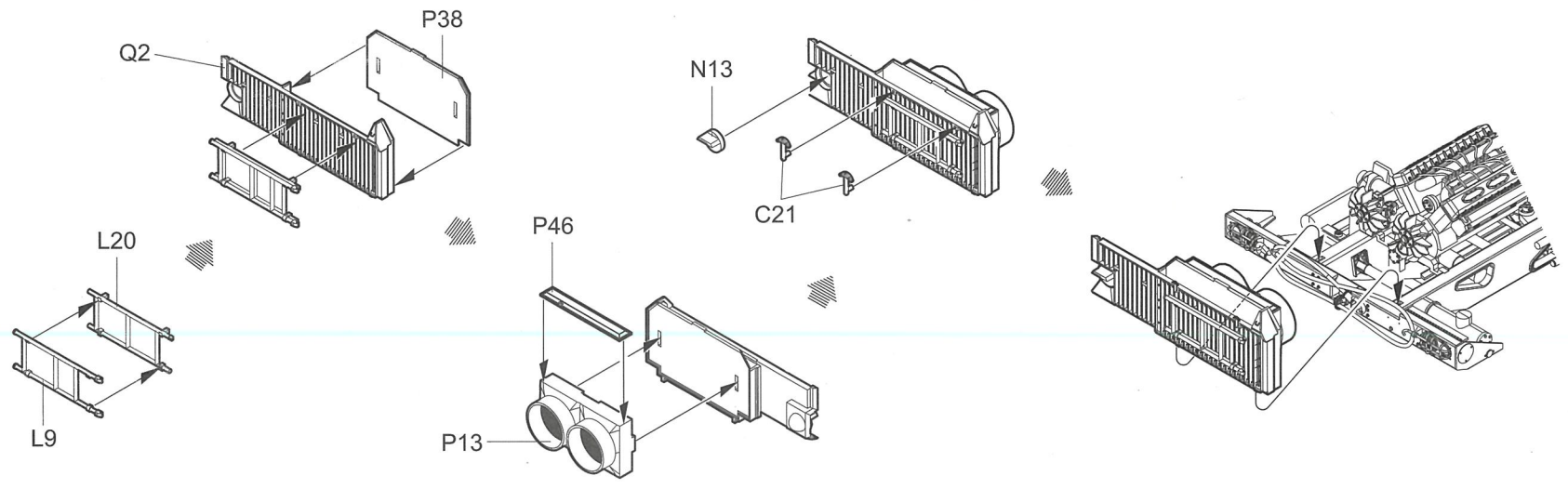


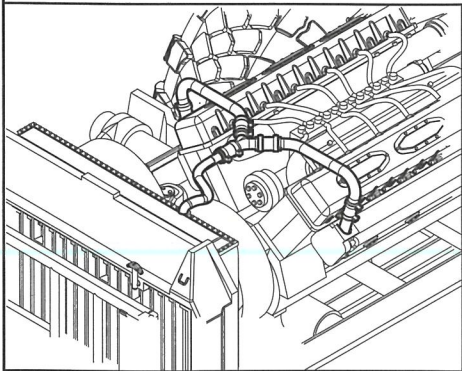
10



全比例  
For scale

11





《轮胎》 Tyre  
制作4组 Make four

《右侧轮子》 Right wheel

B1

《聚乙烯套》 Poly cap  
制作8组 Make eight

B2

《轮胎》 Tyre  
制作4组 Make four

《左侧轮子》 Left wheel

P47

《右侧轮子》×4 Right wheel ×4

K27

《左侧轮子》×4 Left wheel ×4

P49

J26

K28

弯曲 Bend PE-B17

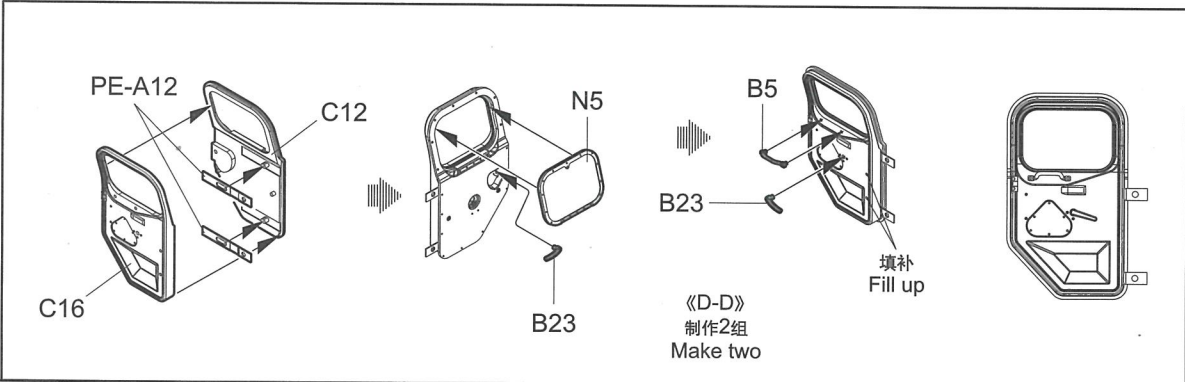
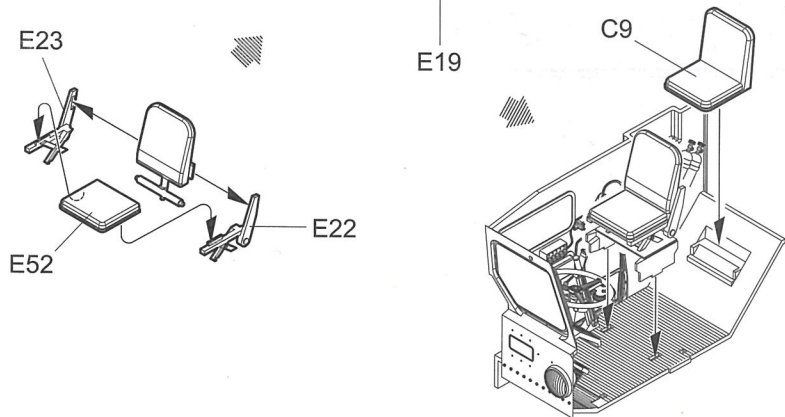
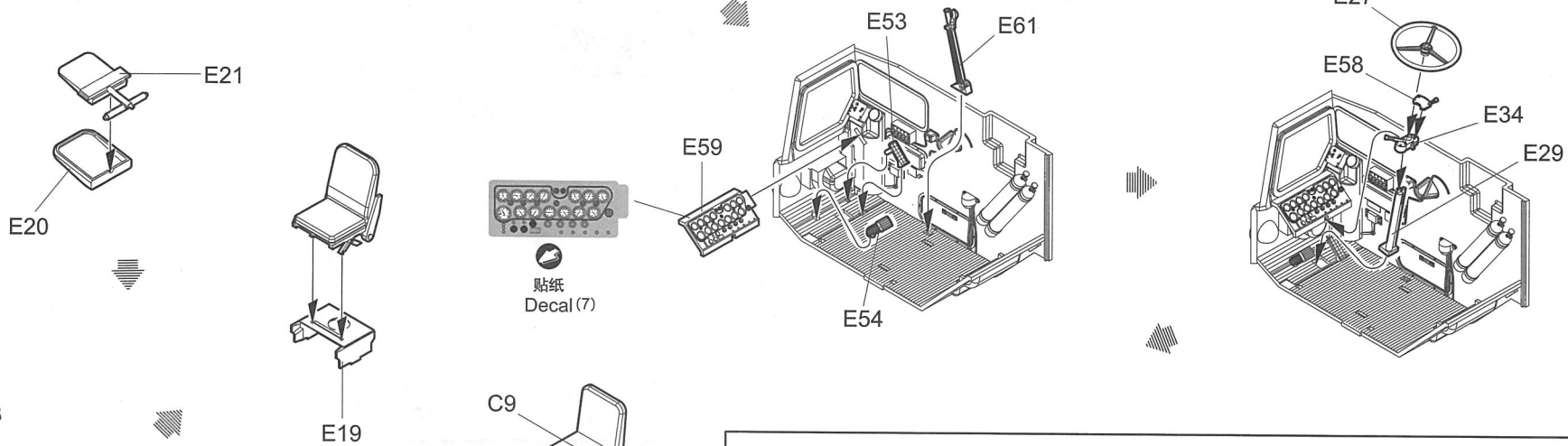
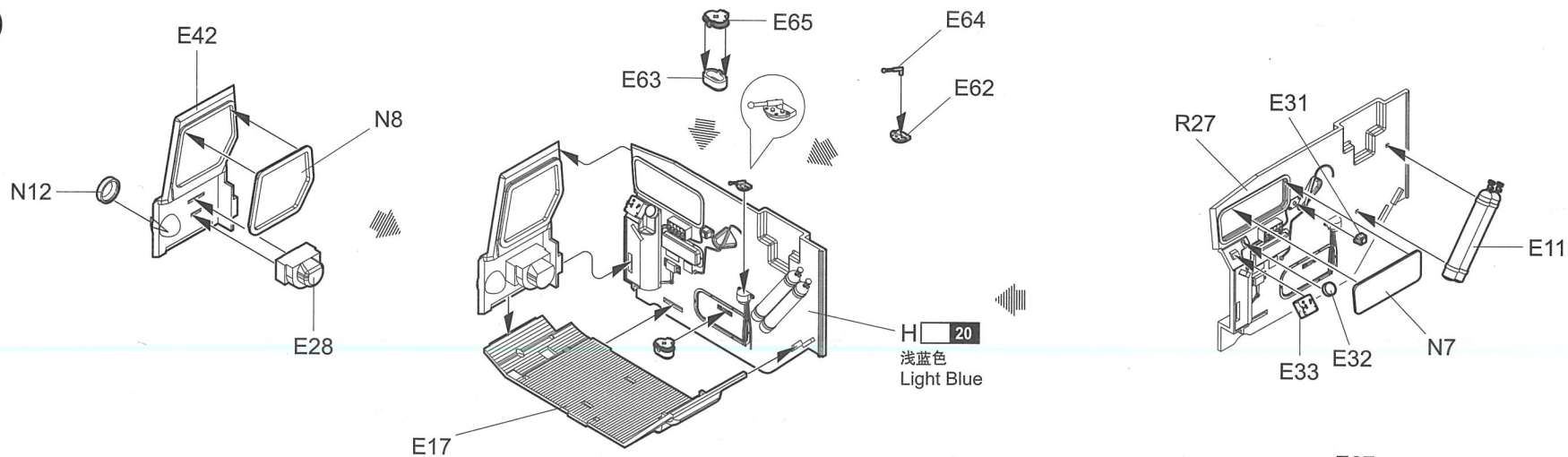
J25

《C-C》

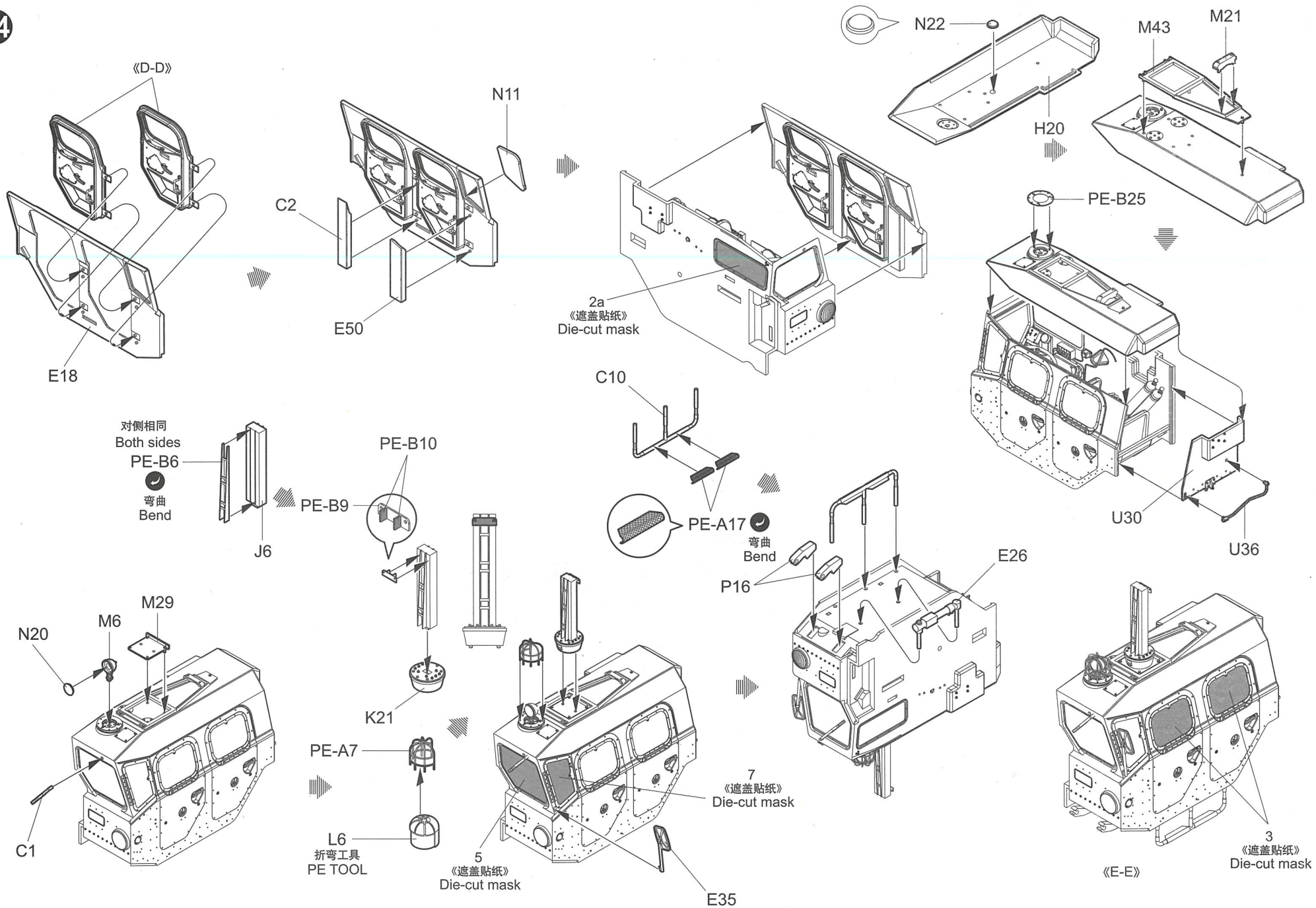
A44

J28

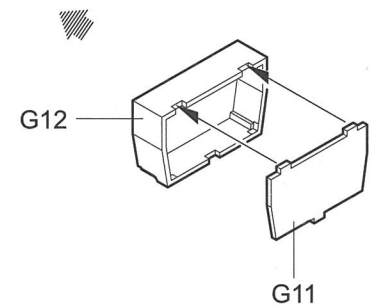
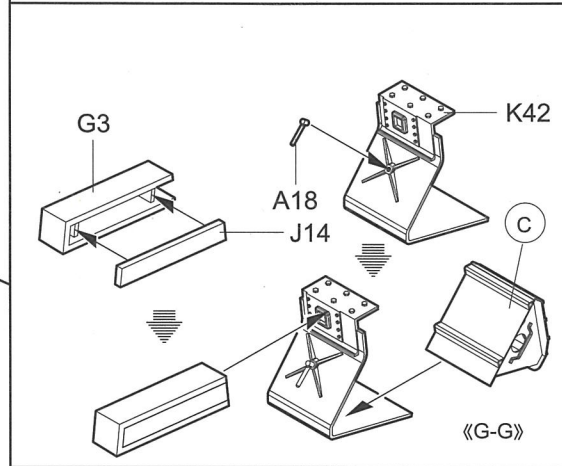
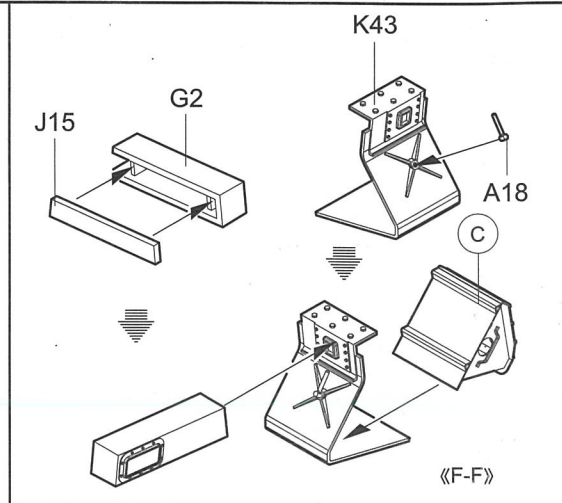
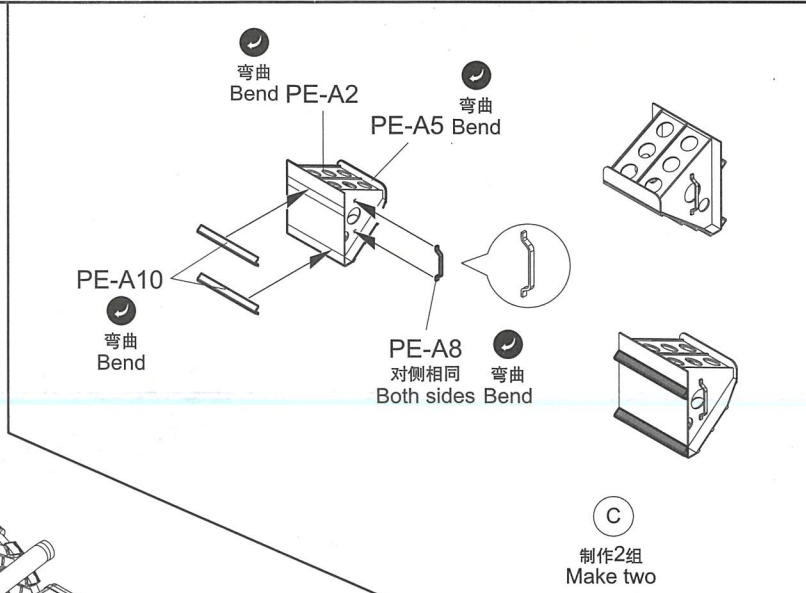
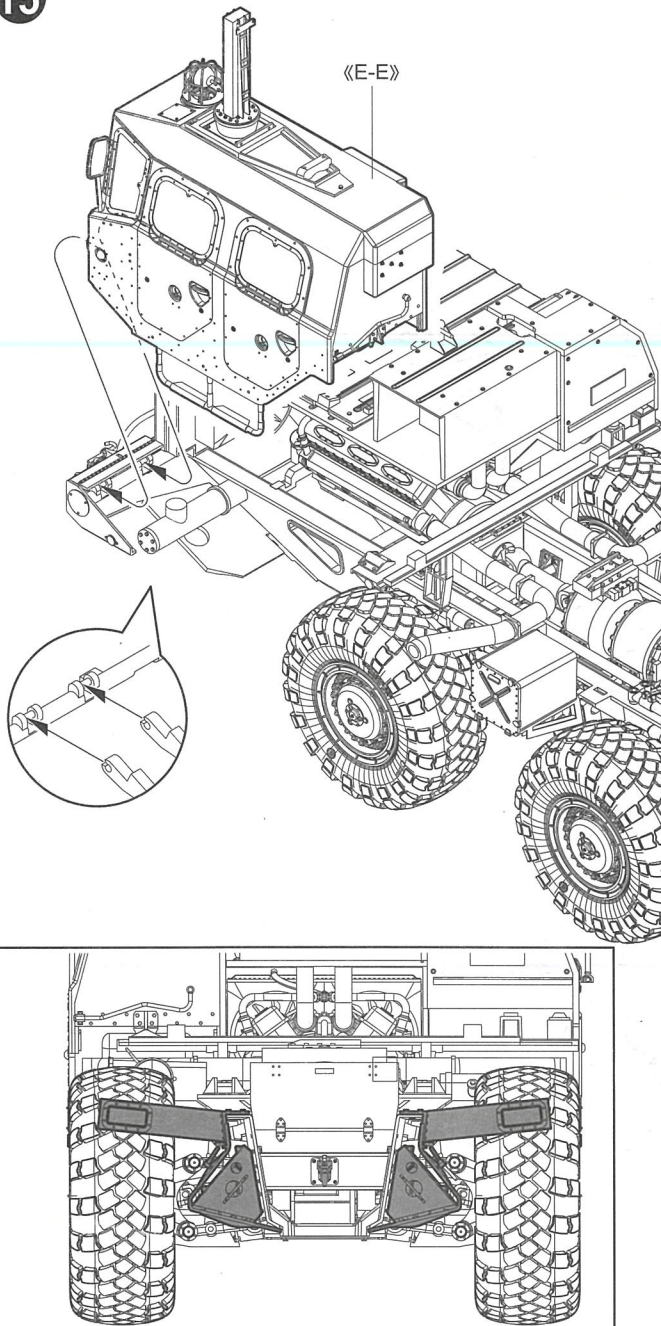
13





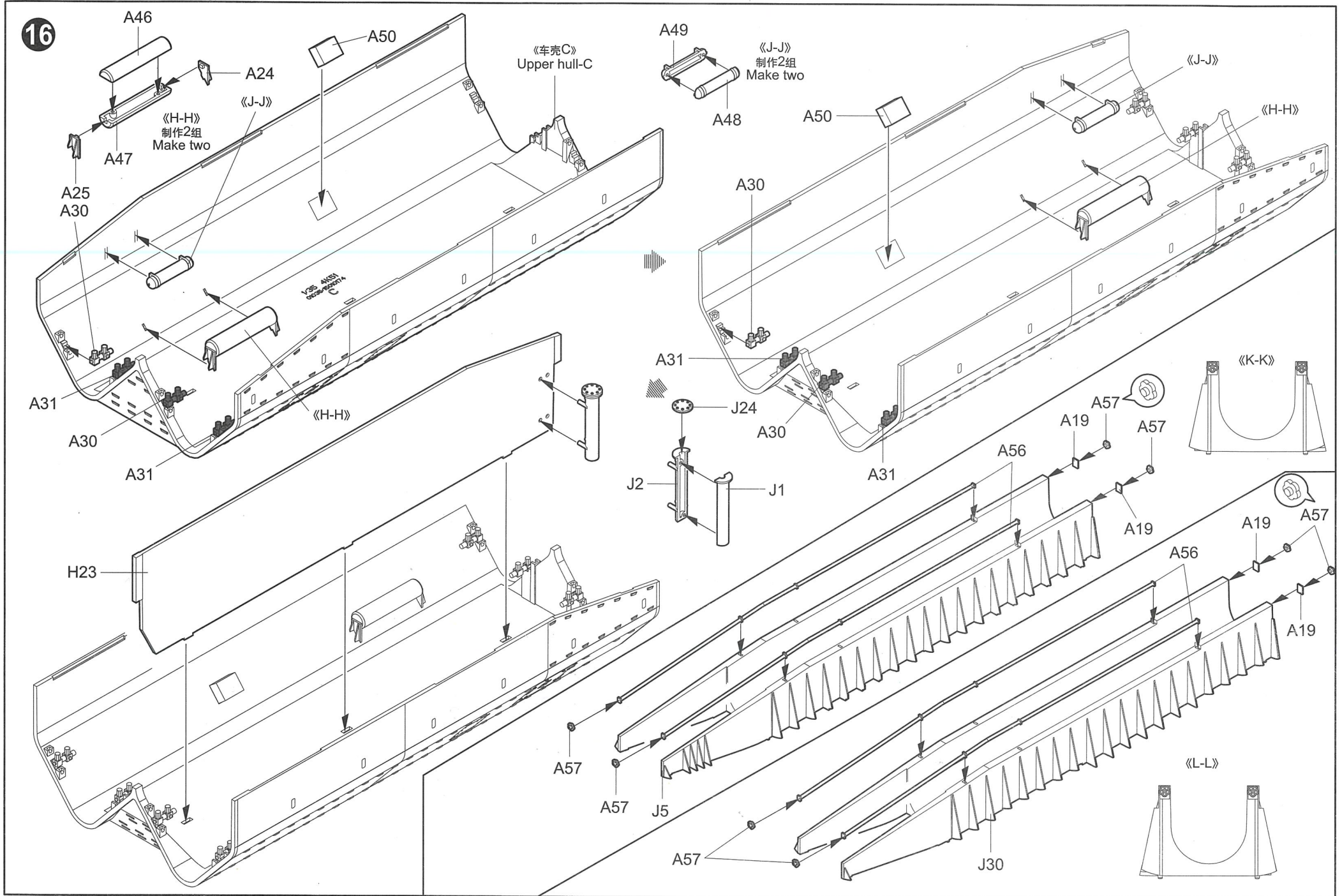


15



«F-F»  
对侧 «G-G»  
Opposite

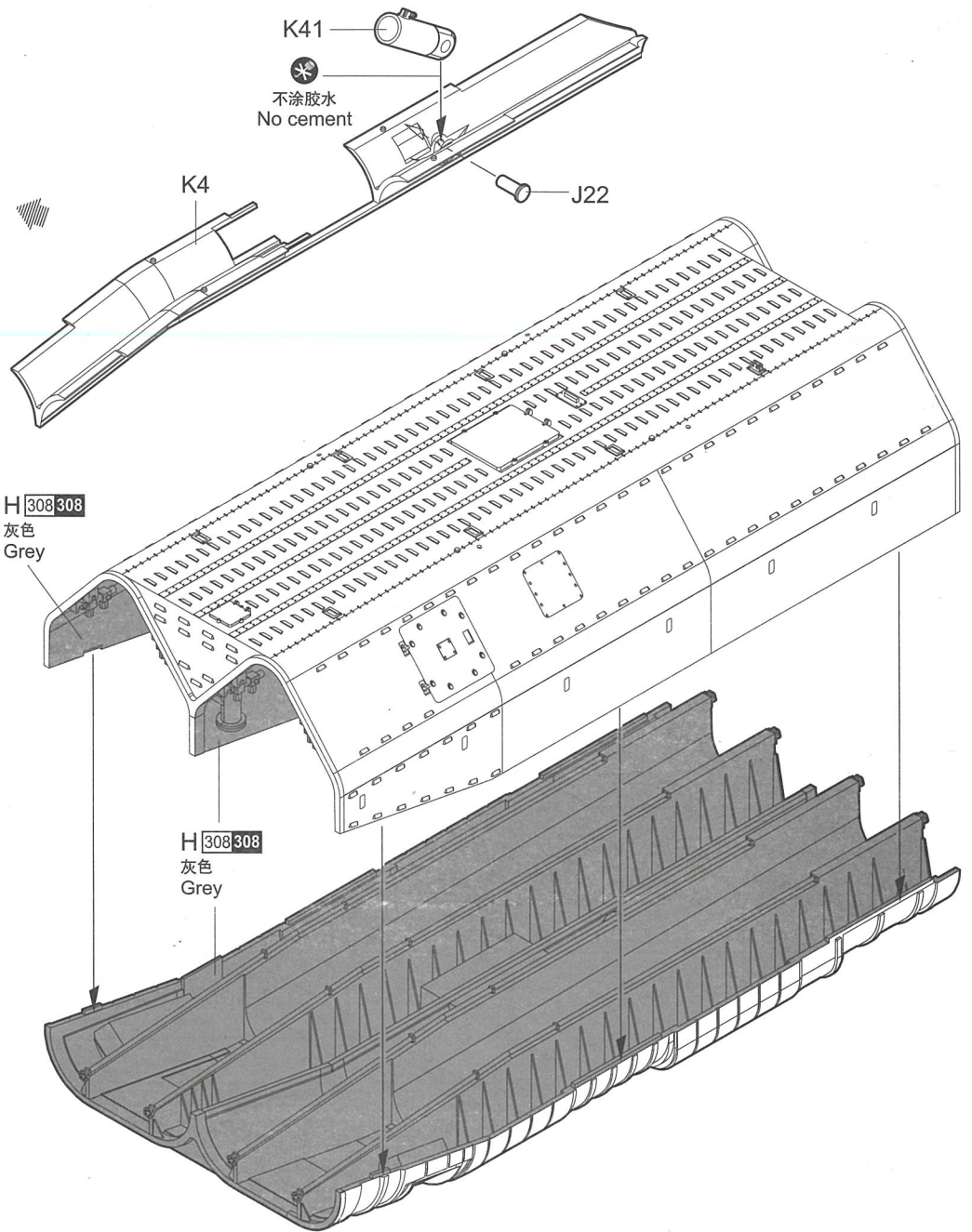
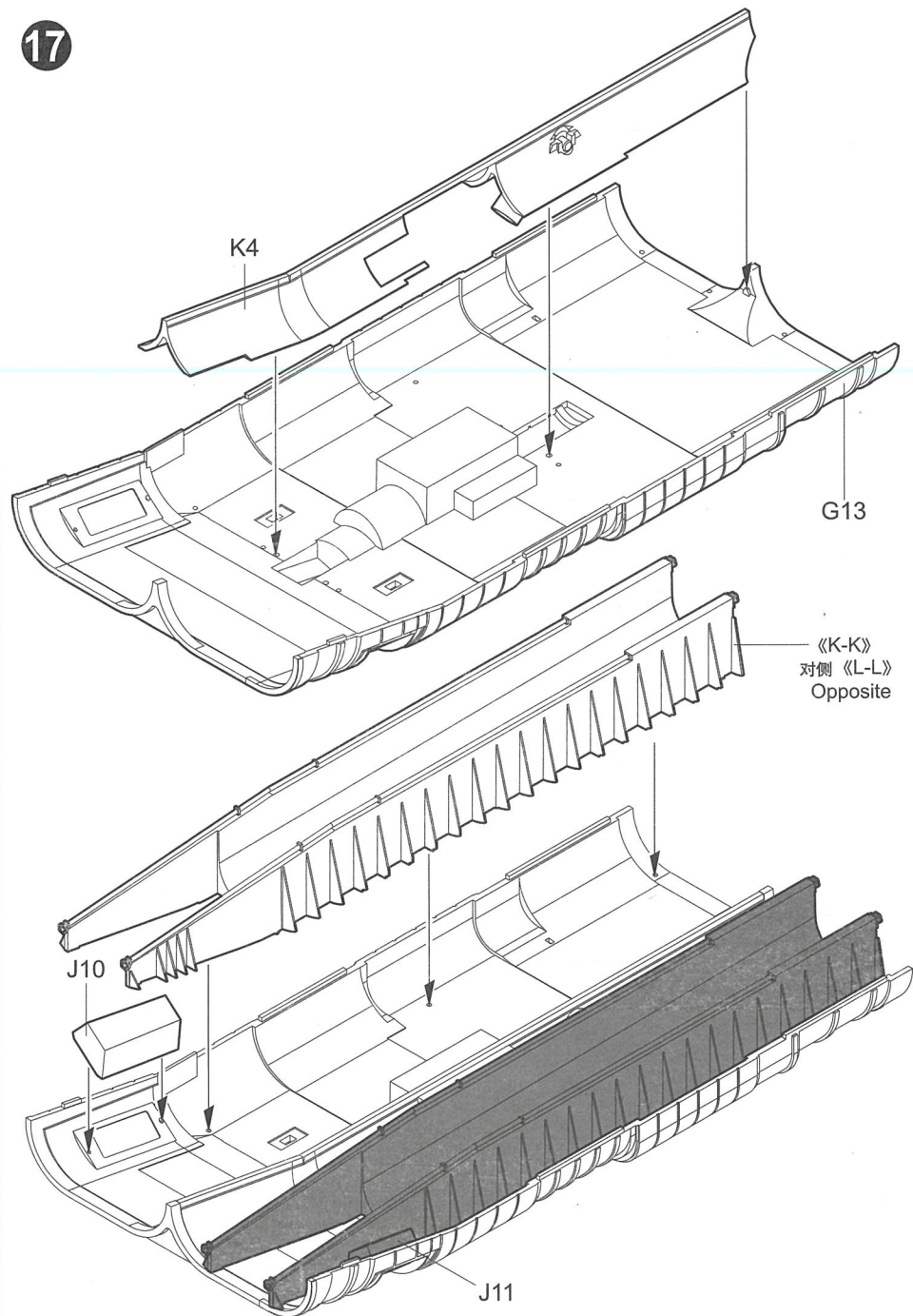
16

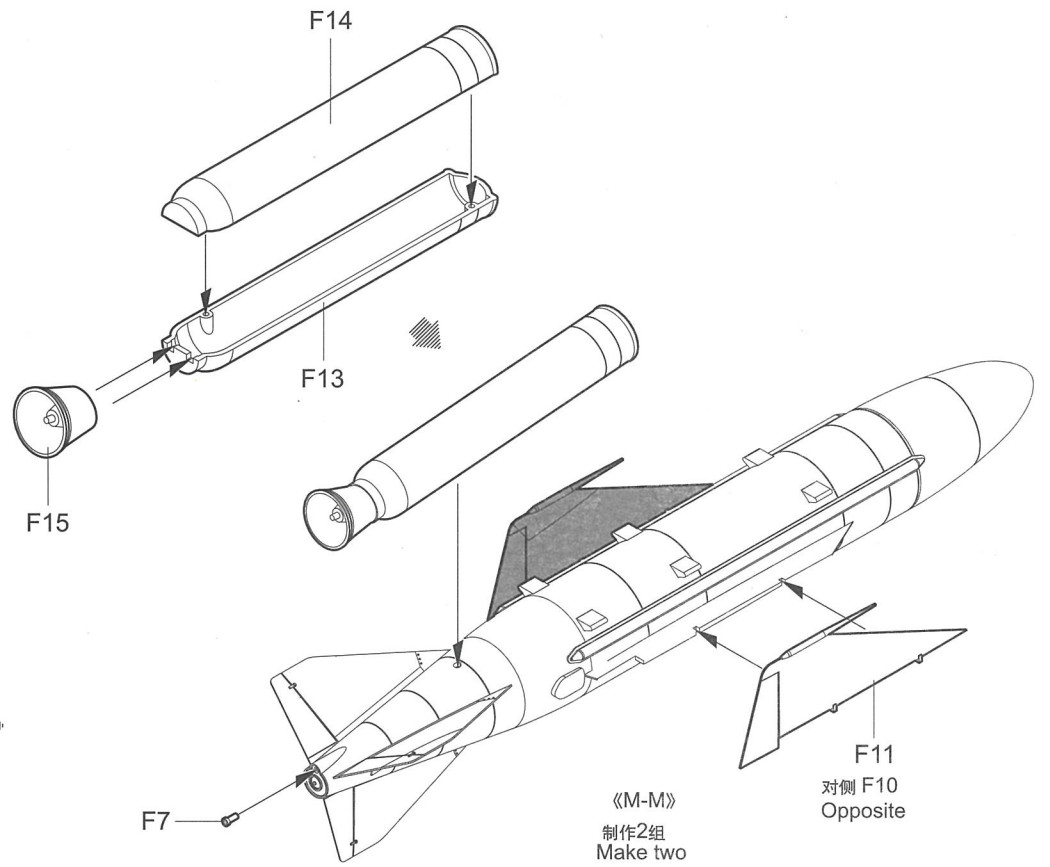
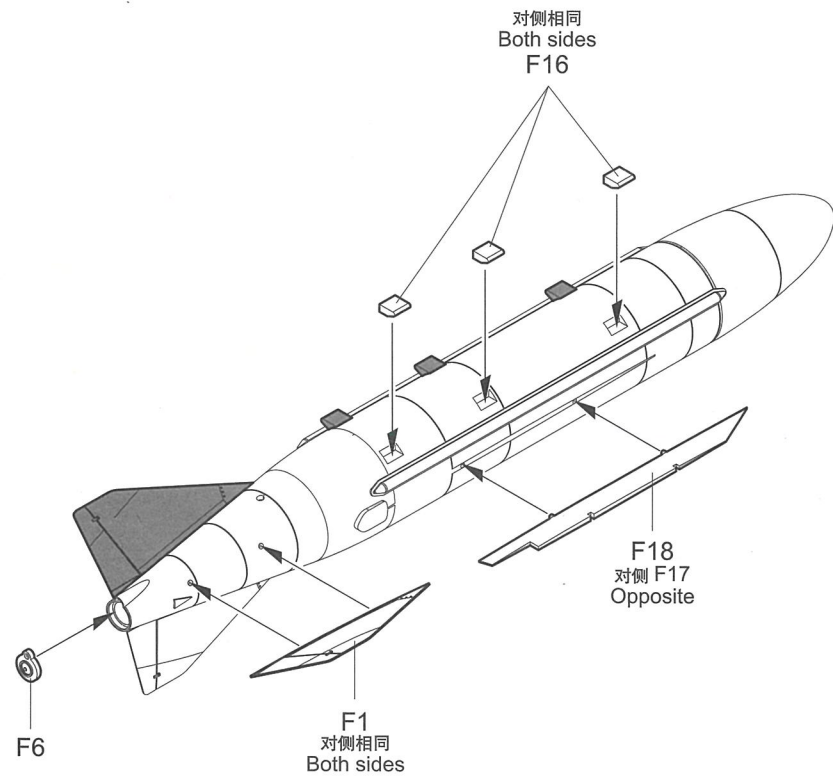
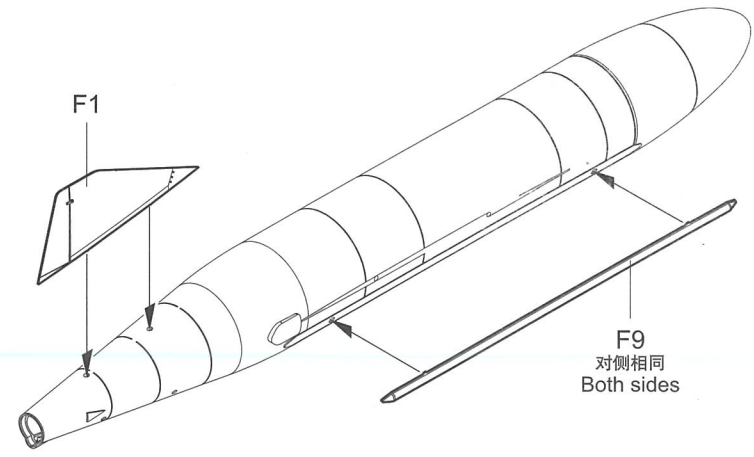
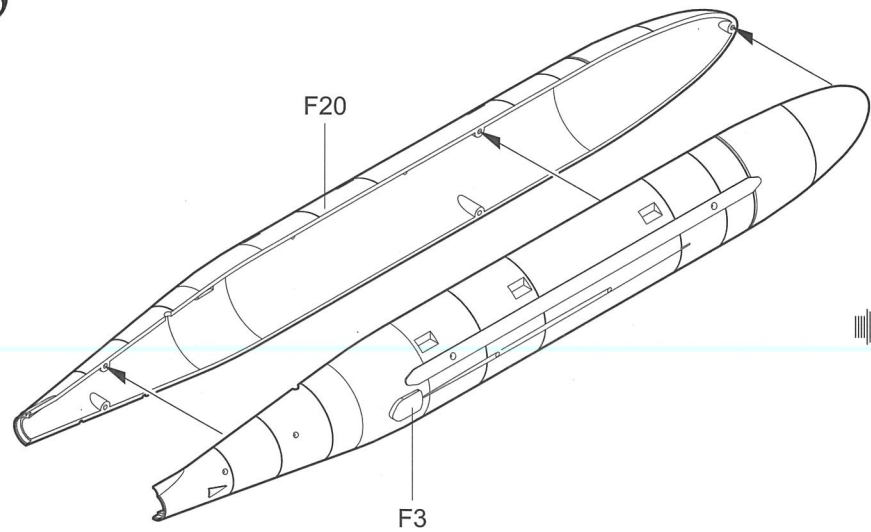


01035

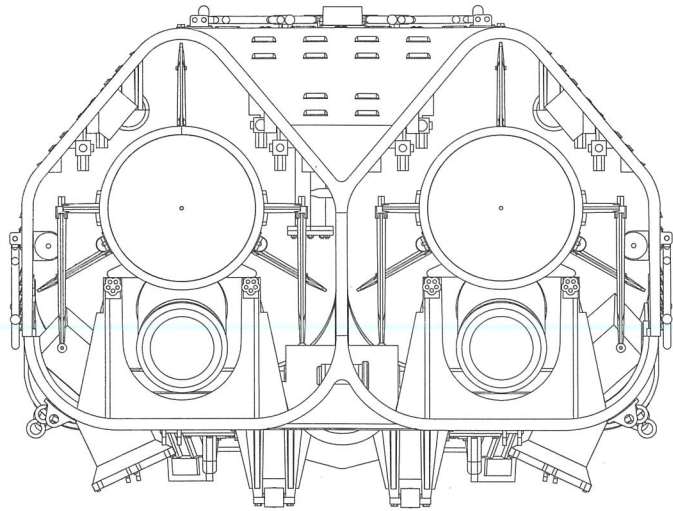
19

17

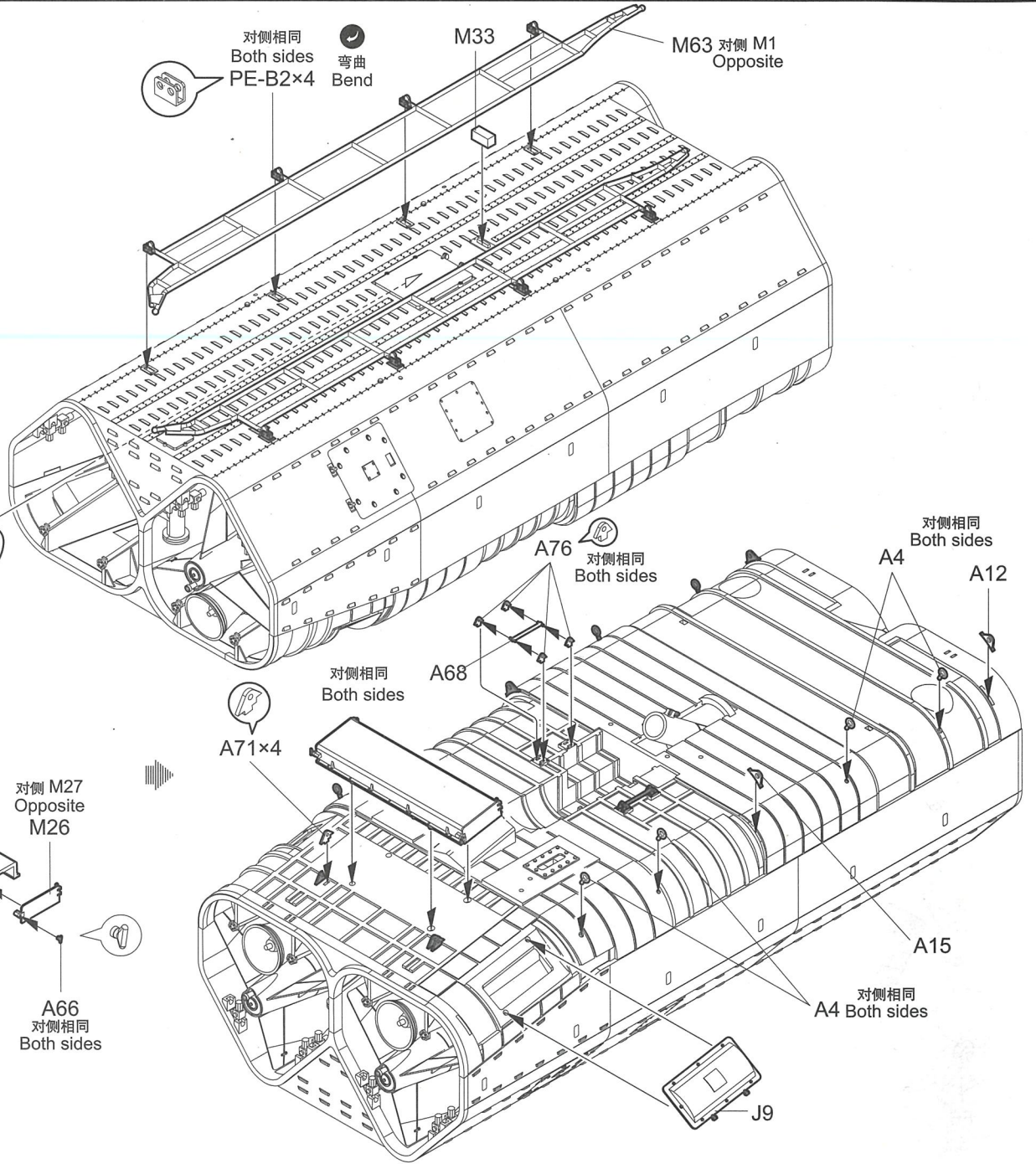




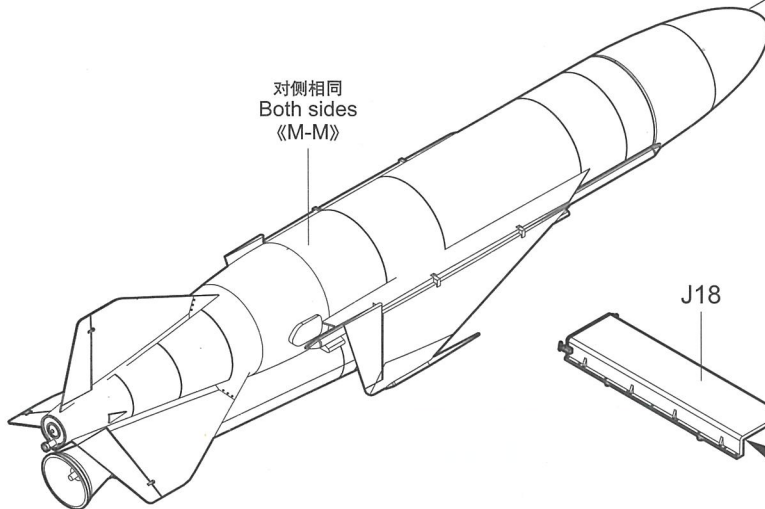
19



对侧相同 Both sides PE-B2×4  
 弯曲 Bend  
 M33  
 M63 对侧 M1 Opposite



对侧相同 Both sides «M-M»



J18

对侧 M27 Opposite M26

对侧相同 Both sides A68

A71×4

对侧相同 Both sides A76

对侧相同 Both sides A4

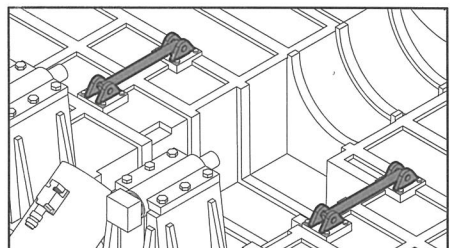
A12

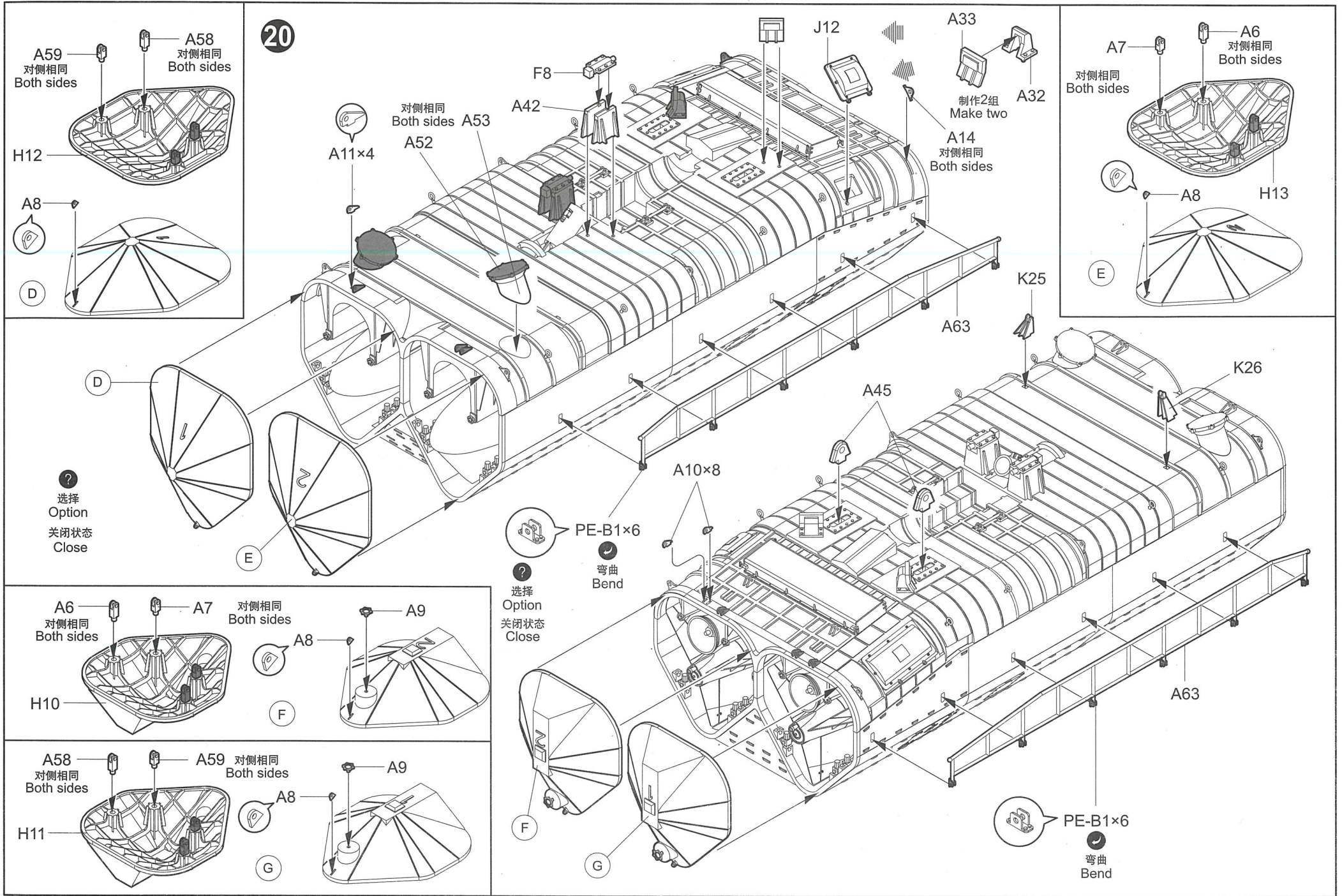
A66 对侧相同 Both sides

A15

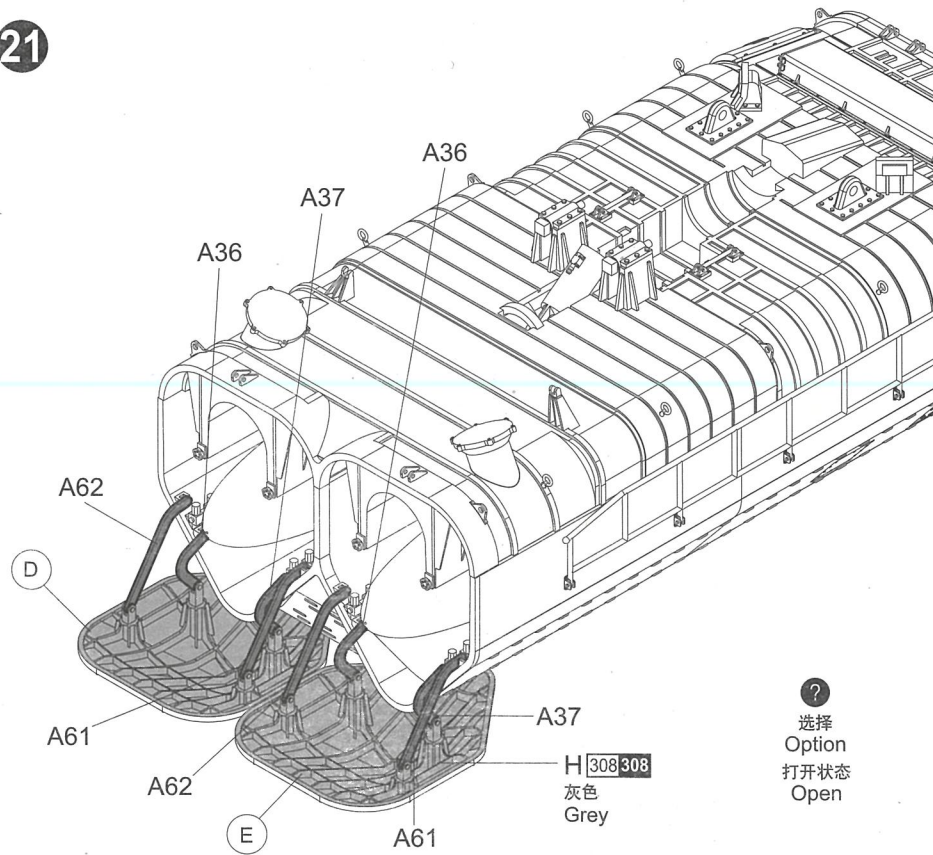
对侧相同 A4 Both sides

J9

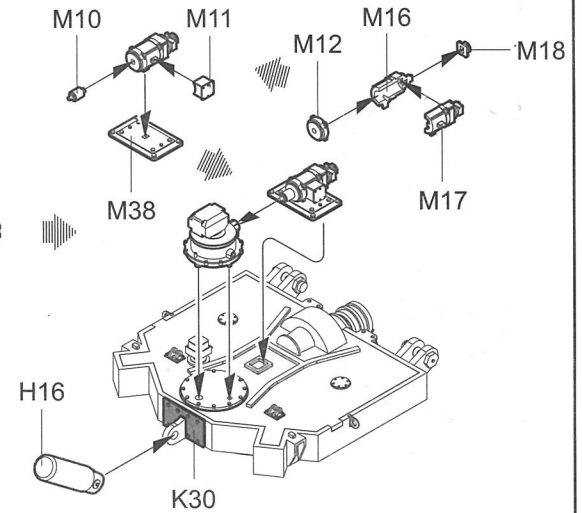
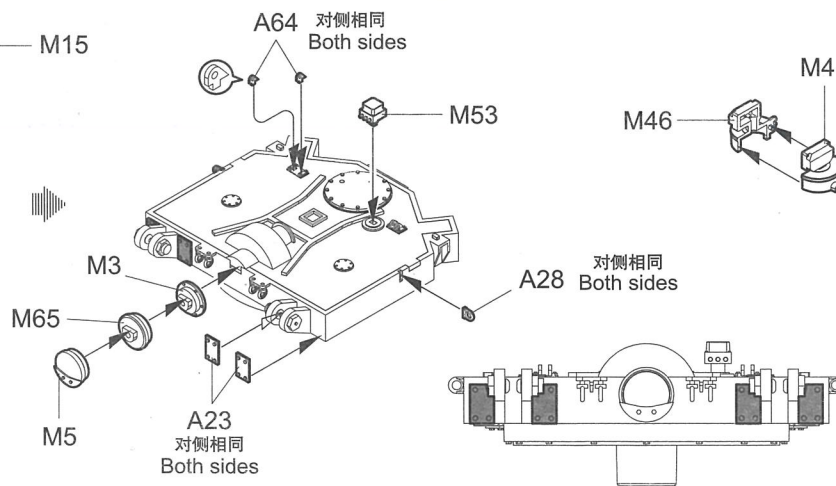
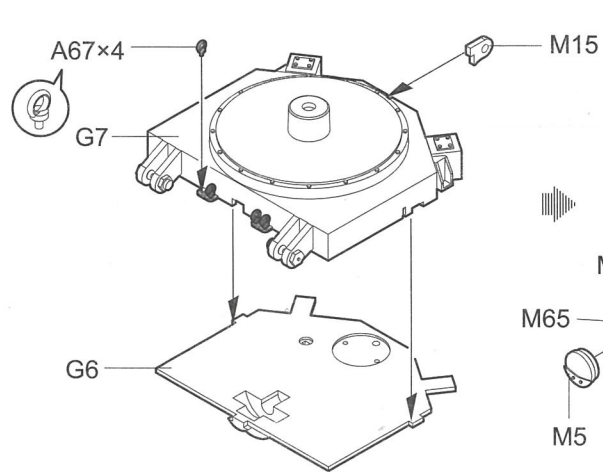
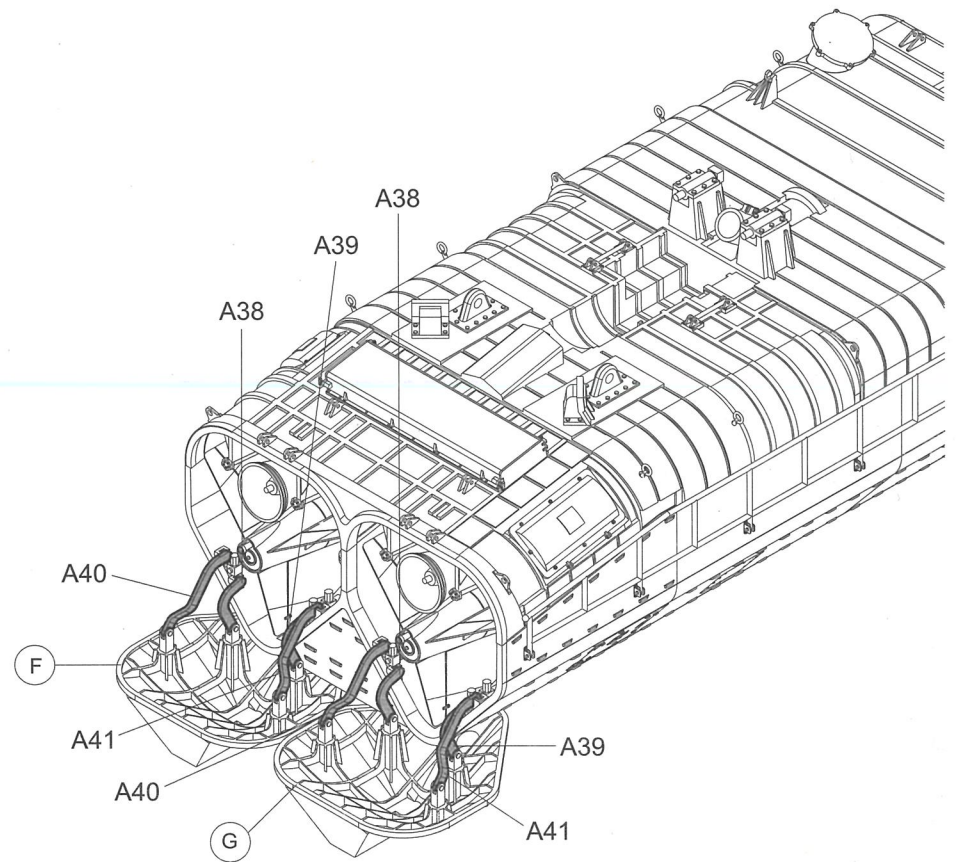




21

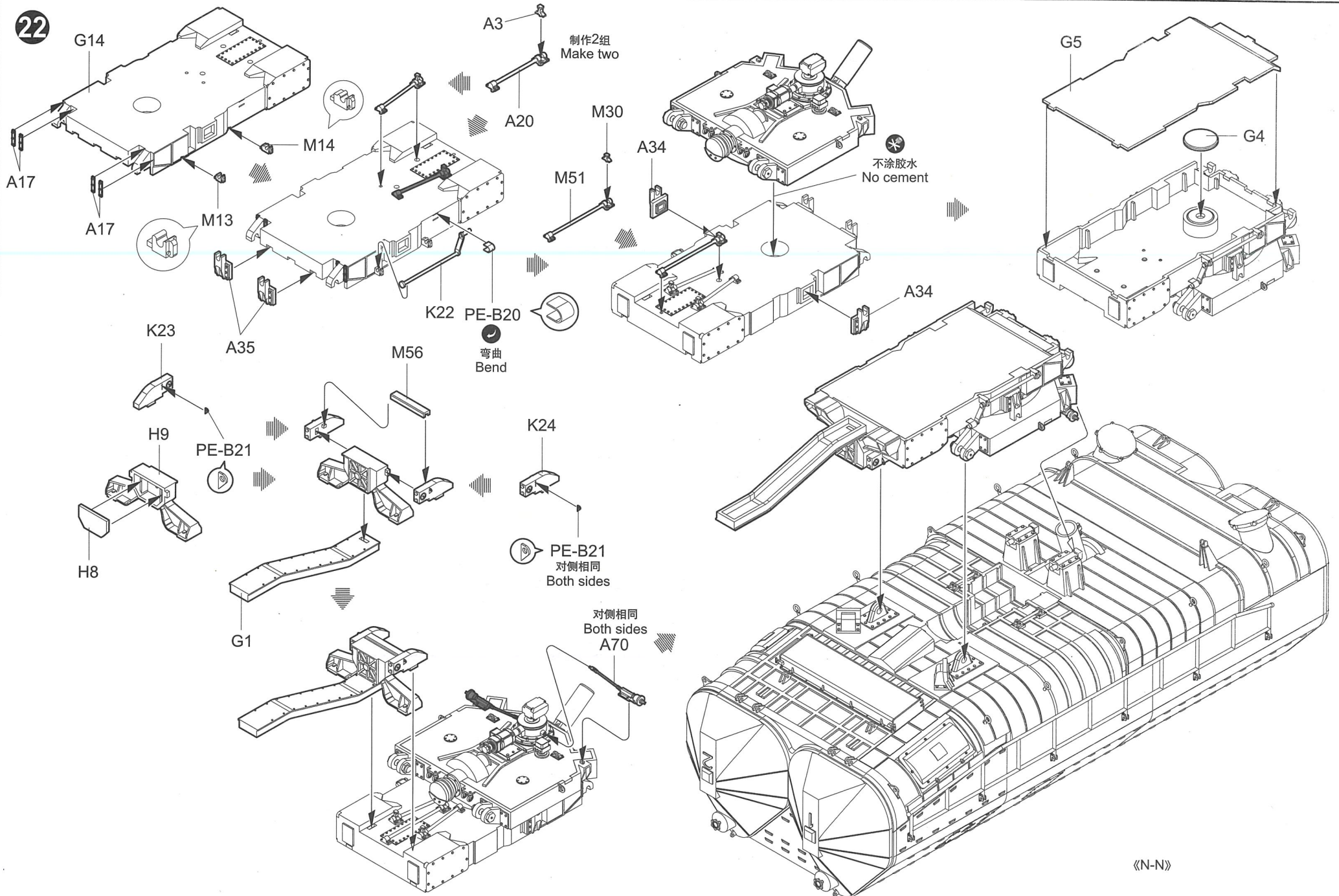


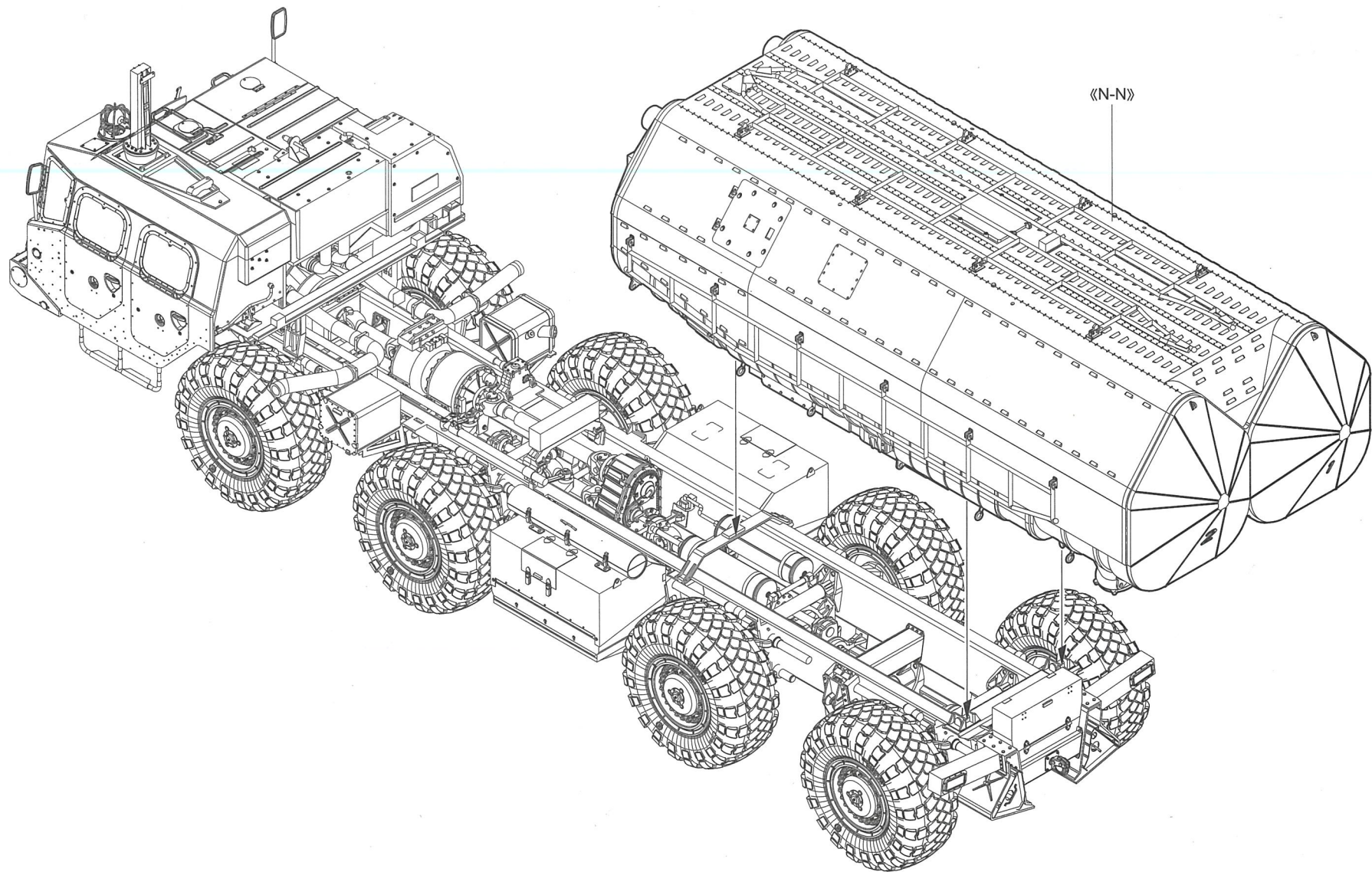
选择  
Option  
打开状态  
Open

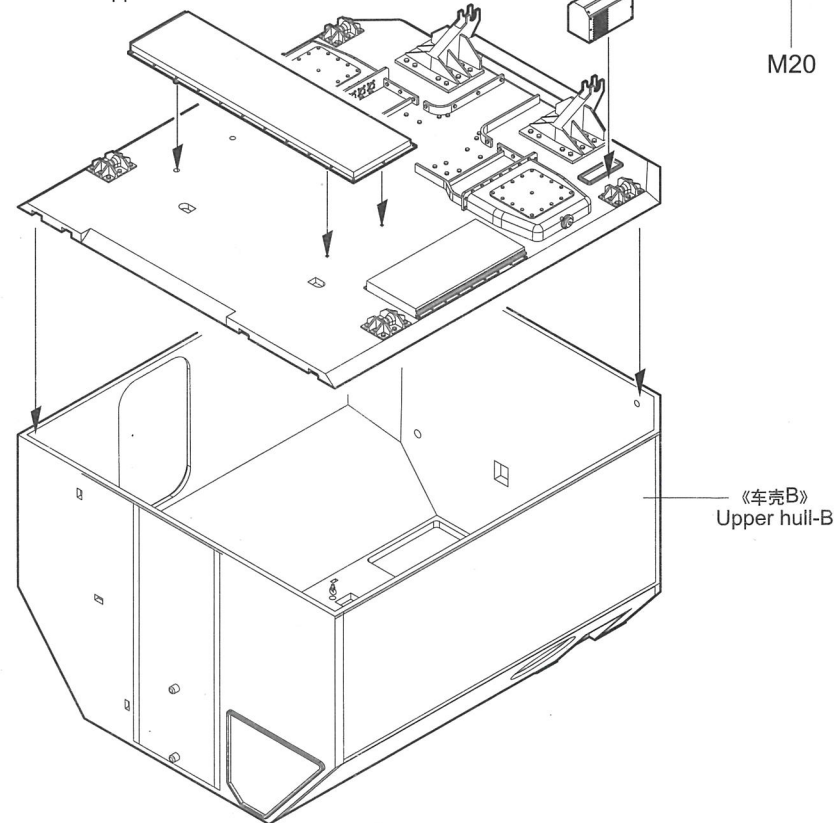
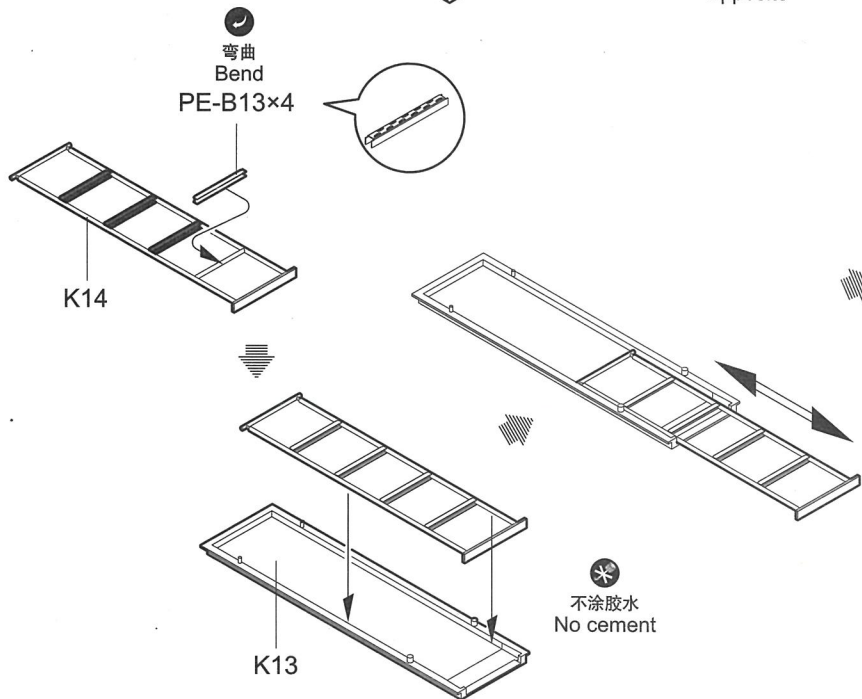
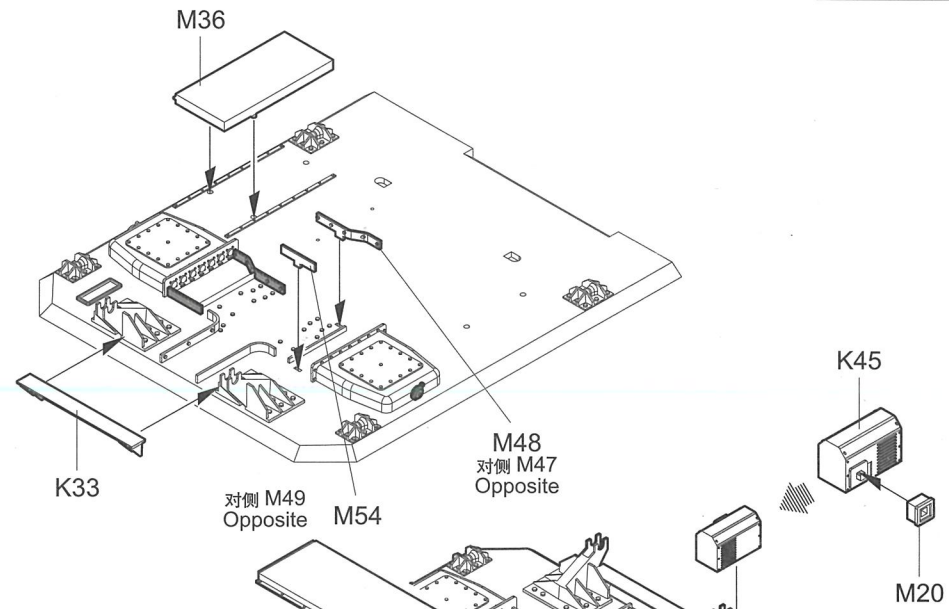
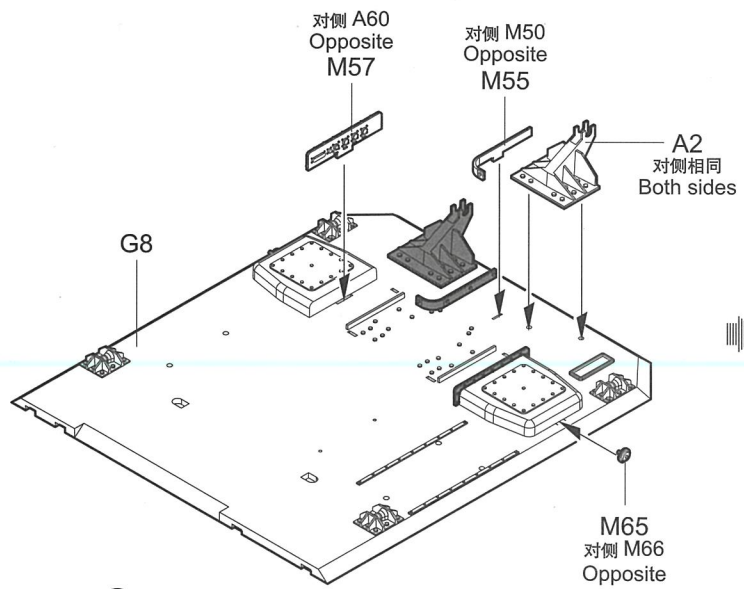




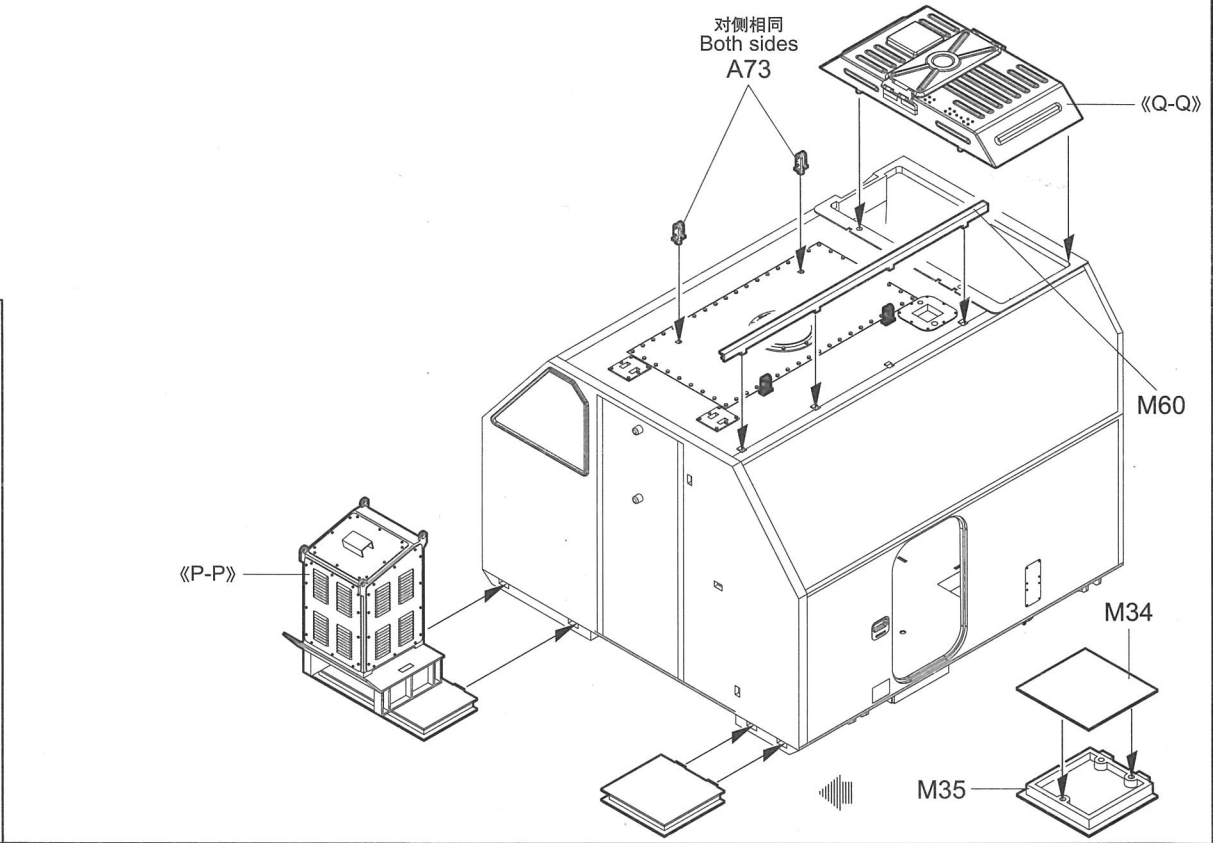
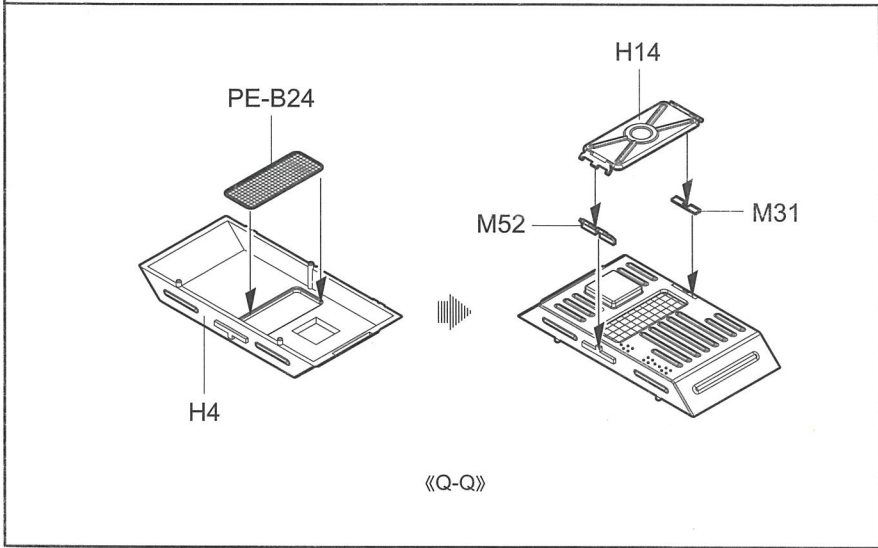
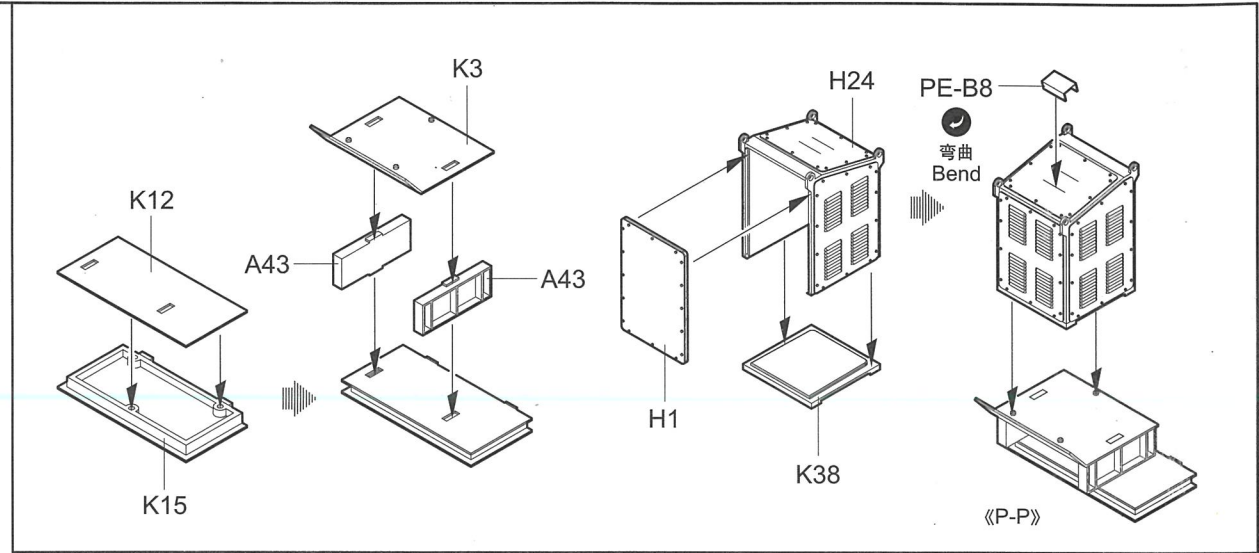
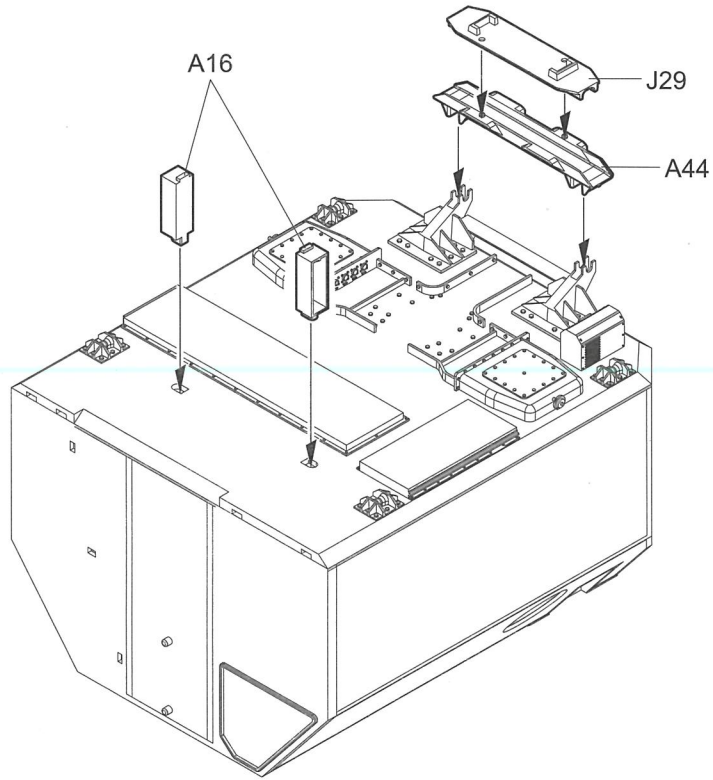
22



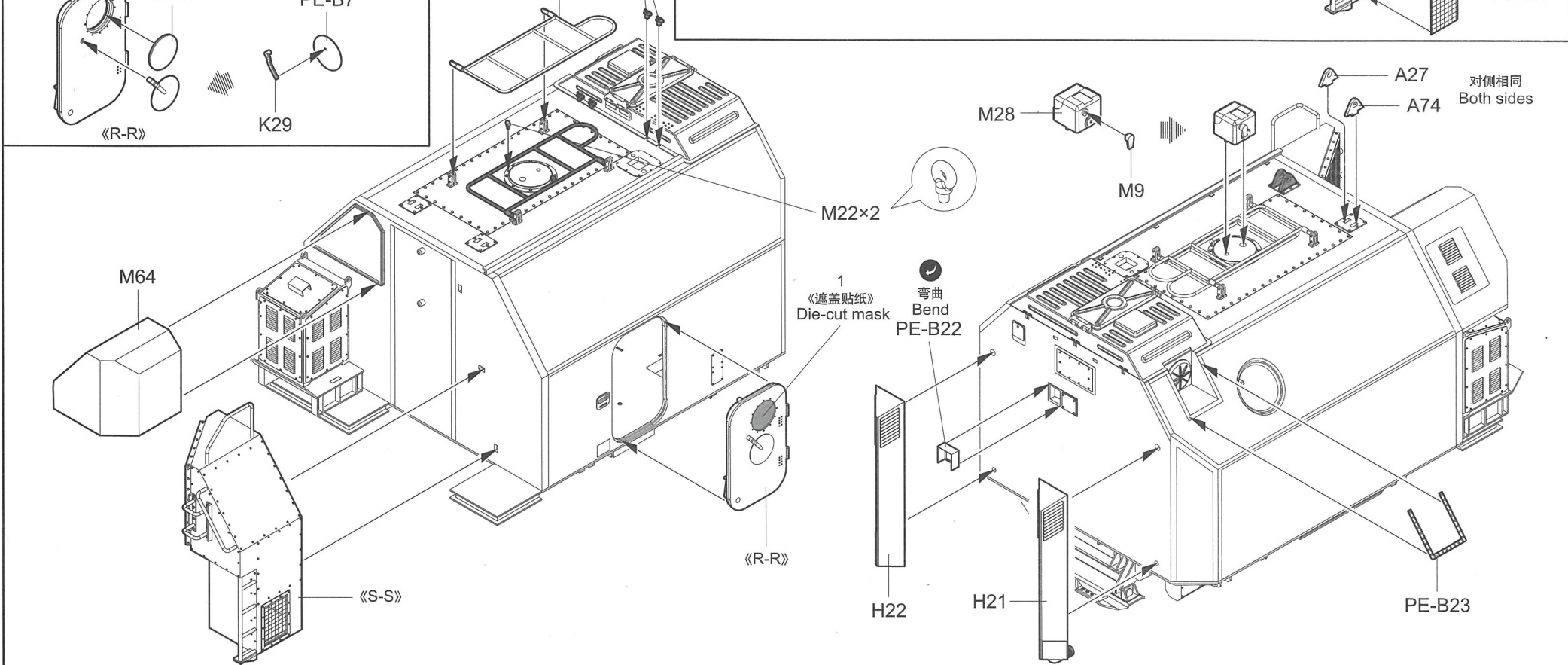
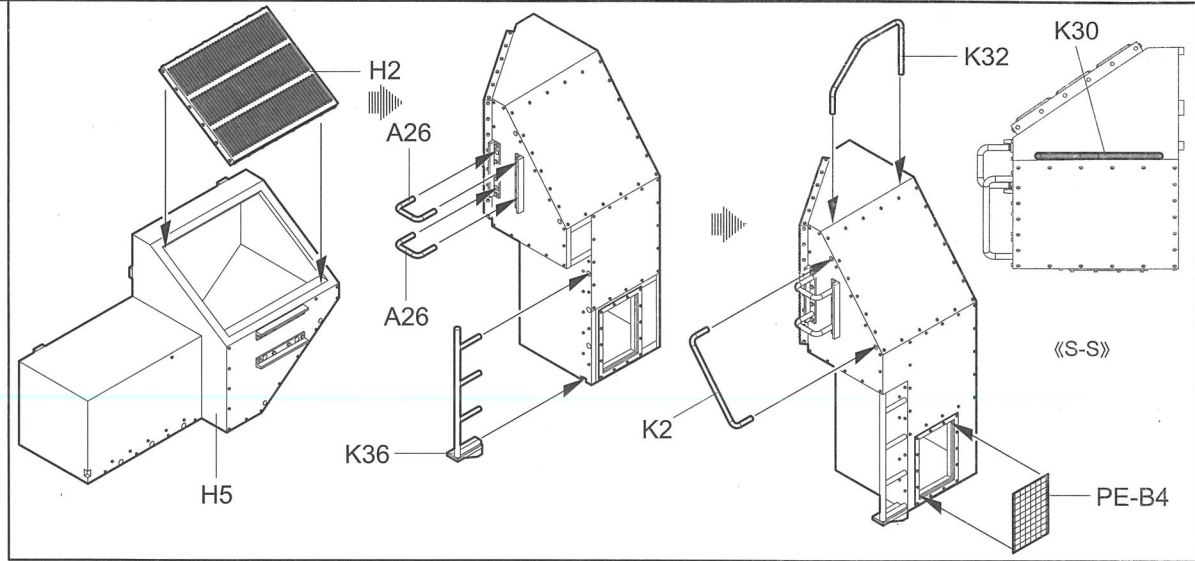
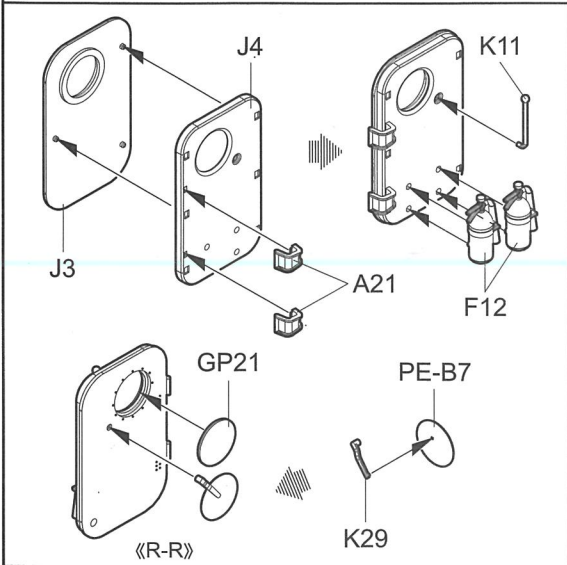




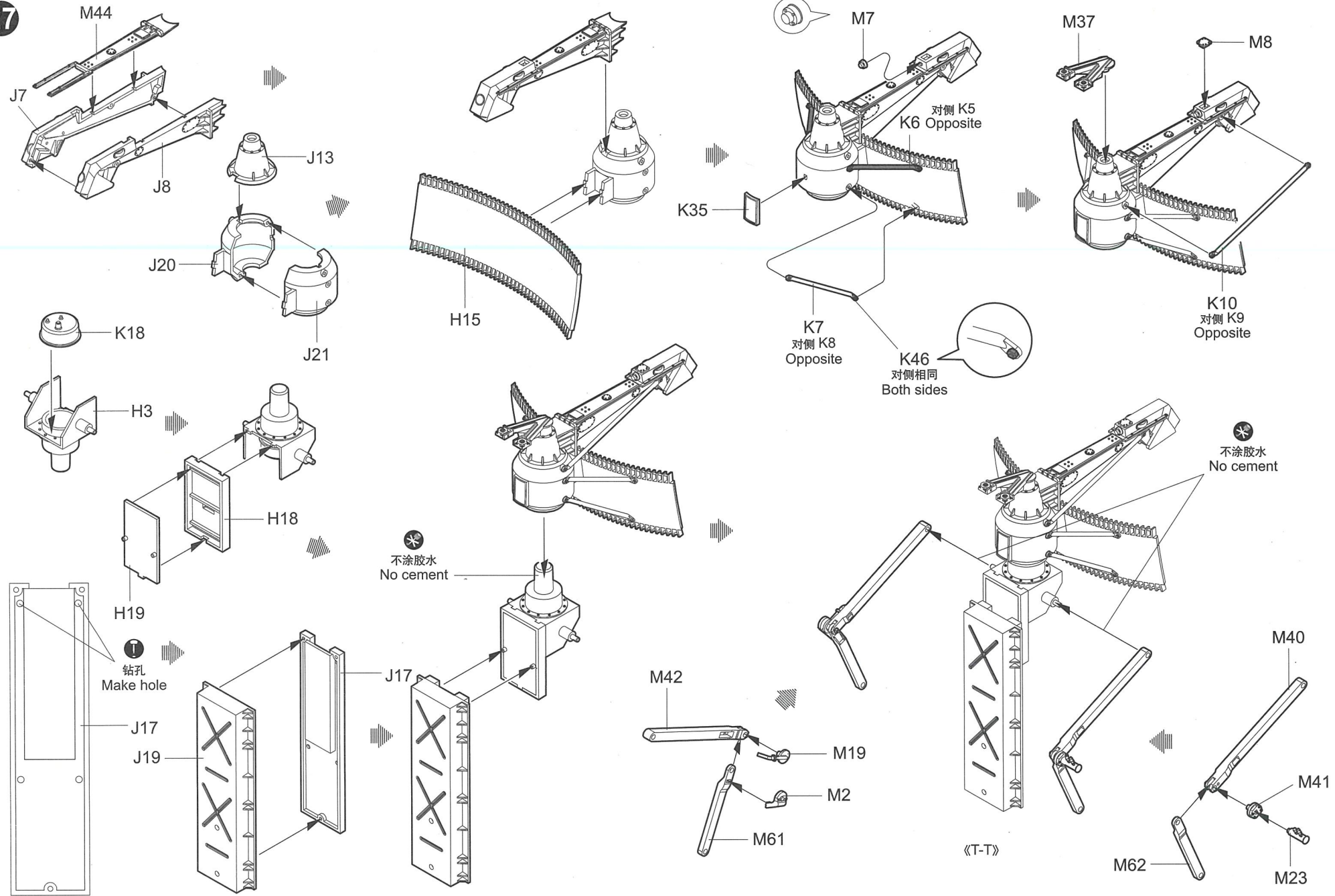
25

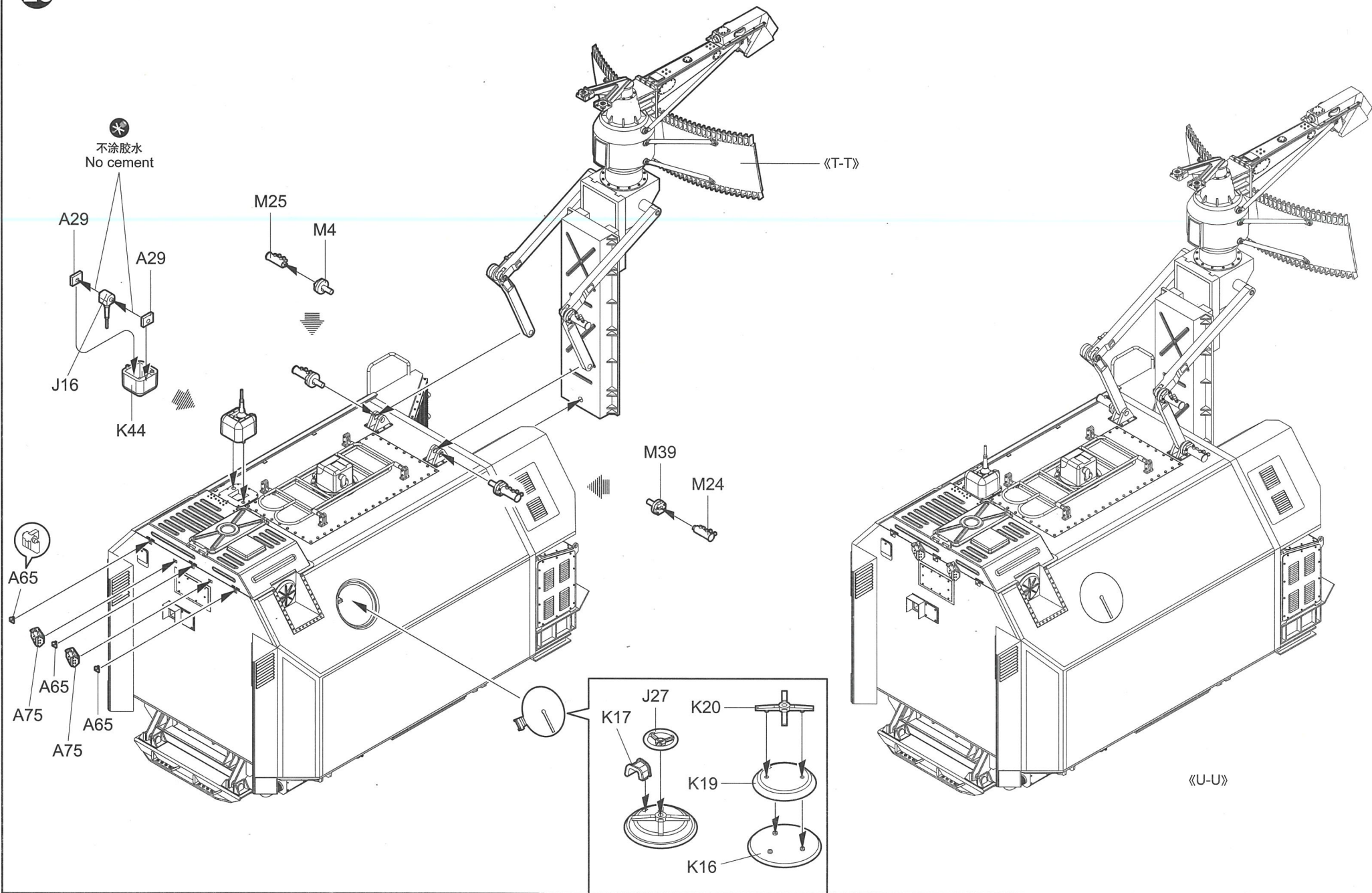


26

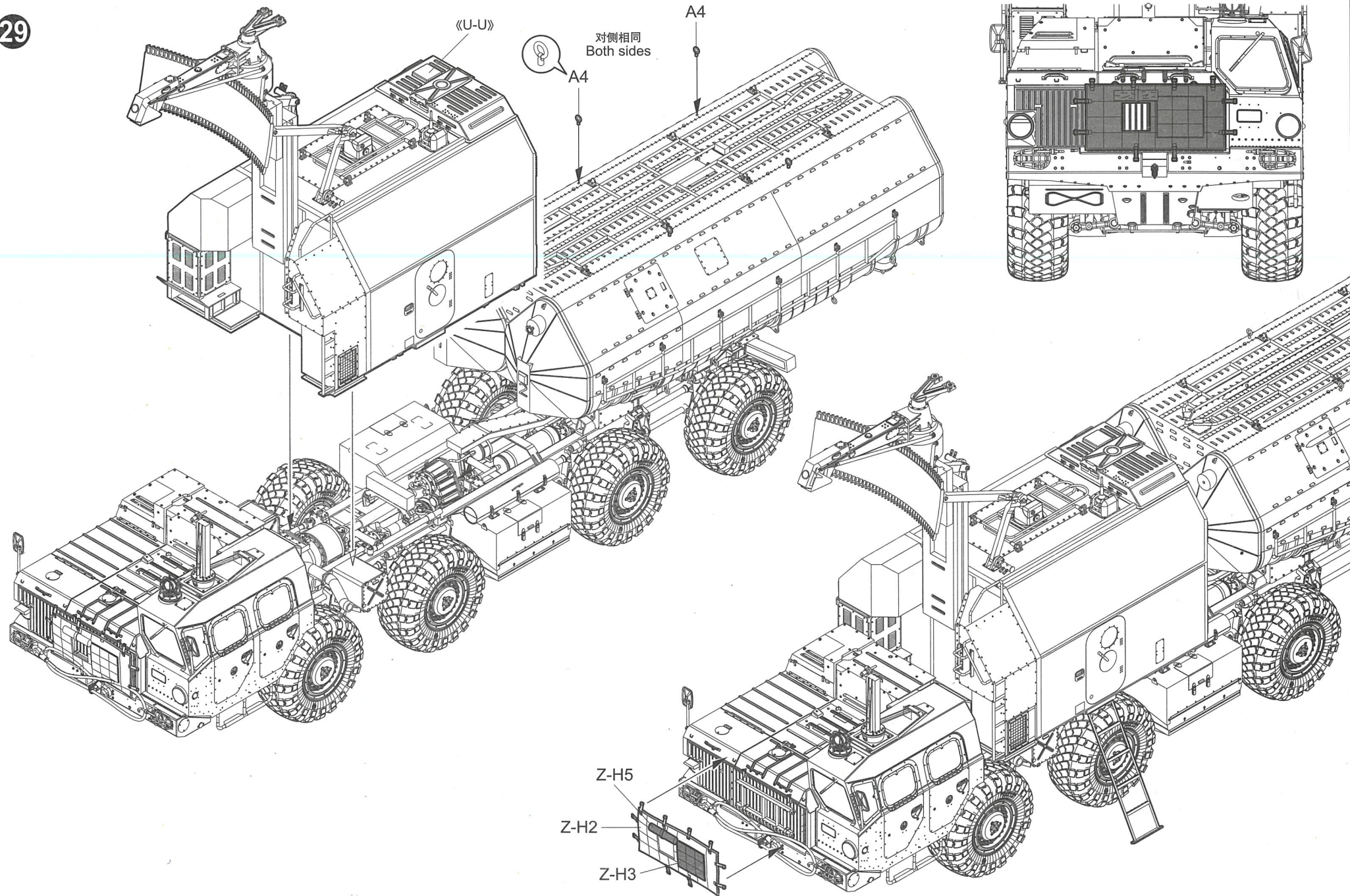


27





29



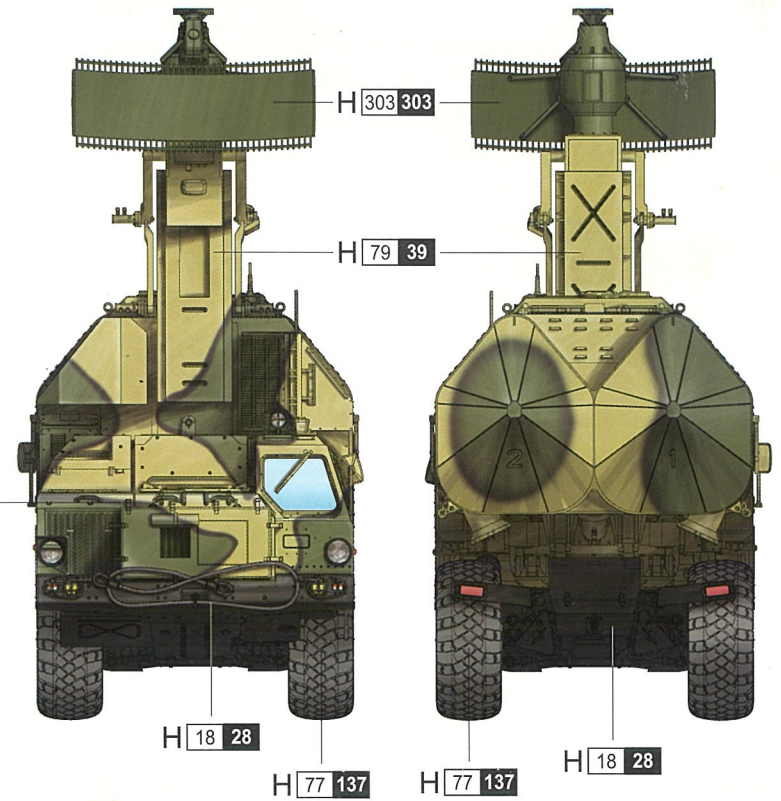
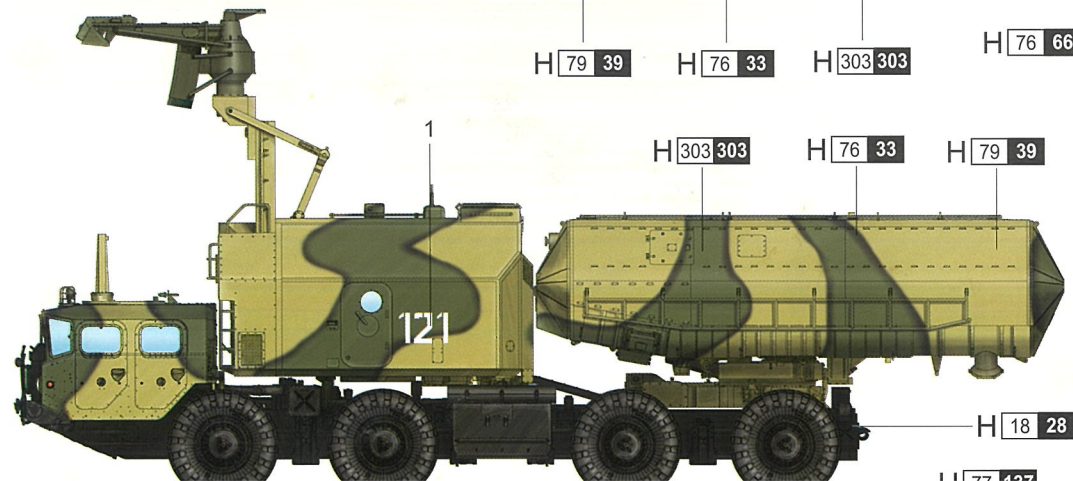
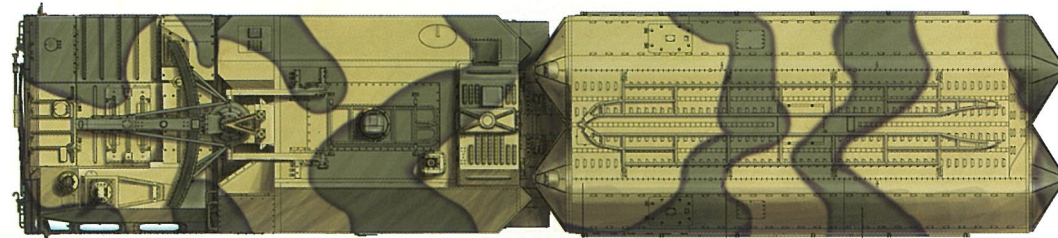
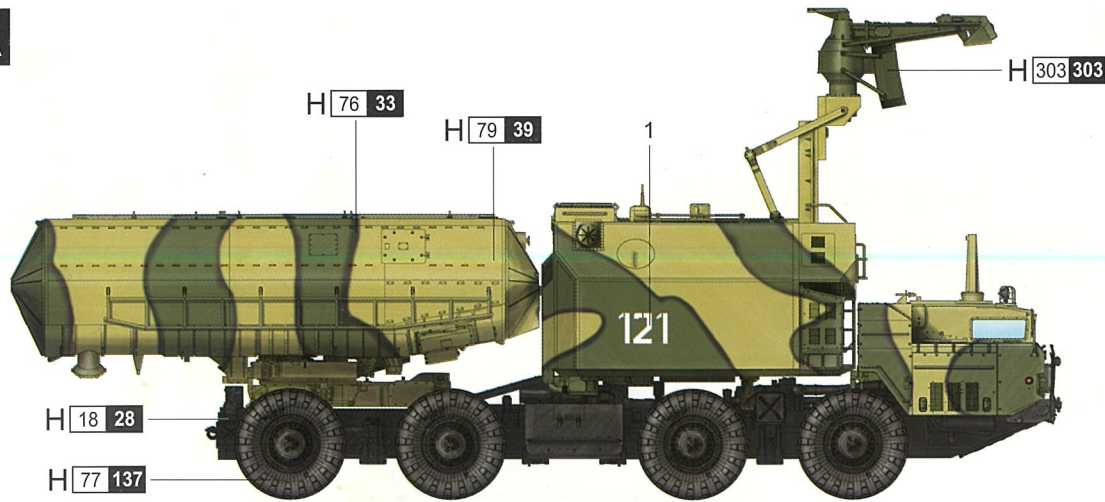


# 余装同标贴指示 Painting & Marking guide

## PAINT REFERENCE COLOUR

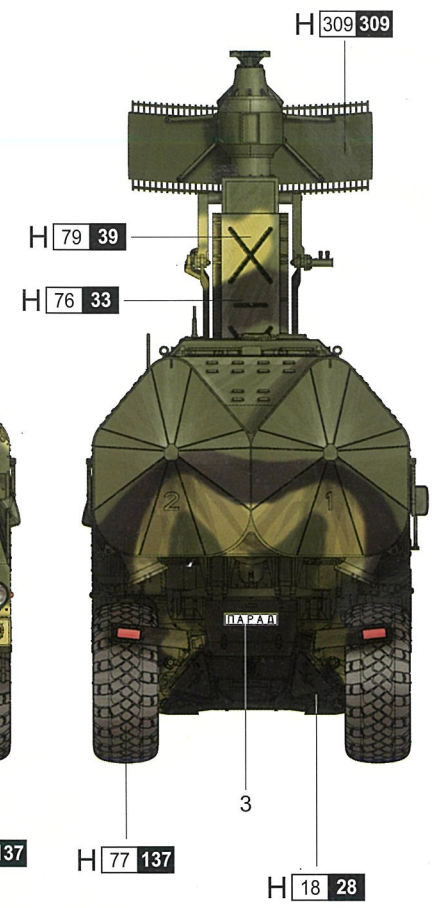
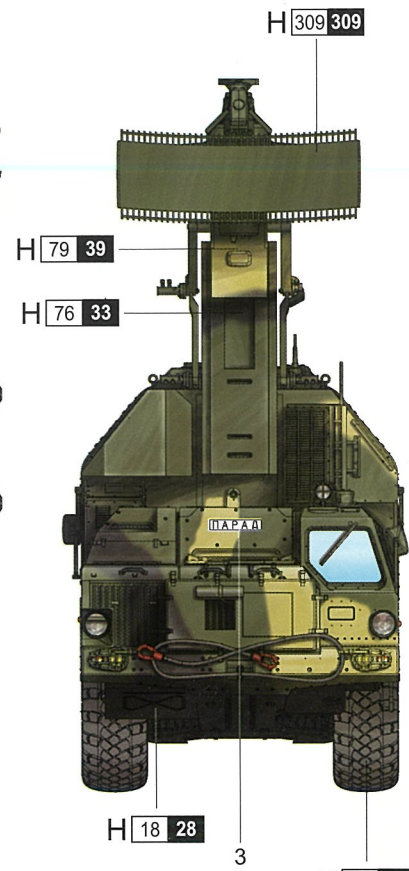
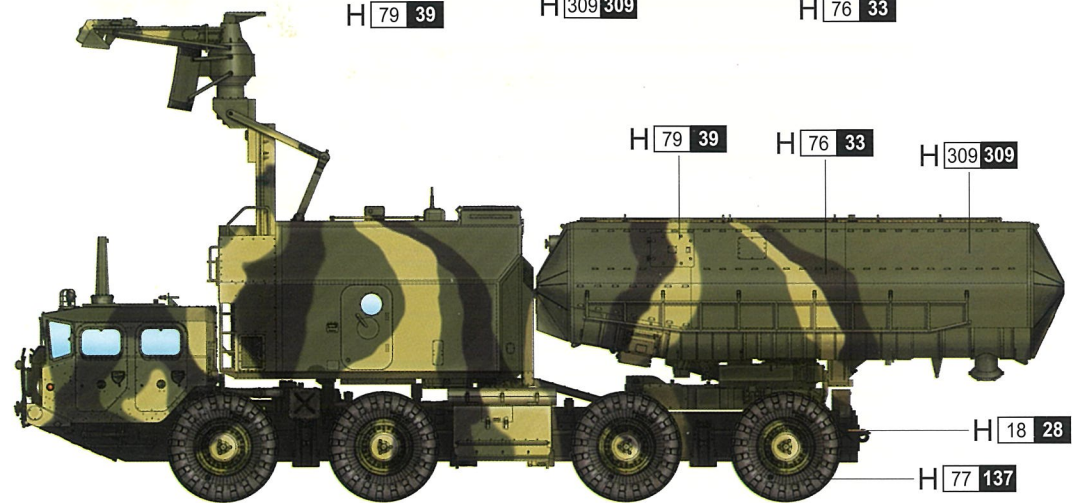
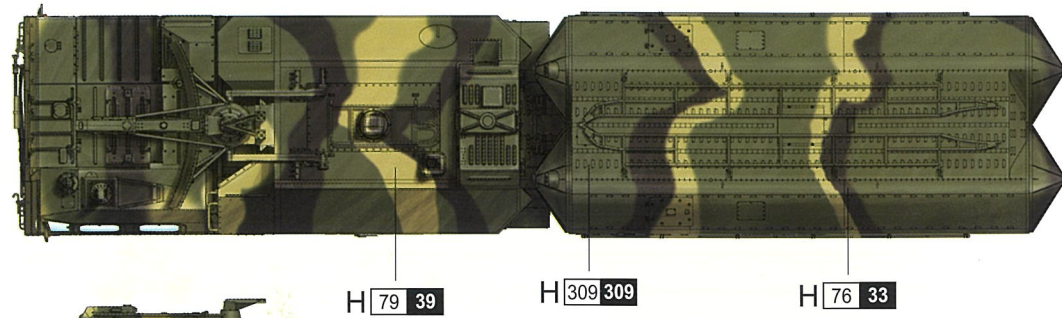
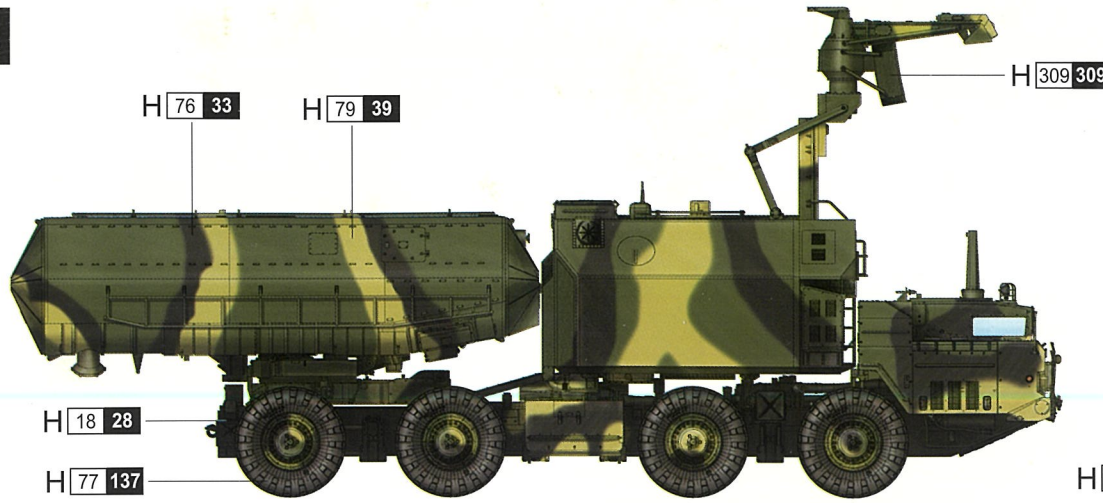
Color	Mr.Hobby	Vallejo	Model Master	Tamiya	Humbrol
Steel 黑铁色	H 18 28	864	1402	-	-
Tire Black 胎黑色	H 77 137	-	-	-	-
Light Green 绿色	H 303 303	-	1713	XF20	117
Flat Black 消光黑	H 76 33	950	1749	XF1	33
Sandy Brown 砂黄色	H 79 39	824	-	XF59	93

A



H 77 137

B



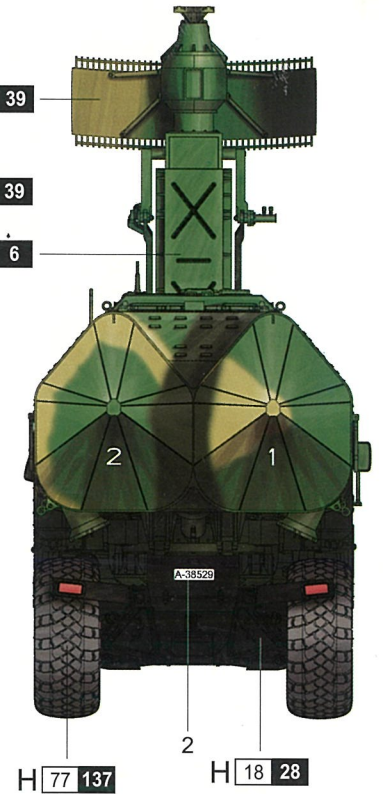
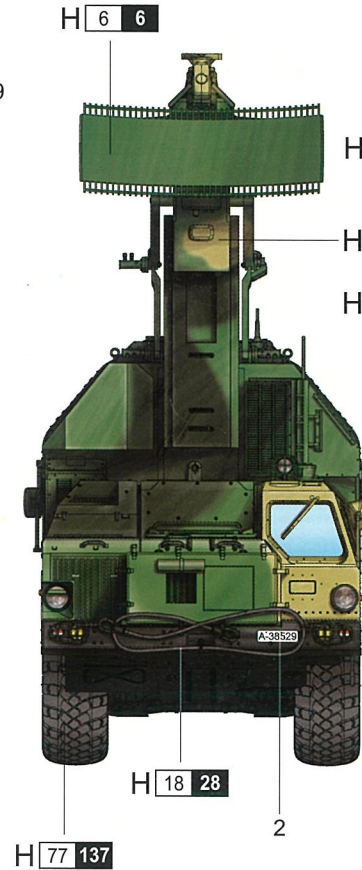
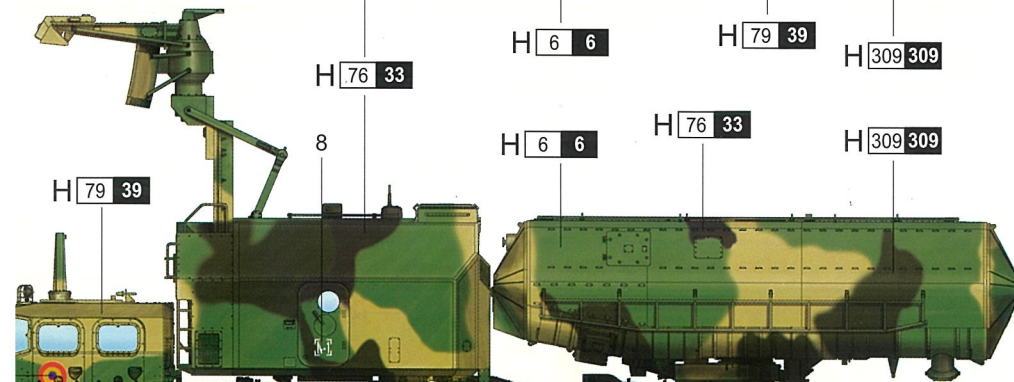
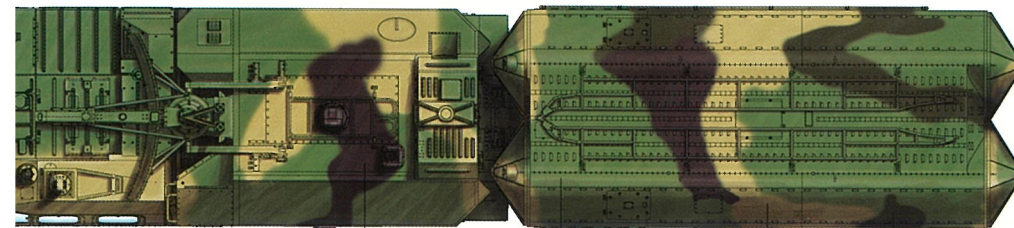
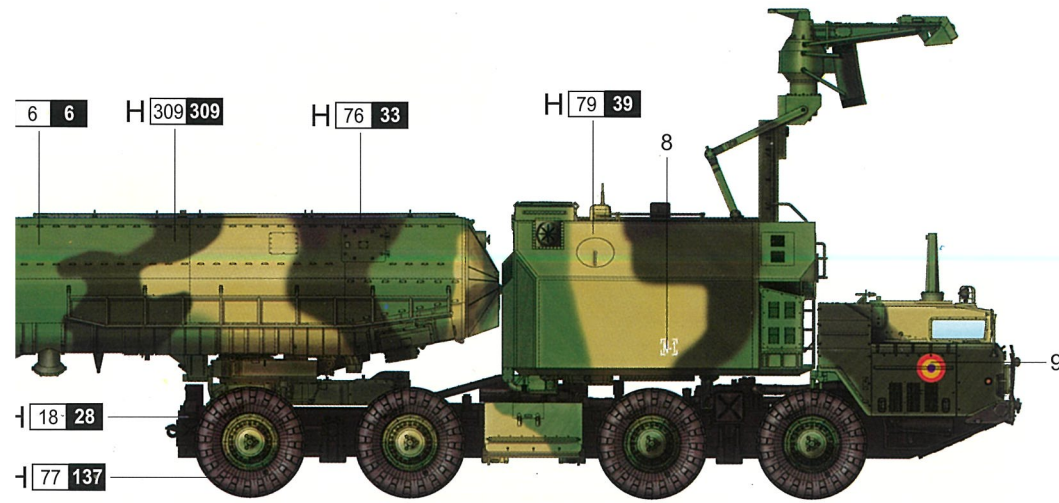
H  AQUEOUS HOBBY COLOR

X  Mr. COLOR

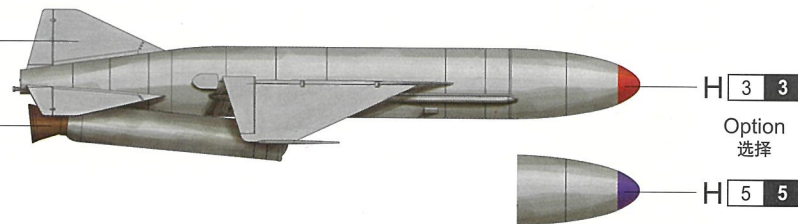
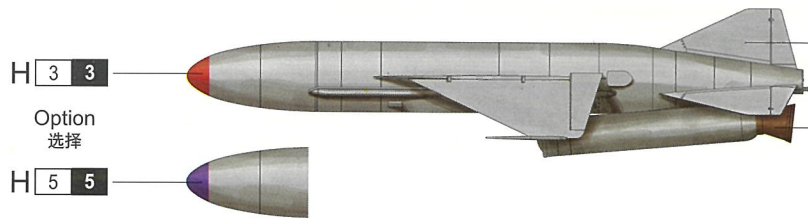
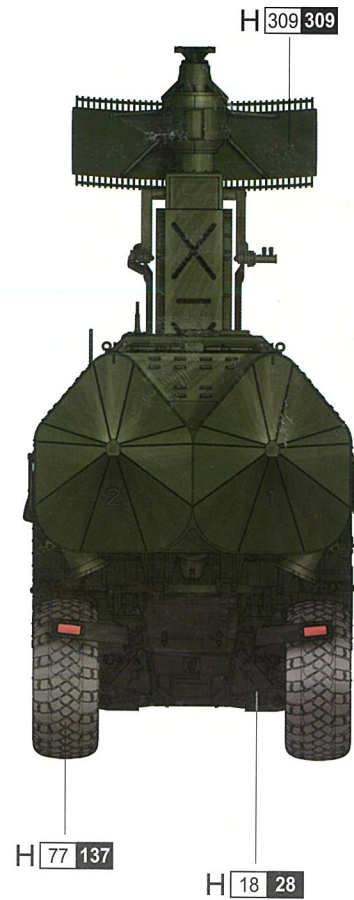
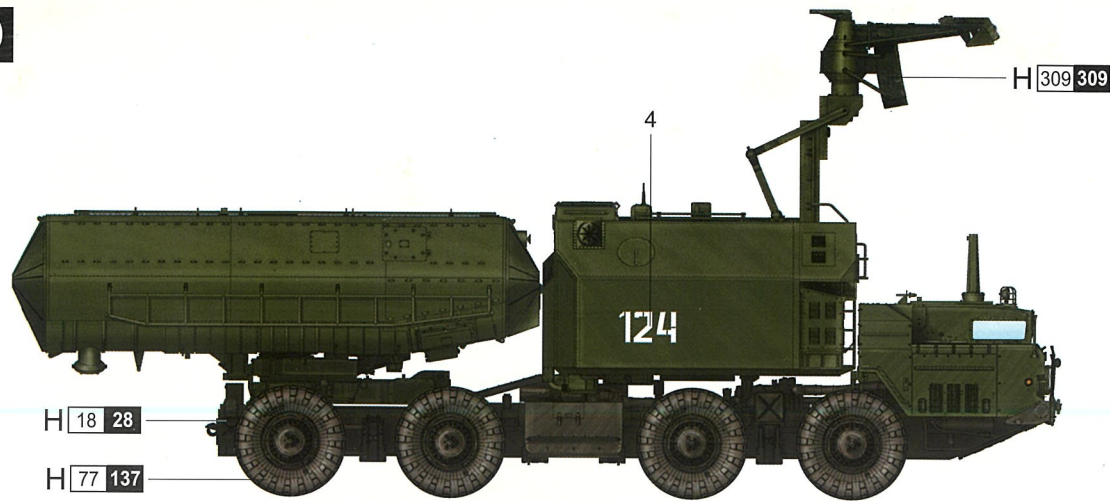
# 司标贴指示 ng & Marking guide

## PAINT REFERENCE COLOUR

Color	Mr.Hobby	Vallejo	Model Master	Tamiya	Humbrol
Forest Green 绿色	H 309 309	893	1710	XF58	116
Green 绿色	H 6 6	969	2716	X5	3
Blue 蓝色	H 5 5	899	1772	X3	15
Gray 灰色	H 308 308	990	1728	XF19	127
Burnt Iron 烧铁色	H 76 61	863	1795	X10	53
Red 红色	H 3 3	908	1503	X7	19



D



H  AQUEOUS HOBBY COLOR

X  Mr. COLOR

01035 1/35 Russian 4K51 Rubezh Coastal ASM with P-15