

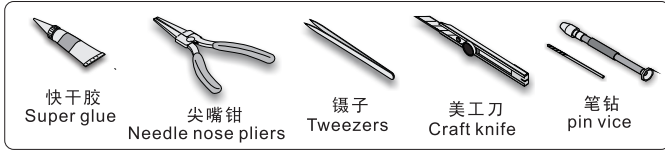
1/35 MILITARY MINIATURE VEHICLE UPGRADE SERIES PE35613

WWII German Tiger I Early Production (smoke discharger include)

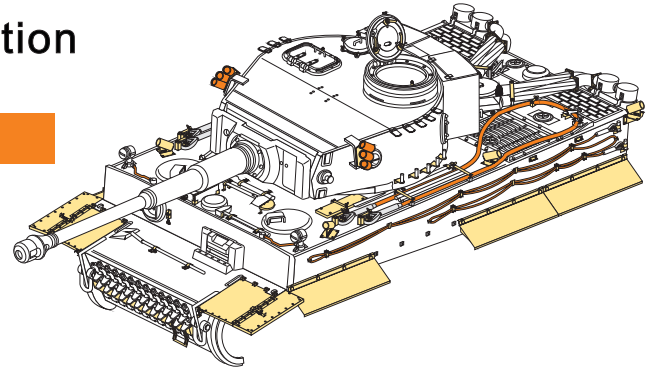
二战德军虎I型坦克早期型改造件(含烟幕弹)

[For ZVEZDA 3646]

推荐使用工具 RECOMMENDED TOOLS



安装 install	折叠 bend	A1 改造件零件编号 PE/resin part number	B12 原零件编号 kit part number
C22 被替换的原零件编号 replaced kit part number	切除 remove	打磨 grind off	弧度卷曲 radial bending
注意 caution	扩孔 ream	x2 制作若干组 multiple assembly	填补 fill
选择安装 alternative	另一侧相同制作 repeat on opposite side	钻孔 drill	



用尖端在凹槽处冲压
use penpoint to press on the dent

蚀刻片零件内侧面向上
Put the part upside down

用笔尖在凹槽处刺
Use penpoint to press on the dent

制作线圈
make coil

装填手舱盖
Loader's hatch

B7, C53, B101, C22, C18, C25

a

自制
Scratch build

C28[C29], U5, U1[U2]

金属件
Metal part

C44, C38

1.0mmx3.0mm

b

烟幕弹发射器
Smok candle discharger

b

自制
Scratch build

B90, C27

抽烟装置
Ventilator redesigned

c

按照喜好使用
Select the parts as preferred

TE1/TE4, TE2/TE3, Te5

自制
Scratch build

d

a, **b**, **c**

B96, B100, C19, Ø.5

e

C30[C31], C39, Ø.5, B33

车长指挥塔
Commander's cupola

c

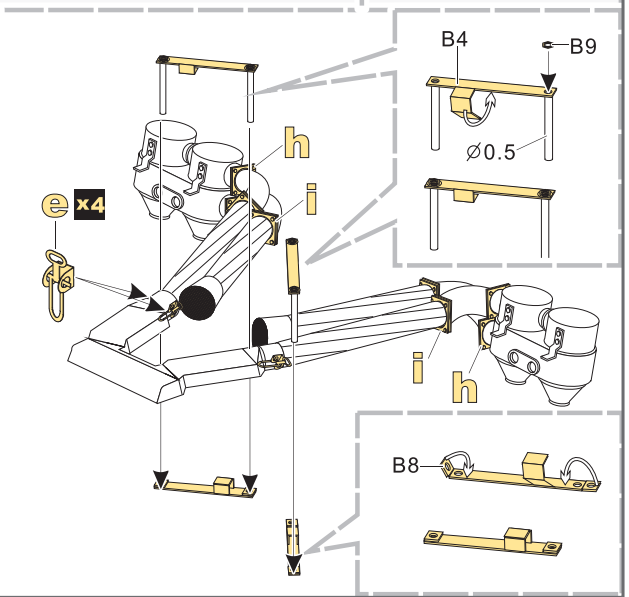
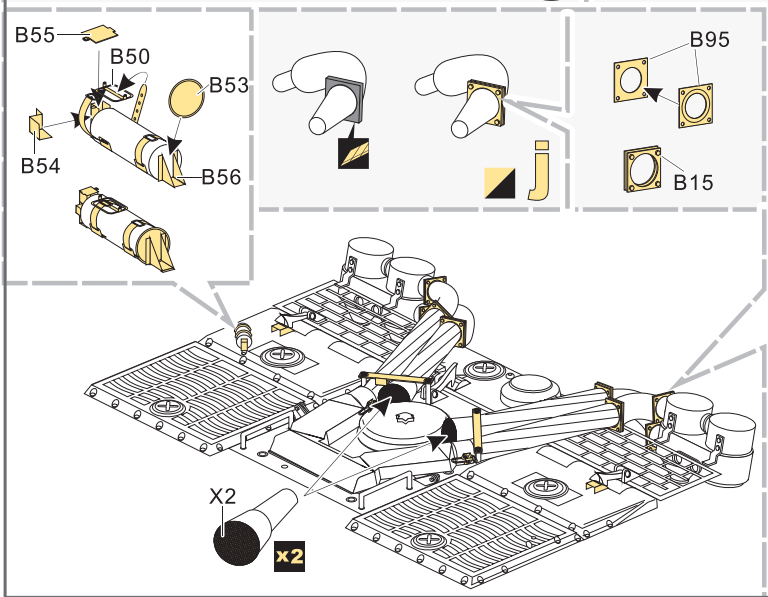
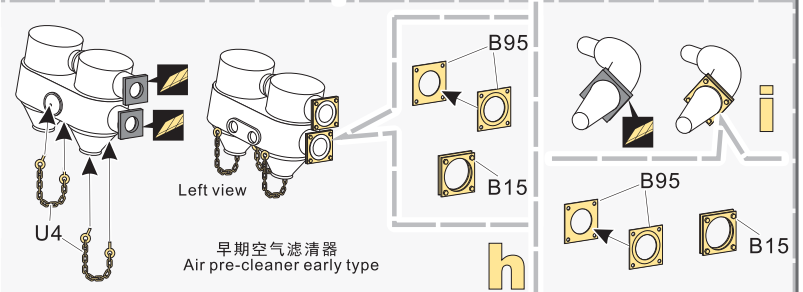
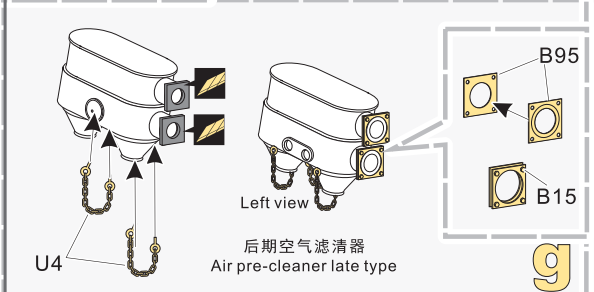
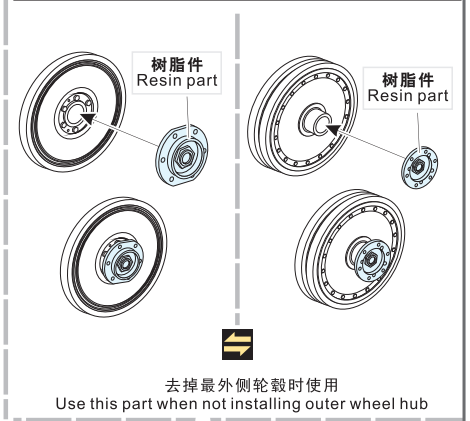
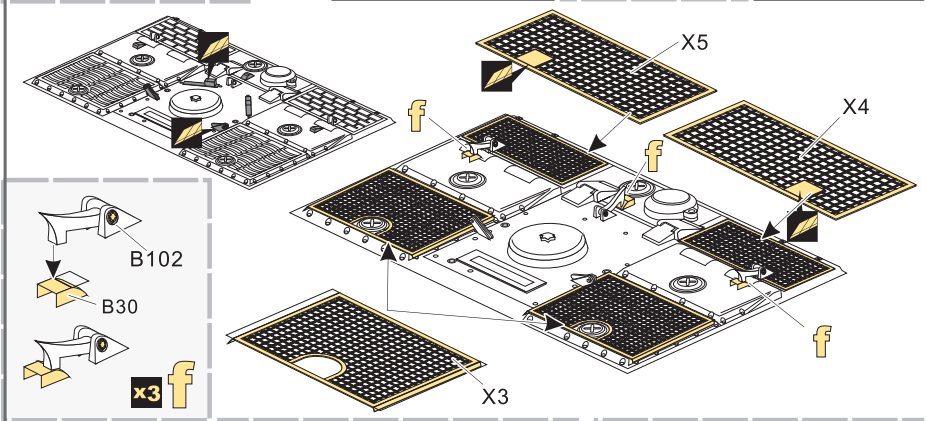
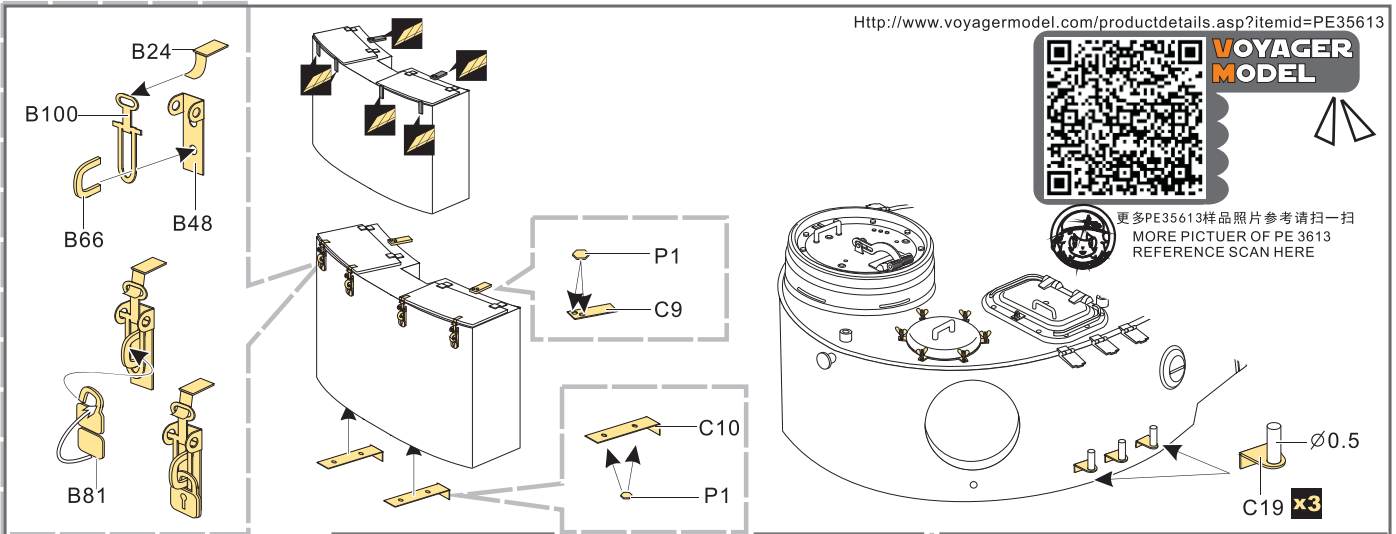
1/35 MILITARY MINIATURE VEHICLE UPGRADE SERIES PE35613

[Http://www.voyagermodel.com/productdetails.asp?itemid=PE35613](http://www.voyagermodel.com/productdetails.asp?itemid=PE35613)

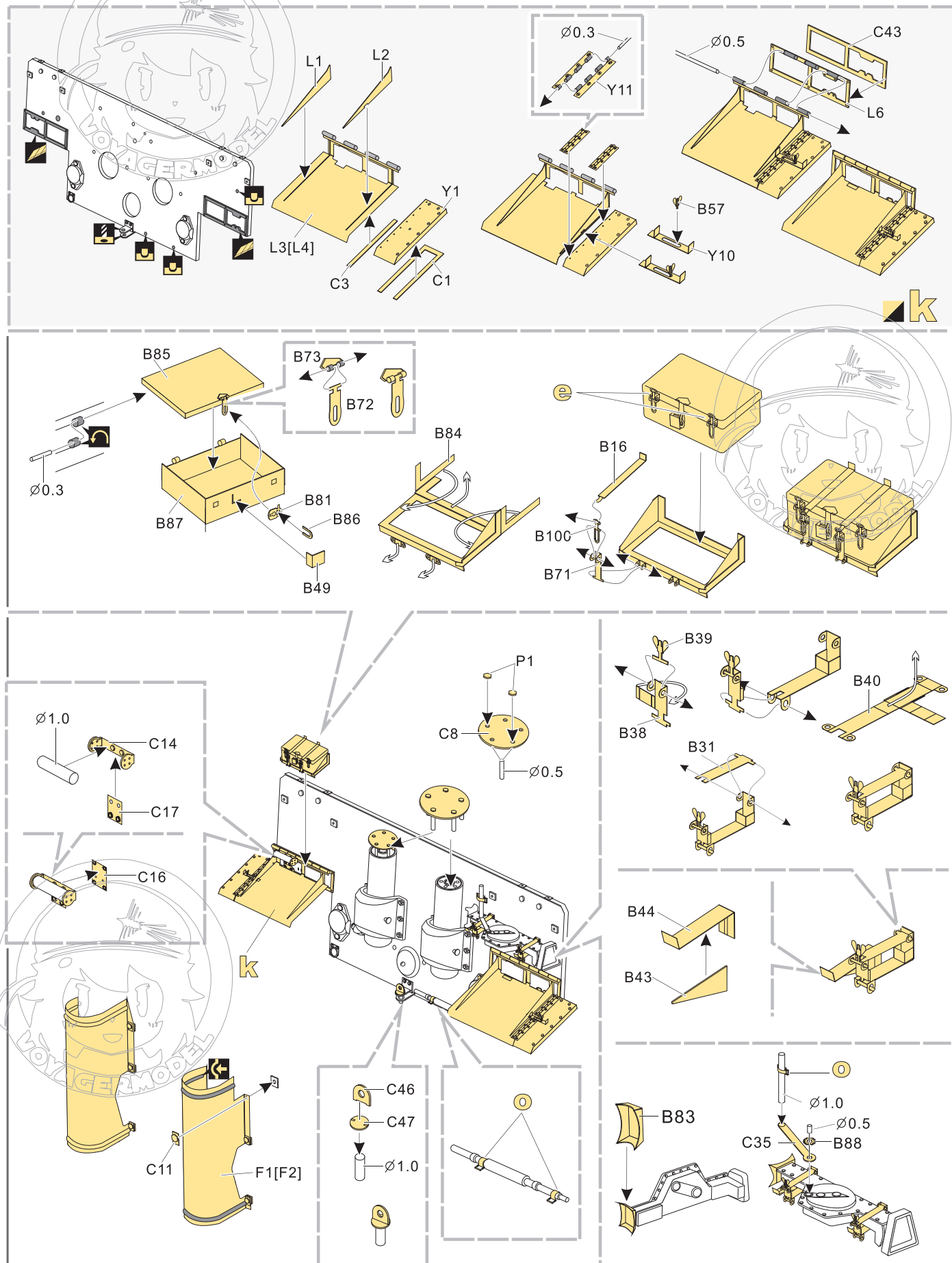


**VOYAGER
MODEL**

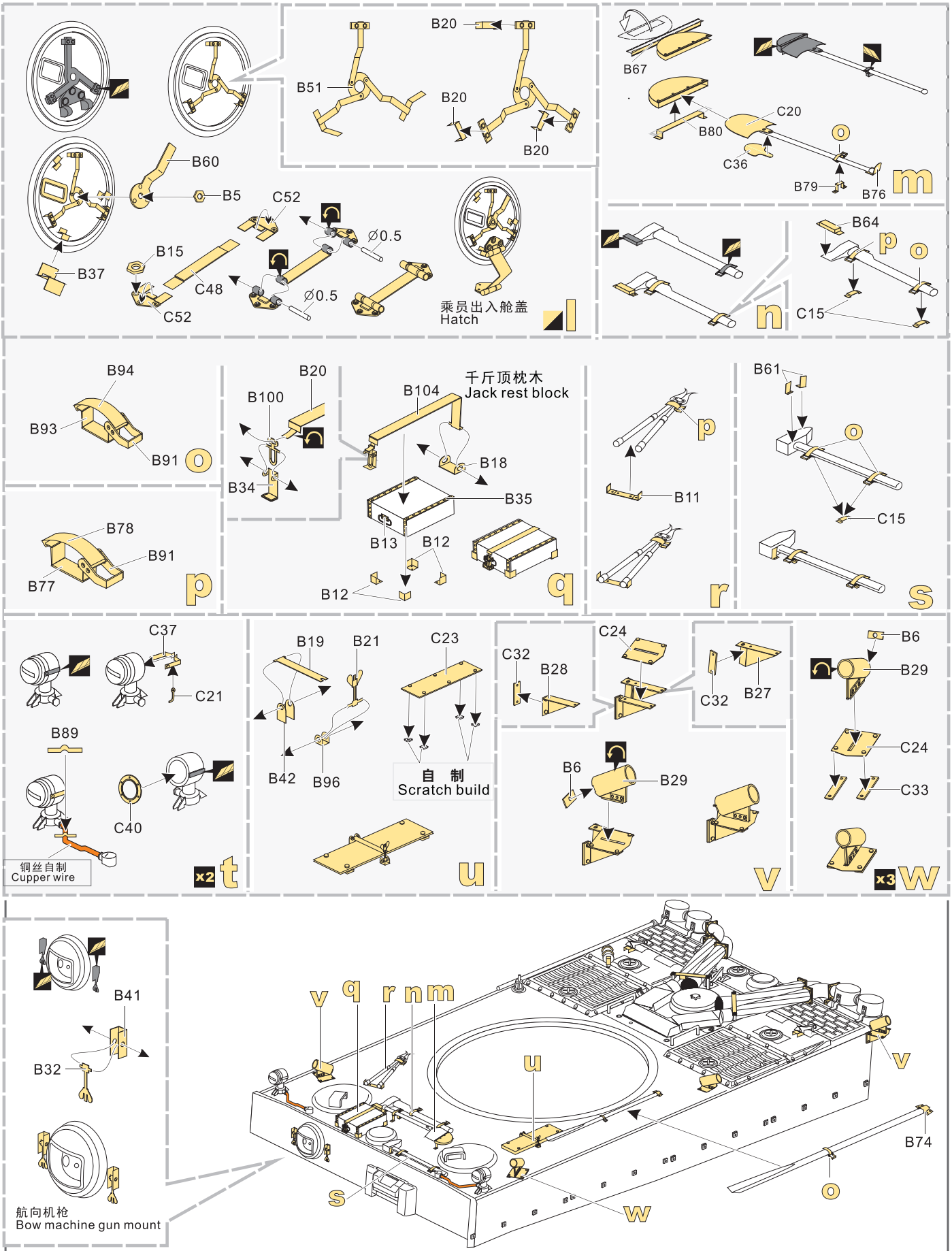
更多PE35613样品照片参考请扫一扫
MORE PICTUER OF PE 3613
REFERENCE SCAN HERE



1/35 MILITARY MINIATURE VEHICLE UPGRADE SERIES PE35613



1/35 MILITARY MINIATURE VEHICLE UPGRADE SERIES PE35613



1/35 MILITARY MINIATURE VEHICLE UPGRADE SERIES PE35613

