

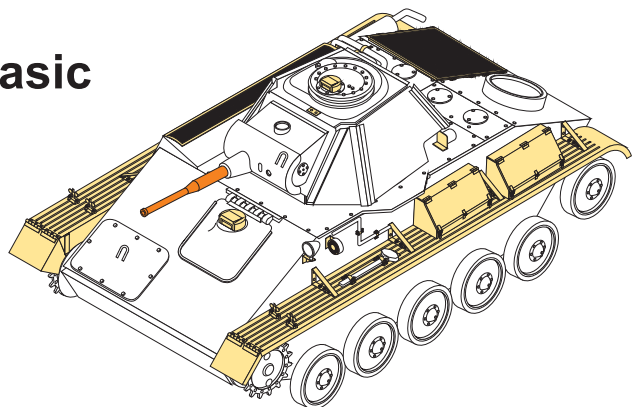
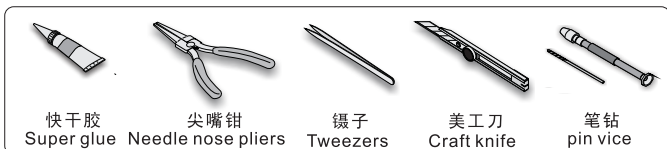
1/35 MILITARY MINIATURE VEHICLE UPGRADE SERIES PE35516

WWII Soviet T-70M Light Tank basic

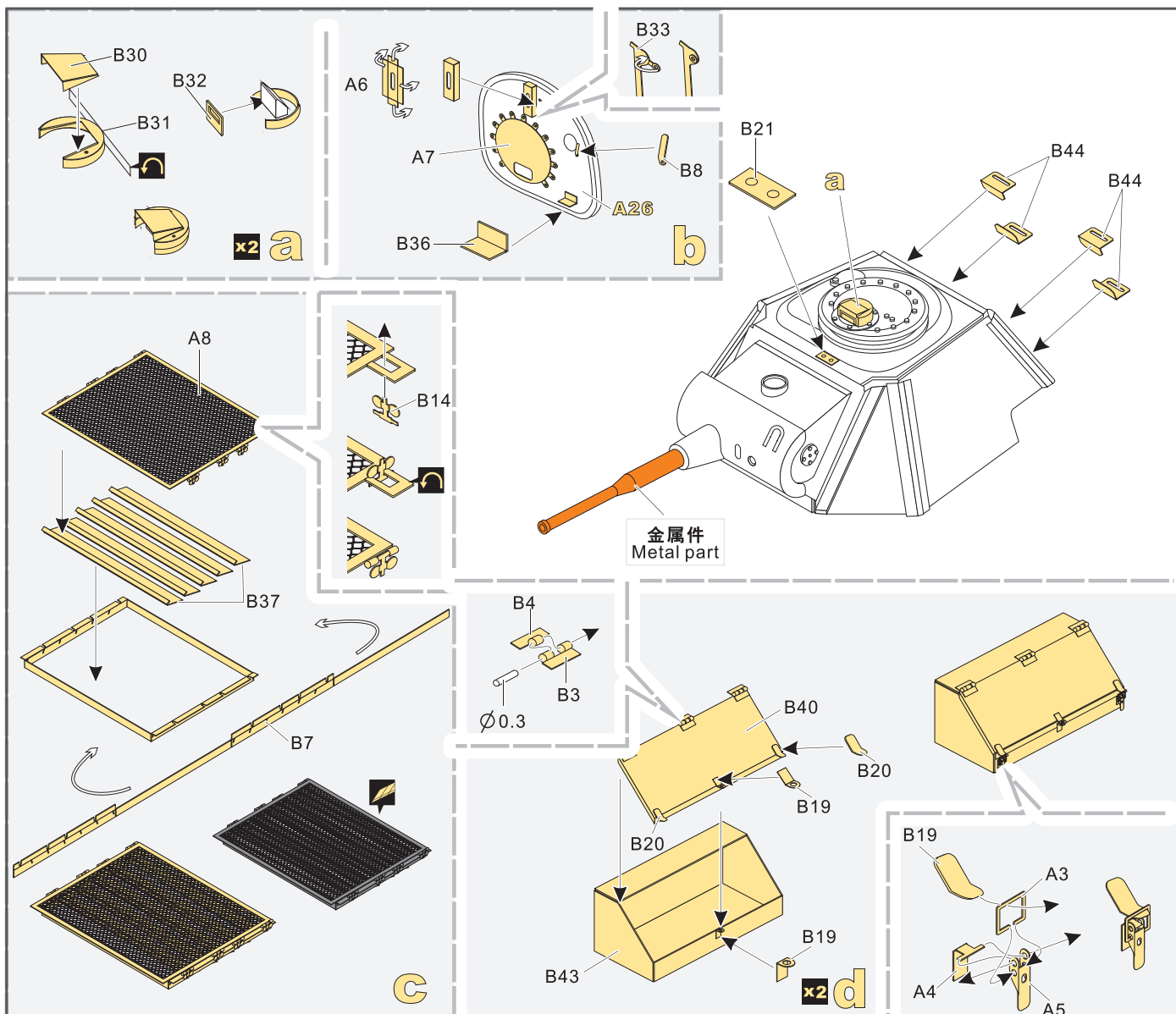
二战苏联T-70M轻型坦克改造件

[For MINIART 35113]

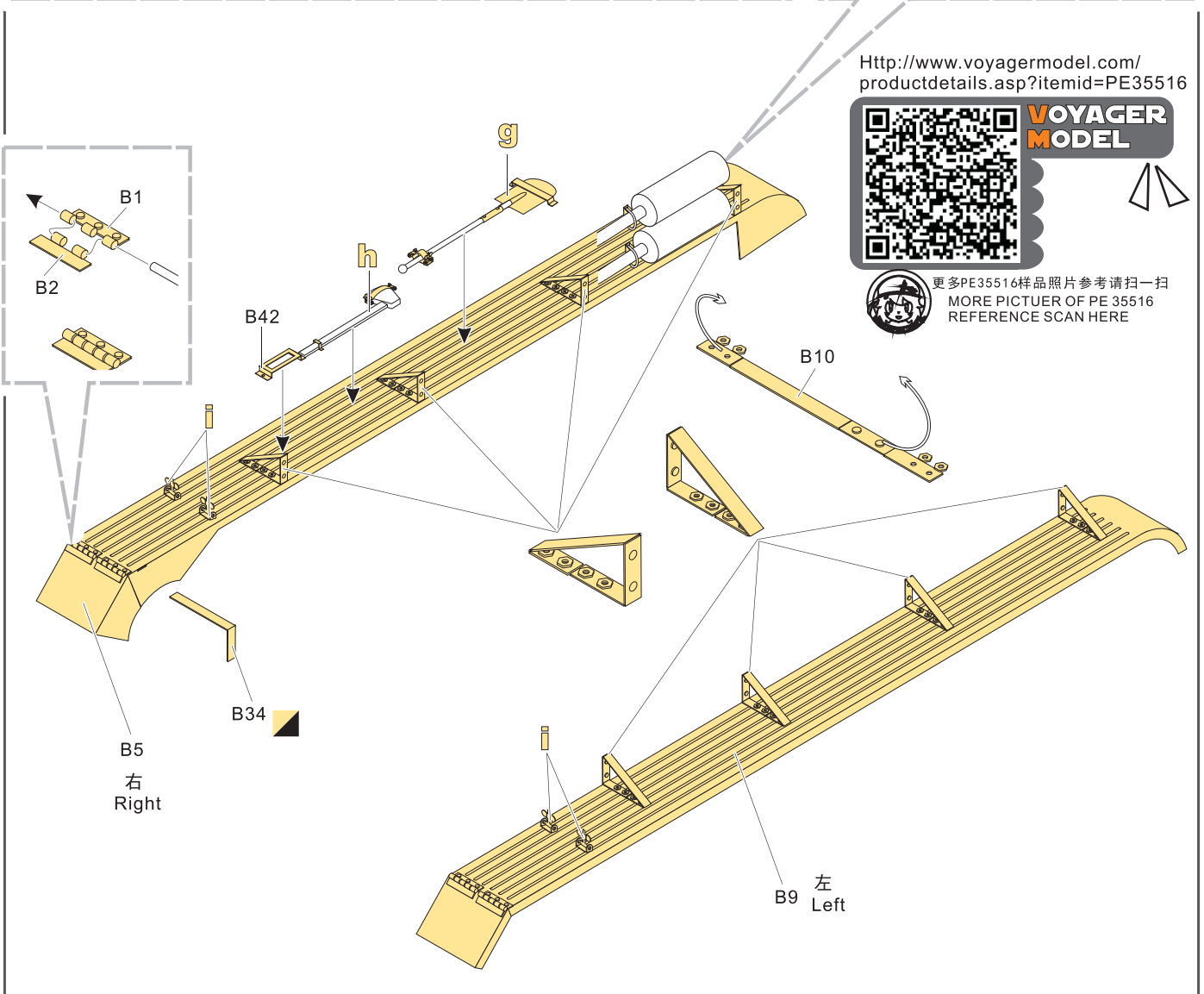
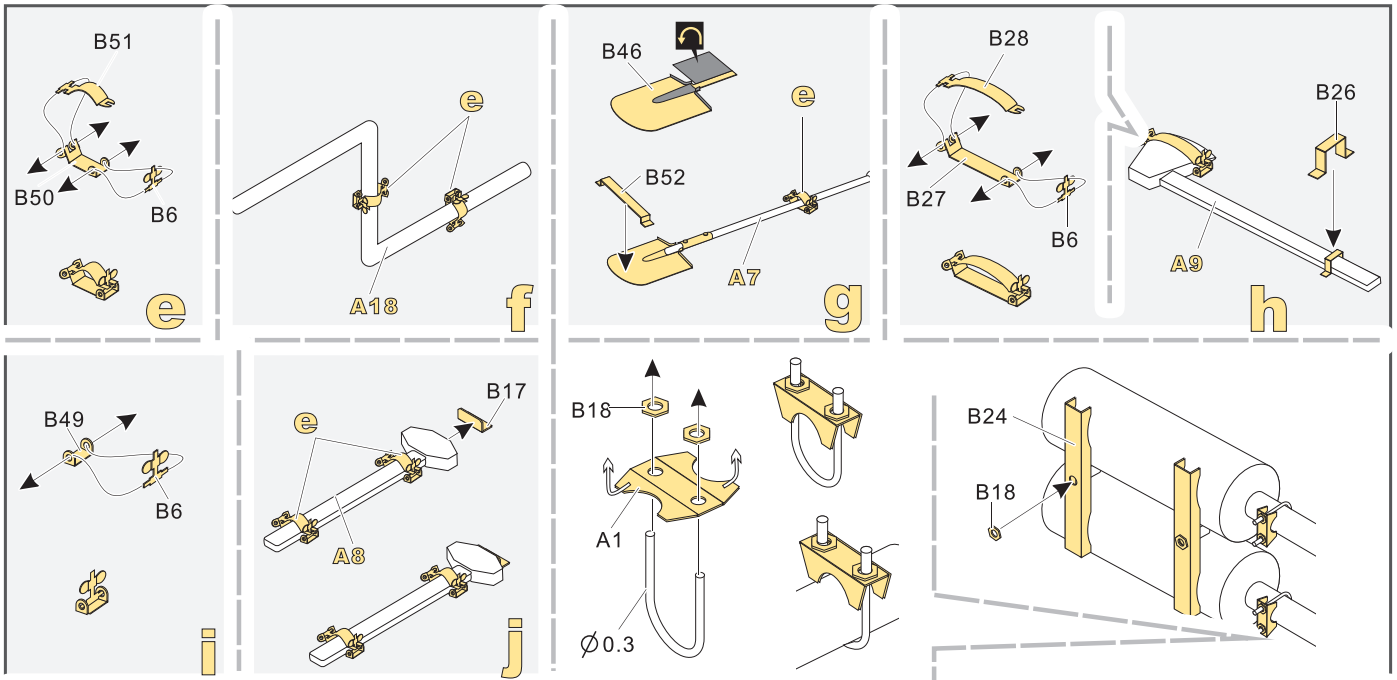
推荐使用工具 RECOMMENDED TOOLS



- 安装
install
- 折叠
bend
- A1**
改造件零件编号
PE/resin part number
- B12**
原零件编号
kit part number
- C22**
被替换的原零件编号
replaced kit part number
- 用尖端在凹槽处冲压
use penpoint to press on the dent
- 用胶棒制作
make from plastic rod
- 切除
remove
- 另一侧相同制作
repeat on opposite side
- 弧度卷曲
radial bending
- 制作若干组
multiple assembly
- 选择安装
alternative
- 钻孔
drill



1/35 MILITARY MINIATURE VEHICLE UPGRADE SERIES PE35516



1/35 MILITARY MINIATURE VEHICLE UPGRADE SERIES PE35516

