



A649-200

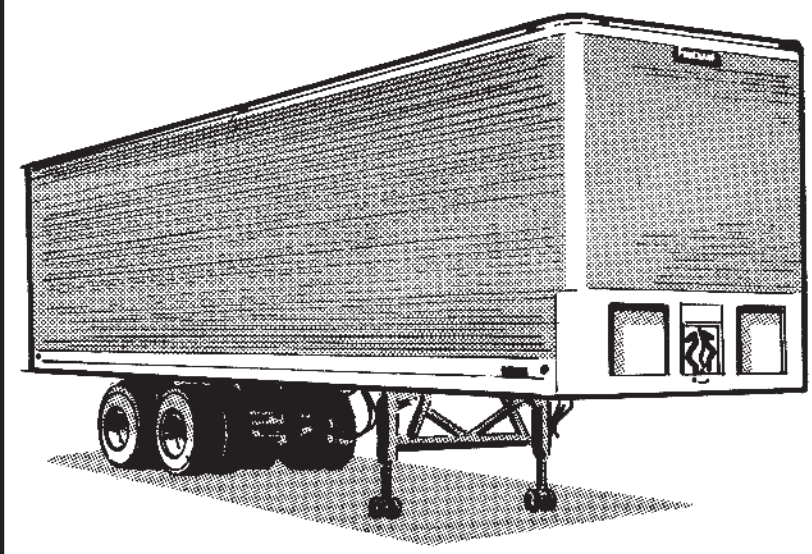
RUEHAUF TRAILER

READ THIS BEFORE YOU BEGIN

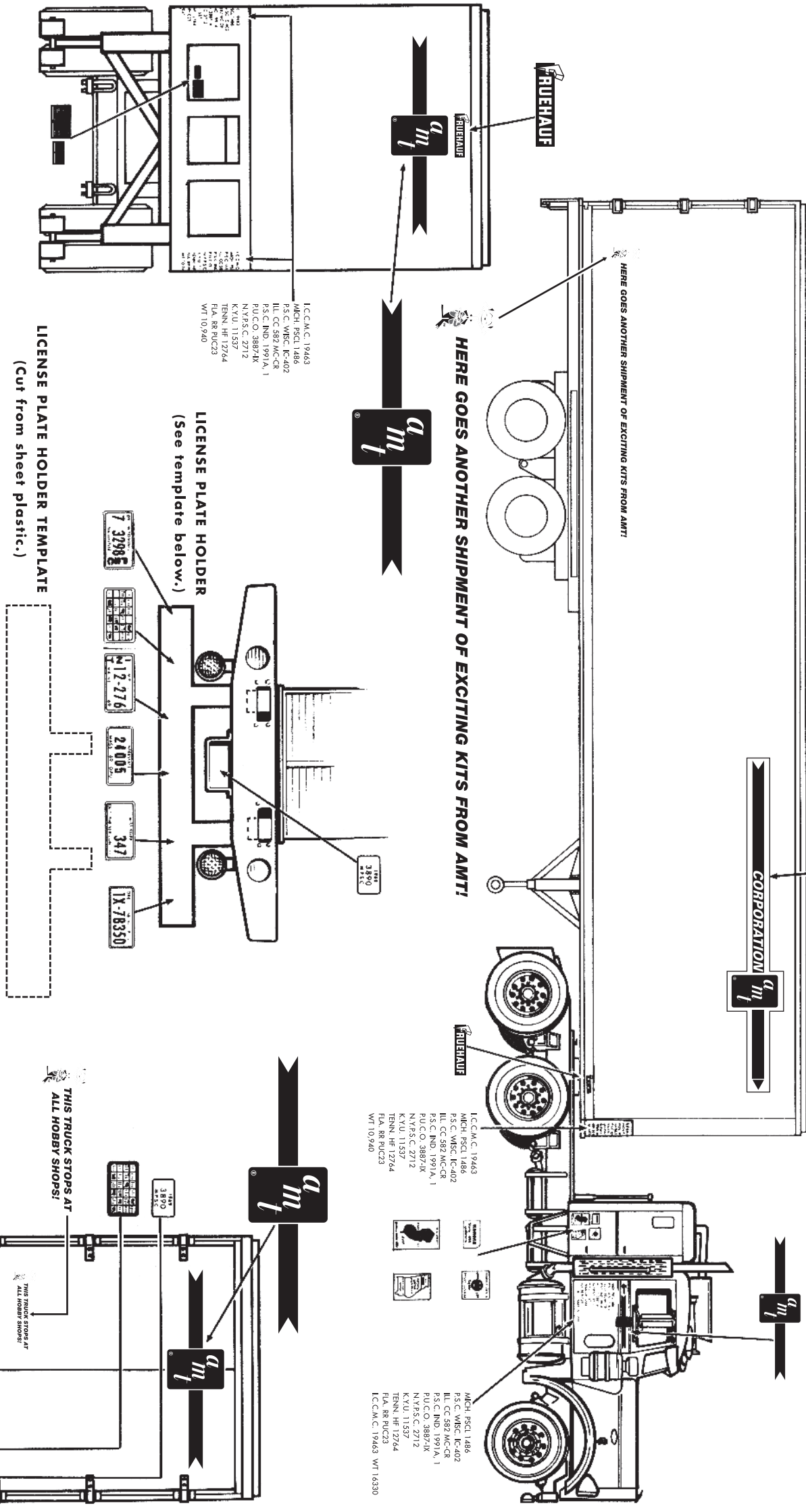
AMT kits are molded from the finest High-Impact Styrene plastic. Use only paint and cement made for Styrene. Trim excess plastic from parts before joining. Use just enough cement to join parts, and be careful not to smear cement on exposed surfaces.

Look over this instruction sheet carefully before you begin building. Follow the assembly instructions and "test-fit" the parts without cementing. This will familiarize you with the location of the parts.

Built according to the instructions on this sheet, you should have no trouble assembling your model. Just FOLLOW THE NUMBERS. The parts are numbered in the order of assembly. (C) INDICATES "CHROME" PARTS.



DECAL PLACEMENT

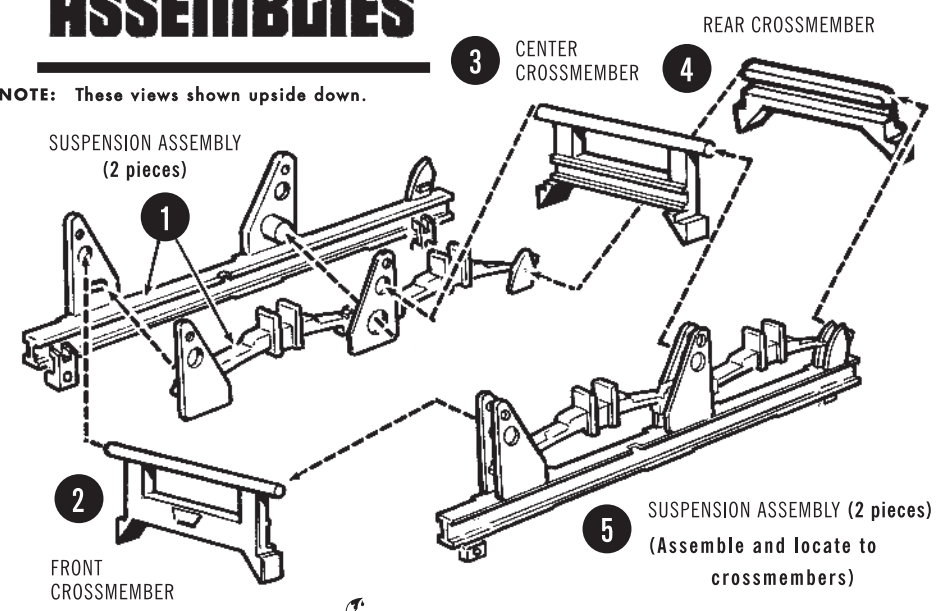


CREATING BACKING PANELS FOR THE LOGO DECALS

1. Start by carefully cutting out the set of large logo decals (AMT, Auto World or Round 2) you wish to use from the decal sheet. Cut very close to the color.
 2. One by one, lay each decal over the plastic sheet and trace around it, adding an additional 1/32" frame all the way around.
 3. Cut the shapes out of the plastic with scissors. USE CAUTION.
 4. Apply the decals to the plastic backing panels and glue the panels to the sides of the Van.
- NOTE: Depending on which logos you are using, there may be enough plastic left to create a License Plate Holder Bracket as shown above. A Template is provided at the correct size.

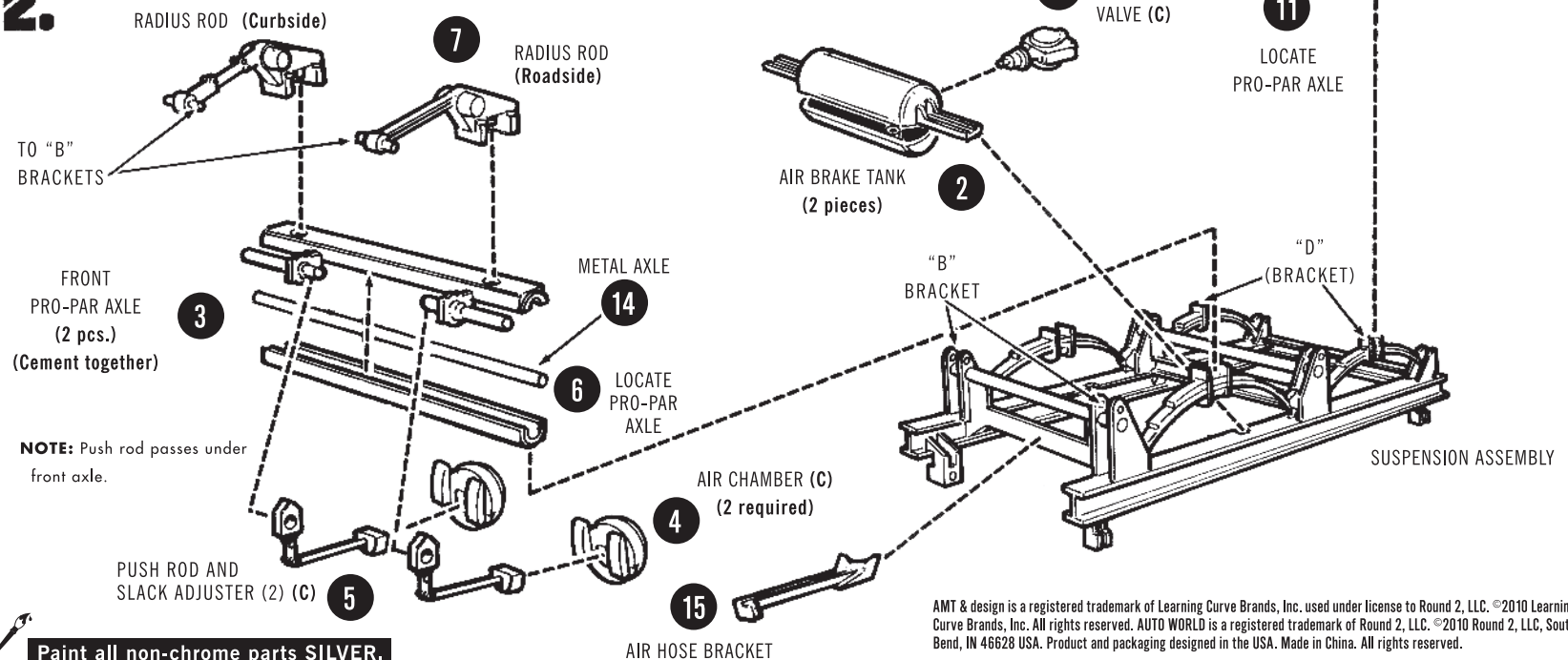
1. SUSPENSION ASSEMBLIES

NOTE: These views shown upside down.



Paint the suspension assembly SILVER.

2.



Paint all non-chrome parts SILVER.

Paint all non-chrome parts SILVER.

DECAL WITH BACKING PLASTIC (See notes below.)

For placement info only. TRACTOR NOT INCLUDED.

AMT & design is a registered trademark of Learning Curve Brands, Inc. used under license to Round 2, LLC. ©2010 Learning Curve Brands, Inc. All rights reserved. AUTO WORLD is a registered trademark of Round 2, LLC. ©2010 Round 2, LLC, South Bend, IN 46628 USA. Product and packaging designed in the USA. Made in China. All rights reserved.

4. FINAL ASSEMBLIES

NOTE: This view shown upside down.

22 BLACK VINYL TUBING FOR AIR HOSES
 NOTE: Attach to pins on floor bottom crossmember and to air hose bracket.
 Cut the supplied hose in 2 equal halves.

17 KING PIN (To fifth wheel on tractor)
 (TRACTOR NOT INCLUDED)

Paint all non-chrome support parts SILVER.

Paint the splash guards FLAT BLACK, and the lettering on them YELLOW.

Paint bottom of floor, roof and lower smooth sections of side panels SILVER.
 Paint ribbed areas of side panels, body front wall and doors WHITE.

23 SELECT-A-POINT SLIDER LOCKING MECHANISM (DO NOT CEMENT)
 (To holes in sub-frame rails as indicated)

20 2 SPLASH GUARDS

8 REAR BUMPER
 SILVER

7 2 UPPER SUB-FRAME RAILS
 SILVER

2 STOP-TAIL AND TURN LIGHT MODULE (C)
27
26 4 RED LENSES LARGE

28 LICENSE PLATE BRACKET (C)

4 ROOF AND UPPER RAIL ASSEMBLY

CURBSIDE PLY METAL DOOR

6 ROADSIDE PLY METAL DOOR

5 2 HINGE HALVES
 SILVER

NOTE: Use cement only in shaded area. And do not let cement touch hinging area because door will not operate properly.

2 BODY SIDE WALLS TO FLOOR
 (Curbside and Roadside)

3 **1**

AIR HOSE BRACKET

LOCATE ASSEMBLED WHEELS TO AXLES

21 SUSPENSION ASSEMBLY
 NOTE: Slide suspension assembly onto sub-frame rails (Do not cement)

18 AIR HOSE SUPPORT
 SILVER

16 UPPER COUPLER ASSEMBLY
 SILVER

BODY FRONT WALL

2

9 CROSS BRACING

10 CROSS CRANK SHAFT

LOWER SUPPORT LEG
 (Use if trailer is attached to tractor)

14 (OPTION)

LOWER SUPPORT LEG EXTENSION
 (Use if trailer is standing by itself)

SUPPORT WHEEL (4 required)

11 UPPER SUPPORT LEG ASSEMBLY (4 pieces)

CRANK HANDLE (C)

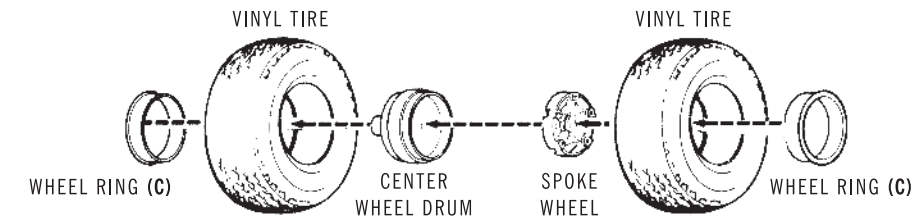
12 GEAR BOX
 (To roadside only)

24 8 RED REFLECTORS
 (3 per side, one per door)
 SMALL

25 13 AMBER MARKER LIGHTS
 (5 rear roof) (2 front)
 (3 per side)

3. WHEELS

ASSEMBLE 4 SETS OF WHEELS AS SHOWN.



NOTE: Remove center "web" of tires if necessary.