



REPUBLIC RF-84F THUNDERFLASH

RF-84F uçağı A.B.D. Hava Kuvvetlerinin yüksek hızlı foto-keşif uçağı ihtiyacı üzerine Republic firması tarafından F-84F Thunderstreak uçağı temel alınarak, gündüz keşif uçağı olarak geliştirilmiştir.

1954 yılının Mart ayından itibaren hizmete alınan RF-84F uçakları, A.B.D. haricinde Almanya, Danimarka, Fransa, Hollanda, İtalya, Norveç, Yunanistan, Tayvan ve Türkiye' de kullanılmıştır.

Republic firmasınınca toplam 715 adet imal edilen RF-84F uçaklarından 69 adedi Türk Hava Kuvvetlerinde 1956 – 1980 yılları arasında kullanılmıştır.

REPUBLIC RF-84F THUNDERFLASH

Developed by the Republic Aviation Company, the RF-84F Thunderflash was developed as a photo-reconnaissance aircraft based upon the F-84F Thunderstreak and this was as a direct result of the Tactical Air Command requirement for a high speed replacement for the RF-80. Production of the RF-84F began in 1954 and it humbly served throughout the world.

Most of the production run served the United States Air Force but small batches were also exported to different NATO countries. Among those using the aircraft were the Air Forces of Germany, Denmark, France, Netherlands, Italy, Norway, Greece, Taiwan and Turkey. The Republic Company manufactured some 715 RF-84F aircraft and of those, 69 were used by the Turkish Air Force between 1956 and 1980.

Teknik Veriler

UZUNLUK : 14,48m (47' 6,5")

KANAT GENİŞLİĞİ : 10,20m (33' 5,2")

YERDEN YÜKSEKLİK : 4,57m (15')

MOTOR : Wright J65-W-7

AZAMI İRTİFA : 13.900m (45.600ft)

AZAMI HIZ : 1093km/s (679mph) Deniz seviyesinde

AZAMI KALKIŞ AĞIRLIĞI : 11.520kg (25.400lb)

SİLAHLARI : 4 x 12,7mm Makinalı Top

Technical Data

LENGTH : 14,48m (47' 6,5")

WINGSPAN : 10,20m (33' 5,2")

HEIGHT : 4,57m (15')

POWERPLANT : Wright J65-W-7

SERVICE CEILING: 13.900m (45.600ft)

MAX. SPEED : 1093km/s (679mph) at sea level

MAX. TAKEOFF WEIGHT : 11.520kg (25.400lb)

ARMAMENT : 4 x 50 Cal. Machine Guns



Yapıştırmanın Nicht kleben
Don't glue Ne pas coller



Ayrırmak isterseniz kesin
Cut for Alternative Assembly

Schneiden für alternatives Spleißen
Dcouper pour alternatif montage



Seçenekli birleştirme
Alternative assembly Choix

Auswahlmöglichkeit



Ağırlık ekleyin
Add weight Ajouter du lest



Tüm parçalar kullanıldığı takdirde ağırlık gerekmemektedir. | There is no need for any weight in case all parts are used.



A: GUNZE H218 HUMBROL 56 Aluminium
D: GUNZE H211 HUMBROL 11 Chrome silver
G: GUNZE H90 HUMBROL 1321 Clear red
J: GUNZE H76 HUMBROL 53 Burnt iron

B: GUNZE H13 HUMBROL 153 Flat red
E: GUNZE H334 HUMBROL 167 Barley gray
H: GUNZE H34 HUMBROL 103 Cream matt
K: GUNZE H93 HUMBROL 91320 Clear blue

C: GUNZE H12 HUMBROL 33 Black matt
F: GUNZE H58 HUMBROL 81 Interior green
I: GUNZE H18 HUMBROL 27003 Steel

Moulds and design are manufactured by and are the property of TANMODEL Plastic Model Kits. All copyright infringements are liable to prosecution.

Kalıplar ve tasarım TANMODEL Plastik Model Kitleri'nin mülkiyeti altındadır. Taklit edilmesi halinde yasal haklarımız mahkemece takip edilecektir.



F18 : Parça No / Part Numbers

G15 : Şeffaf Parça / Clear Parts

E : Renk Kodu / Paint Codes

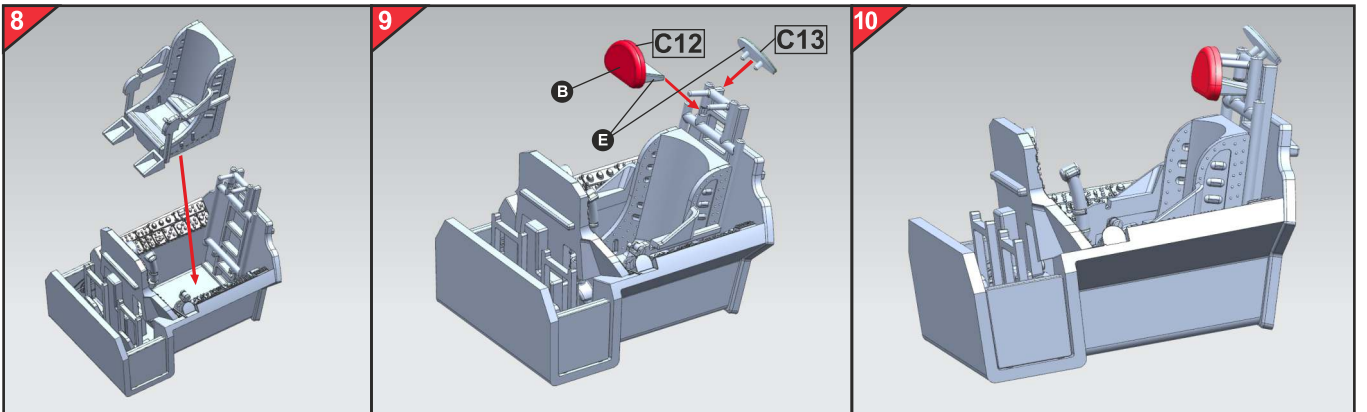
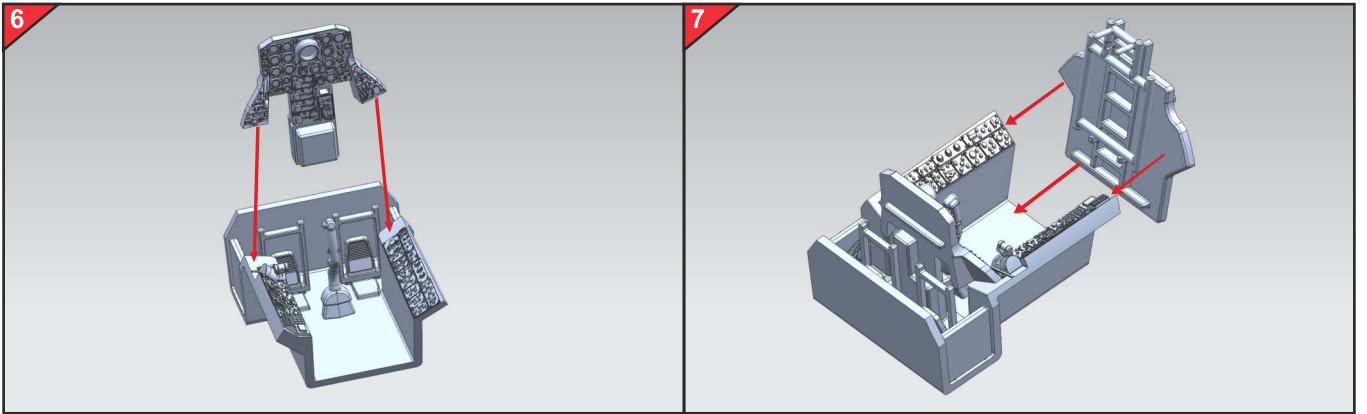
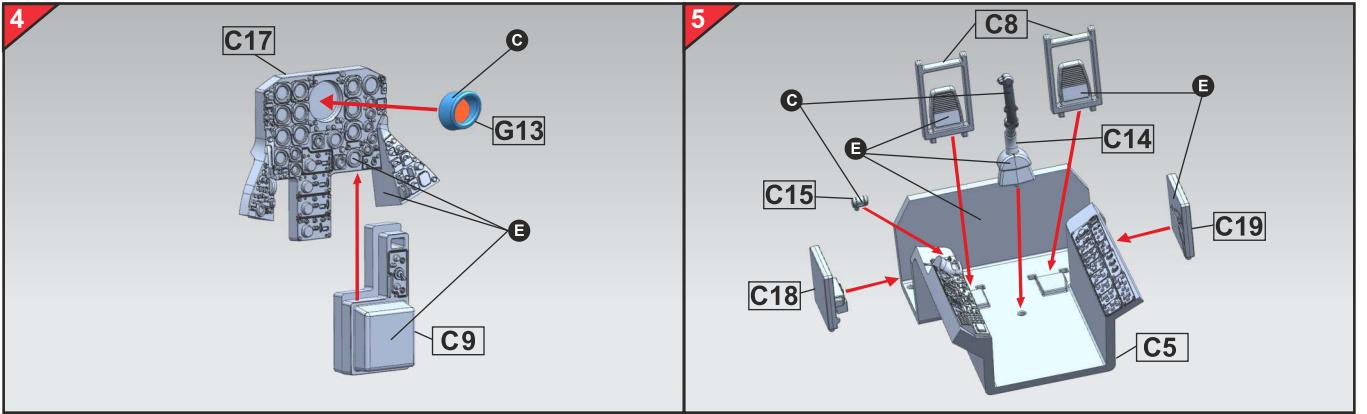
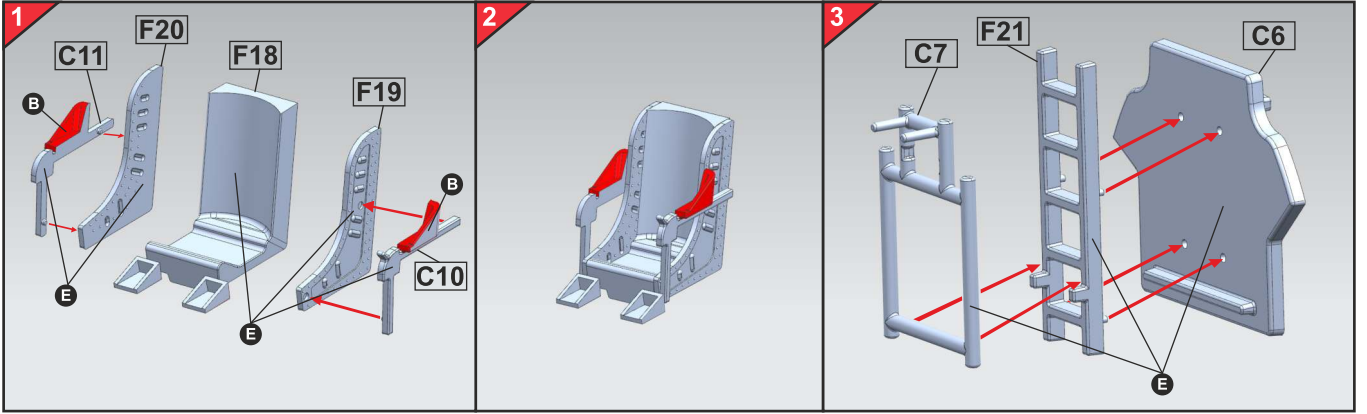
Bu sayfada tavsiye edilen boya kodları - The paint codes recommended on this page



B: GUNZE H13 - HUMBROL 153

C: GUNZE H12 - HUMBROL 33

E: GUNZE H334 - HUMBROL 167



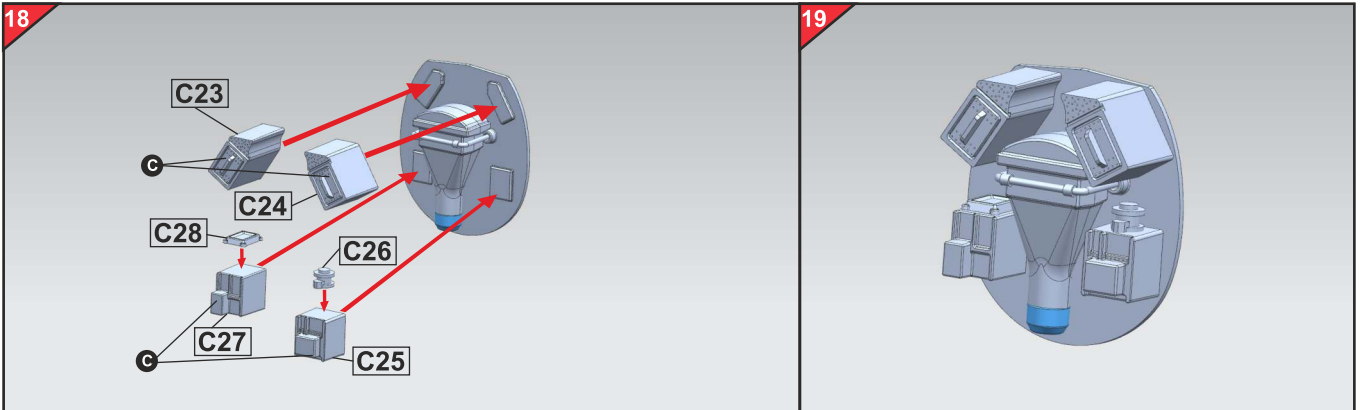
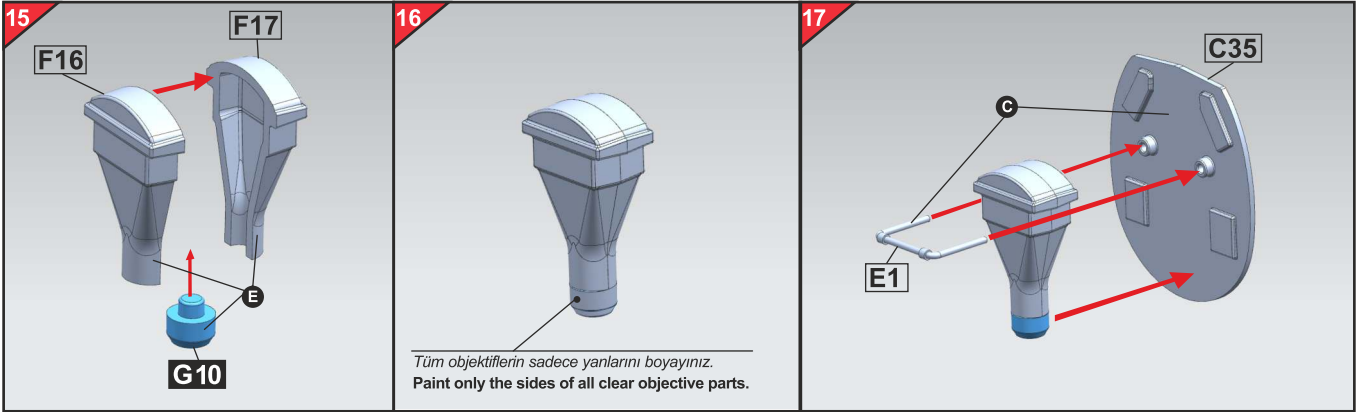
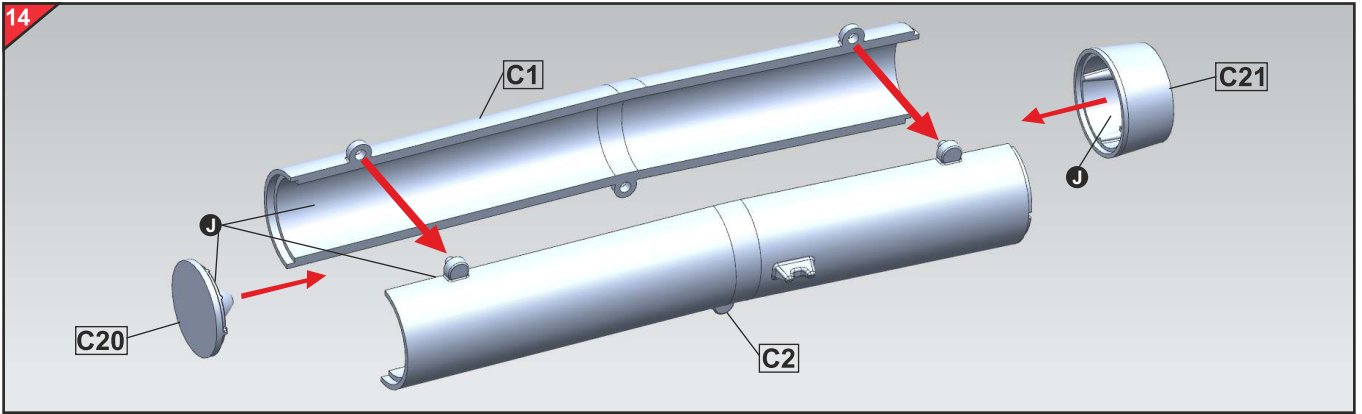
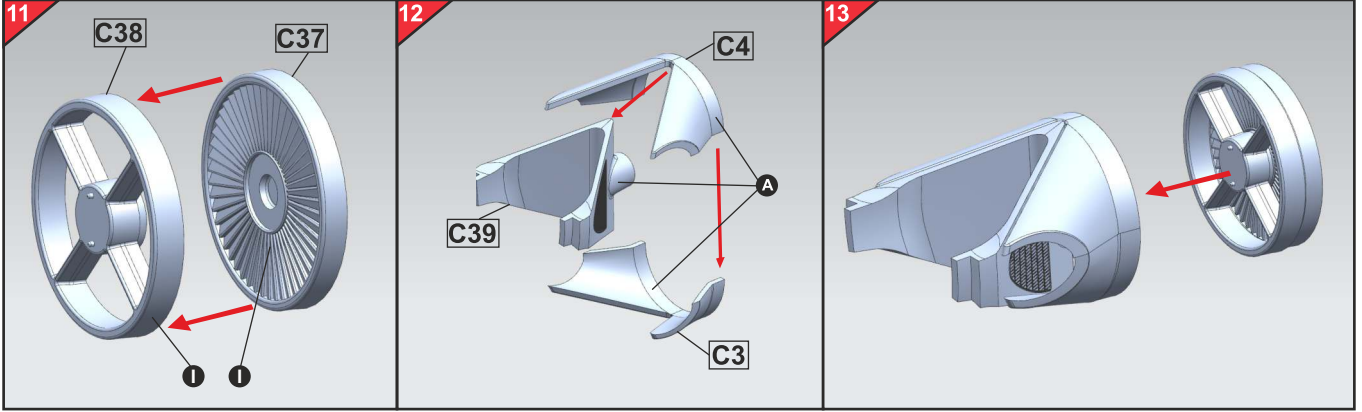
Bu sayfada tavsiye edilen boya kodları - The paint codes recommended on this page



A: GUNZE H218 - HUMBROL 56
I: GUNZE H18 - HUMBROL 27003

C: GUNZE H12 - HUMBROL 33
J: GUNZE H76 - HUMBROL 53

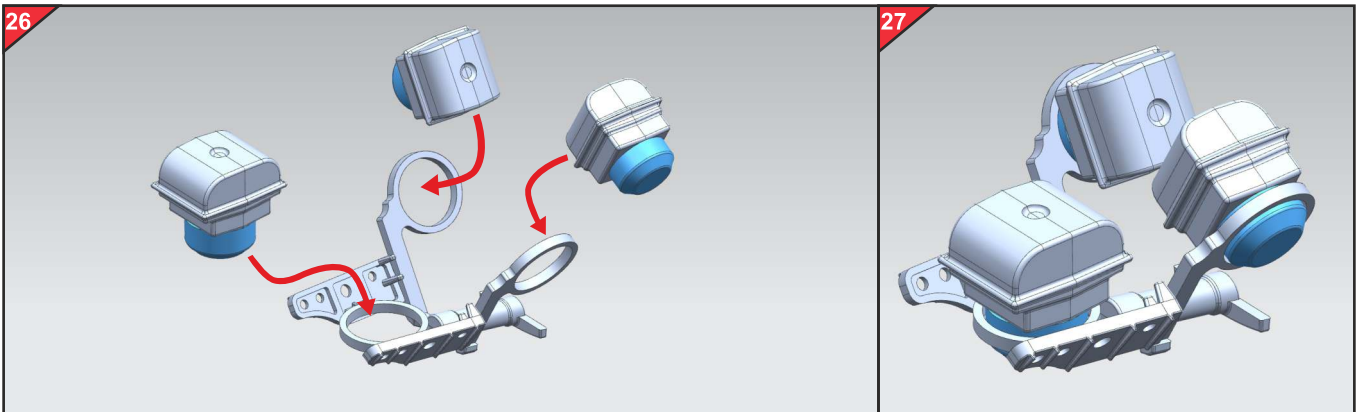
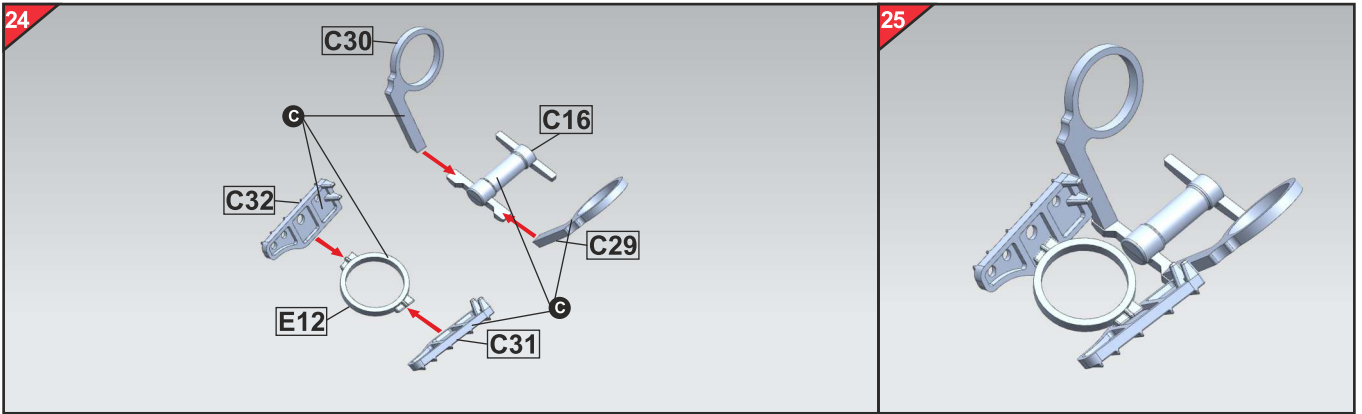
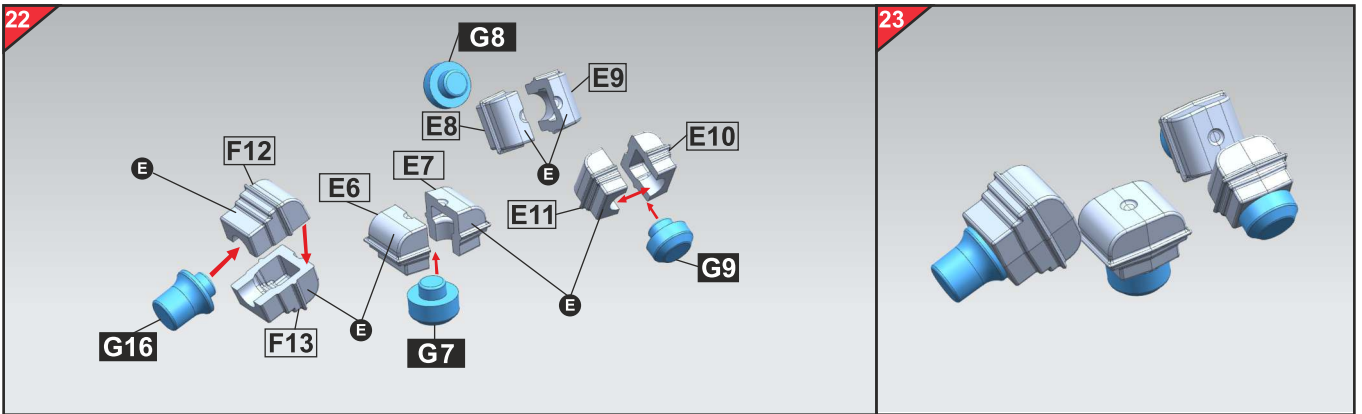
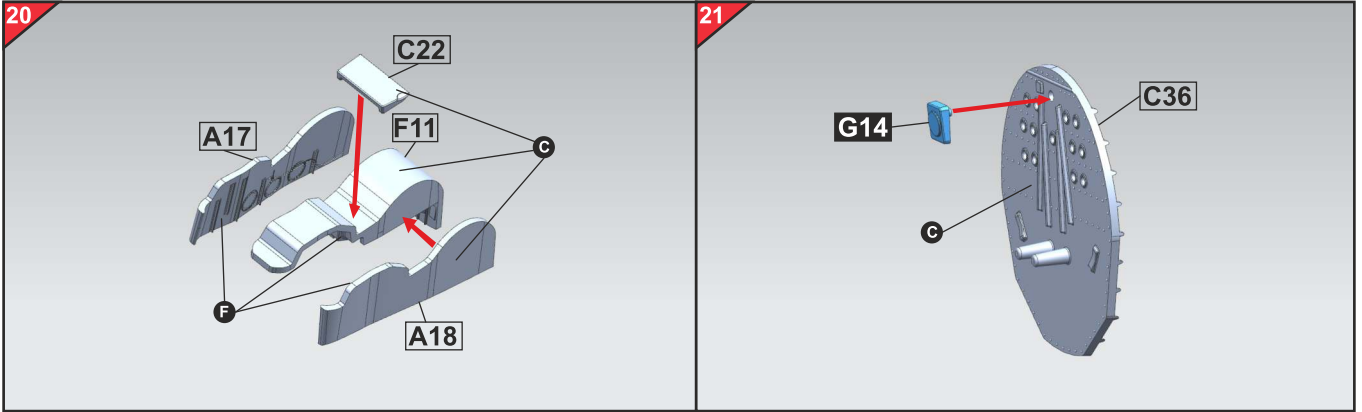
E: GUNZE H334 - HUMBROL 167



Bu sayfada tavsiye edilen boya kodları - The paint codes recommended on this page



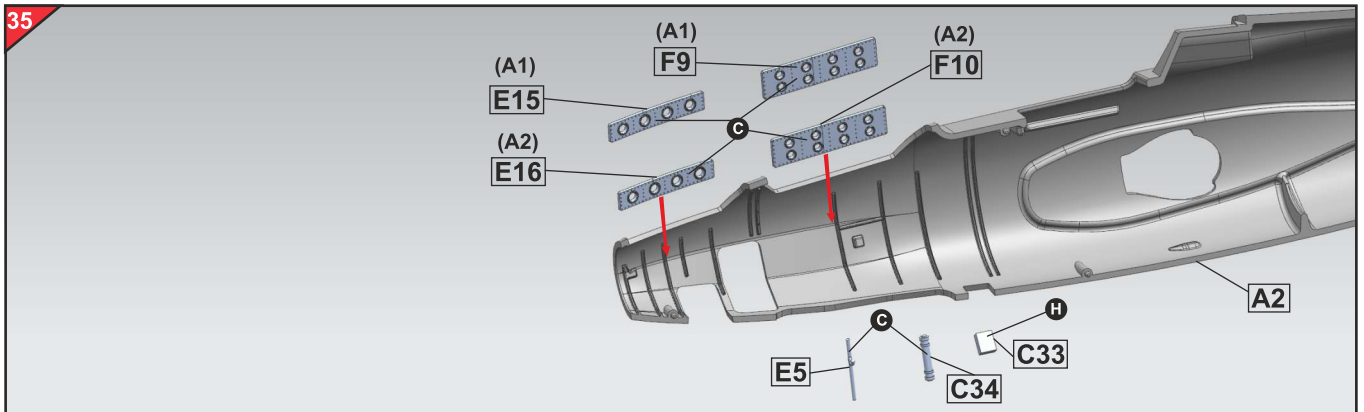
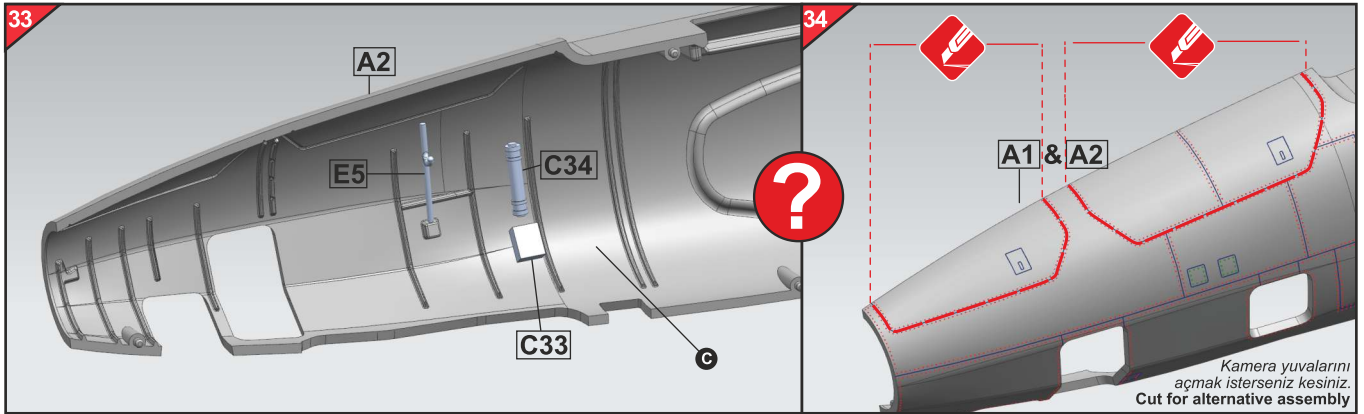
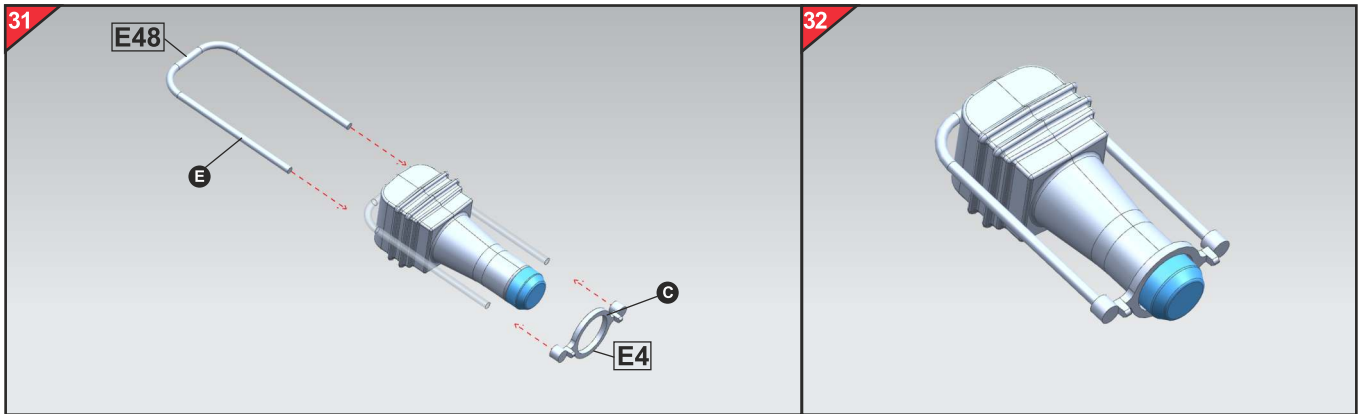
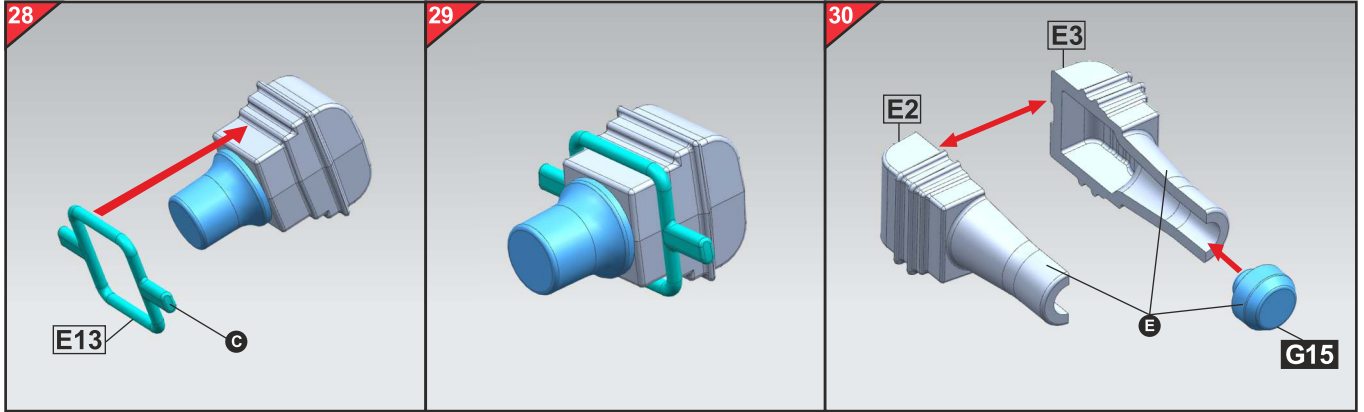
C: GUNZE H12 - HUMBROL 33 E: GUNZE H334 - HUMBROL 167 F: GUNZE H58 - HUMBROL 81



Bu sayfada tavsiye edilen boya kodları - The paint codes recommended on this page

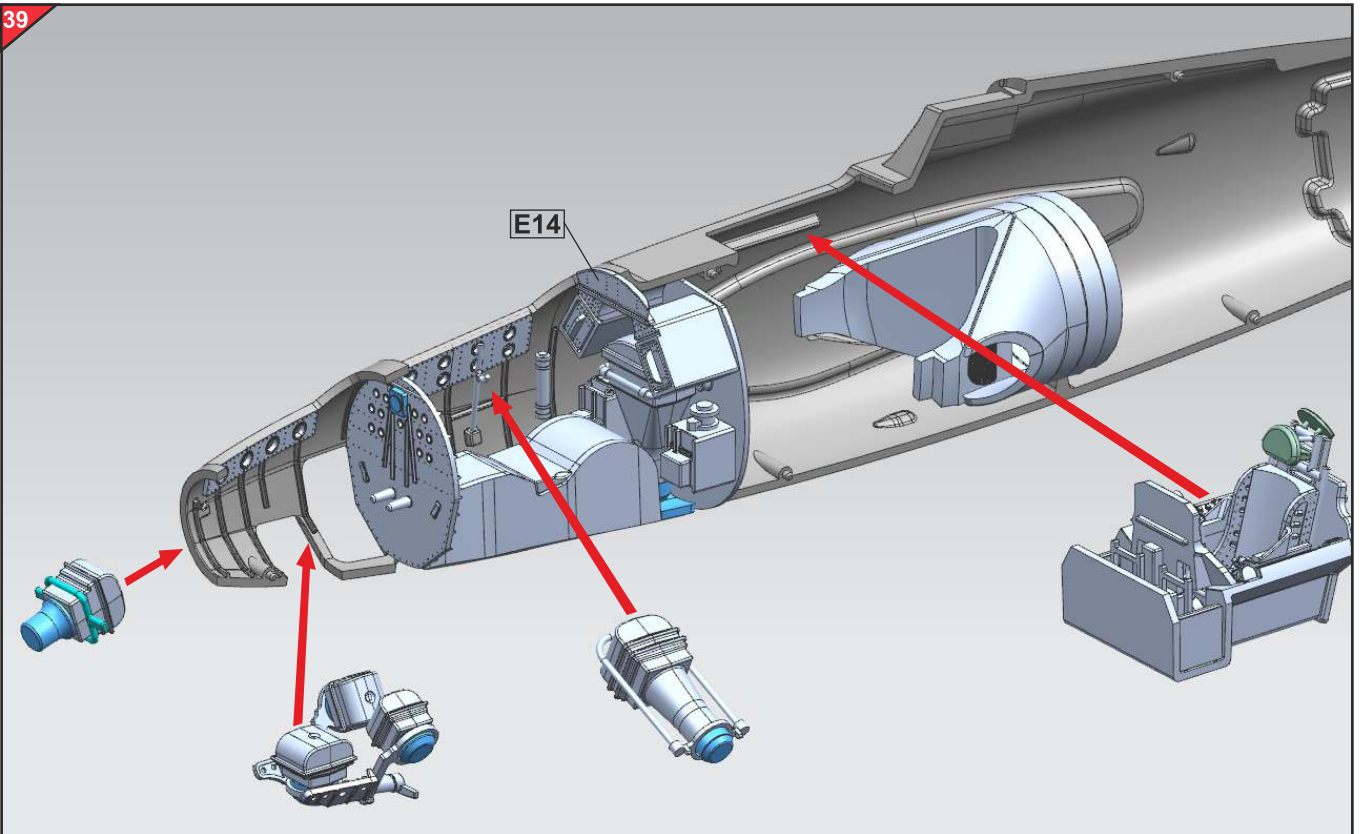
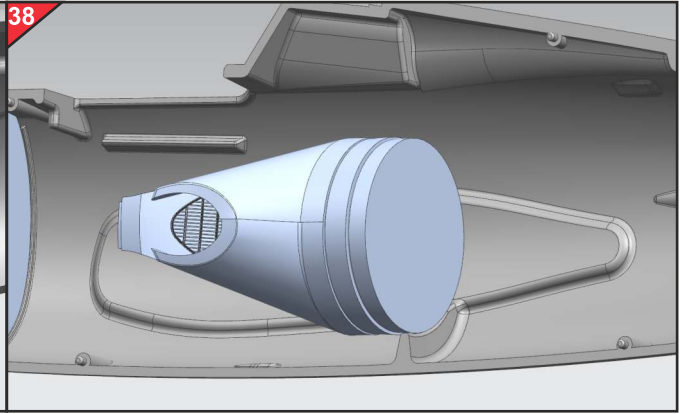
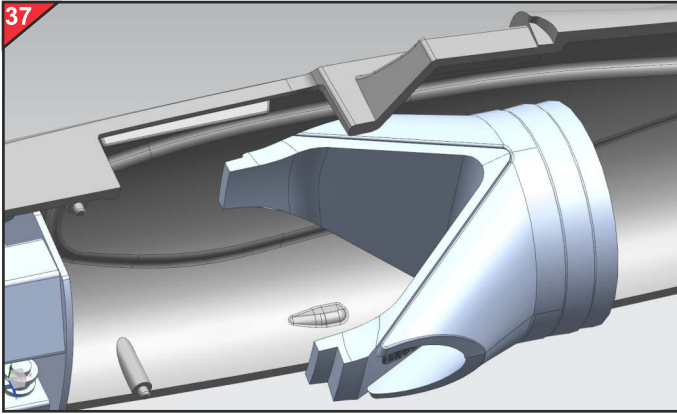
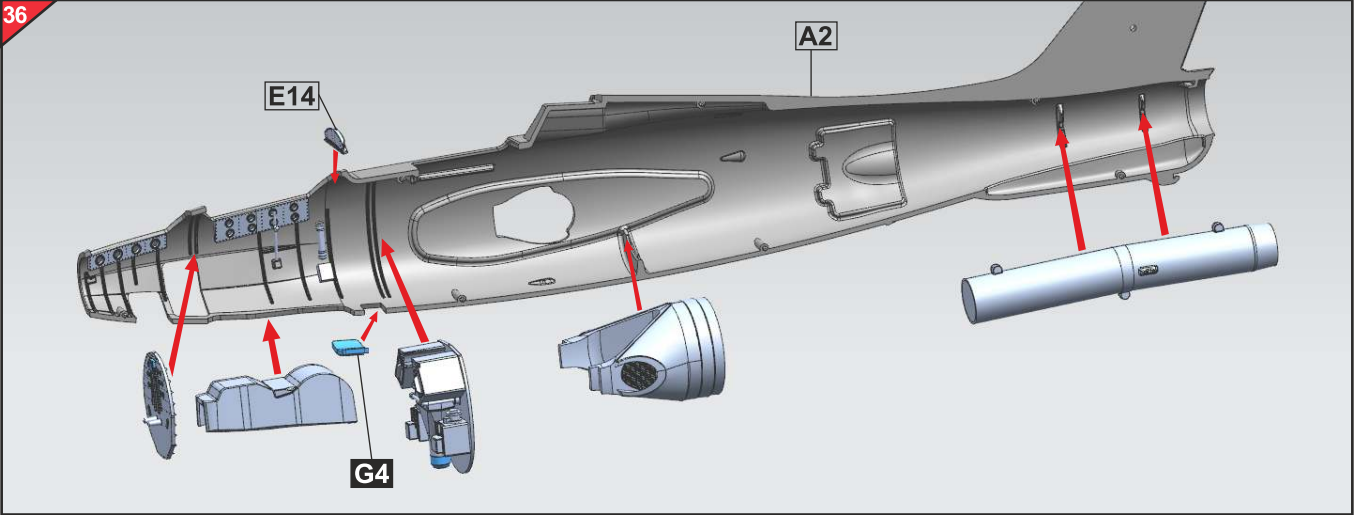


C: GUNZE H12 - HUMBROL 33 E: GUNZE H334 - HUMBROL 167 H: GUNZE H34 - HUMBROL 103

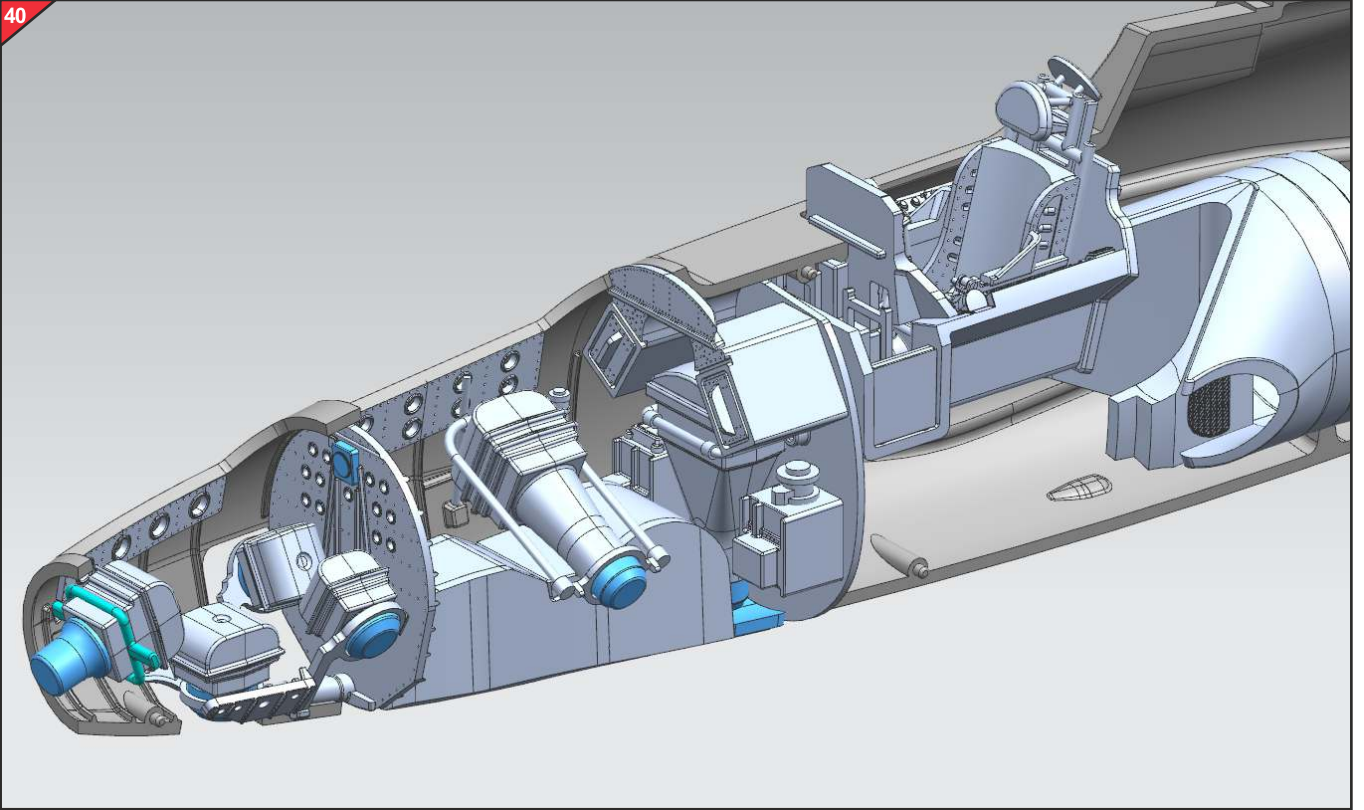




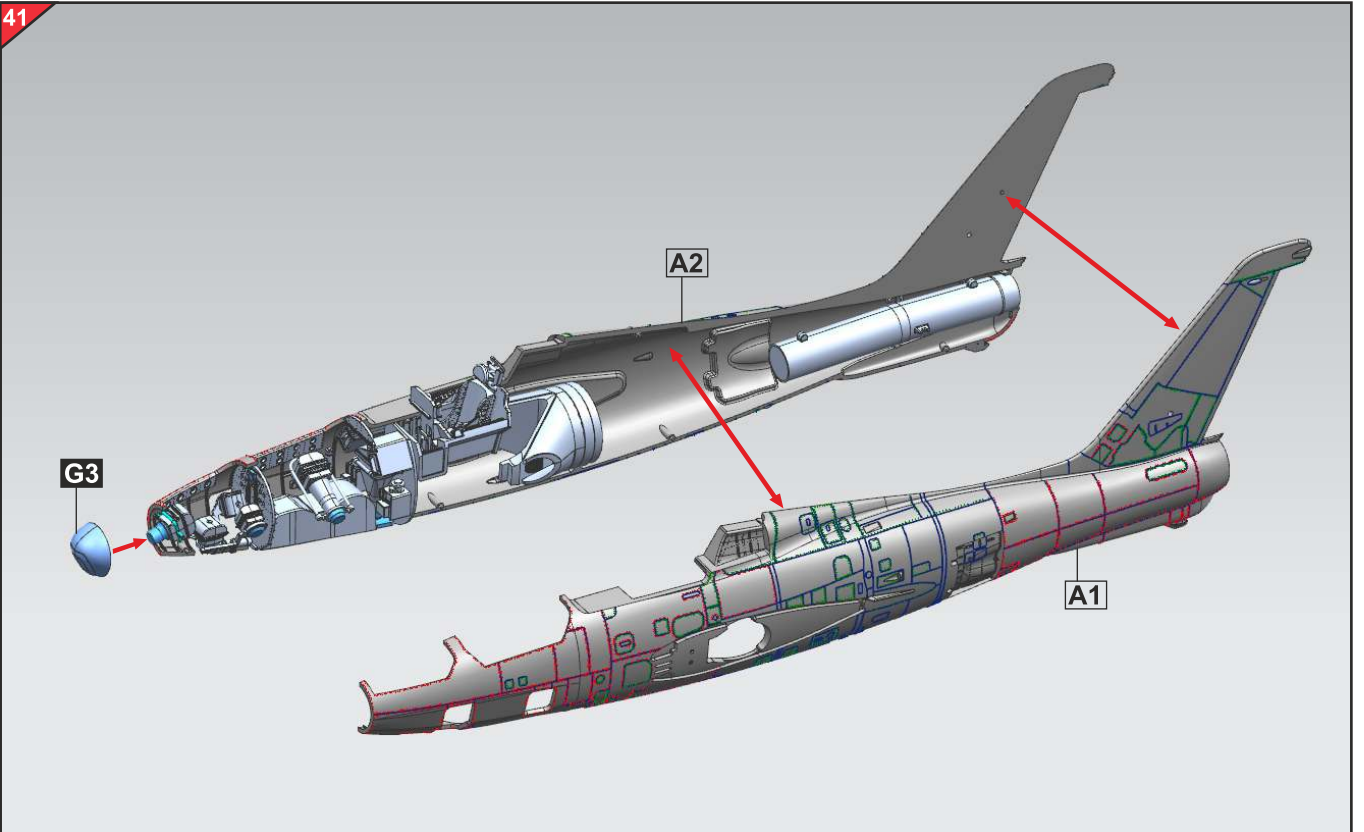
Tüm parçalar kullanıldığı takdirde ağırlık gerekmemektedir. | *There is no need for any weight in case all parts are used.*



40



41

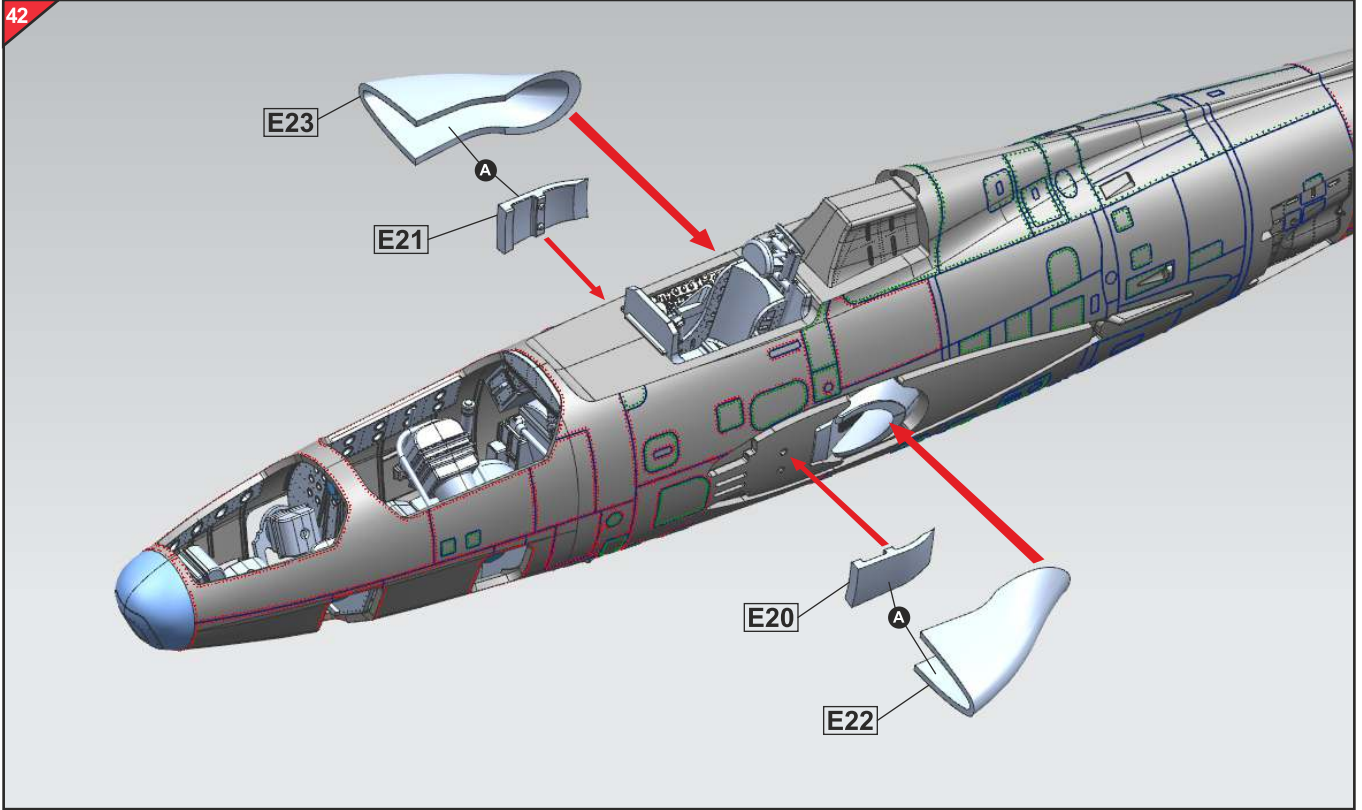


Bu sayfada tavsiye edilen boya kodları - The paint codes recommended on this page

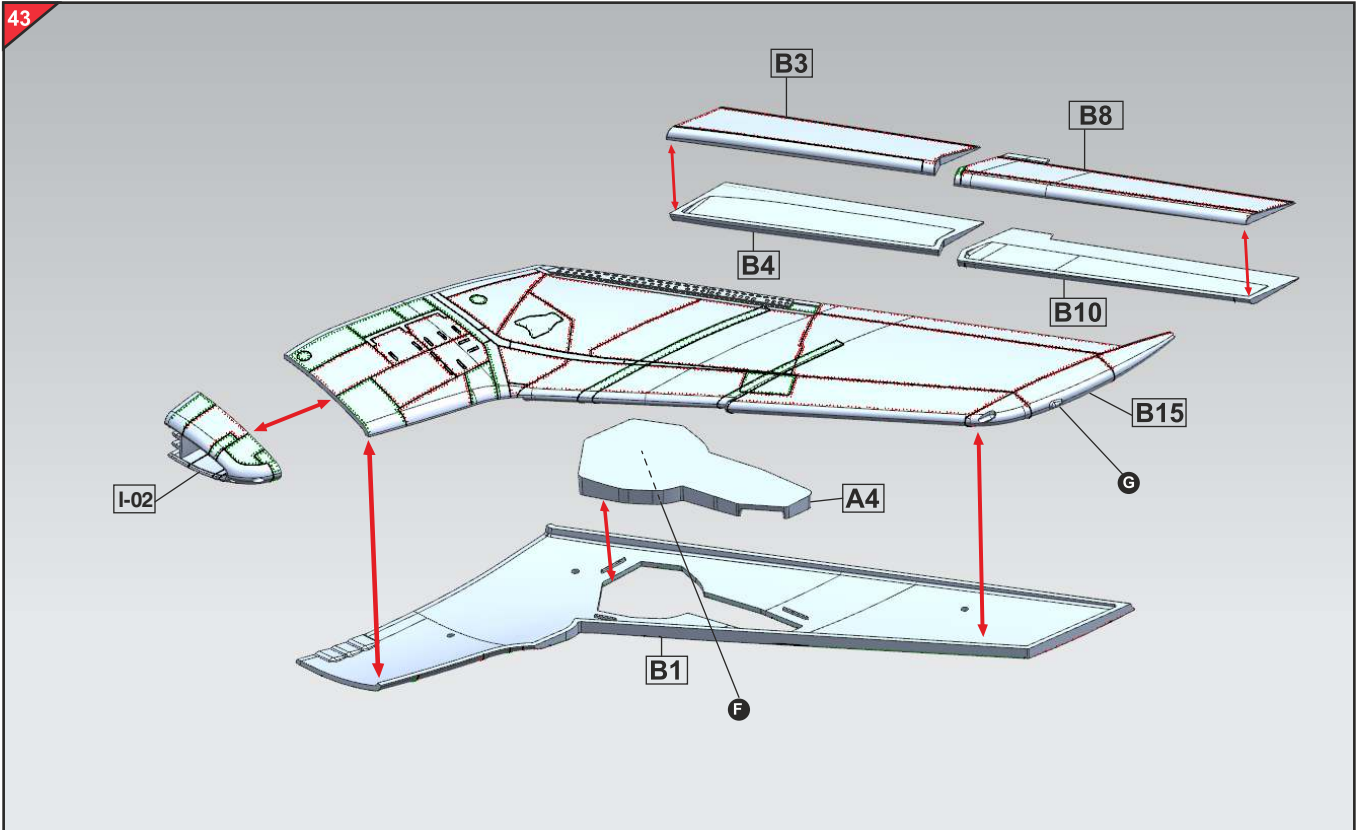


A: GUNZE H218 - HUMBROL 56 G: GUNZE H90 - HUMBROL 1321 F: GUNZE H58 - HUMBROL 81

42



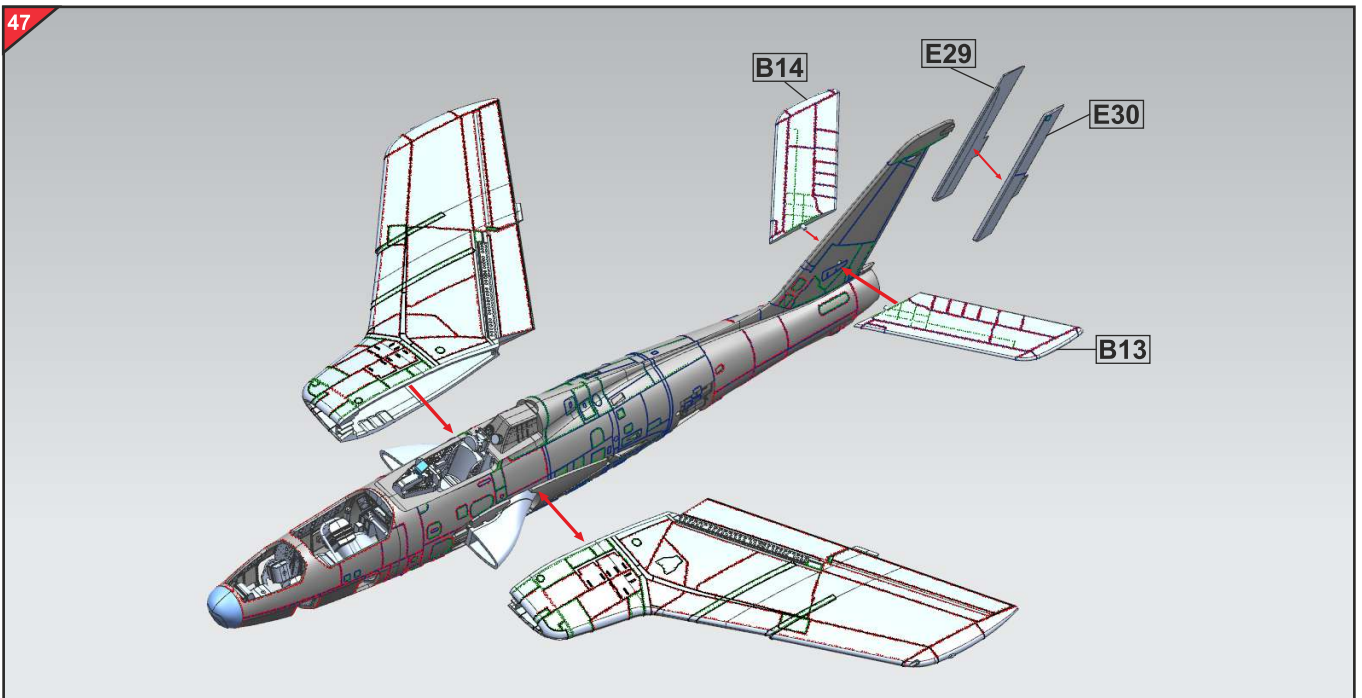
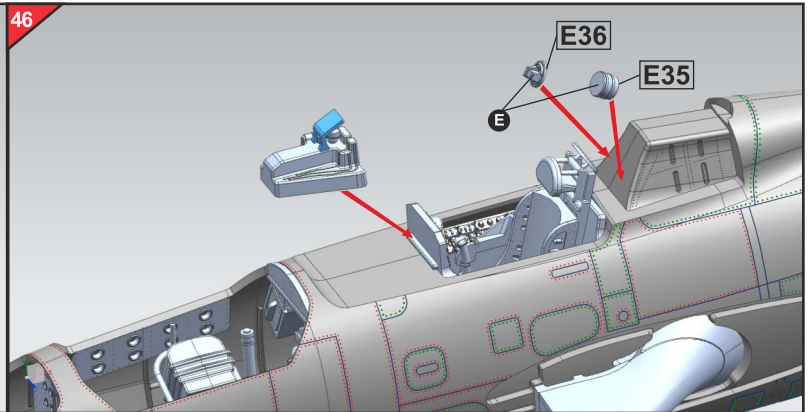
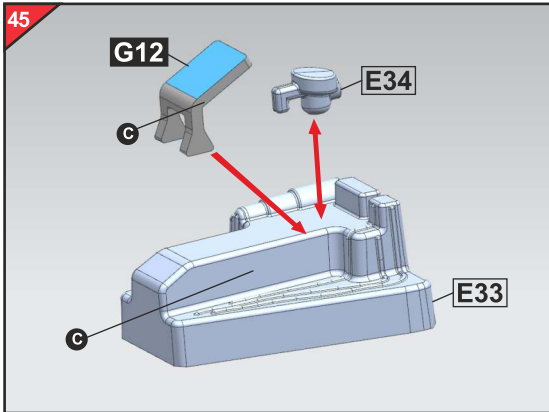
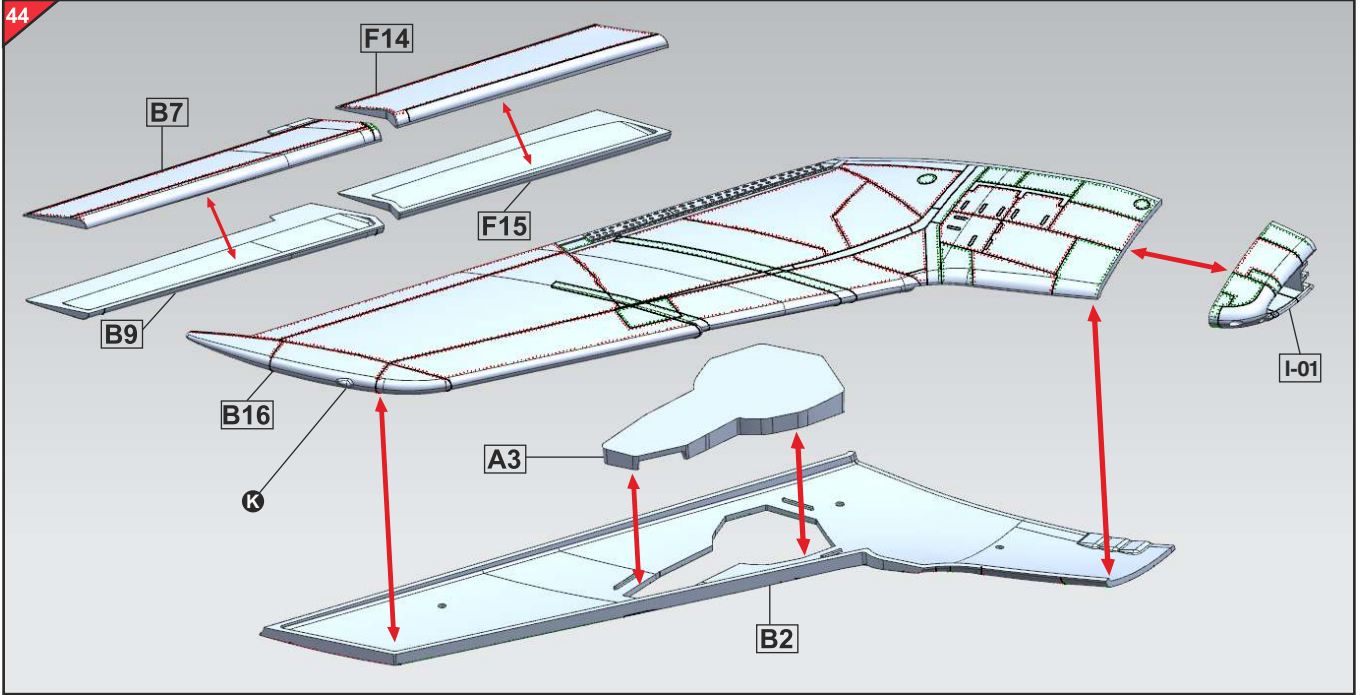
43



Bu sayfada tavsiye edilen boya kodları - The paint codes recommended on this page



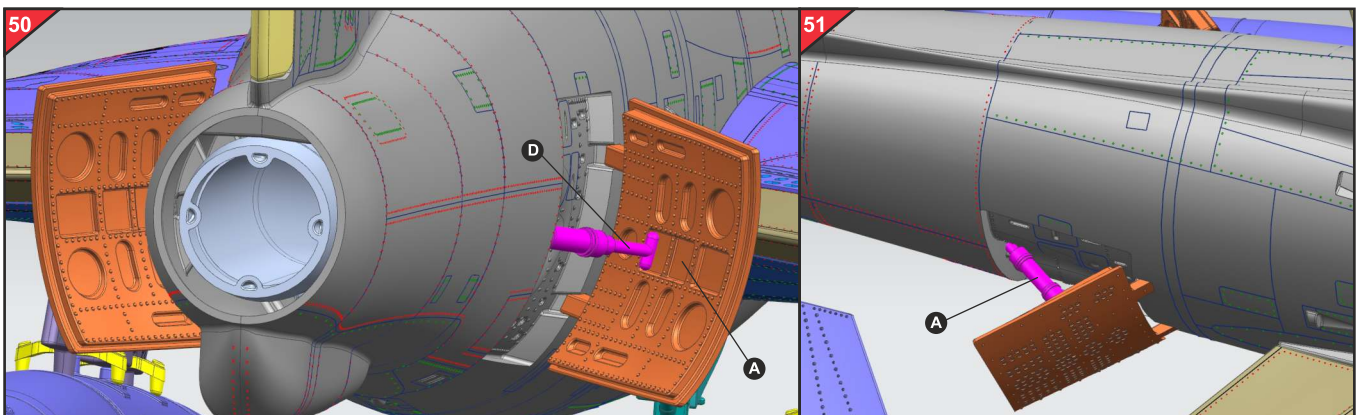
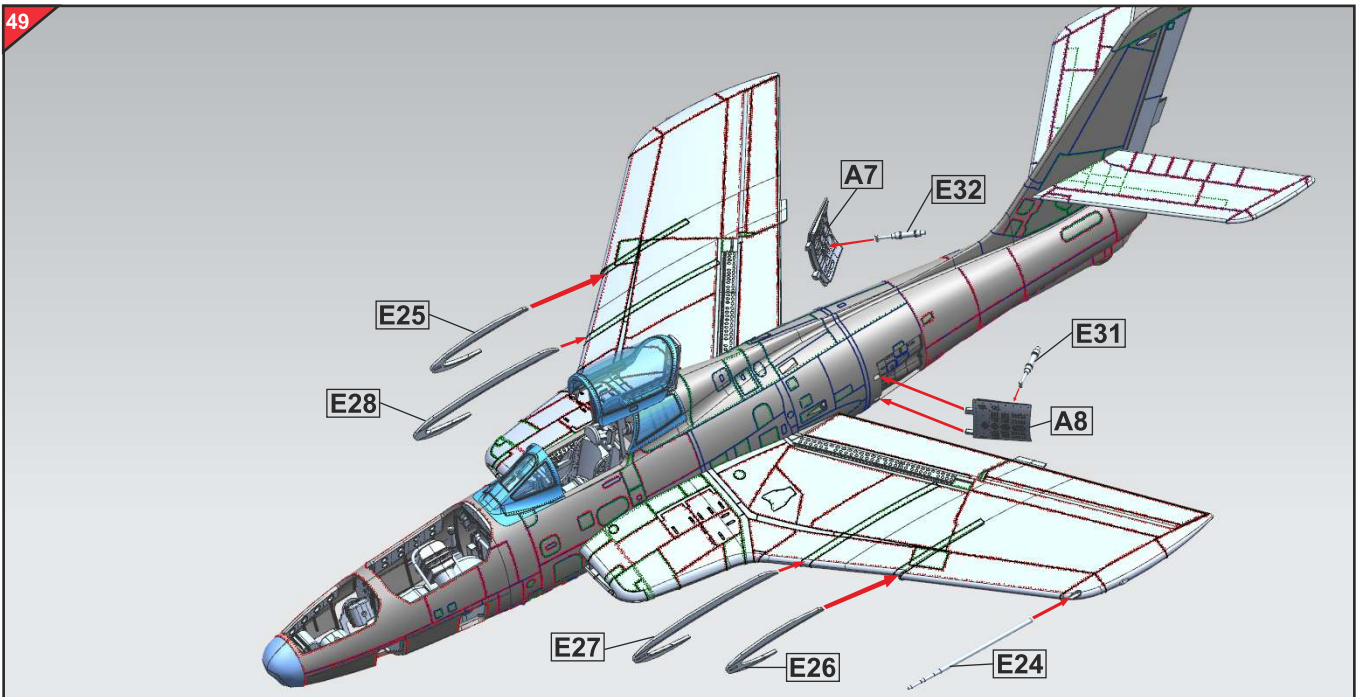
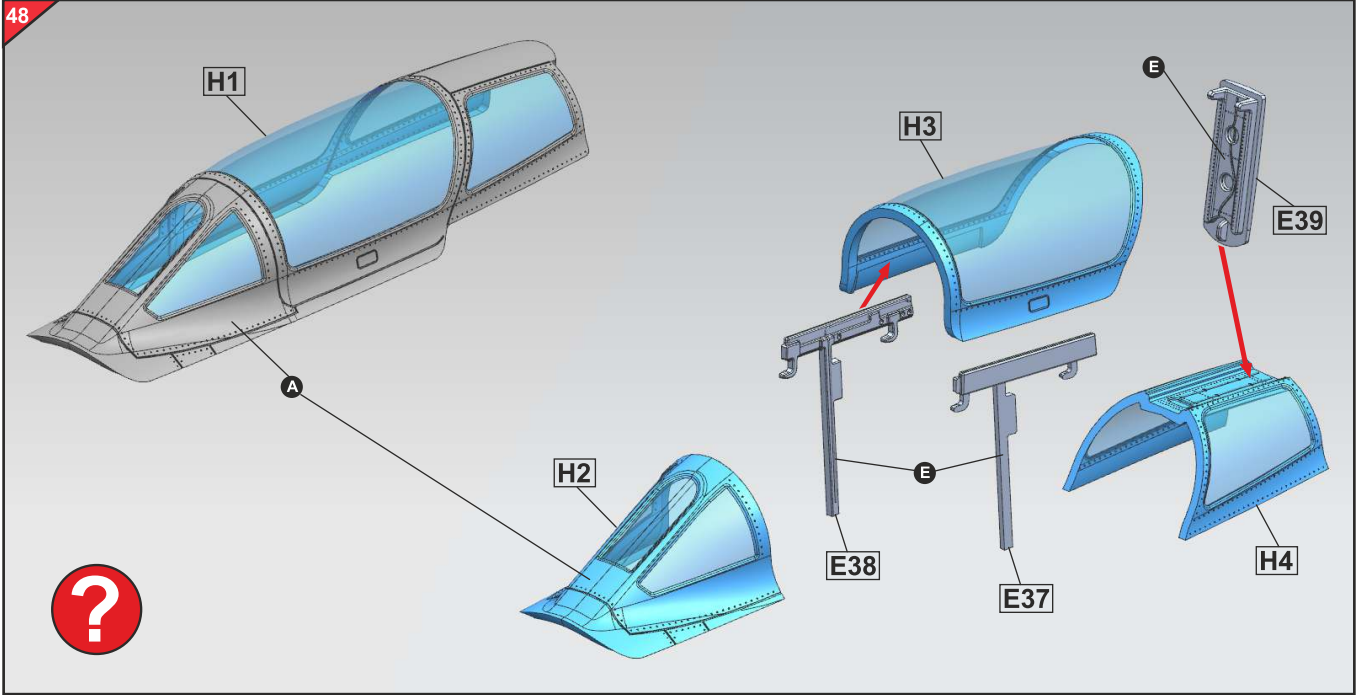
C: GUNZE H12 - HUMBROL 33 E: GUNZE H334 - HUMBROL 167 K: GUNZE H93 - HUMBROL 91320



Bu sayfada tavsiye edilen boya kodları - The paint codes recommended on this page



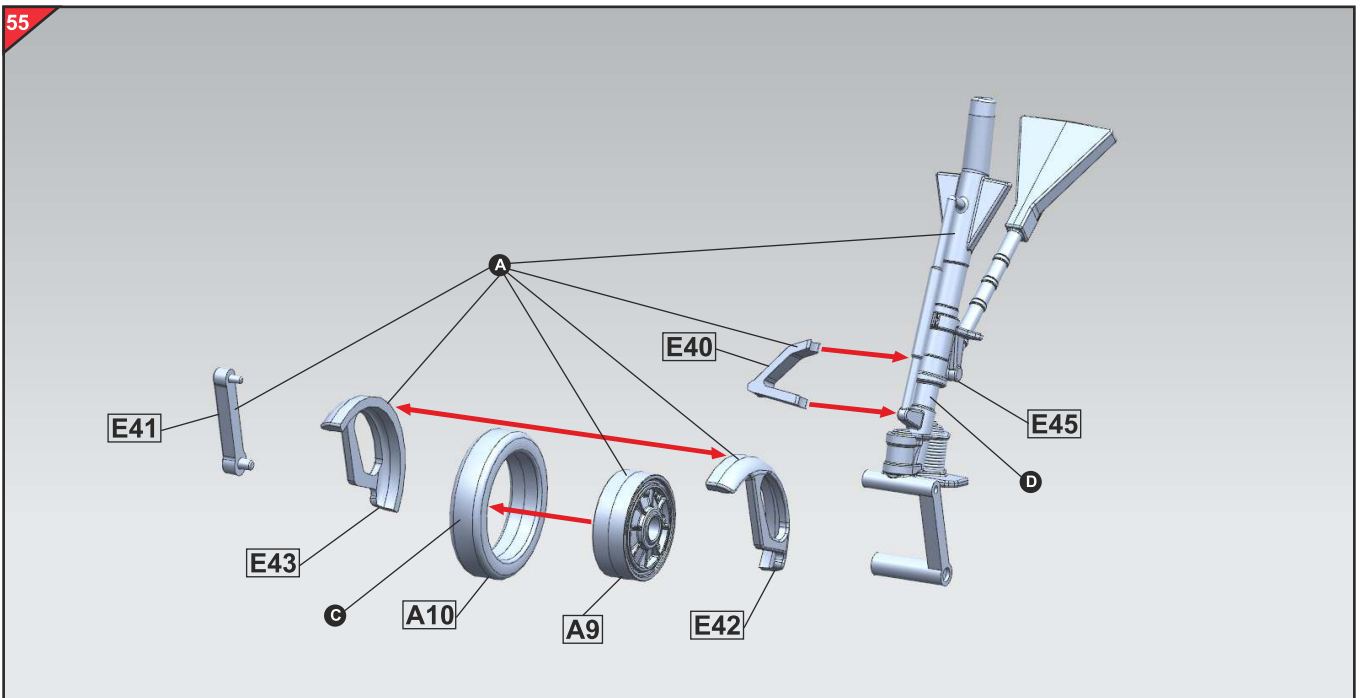
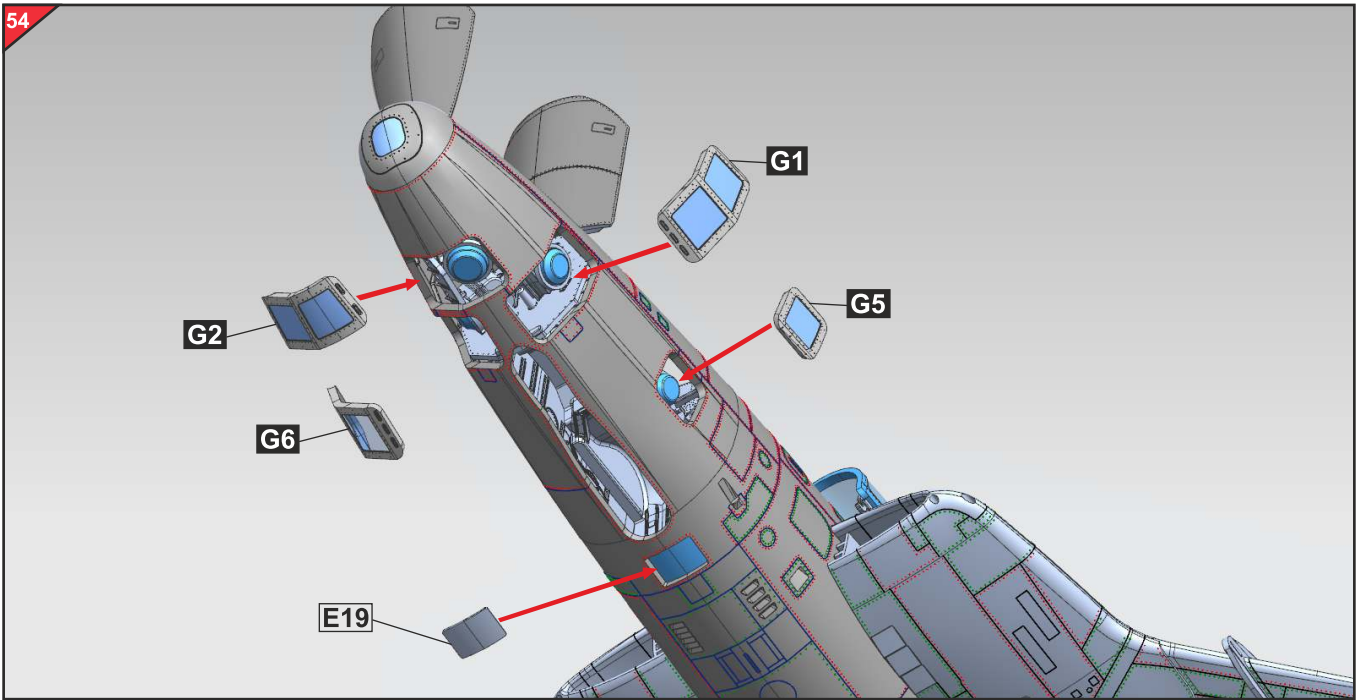
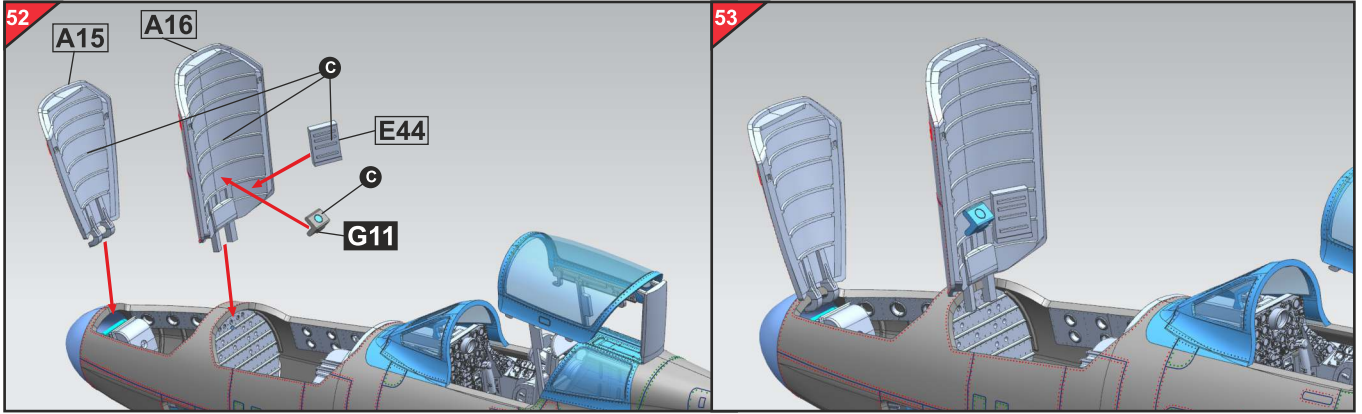
A: GUNZE H218 - HUMBROL 56 D: GUNZE H211 - HUMBROL 11 E: GUNZE H334 - HUMBROL 167



Bu sayfada tavsiye edilen boya kodları - The paint codes recommended on this page



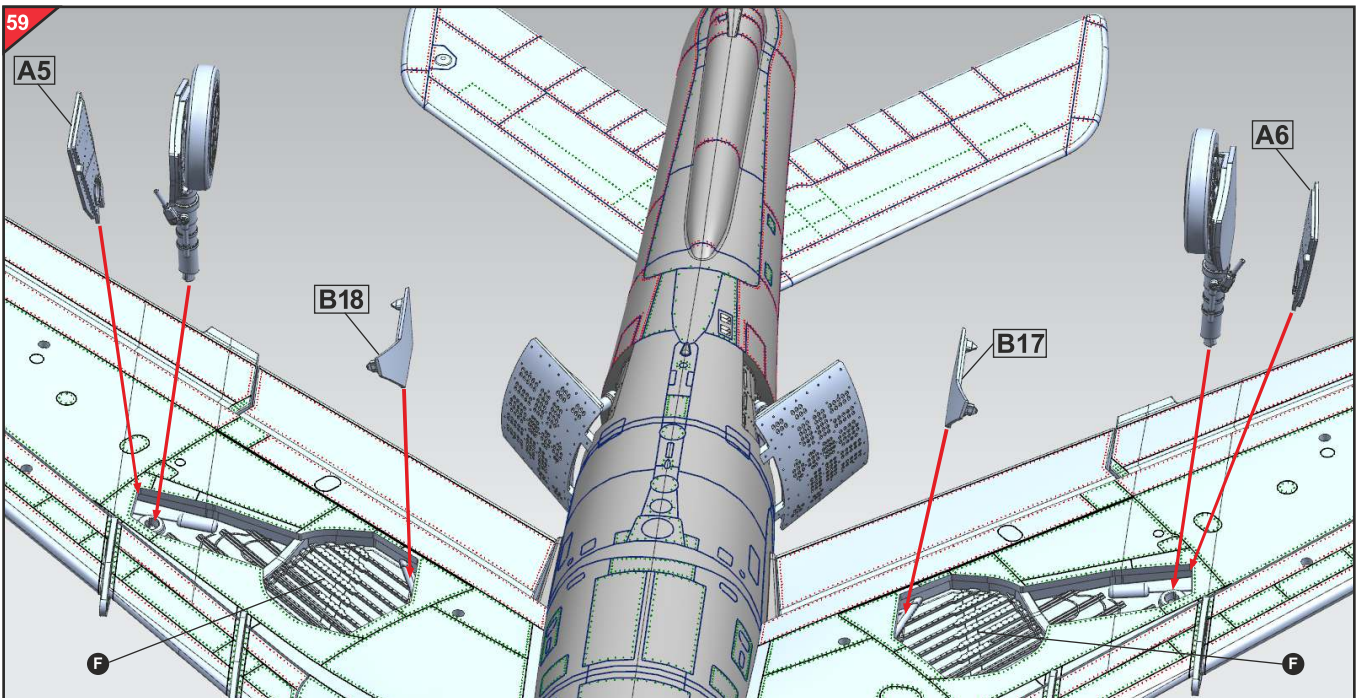
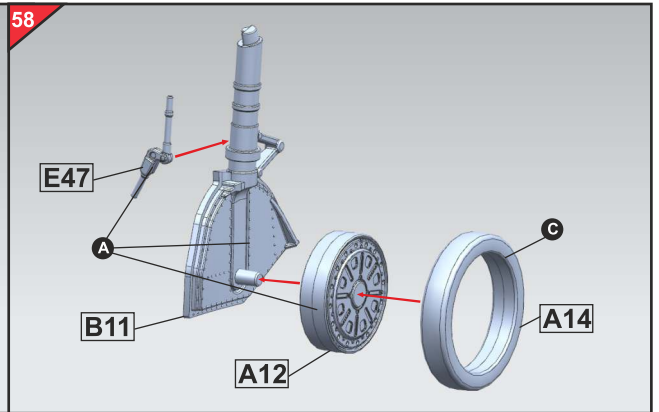
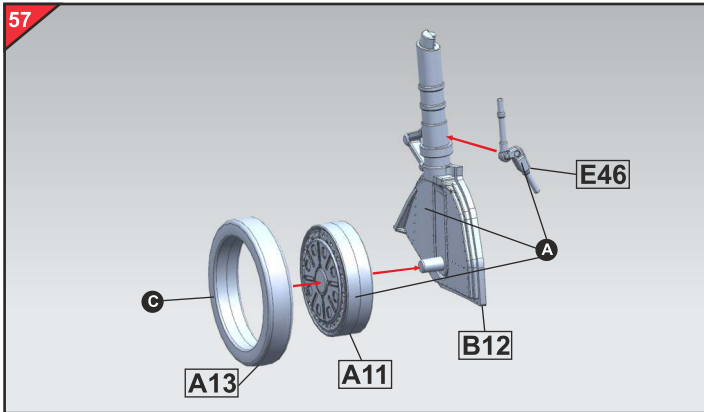
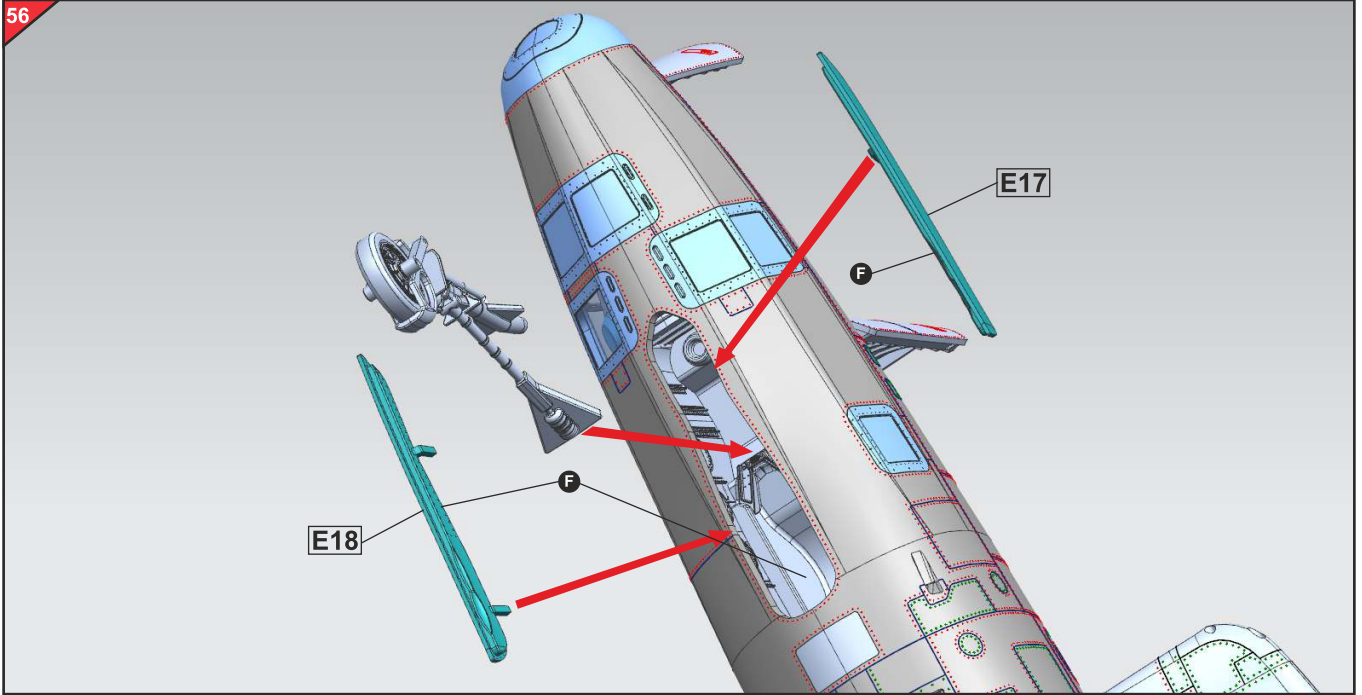
A: GUNZE H218 - HUMBROL 56 C: GUNZE H12 - HUMBROL 33 D: GUNZE H211 - HUMBROL 11

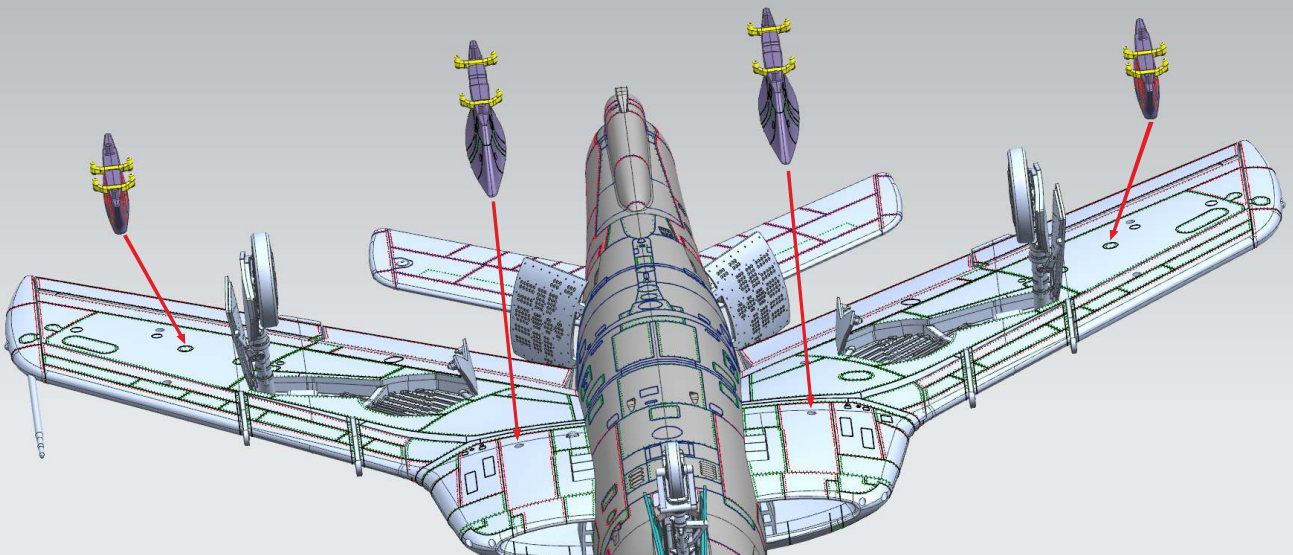
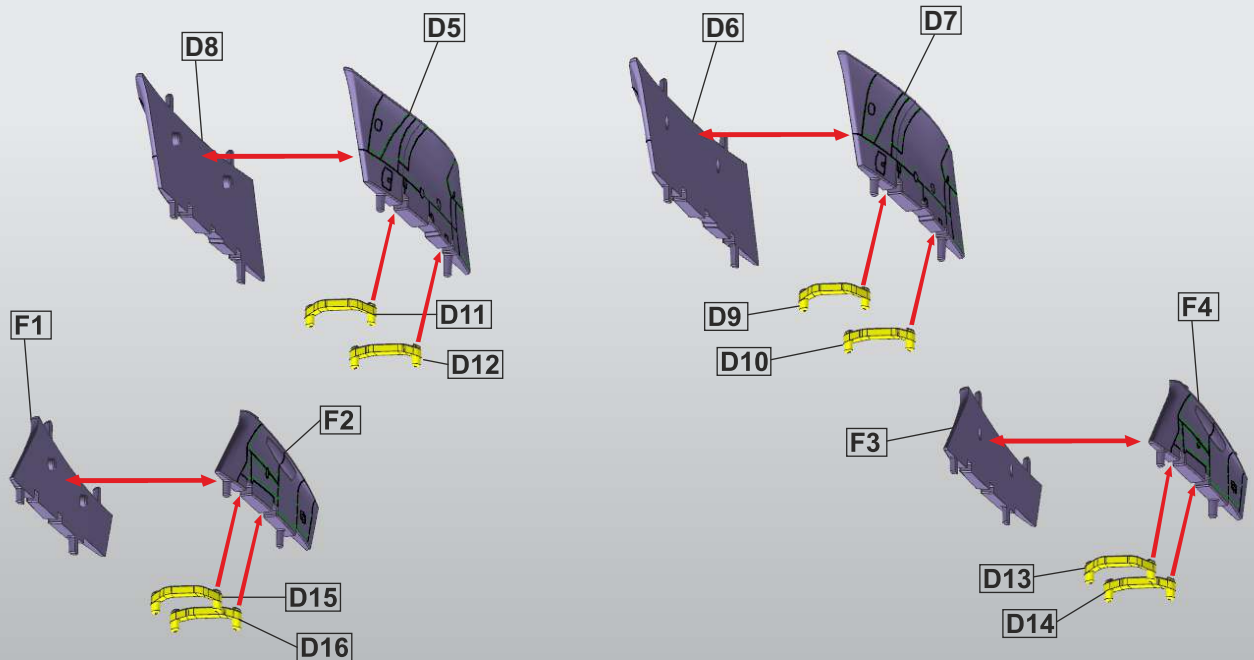


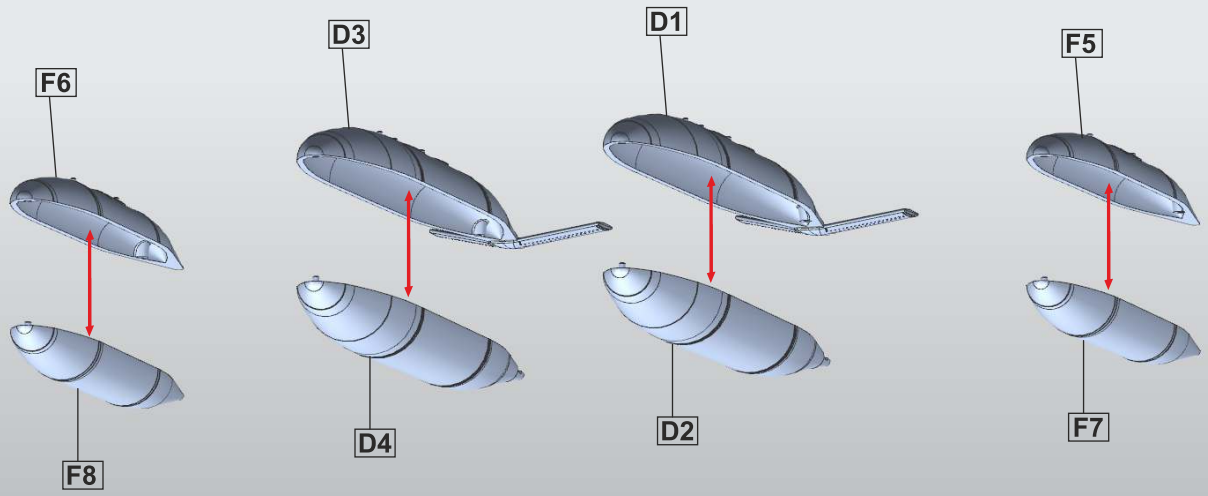
Bu sayfada tavsiye edilen boya kodları - The paint codes recommended on this page



A: GUNZE H218 - HUMBROL 56 C: GUNZE H12 - HUMBROL 33 F: GUNZE H58 - HUMBROL 81









Adnan Kahveci Mah. Avrupa Cad. Kubist Park
No: 108 Floor: 3 Unit: 200 34528 Beykent
Beylikduzu - Istanbul - Turkey
Tel: +90 212 856 01 52 (Only Turkish Language)

© 2016 TANMODEL
www.tanmodel.com
Made in Turkey

RF-84F THUNDERFLASH

