

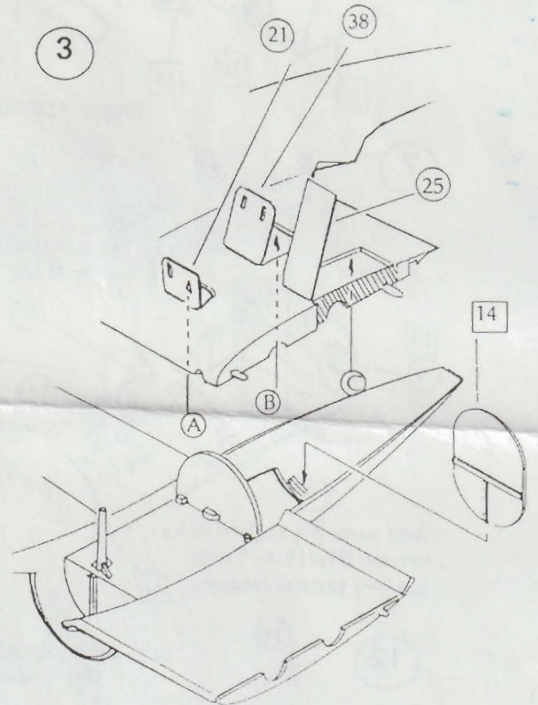
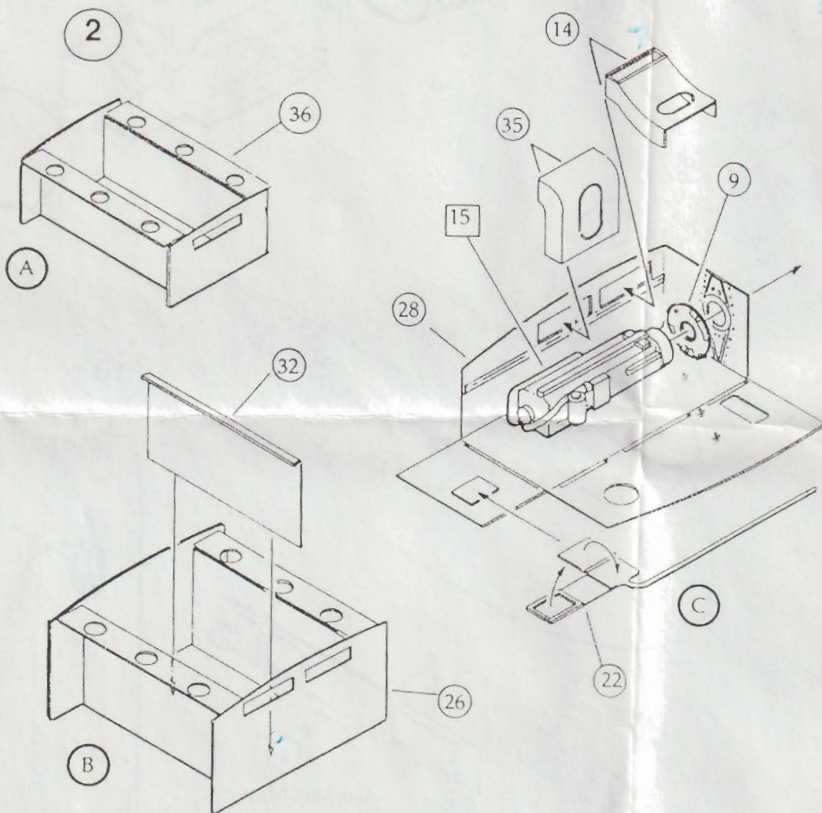
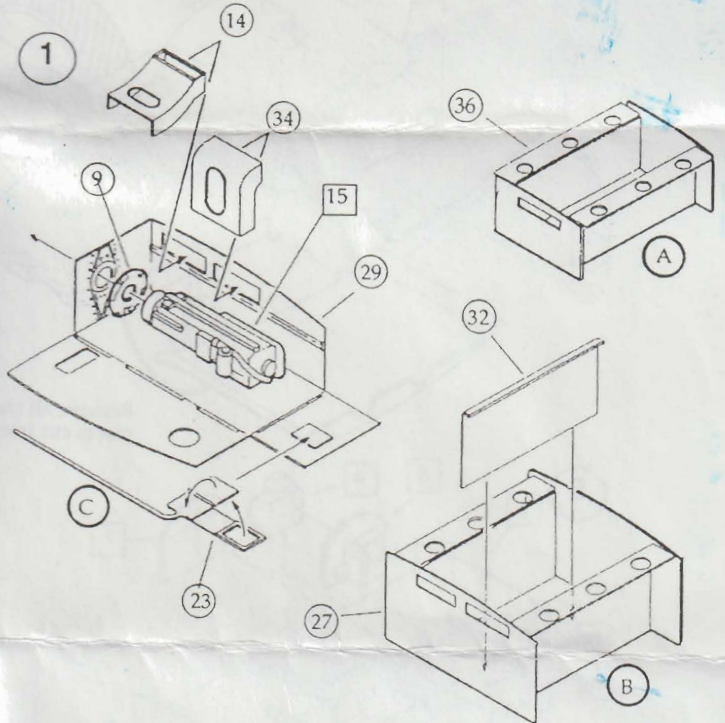
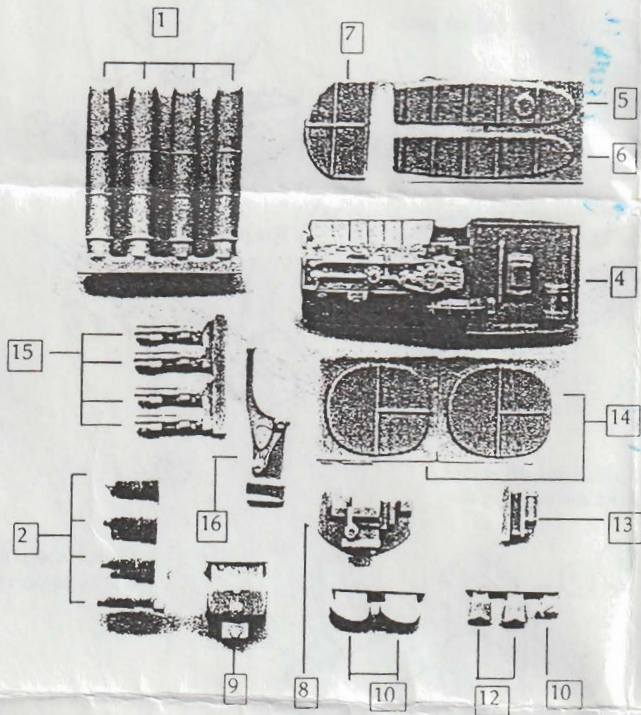


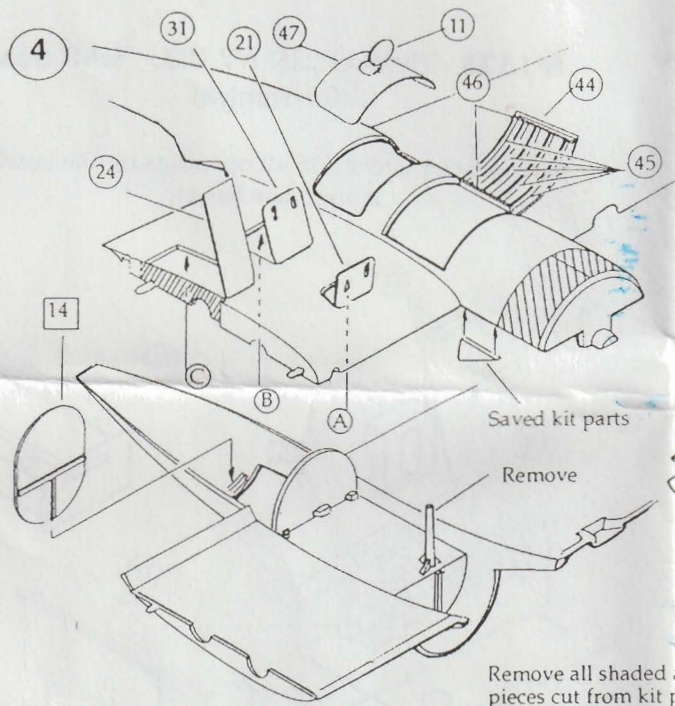
VERLINDEN PRODUCTIONS

811 Lone Star Drive
O'Fallon MO 63366

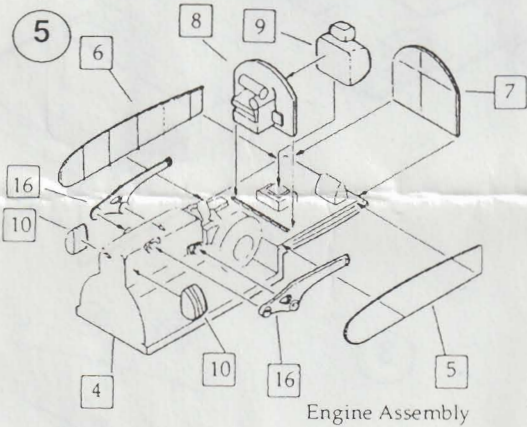
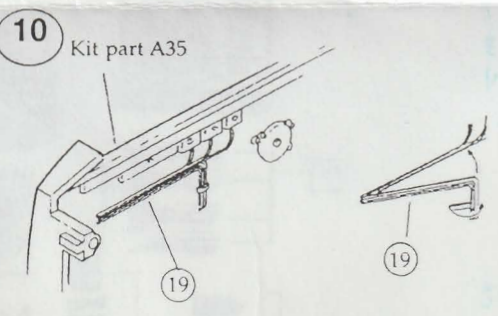
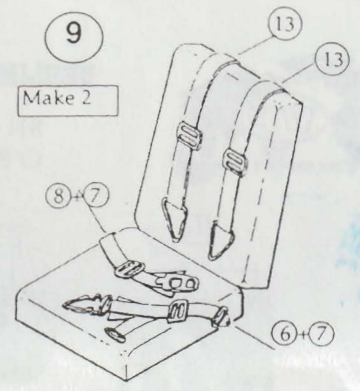
N°1323 Heinkel 219 A-7 UHU 1:48 Scale
(for Tamiya)

Use parts 20 for latches on all openings on the cowl doors, Ammo hatches etc.

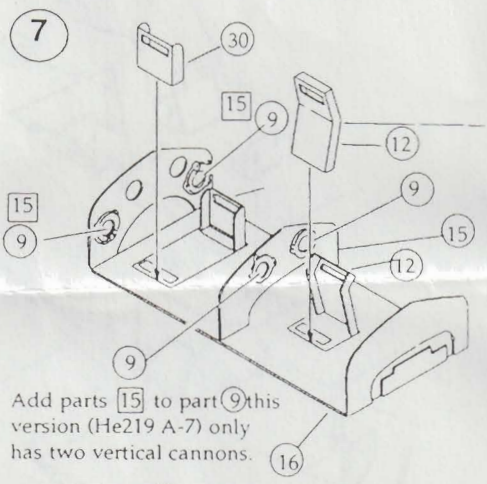
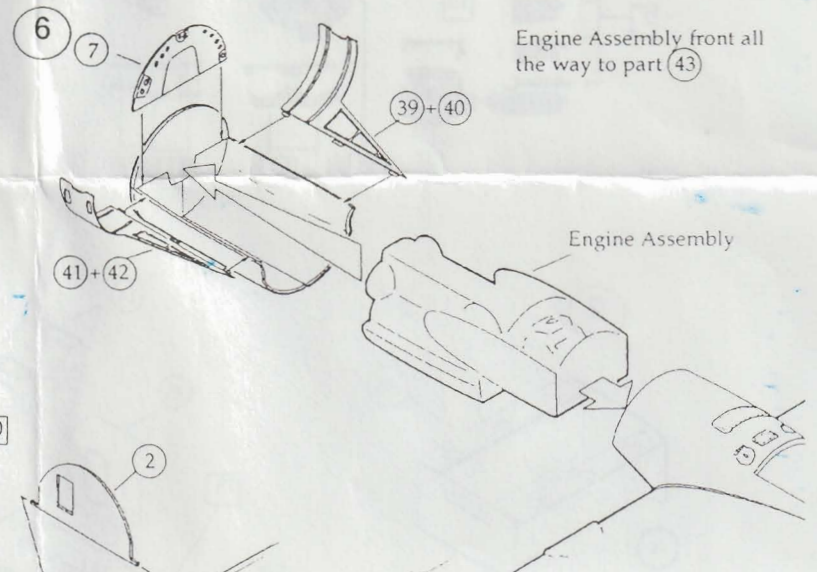




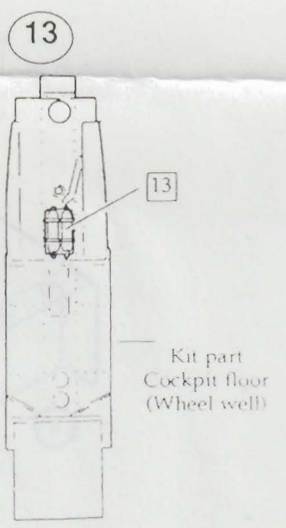
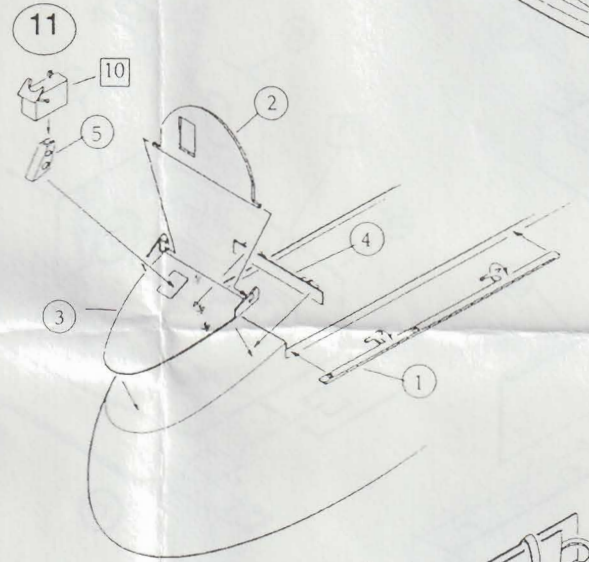
Remove all shaded areas carefully some pieces cut from kit parts are used again.



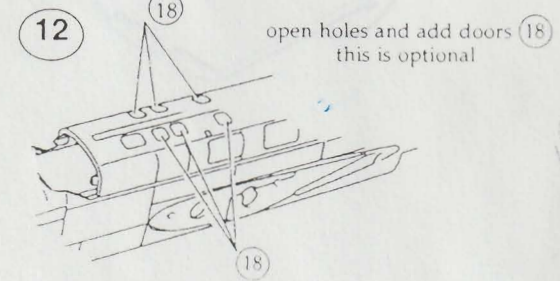
Engine Assembly



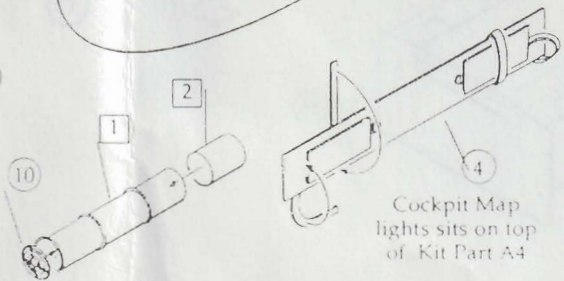
Add parts 15 to part 9 this version (He219 A-7) only has two vertical cannons.



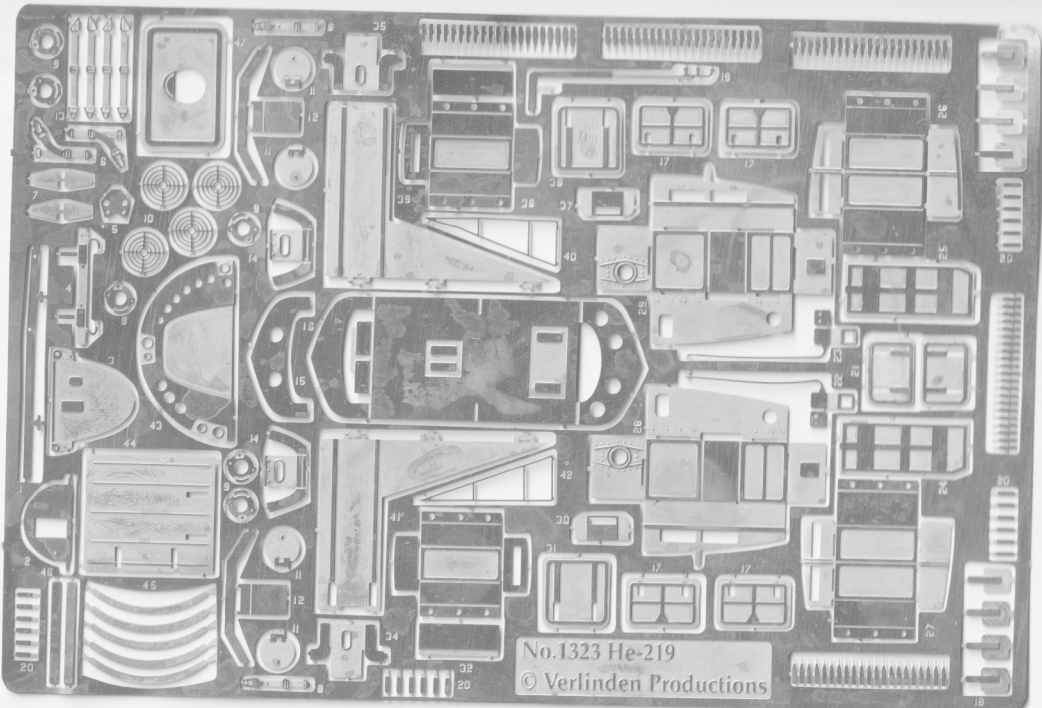
Kit part Cockpit floor (Wheel well)



open holes and add doors 18 this is optional



Cockpit Map lights sits on top of Kit Part A4



No.1323 He-219
© Verlinden Productions