

1/35 MILITARY MINIATURE VEHICLE UPGRADE SERIES PE35509

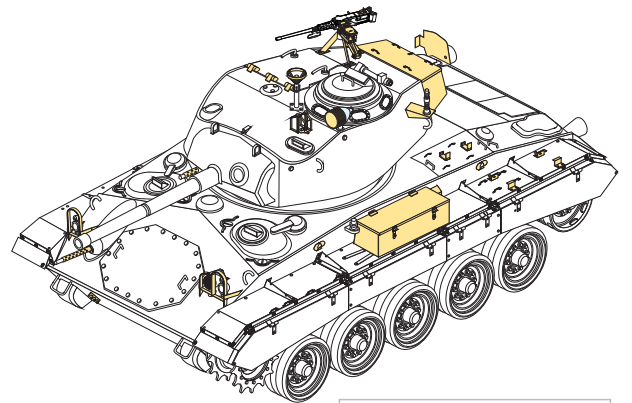
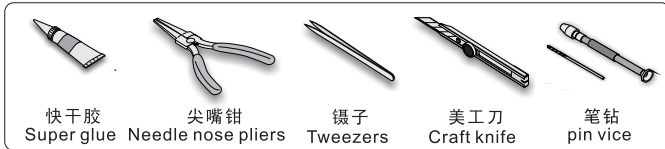
Technical assistance provided by Mr.Zhong Ming Zhou

WWII British Army M24 Chaffee Light Tank basic

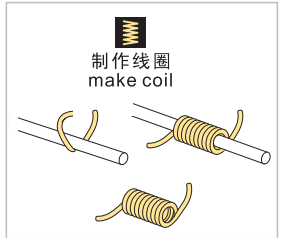
二战英军M24霞飞轻型坦克基本改造件

[For Bronco 35068]

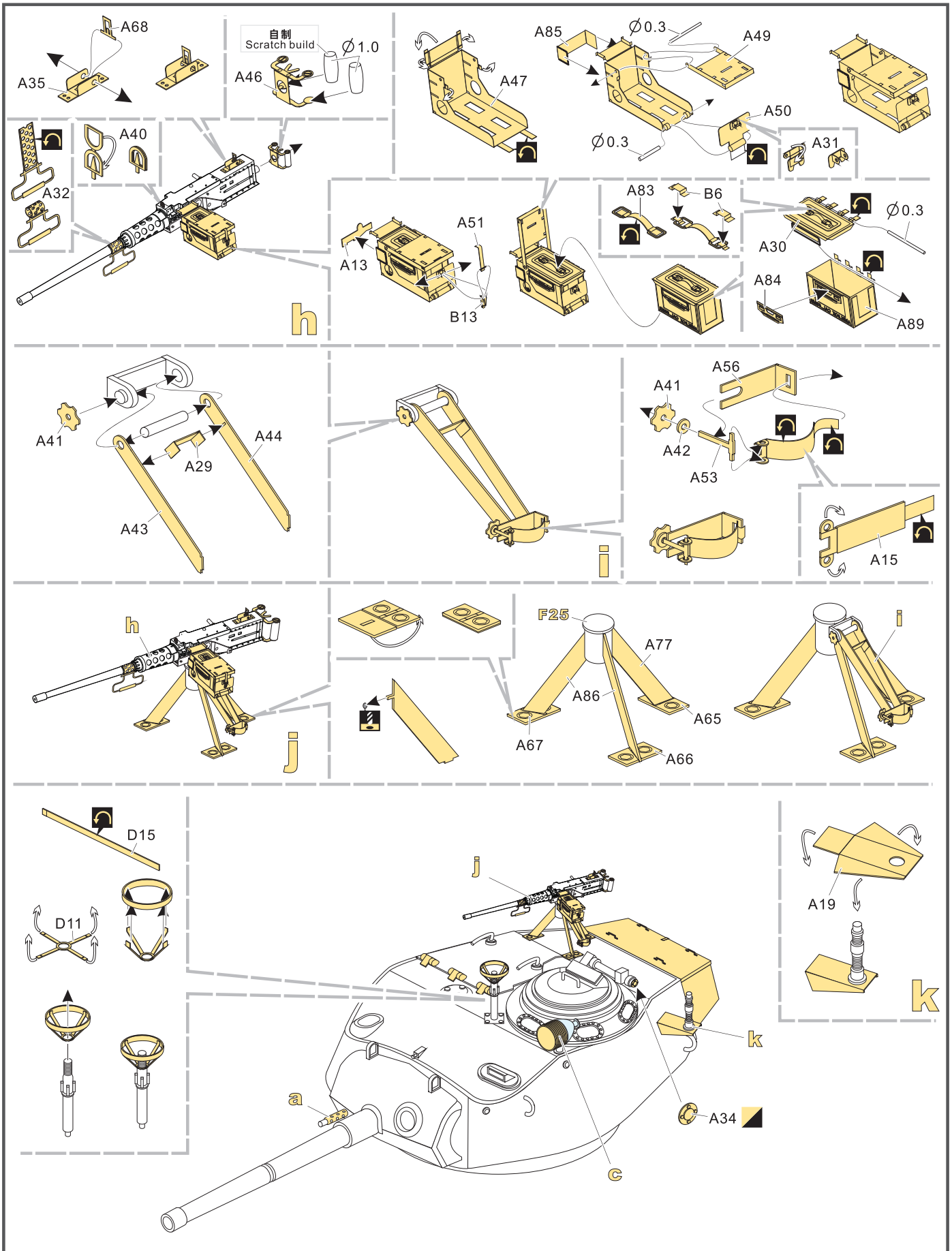
推荐使用工具 RECOMMENDED TOOLS



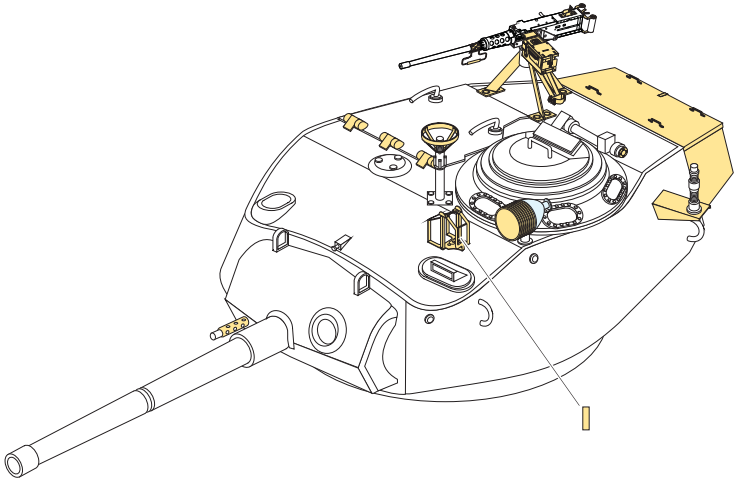
- ↑
安装
install
- ↩
折叠
bend
- A1
改造件零件编号
PE/resin part number
- B12
原零件编号
kit part number
- C22
被替换的原零件编号
replaced kit part number
- ↓
用尖端在凹槽处冲压
use penpoint to press on the dent
- ✂
切除
remove
- ◀▶
另一侧相同制作
repeat on opposite side
- ⤵
弧度卷曲
radial bending
- x2
制作若干组
multiple assembly
- ↔
选择安装
alternative
- ⚪
钻孔
drill
- 用胶棒制作
make from plastic rod

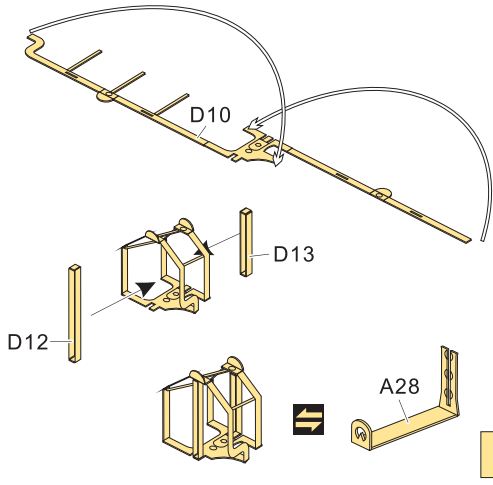


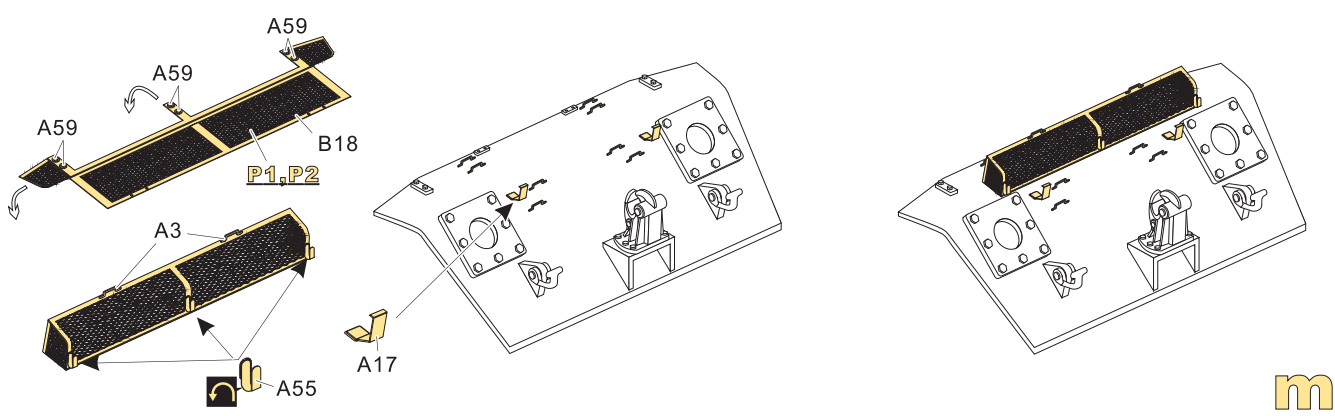
1/35 MILITARY MINIATURE VEHICLE UPGRADE SERIES PE35509



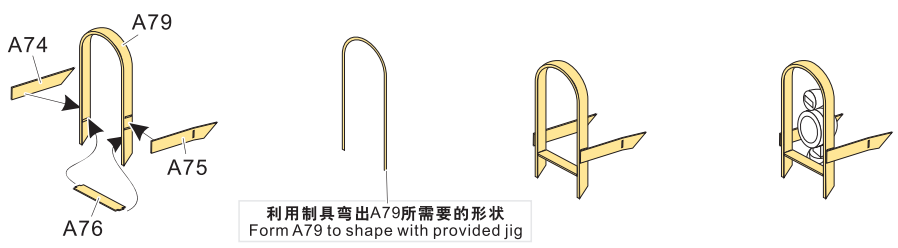
1/35 MILITARY MINIATURE VEHICLE UPGRADE SERIES PE35509





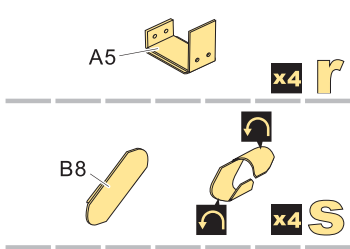


m

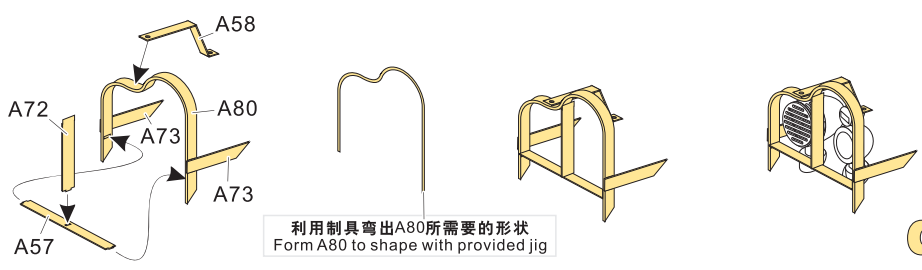


利用制具弯出A79所需要的形状
Form A79 to shape with provided jig

p

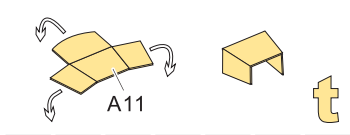


x4 **r**
x4 **S**

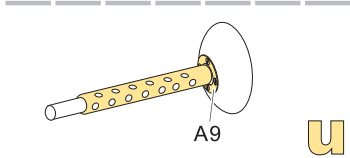


利用制具弯出A80所需要的形状
Form A80 to shape with provided jig

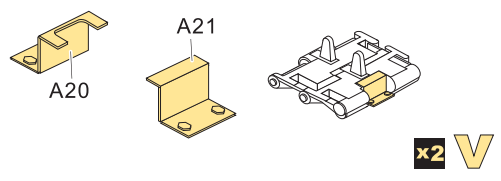
q




t



u

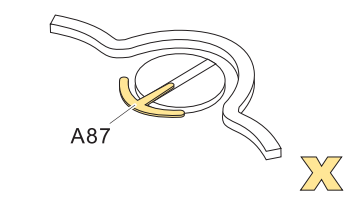


x2 **V**



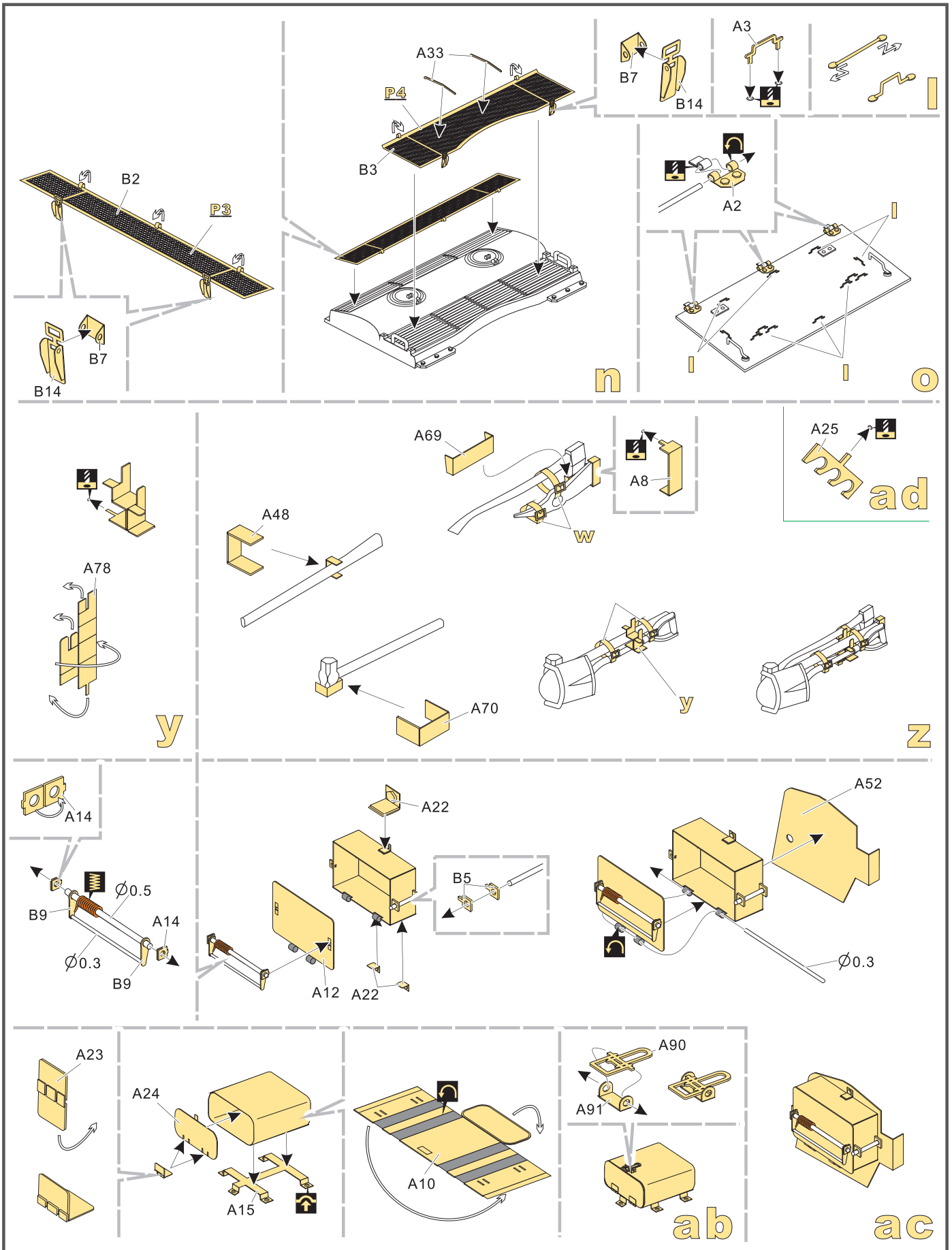
自行选择使用绑带
Optional straps may
Be installed

w

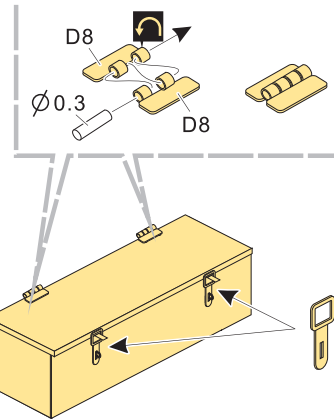
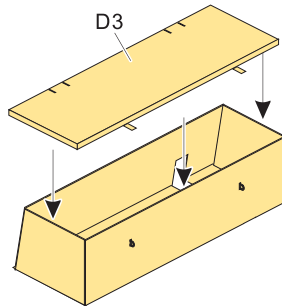
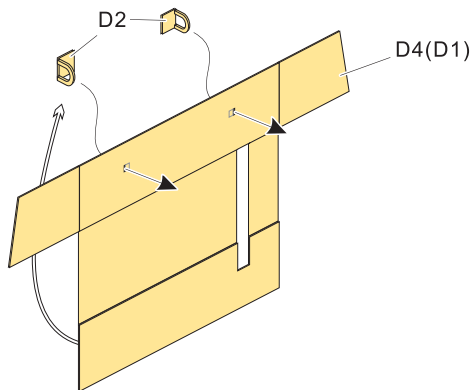
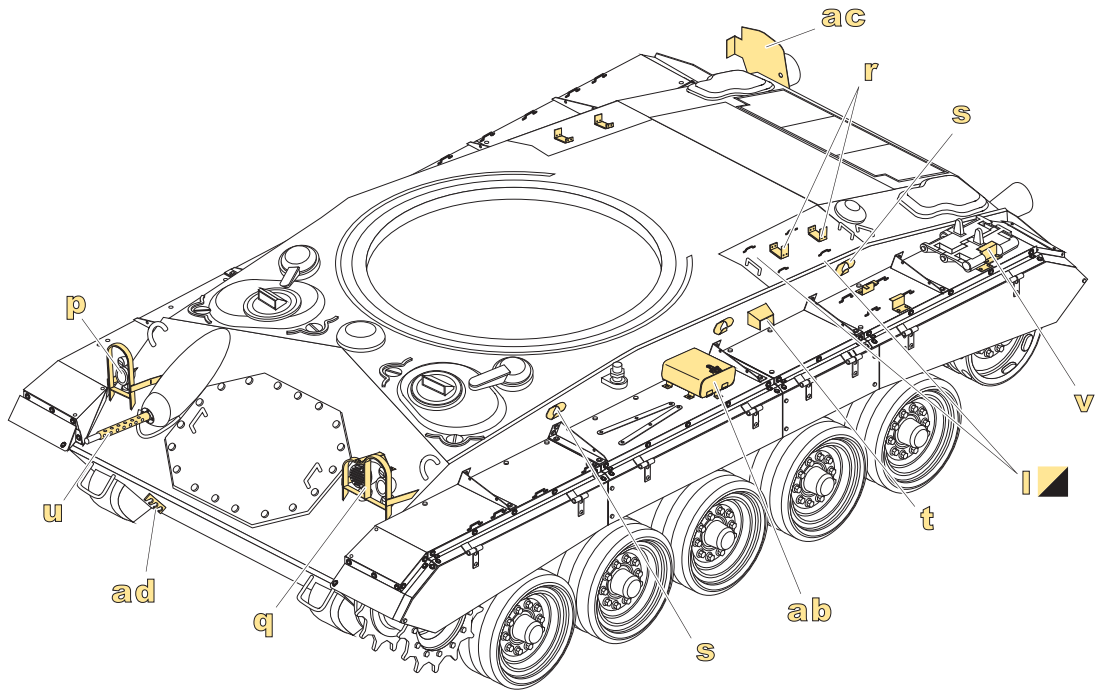


x

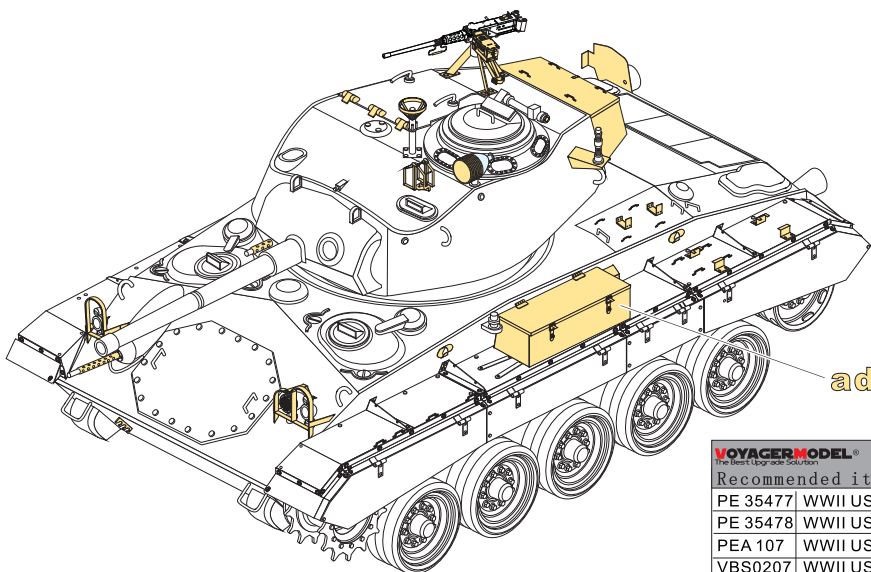
1/35 MILITARY MINIATURE VEHICLE UPGRADE SERIES PE35509



1/35 MILITARY MINIATURE VEHICLE UPGRADE SERIES PE35509



ad



VOYAGERMODEL® The Best Upgrade Solution	无微不至 极尽享受
Recommended item	
PE 35477	WWII US M24 Chaffee (Early Prod) Light Tank basic
PE 35478	WWII US M24 Chaffee (Early Prod) Light Tank Fenders and Skirts
PEA 107	WWII US Sherman Series OVM
VBS0207	WWII US Vehicle Mounted M2 Browning Machine Gun