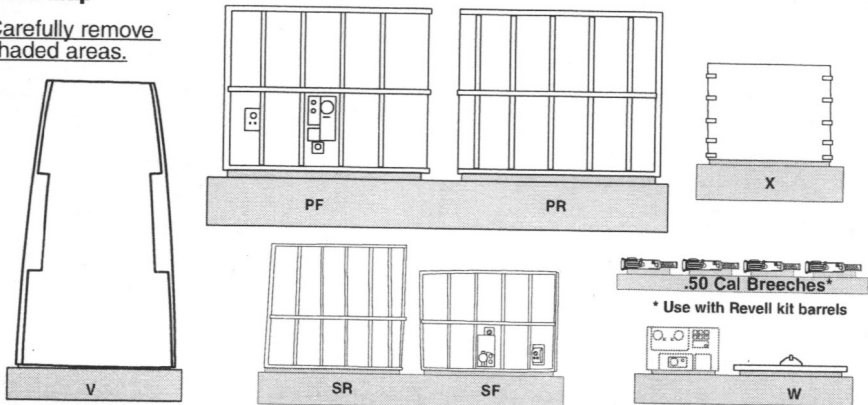


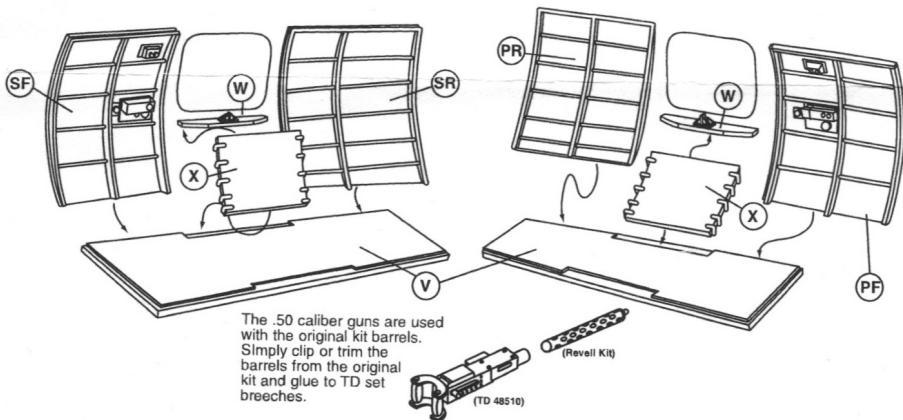
Please read instructions carefully!  
 These are delicate parts and require patience and skill. Use small amounts of gap-filling cyanoacrylate (super) glue.

**A Parts Map**

Carefully remove shaded areas.



**B Basic Assembly**



**E Color Notes (FED-STD-595B):**

<b>Surfaces</b>	Interior Green (FS 34151) or Aluminum
<b>Instrument Panel</b>	Flat Black w/White needles
<b>Seat</b>	Olive Drab (FS 34088) or Yellow (FS 33538)
<b>Machine Gun</b>	Black and Steel
<b>Part (W)</b>	
<b>Gun Mounts</b>	Black

**Additional B-17 Detail Kits:**

- TD48508 Bombardier
- TD48509 Cockpit
- TD48098 Wheel Set
- SQ9551 Canopy Set #1
- SQ9552 Canopy Set #2

**Further Reading:**

- SS1063 B-17 in Action
- SS5516 B-17 Flying Fortress Walk Around