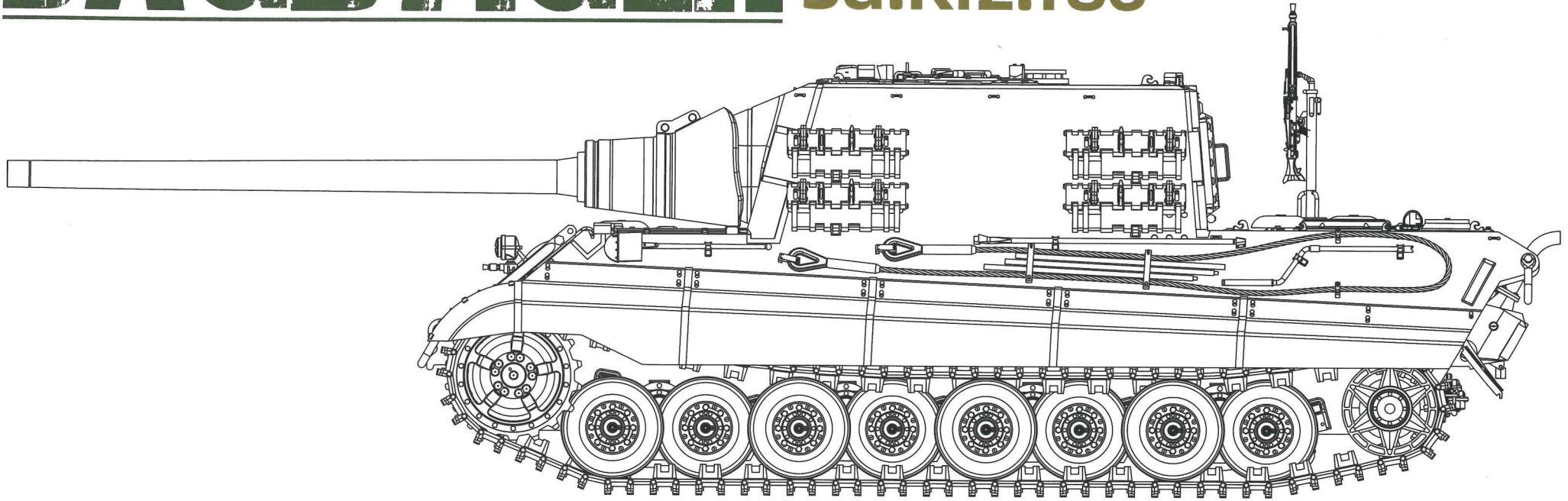


JAGDTIGER

PORSCHE PRODUCTION TYPE

Sd.Kfz.186



Based on the highly successful King Tiger, the 72-ton German Sd.Kfz.186 Panzerjäger Tiger Ausf.B, or Jagdtiger, was the ultimate operational German tank hunter of WWII.

Two Prototypes were produced, one by Henschel and one by Porsche, mainly differing by their road wheel suspension systems, with the Henschel suspension system being eventually chosen for series production. An order for 150 vehicles was initially placed, with production commencing at Nibelungenwerk in St. Valentine (Steyr-Daimler-Puch) in July 1944. Production was slow due to the cumbersome weight of the various elements of the vehicle, as well as the factory being targeted by Allied strategic bombing missions. Only around 80 examples were ultimately produced before the end of the war.

The Jagdtiger was armed with the most powerful anti-tank gun in the German arsenal during World War II, the Krupp 12.8 cm PaK 44 L/55, capable of out-ranging and defeating any allied tank it could have faced. Additional armament consisted of a single Rheinmetall 7.92mm MG 34 provided with a ball mount in the front-left side of the hull, and provisions for mounting another of these weapons externally on the engine deck for aerial defense. The main gun mount offered a very limited traverse of 10°, so if targets were outside its field of fire, the entire tank had to be turned and re-aimed, causing considerable stress on the engine and often jarring the gun out of calibration.

The greatest weakness of the vehicle was its power plant, the 690 hp V-12 Maybach HL 230 P 30 gasoline engine. Straining under the heavy weight with high fuel consumption, the operational range was only some 120 km (75 miles) on-road, and 80 km (50 miles) off-road. The huge case mate featured 250 mm thick armor at the front, while the glacis plate retained the same 150 mm thickness as the King Tiger. The heavy armor added serious weight to the vehicle, and the engine proved significantly under powered, resulting in a poor power-to-weight ratio. This resulted in strained components and caused low speed and poor off-road capability, as well as unreliability and inefficiency. These problems were so severe that most vehicles were lost due to these issues, rather than to enemy fire.

Serving on both the Eastern and Western fronts, only two heavy tank-hunter battalions received the vehicle. These were the 512th Heavy Panzerjäger Battalion and the 653rd Heavy Panzerjäger Battalion. About 20% of the Jagdtigers supplied to these units were lost due to fuel shortages and the vehicle's mechanical unreliability.

READ BEFORE ASSEMBLY

CAUTION

- Read carefully and fully understand the instructions before commencing assembly. A supervising adult should also read the instructions if a child assembles the model.
- When assembling this kit, tools including knives used. Extra care should be taken to avoid personal injury.
- Keep out of reach of small children. Children must not be allowed to suck any part, or pull vinyl bag over their heads.



Remove



Do Not Cement



Be Careful



Drill



Instant Glue
for Metal

PAINTS REQUIRED

Color info and profiles by Mig Jimenez

A.MIG-0035 Dark Tracks

A.MIG-0034 Rust Tracks

A.MIG-0042 Old Rust

A.MIG-0045 Gun Metal

A.MIG-0030 Old Wood

A.MIG-0099 Crystal
Periscope Green

A.MIG-0032 Stain Black

A.MIG-0012 RAL 7028
Dunkelgelb Aus '44 DG III

A.MIG-0003 RAL 6011
Resedagrün

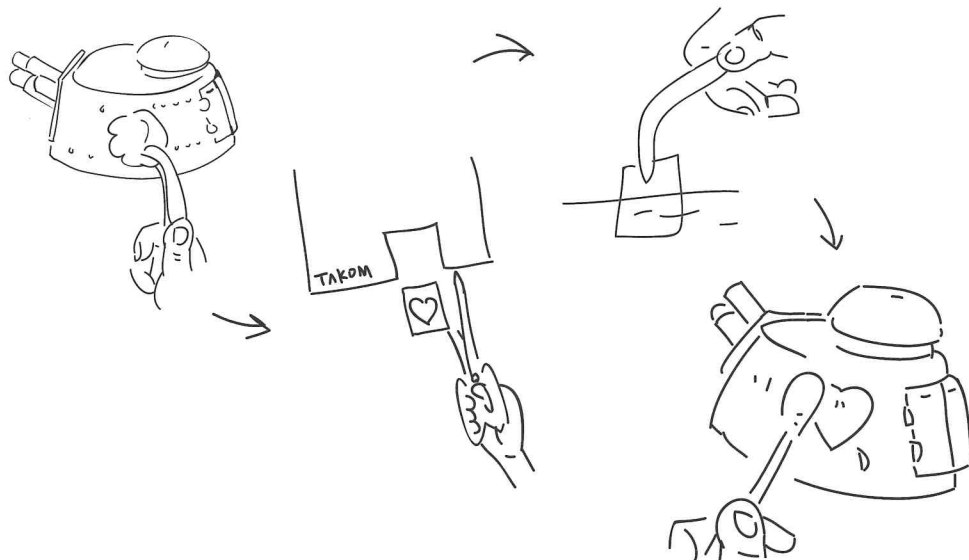
A.MIG-0014 RAL 8012
Rotbraun

A.MIG-0011 RAL 7028
Dunkelgelb Aus '44 DG I

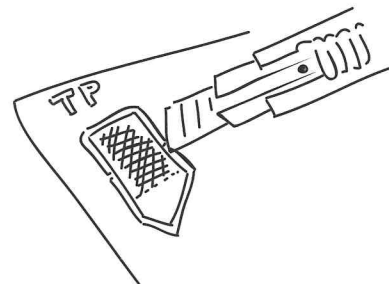
A.MIG-0004 RAL 6011
B Resedagrün

APPLYING DECALS

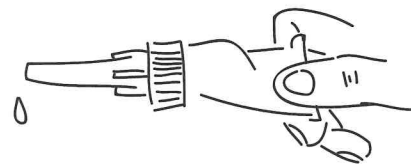
1. Clean the model surface with a wet cloth.
2. Cut out each decal design from sheet, and dip it in tepid water for 15~20 sec.
3. Hold the backing sheet edge and slide decal onto the model.
4. Move decal into position by wetting decal with finger.
5. Press decal gently down with a soft cloth until excess water and air bubbles are gone.



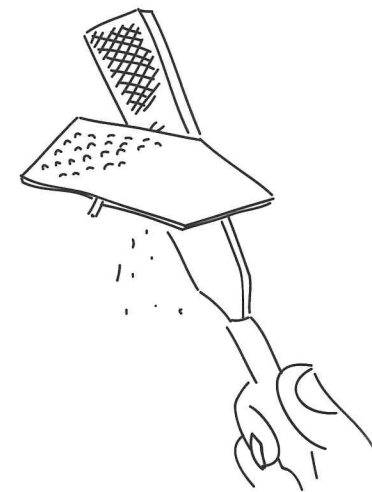
REMOVING PE



Be careful not to hurt when removing PE parts.

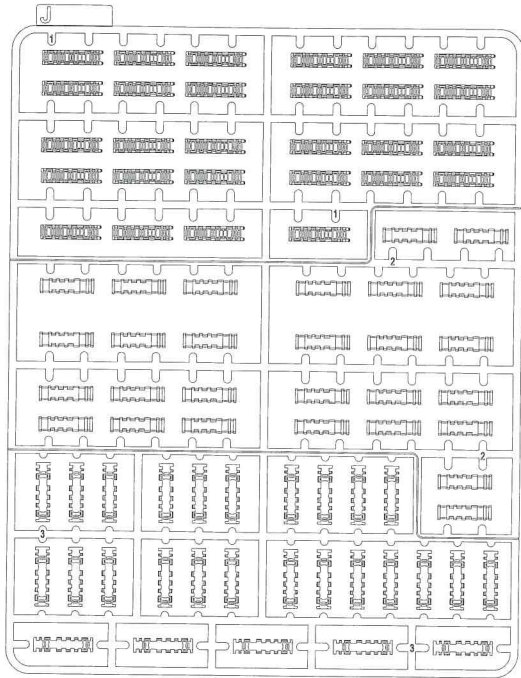


Secure using instant glue (not included).

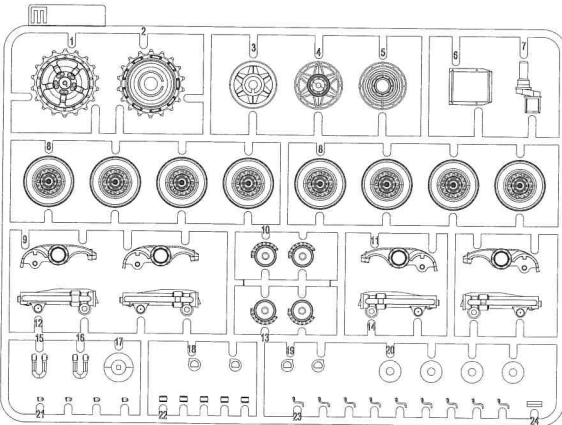
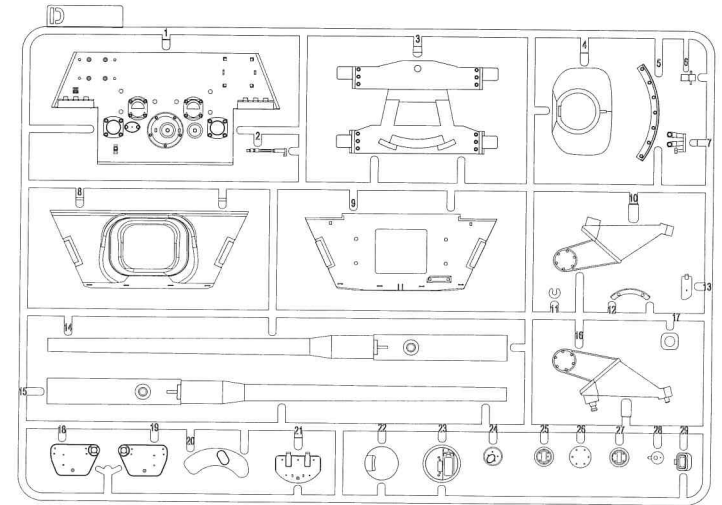
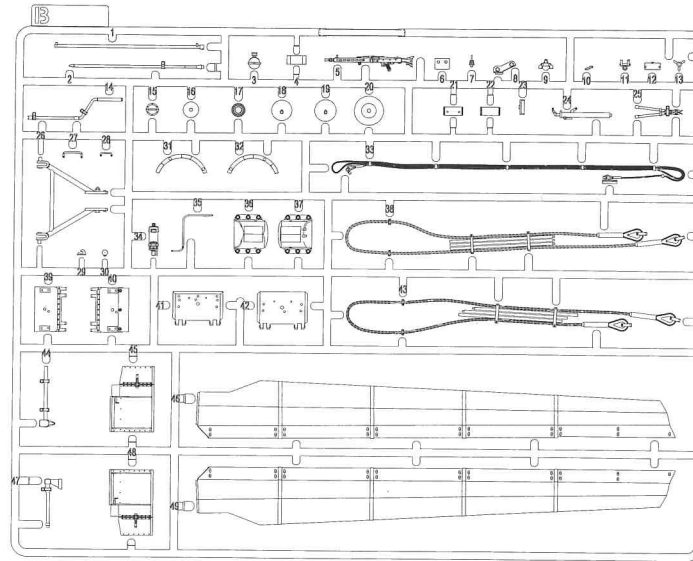


Finish using file.

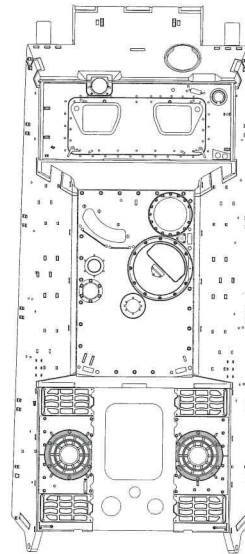
PARTS



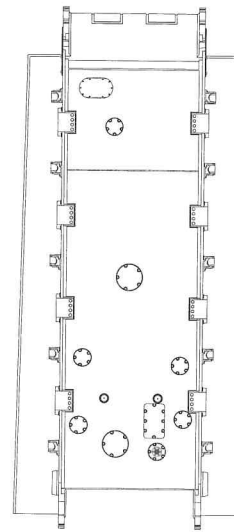
X4



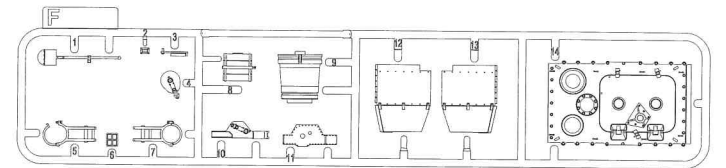
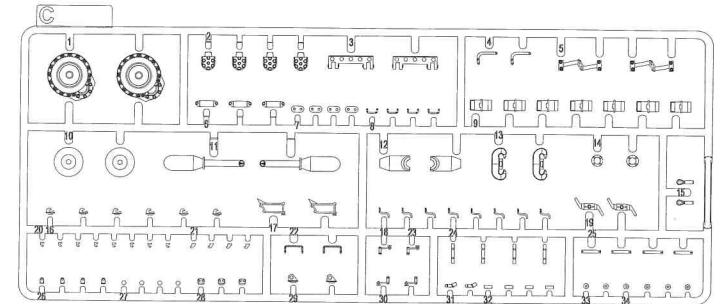
X2



Upper Hull



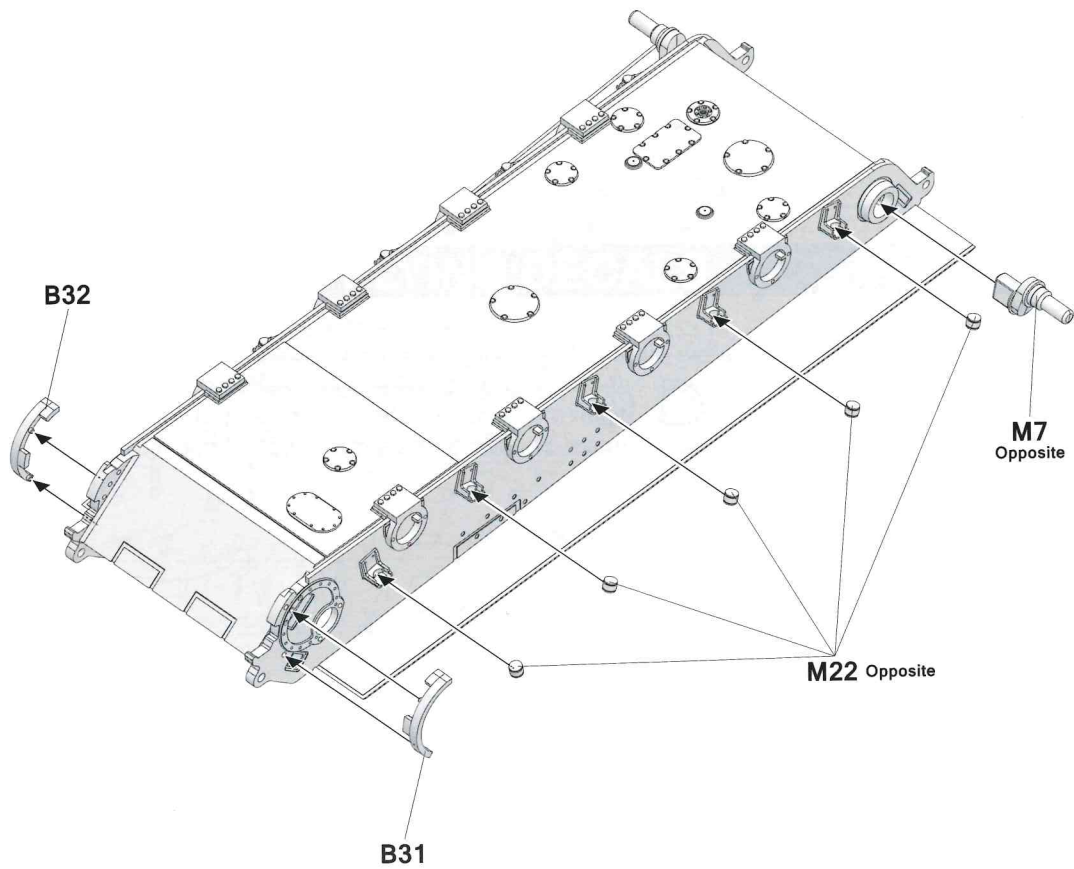
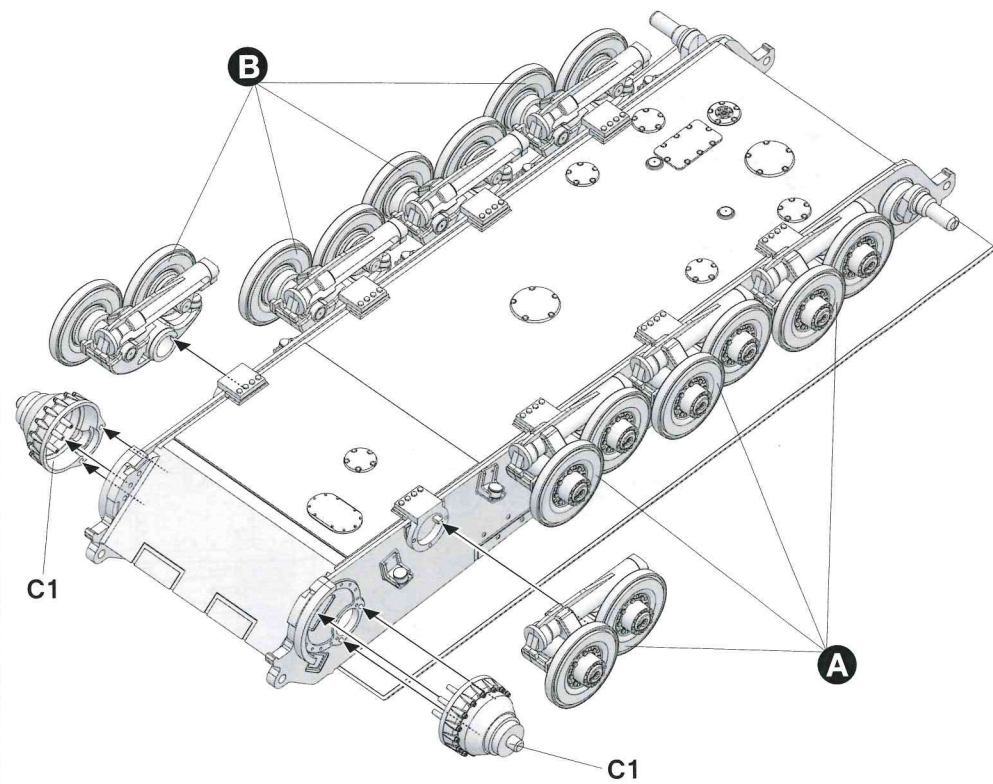
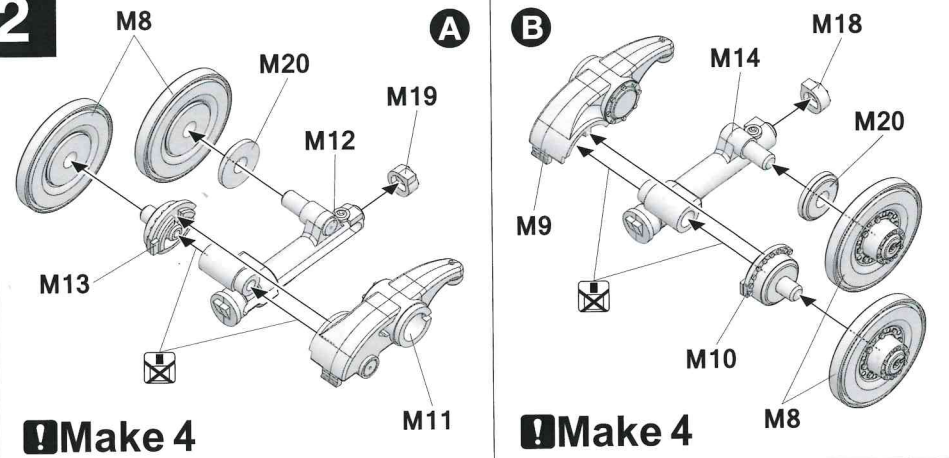
Lower Hull



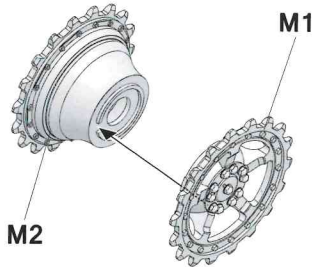
TP



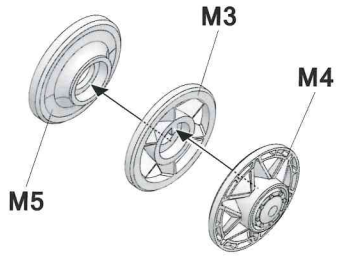
Decal

1**2****3**

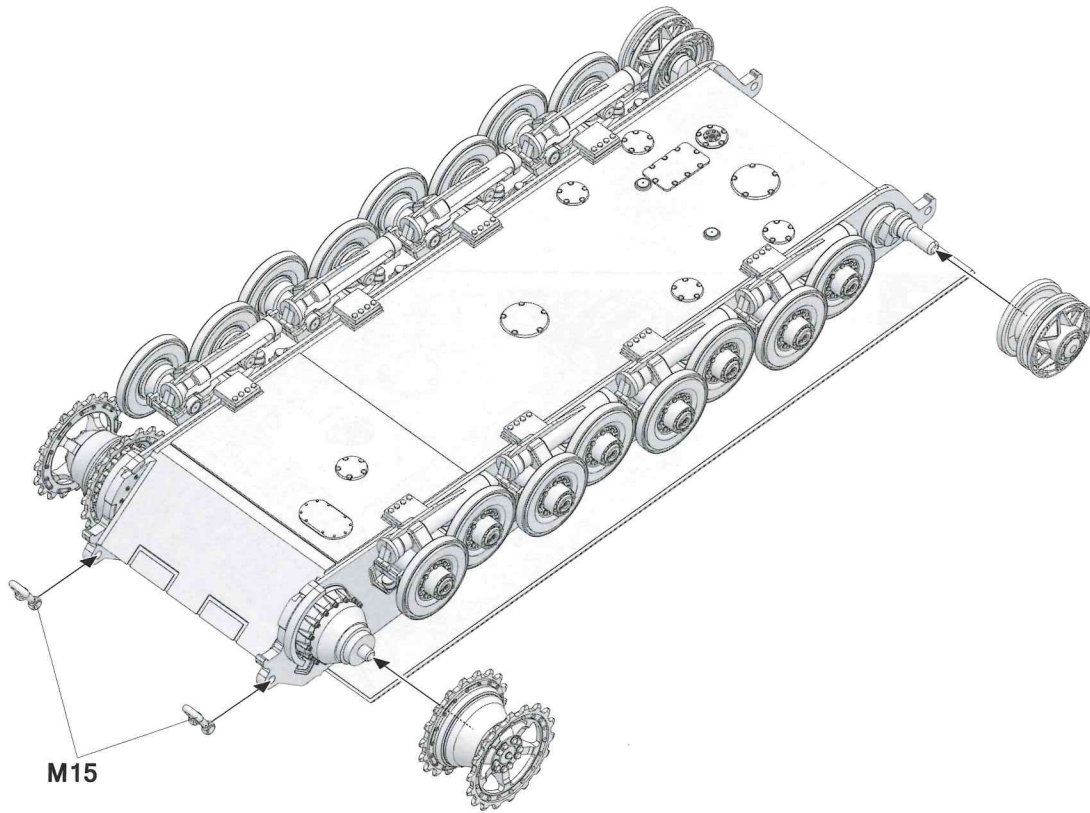
3



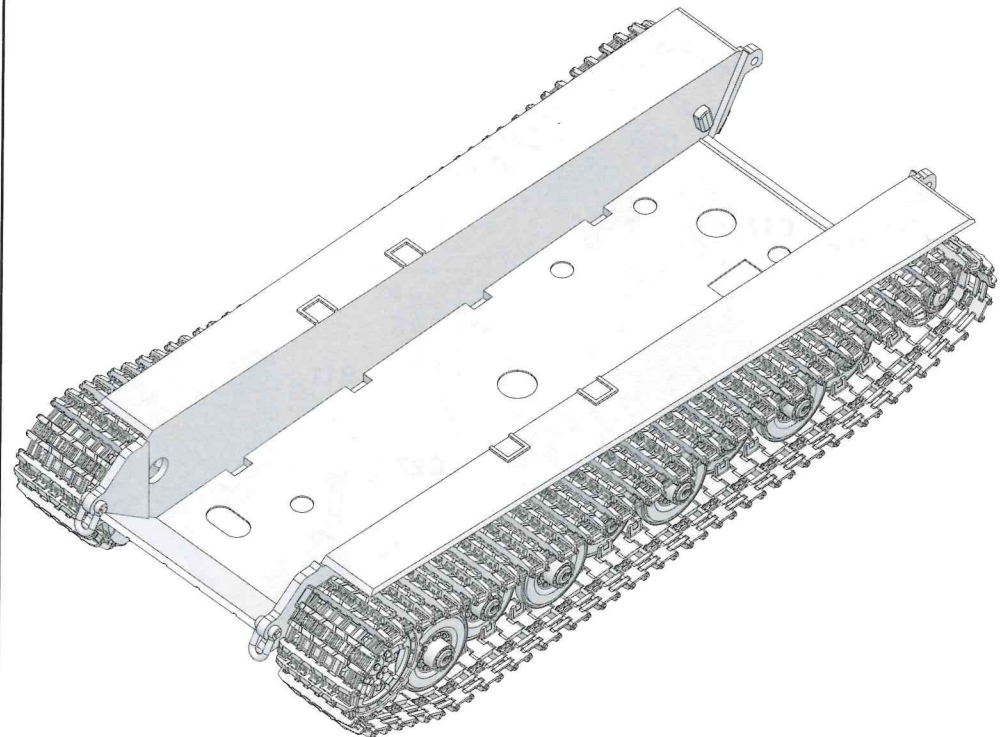
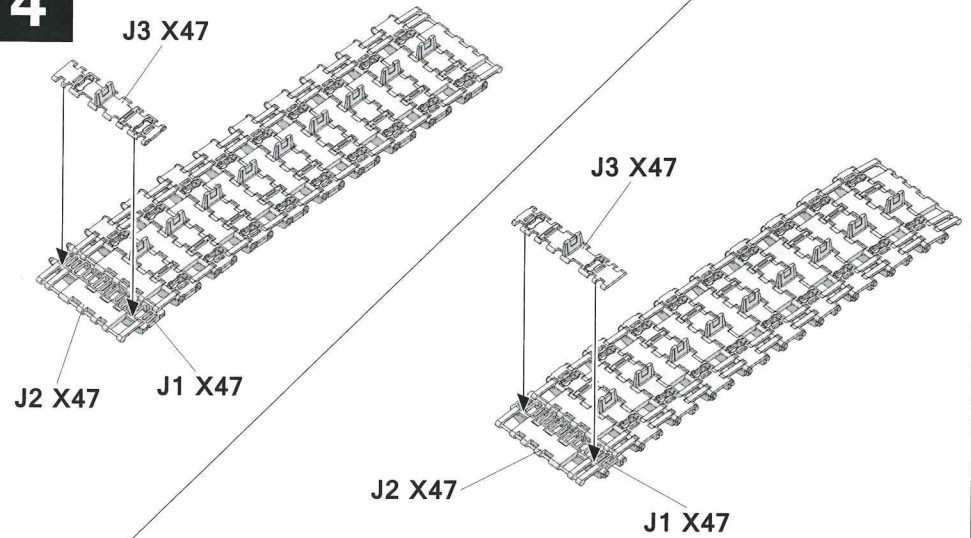
Make 2



Make 2

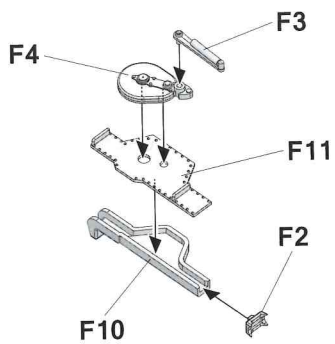
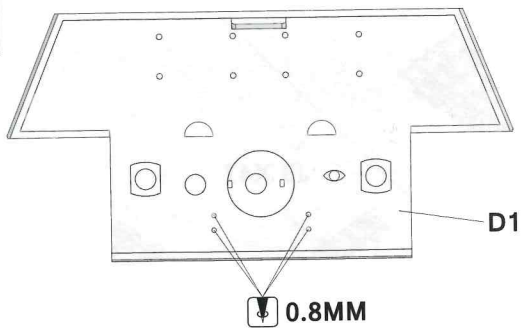


4

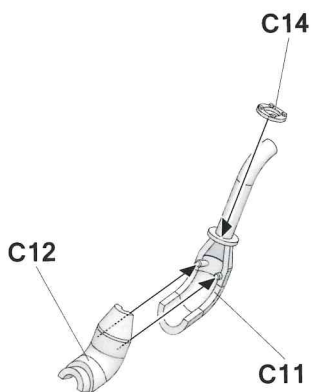
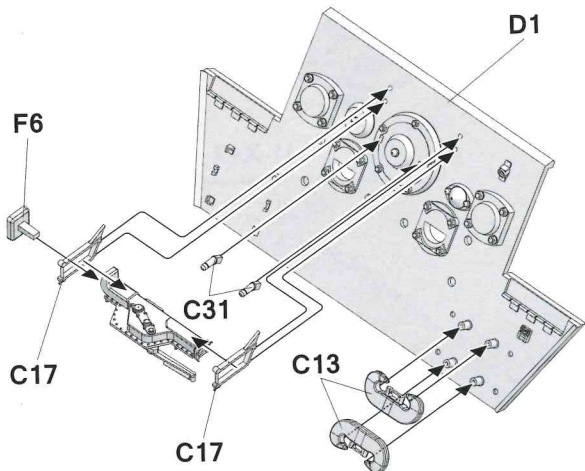
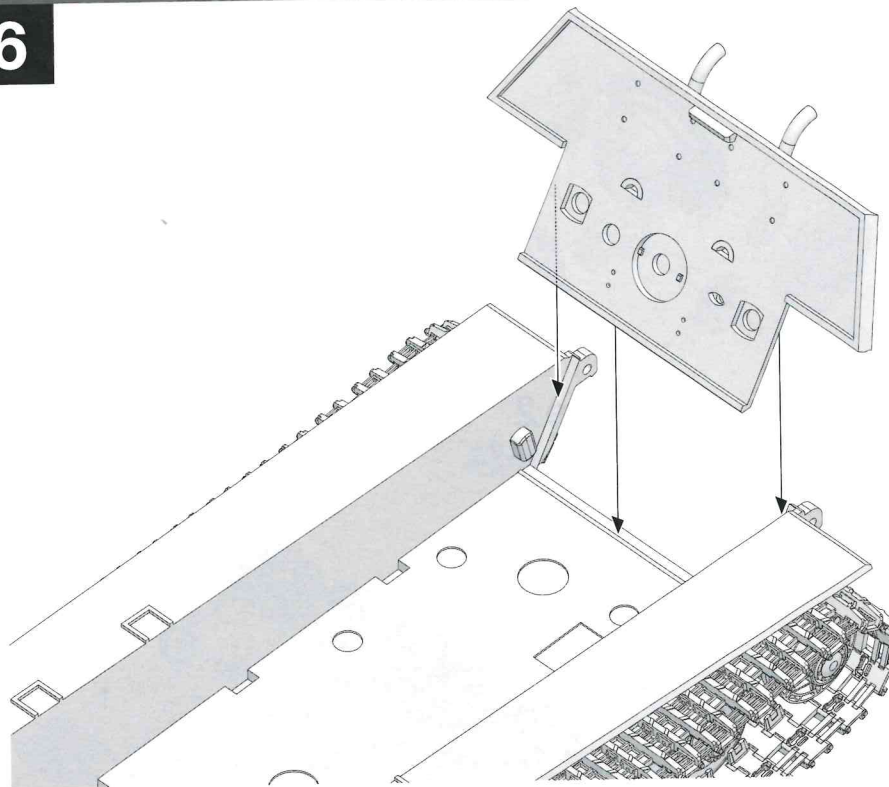


4

5

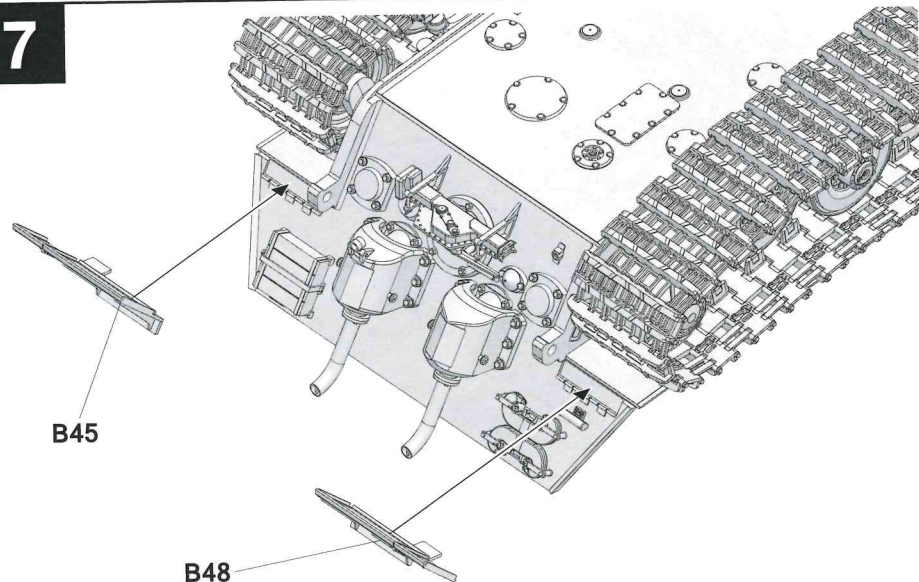
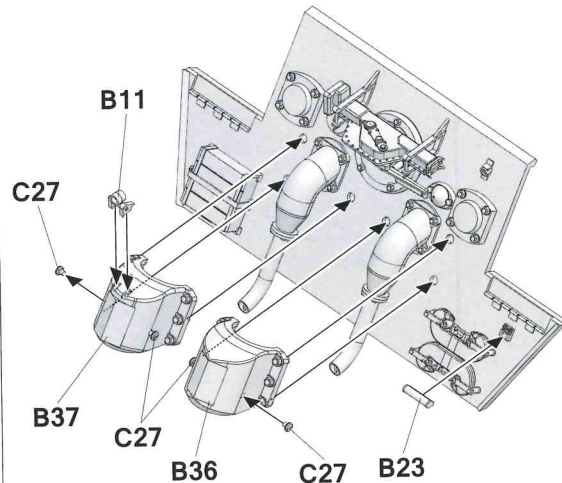
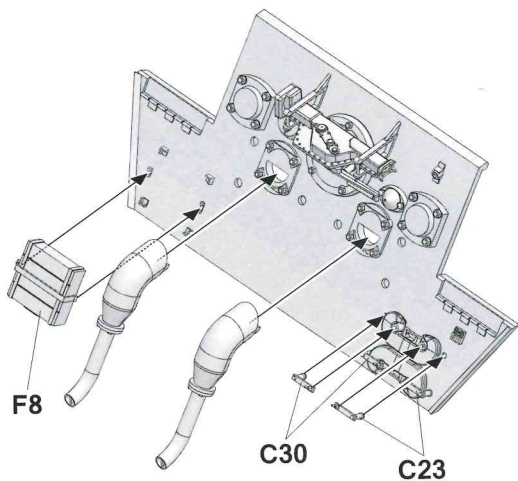


6



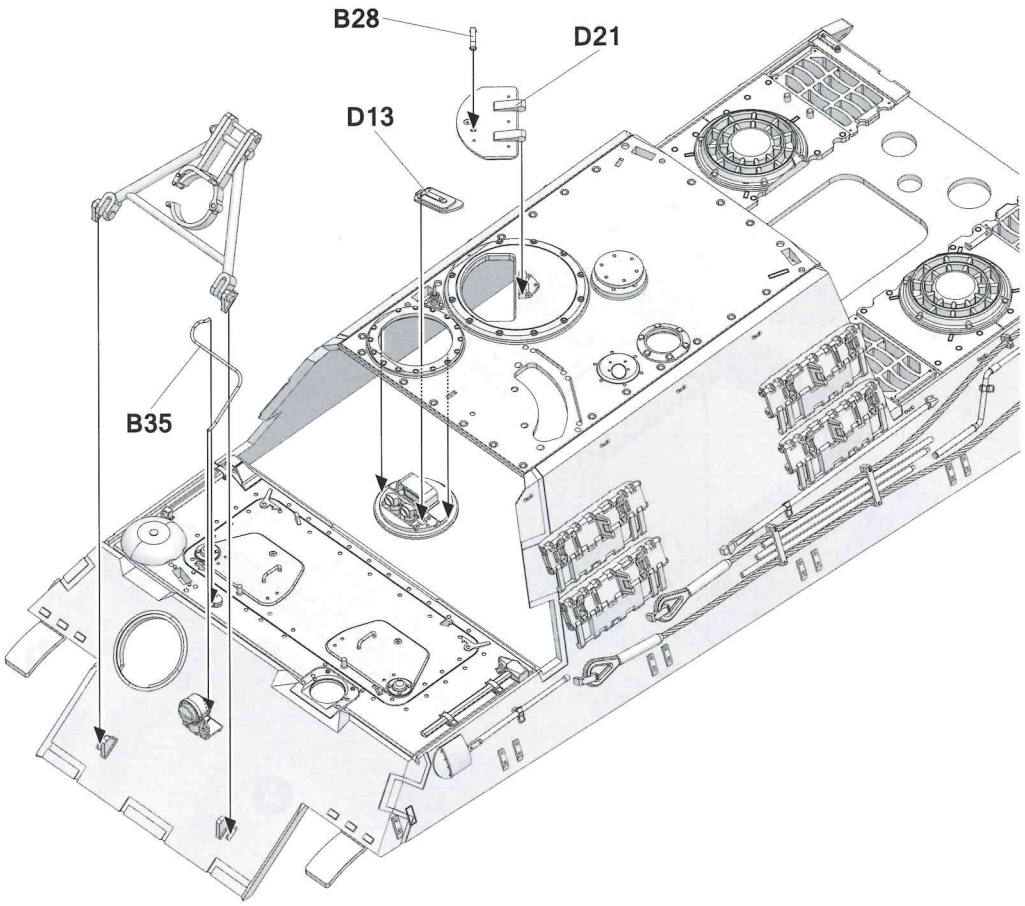
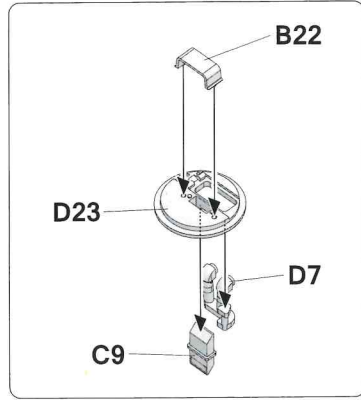
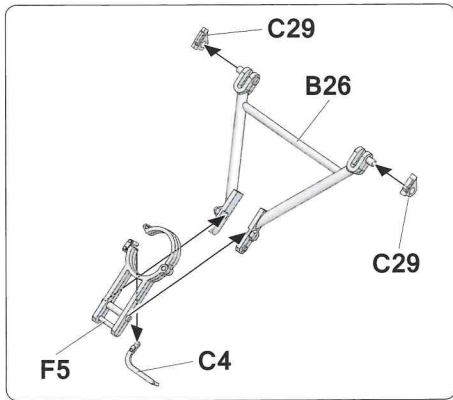
Make 2

7

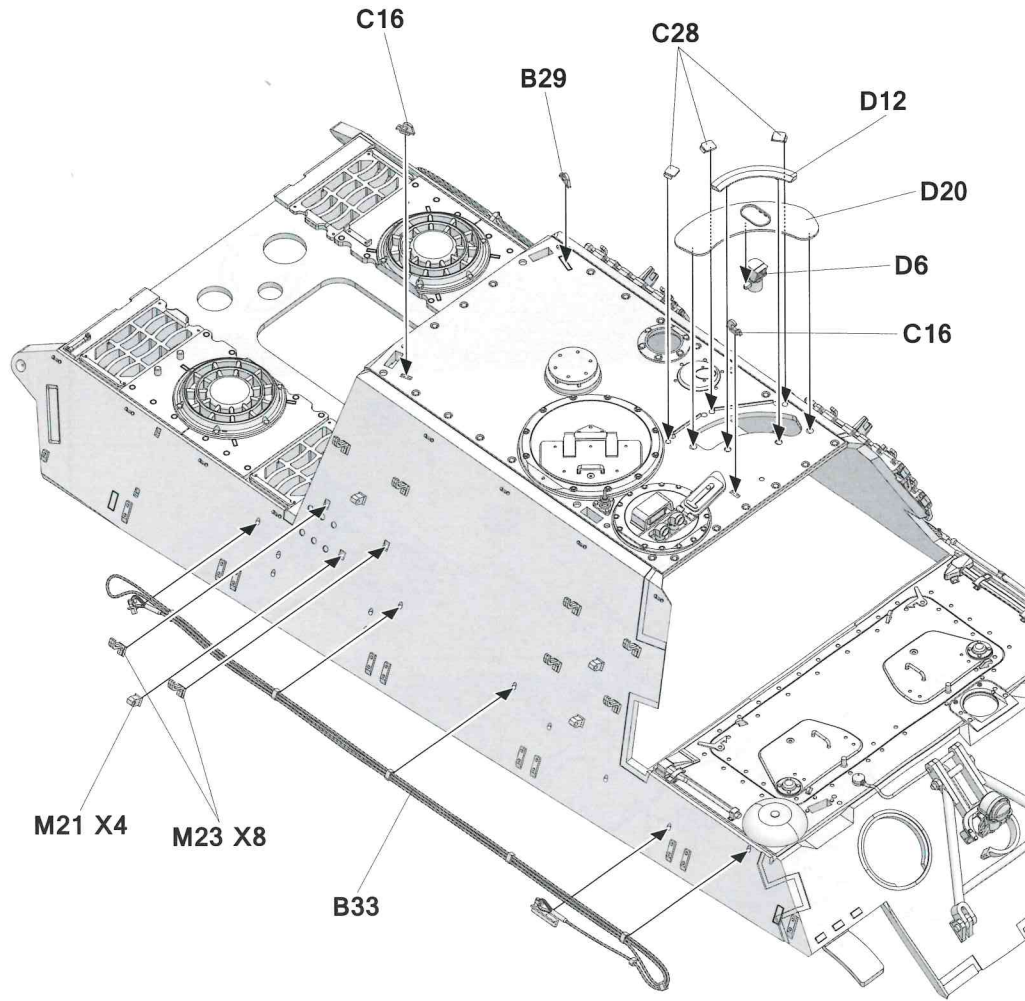


5

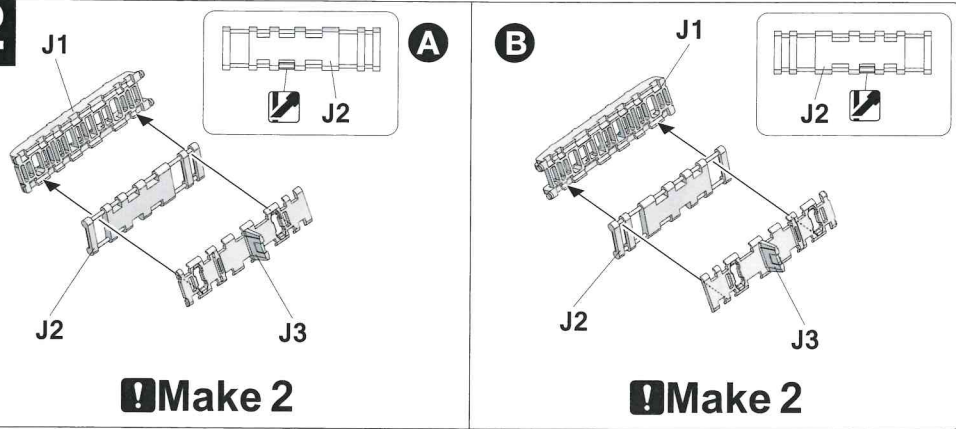
10



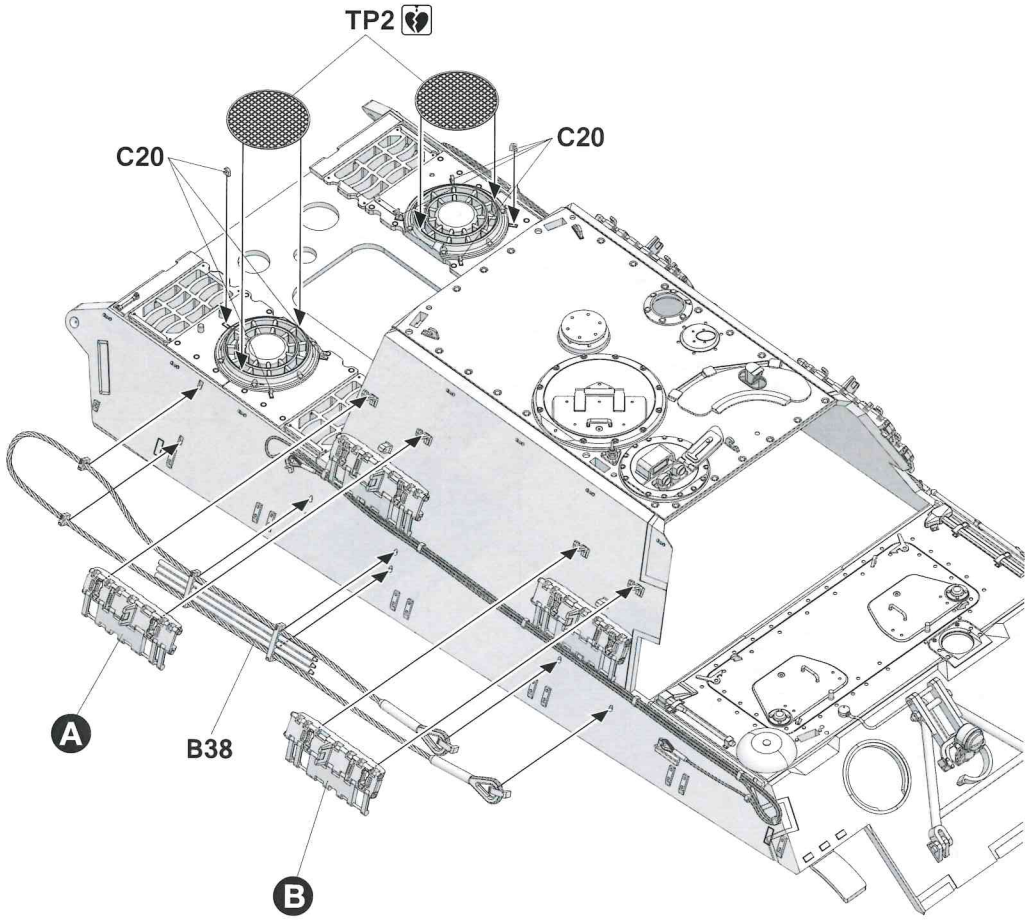
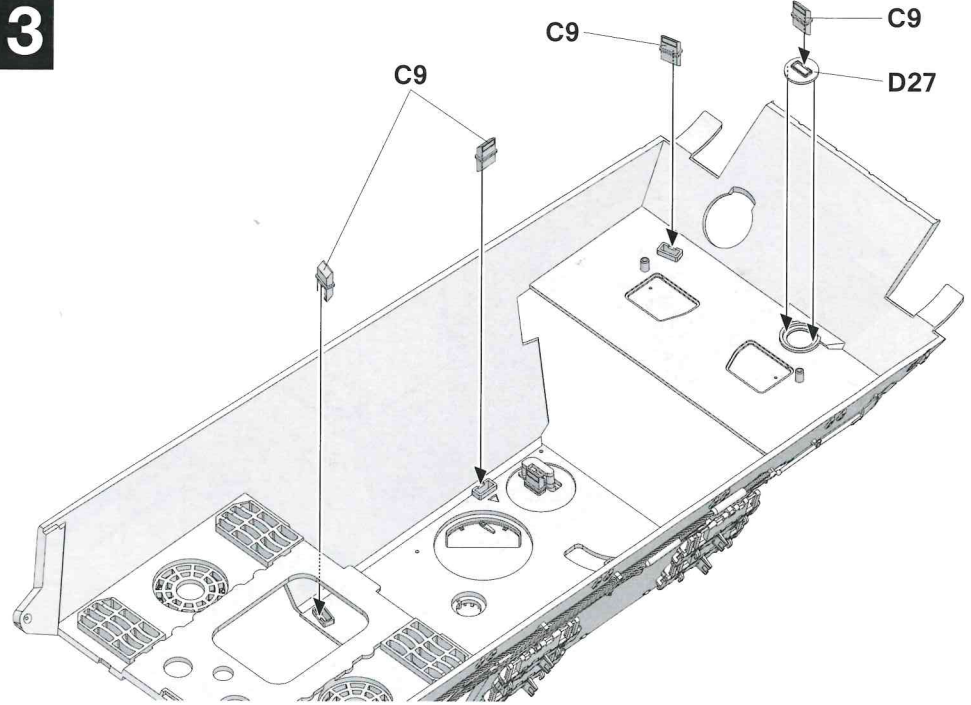
11



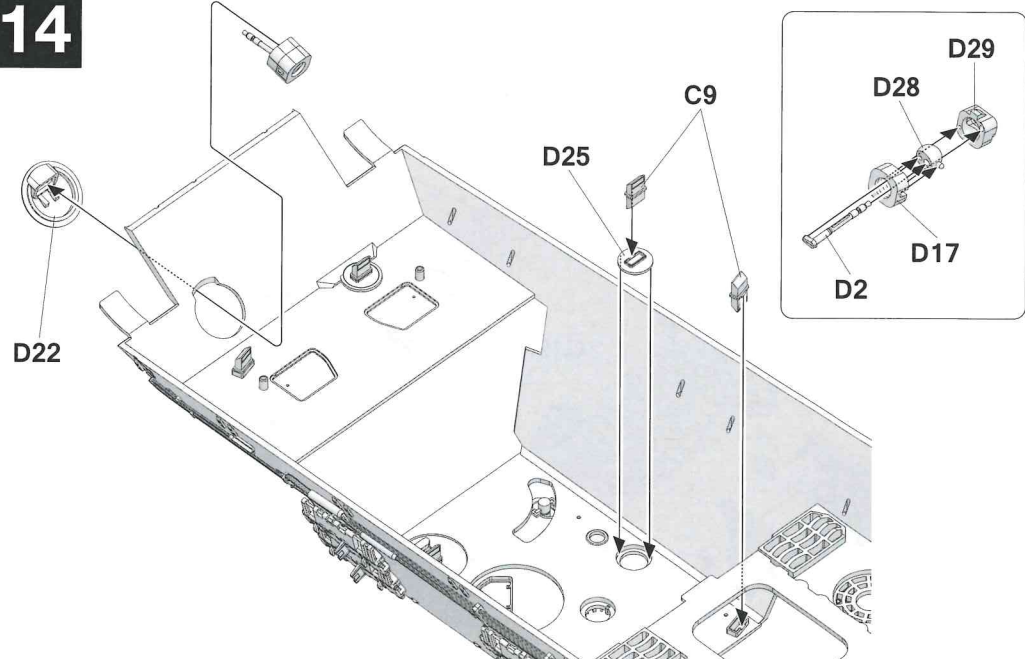
12



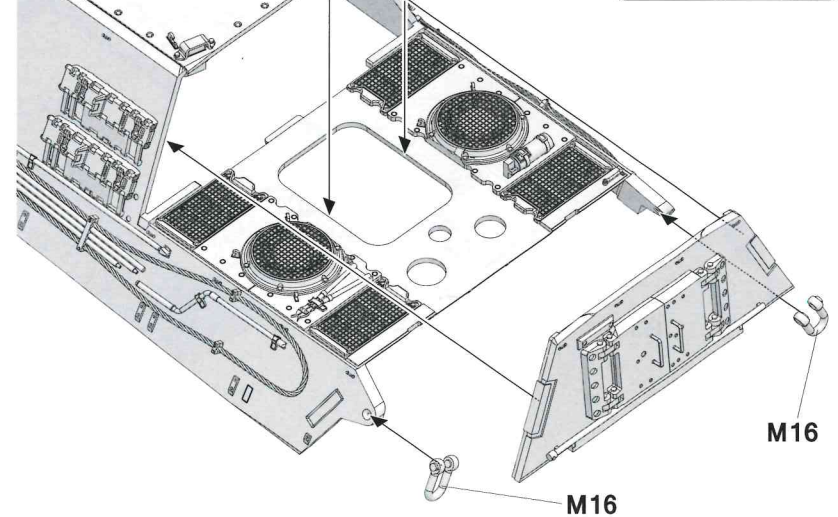
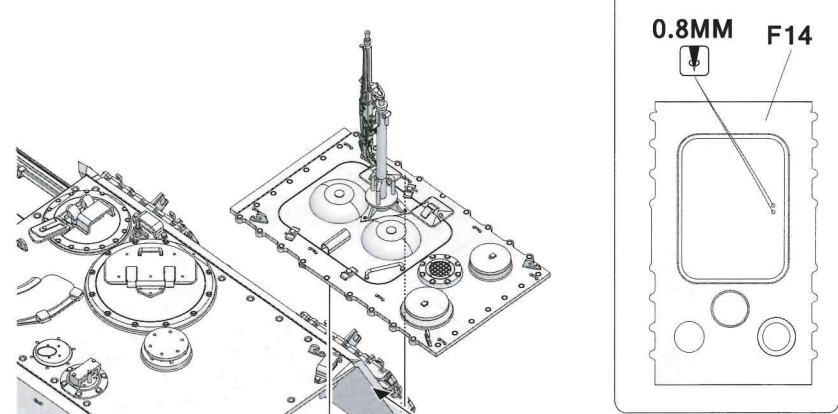
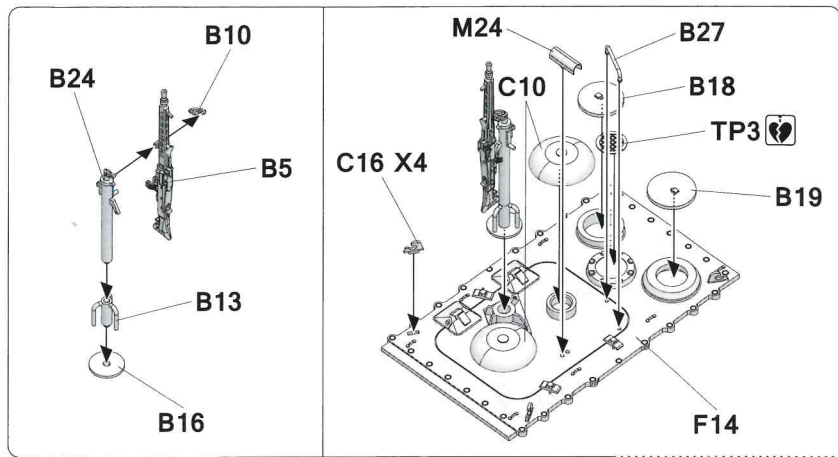
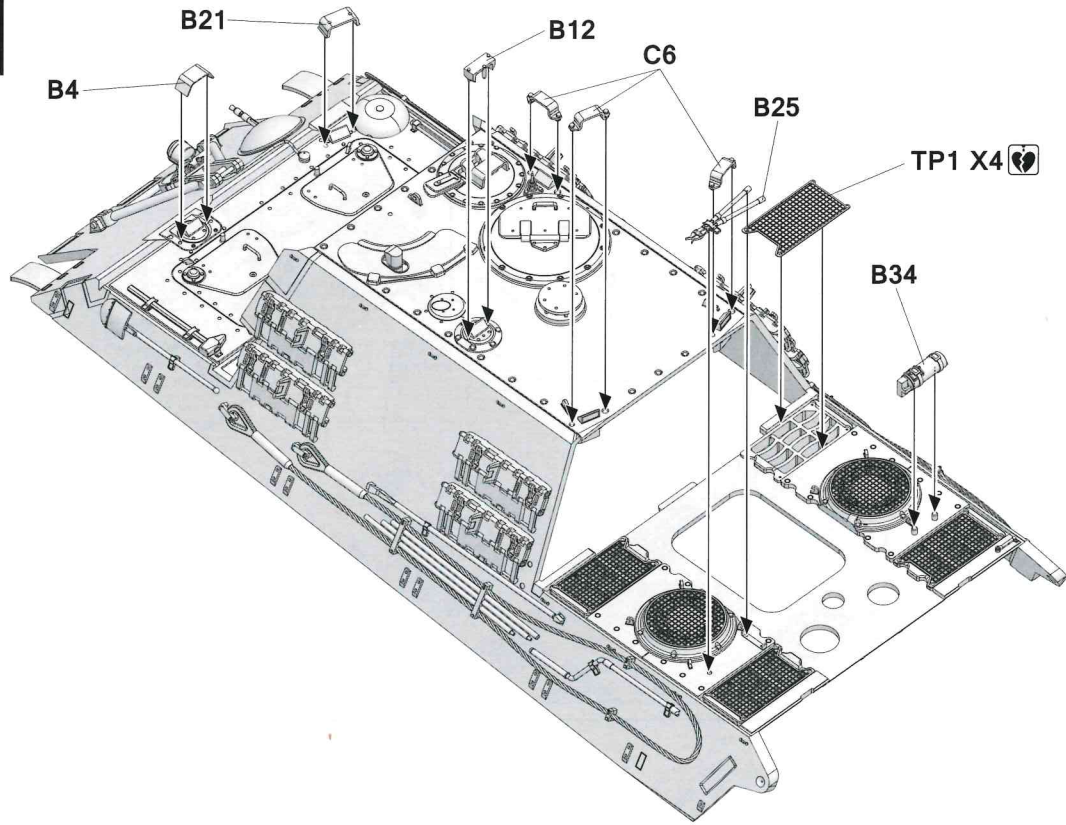
13



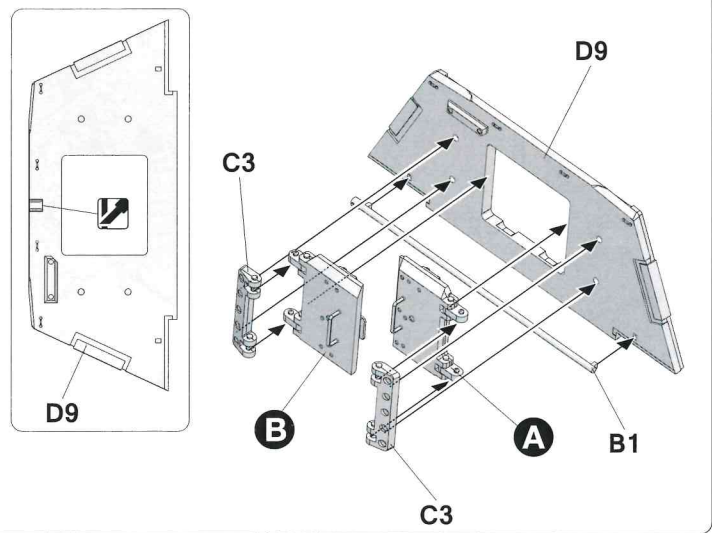
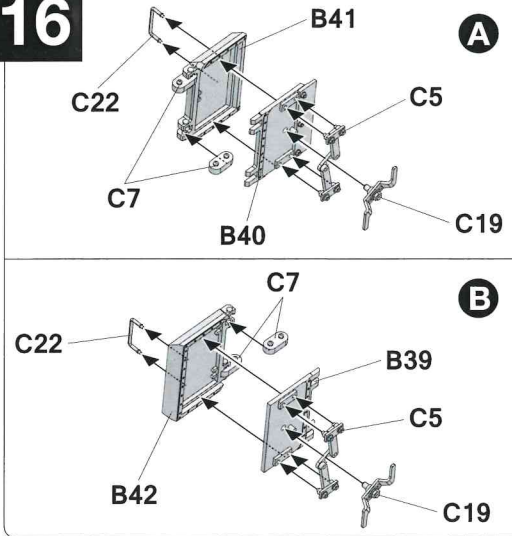
14

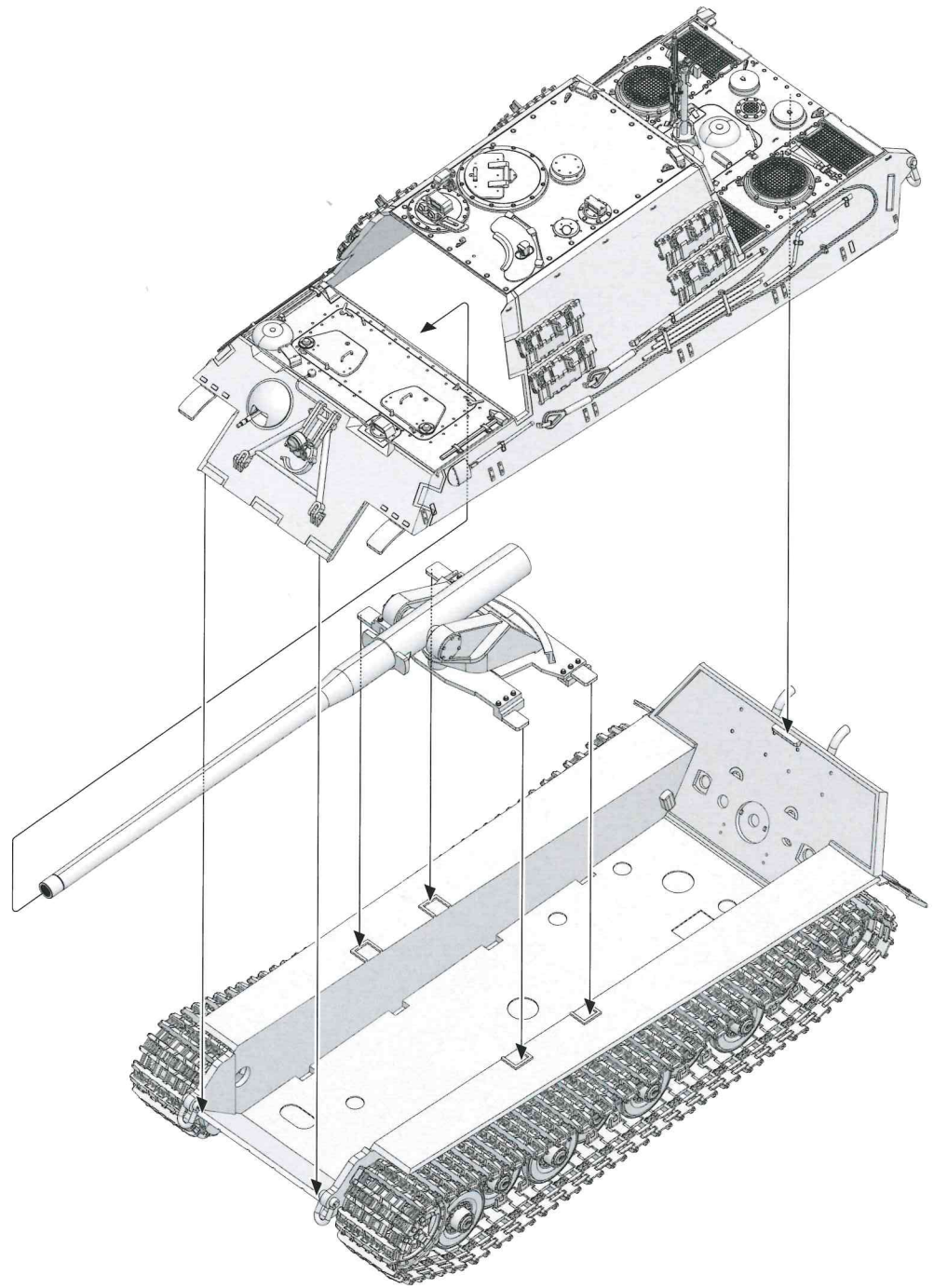
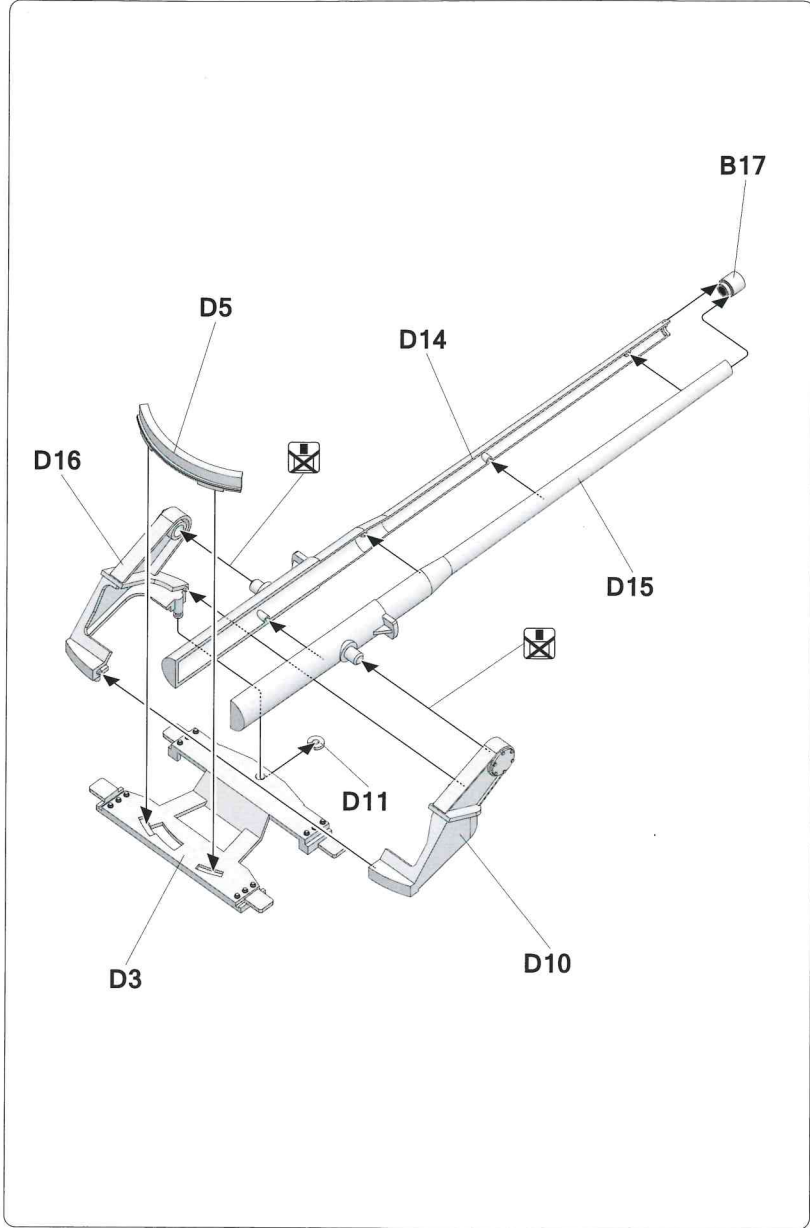


15

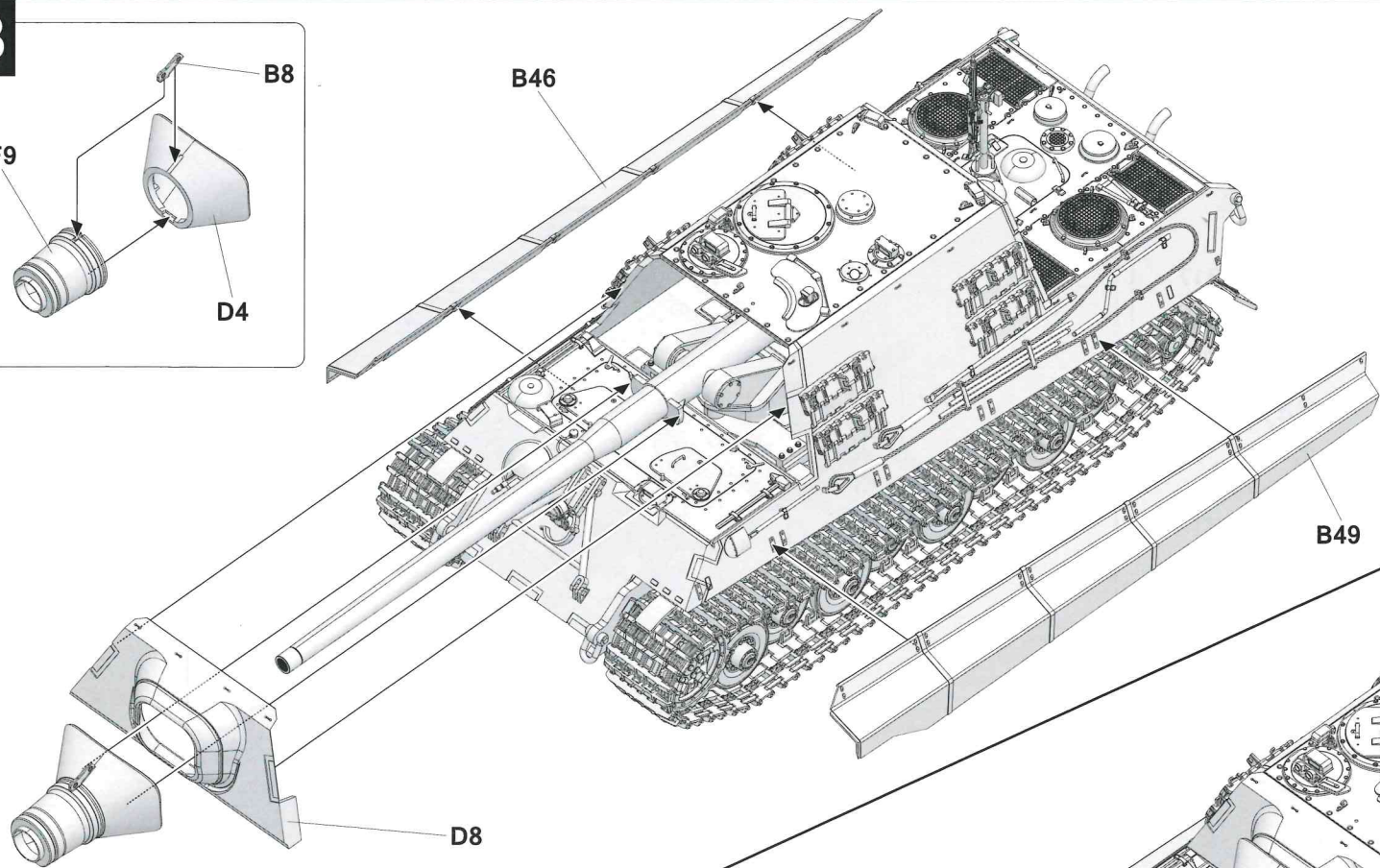
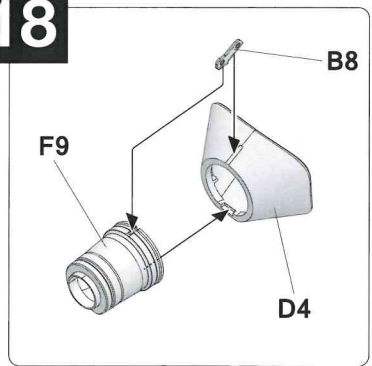


16

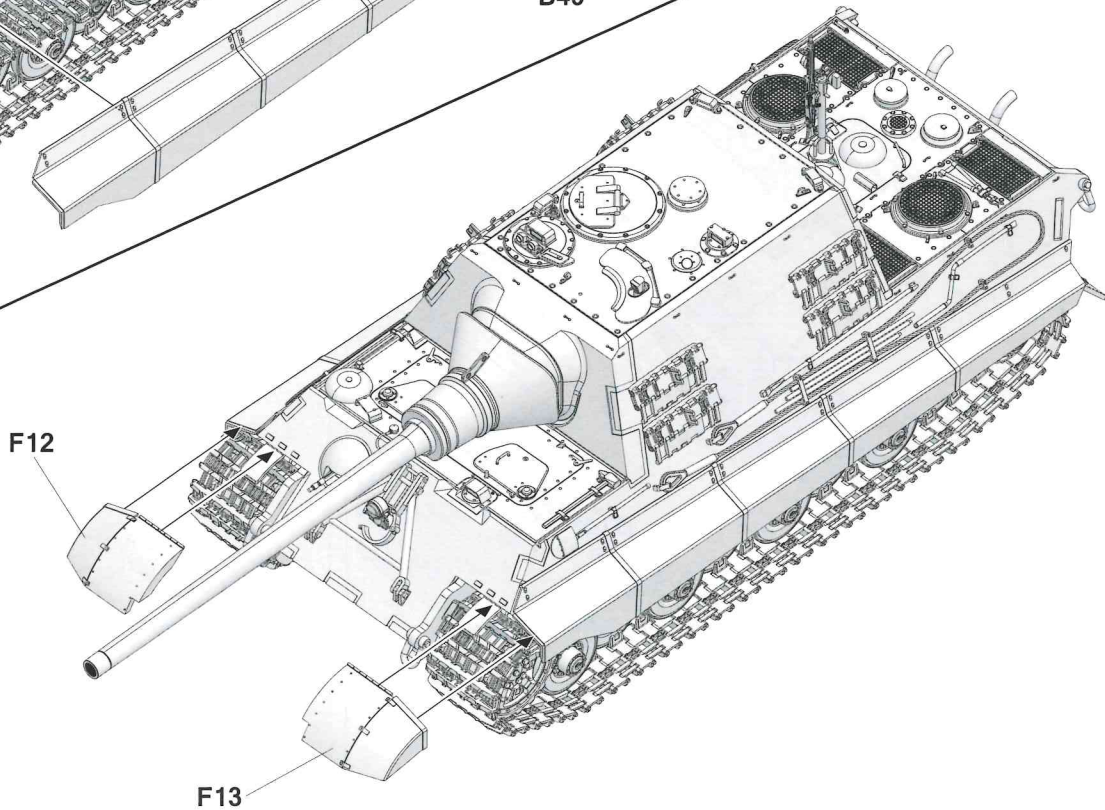




18



19



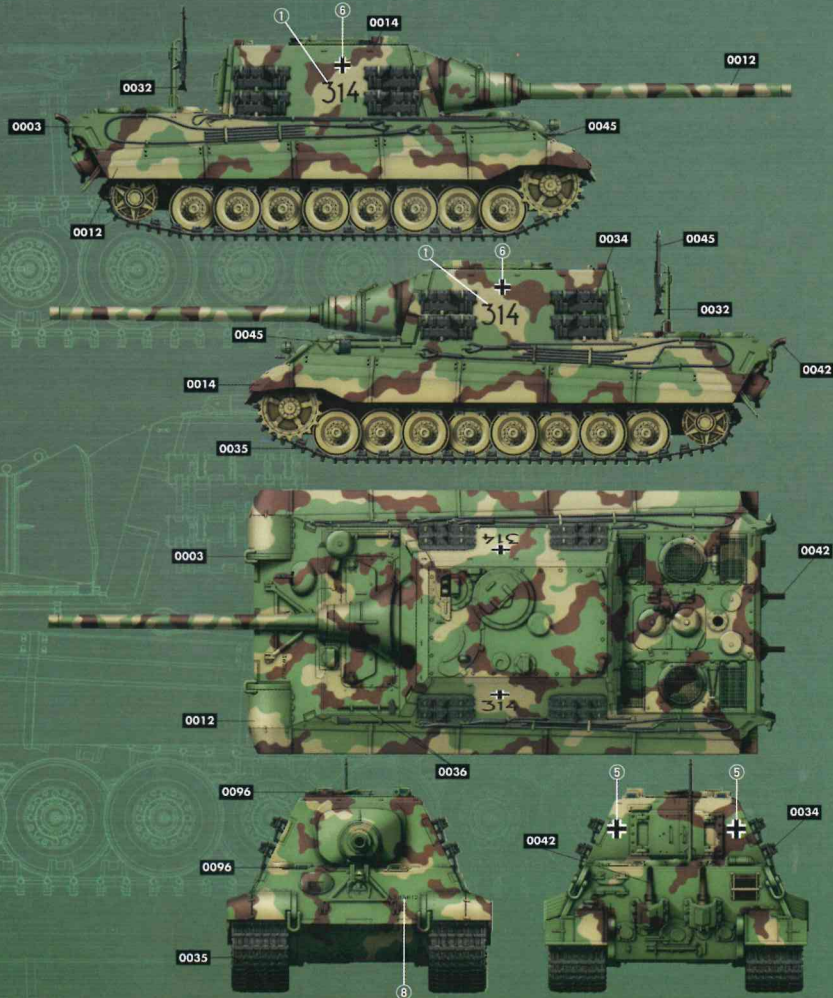
Jagdtiger Porsche

Painting and Marking Guide

TAKOM Ref: 8003

Jagdtiger Porsche

3./Schwere Panzerjäger Abteilung 653,
Marsbronn, France, March 1945



WEATHERING STEPS WITH AMMO PRODUCTS

1 GENERAL WASH A.MIG-1005 Dark Brown Wash for Green Vehicles	3 STREAKING A.MIG-1253 Streakingbrusher Grime	5 RUST A.MIG-3510 Rust	7 MUD A.MIG-1704 Heavy Earth	9 FUEL A.MIG-1409 Fuel Stains
2 FILTER A.MIG-1510 Tan for 3 Tone Camo	4 TRACKS WASH A.MIG-1002 Tracks Wash	6 DUST A.MIG-3004 Europe Earth	8 SPLASHES A.MIG-1753 Turned Dirt	10 OIL A.MIG-1408 Fresh Engine Oil

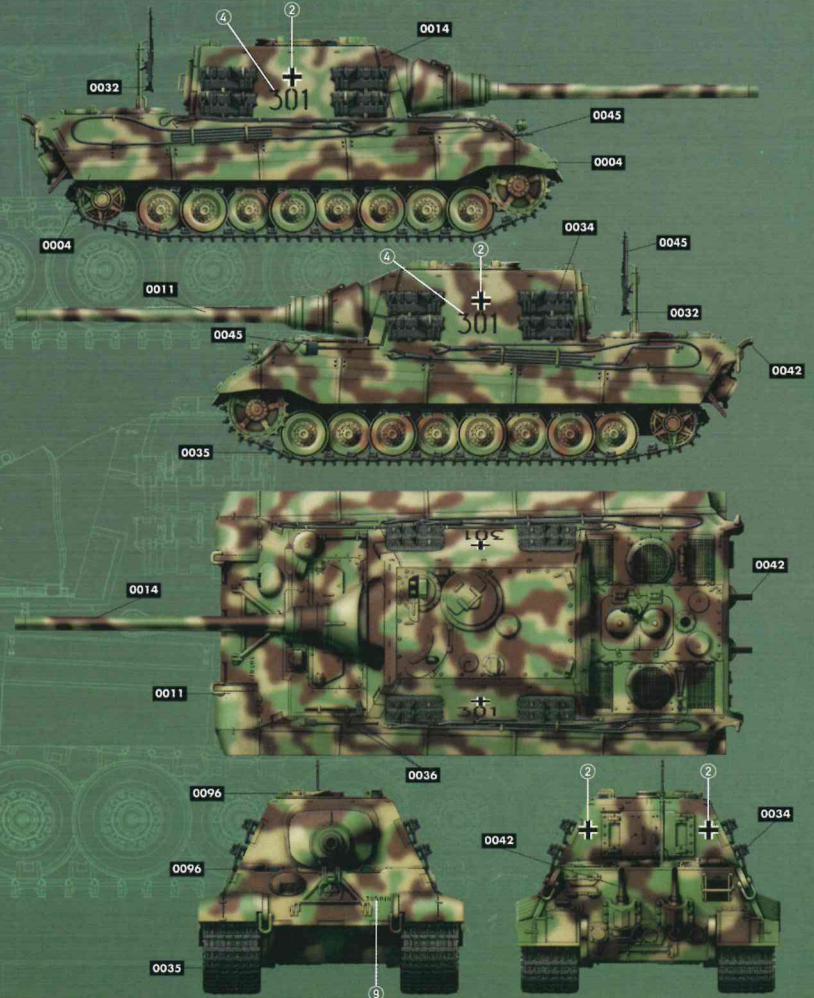
Jagdtiger Porsche

Painting and Marking Guide

TAKOM Ref: 8003

Jagdtiger Porsche

3./Schwere Panzerjäger Abteilung 653,
Marsbronn, France, March 1945



WEATHERING STEPS WITH AMMO PRODUCTS

1 GENERAL WASH A.MIG-1005 Dark Wash	3 STREAKING A.MIG-1203 Streaking Grime	5 RUST A.MIG-1254 Streakingbrusher Rust	7 MUD A.MIG-1703 Moist Ground	9 FUEL A.MIG-1409 Fuel Stains
2 FILTER A.MIG-1510 Tan for 3 Tone Camo	4 TRACKS WASH A.MIG-1002 Tracks Wash	6 DUST A.MIG-3013 Rubble	8 SPLASHES A.MIG-1752 Loose Ground	10 OIL A.MIG-1408 Fresh Engine Oil

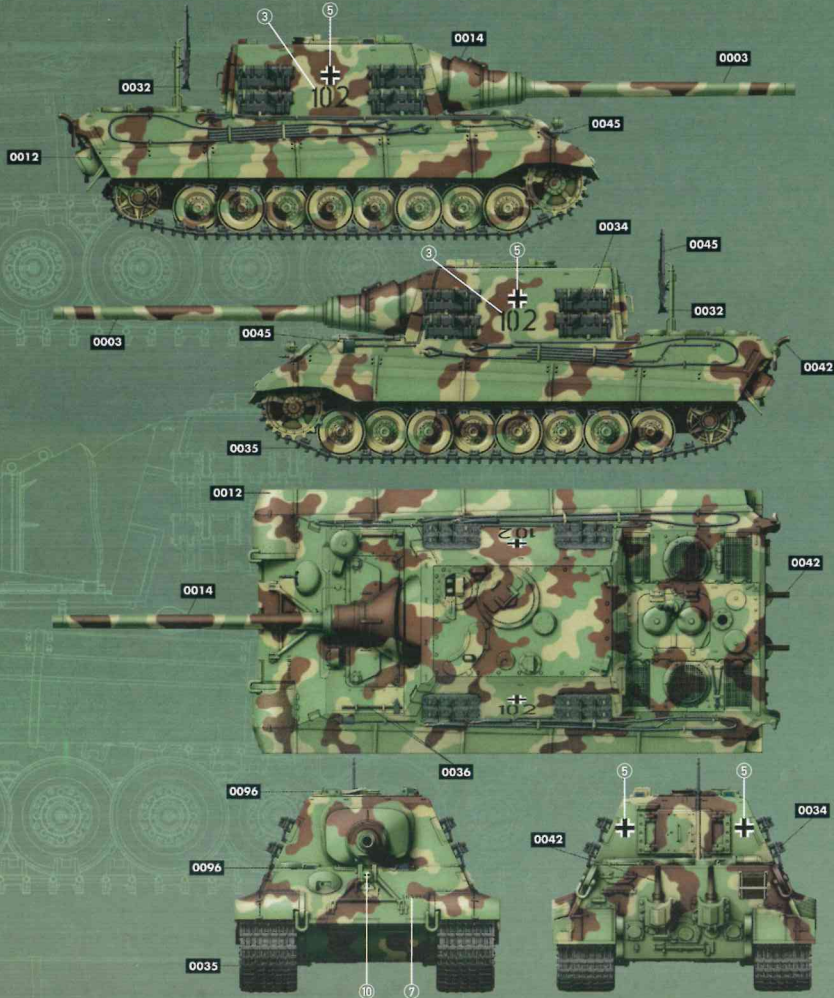
Painting and Marking Guide

TAKOM Ref: 8003

Jagdtiger Porsche

3./Schwere Panzerjäger Abteilung 653
Rittershoffen, France, March 1945

- | | | | |
|---------------------------------------|---|-------------------------------|--|
| A.MIG-0035 Dark Tracks | A.MIG-0034 Rust Tracks | A.MIG-0042 Old Rust | A.MIG-0045 Gun Metal |
| A.MIG-0036 Old Wood | A.MIG-0096 Crystal Pepperscope Green | A.MIG-0032 Satin Black | A.MIG-0012 RAL 7023 Dunkelgrün Aus. 44 Dg III |
| A.MIG-0003 RAL 6011 Pisselgrün | A.MIG-0014 RAL 8012 Rotbraun | | |



WEATHERING STEPS WITH AMMO PRODUCTS

- | | | | | |
|--|--|--|--|--|
| 1 GENERAL WASH
A.MIG-1005 Dark Brown Wash for Green vehicles | 3 STREAKING
A.MIG-1256 Streakingbrusher Green-Gray Grime | 5 RUST
A.MIG-1204 Streaking Rust Effects | 7 MUD
A.MIG-1705 Wet Mud | 9 FUEL
A.MIG-1409 Fuel Stains |
| 2 FILTER
A.MIG-1510 Tan for 3 Tone Camo | 4 TRACKS WASH
A.MIG-1002 Tracks Wash | 6 DUST
A.MIG-3028 City Dark Dust | 8 SPLASHES
A.MIG-1754 Damp Earth | 10 OIL
A.MIG-1406 Fresh Engine Oil |

PANTHER Ausf.G w/Steel Wheels Mid Production 2in1



- ▲ DETAILED STATIC DISPLAY PLASTIC MODEL
- ▲ TRACK ASSEMBLY IS AIDED WITH THE USE OF A JIG
- ▲ LINK & LENGTH STYLE TRACKS INCLUDED
- ▲ ALL HATCHES CAN BE BUILT IN OPEN OR CLOSED POSITION
- ▲ PE INCLUDED
- ▲ 8 TYPES OF MARKINGS



Designed by T-Box Studio in China

1/35
No.2120

- ▲ THIS IS NOT A TOY
- ▲ READY TO ASSEMBLE PRECISION MODEL KIT
- ▲ INTENDED FOR COLLECTORS OF AGE 14 YEARS AND ABOVE
- ▲ MODEL MAY VARY FROM IMAGE ON BOX
- ▲ CEMENT AND PAINT NOT INCLUDED

JASON 2019
Full Interior

JAGDTIGER Sd.Kfz.186 EARLY/LATE PRODUCTION 2in1

- ▲ ALL HATCHES CAN BE BUILT IN OPEN OR CLOSED POSITION
- ▲ TRACK ASSEMBLY IS AIDED WITH THE USE OF A JIG
- ▲ DETAILED STATIC DISPLAY PLASTIC MODEL
- ▲ LINKLENGTH STYLE TRACKS INCLUDED
- ▲ STYPES OF MARKINGS
- ▲ PE PARTS INCLUDED



Designed by T-Box Studio in China

- ▲ THIS IS NOT A TOY
- ▲ CEMENT AND PAINT NOT INCLUDED
- ▲ MODEL MAY VARY FROM IMAGE ON BOX
- ▲ READY TO ASSEMBLE PRECISION MODEL KIT
- ▲ INTENDED FOR COLLECTORS OF AGE 14 YEARS AND ABOVE

1/35
No.8001



BANDVAGN BV 206S

w/Interior

Articulated Armored Personnel Carrier

• DETAILED STATIC DISPLAY PLASTIC MODEL
• ALL HATCHES CAN BE BUILT IN OPEN OR CLOSED POSITION
• ONE-PIECE TRACKS
• 3 TYPES OF MARKINGS
• THIS IS NOT A TOY



JASON 2018

1/35
No. 2039

• READY TO ASSEMBLE PRECISION MODEL KIT
• INTENDED FOR COLLECTORS OF AGE 14 YEARS AND ABOVE
• MODEL MAY VARY FROM IMAGE ON BOX
• CEMENT AND PAINT NOT INCLUDED



GERMAN TANK DESTROYER Sd.Kfz.173 JAGDPANTHER G1

Early Production

w/Zimmerit



JASON 2019

Designed by
TAKOM Studio
by China
Zimmerit Pattern
created by
JASON

• DETAILED 8 PARTS BISHOPRY PLASTIC MODEL
• TRACK ASSEMBLY IS AIDED WITH THE USE OF A RUBBER LINK & LENGTH STYLE TRACKS INCLUDED
• ALL HATCHES CAN BE BUILT IN OPEN OR CLOSED POSITION
• 6 TYPES OF MARKINGS
• FIGURE NOT INCLUDED

1/35
No. 2125

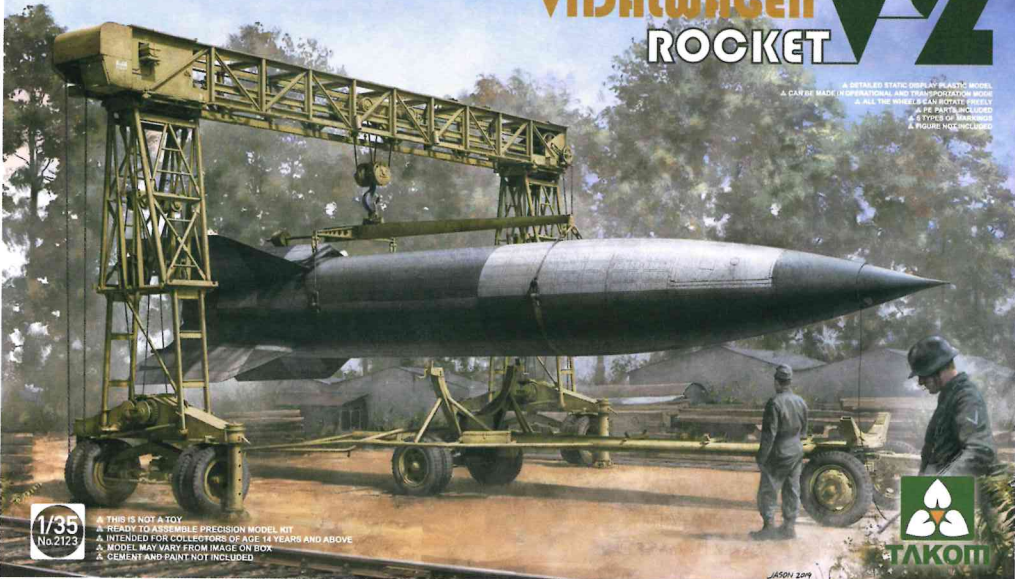
• THIS IS NOT A TOY
• READY TO ASSEMBLE PRECISION MODEL KIT
• INTENDED FOR COLLECTORS OF AGE 14 YEARS AND ABOVE
• MODEL MAY VARY FROM IMAGE ON BOX
• CEMENT AND PAINT NOT INCLUDED

Full Interior

STRATENWERTH 16T STRABOKRAN VIDALWAGEN ROCKET V2

1944/45 Production

• DETAILED STATIC DISPLAY PLASTIC MODEL
• A CAR BE MADE (EXPERIMENTAL AND TRANSPORTATION BOSS)
• ALL THE WHEELS CAN ROTATE FREELY
• 4 PAIR OF WHEELS
• 8 TYPES OF MARKINGS
• FIGURE NOT INCLUDED



JASON 2019

1/35
No. 2123

• THIS IS NOT A TOY
• READY TO ASSEMBLE PRECISION MODEL KIT
• INTENDED FOR COLLECTORS OF AGE 14 YEARS AND ABOVE
• MODEL MAY VARY FROM IMAGE ON BOX
• CEMENT AND PAINT NOT INCLUDED



U.S. ARMY 1/4 TON UTILITY TRUCK WITH 1/4 TON UTILITY TRAILER & MP FIGURE

• DETAILED STATIC DISPLAY PLASTIC MODEL
• PEACEFUL PARTS INCLUDED
• 5 TYPES OF MARKINGS
• FIGURE INCLUDED



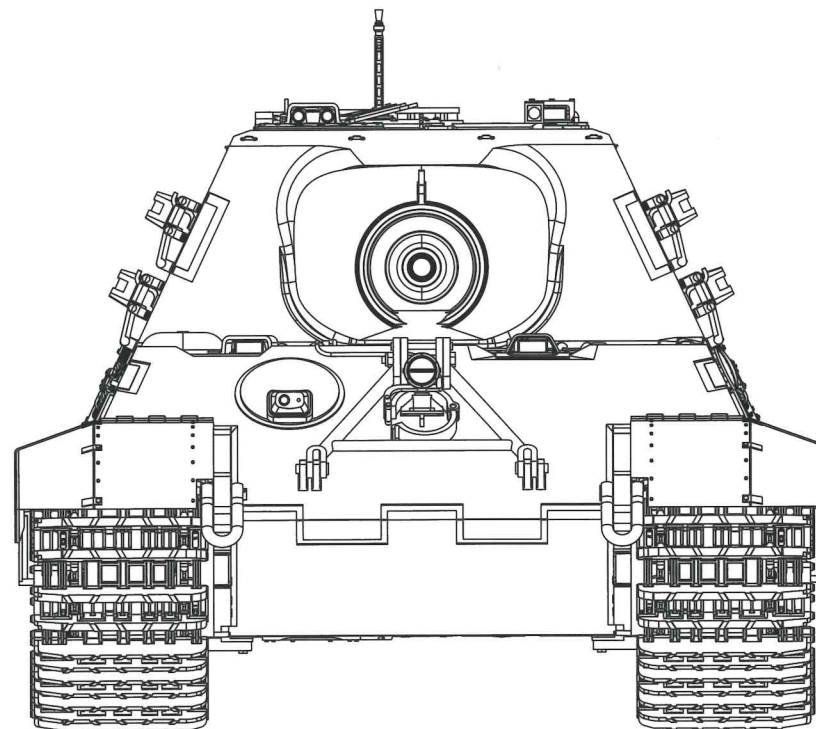
Figure sculpted by
JASON



• THIS IS NOT A TOY
• READY TO ASSEMBLE PRECISION MODEL KIT
• MODEL MAY VARY FROM IMAGE ON BOX
• CEMENT AND PAINT NOT INCLUDED
• INTENDED FOR COLLECTORS OF AGE 14 YEARS AND ABOVE

1/35
No. 2126

2020/8003



 You can find TAKOM on Facebook.com