



US GMC CCKW-352 Machine Gun Turret Version

GMC CCKW-352 カーゴトラック (機関銃装備)

美国GMC CCKW-352车载机枪塔

PLEASE READ BEFORE OPERATION!

- * Tools recommended as below: (Not included)
Adhesives; Paints; Side Cutters; Sharp Edged Pliers; Modeling Knife; Modeling File; Nippers; Drill; Scissors; Sand Paper; Soft Cloth; Cyanoacrylate Glue.
- * Make sure to read this instruction listed below before assembling.
- * The kit contains the small parts, they can be dangerous if swallowed by mistake, so keep them away from reach of children.
- * Cut the all parts off carefully and remove the waste parts into the garbage can.
- * More caution and care should be needed for cutting and handling the photo etched parts.
- * Make attention that some parts should be attached the decal when assembled.
- * During assembling, please tear up and throw away the plastic bags, or may cause the dangerous if wearing over head by children's mistake.
- * When using the adhesives and paints, please do not use them in the closed room or near the fire, also must be very careful to protect your eyes, face and clothes.
- * Adult supervised when assembled by children under 14 years old.

装配前请仔细阅读:

- * 推荐使用的模型工具(请自备):
专用模型胶水, 专用模型油漆, 水口剪刀, 长咀钳, 刀片, 锉刀, 镊子钳, 钻, 剪刀, 软布, 砂纸, 瞬间快干胶等。
- * 用水口剪刀或刀片小心切下所有塑胶零件和蚀刻片零件, 不要遗失小零件。
- * 切取蚀刻片时应特别注意防止利边划伤手指。
- * 用模型锉刀小心锉平所有零件表面的注射浇口。
- * 用适量的强力快干胶水粘合蚀刻片零件和金属轴, 切忌过量, 否则可能导致可动零件被粘住。
- * 注意某些零件表面需在装配时同步贴上水贴纸。
- * 制作时应远离幼儿并将包装袋及时收妥, 谨防小孩玩耍而引起意外。



cyanoacrylate glue
强力胶



weight
配重



make hole
钻孔



cut / remove
切除



option
选择



no cement
不涂胶水



decal
贴纸



bend
弯曲



repair
填补

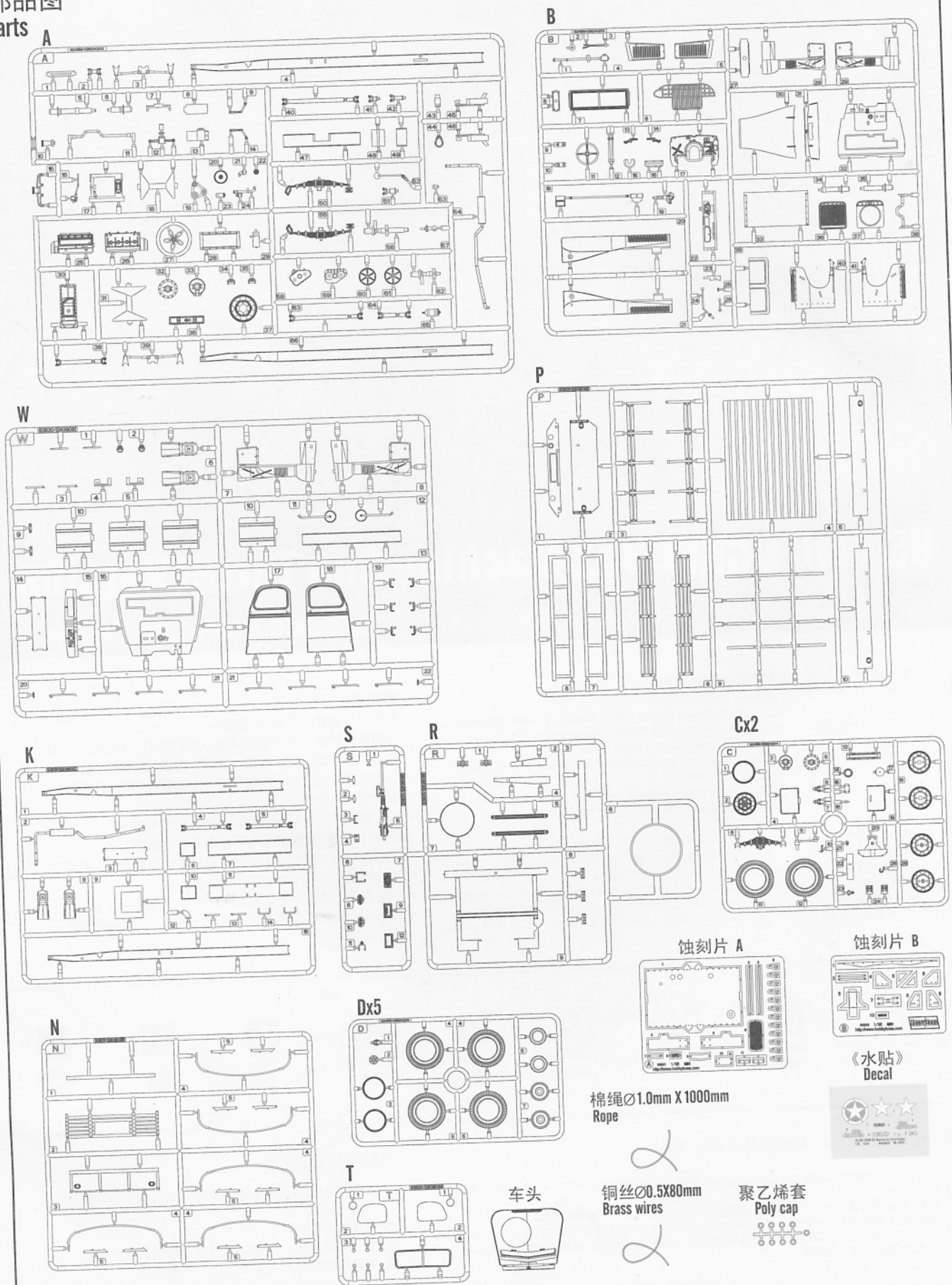
The method to apply the decals

1. Cut off the decal from the decal paper and put it into the warm water 40°C for 10 seconds.
2. Take the decal from the water and put it on a piece of clean cloth.
3. Remove the decal slowly from the paper to the targeted location by a wet finger.
4. Use a piece of dry and soft cloth to press it gently on the decal until it getting dry and no bubble existing.

水贴纸的使用方法:

- 一. 把相关的印花从水贴上剪下, 放入40°C左右的温水中浸10秒。
- 二. 然后将印花放在干净的布上。
- 三. 拿上印花纸板, 手指蘸水将印花移到适当的位置。
- 四. 用软干布轻压印花直至水干, 气泡消失。

部品图
Parts



棉绳 $\varnothing 1.0\text{mm} \times 1000\text{mm}$
Rope

铜丝 $\varnothing 0.5 \times 80\text{mm}$
Brass wires

聚乙烯套
Poly cap

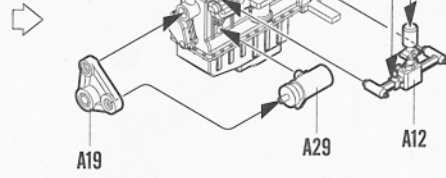
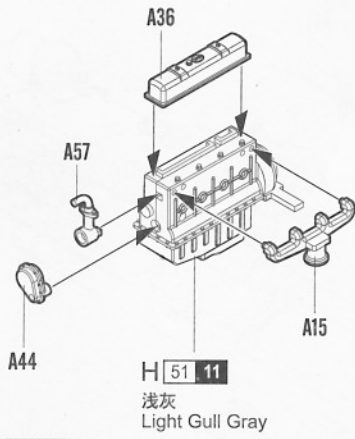
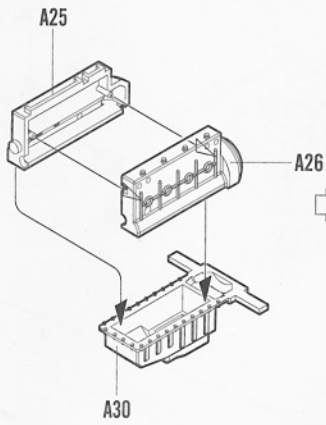
蚀刻片 A

蚀刻片 B

《水贴》
Decal

车头

1
STEP

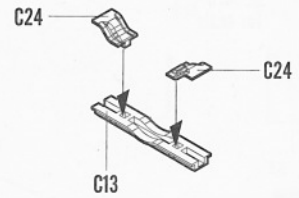
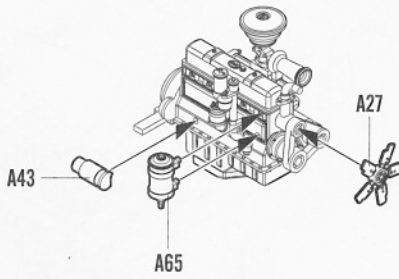
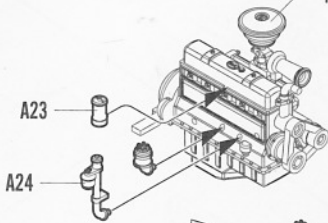


A20

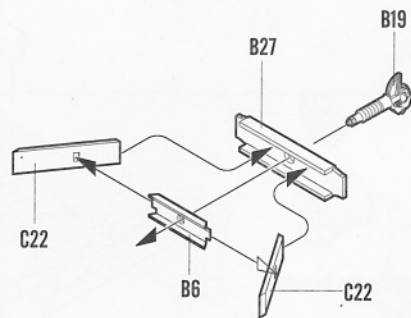
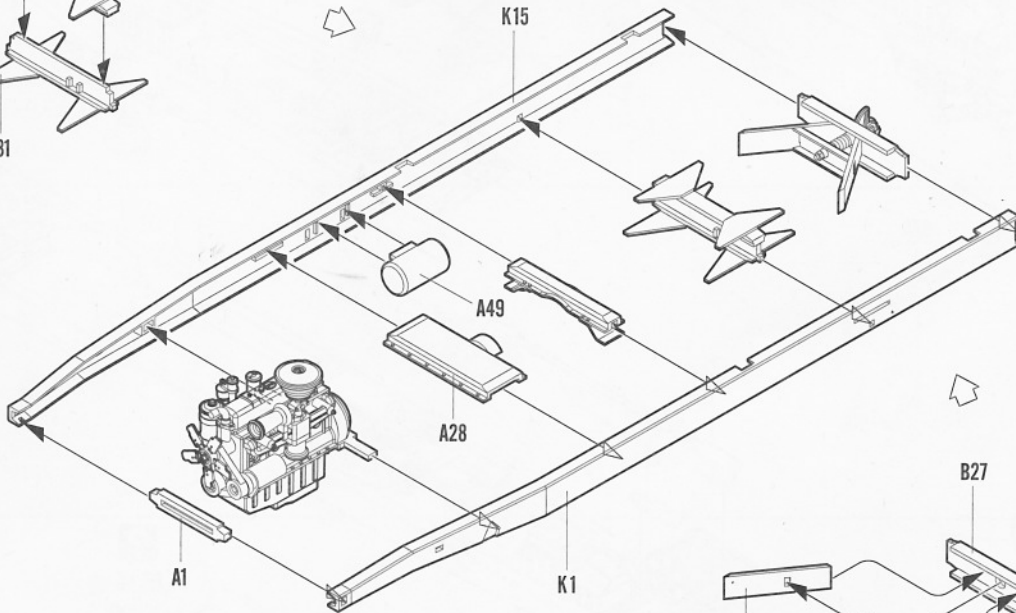
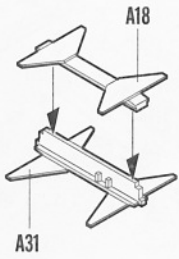
A10

H 51 11
浅灰
Light Gull Gray

H 12 33
消光黑
Flat black



制作2组
Make two



2
STEP

全比例
For scale



PE-A5
弯曲
Bend

全比例
For scale



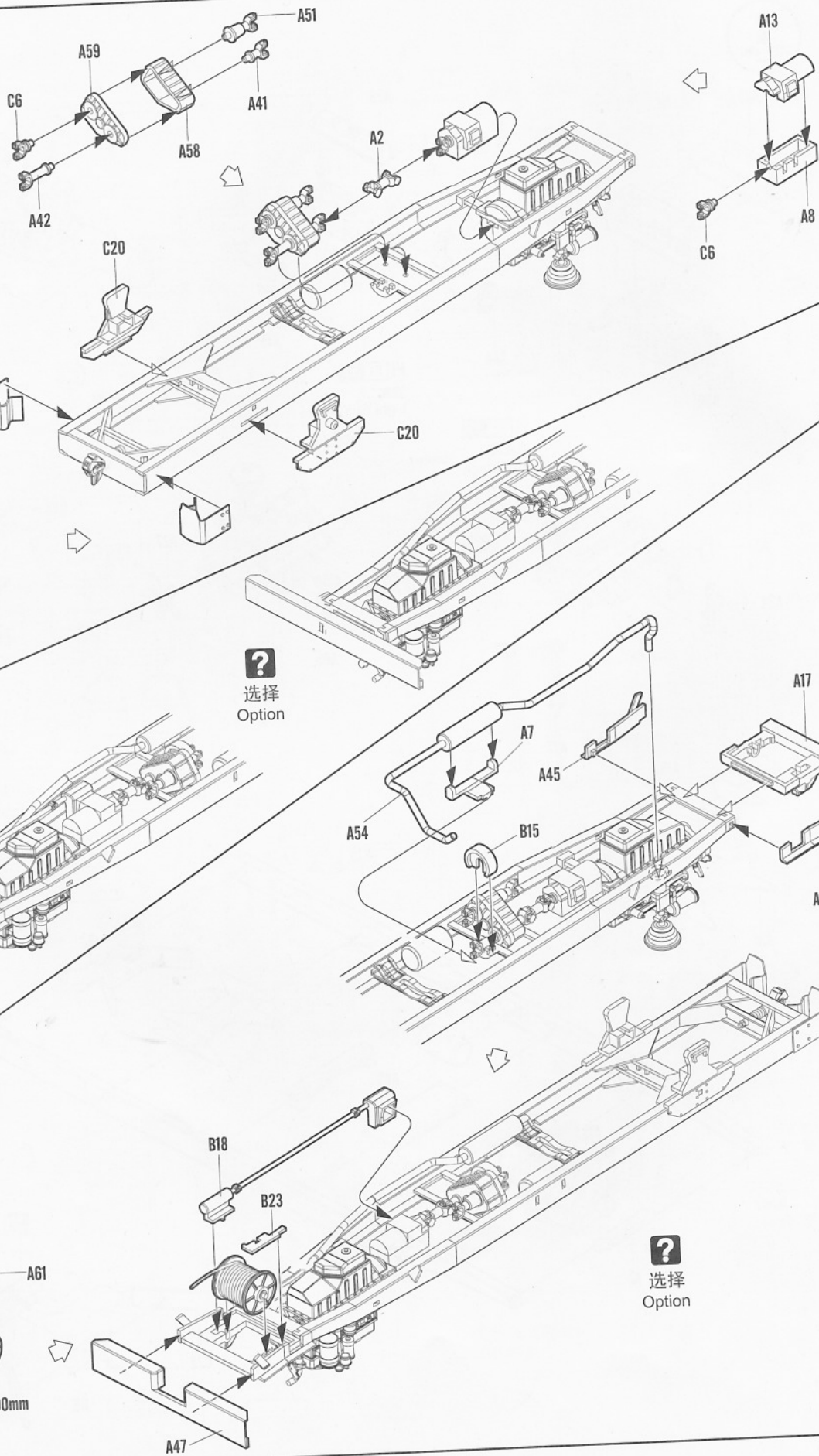
PE-A4
弯曲
Bend

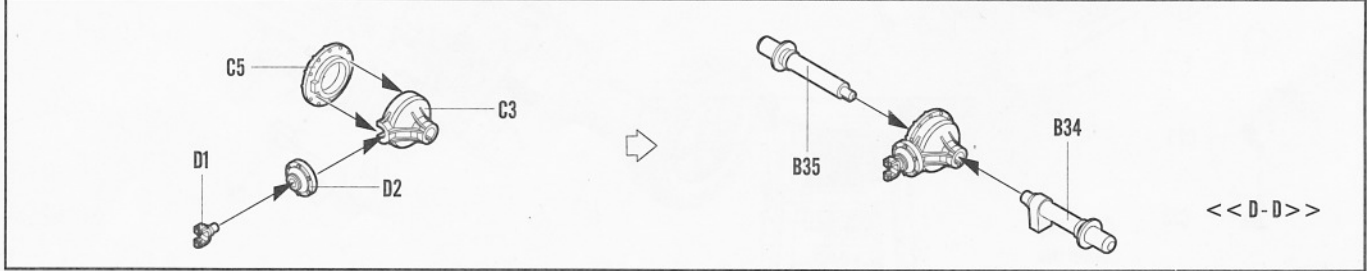
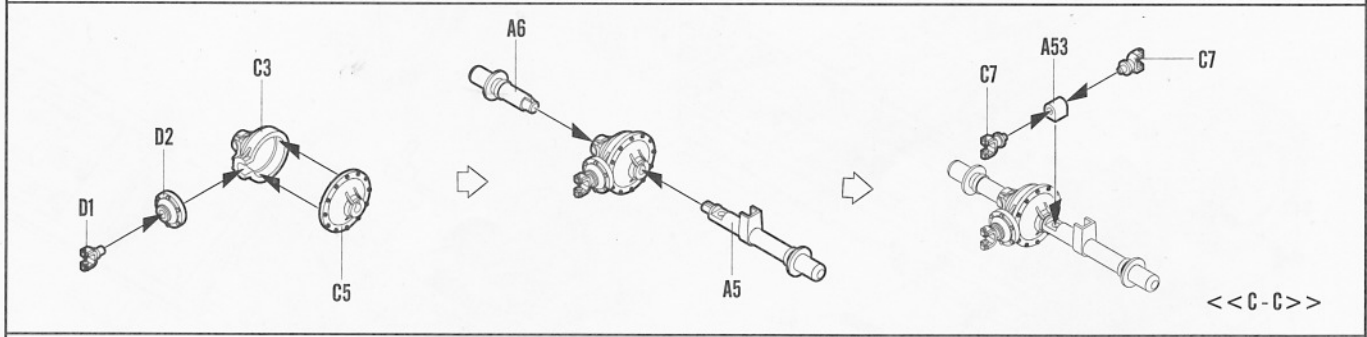
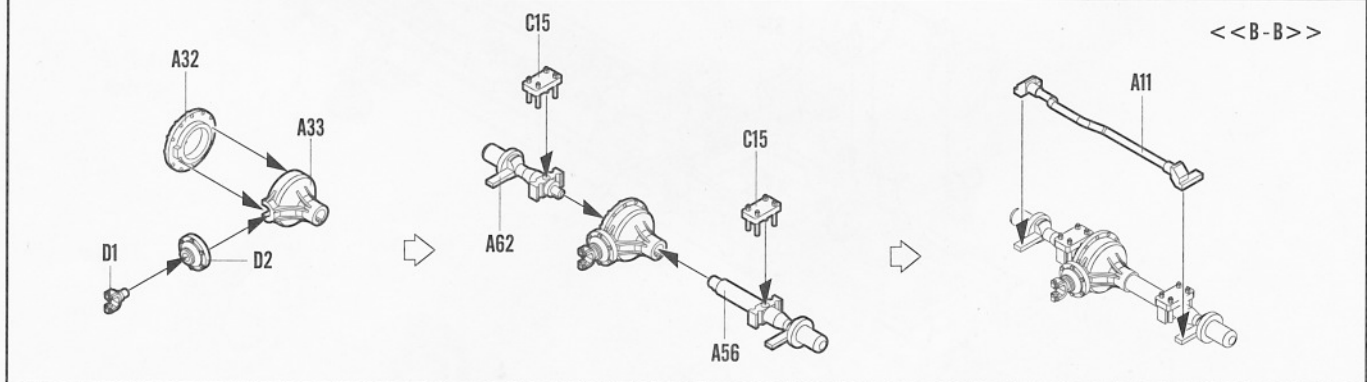
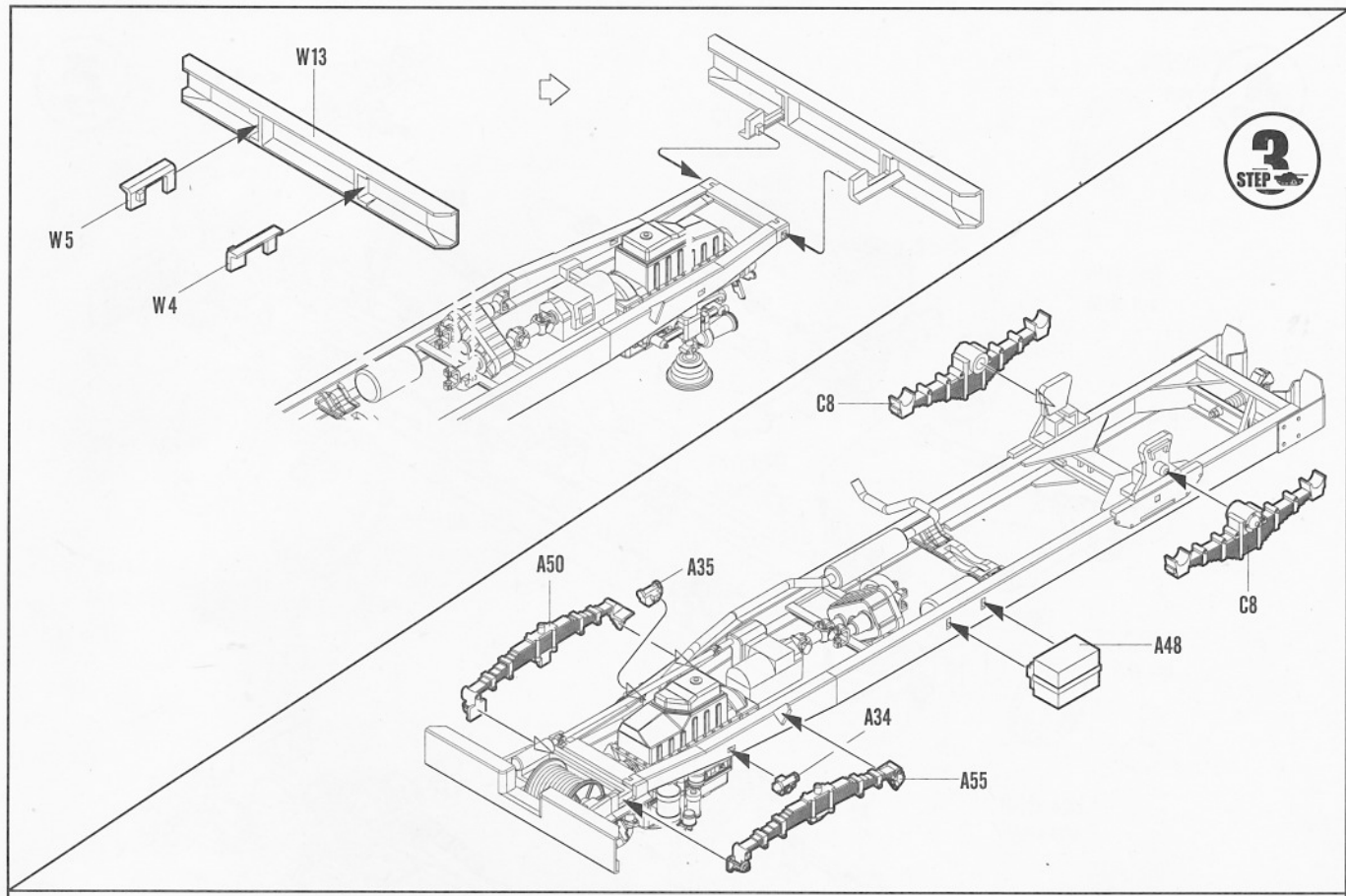
?
选择
Option

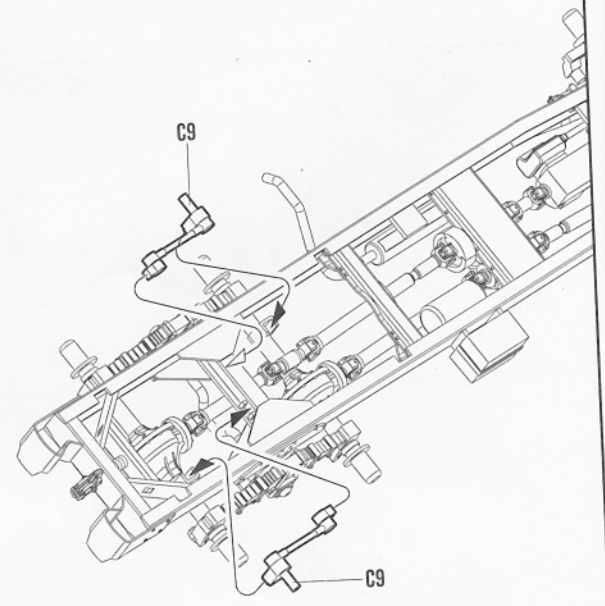
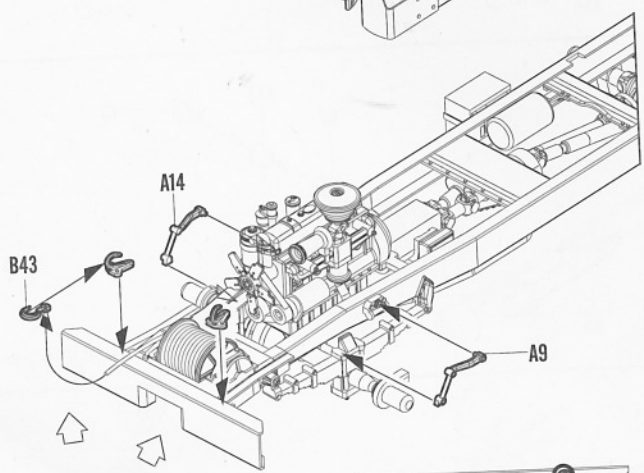
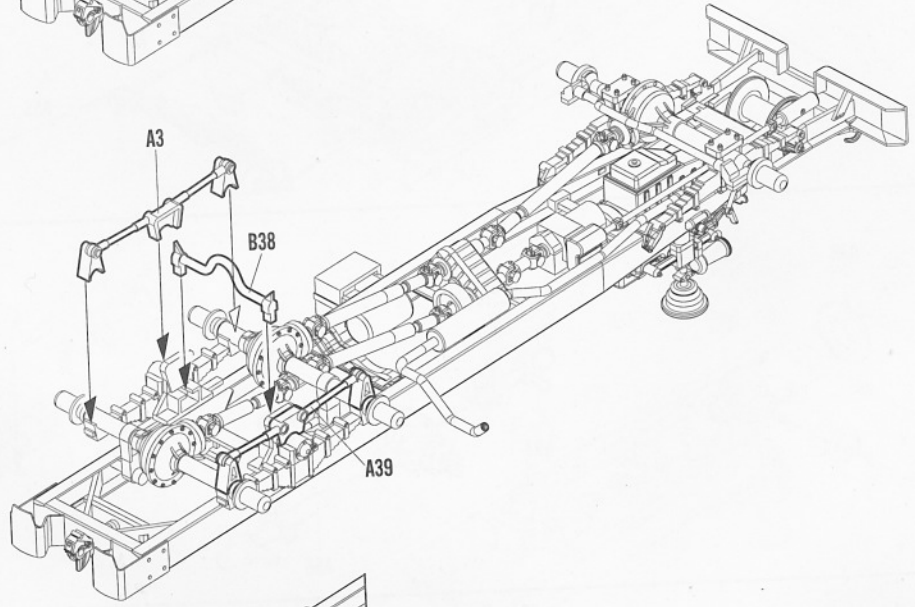
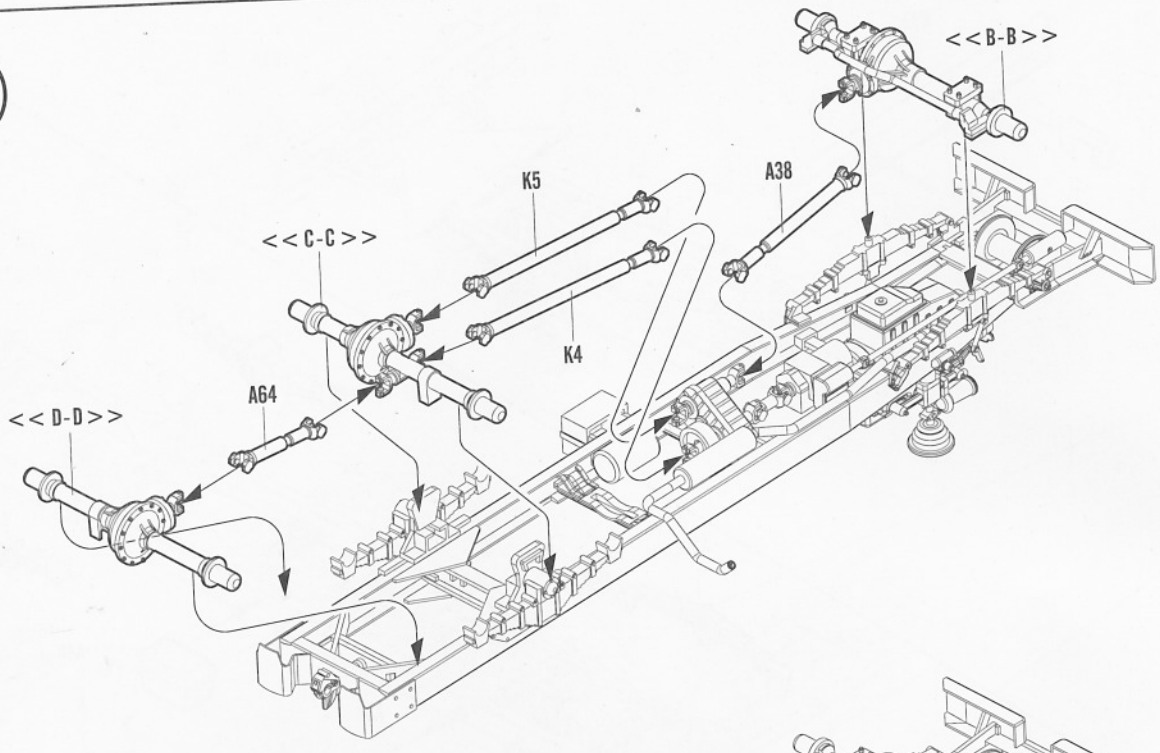
?
选择
Option

棉绳 $\varnothing 1.0 \times 900\text{mm}$
Rope

83833

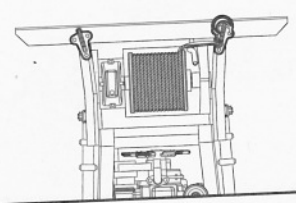


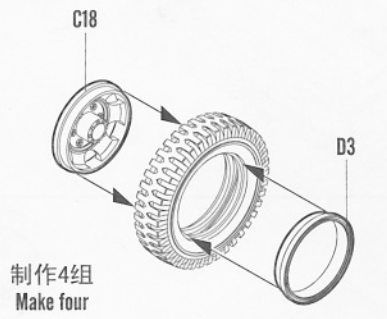
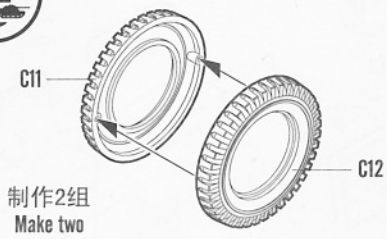




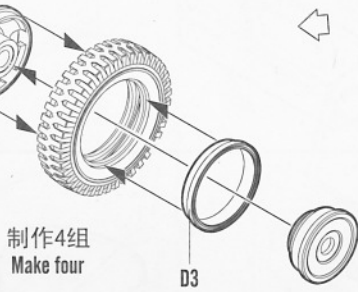
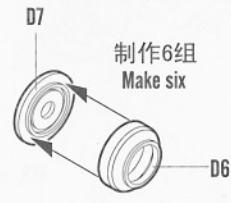
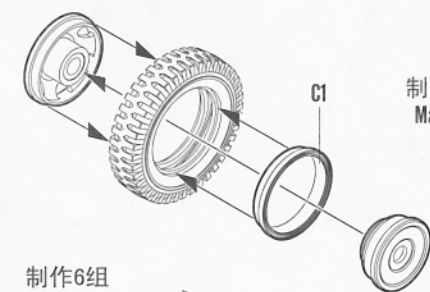
- C25
- C23

制作2组
Make two

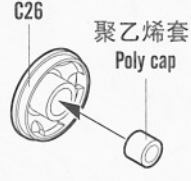
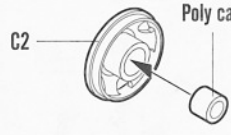




前轮
Front wheel

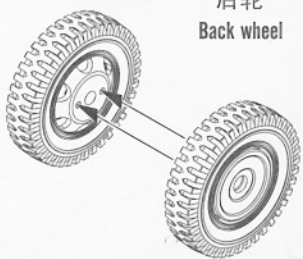


聚乙烯套
Poly cap

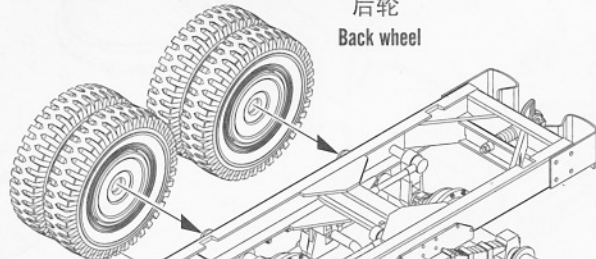


制作4组
Make four

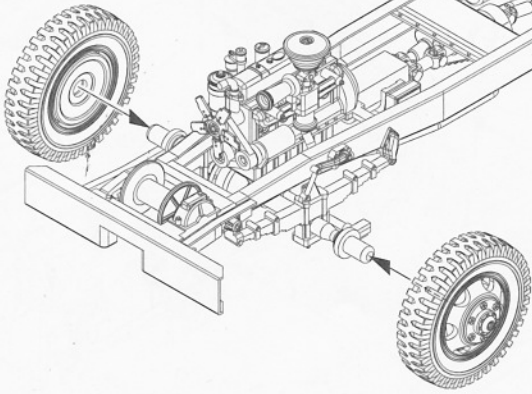
后轮
Back wheel



后轮
Back wheel



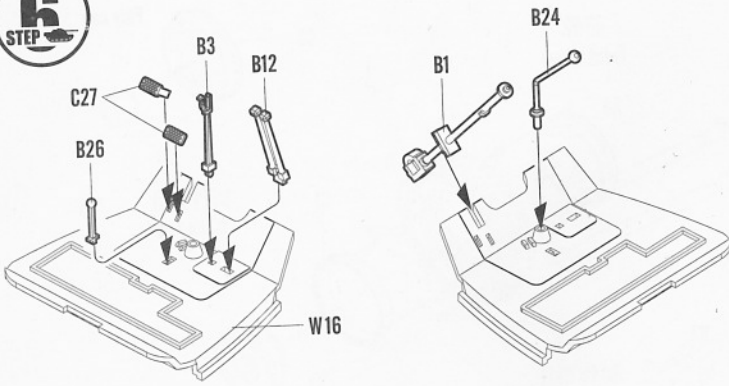
前轮
Front wheel



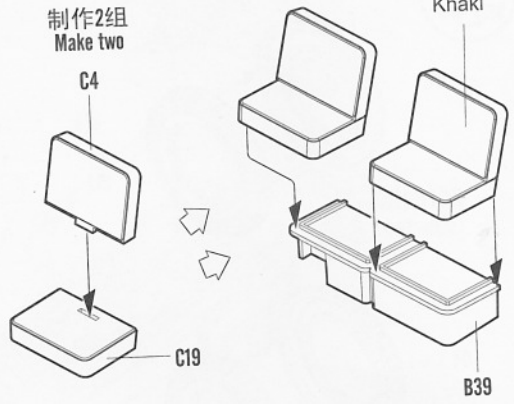
前轮
Front wheel

后轮
Back wheel

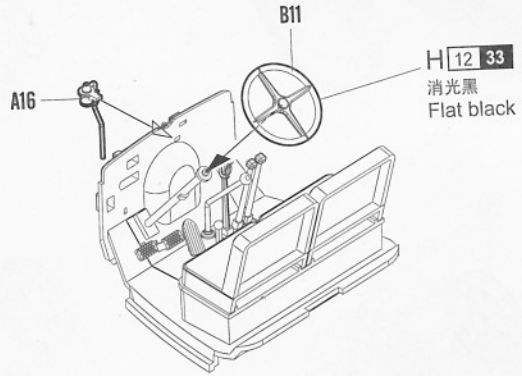
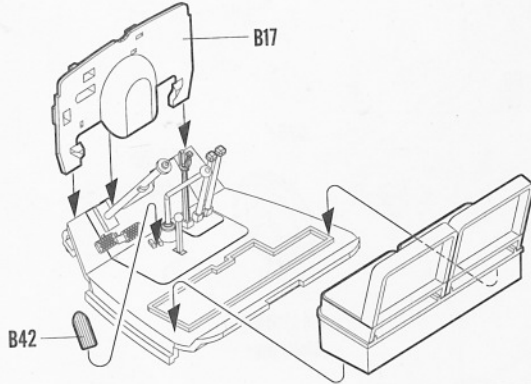
6
STEP



制作2组
Make two

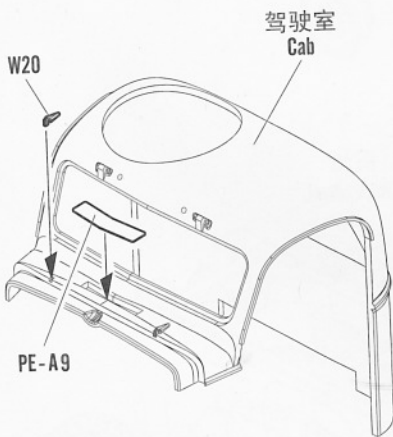


H81 55
卡其色
Khaki

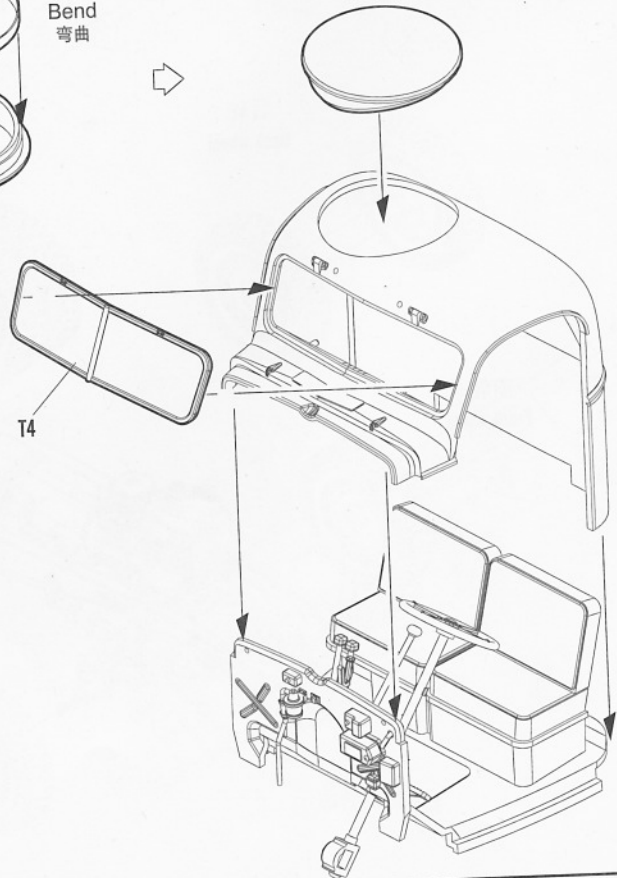


H12 33
消光黑
Flat black

7
STEP



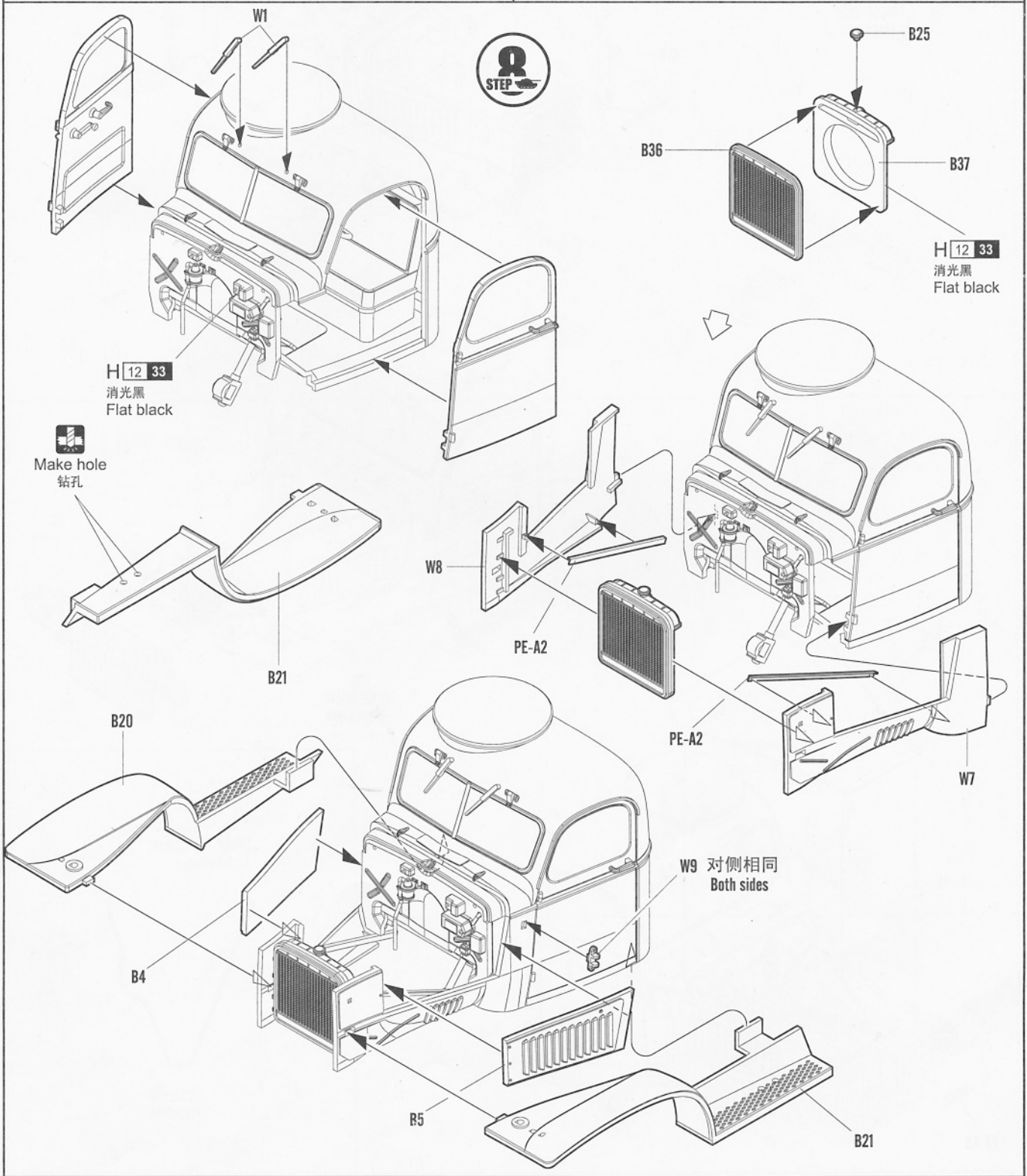
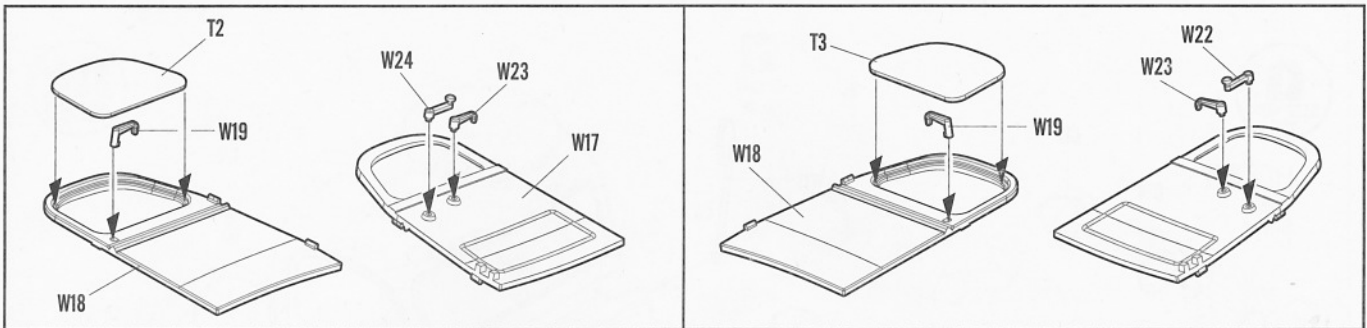
PE-B1
Bend
弯曲



Decal
贴纸 ③

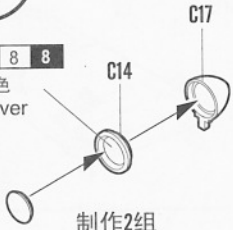
W15

PE-A6

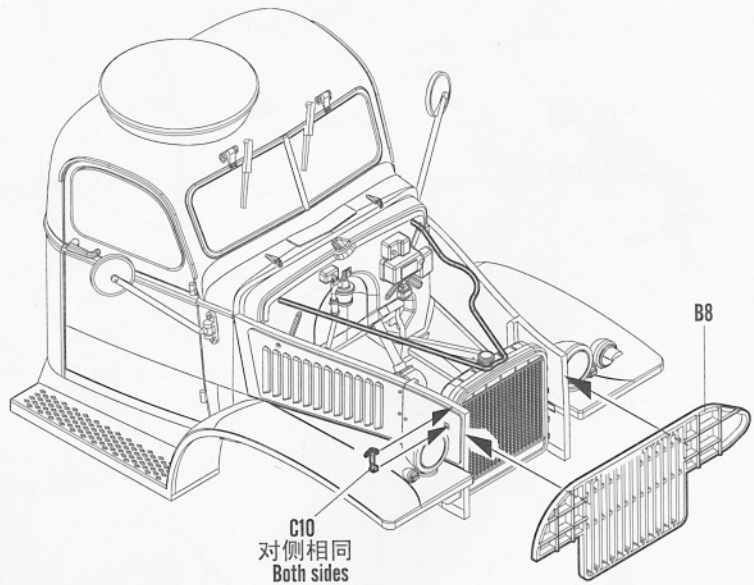
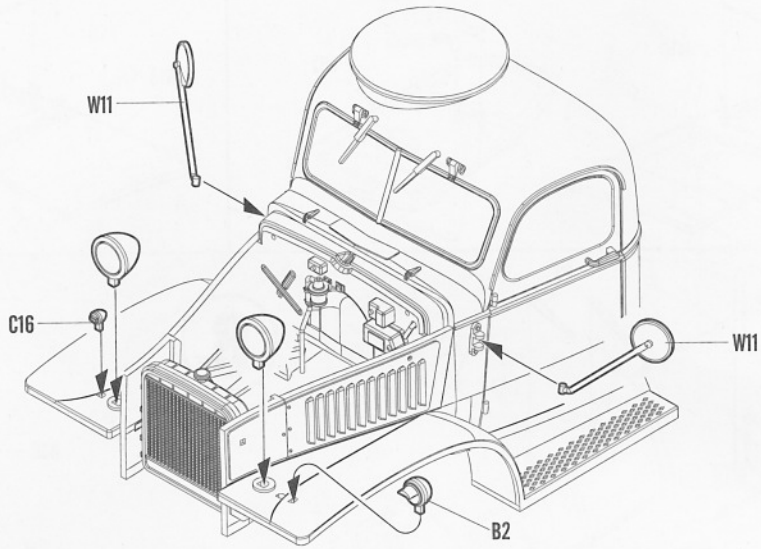




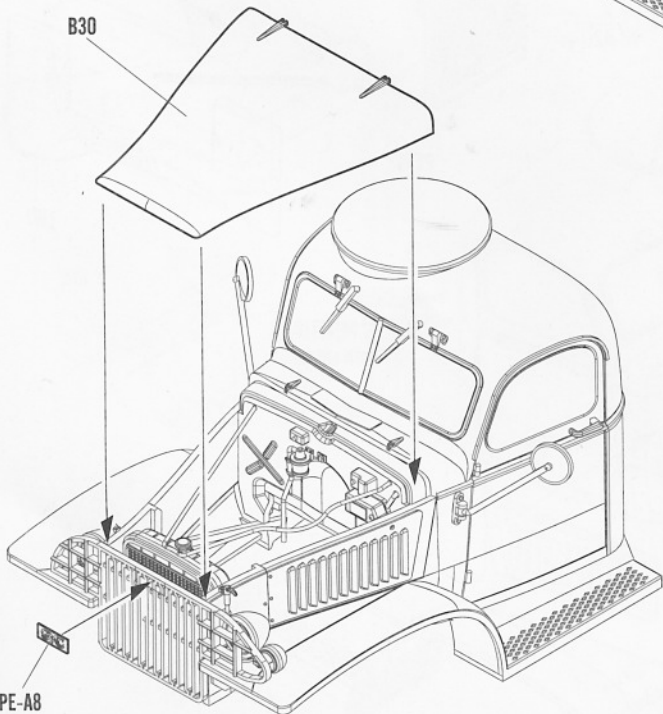
H 8 8
银色
Silver



制作2组
Make two



C10
对侧相同
Both sides

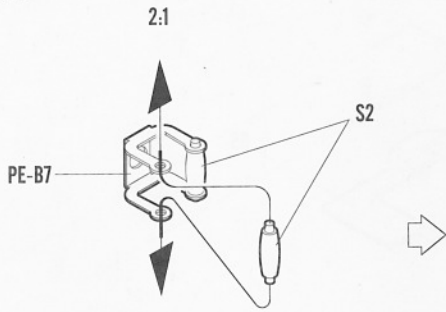


铜丝 $\varnothing 0.5\text{mm}$
Brass wires

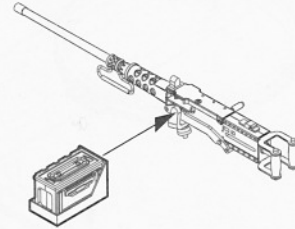
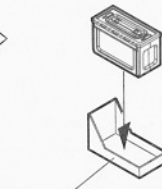
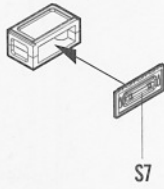
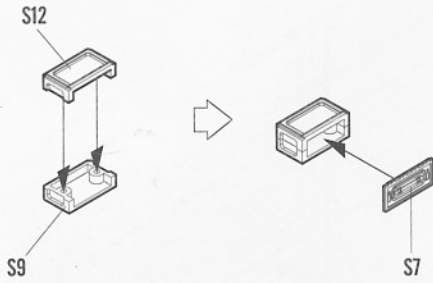
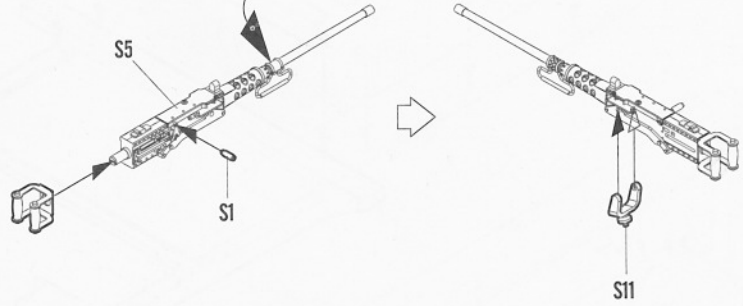


全比例
For scale

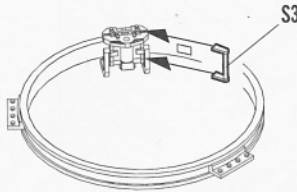
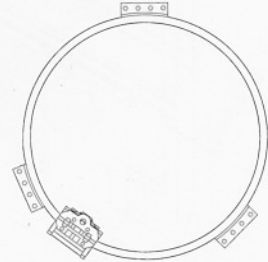
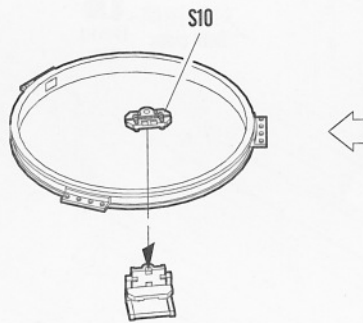
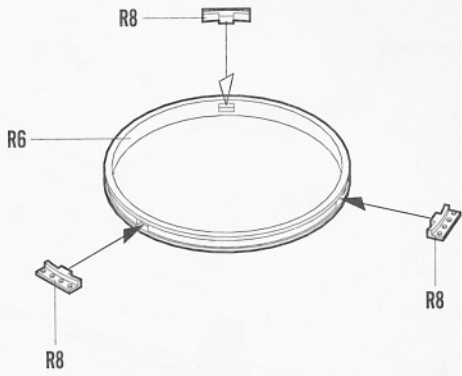
10
STEP



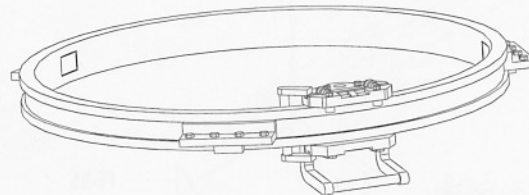
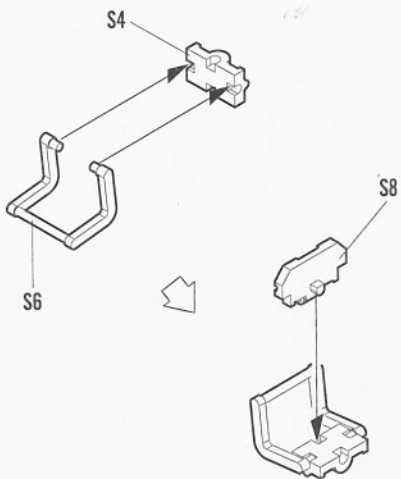
PE-B10
Bend
弯曲



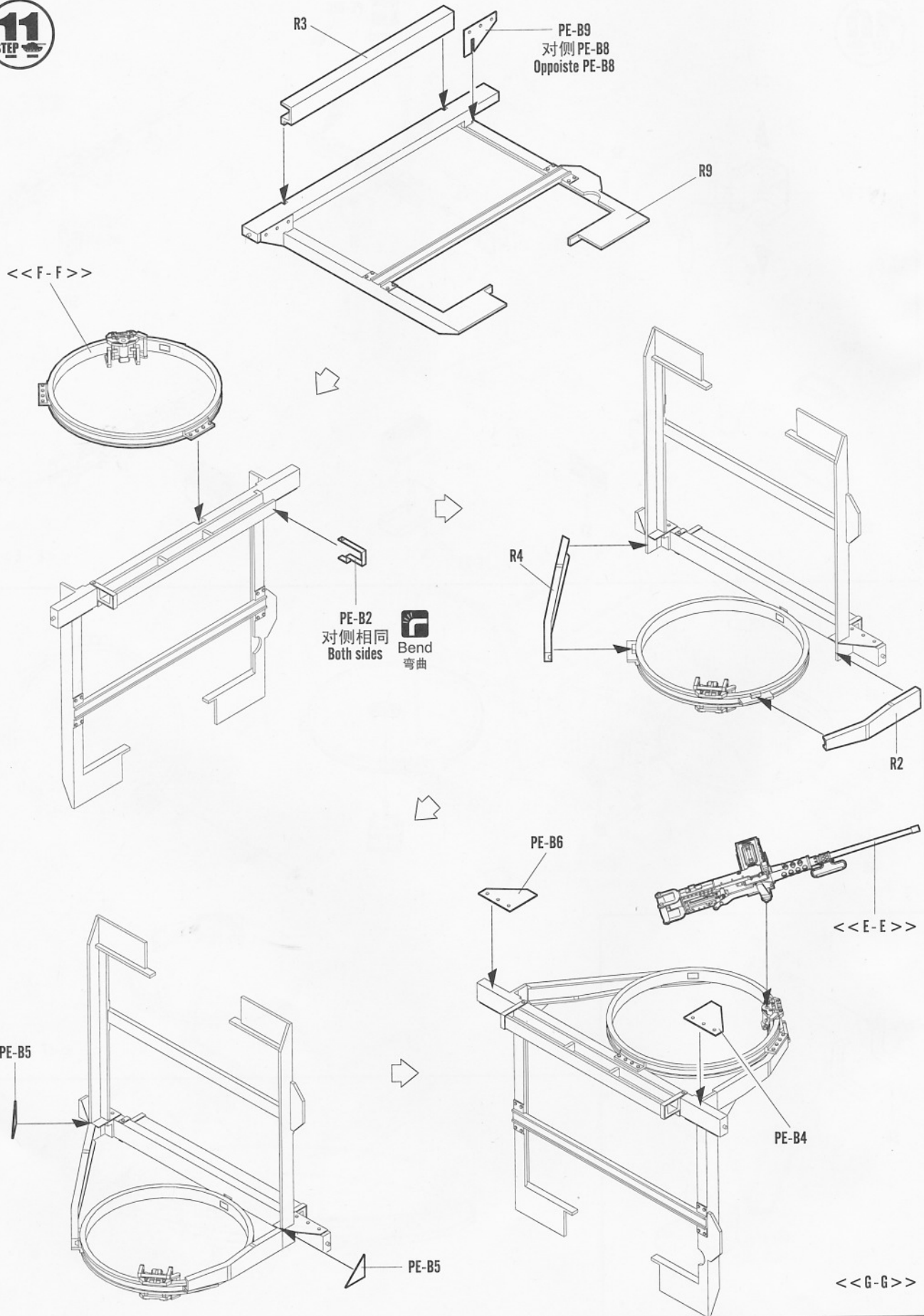
<<E - E>>



<<F - F>>



11
STEP



12
STEP

Bend PE-A3
弯曲

P10

T3

PE-A3
Bend
弯曲

T3

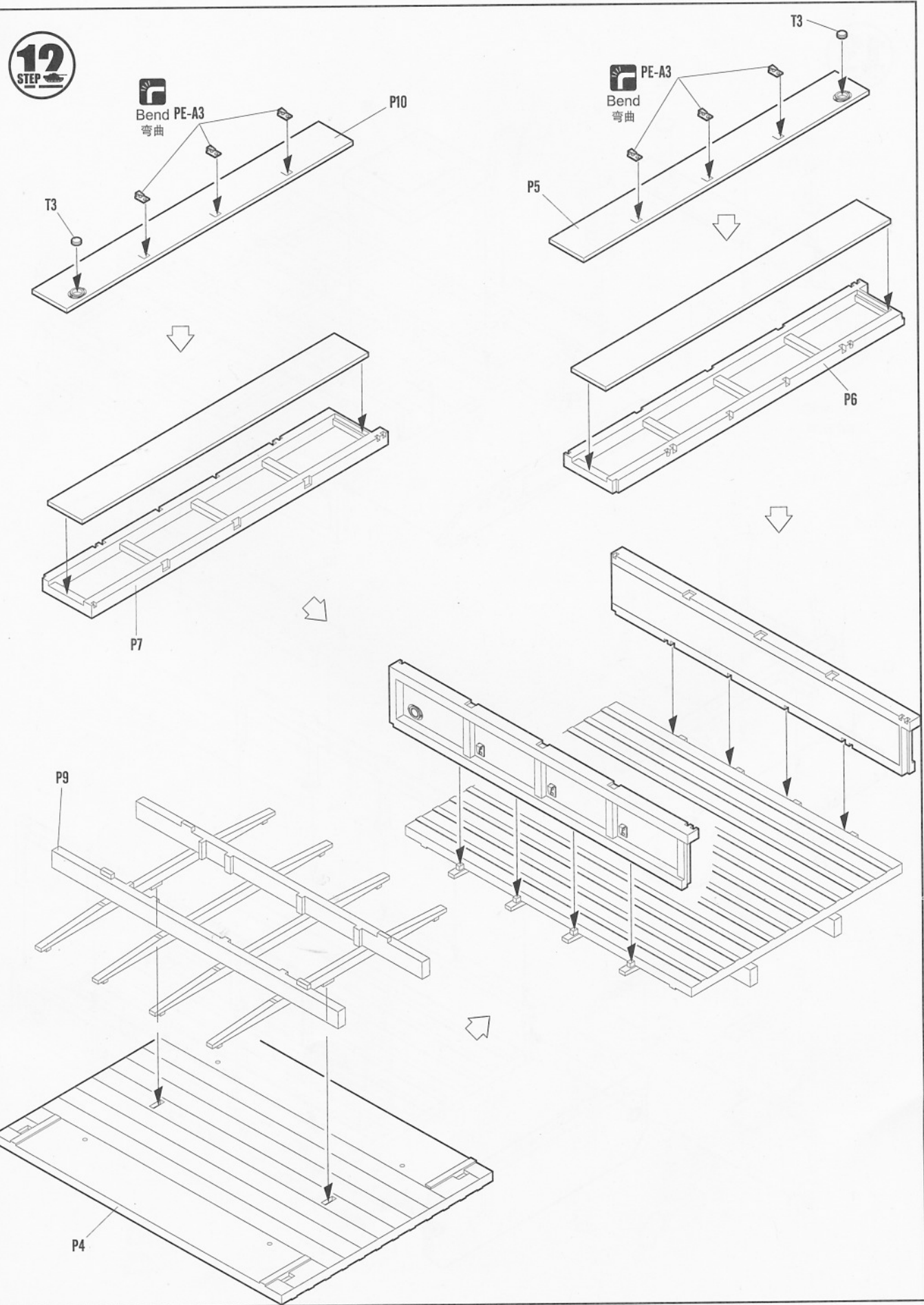
P5

P6

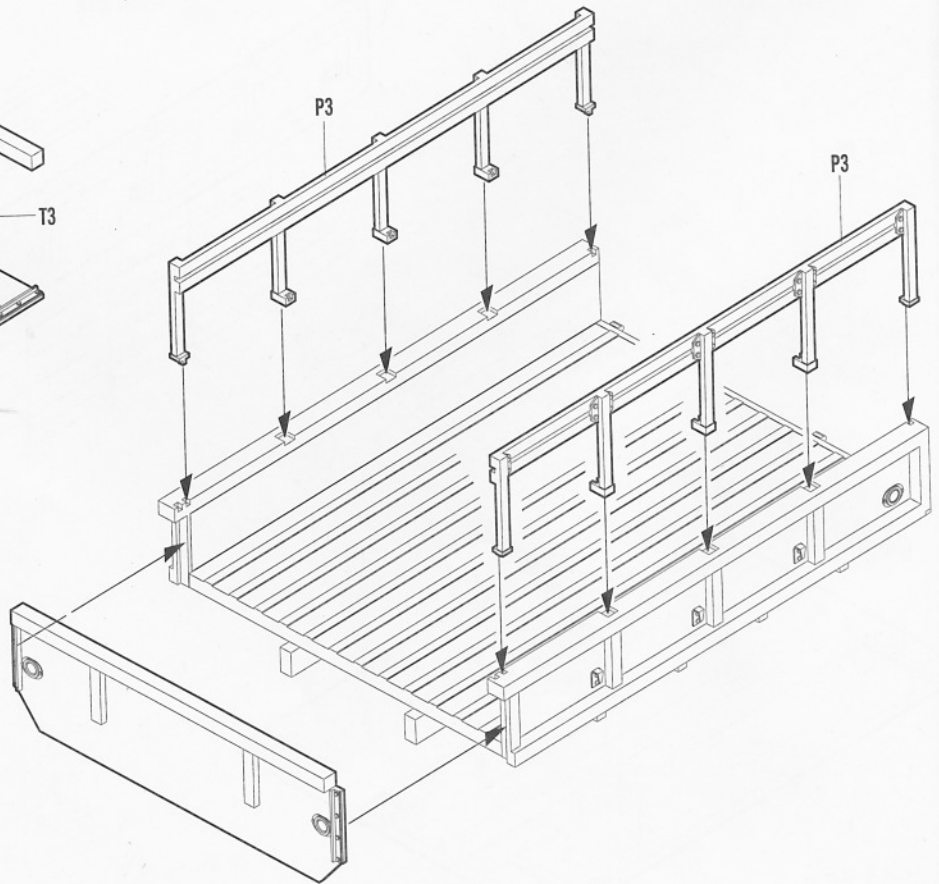
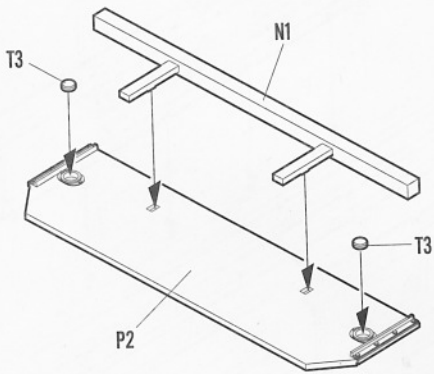
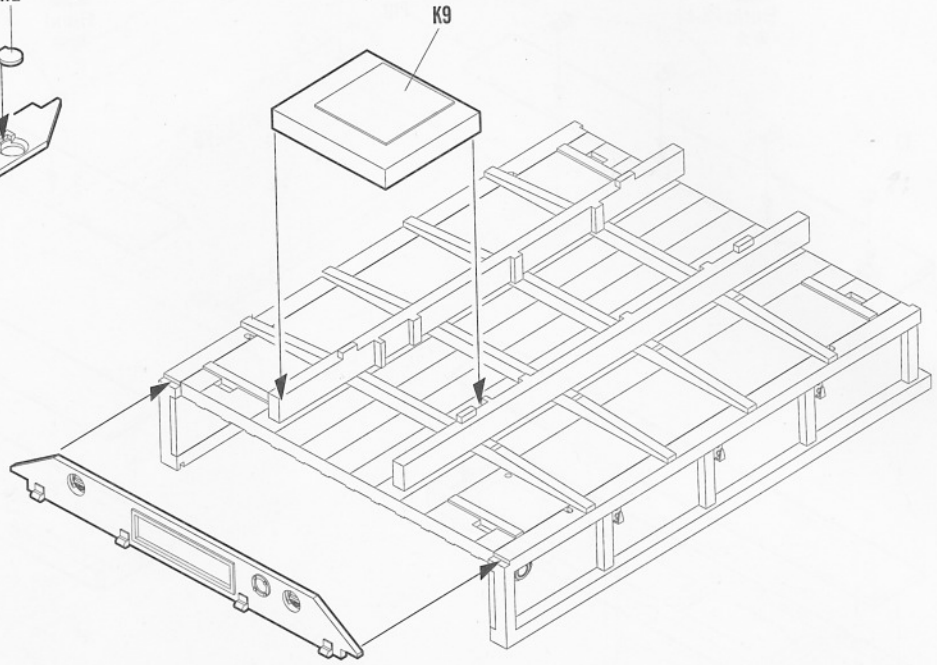
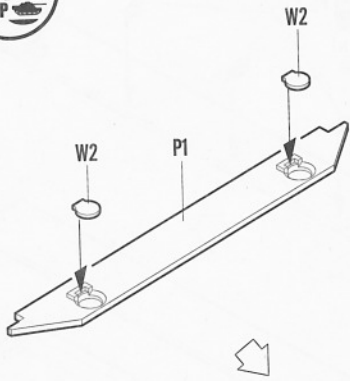
P7

P9

P4



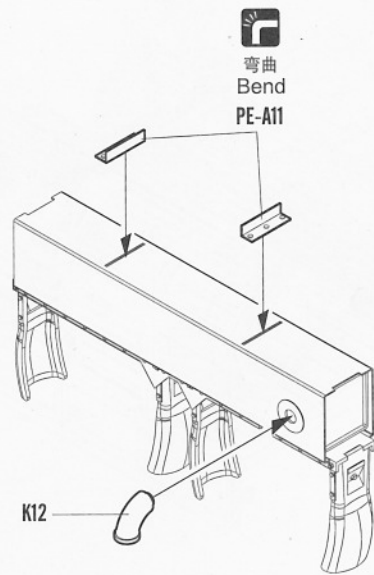
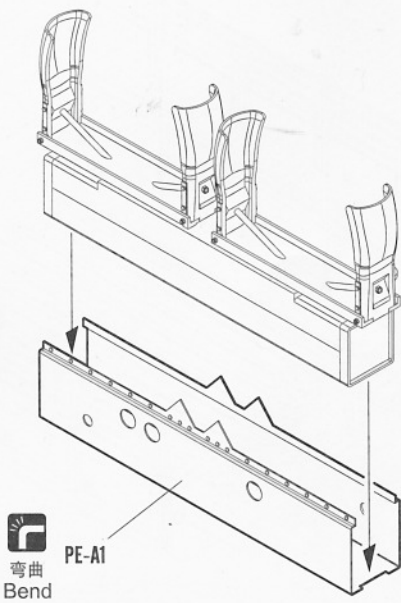
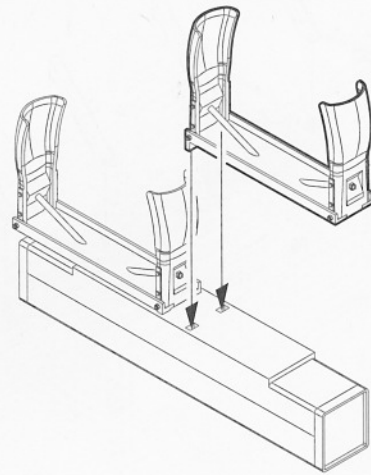
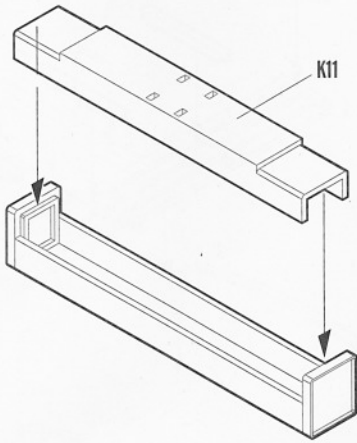
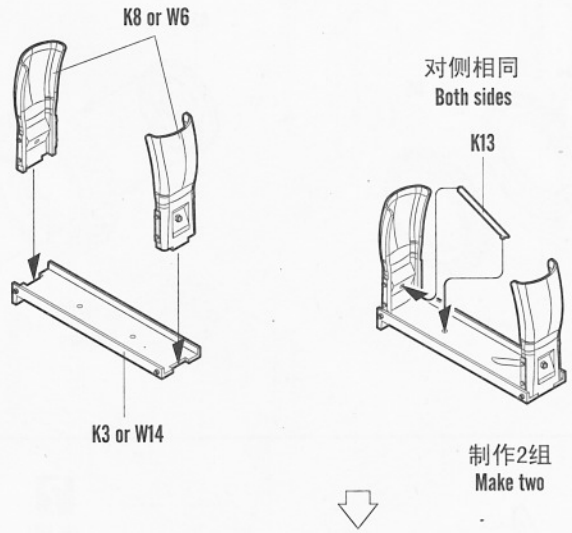
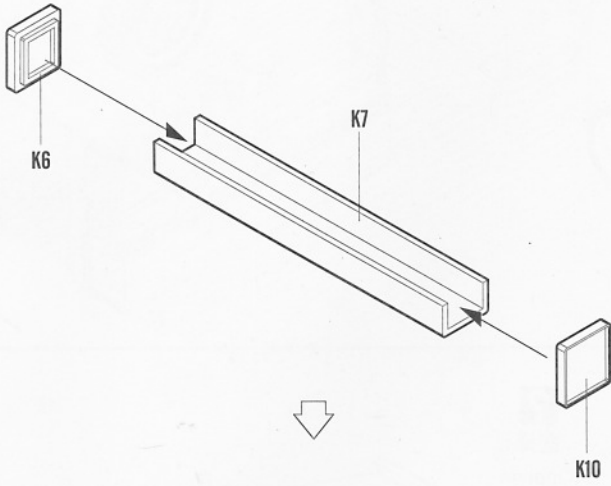
13
STEP



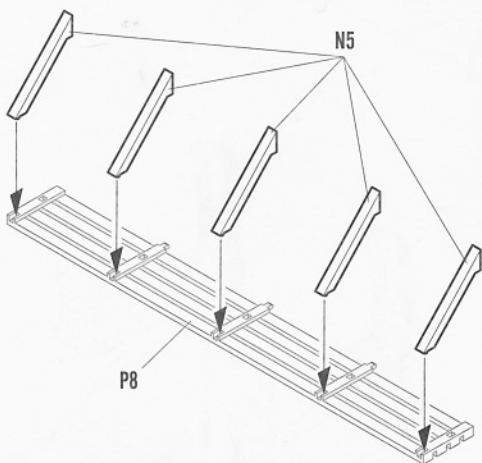
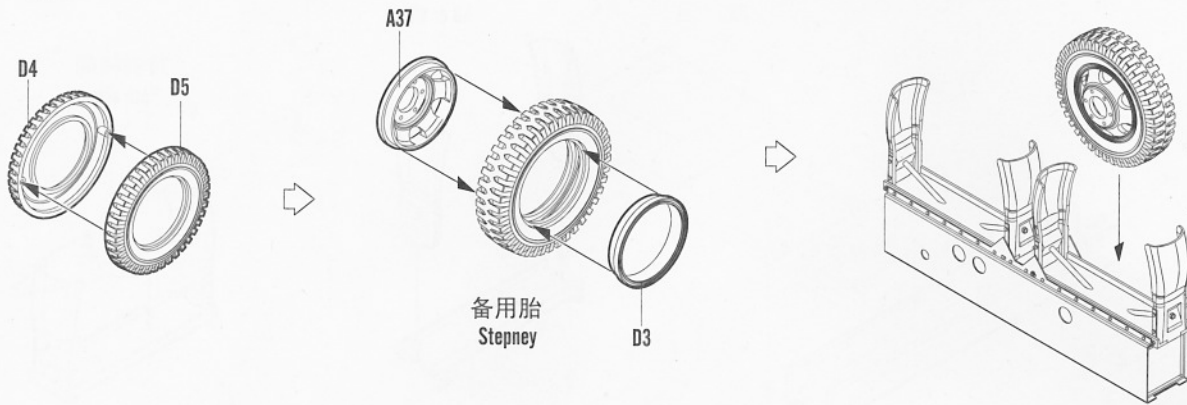
83833

14

1/1
STEP



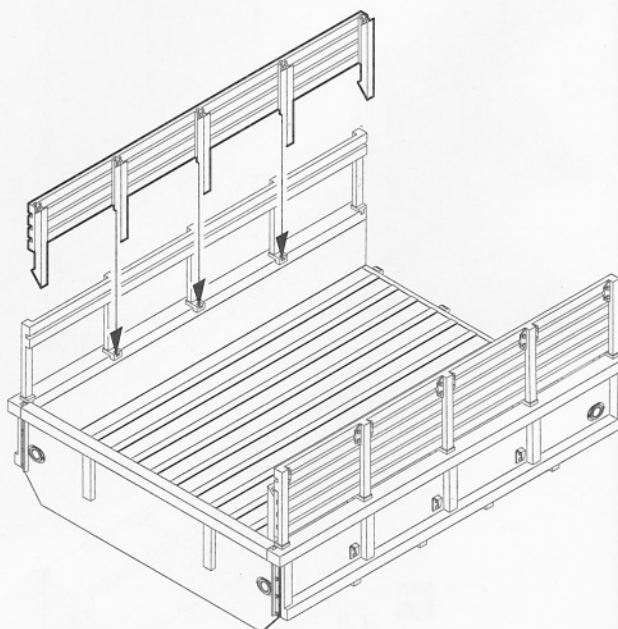
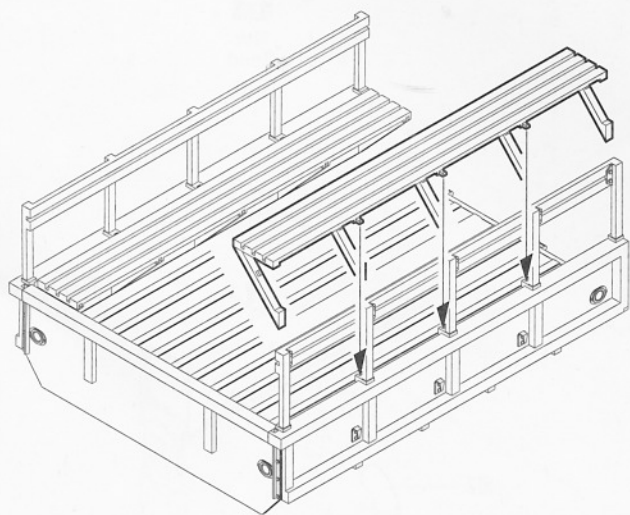
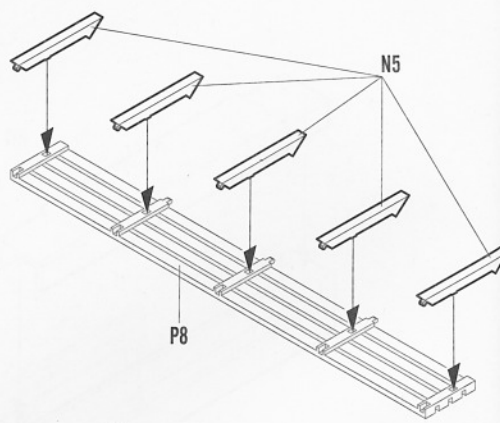
15
STEP



?
选择
Option



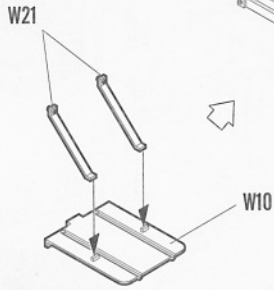
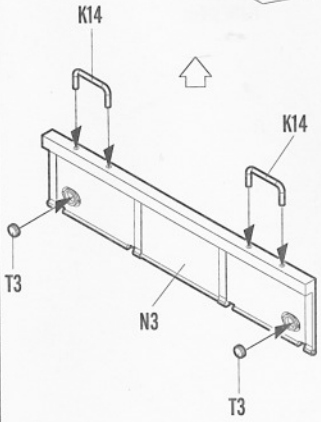
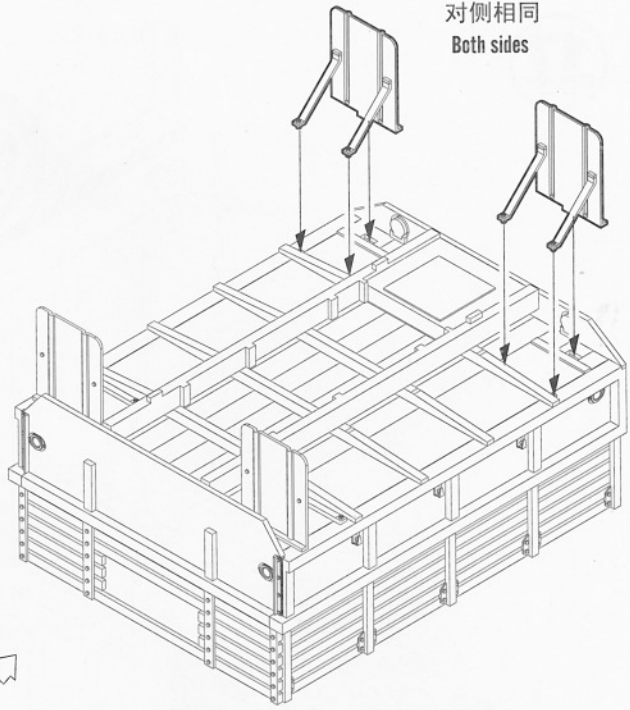
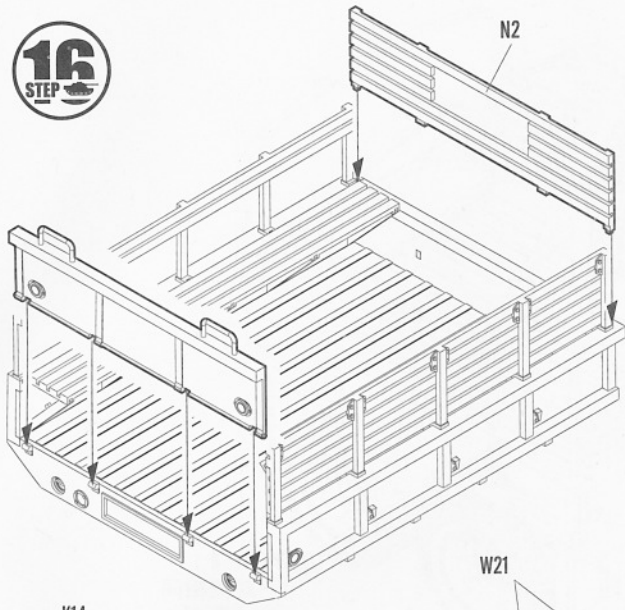
?
选择
Option



16
STEP

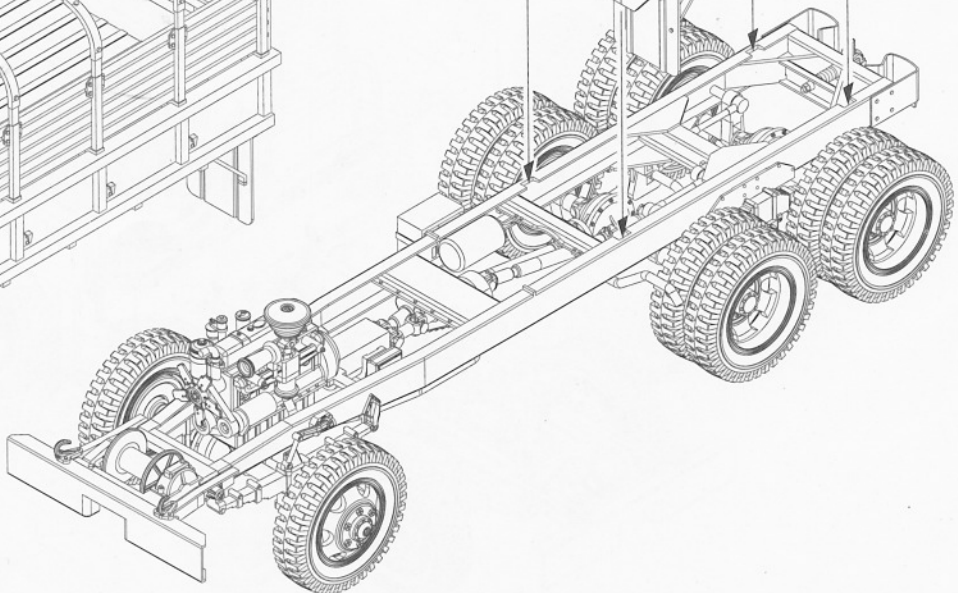
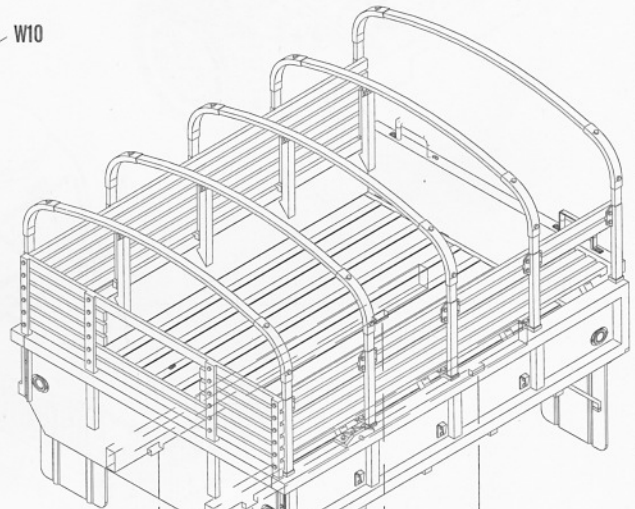
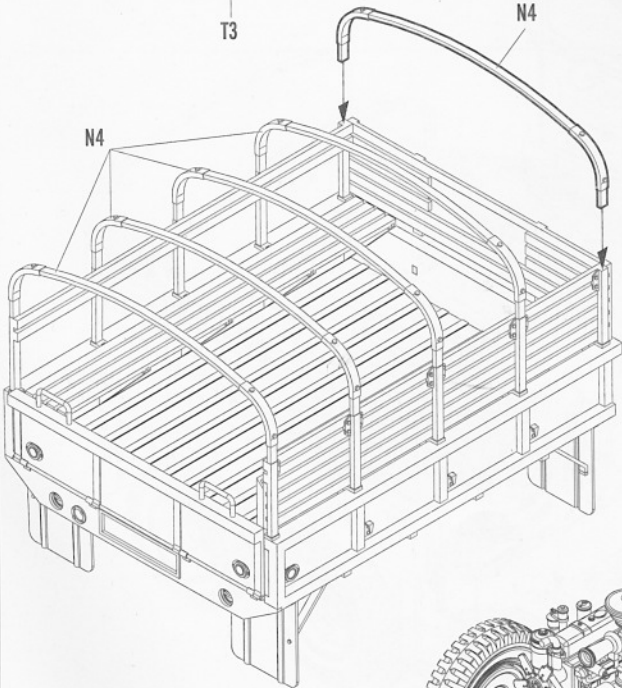
N2

对侧相同
Both sides

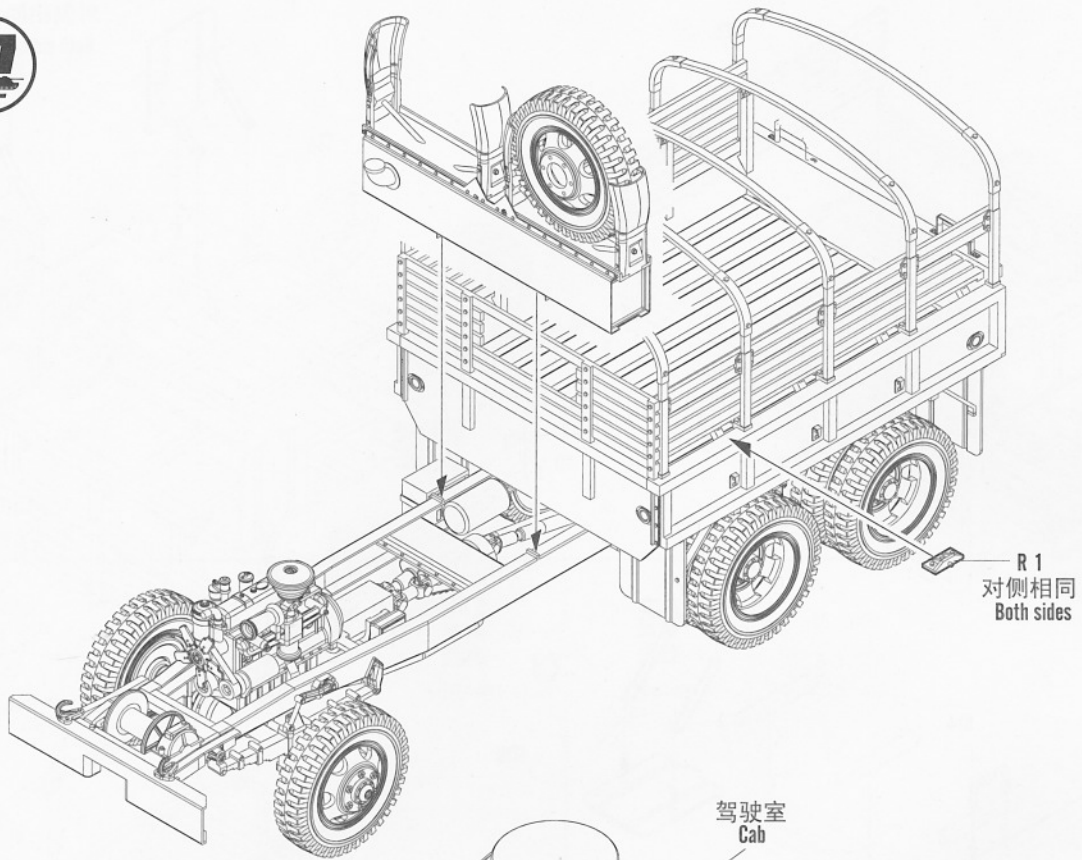


制作4组
Make four

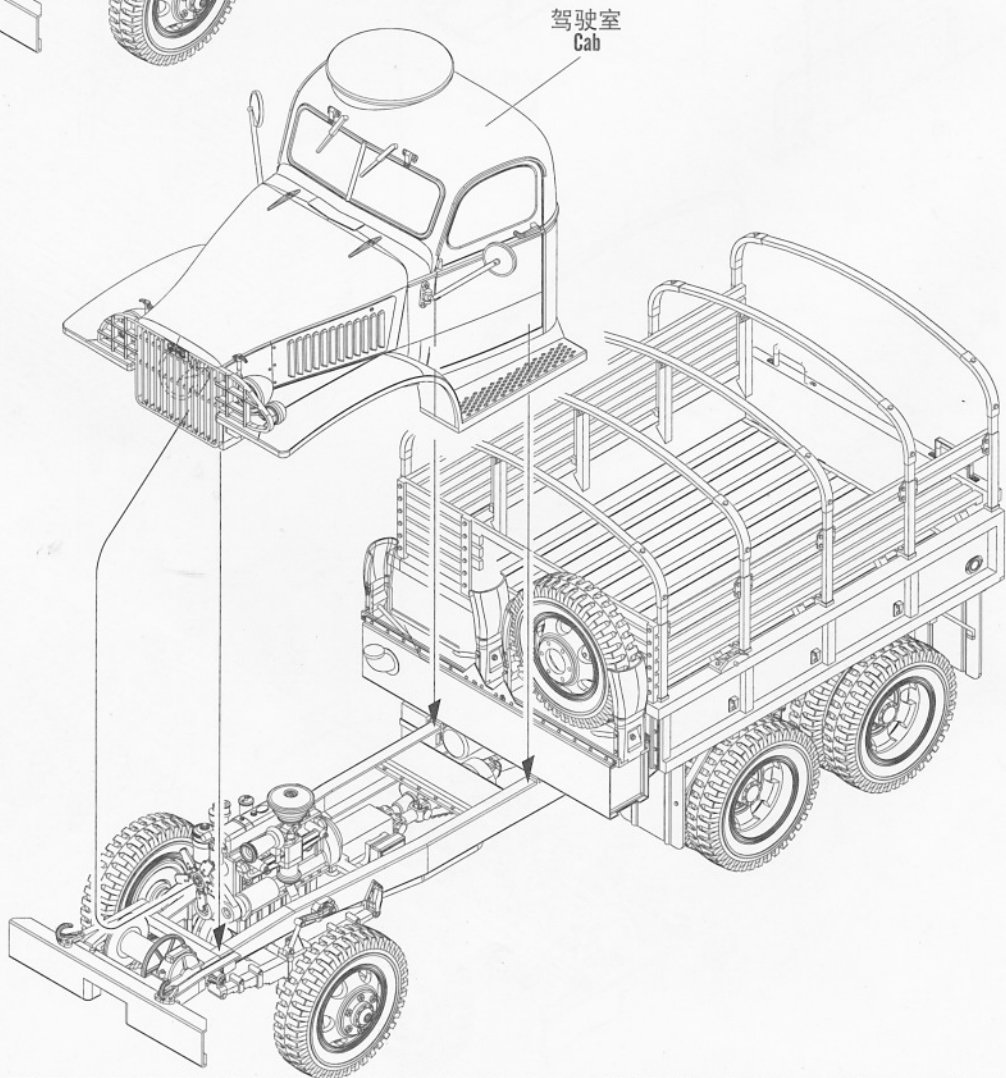
N4



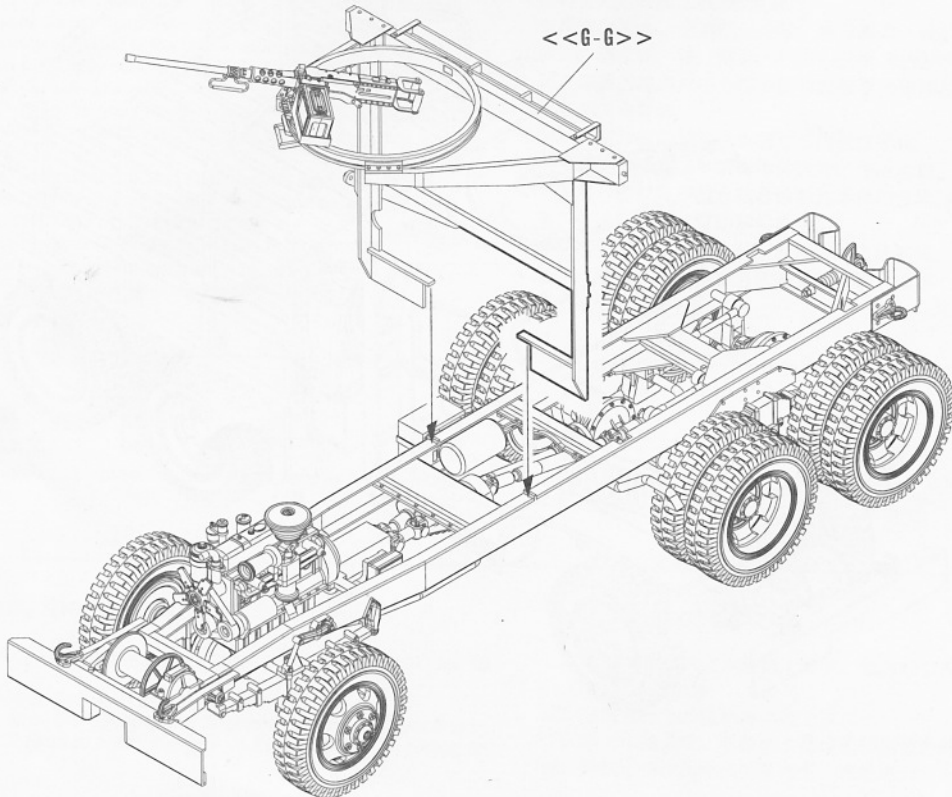
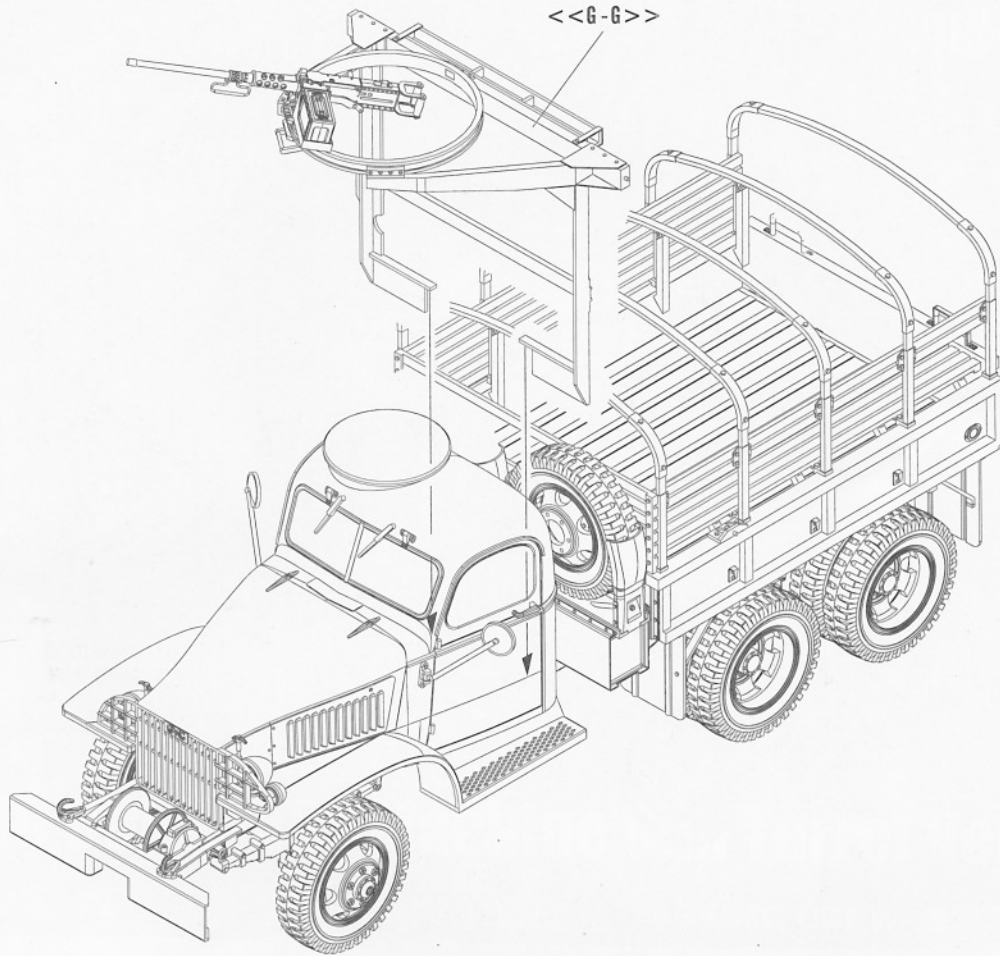
17
STEP

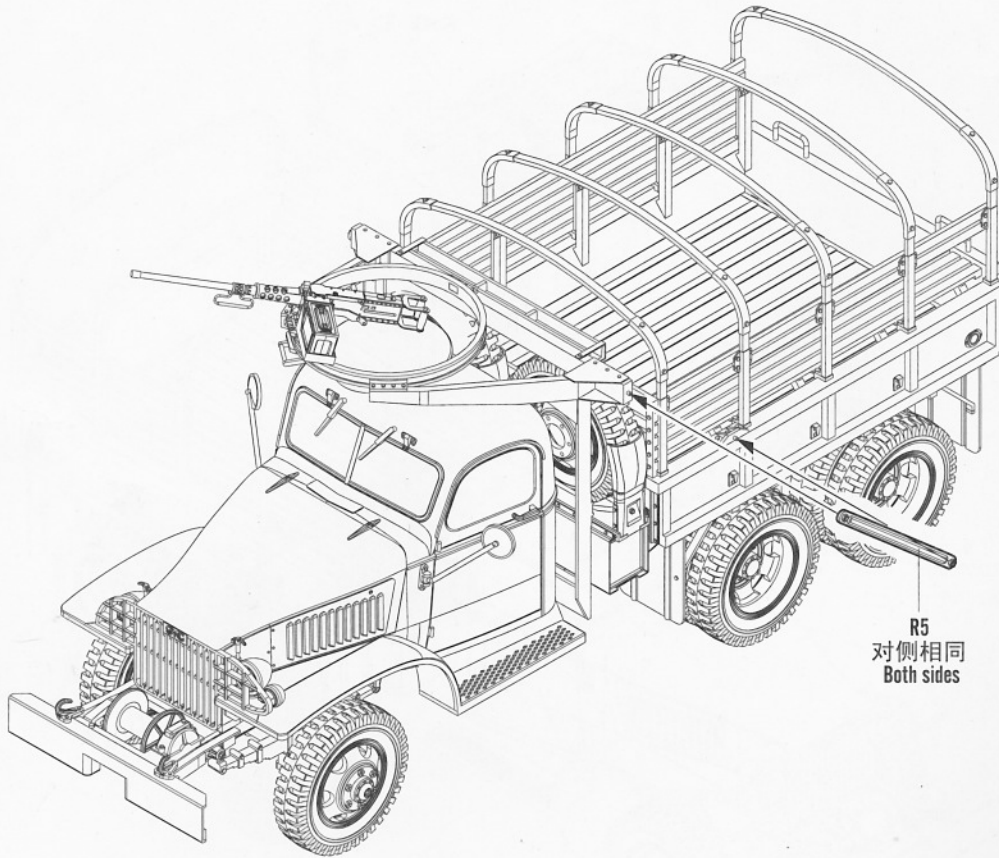


R 1
对侧相同
Both sides

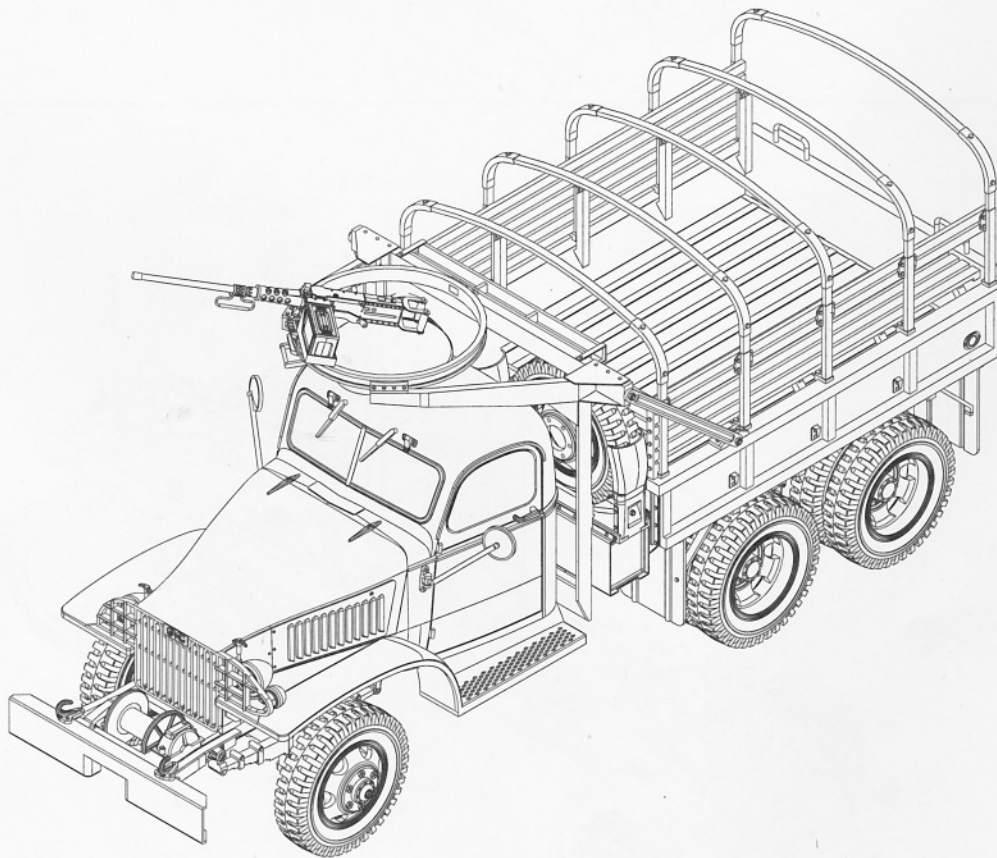


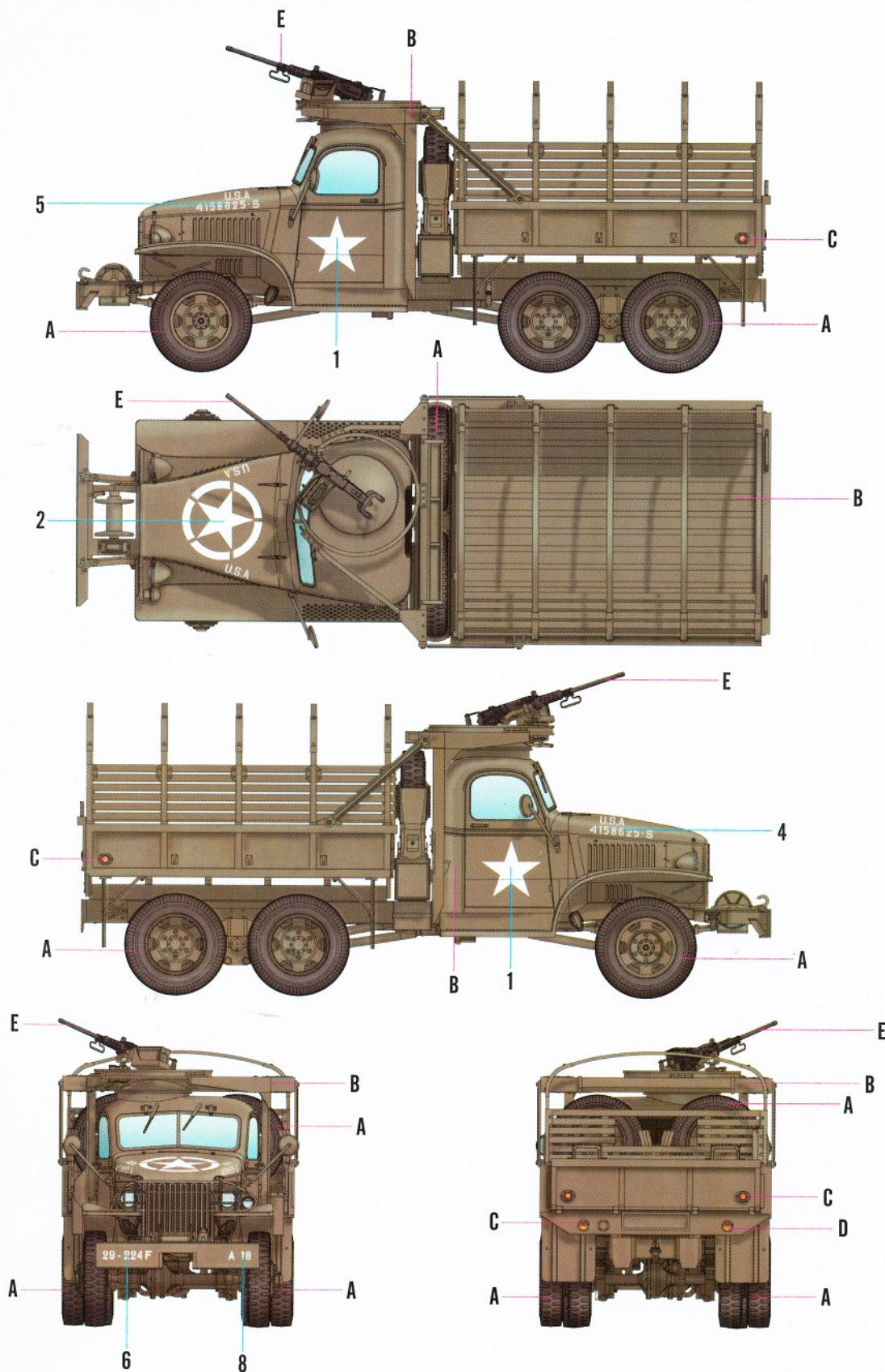
驾驶室
Cab





R5
对侧相同
Both sides





Color	Mr.Hobby	Vallejo	Model Master	Tamiya	Humbrol
A Tire Black 胎黑色	H 77 137	-	-	-	-
B Khaki 卡其色	H 81 55	988	-	XF49	26
C Clear Red 透明红	H 90 47	934	-	X27	-
D Clear Orang 透明橘	H 92 49	935	-	X26	-
E Steel 黑铁色	H 18 28	864	1402	-	-