

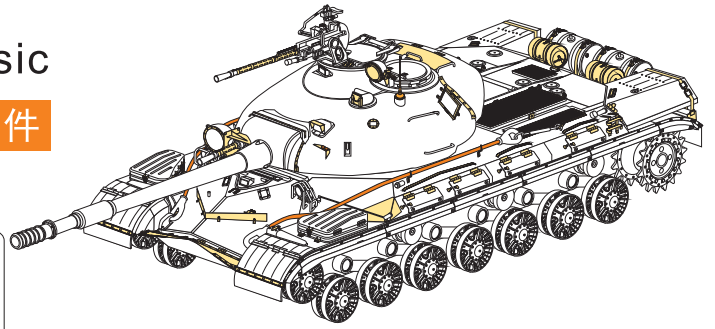
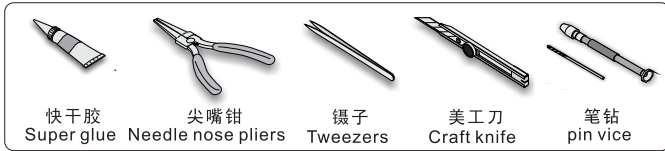
1/35 MILITARY MINIATURE VEHICLE UPGRADE SERIES PE35785

Russian T-10M Heavy Tank Basic

冷战苏联 T-10M 重型坦克基本改造件

[For MENG TS-018]

■ 推荐使用工具 RECOMMENDED TOOLS



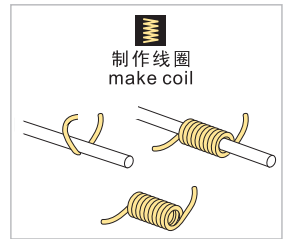
- 安装
install
- 折叠
bend
- A1**

改造件零件编号
PE/resin part number
- B12**

原零件编号
kit part number
- C22**

被替换的原零件编号
replaced kit part number
- 另一侧相同制作
repeat on opposite side
- 钻孔
drill
- 切除
remove
- 打磨
grind off
- 弧度卷曲
radial bending
- x2**

制作若干组
multiple assembly
- 选择安装
alternative
- 用尖端在凹槽处冲压
use penpoint to press on the dent



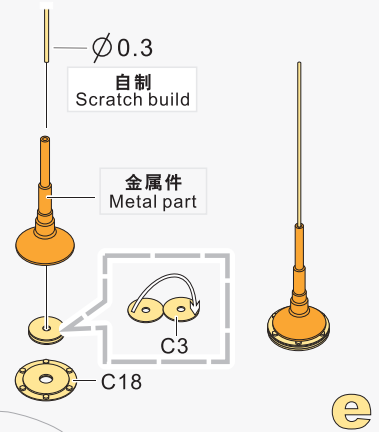
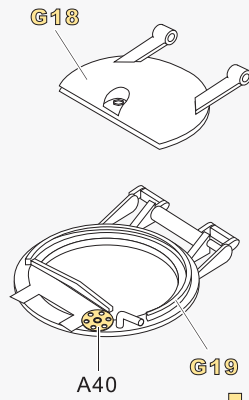
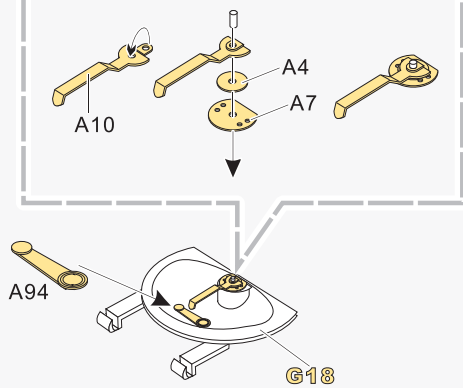
a x3

am

b

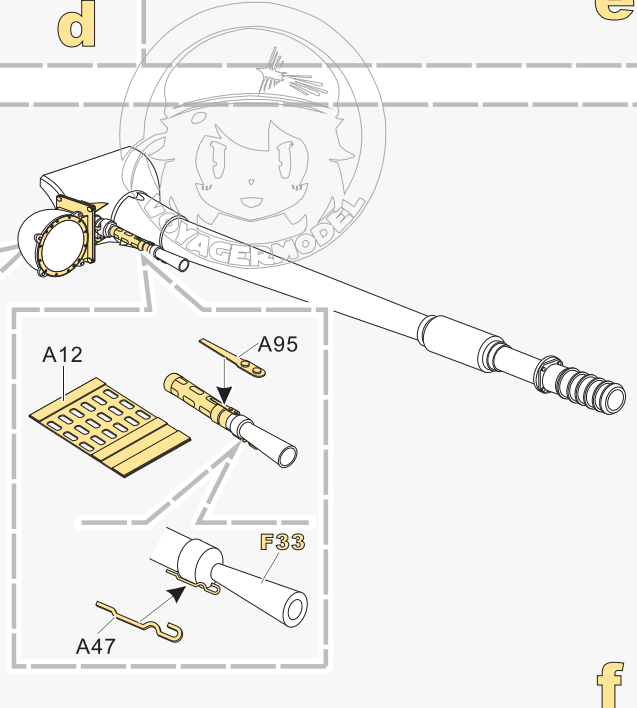
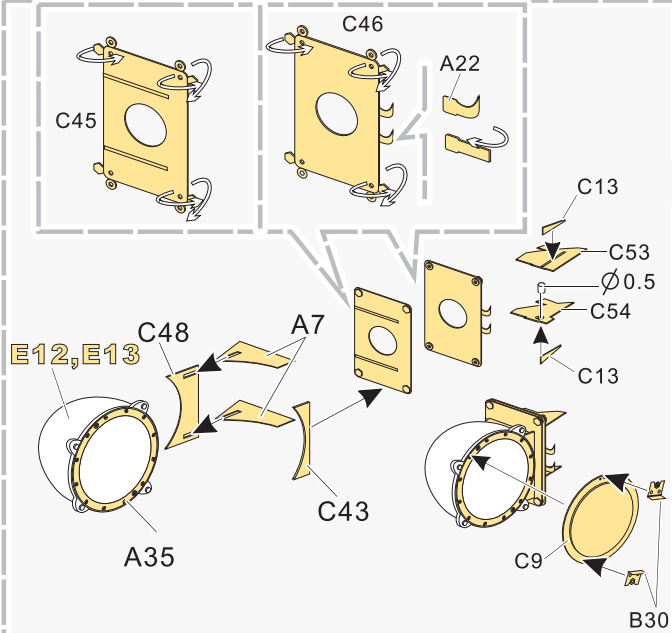
c

1/35 MILITARY MINIATURE VEHICLE UPGRADE SERIES PE35785

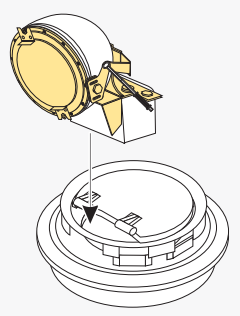
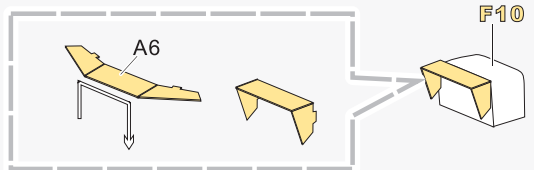
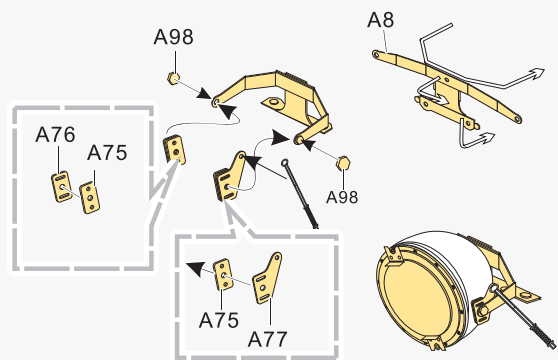
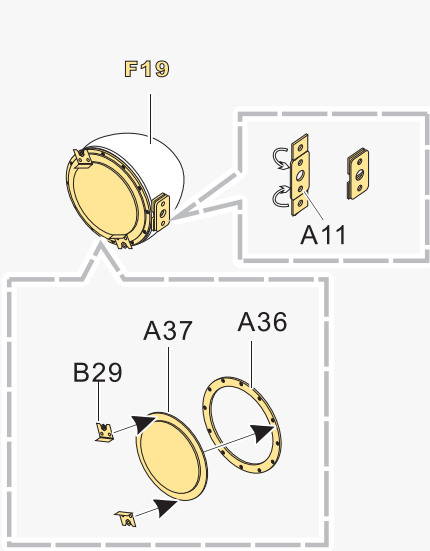


d

e

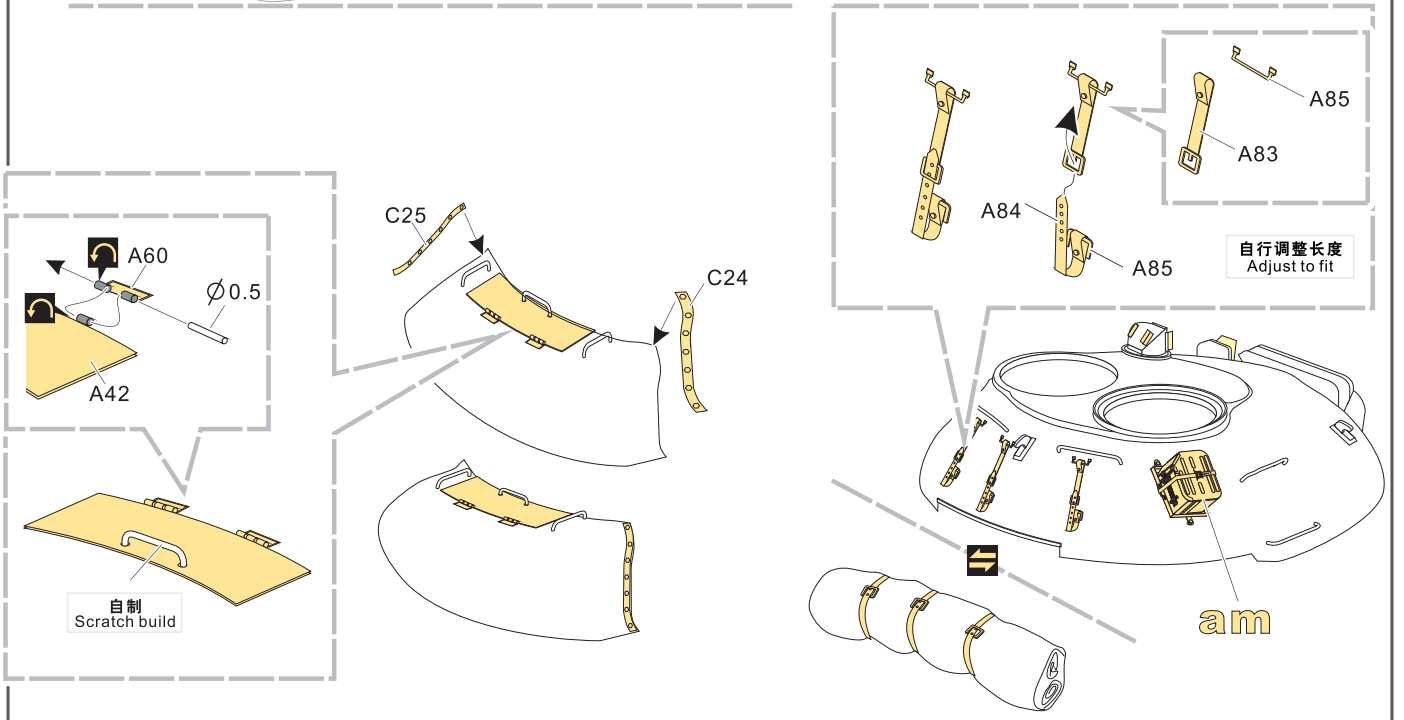
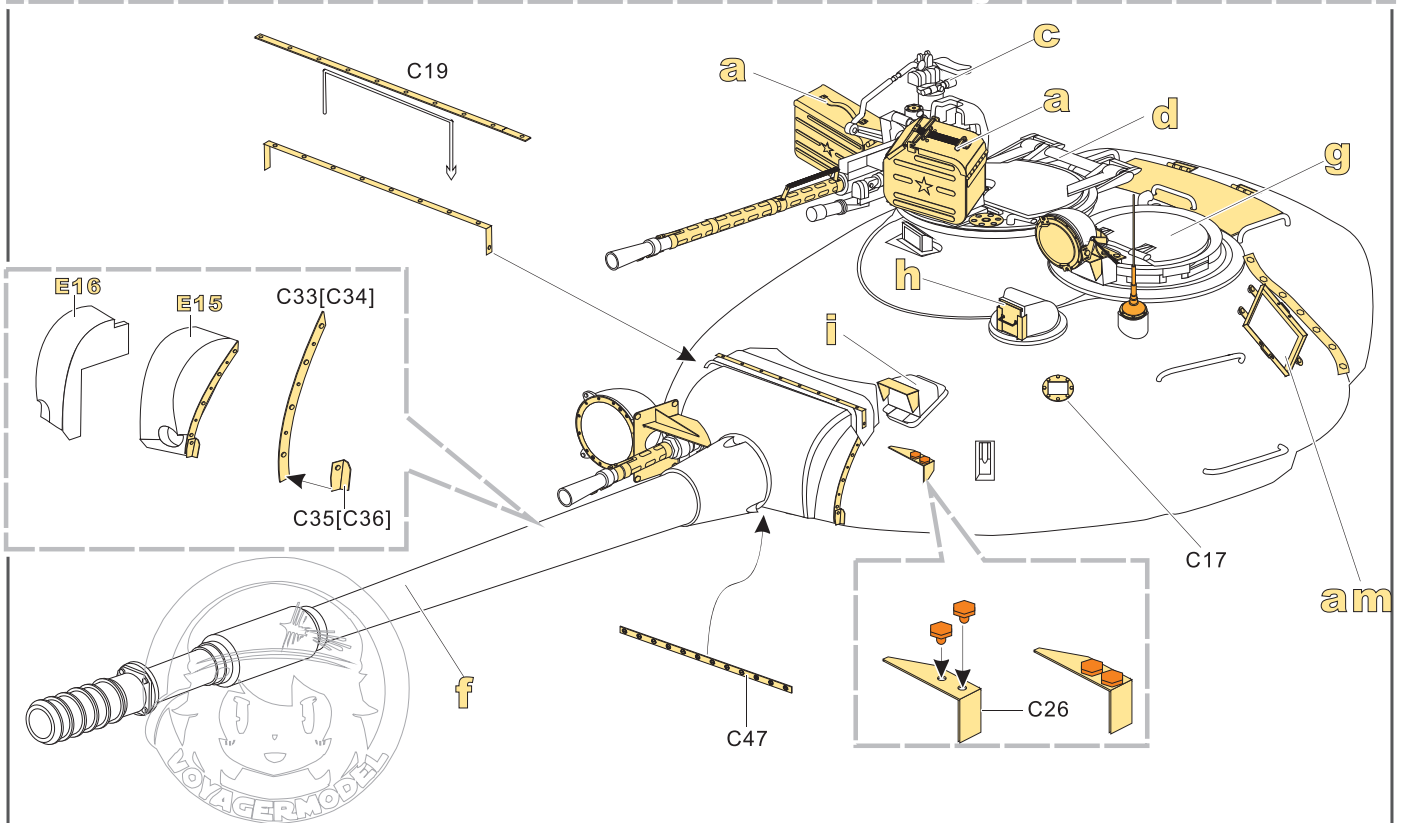
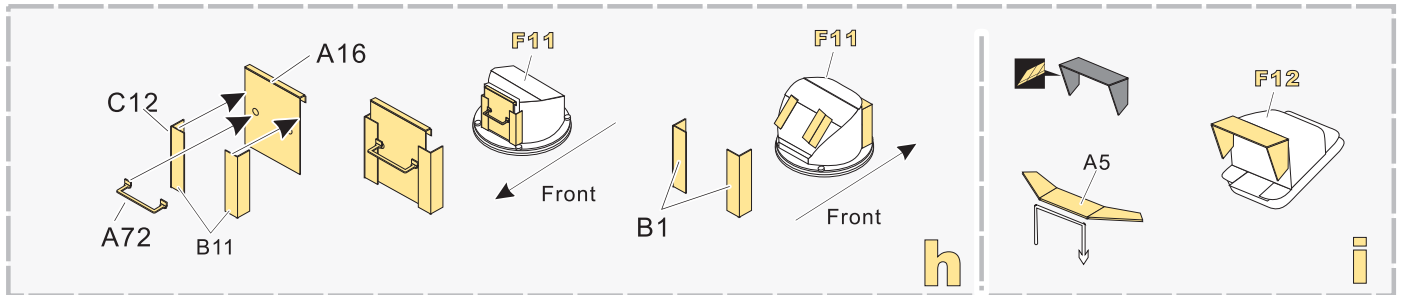


f

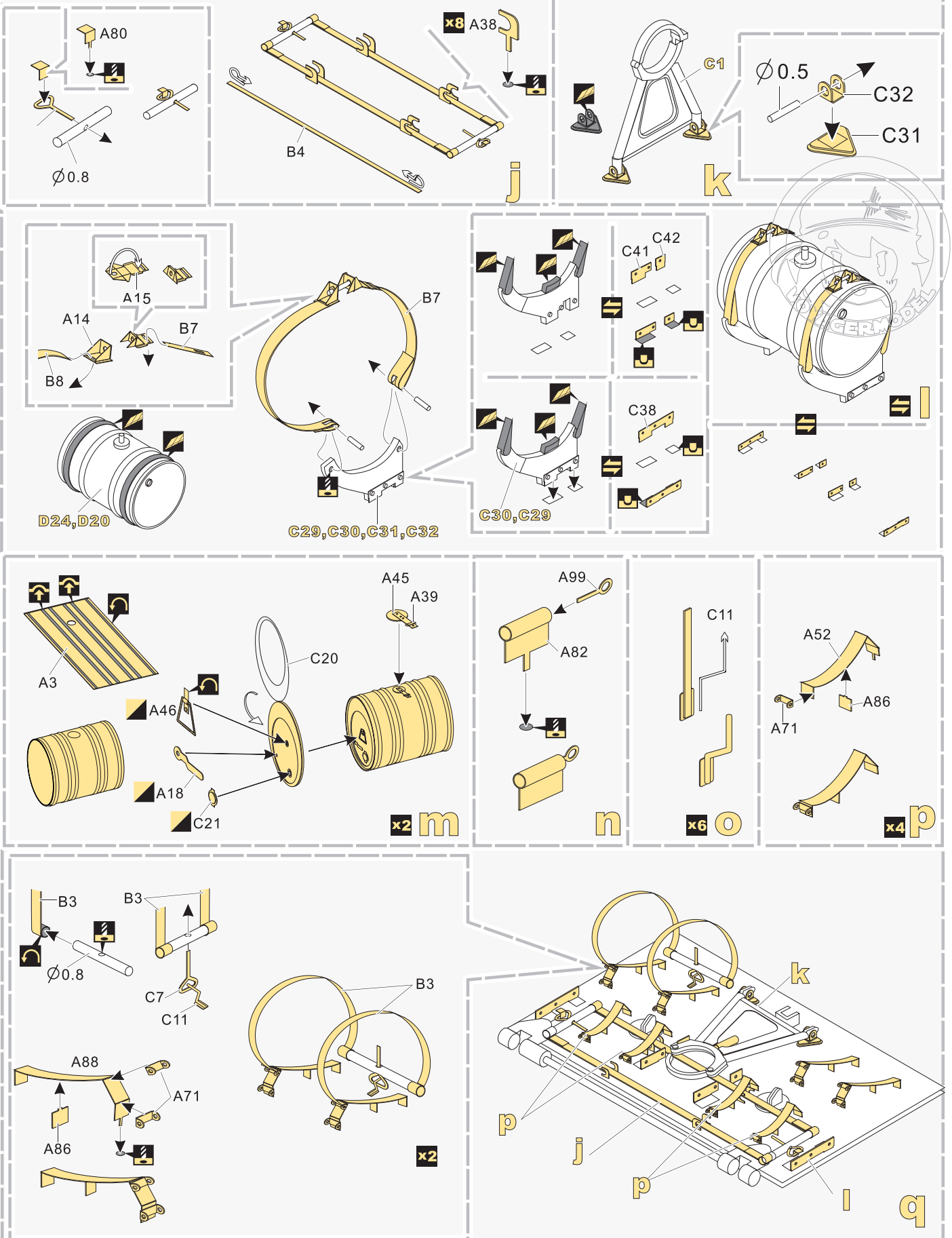


g

1/35 MILITARY MINIATURE VEHICLE UPGRADE SERIES PE35785



1/35 MILITARY MINIATURE VEHICLE UPGRADE SERIES PE35785



1/35 MILITARY MINIATURE VEHICLE UPGRADE SERIES PE35785

金属件
Metal part

A64
C27
x12

K1
A63
x4

C23, C24, C25
C22

S

Hull

A44
C8
A9
x4

D12
A91
A1
D9, D10
A9

A1
D12
A9

A66
A65
A66

A62
A68

A30
A29
A20
A28
C11

A24

t

u

v

B25
B21[B22]
C14
B24

A81
C37
A81
A81

B26
B2
A92
A79
x6

D28, D31, D33
D29, D30, D32
A2

W

X

1/35 MILITARY MINIATURE VEHICLE UPGRADE SERIES PE35785

制具 Jig

C29 x2

C28 x4

A86

A87

Ø0.3

B23

D15

A55

aa

C1

C2 x4

ab

B16

A93

A56

B20

C43

ac

B16

A93

A56

B20

C43

ad

C12 x2

C4

ae

af

C15 x2

B6

B5

ag

ah

ae

ab

ag

an

ac

z

y

C29

ad

x

w

t

A13[A14]

铜缆 Copper cable

B5

C6

C44

C52

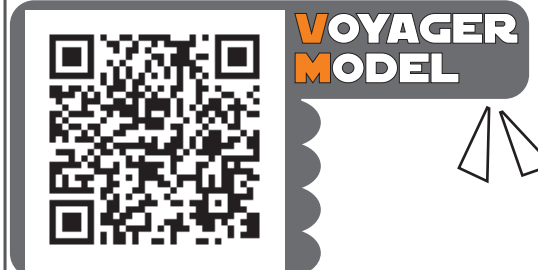
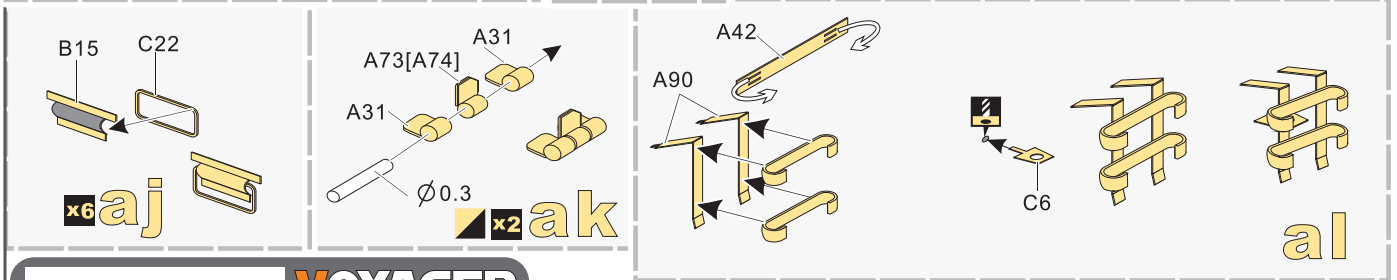
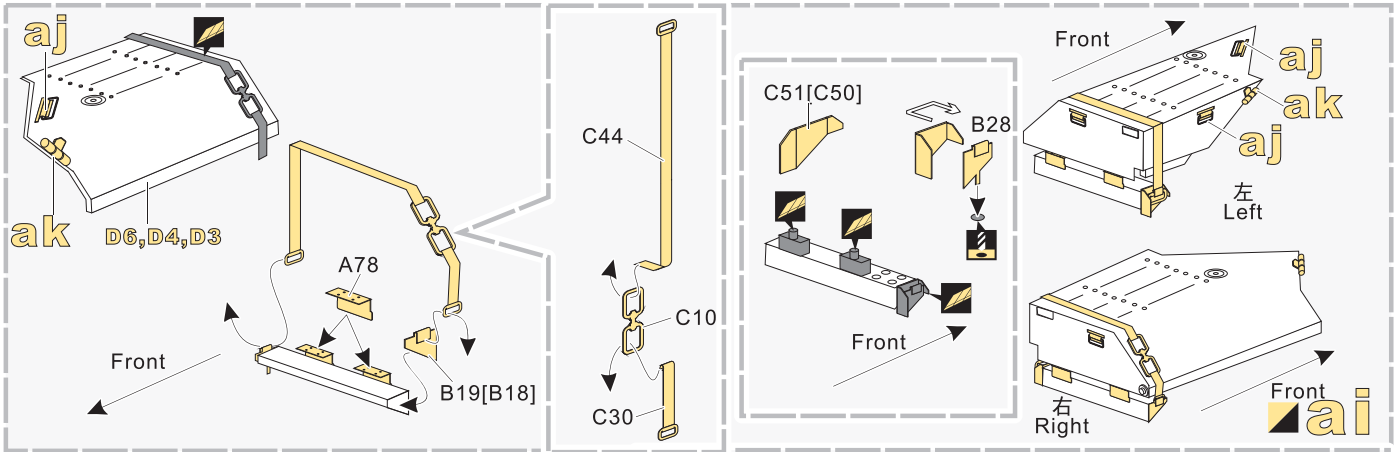
B5

A45

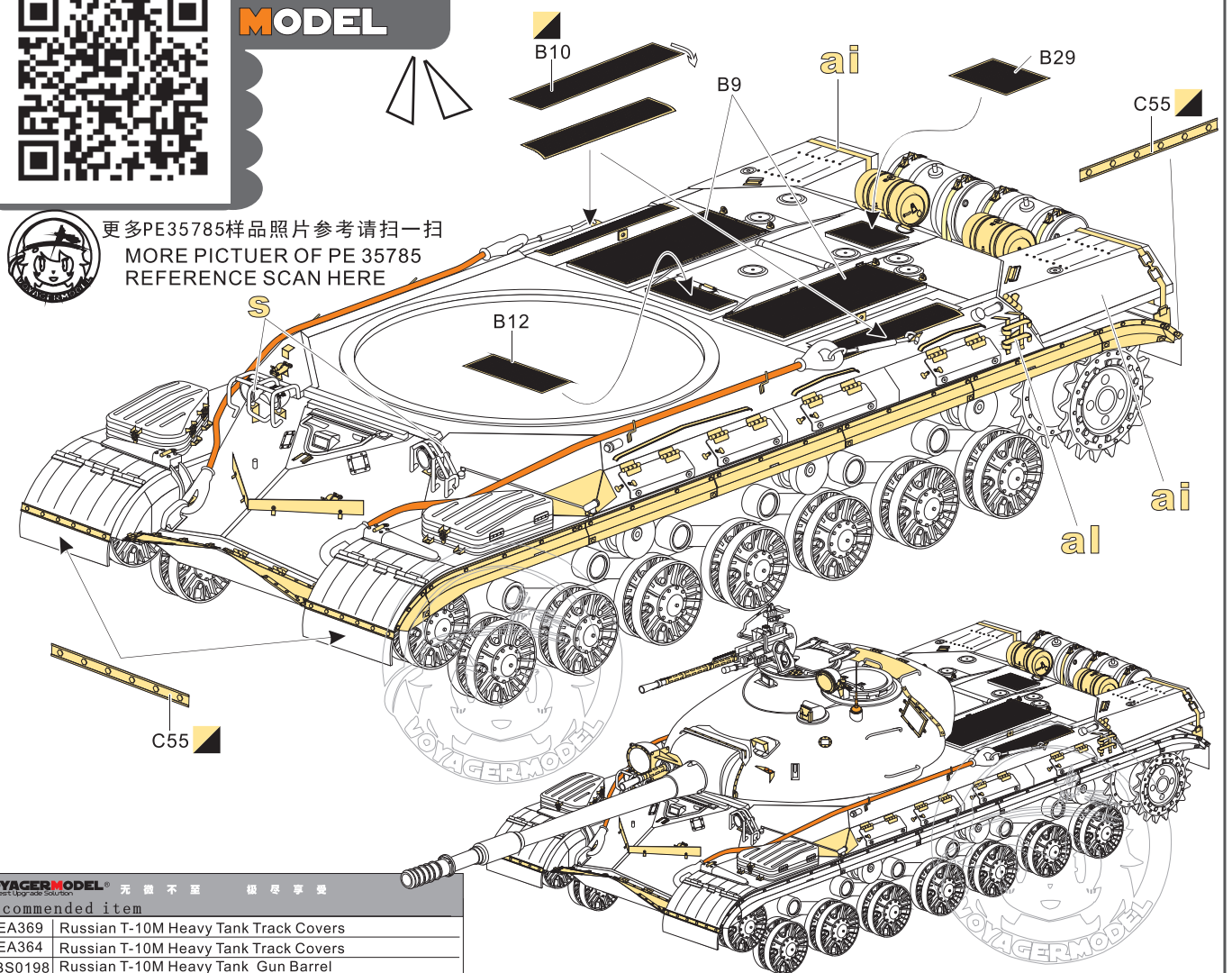
C8

an

1/35 MILITARY MINIATURE VEHICLE UPGRADE SERIES PE35785



更多PE35785样品照片参考请扫一扫
MORE PICTUER OF PE 35785
REFERENCE SCAN HERE



VOYAGERMODEL® 无缝不歪 极致享受
The Best Upgrade Solution

Recommended item

PEA369	Russian T-10M Heavy Tank Track Covers
PEA364	Russian T-10M Heavy Tank Track Covers
VBS0198	Russian T-10M Heavy Tank Gun Barrel