

M983 Tractor with AN/TPY-2 X Band Radar

M983拖车 & AN/TPY-2 X波段雷达

READ BEFORE ASSEMBLY:

- Study and understand these instructions thoroughly before beginning assembly
- When needed, remove photo-etch parts carefully using a modeling knife or photo etch sprue cutter, being careful not to damage or lose small parts.
- Take extra care in handling photo etch parts in order to avoid injury
- Apply instant cement sparingly to photo etch parts where instructed
- Tools recommended(not included in kit):Plastic and instant cements, sprue cutters,long nose pliers,modeling knife, small files, tweezers, pin vise & scissors. Soft cloth and sandpaper will also assist in construction
- Glue and paint are not included in the kit. Use plastic cement and hobby paints only. Color guide for purchasing paint is included in the kit.

装配之前仔细阅读

- 小心用模型锉刀锉平所有零件表面的注射浇口。
- 小心用刀片切下蚀刻片零件，不要遗失小零件。
- 用强力快干胶水粘合蚀刻片零件和金属轴。过量快干胶水使用可能导致可动零件会粘住，小心涂胶。
- 取蚀刻片时应特别注意安全，防止利边划伤手指。
- 某些零件表面需贴水上贴纸，请选择在装配的同时进行。
- 推荐模型工具(自备)：胶水，水口剪刀，长咀钳，刀片，锉刀，镊子，钳，钻，剪刀，瞬间快干胶。
- 软布同砂纸同时也应该是必备工具。
- 请使用塑料胶水和油漆，模型内不含。



配重
Weight



使用强力胶
Cyanoacrylate glue



钻孔
Make hole



切除
Cut / Remove



贴纸
Decal



锉平
File / Sand



选择
Option



不涂胶水
No cement



弯曲
Bend



先装
Install it first

水贴纸的使用:

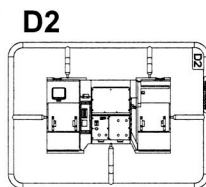
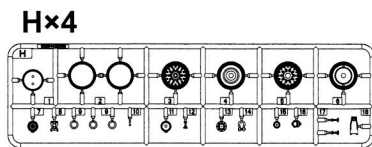
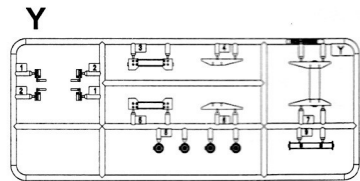
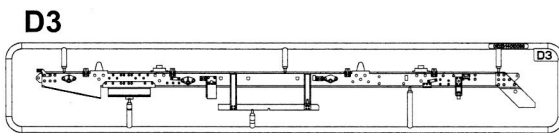
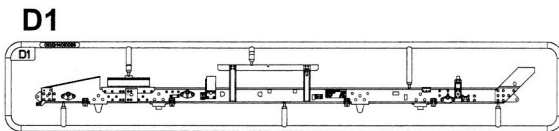
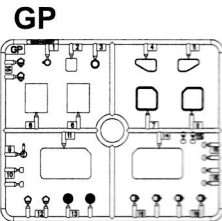
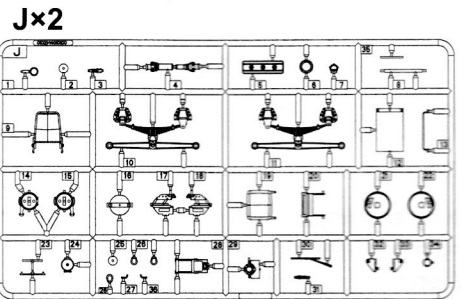
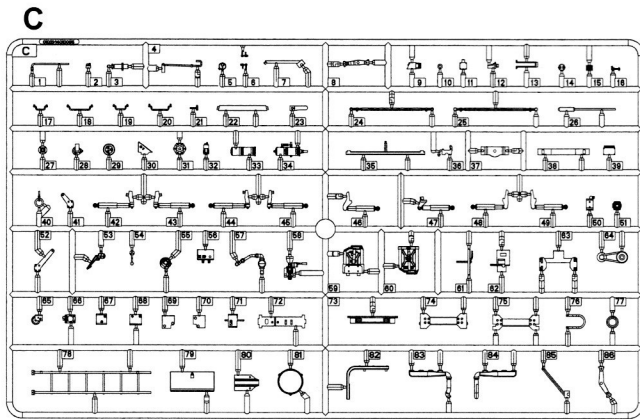
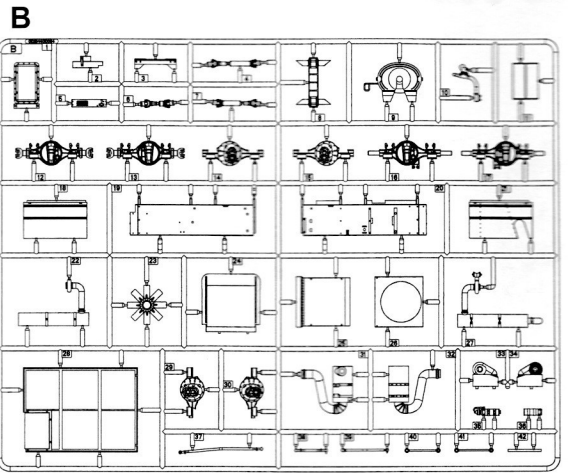
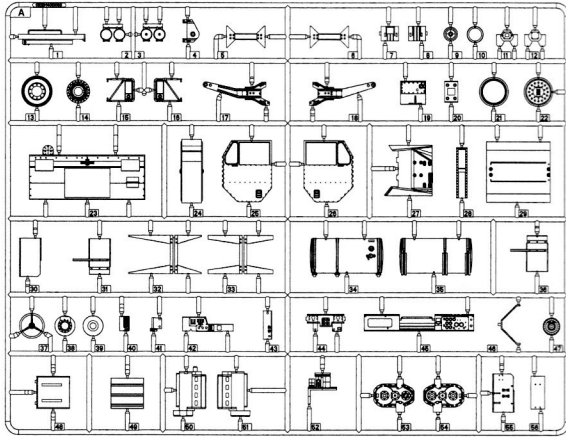
- 1.从水贴上剪下印花;
- 2.将印花放入温水中浸10秒, 然后放在干净布上。
- 3.拿着印花纸板将印花移到模型上;
- 4.手指蘸水将印花移到适当的位置;
- 5.用软布轻压印花直至水干, 气泡消失

DECAL APPLICATION

- 1.Cut decals from sheet as needed
- 2.Dip the decal in warm water for about 10 seconds and then place on soft clean cloth.
- 3.Hold the decal backing sheet edge and gently slide the decal onto the model in its proper position.

- 4.While still wet,decal can be adjusted for better fit on model by dampening it gently with your finger.
- 5.When placed in the proper position,gently press decal down with a soft cloth until excess water and air bubbles are gone.
- 6.Allow decal to dry completely before handling model

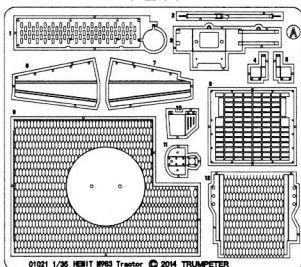
部品图
Parts A



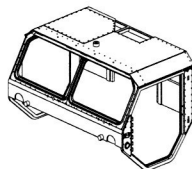
《轮胎 I》×9
Tyre I



《蚀刻片-A》
PE-A

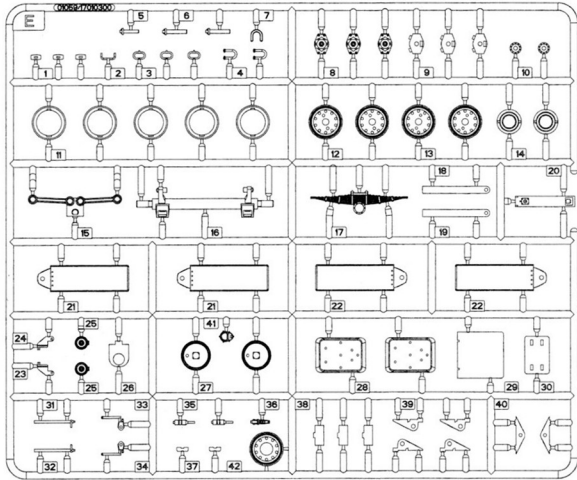


D4

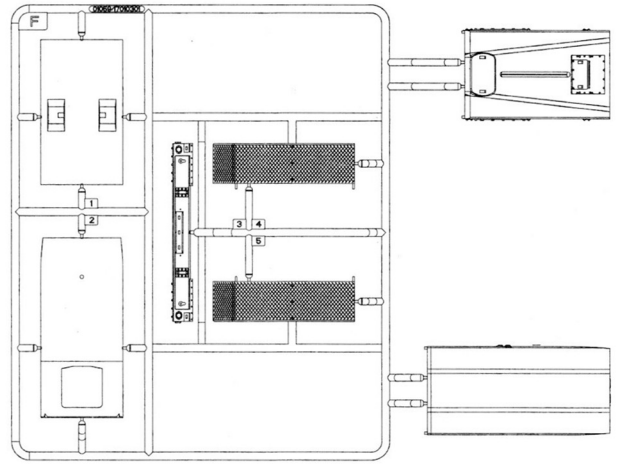


部品图 Parts

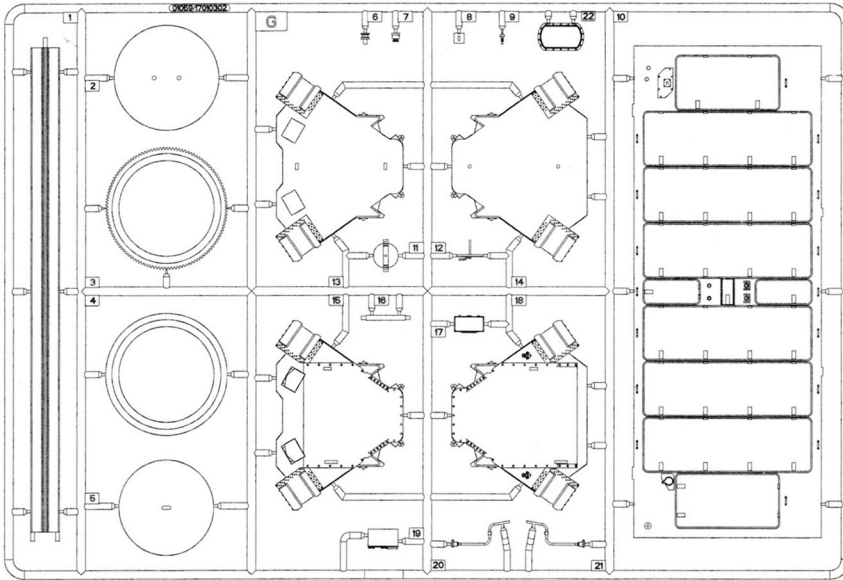
Ex2



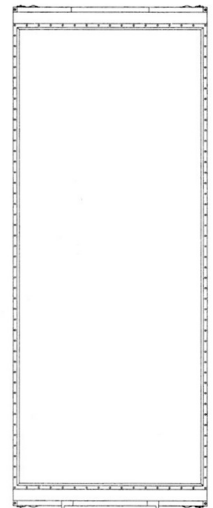
F



G



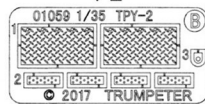
K



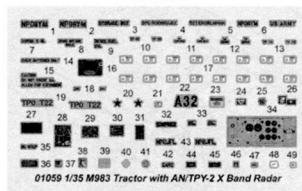
《轮胎 II》x9
Tyre



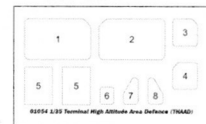
《蚀刻片-B》
PE



《水贴》
Decal

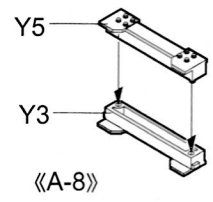
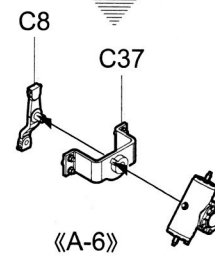
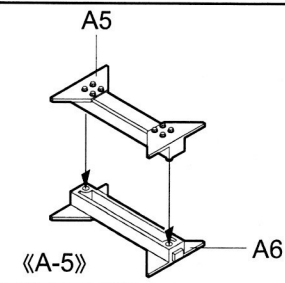
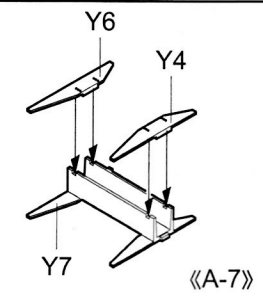
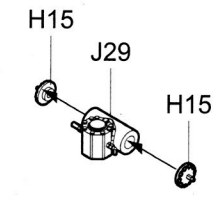
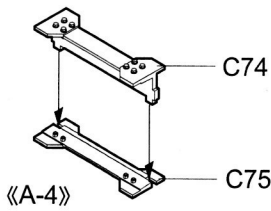
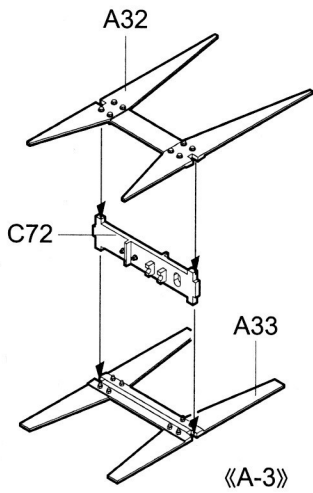
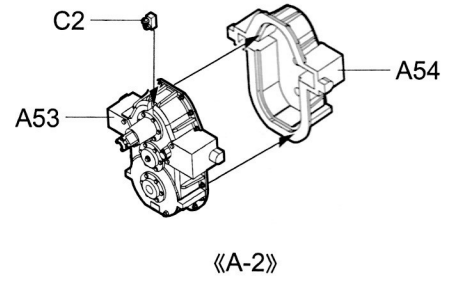
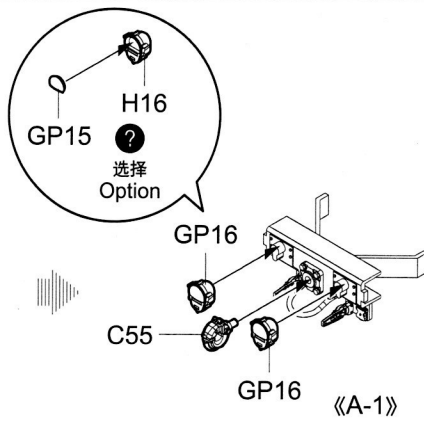
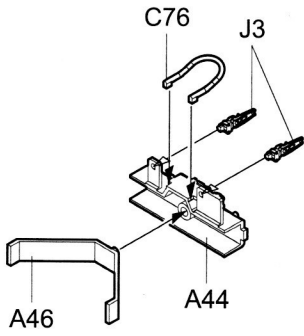


《遮盖纸》
Die-cut mask

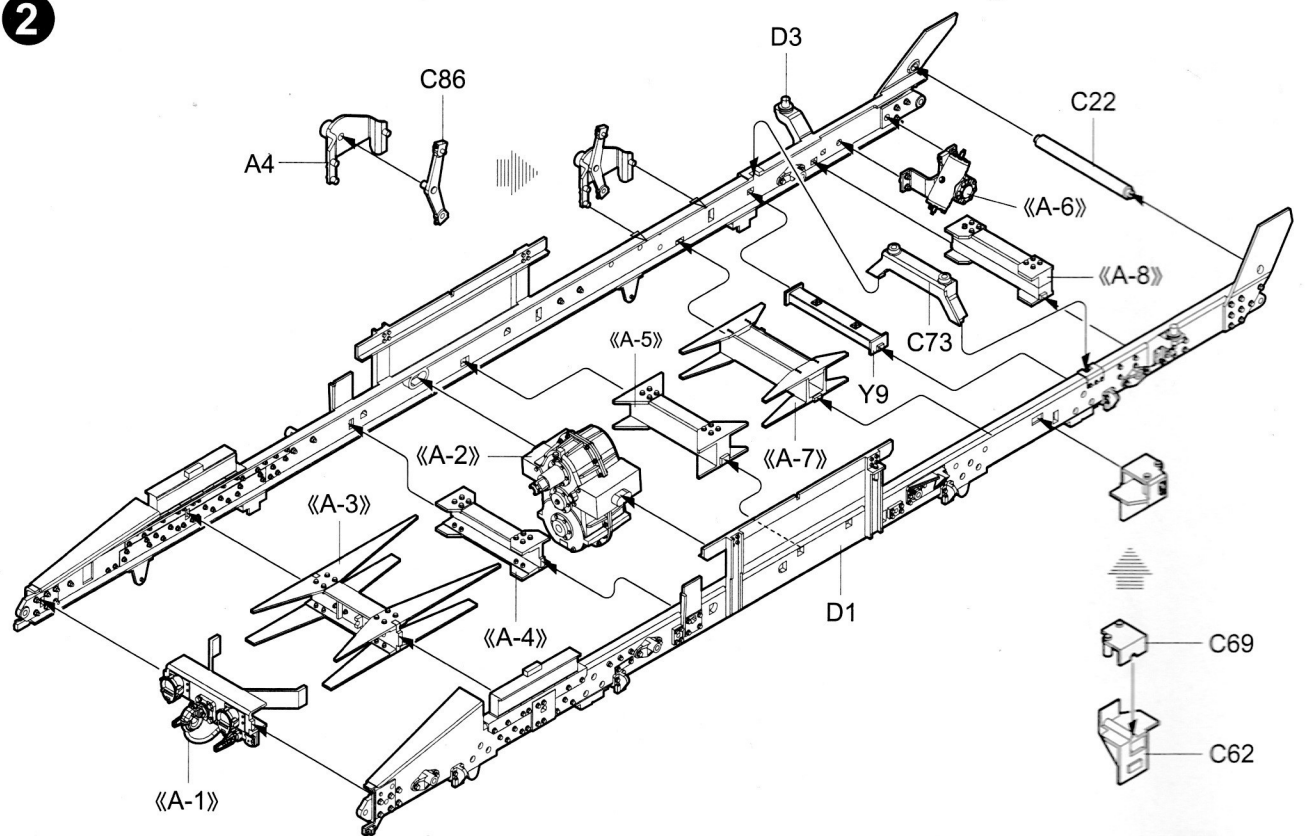


不用部件:
Unused parts:

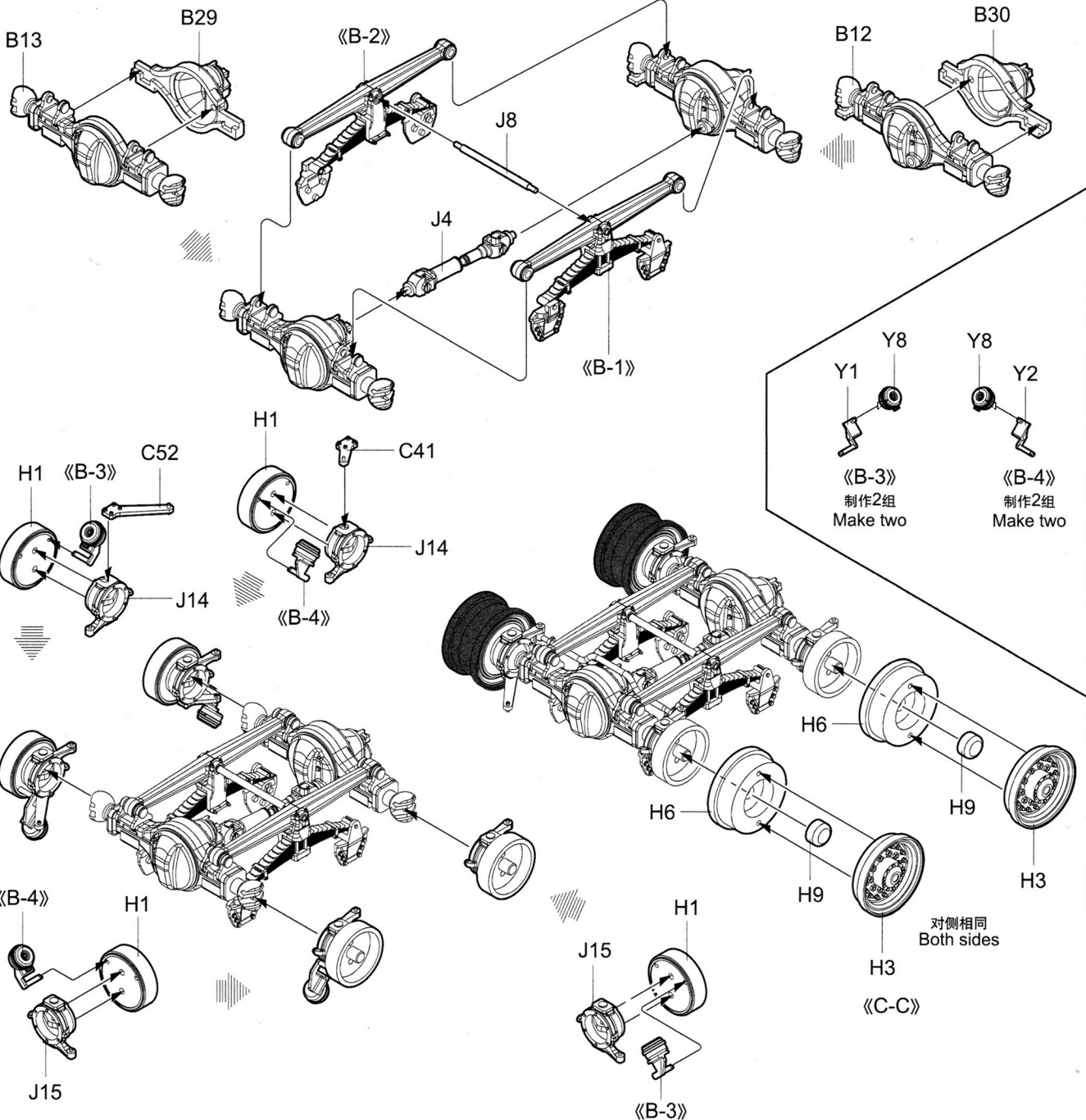
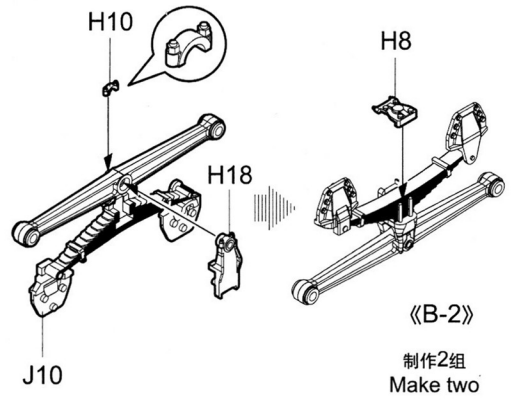
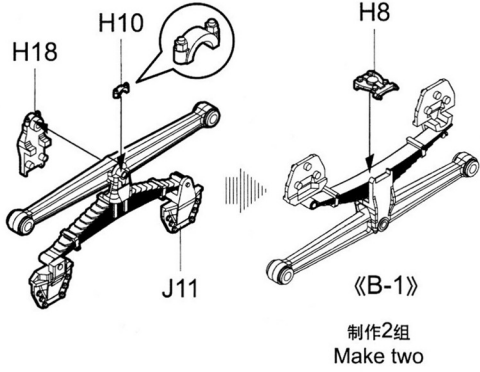
1



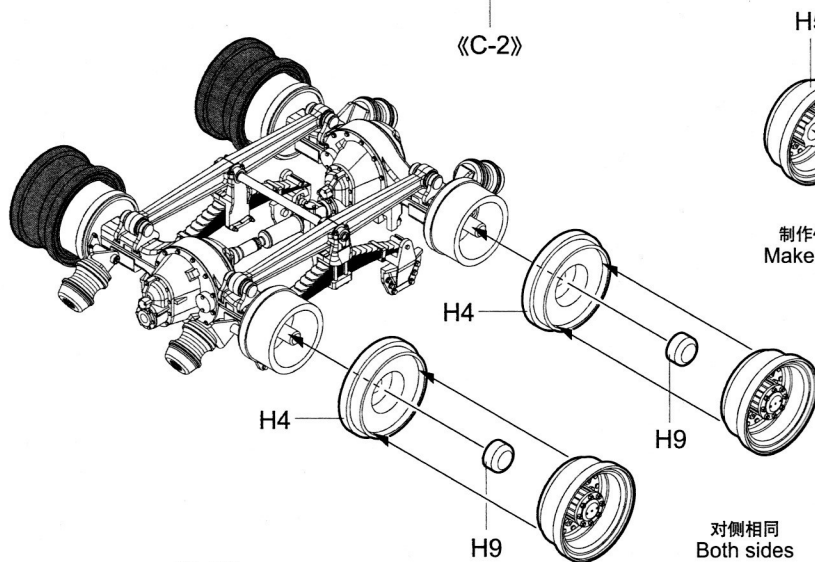
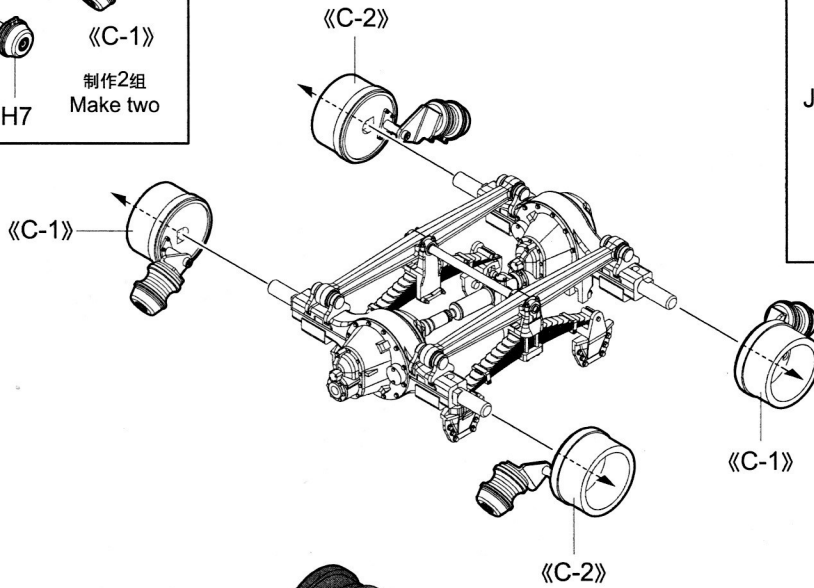
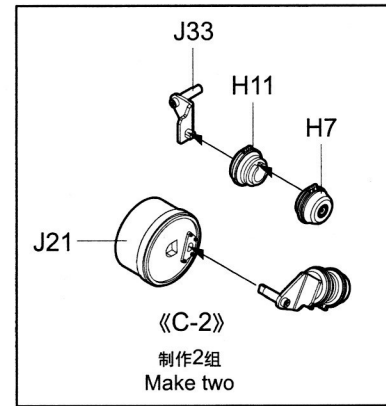
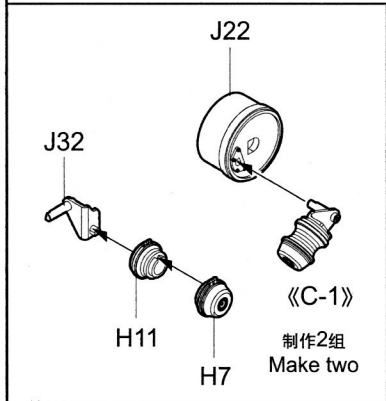
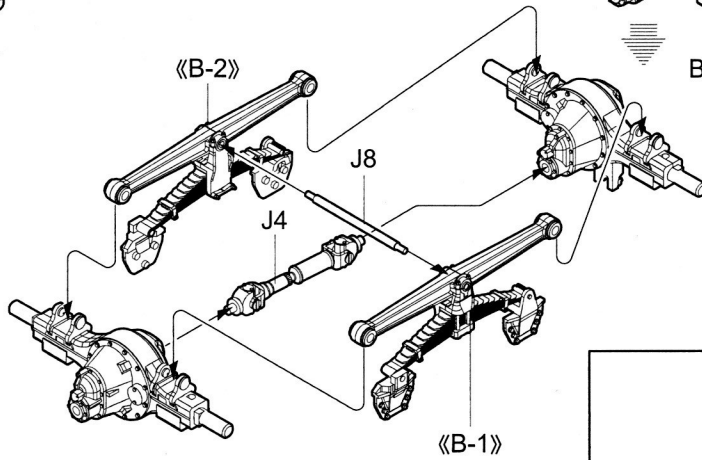
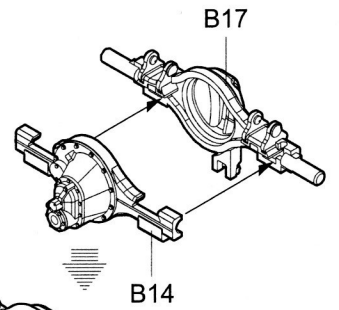
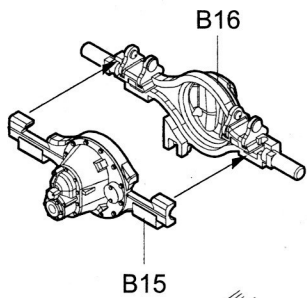
2



3



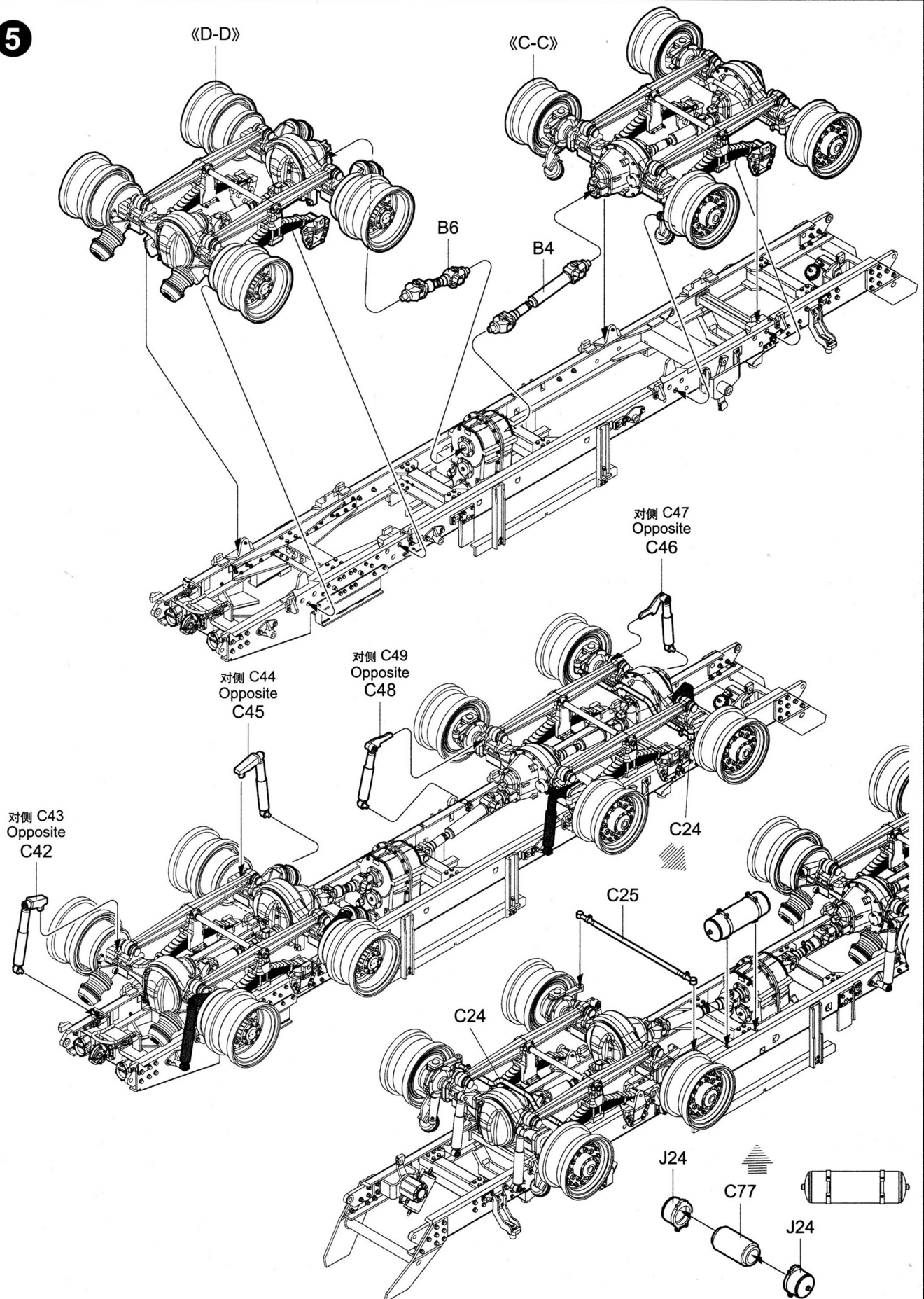
4



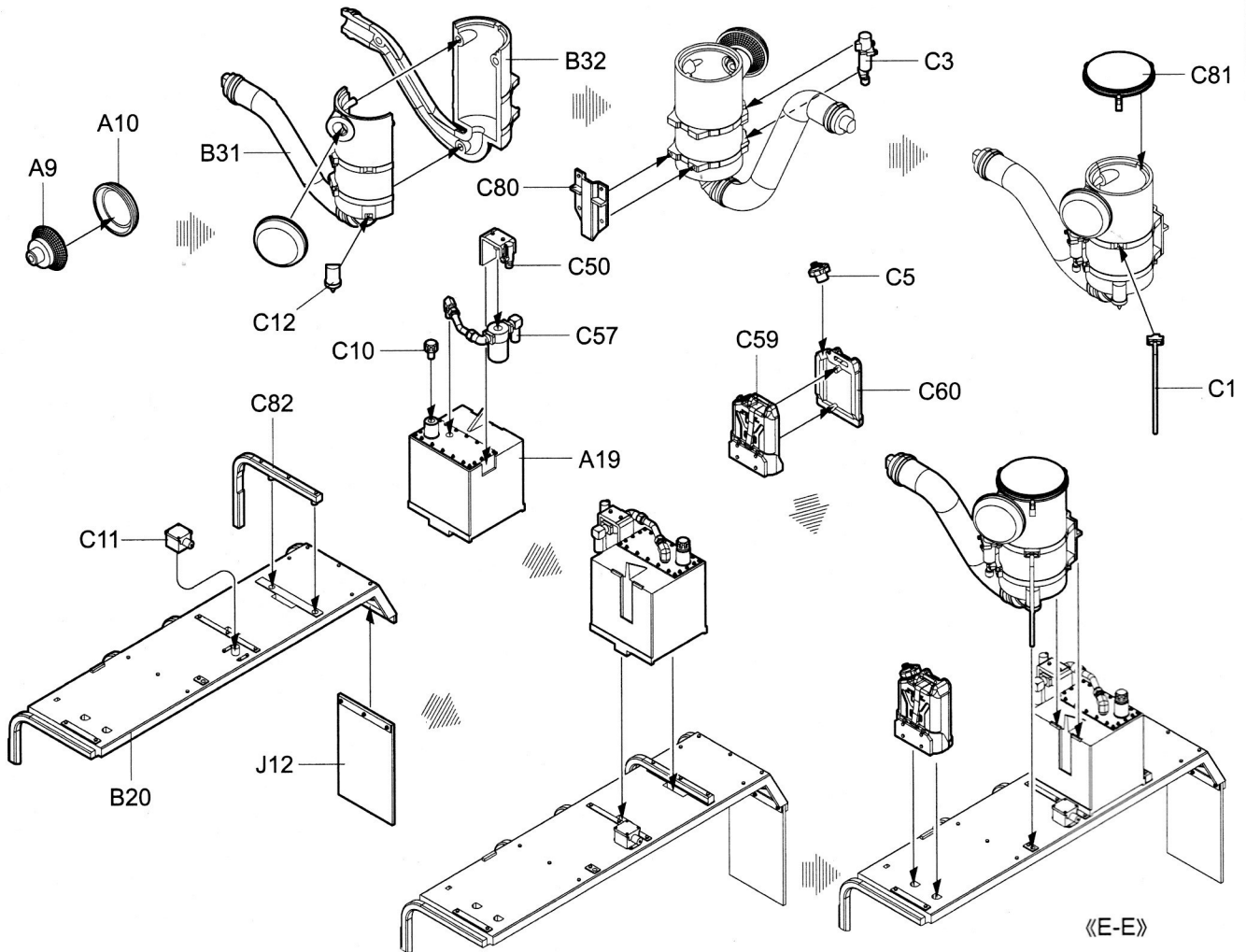
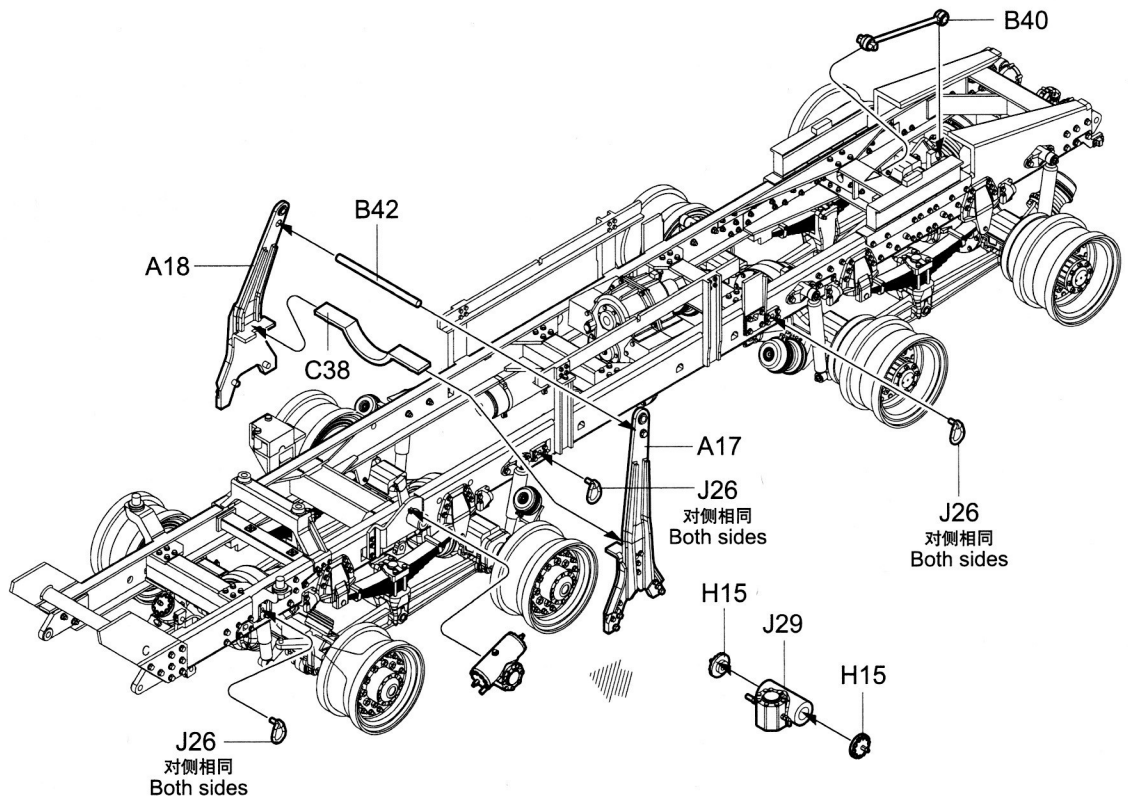
«D-D»

对侧相同
Both sides

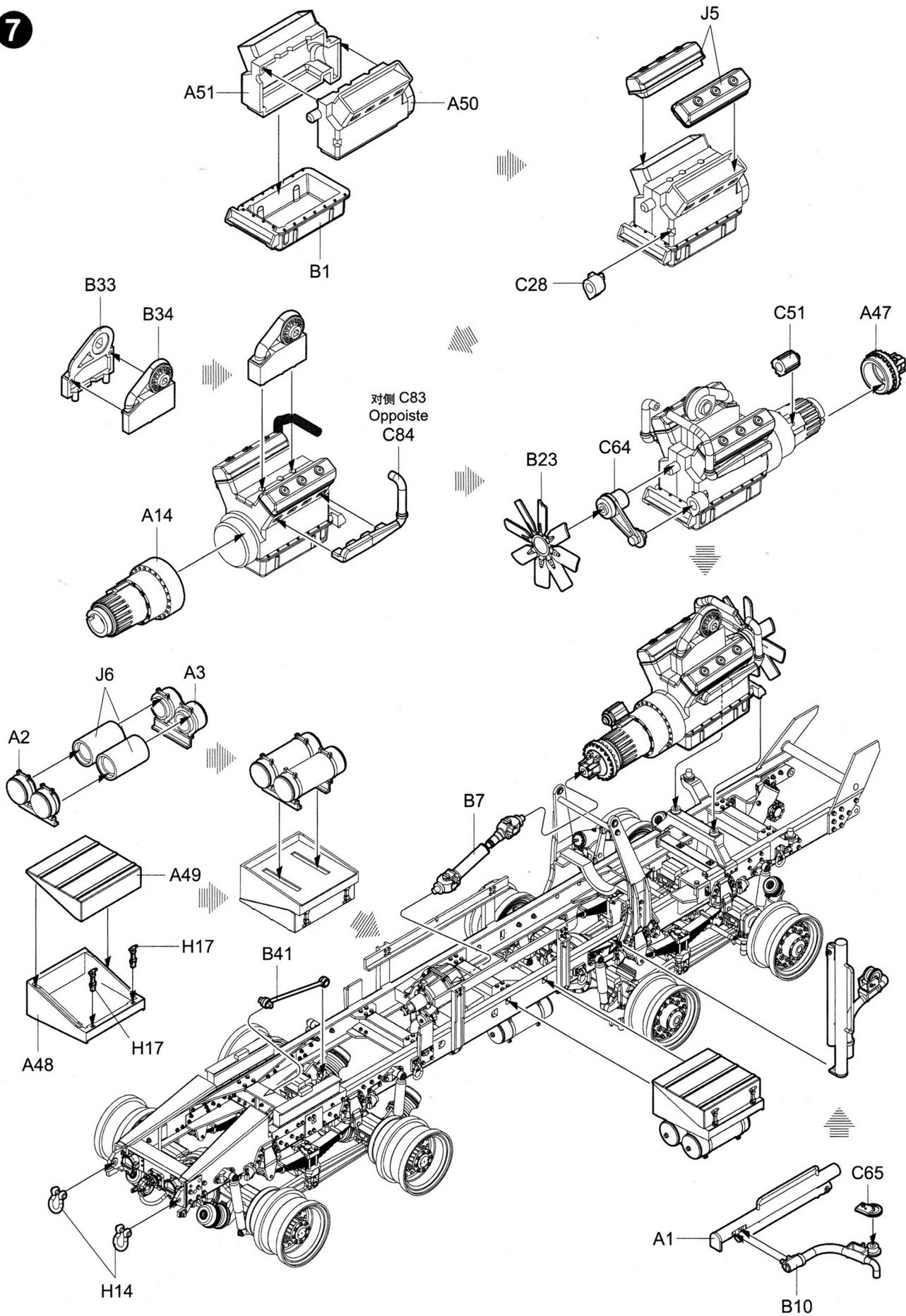
5



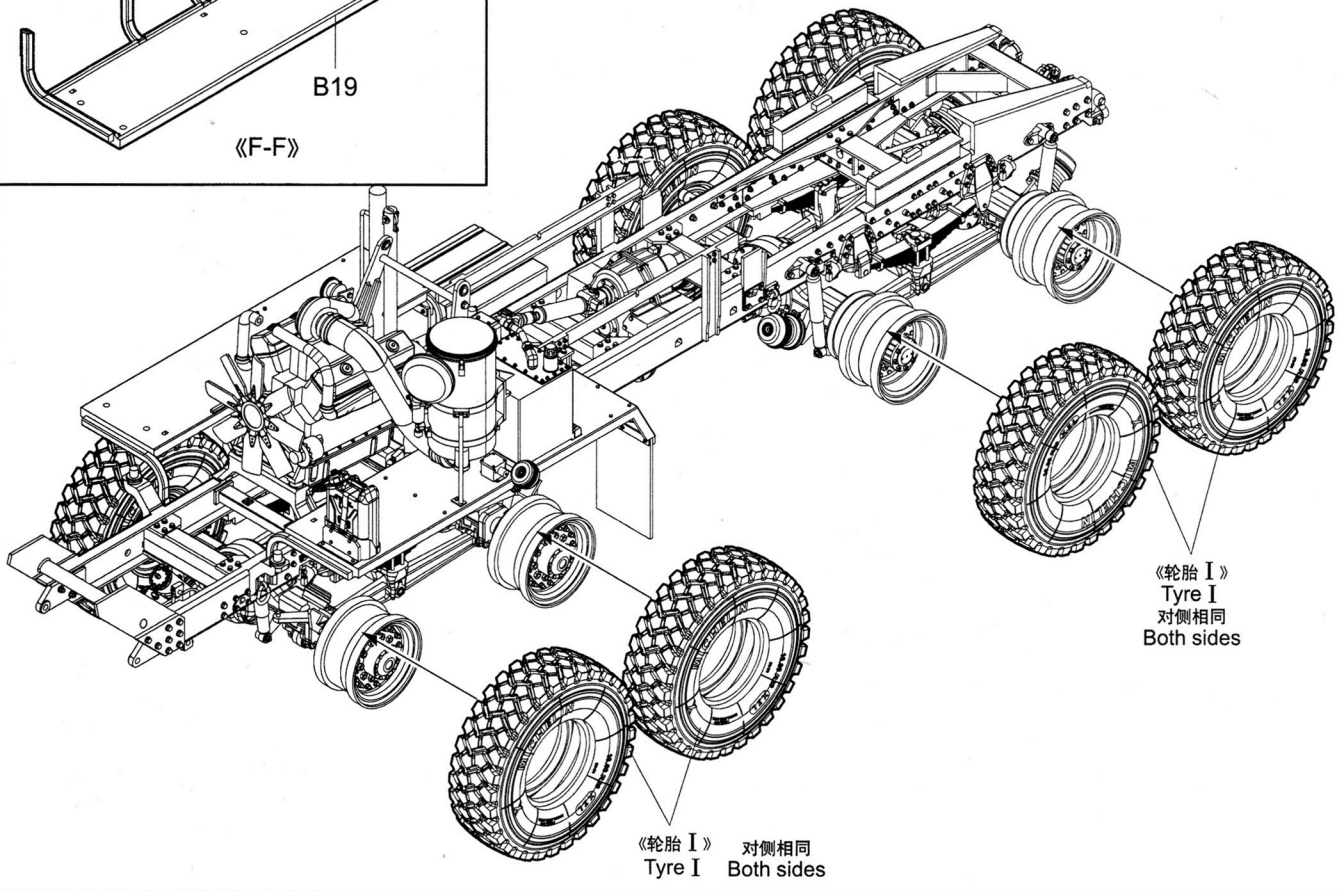
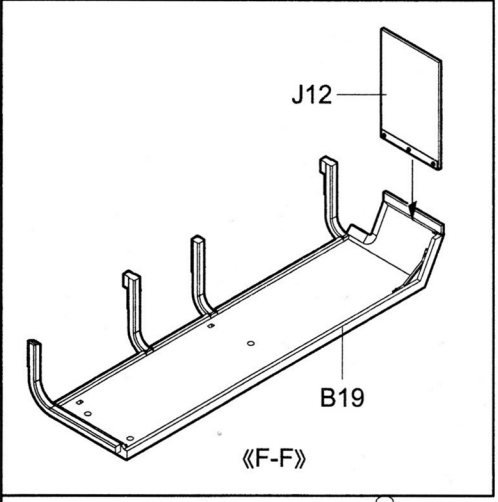
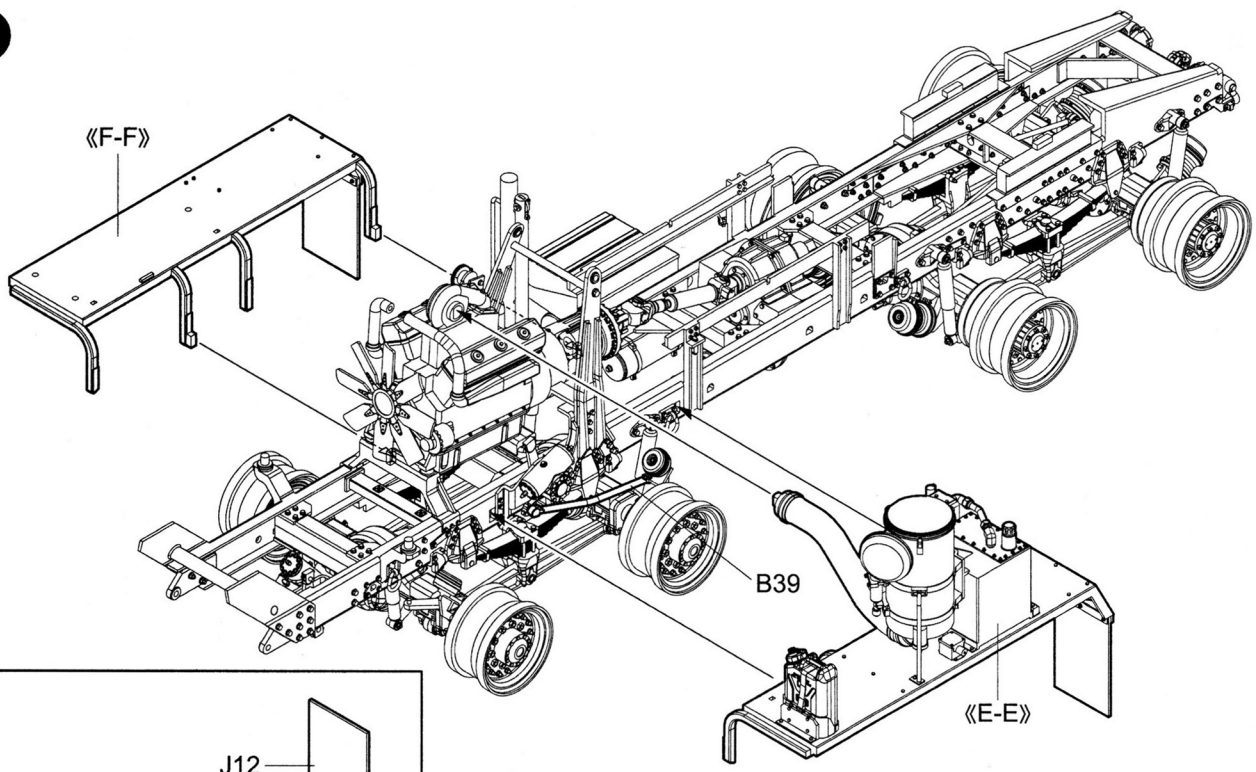
6



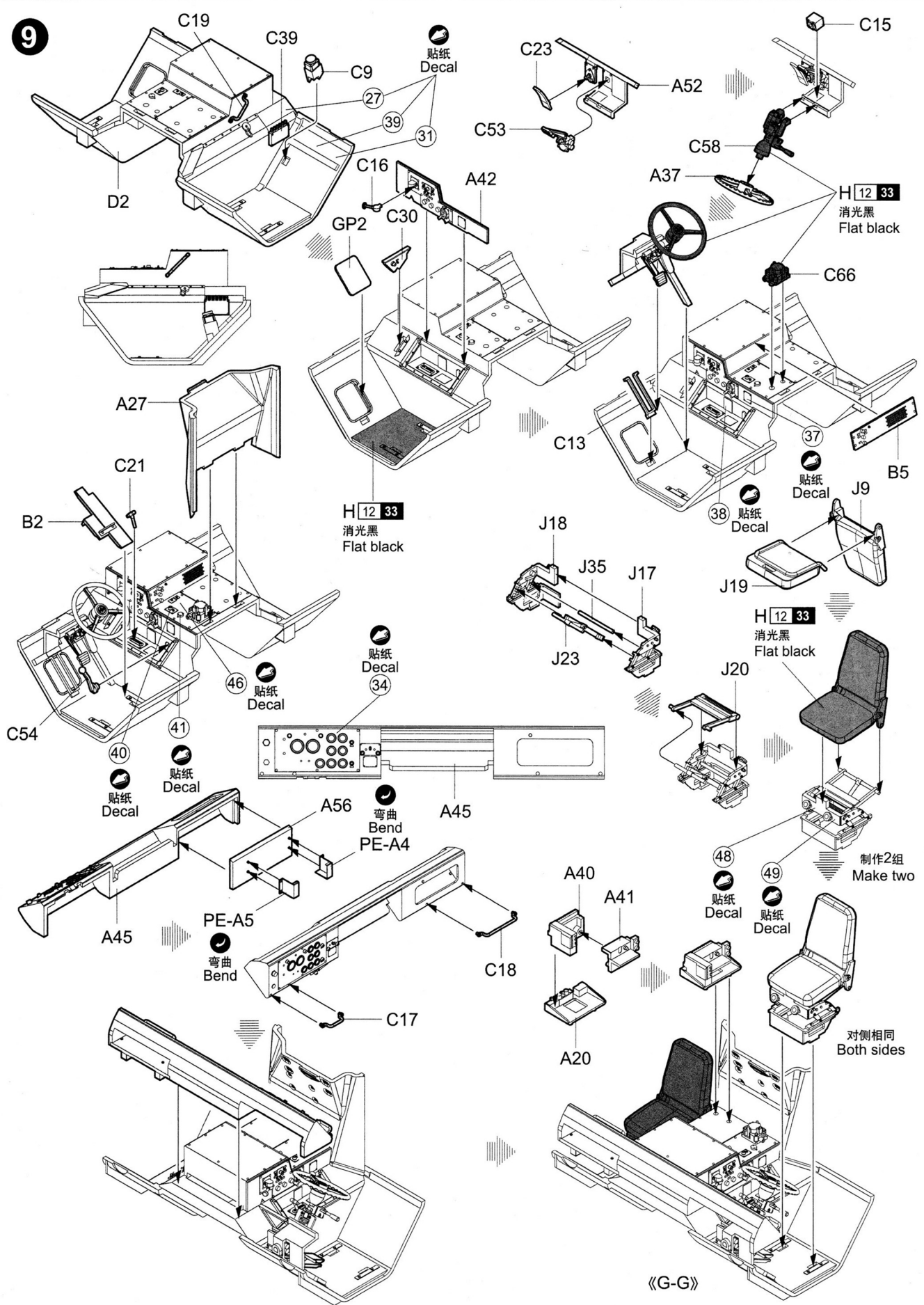
7



8

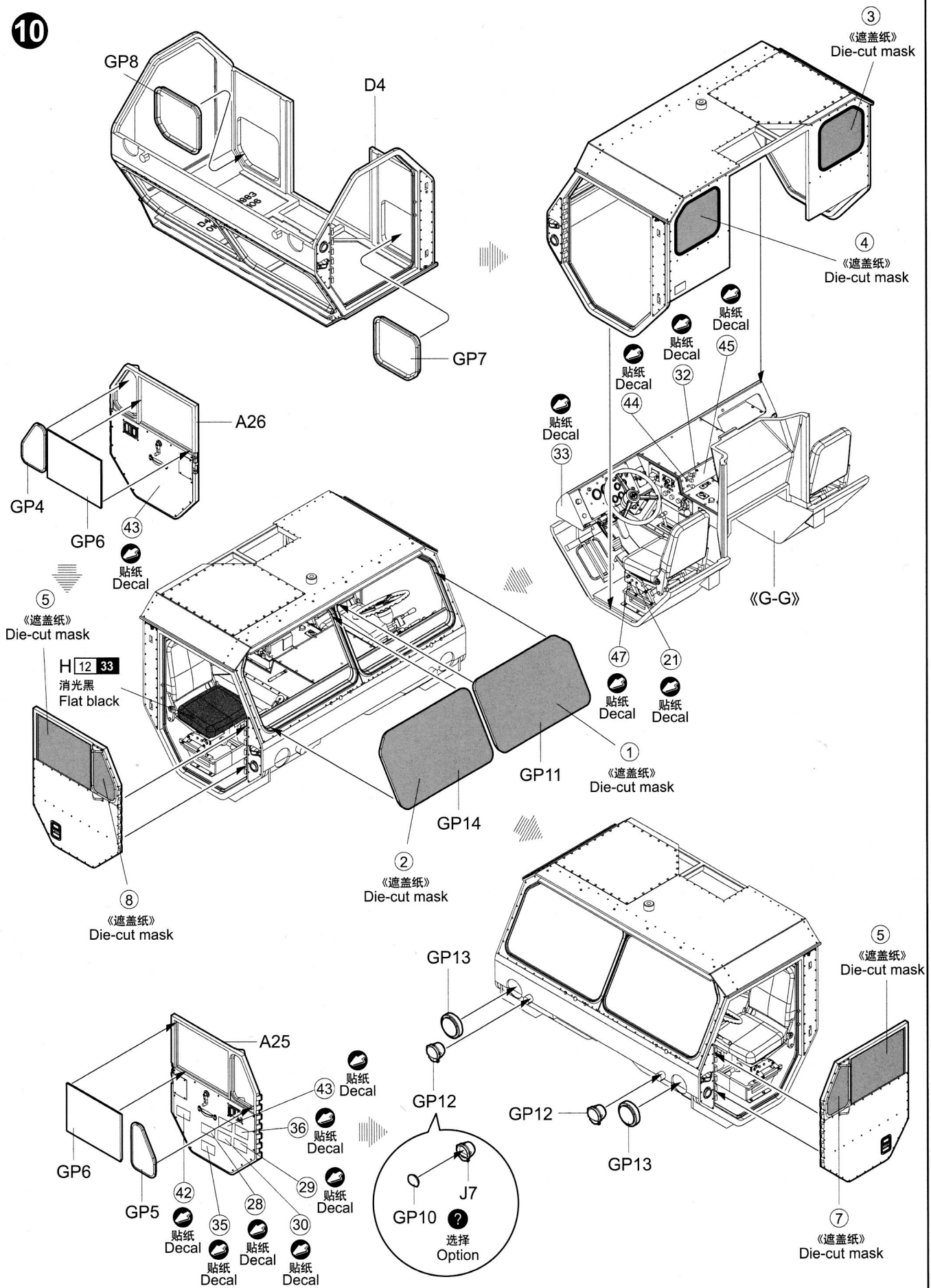


9

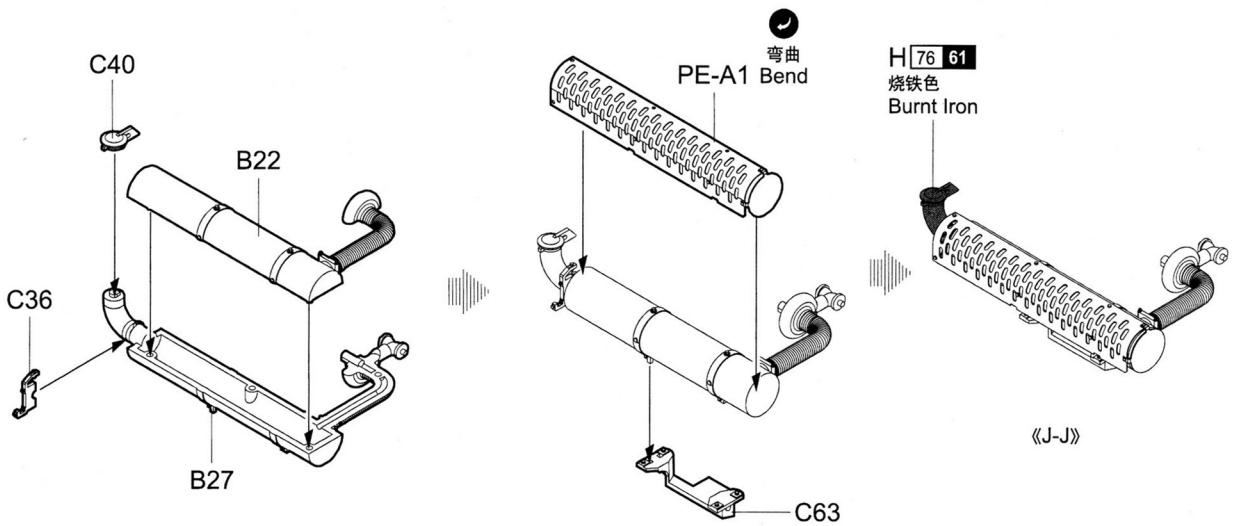
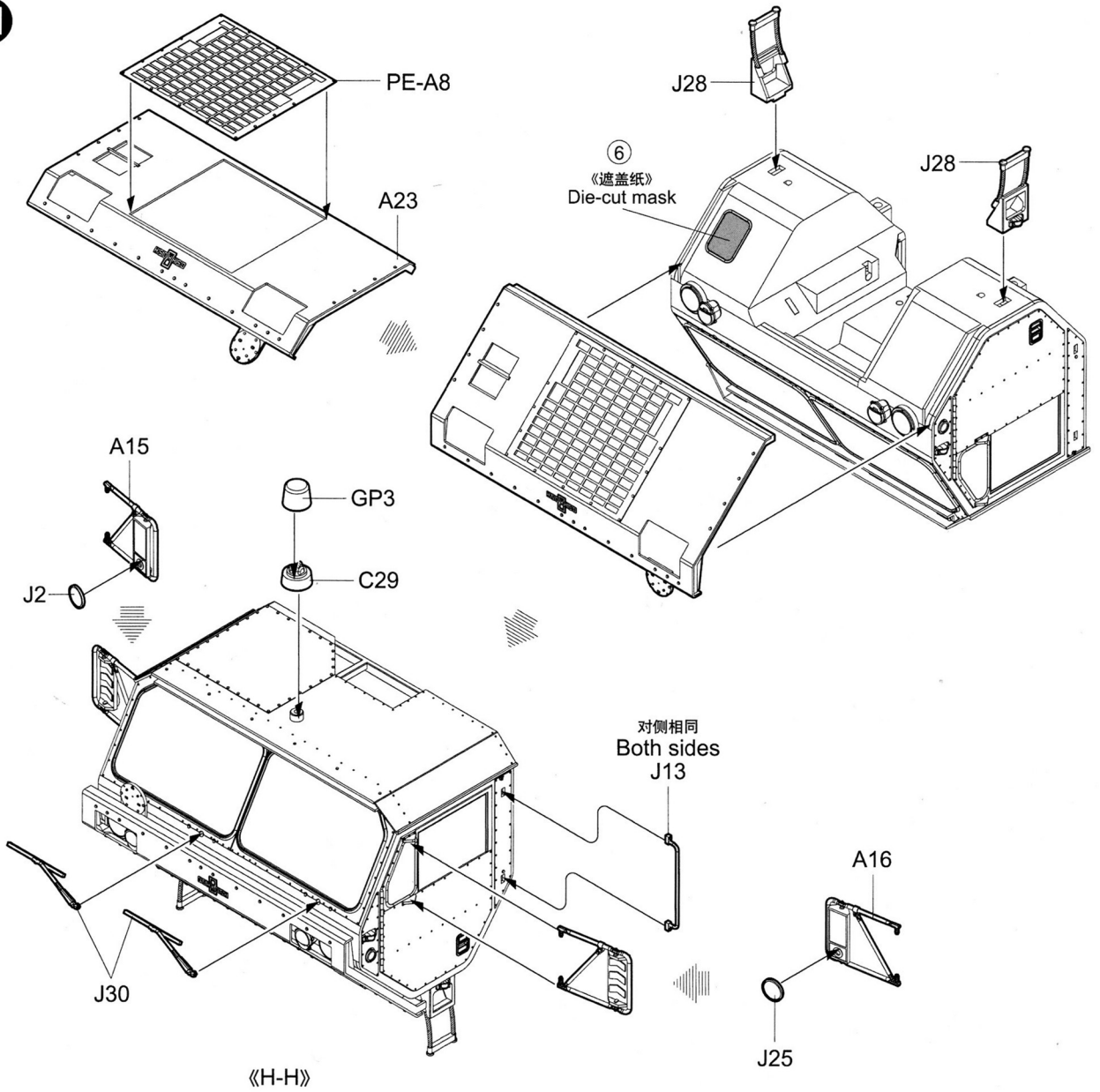


《G-G》

10



11



《J-J》

B37

C14

A34

A35

B38

《H-H》

C56

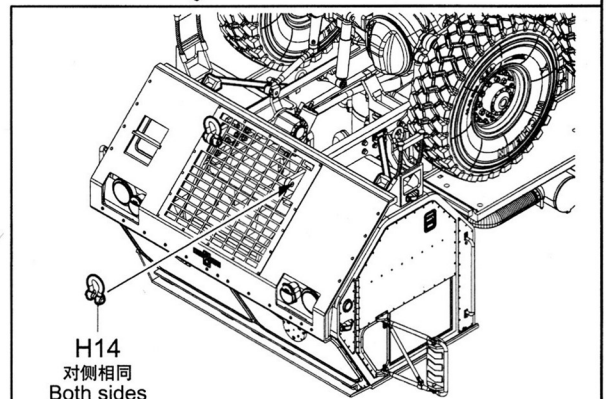
A43

PE-A3

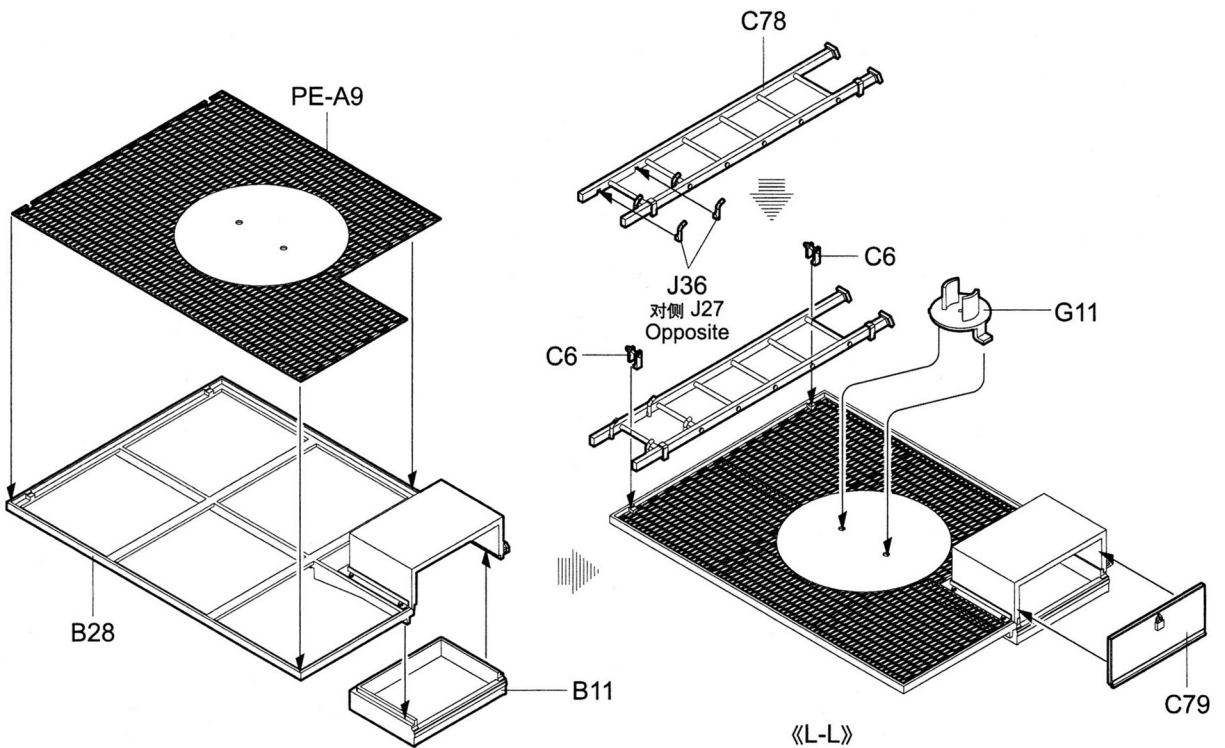
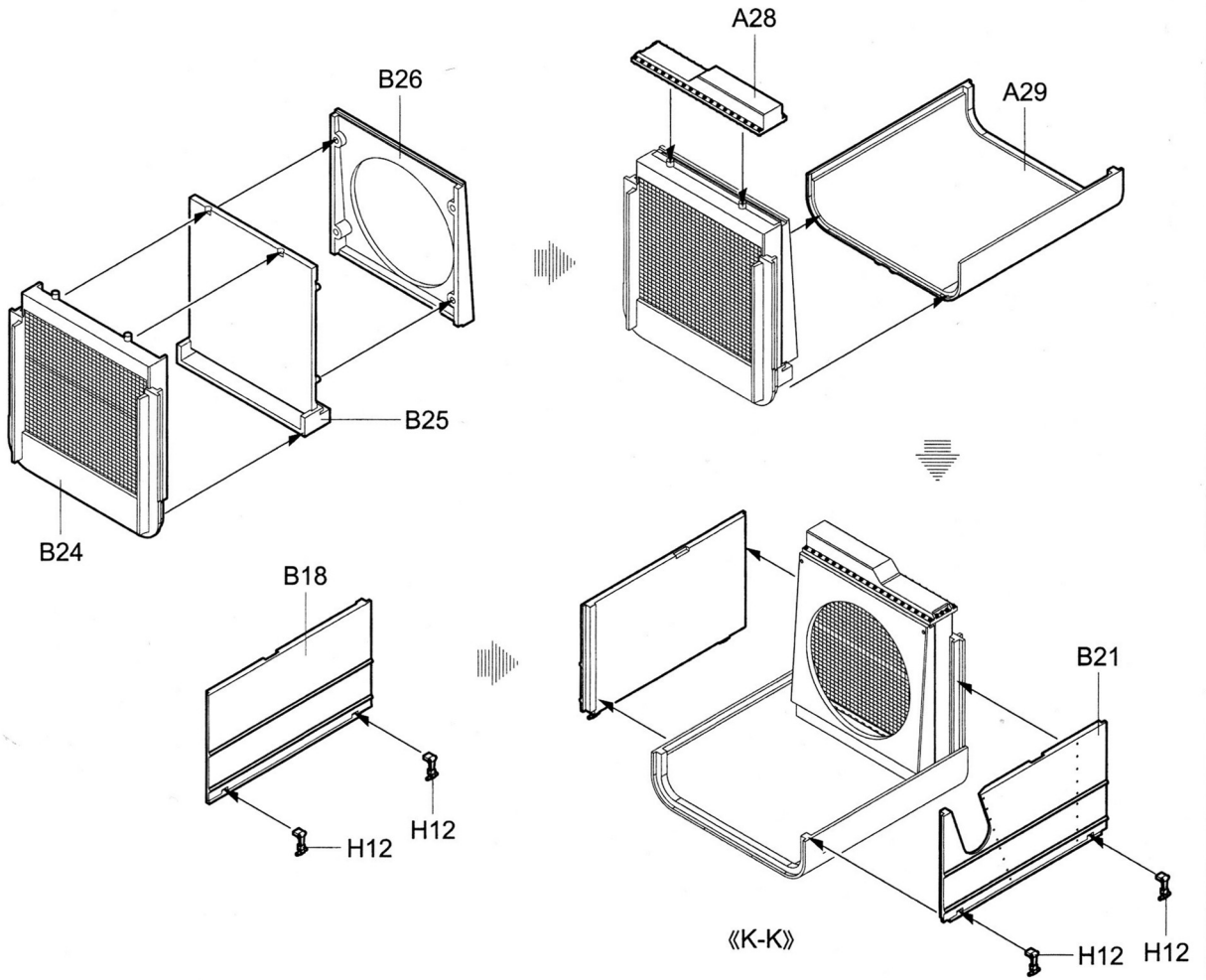
弯曲
Bend

C85

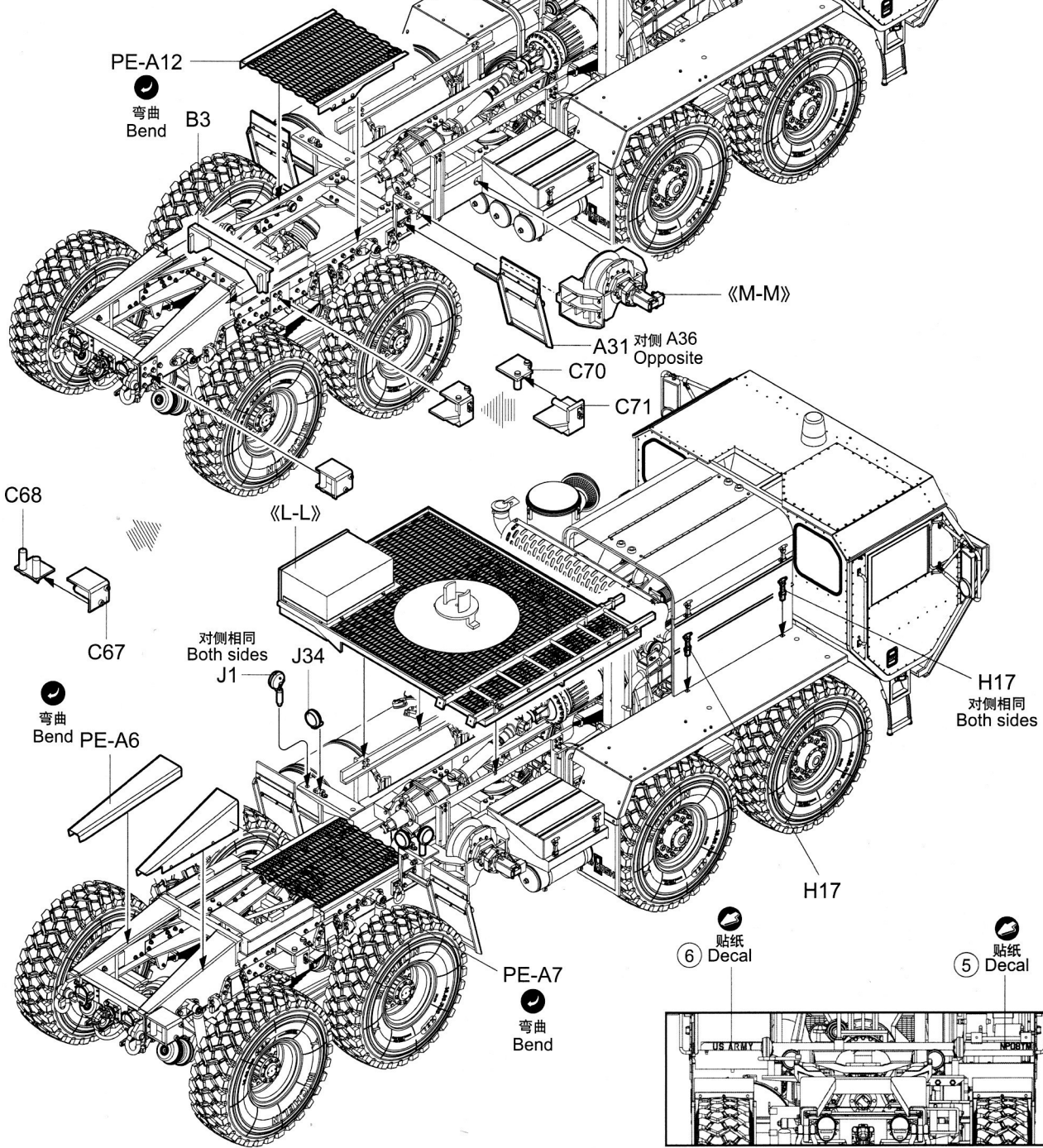
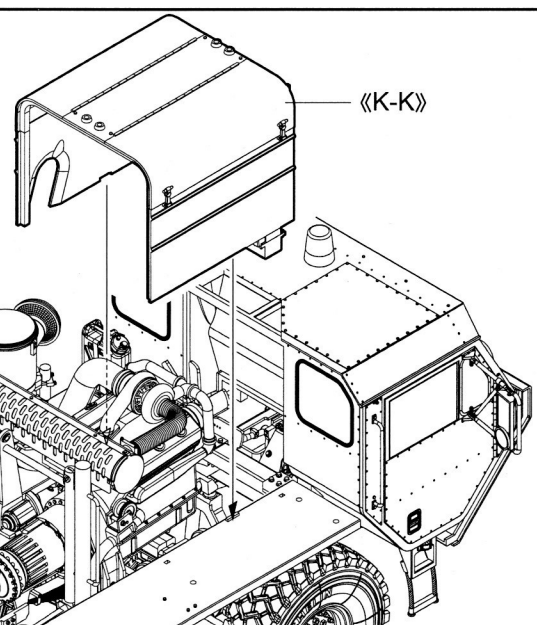
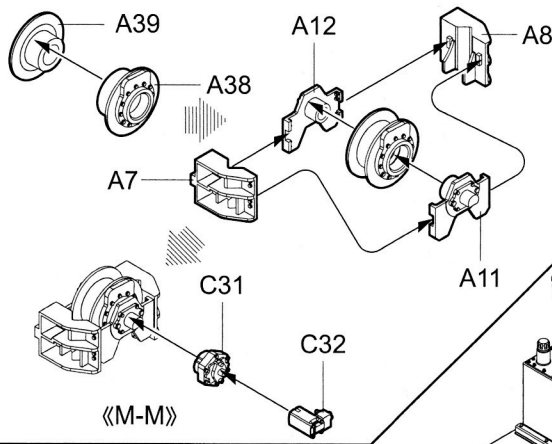
C7



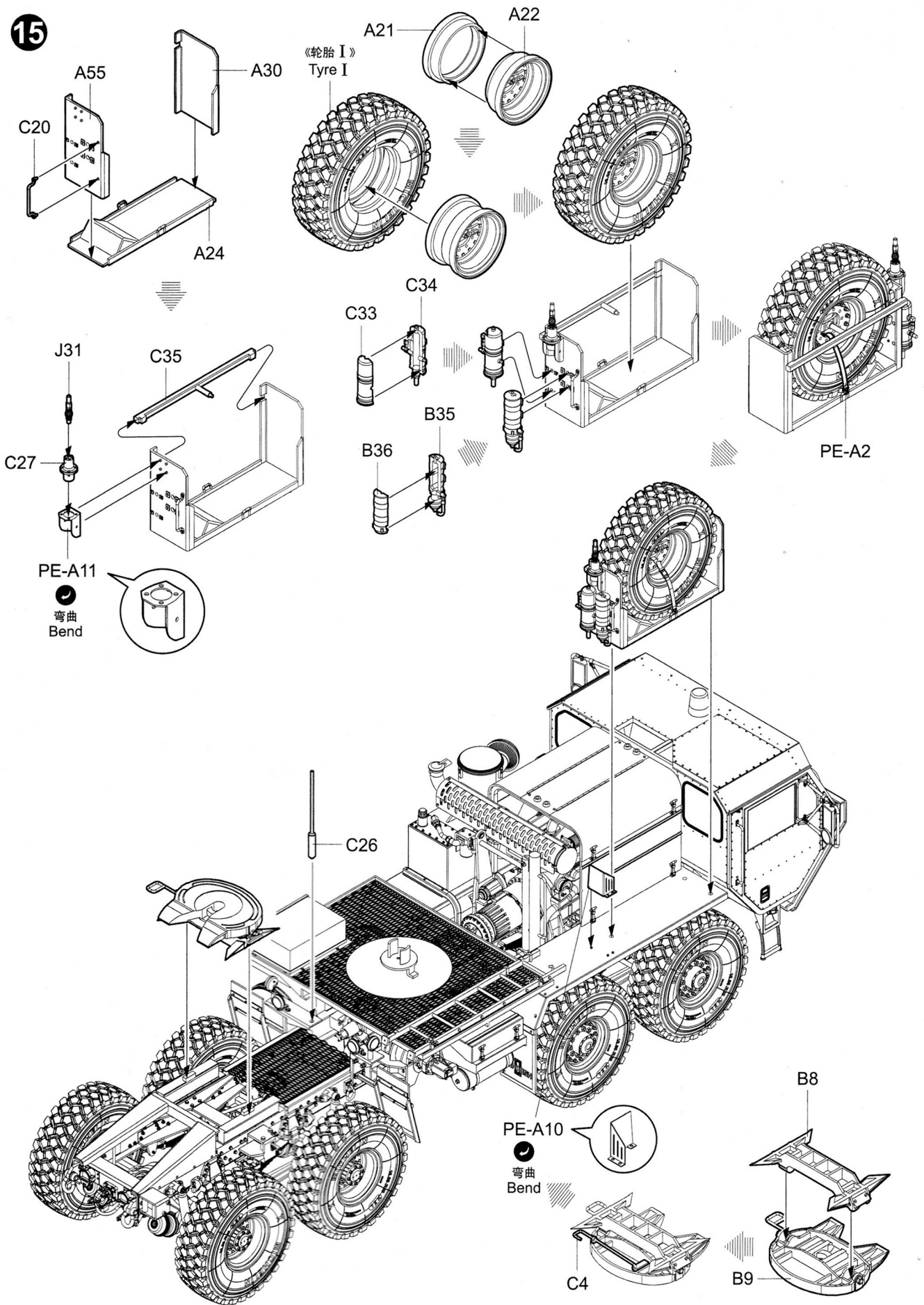
13



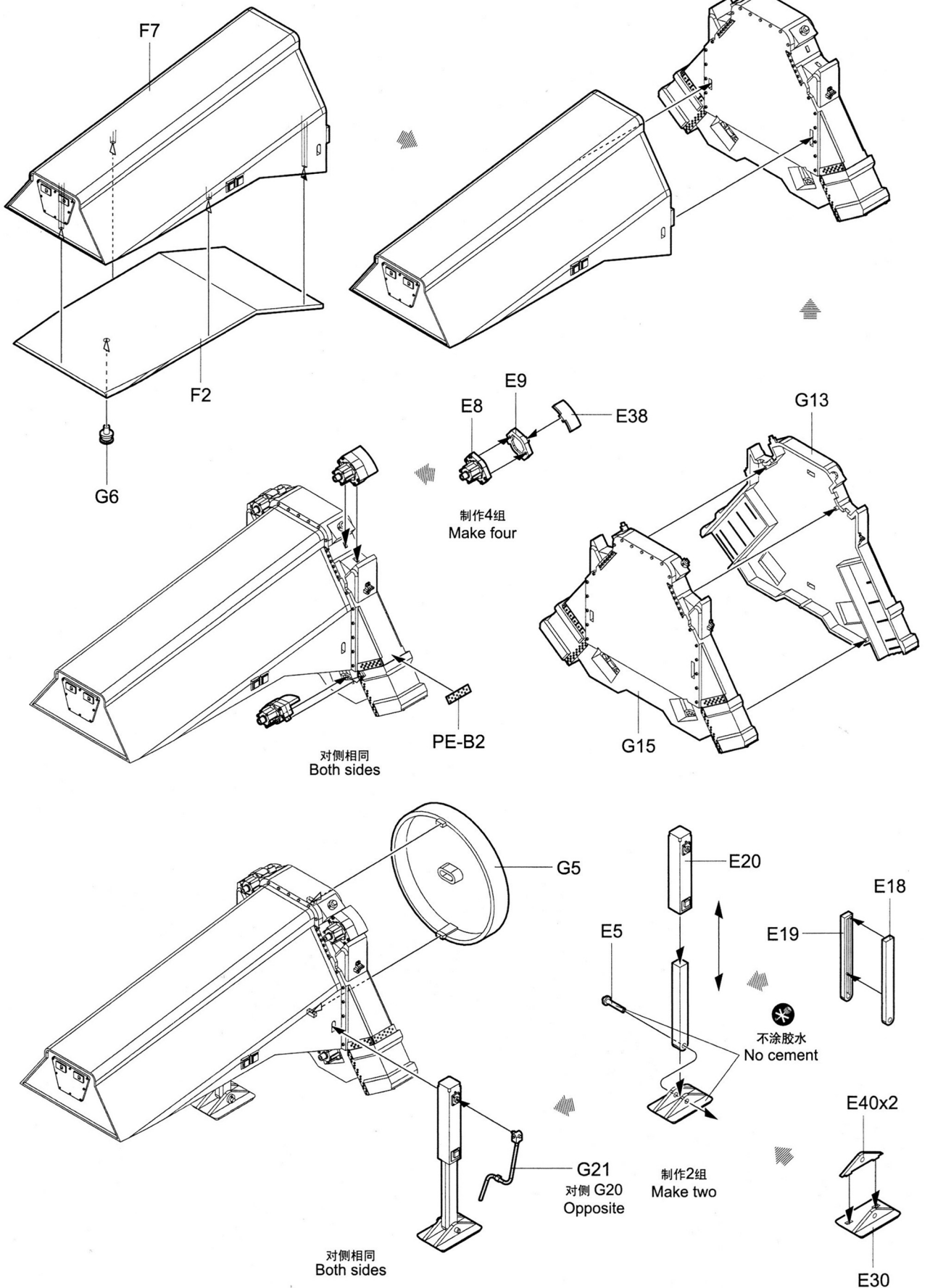
14



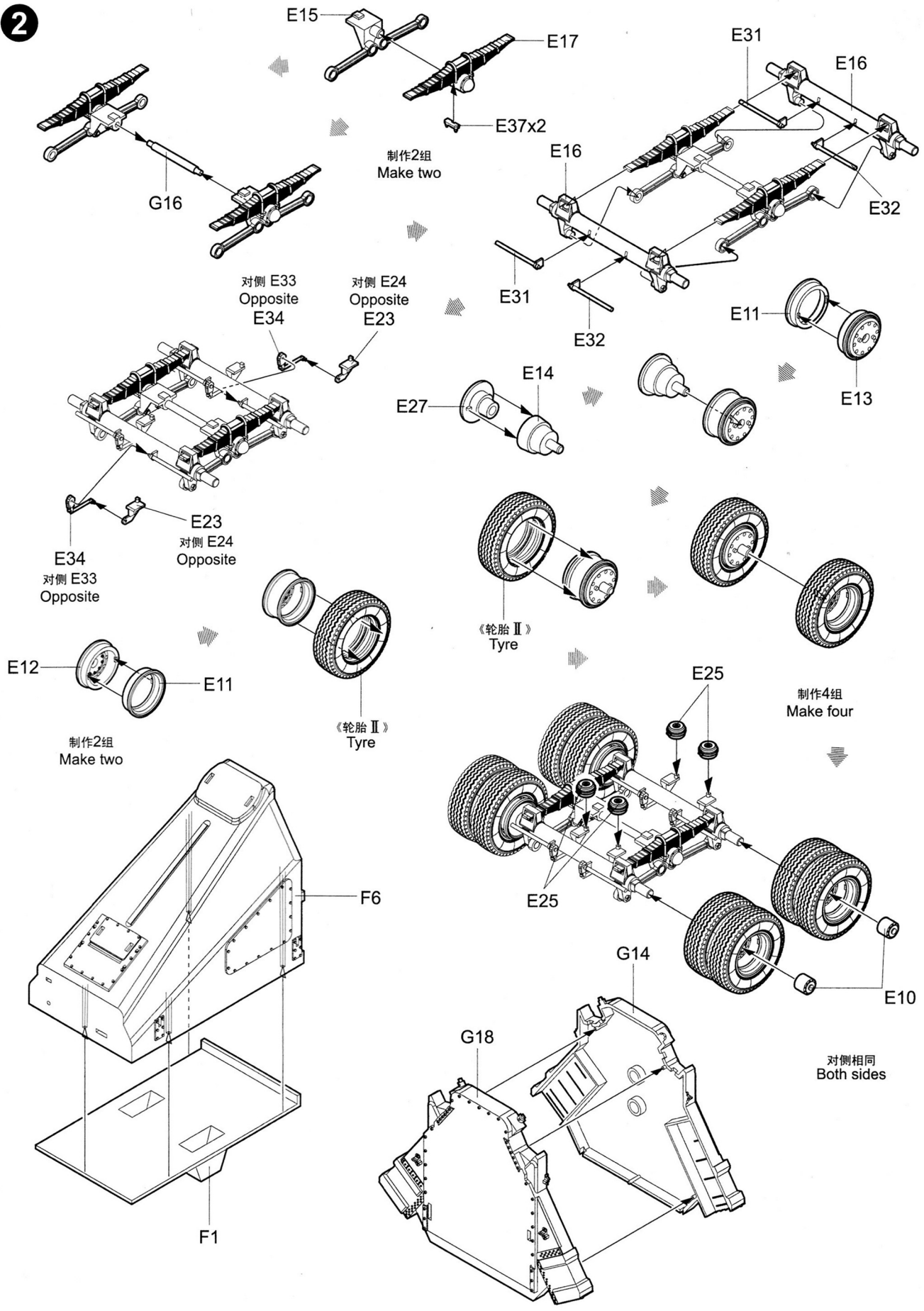
15



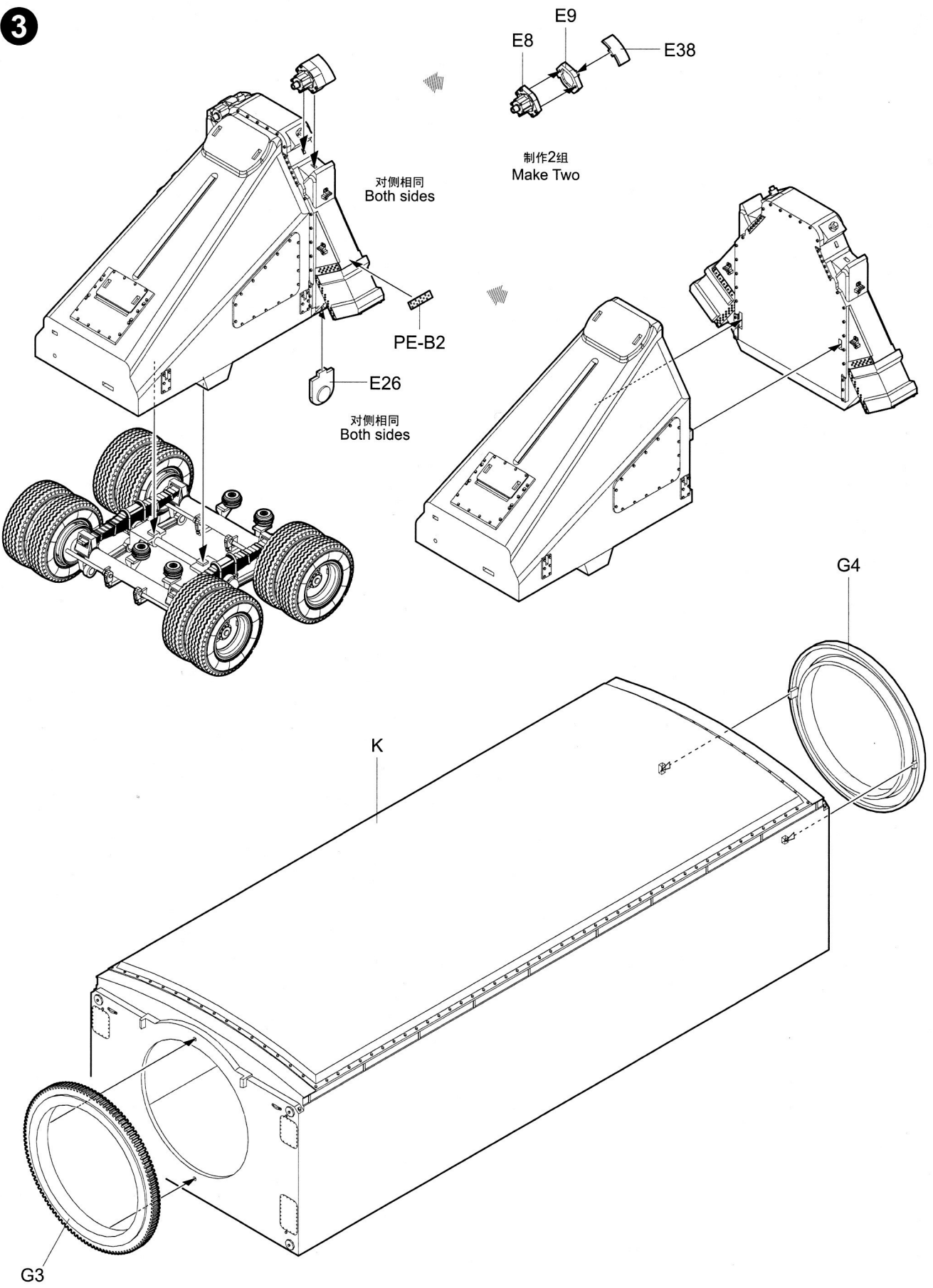
1



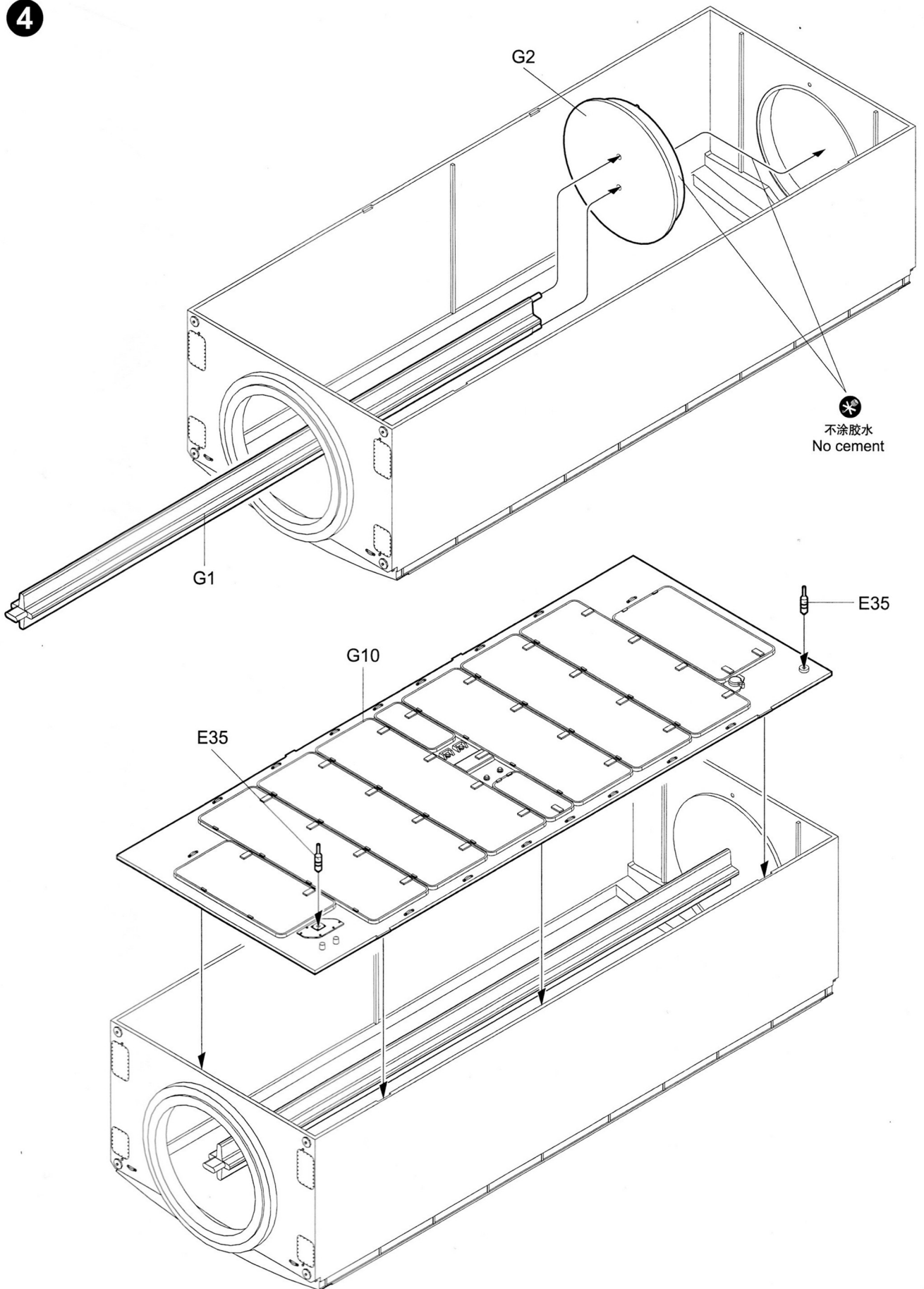
2



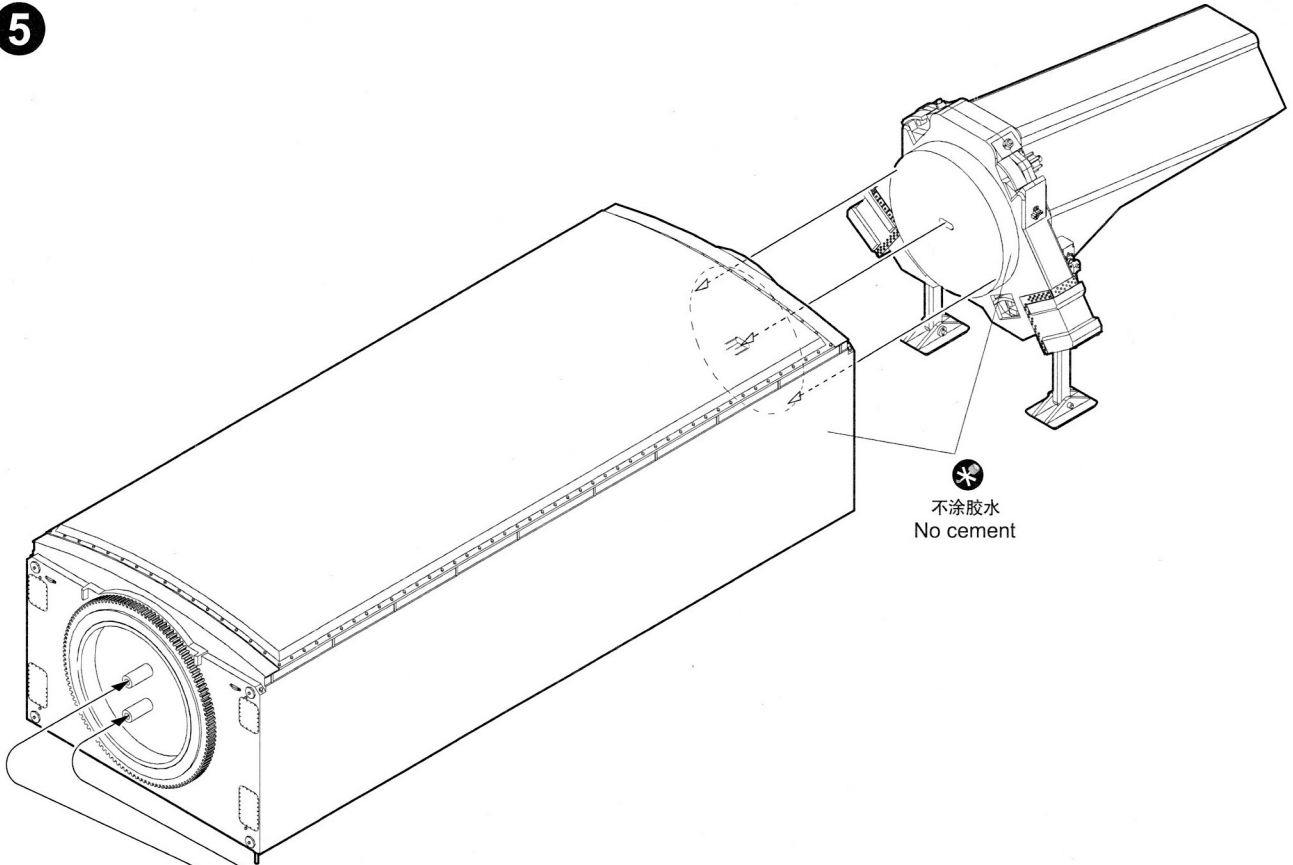
3



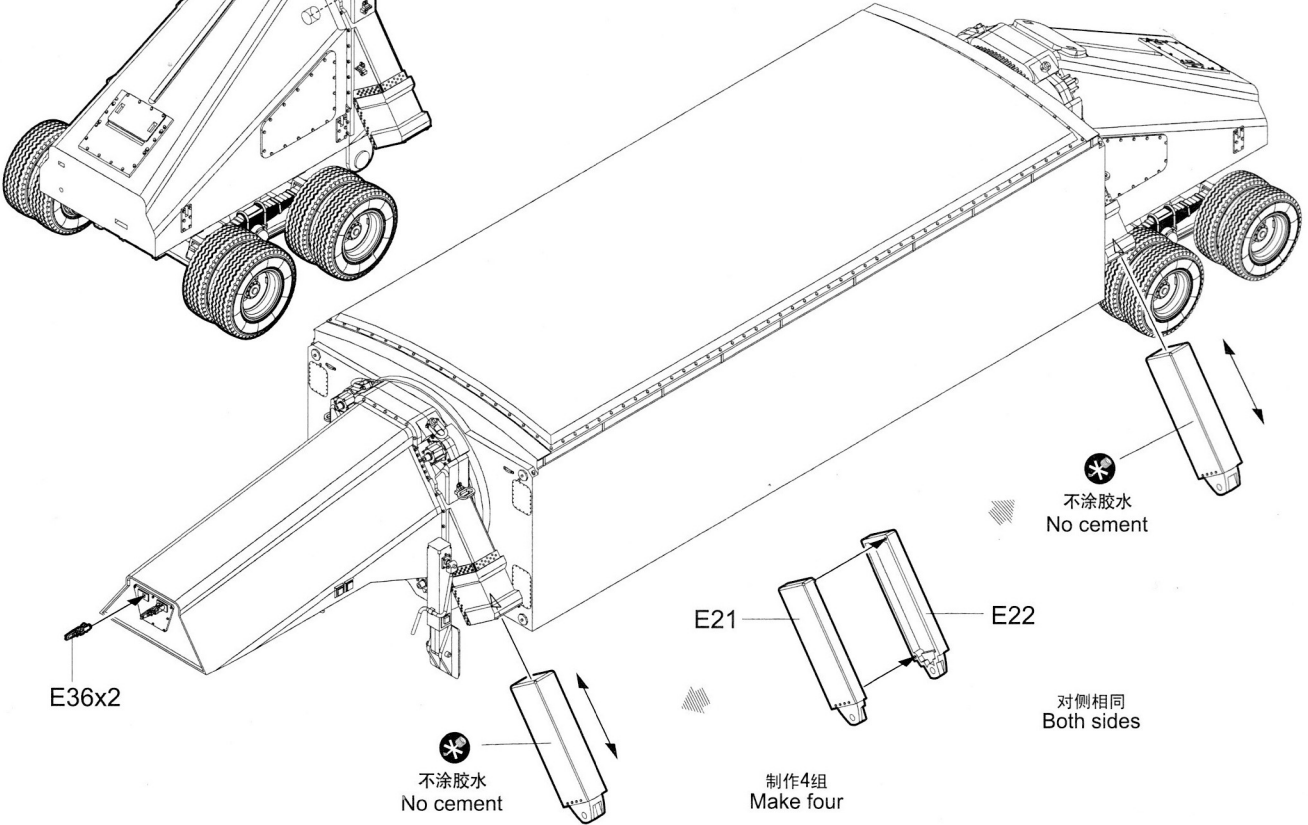
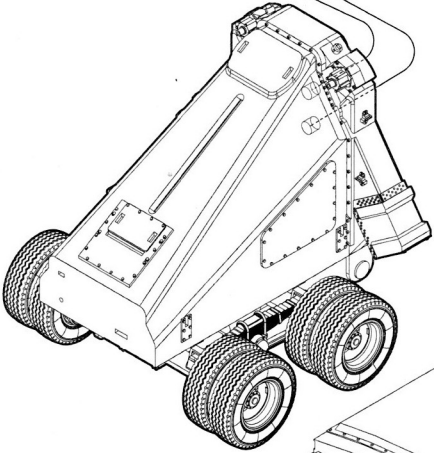
4



5



不涂胶水
No cement



E36x2

不涂胶水
No cement

E21

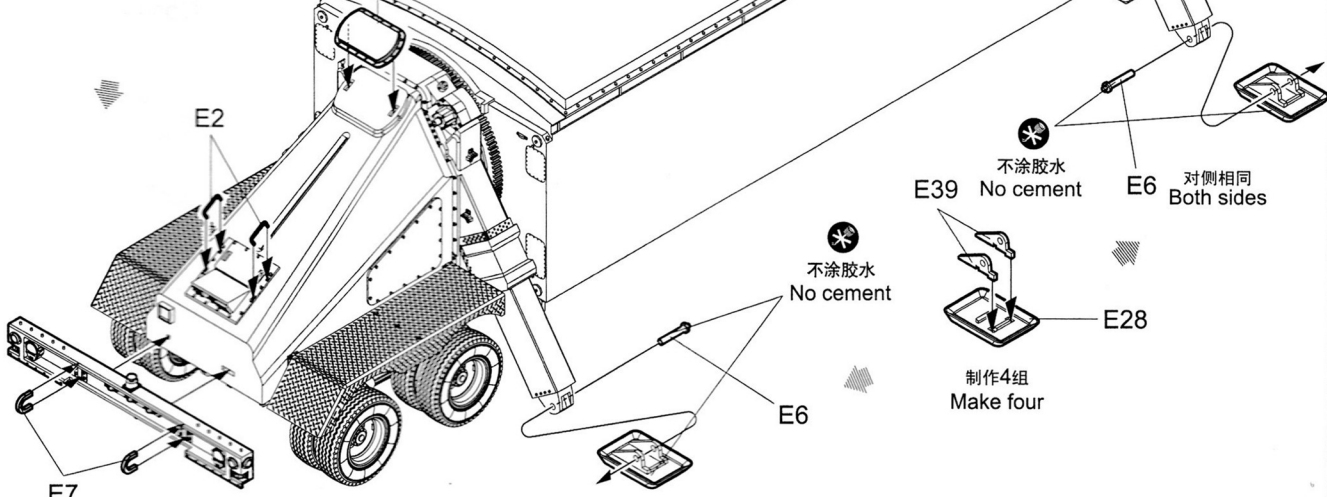
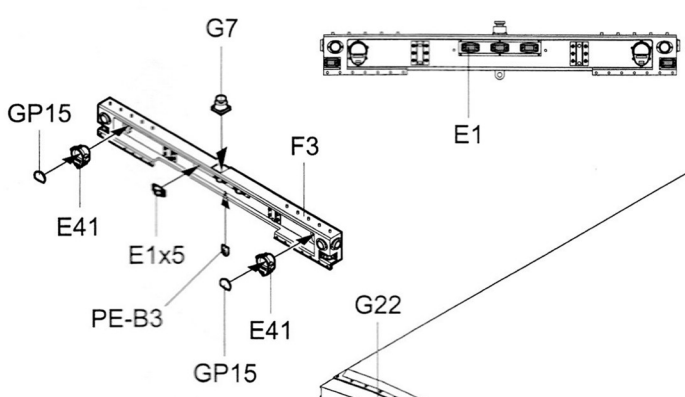
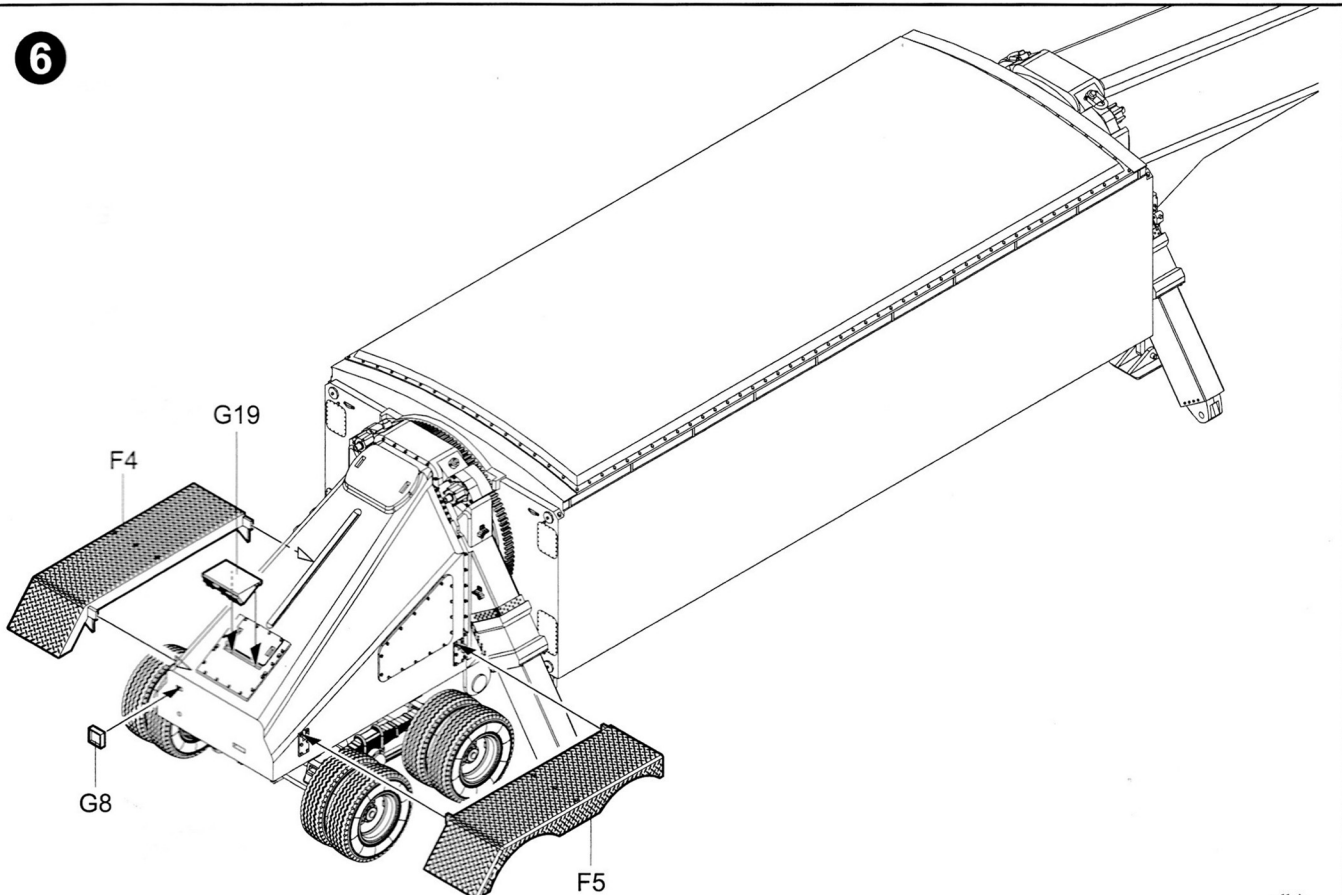
E22

不涂胶水
No cement

制作4组
Make four

对侧相同
Both sides

6



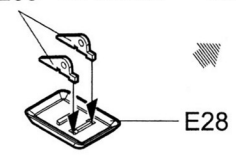
对侧相同
Both sides

不涂胶水
No cement

E39

对侧相同
Both sides

E6

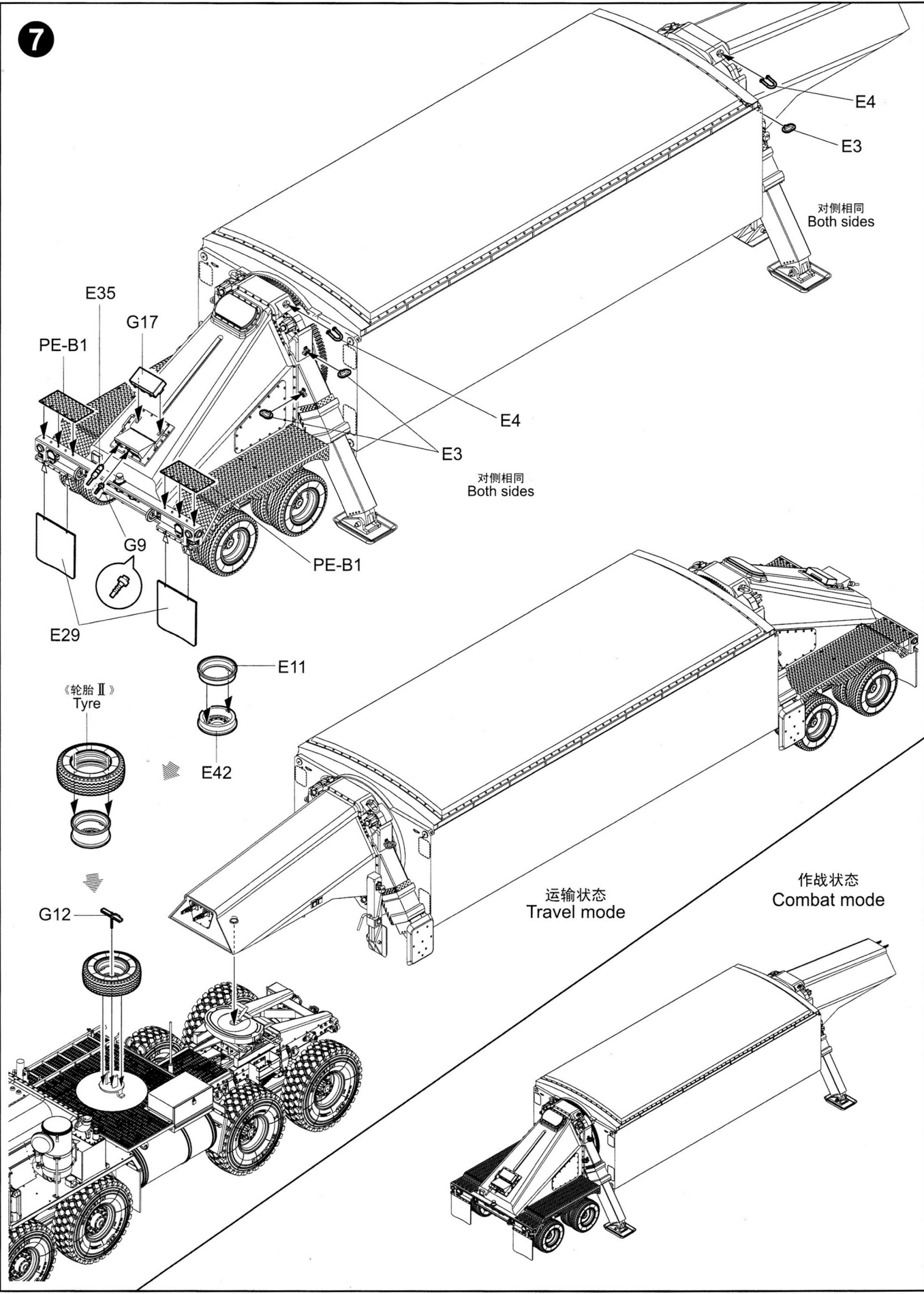


制作4组
Make four

不涂胶水
No cement

E6

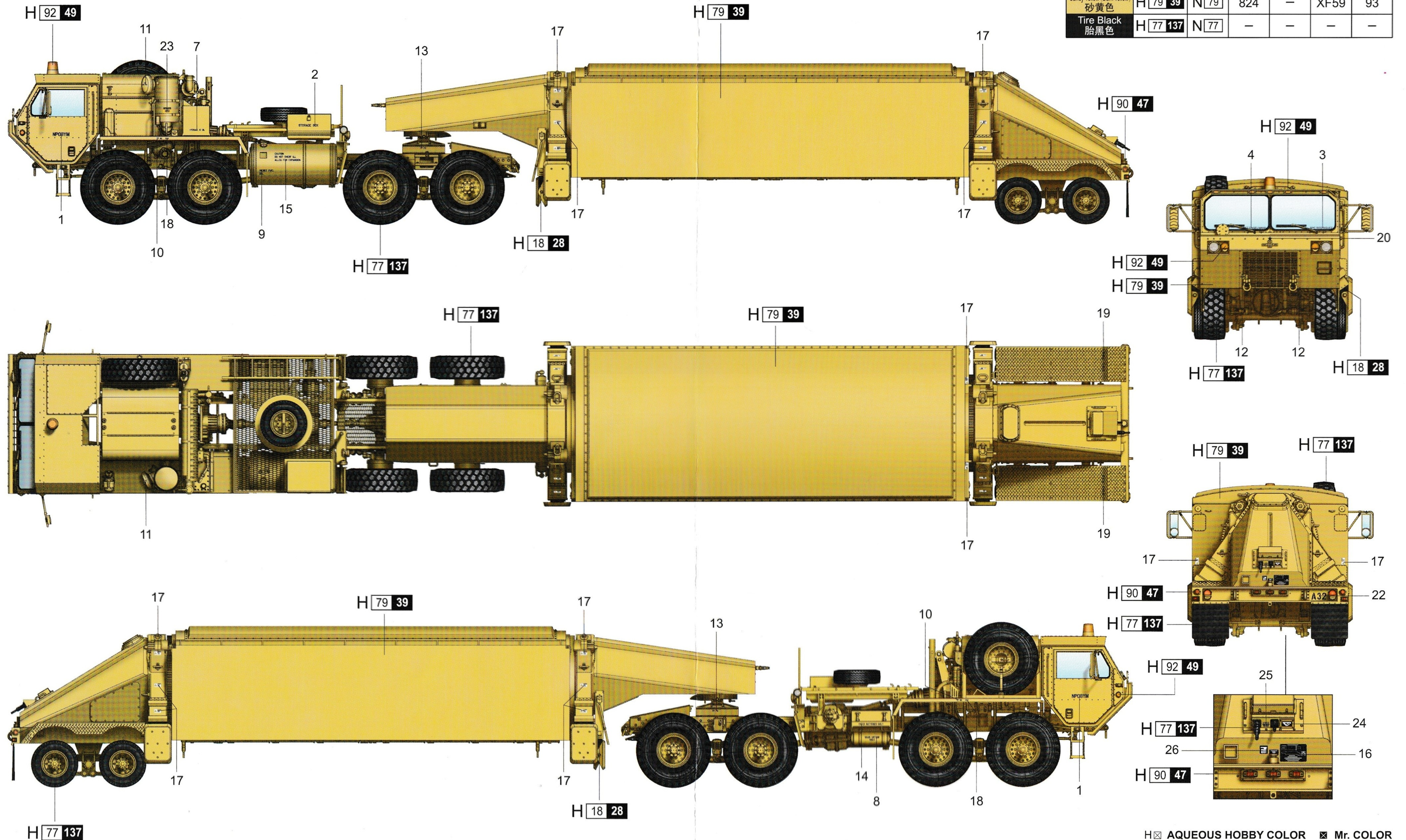
7



涂装同标贴指示 Painting & Marking guide

PAINT REFERENCE COLOR

Color	Mr.Hobby	Acrycion	Vallejo	Model Master	Tamiya	Humbrol
Steel 黑铁色	H 18 28	N 18	864	1402	-	-
Clear Red 透明红	H 90 47	N 90	934	-	X27	-
Clear Orange 透明橘	H 92 49	N 92	935	-	X26	-
Sandy Yellow (Dark Yellow) 砂黄色	H 79 39	N 79	824	-	XF59	93
Tire Black 胎黑色	H 77 137	N 77	-	-	-	-



H AQUEOUS HOBBY COLOR Mr. COLOR
N ACRYCION COLOR