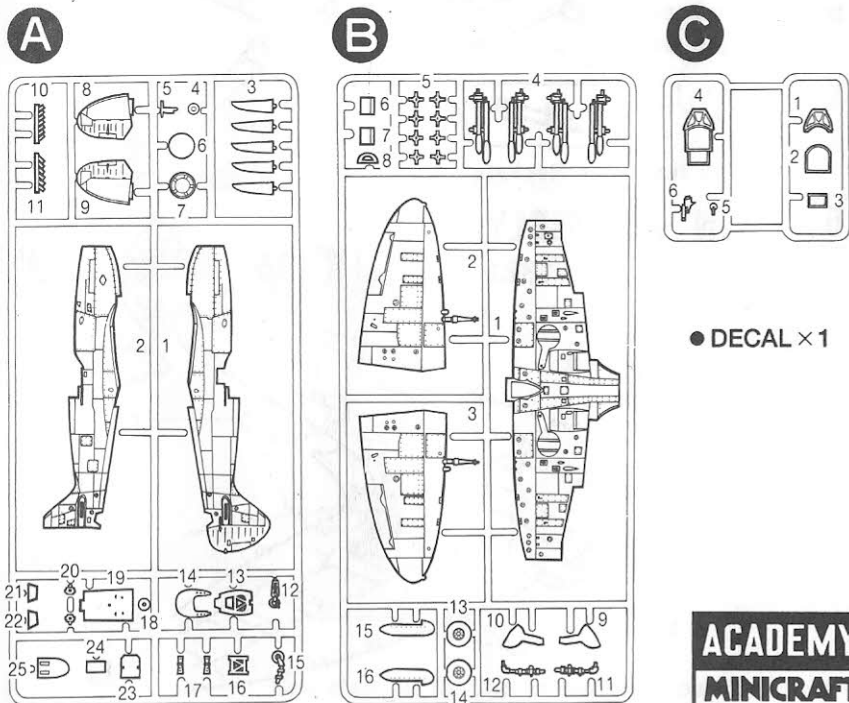


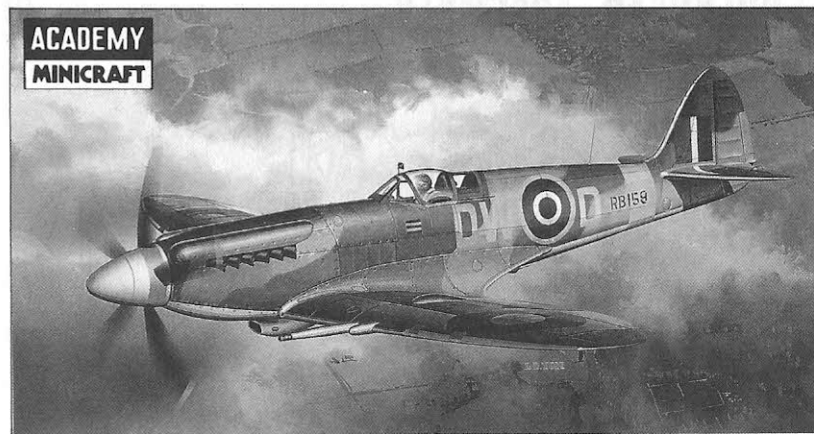
PARTS LOCATING DIAGRAM



**ACADEMY
MINICRAFT**

2130

Copyright 1995 Minicraft Models Inc.



1/72nd Scale

SUPERMARINE SPITFIRE MARK XIV

History was forever made on October 5, 1944 when a **Spitfire XIV** of No. 610 Squadron was the first Allied aircraft to shoot down a turbojet-powered Messerschmitt 262A Swallow!

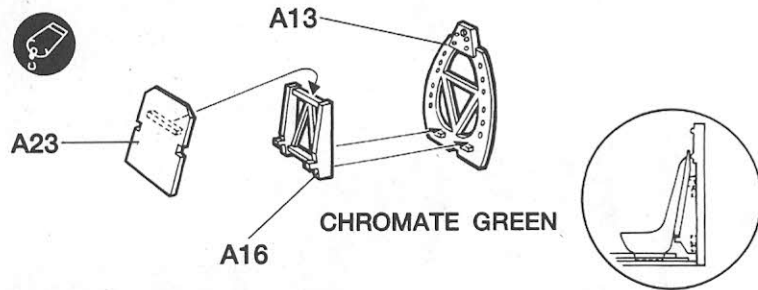
Designed as an experimental Mark V fore-runner of future Griffin-engined Spitfires, it proved so promising, it was named the **Mark XIV** and rushed into production. Over 1,000 aircraft of this type were manufactured and deployed before the end of World War II. It was the **Mark XIV** that finally had the range and maneuverability to go against the FW-190 on equal terms. Powered by the two-stage Griffin type 65 engine, the **Mark XIV** differed from the earlier Spitfires by its larger rudder and elevators, five-bladed ROTOL propeller and four 20mm cannon mounted in its type "C" or "E" wing.

Besides its successful battle history, in particular shooting down over 300 V-1 Flying Bombs, many aviation enthusiasts regard the **Spitfire Mark XIV** as one of the most beautiful fighter airplanes ever designed.

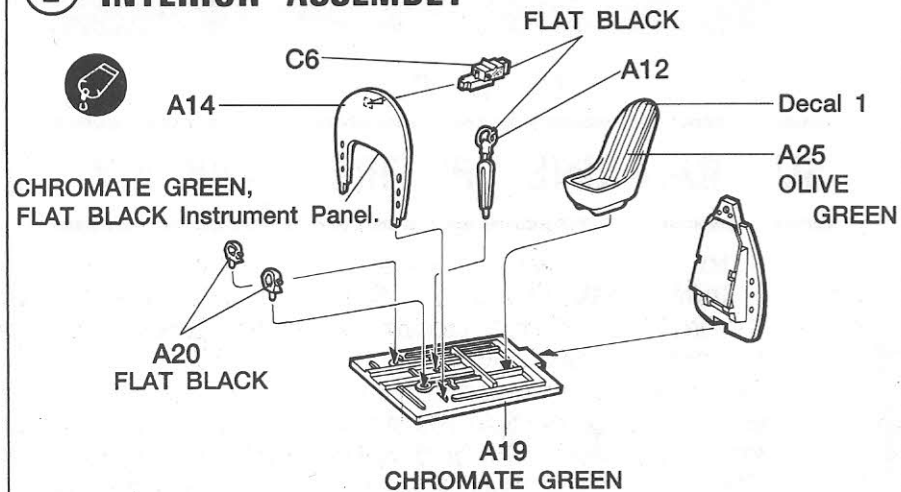
This kit has been engineered with the able assistants of IPMS (UK); namely by Ernie Lee, Dennis J. Mulligan (Past President) and especially Graham L. Green, a life long **Spitfire** expert and enthusiast who was able to make available a considerable amount of information, much of it from original Supermarine drawings.

2130

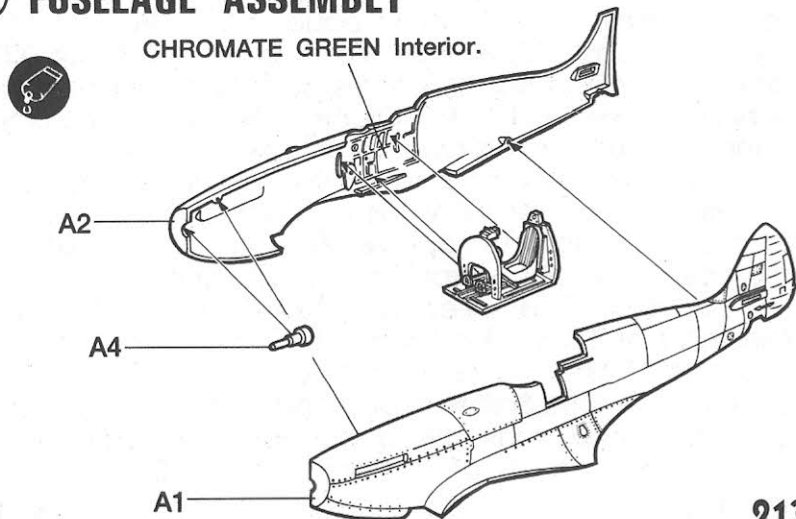
1 BULKHEAD ASSEMBLY



2 INTERIOR ASSEMBLY

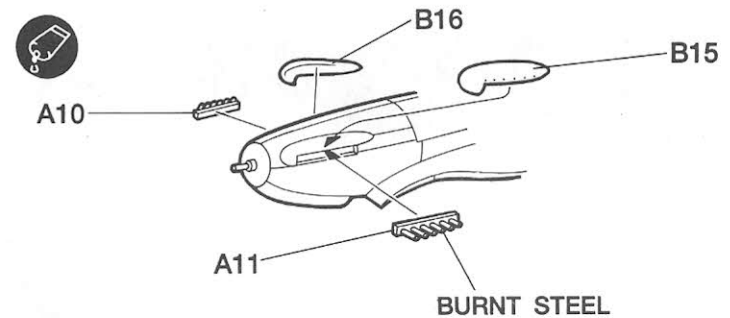


3 FUSELAGE ASSEMBLY

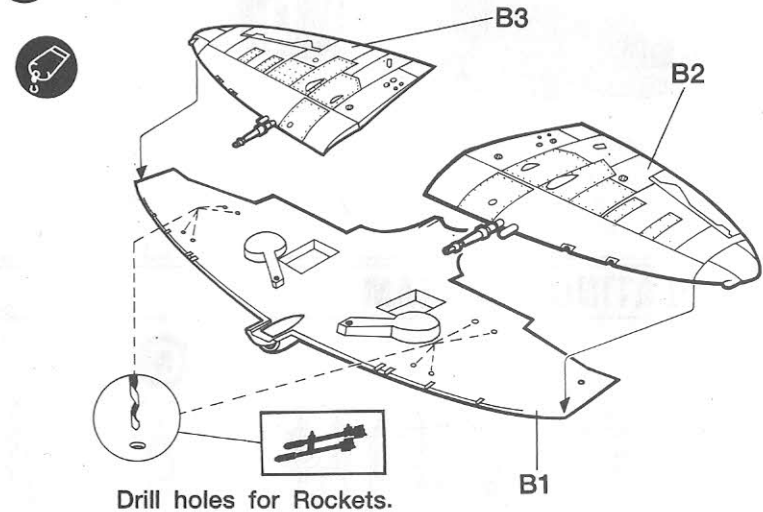


2130

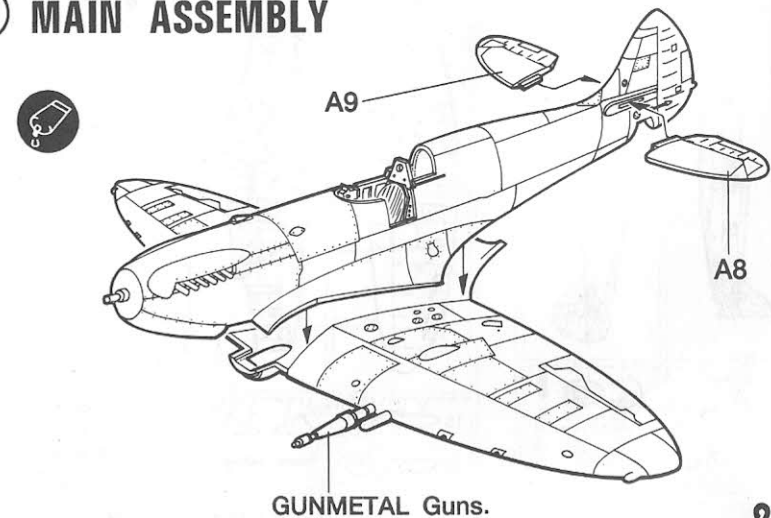
4 ENGINE EXHAUST ASSEMBLY



5 WING ASSEMBLY

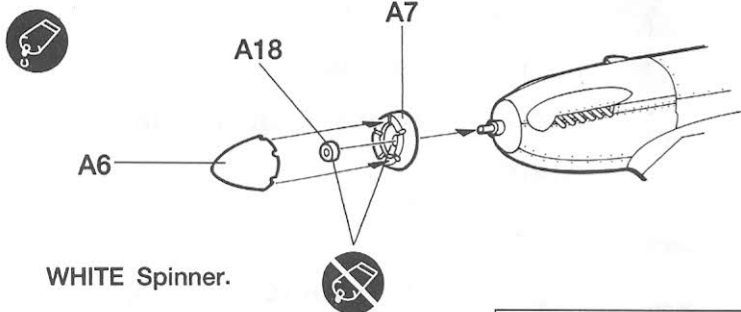


6 MAIN ASSEMBLY



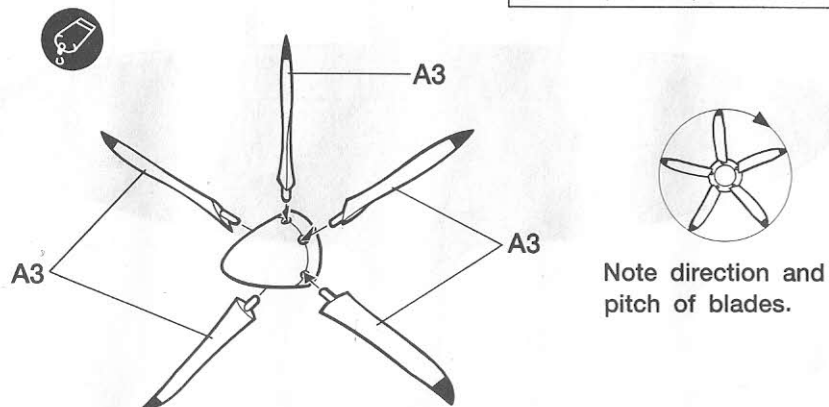
2130

7 SPINNER ASSEMBLY



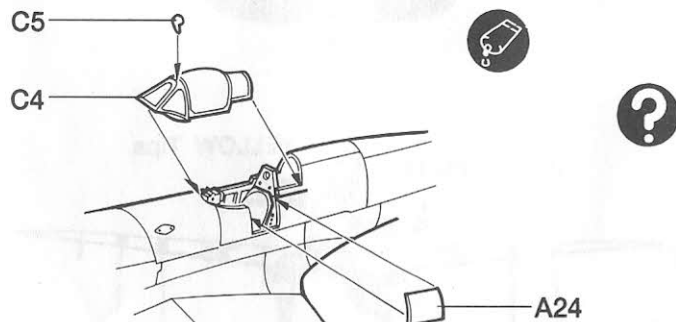
TO RECEIVE A COPY OF THE NEWEST FULL COLOR MINICRAFT/ACADEMY CATALOG, SEND US \$ 5.00(U.S.A.ONLY) OR US \$ 6.00 (FOREIGN) TO MINICRAFT MODELS, INC. P.O.BOX 3577, TORRANCE, CA. 90510 U.S.A.

8 PROPELLER ASSEMBLY



FLAT BLACK Blades with YELLOW Tips.

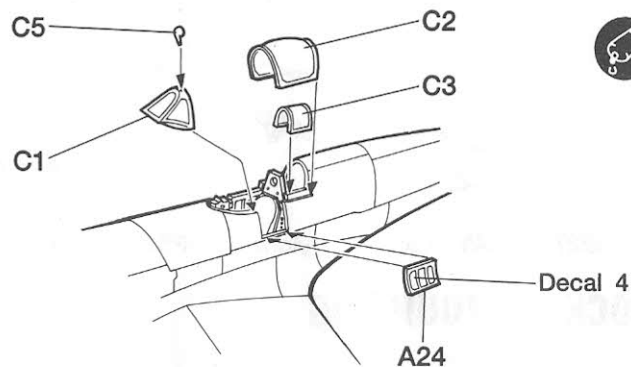
9 CANOPY MOUNTING(Closed)



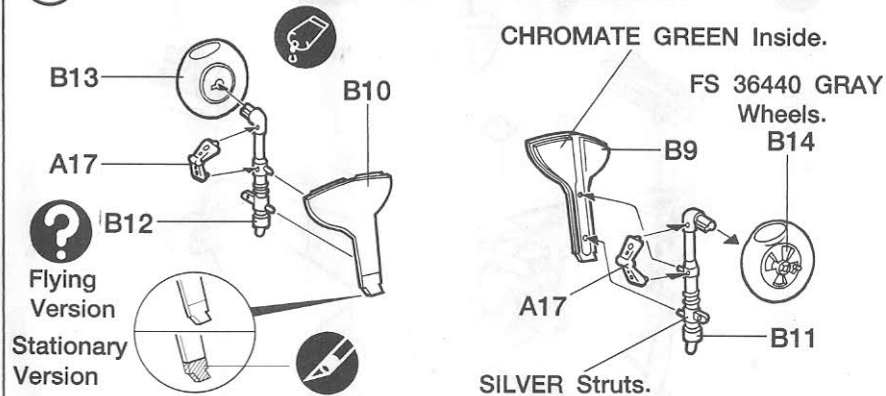
See step 10 for placement of Decal 4.

2130

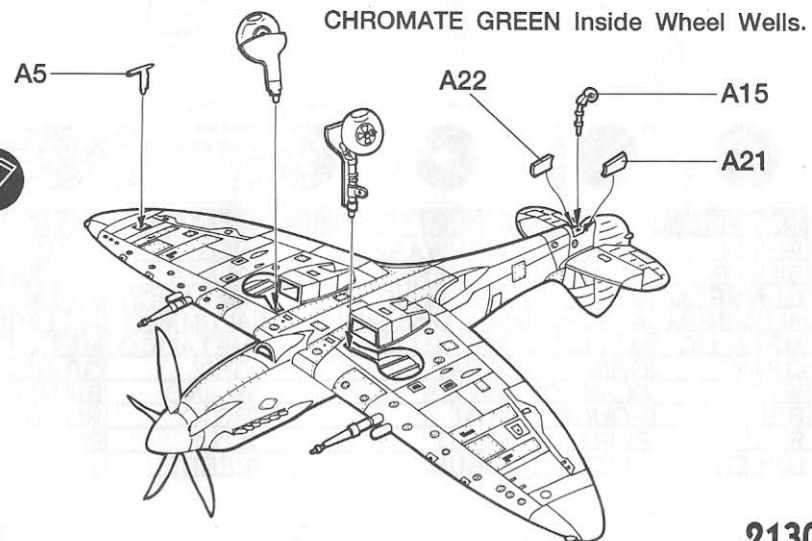
10 CANOPY MOUNTING(Open)



11 MAIN LANDING GEAR ASSEMBLY

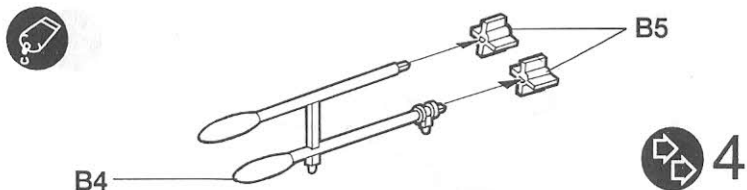


12 LANDING GEAR MOUNTING



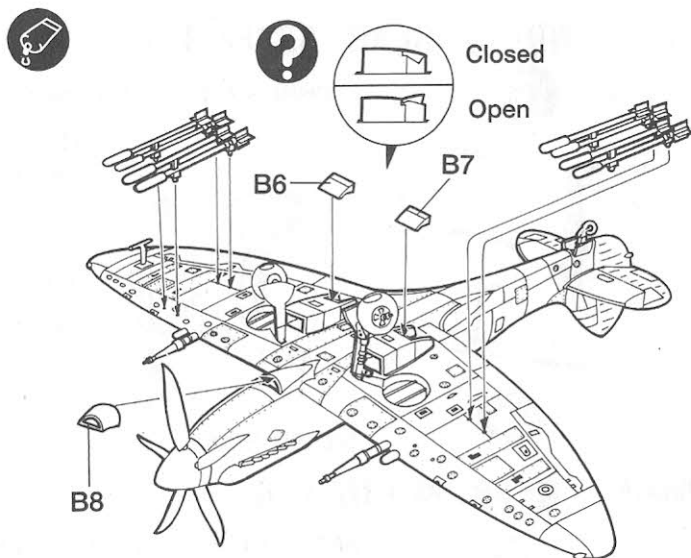
2130

13 ROCKET ASSEMBLY



FS36270 GRAY Rockets, Pylons are FS36440 GRAY.

14 ROCKET MOUNTING



	Cement Parts Coller Kleben Pegar Incolare Colar Kleven		DO NOT cement Ne pas coller Nicht kleben No pegar Non incollare Nao colar Niet kleven		Cut away Couper Scheiden Cortar Tagliare Cortar Snijden		Optional parts Choix Auswahlmoglichkeit Eleccion Scelta Opcao Keuze		Repeat operation Répéter l'opération Vorgang wiederholen Repetir la operación Ripetere Repetir a operação Herhalen
--	---	--	--	--	--	--	--	--	---

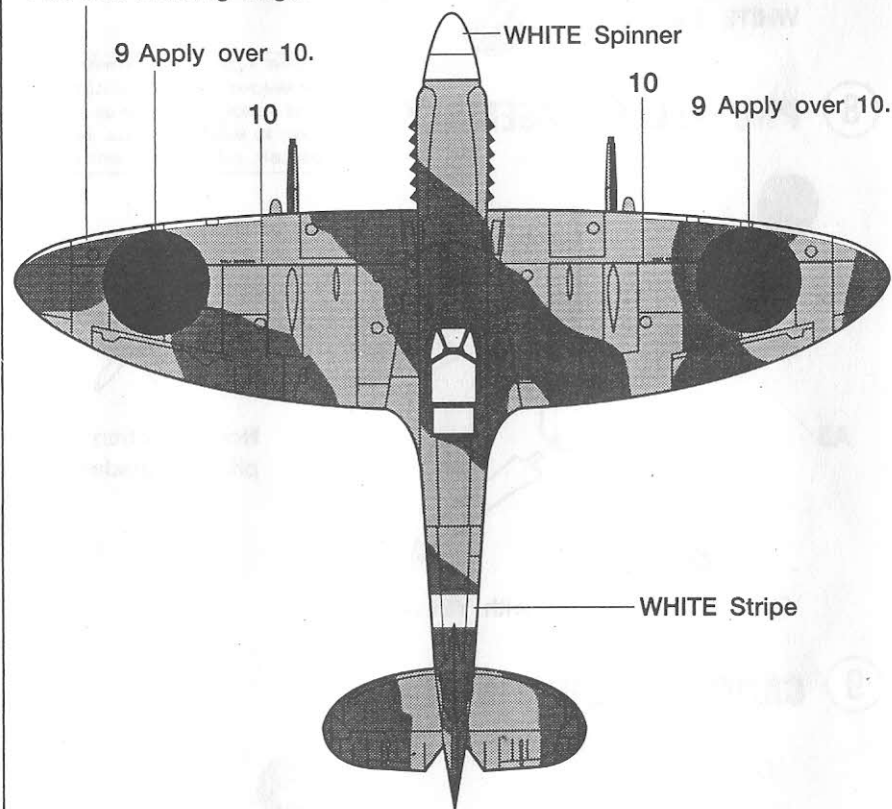
ENGLISH	FRENCH	GERMAN	SPANISH	ITALIAN
BLACK	NOIR	SCHWARZ	NEGRO	NERO
SILVER	ARGENT	SILBERN	PLATA	ARGENTO
GUNMETAL	METALLIC	METALLIC	METALICO	METALLICO
ALUMINUM	ALUMINIUM	ALUMINIUMFARBEN	ALUMINIO	ALLUMINIO
METALLIC	METALLIC	METALLIEK	METALICO	METALLICO
GRAY	GRIS	GRAU	GRIS	GRIGIO
WHITE	BLANCO	WEISS	BLANC	BIANCO
RED	ROUGE	ROT	ROJO	ROSSO
BLUE	BLEU	BLAU	AZUL	BLU
GREEN	VERT	GRUN	VERDE	VERDE

2130

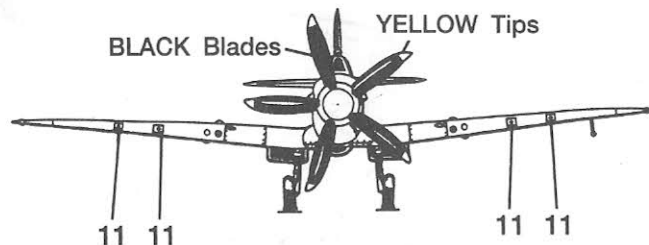
PAINTING & DECAL PLACEMENT

	FS 34096 DARK GREEN
	FS 36270 OCEAN GRAY
	FS 36440 MEDIUM SEA (GULL) GRAY
	WHITE

YELLOW Leading Edge.



BLACK Blades
YELLOW Tips



2130