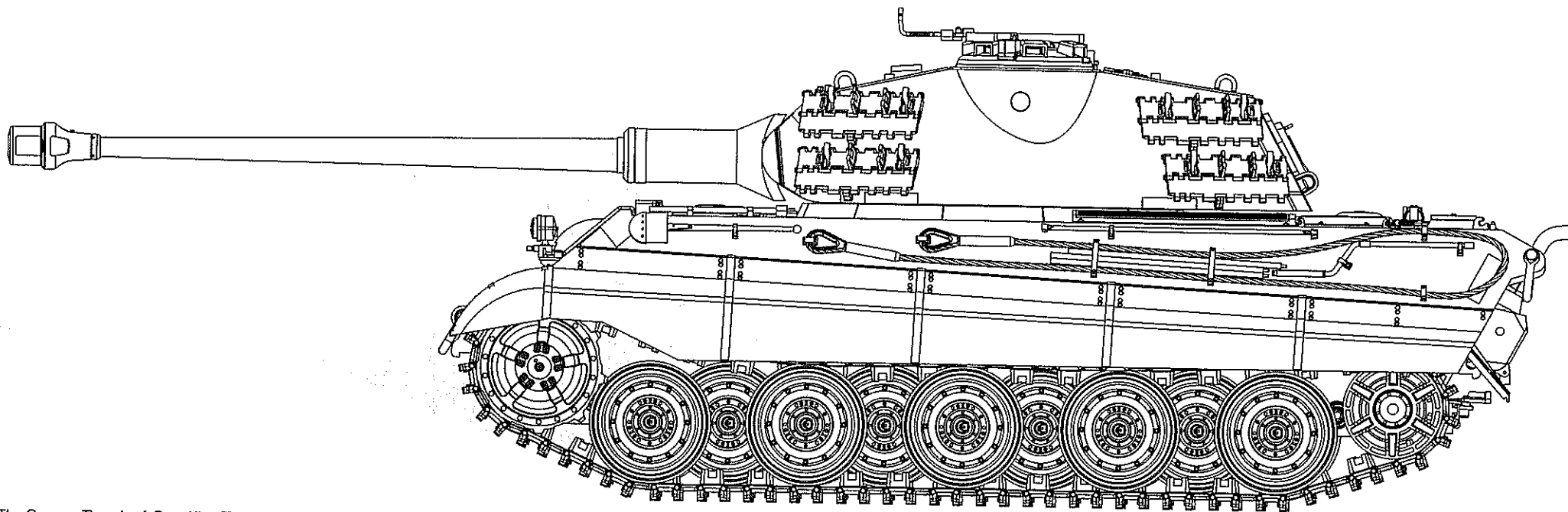


KING TIGER

BRITISH 1/35 PORSCHE TURRET



The German Tiger Ausf. B, or King Tiger was arguably the very best tank that was put onto the battlefield during WWII, as well as the most costly. With each unit requiring some 300,000 skilled man-hours to complete, the King Tiger went into serial production in December 1943 at the Henschel factory in Kassel. At the peak of production it took only 14 days to complete, and by the end of the war 492 examples were ultimately produced of the 1500 units ordered due to the intense Allied bombing campaign.

With frontal armor reaching up to 150mm thick and side armor 80mm thick, this nearly 70 ton tank was built around the famous dual-purpose semi-automatic 88mm canon firing armor-piercing or high explosive rounds, the KwK 43 (L71) produced by Krupp, with the T.Z.F.9b/1 binocular gun sight (later followed by the monocular T.Z.F.9d) built into the cradle. This set-up allowed the tank to engage virtually any enemy tank before it could come within firing range. The King Tiger with Porsche turret carried a maximum combat load of 80 rounds of internally stored ammunition. Additional armament came in the form of 3 Rheinmetall Maschinengewehr 34's with 5800 rounds; one mounted in a kugelblende on the right bow position; one mounted coaxially to the main gun; one mounted externally to the commander's cupola.

This massive tank was mobilized by a OLVAR EG40 12 16B mechanical transmission with 8 forward and 4 reverse gears powered by a 690hp Maybach HL230 P30 gasoline engine, with a top speed of 25.8 mph (41.5 km/h). The crew of 5 consisted of the tank commander, the loader, the gunner, the driver, and the radio operator. The only other variant of the King Tiger was the Hunting Tiger, or Jagdtiger. With the exception of the initial prototype, all King Tigers were coated with zimmerit until September 11, 1944.

The King Tiger dominated the battlefield in terms of capabilities, but often suffered from shortages of lubricants & fuels. These tanks proved themselves in battles ranging from Normandy, the Ardennes, Lake Balaton, and Berlin. Although they lived up to the expectations of the 'Wunderwaffe', the King Tigers were ineffective in stopping the overwhelming numbers of opponents they faced on the battlefield. Today there are a total of 11 King Tigers preserved around the world, with the rest having been long lost to the scrap yards.

This new King Tiger model kit represents the ultimate in dimensional accuracy for the first time through the unique feature of scale-thickness armor and a complete interior. For the first time in 1/35 scale we can appreciate the full experience inside this infamous tank, from the driver & radio operator in the fighting compartment to the loader, gunner, and commander in the turret, as well as the engine compartment complete with Maybach engine. Every detail inside & out was painstakingly measured from a surviving vehicle from s.SS Pz. Abt 501 abandoned by German troops in 1944 during the Battle of the Bulge, currently in storage at the U.S. Armor & Cavalry Museum at Ft. Benning, Georgia. In addition, the remaining variants of the King Tiger were carefully researched and are included in our collection as well.

103 102 2074S

READ BEFORE ASSEMBLY

CAUTION

- Read carefully and fully understand the instructions before commencing assembly. A supervising adult should also read the instructions if a child assembles the model.
- When assembling this kit, tools including knives used. Extra care should be taken to avoid personal injury.
- Keep out of reach of small children. Children must not be allowed to suck any part, or pull vinyl bag over their heads.



Optional



Instant Glue
for Metal



Apply Decal



Fill Holes



Drill



Do Not Cement



Remove

PAINTS REQUIRED

Color info and profiles by Mig Jimenez



Rotbraun



Dark Tracks



Old Wood



New Wood



Schokobraun



Dark Rust



Gun Metal



Olivgrun
Opt.2



Dunkelgelb



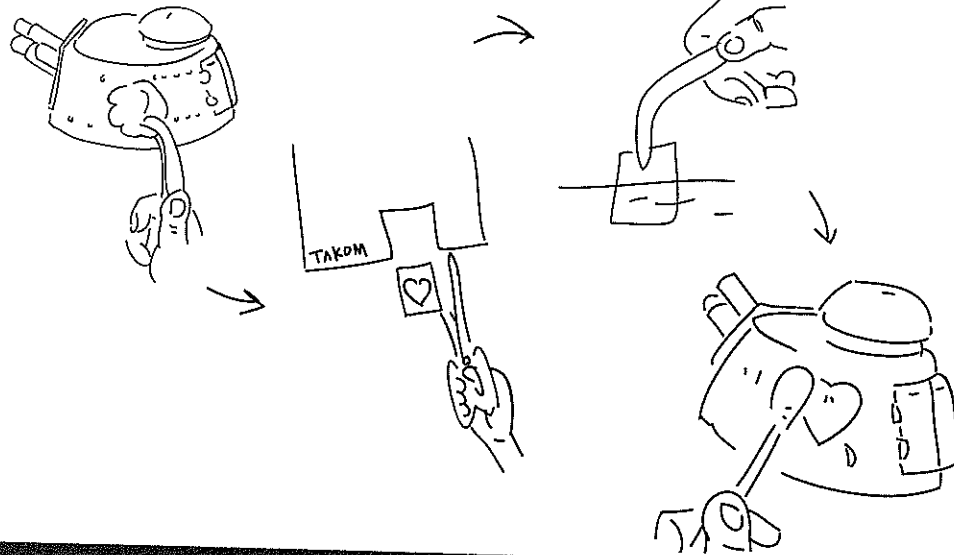
Washable
White Camo



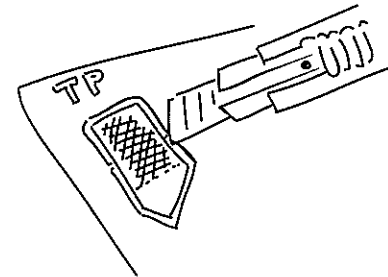
Old Rust

APPLYING DECALS

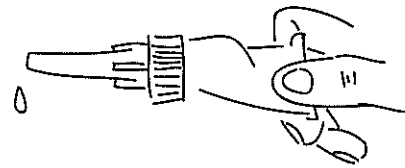
1. Clean the model surface with a wet cloth.
2. Cut out each decal design from sheet, and dip it in tepid water for 15-20 sec.
3. Hold the backing sheet edge and slide decal onto the model.
4. Move decal into position by wetting decal with finger.
5. Press decal gently down with a soft cloth until excess water and air bubbles are gone.



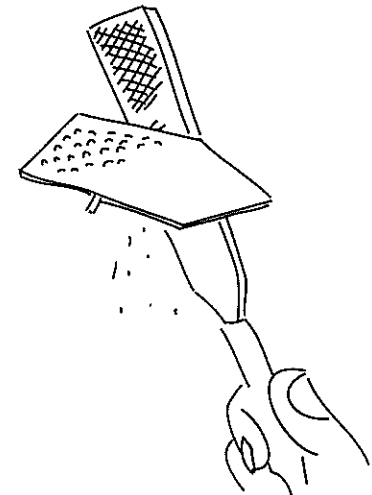
REMOVING PE



Be careful not to hurt when removing PE parts.

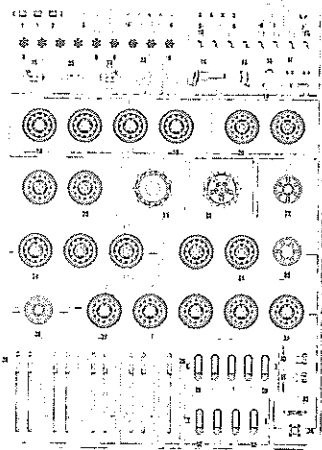


Secure using instant glue (not included).

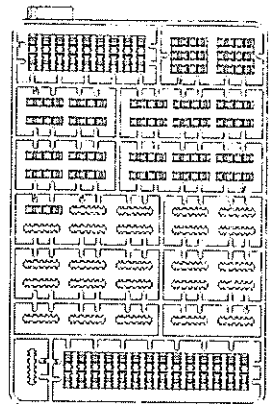
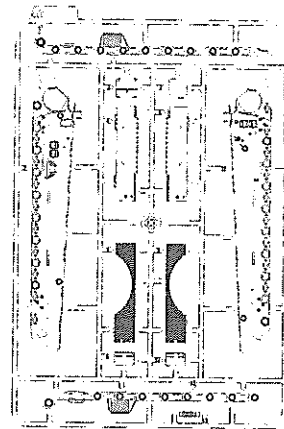
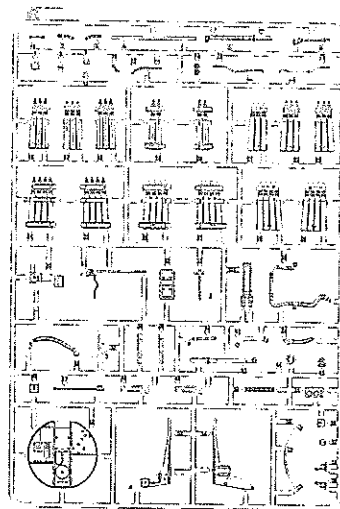
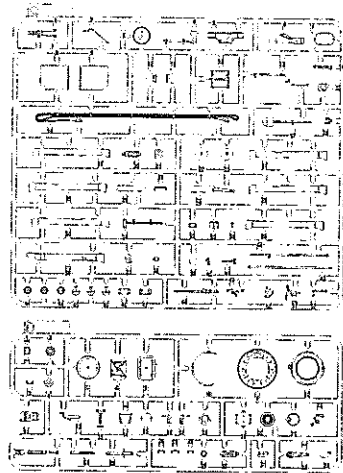
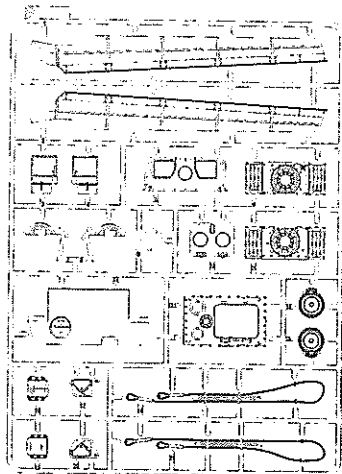


Finish using file.

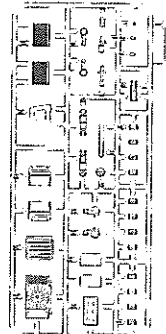
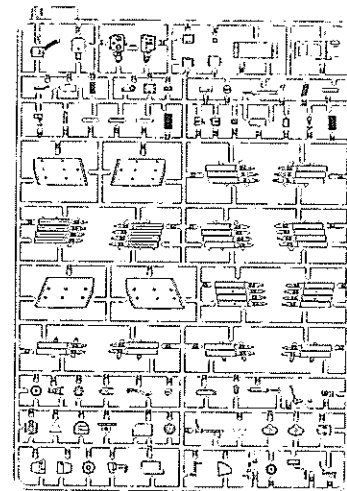
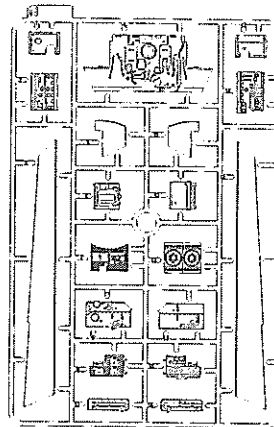
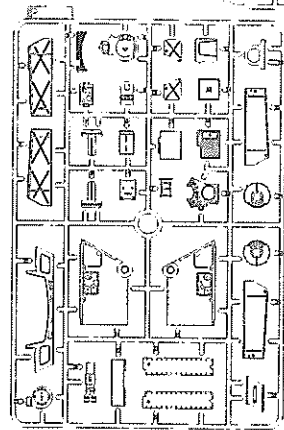
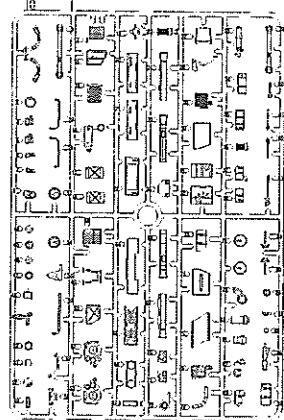
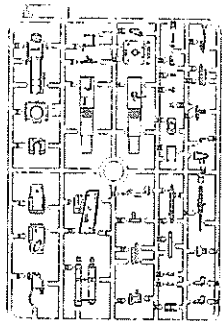
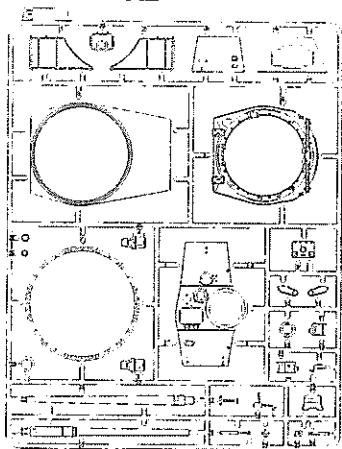
PARTS



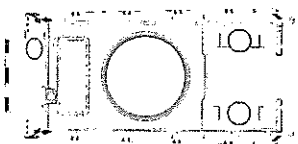
X2



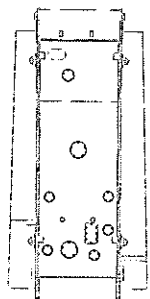
X2



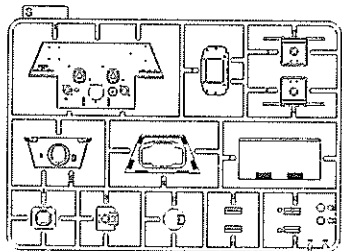
X2



Upper Hull



Lower Hull



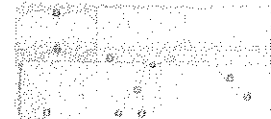
Z1



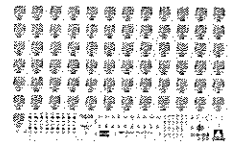
Z2



Turret



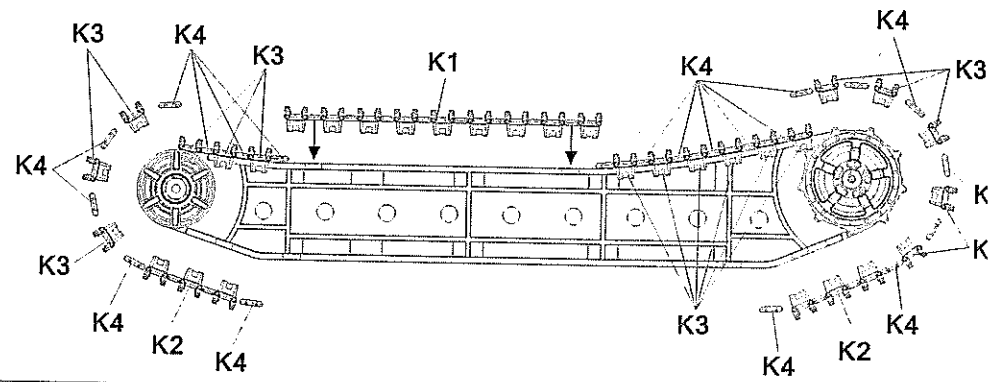
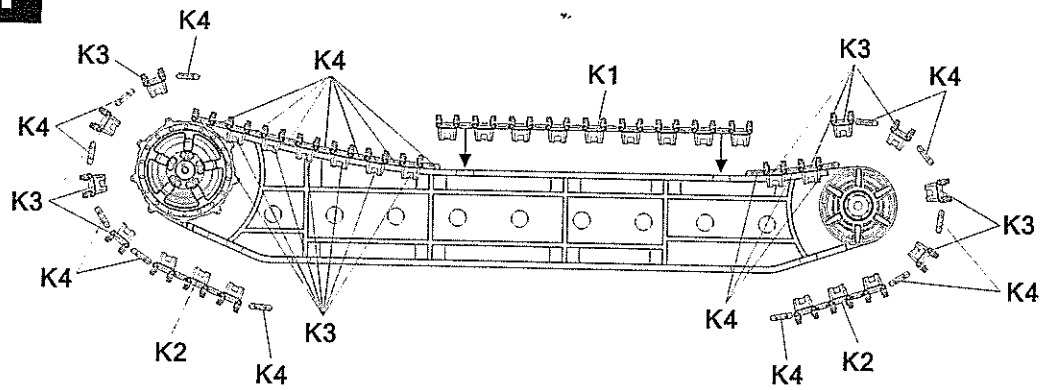
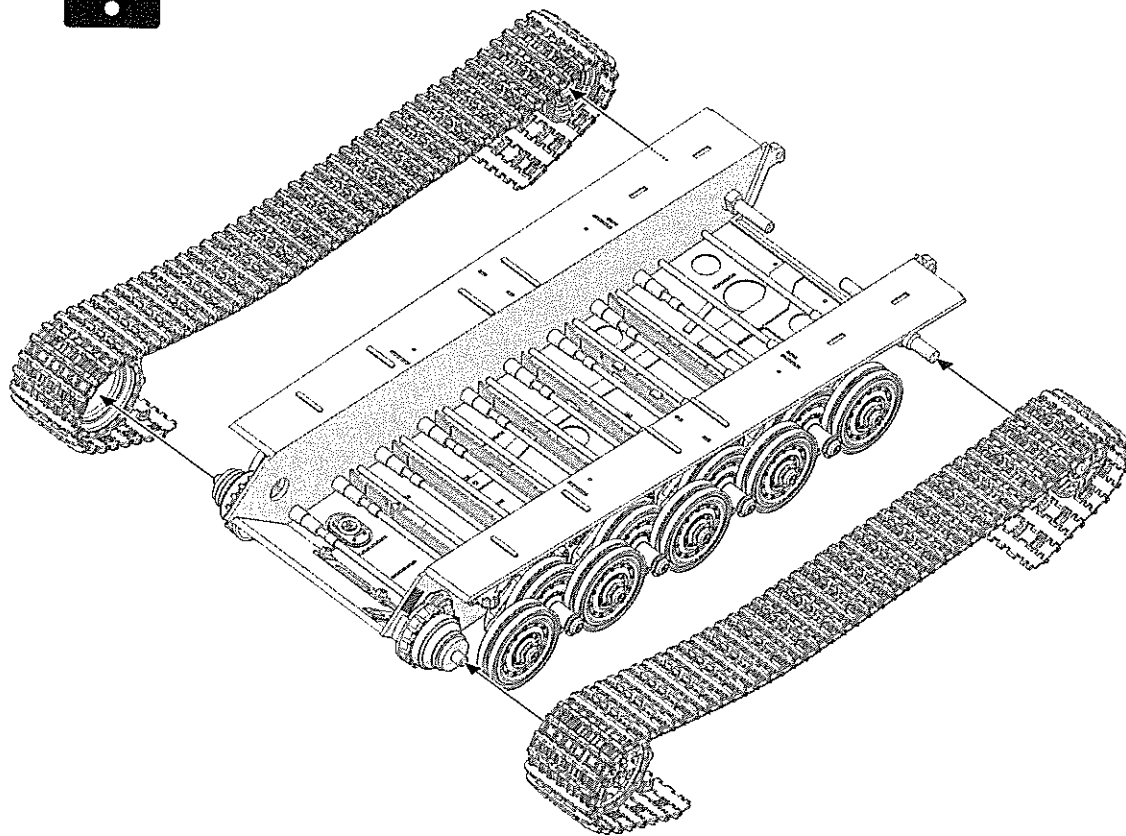
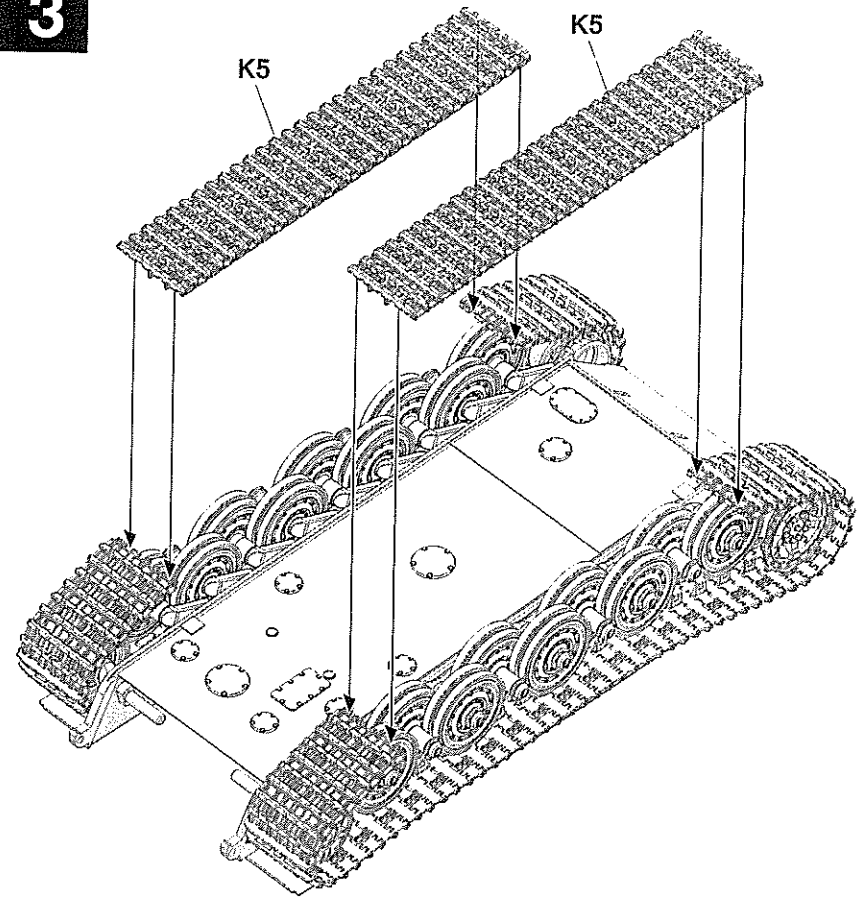
TP



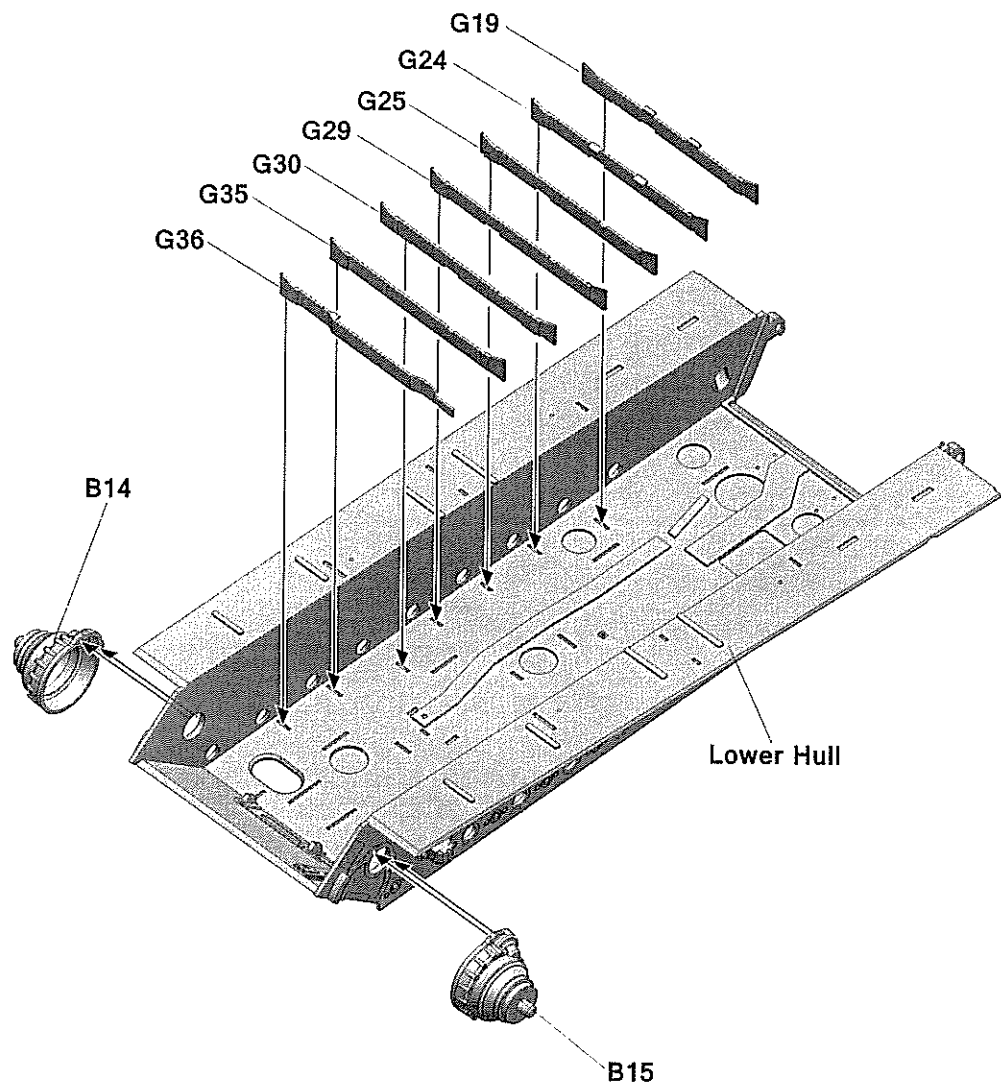
++ 1+011+01
211 211 324 324

114 114 105 105

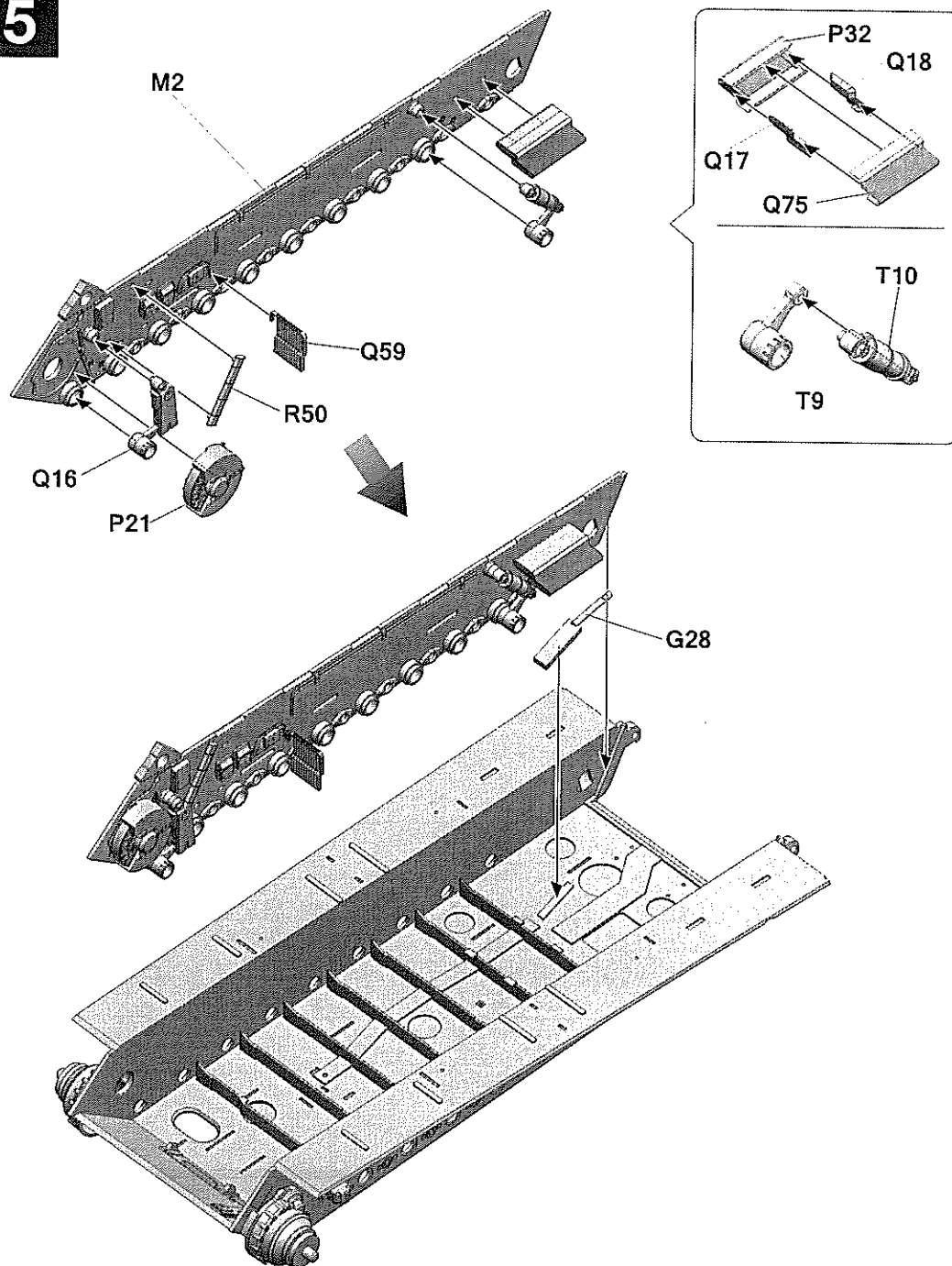
Decal

1**2****3**

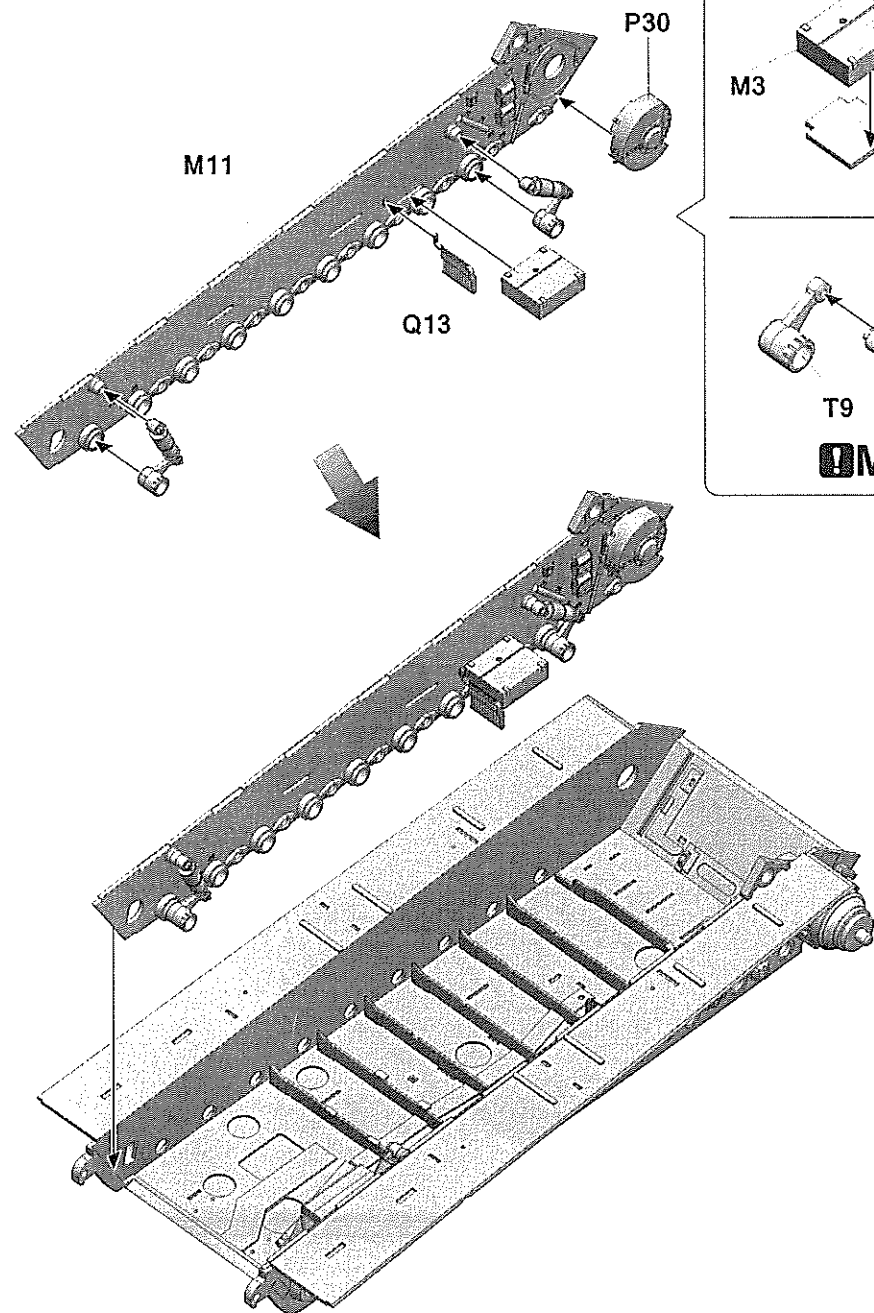
4



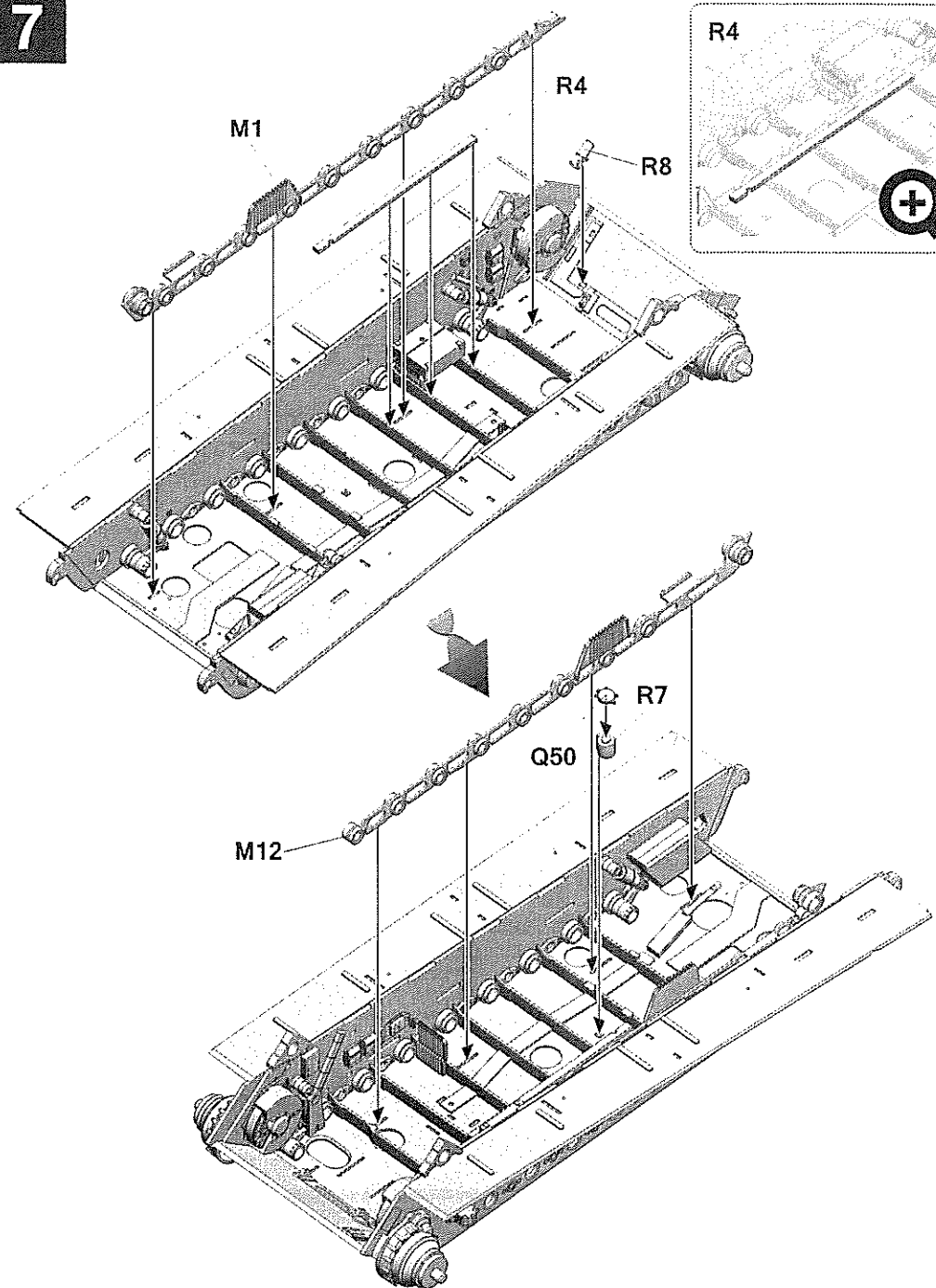
5



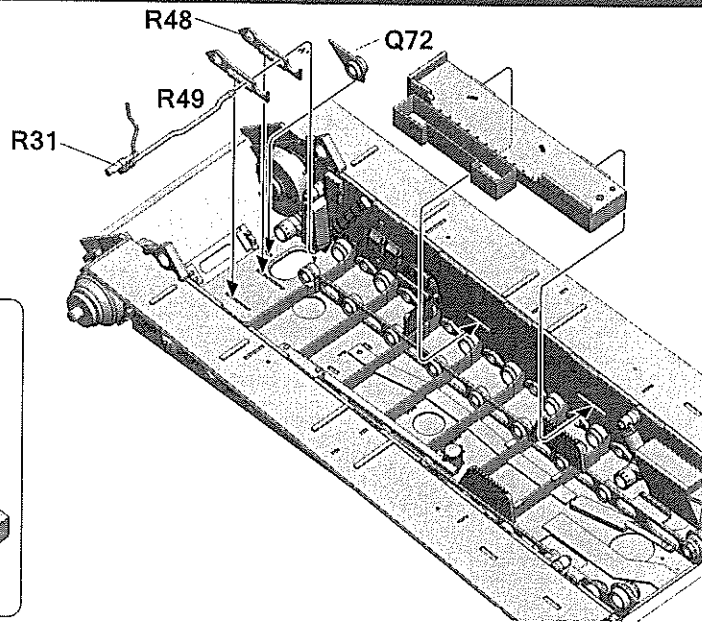
6



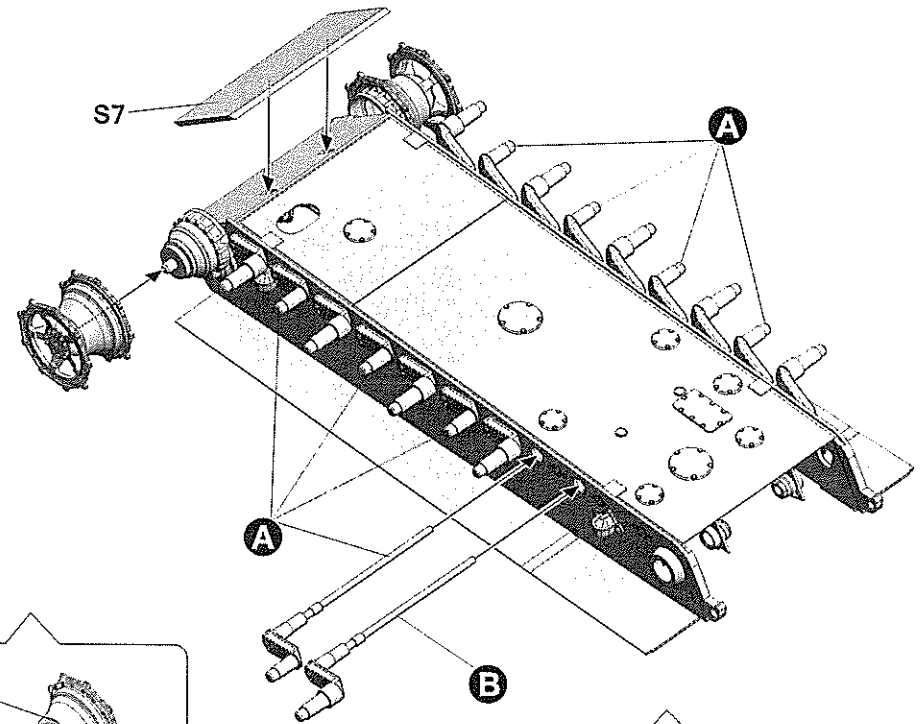
7



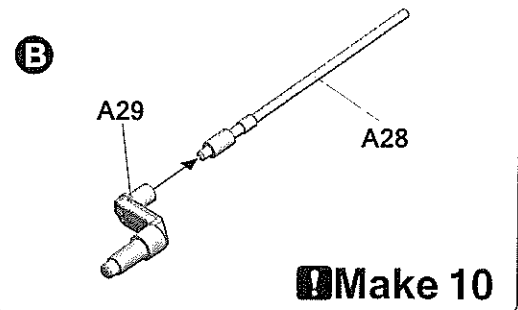
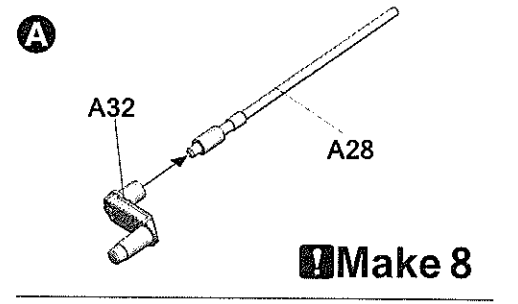
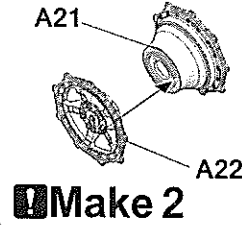
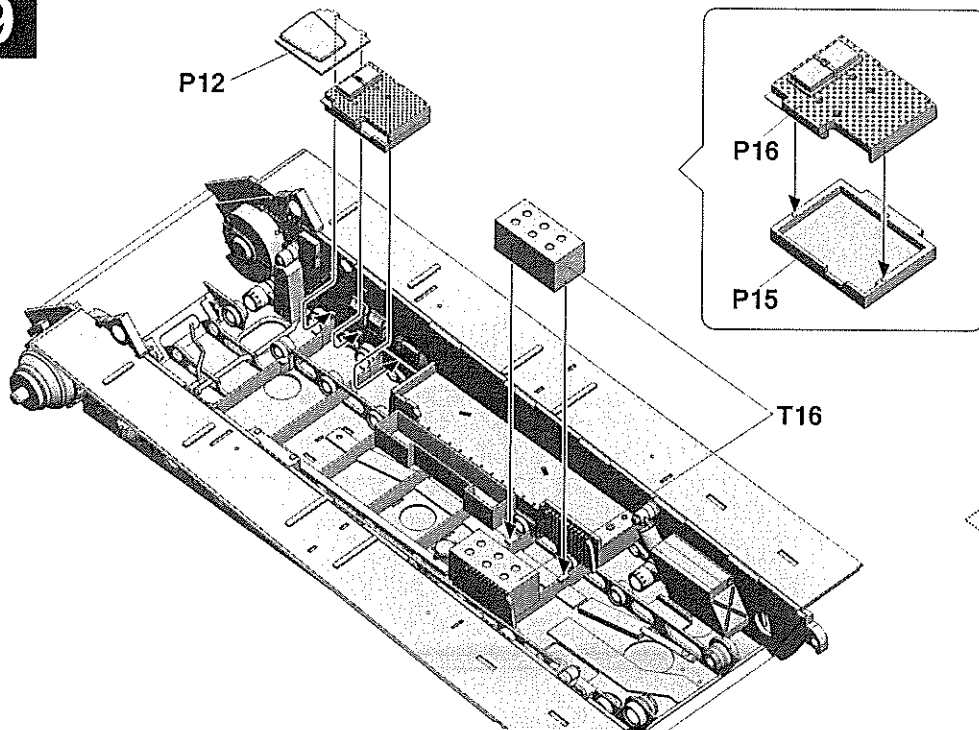
8



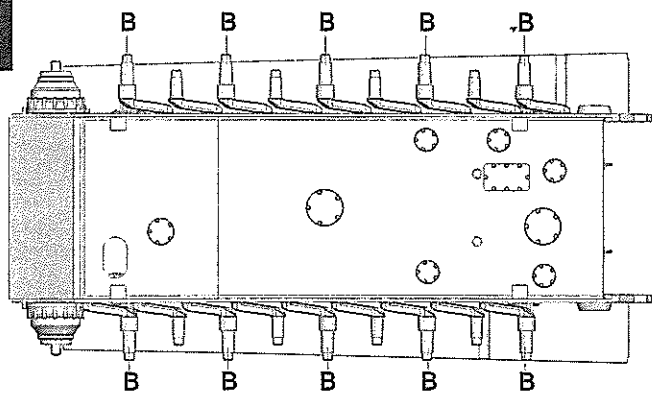
10



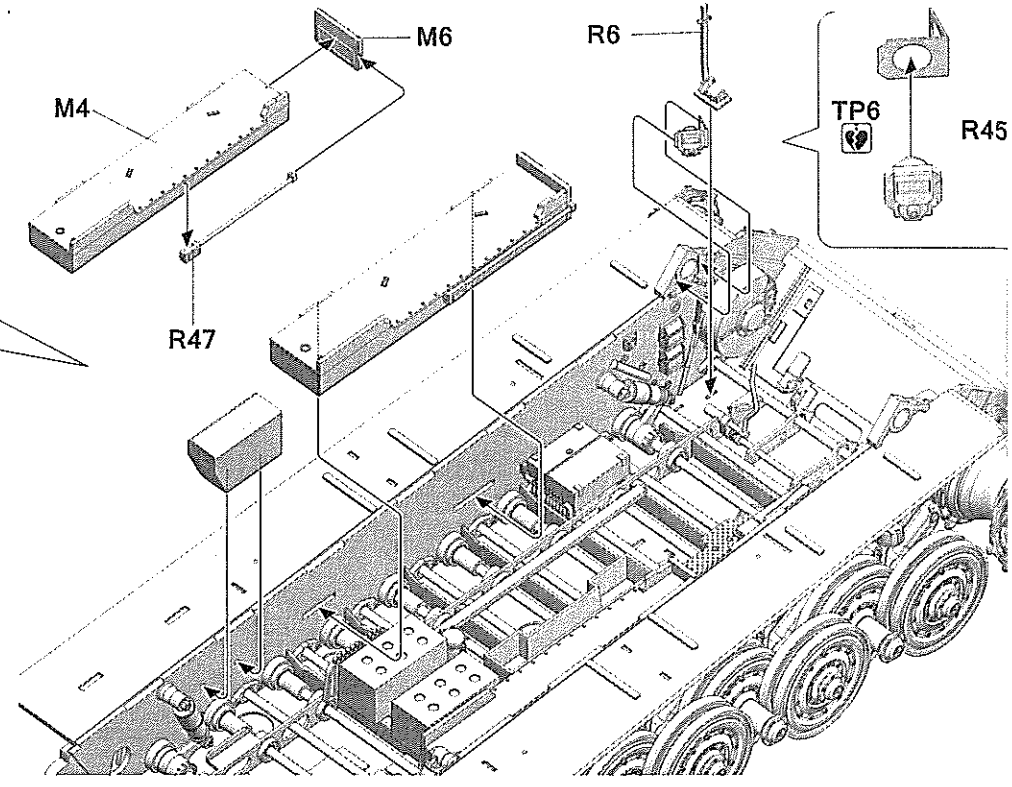
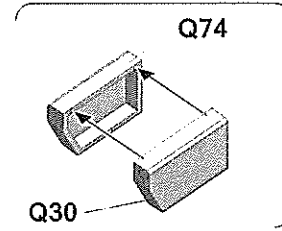
9



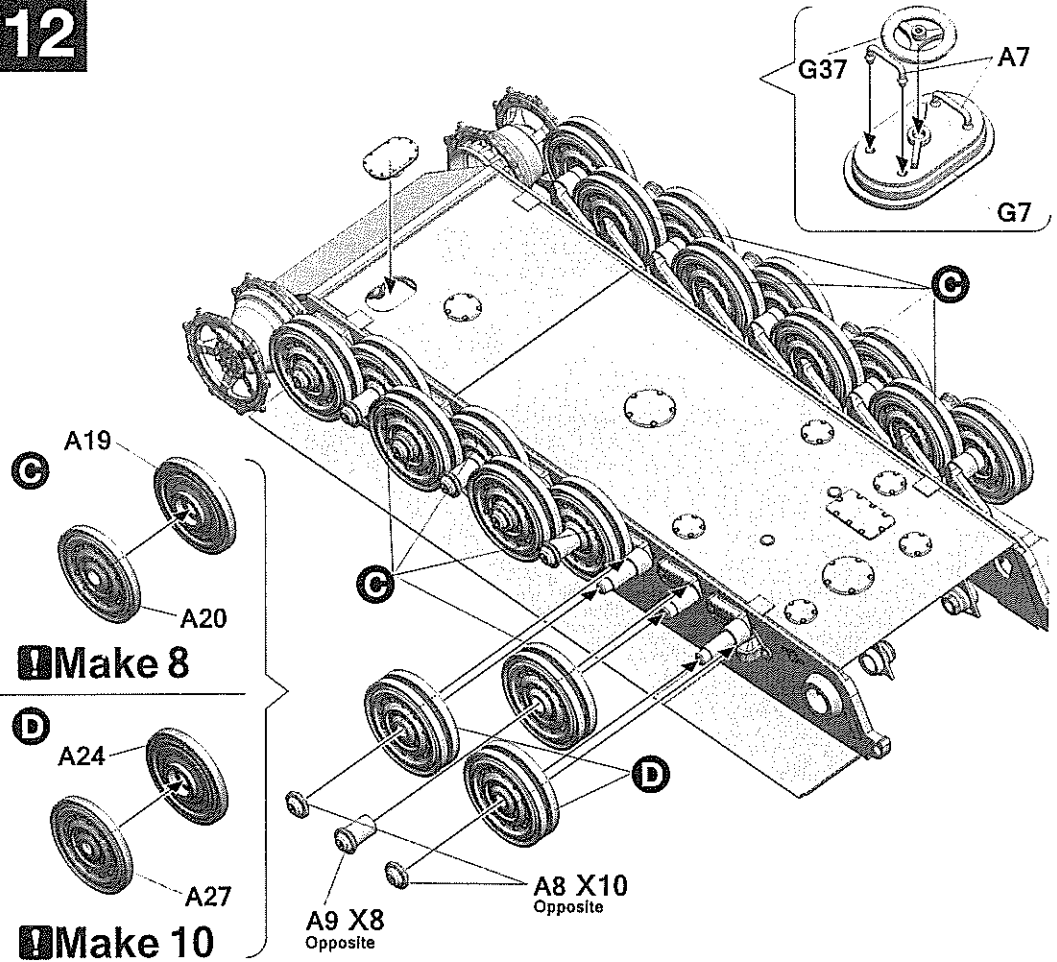
11



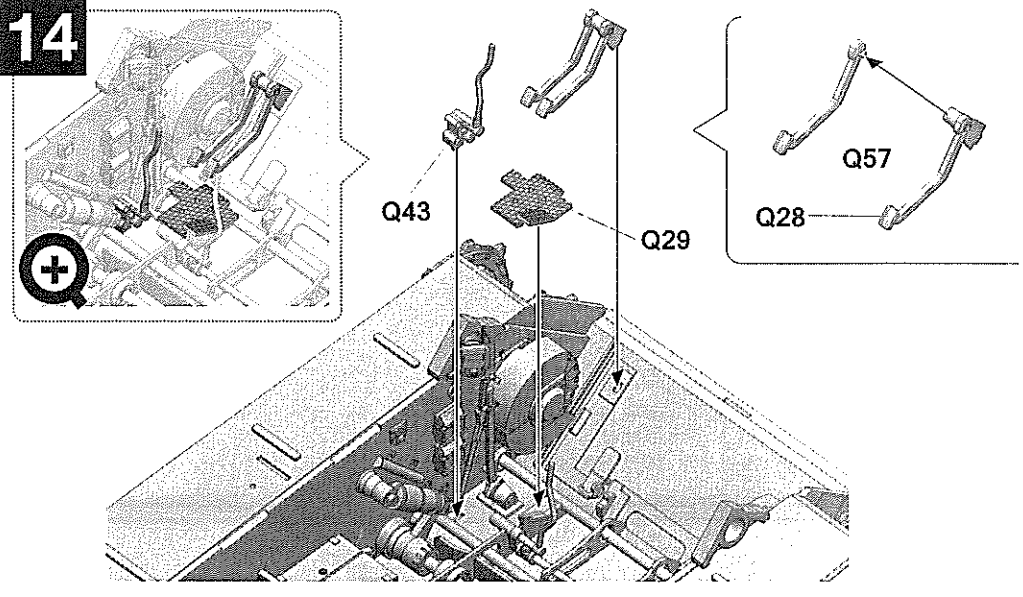
13



12



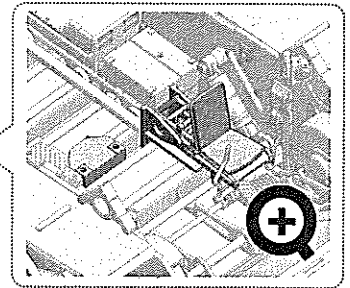
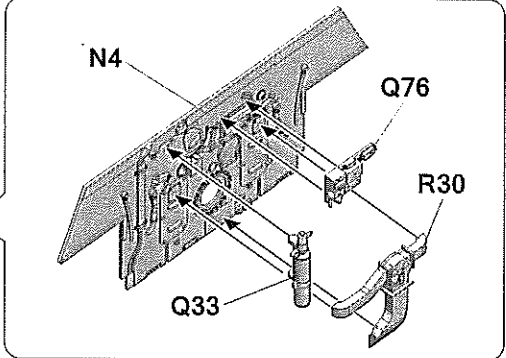
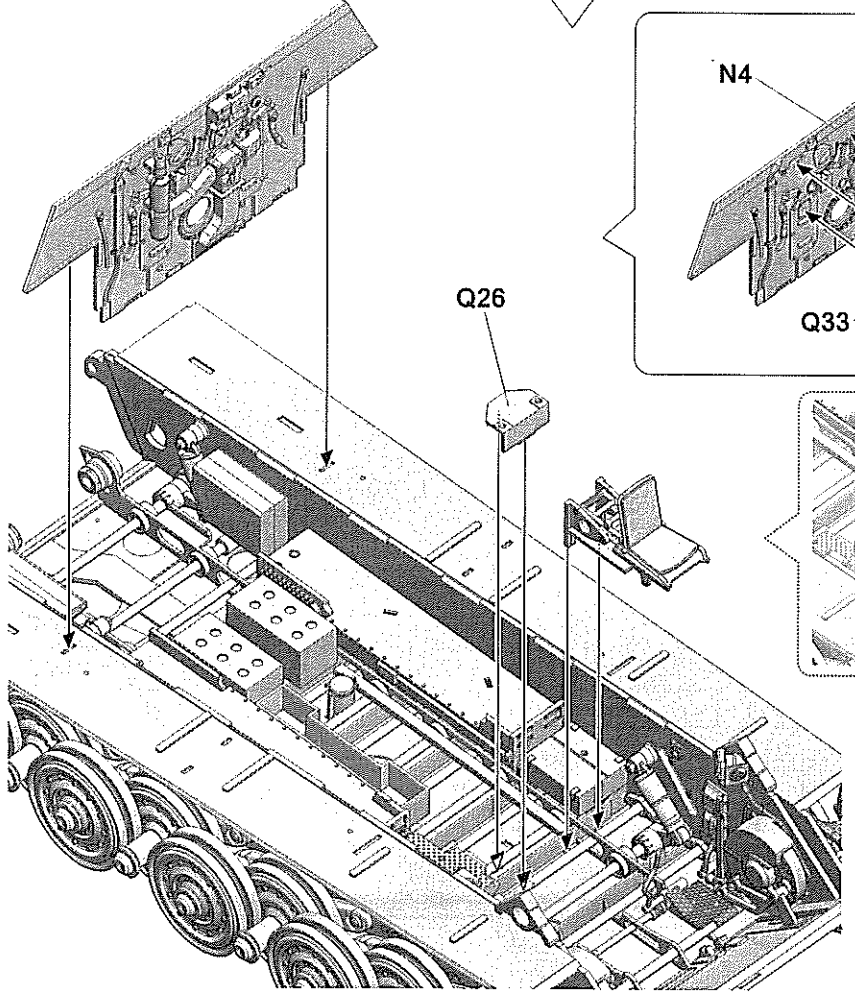
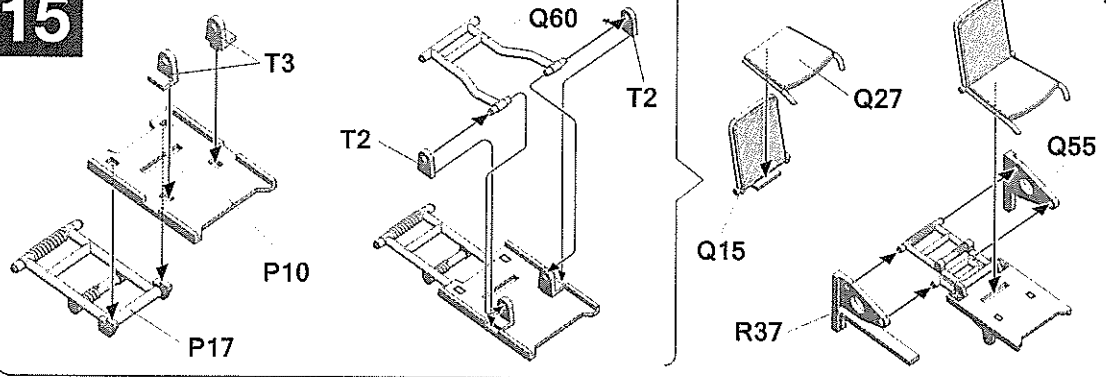
14



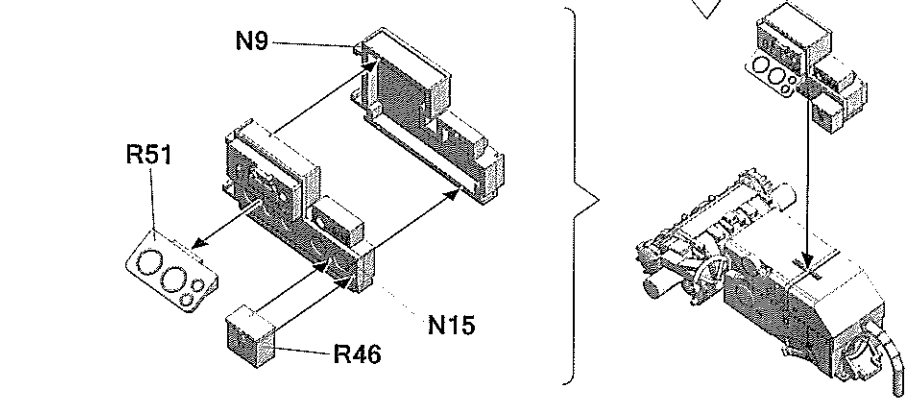
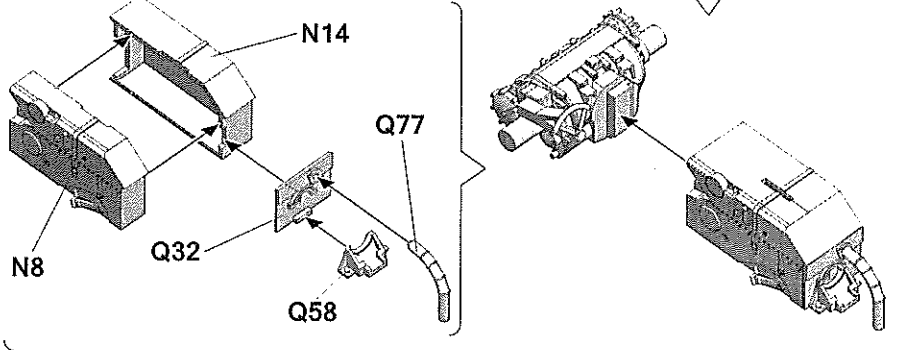
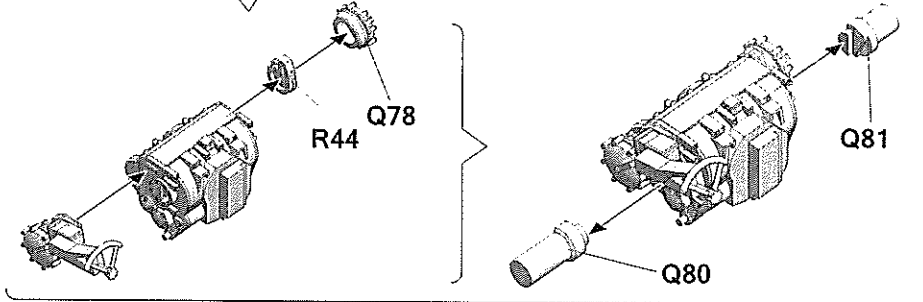
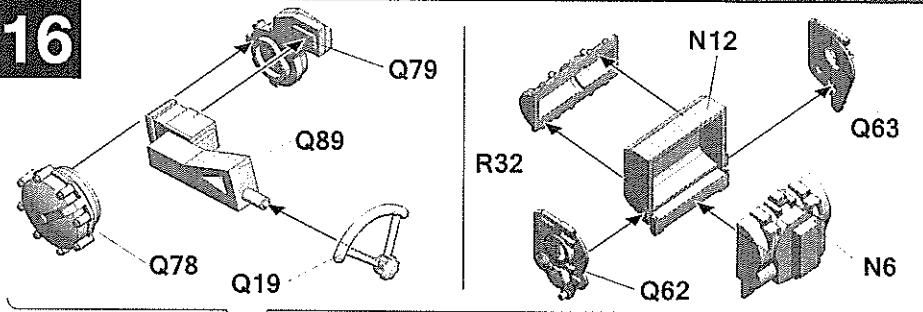
Make 8

Make 10

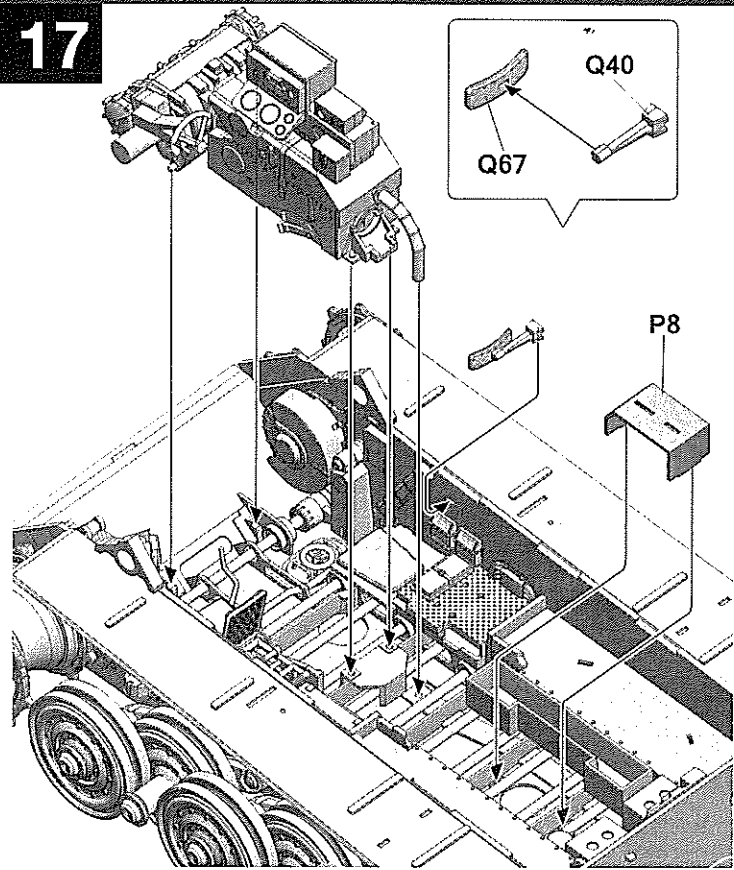
15



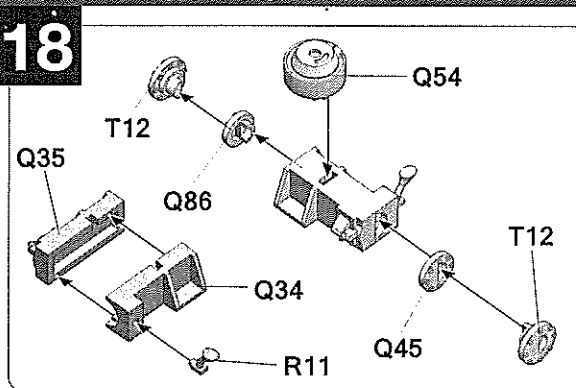
16



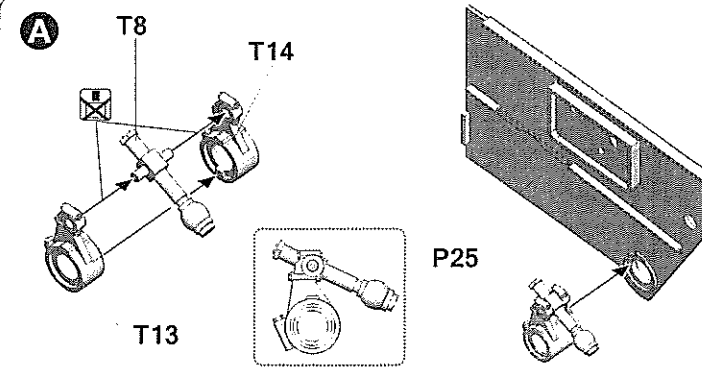
17



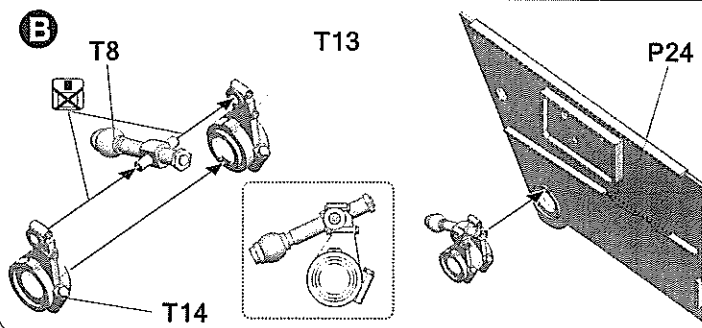
18



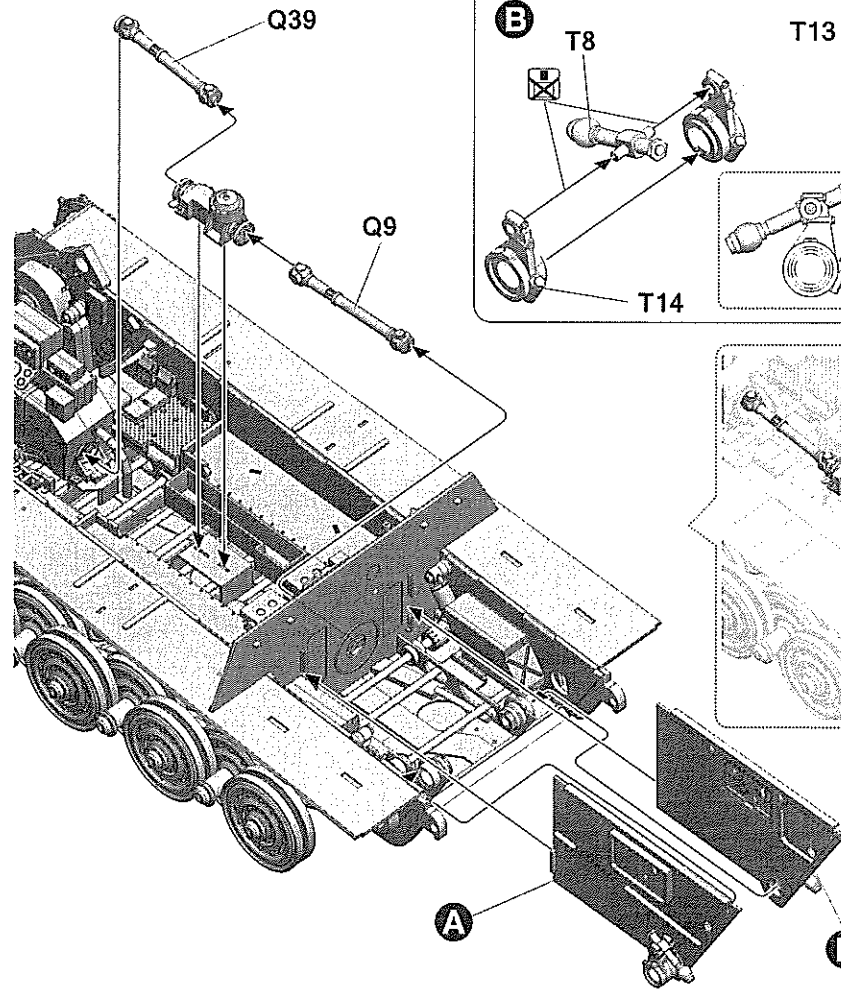
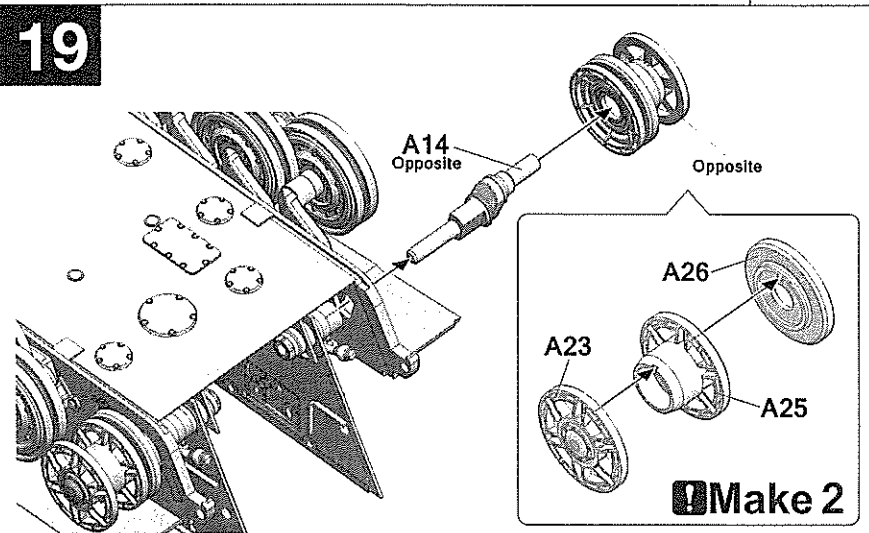
A



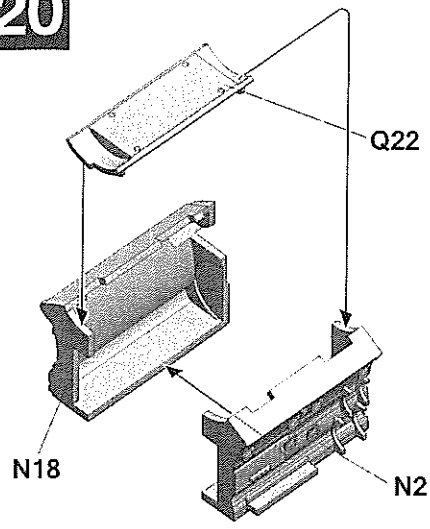
B



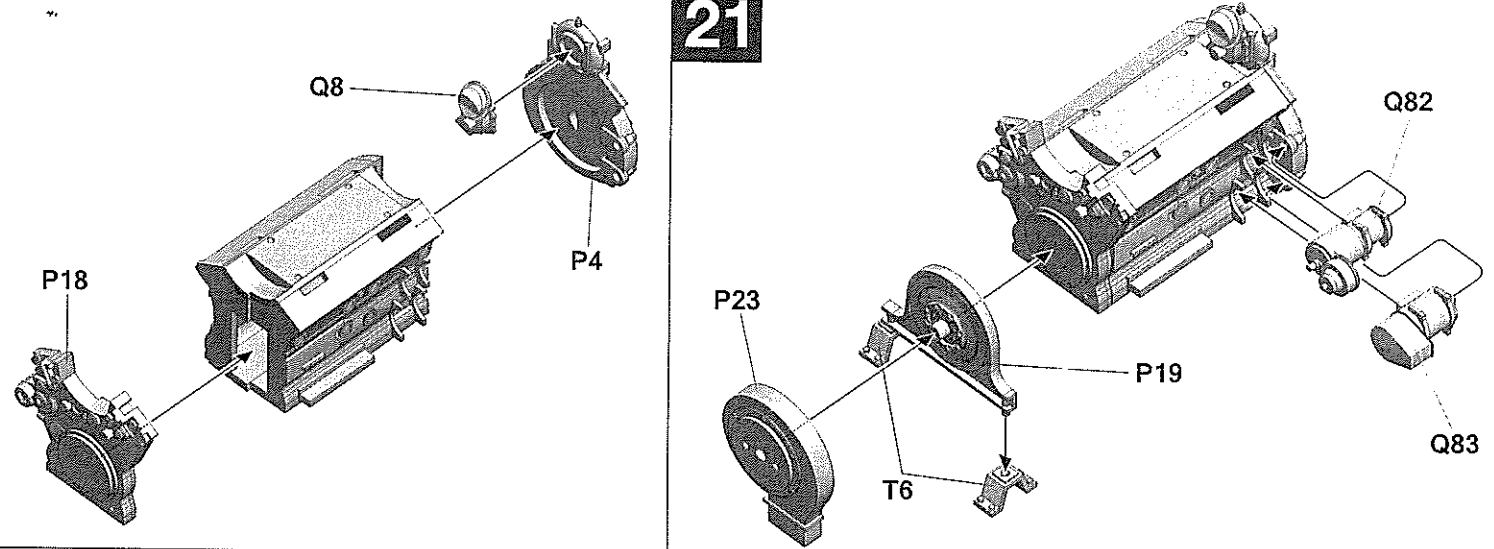
19



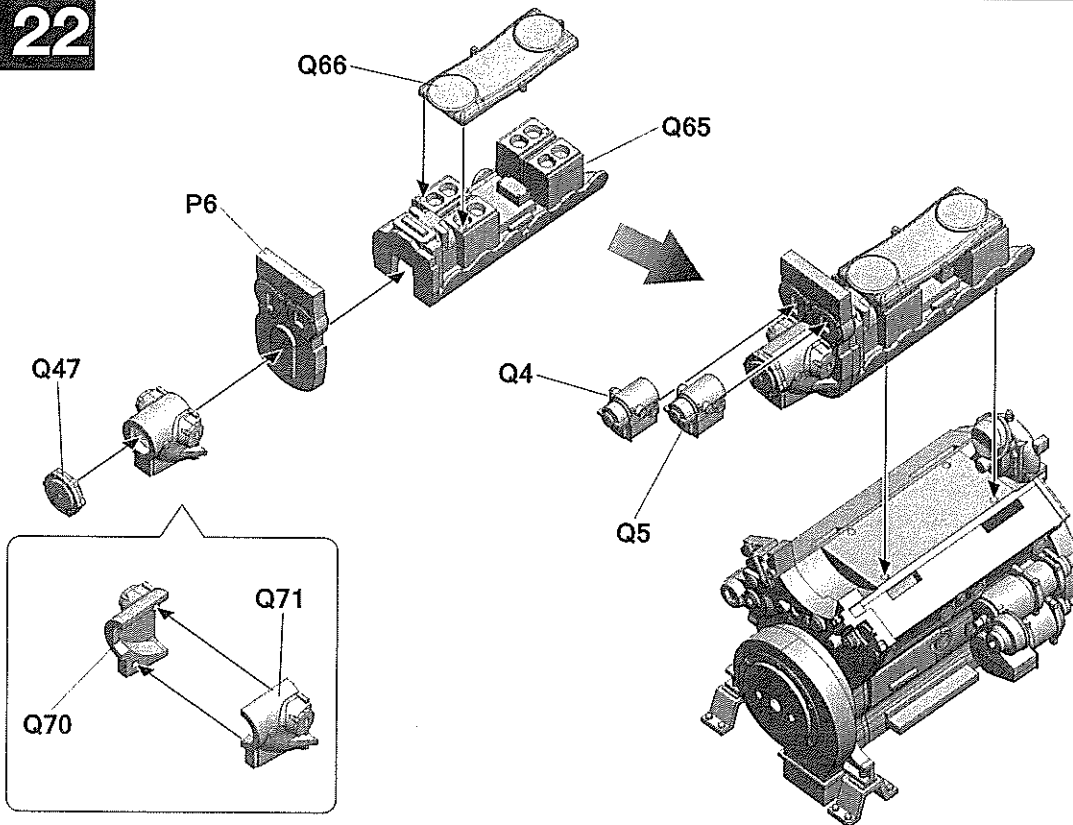
20



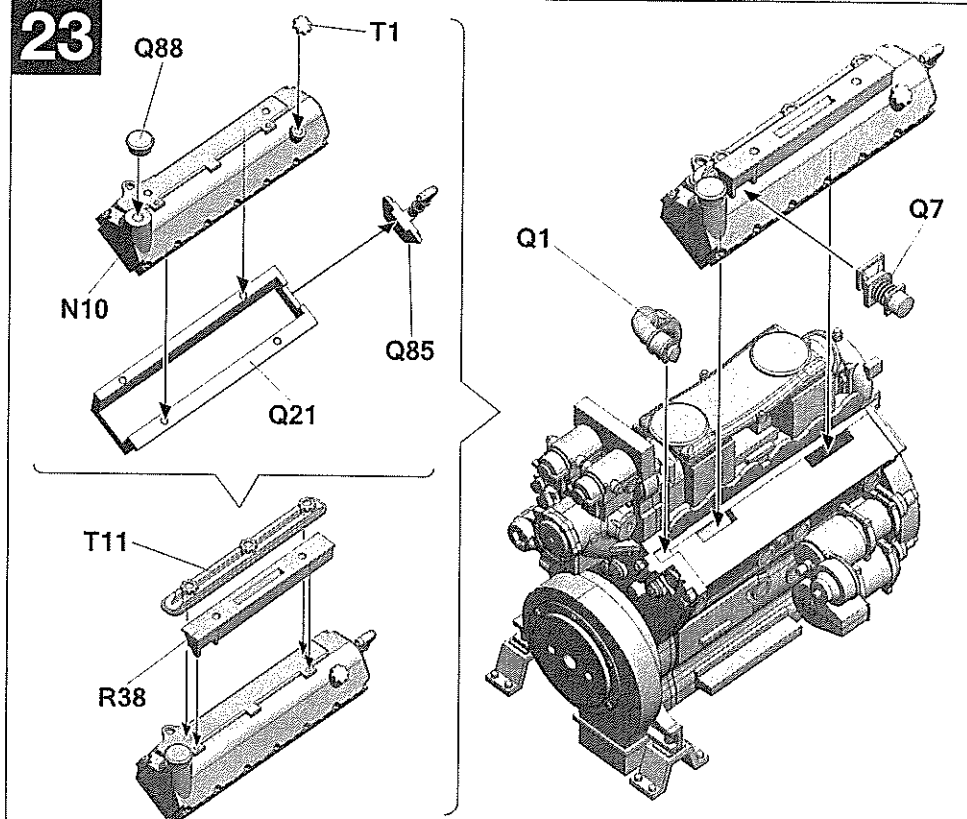
21



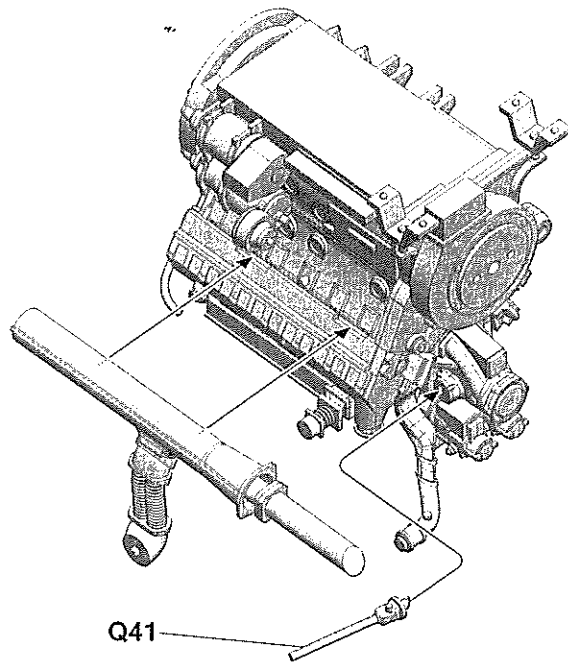
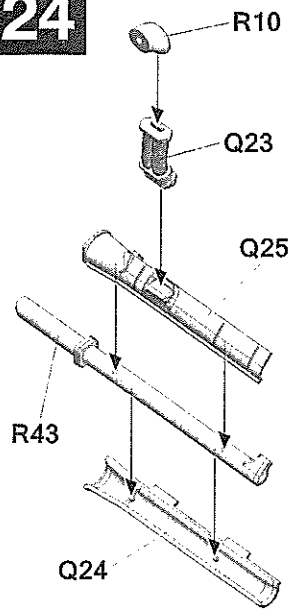
22



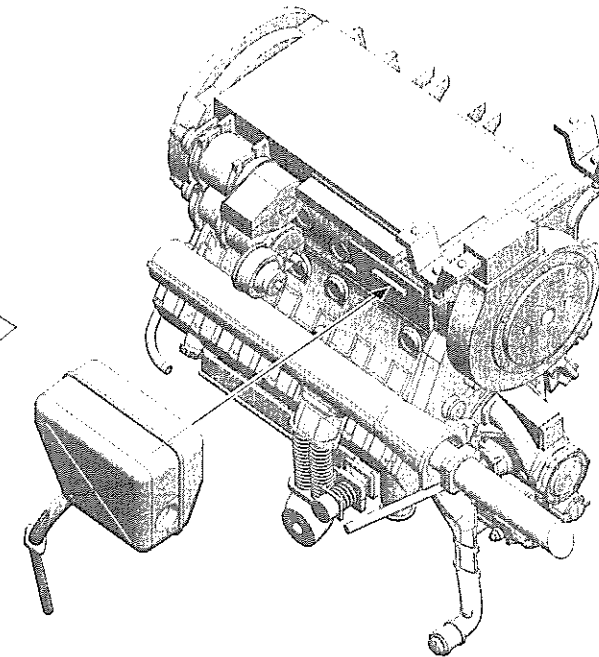
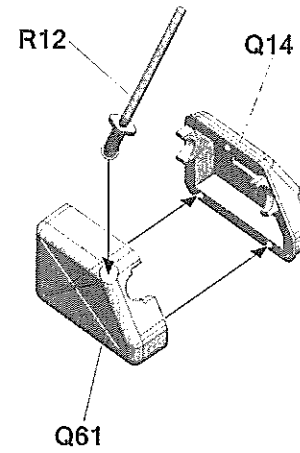
23



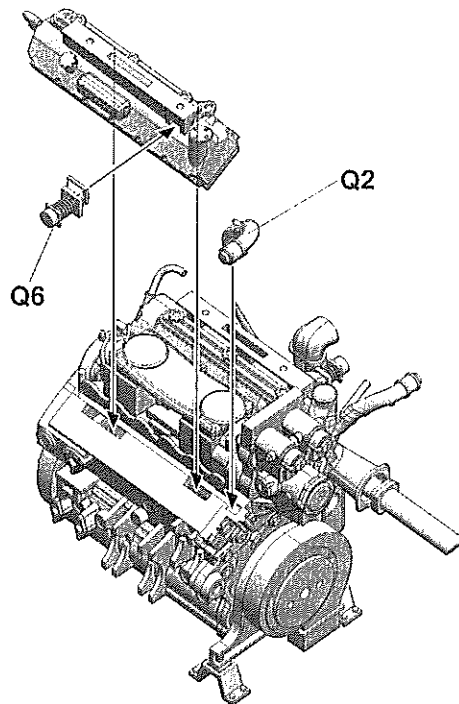
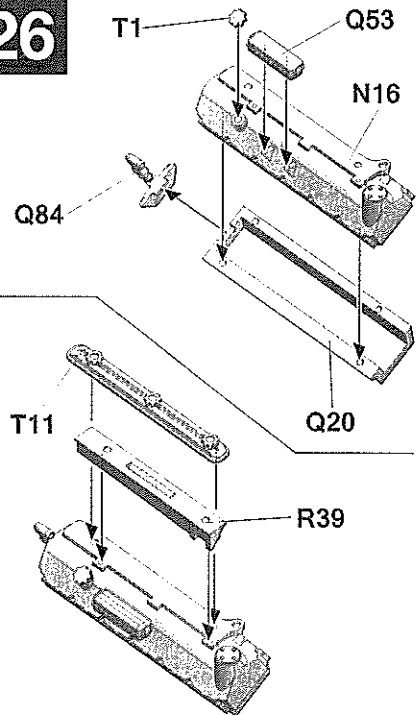
24



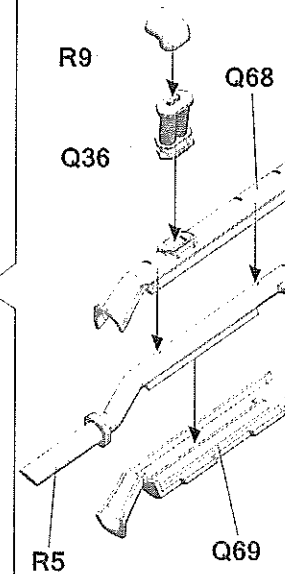
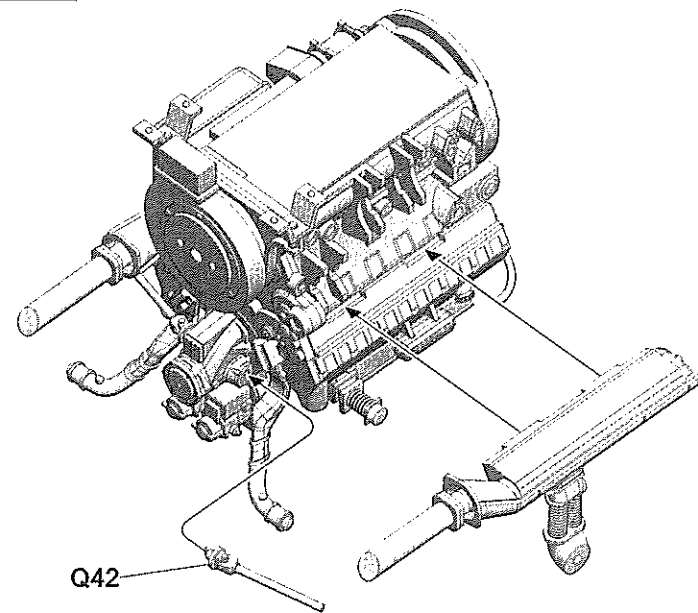
25

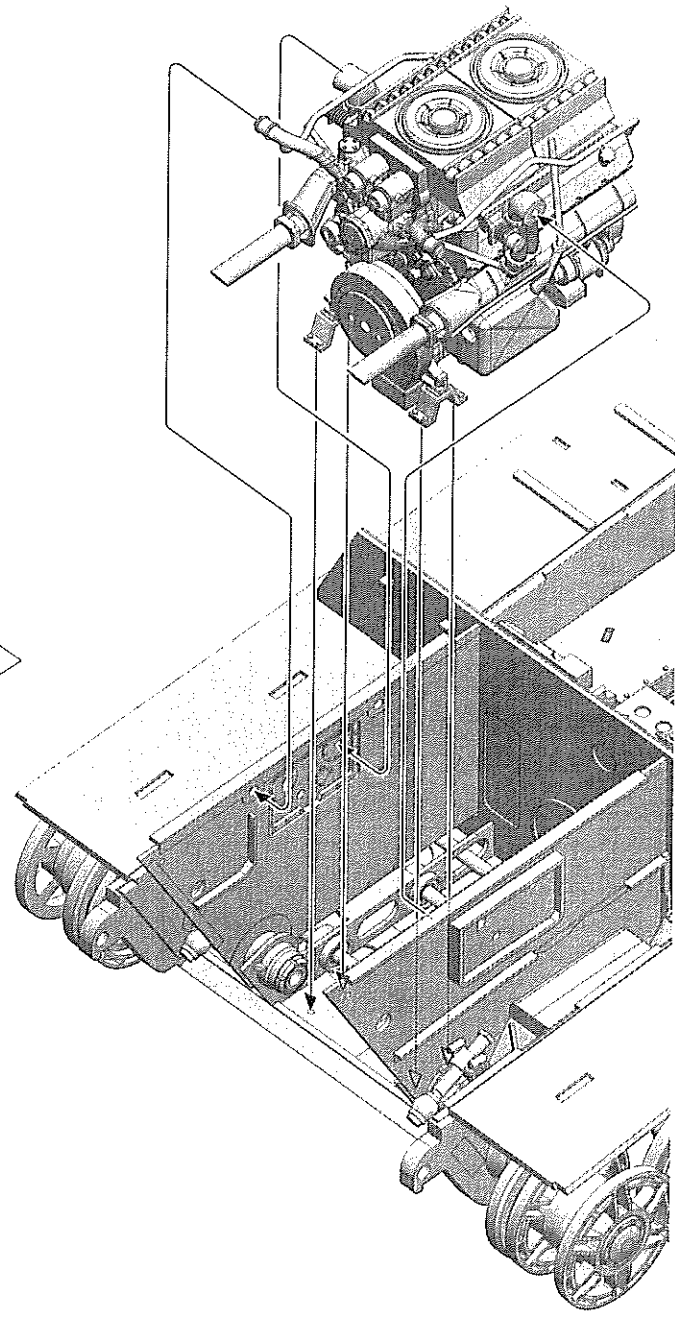
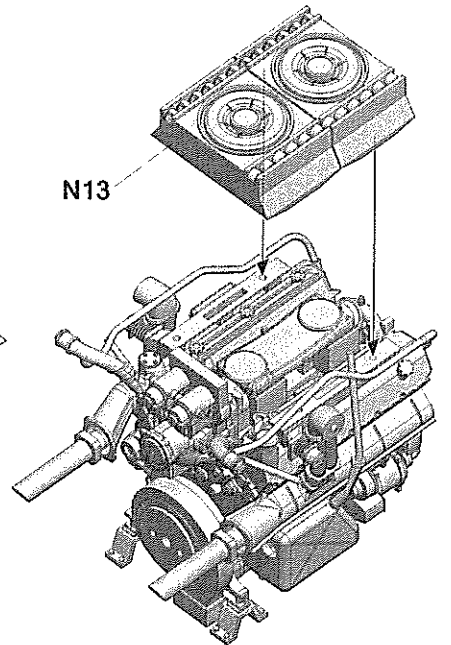
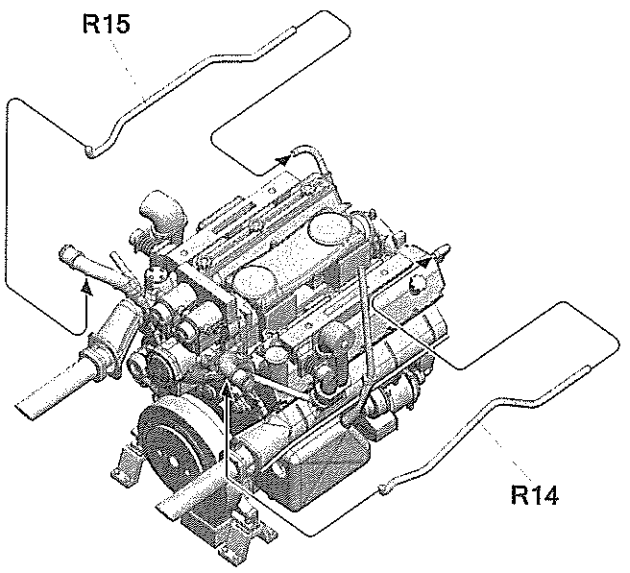
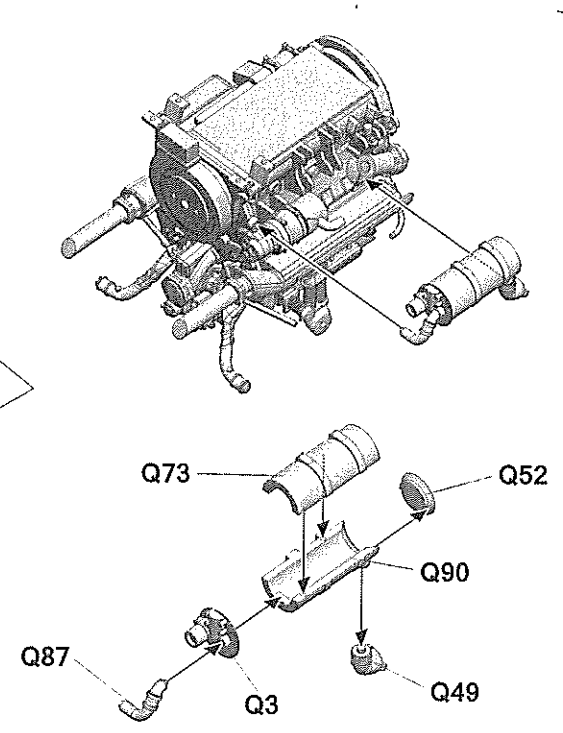
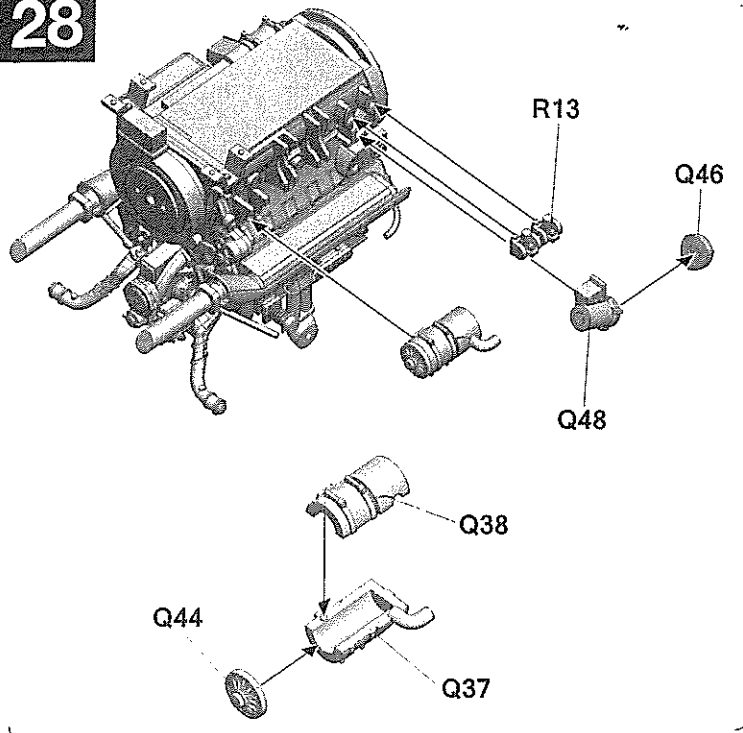


26

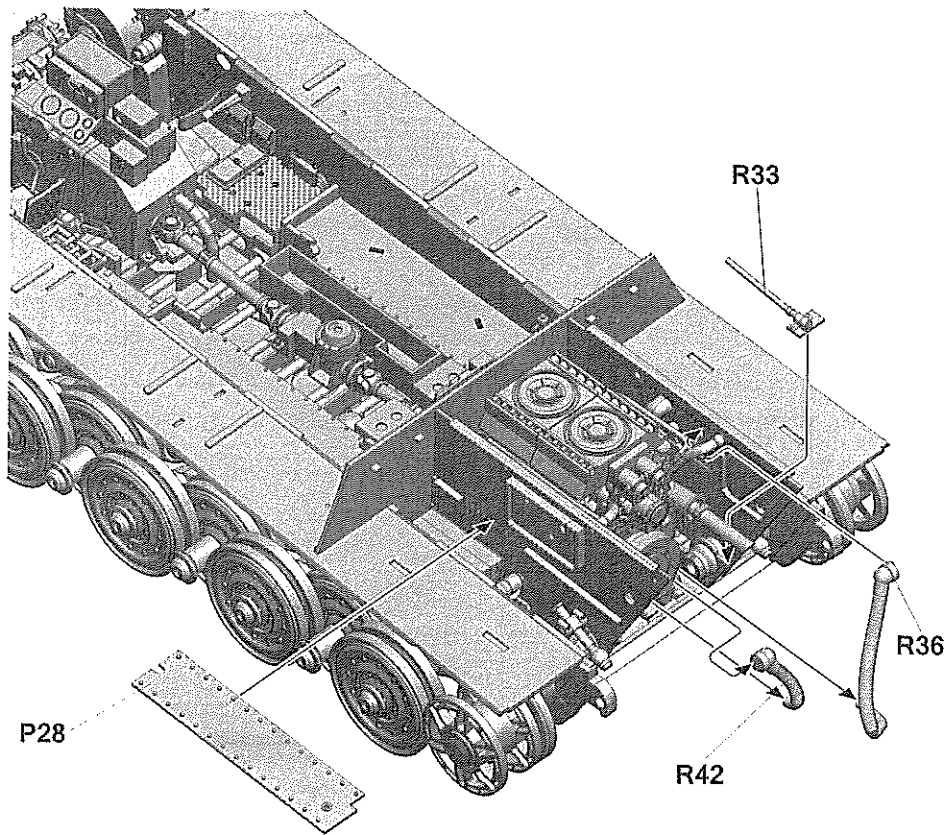
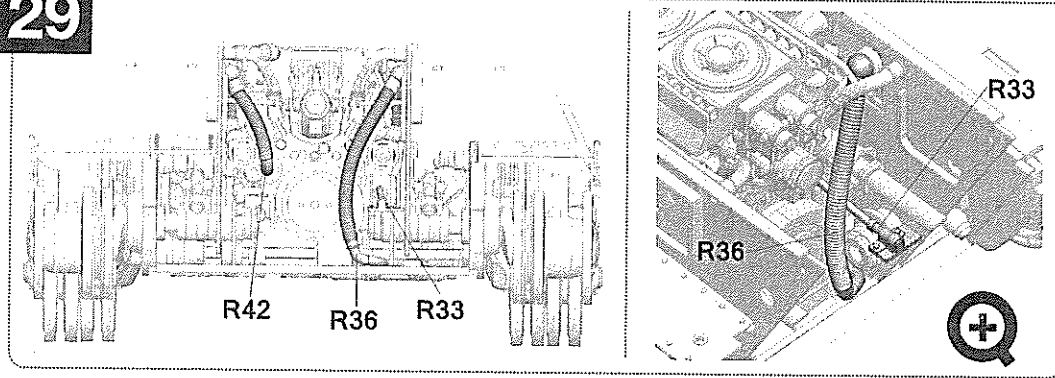


27

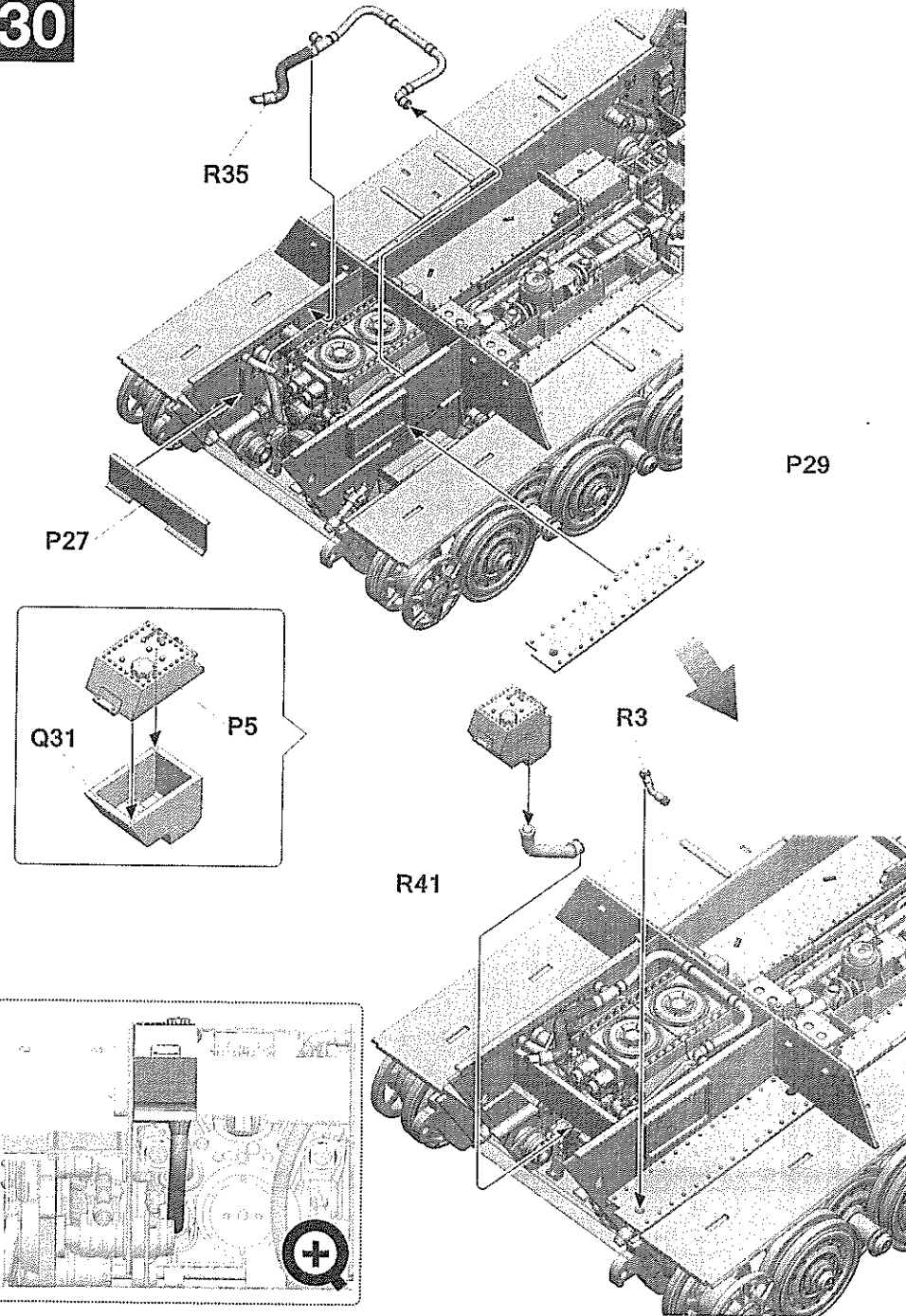




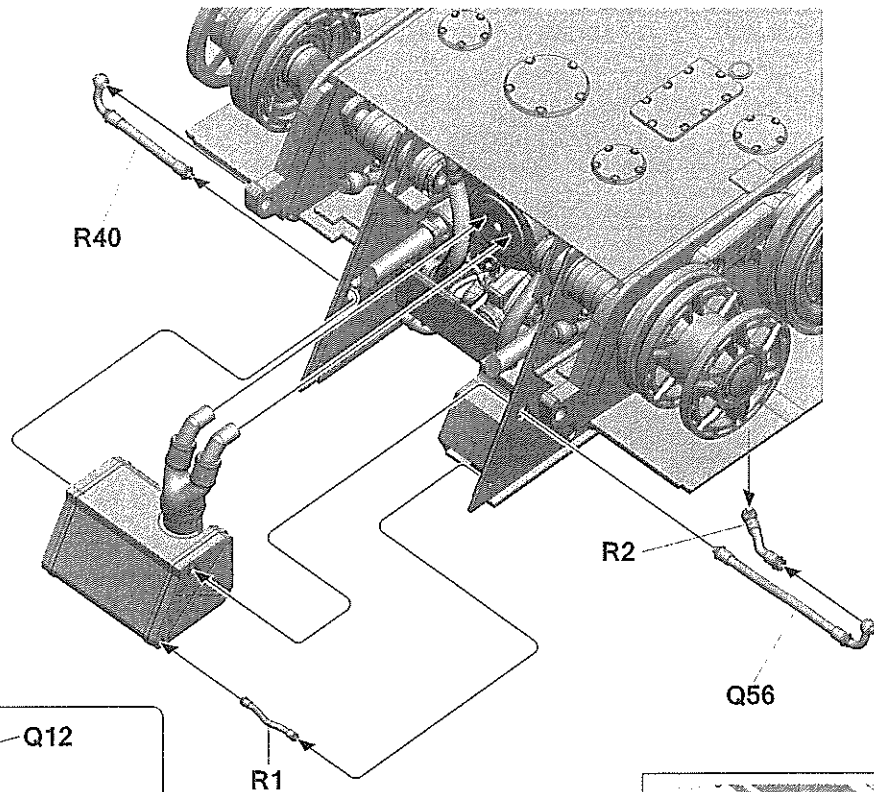
29



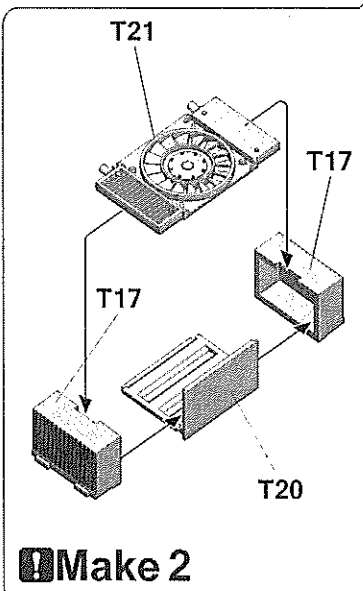
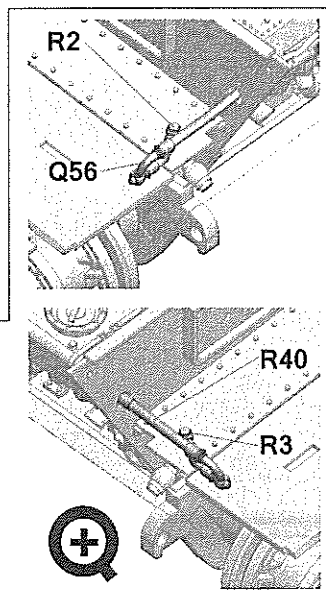
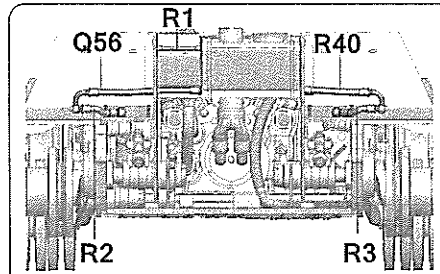
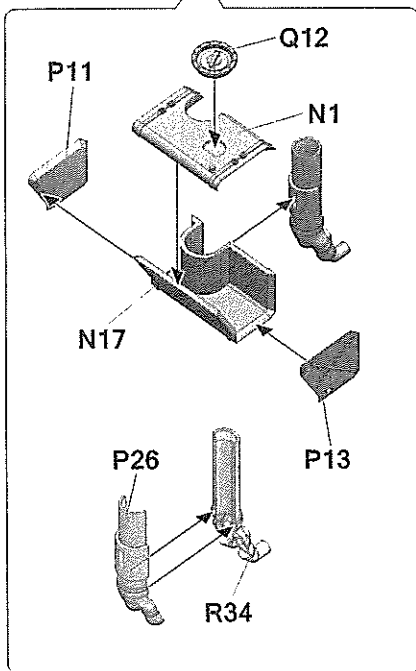
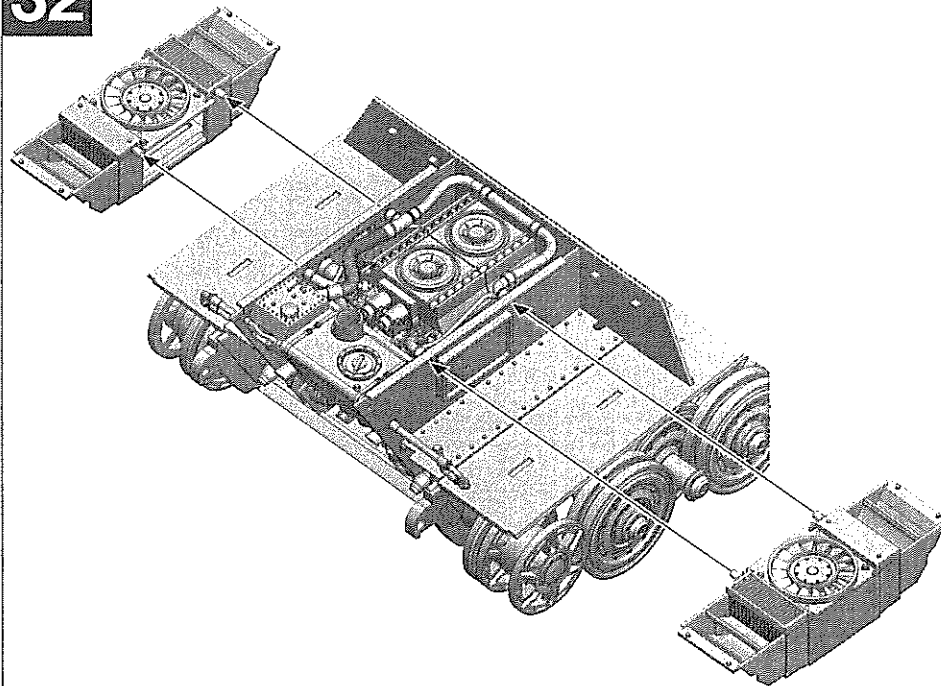
30



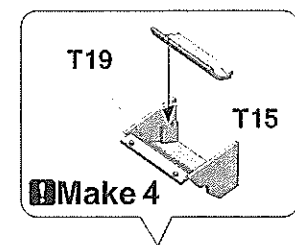
31



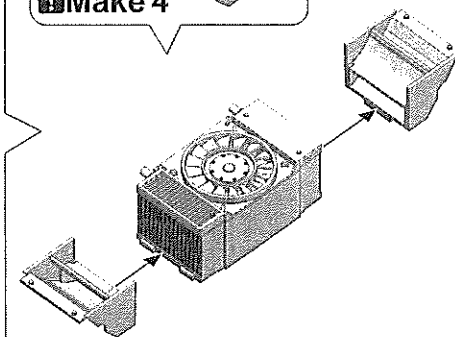
32



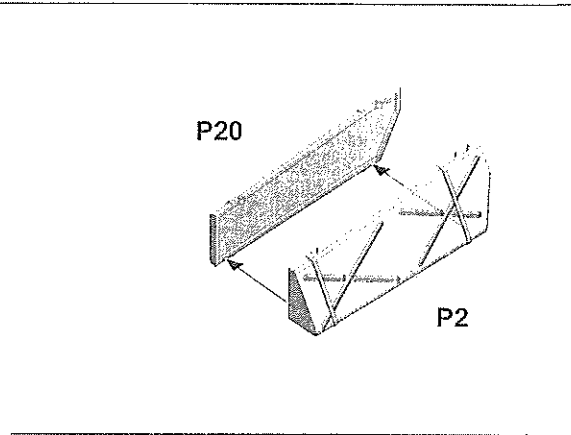
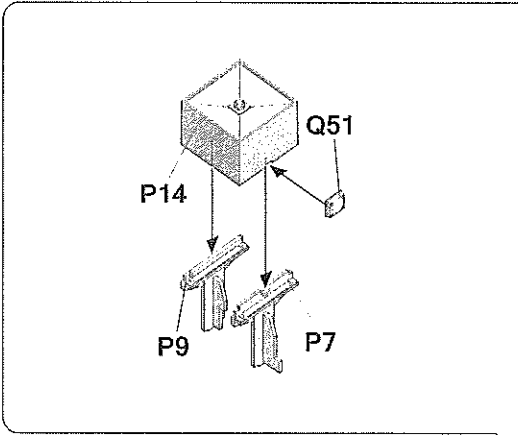
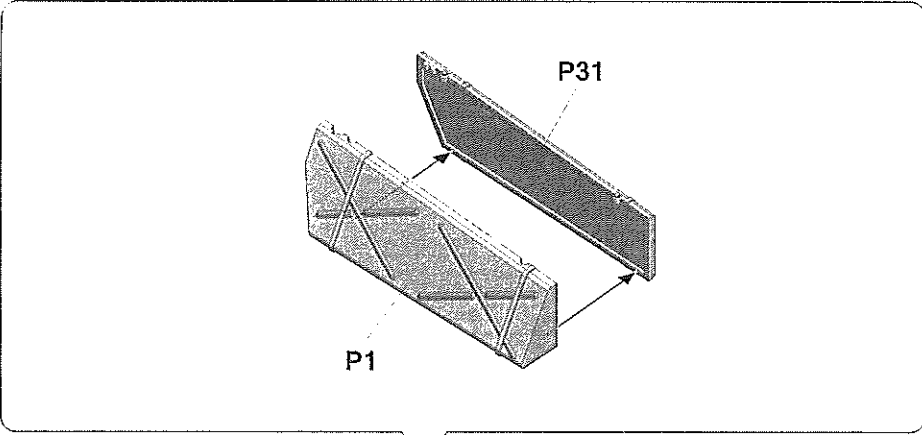
Make 2



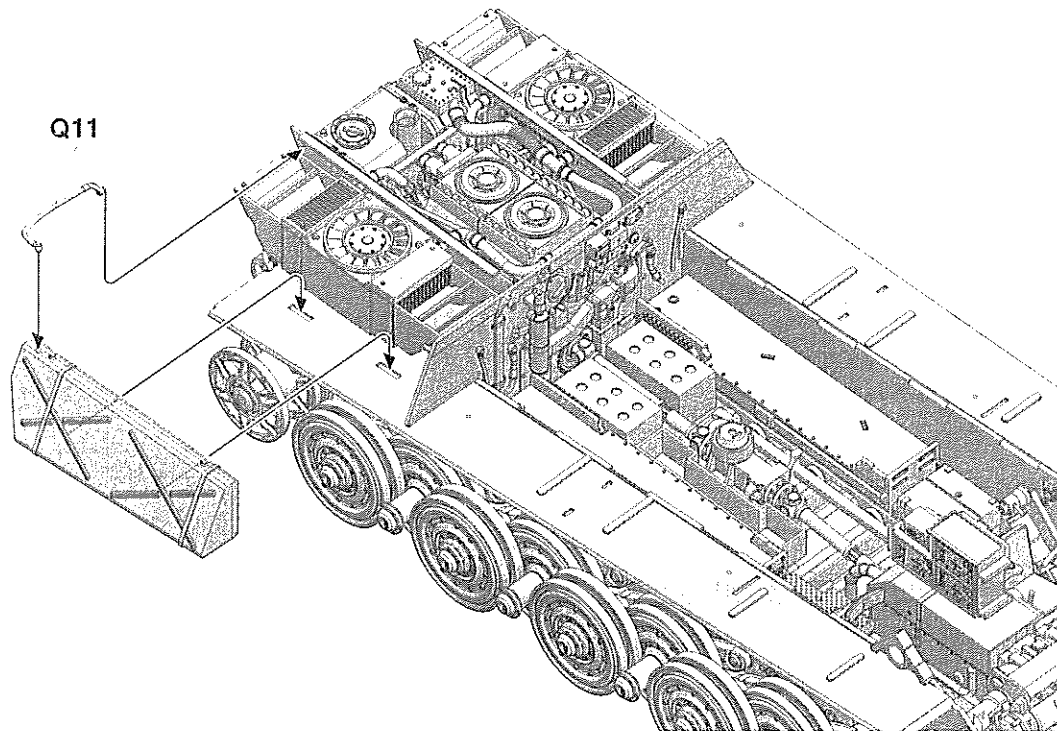
Make 4



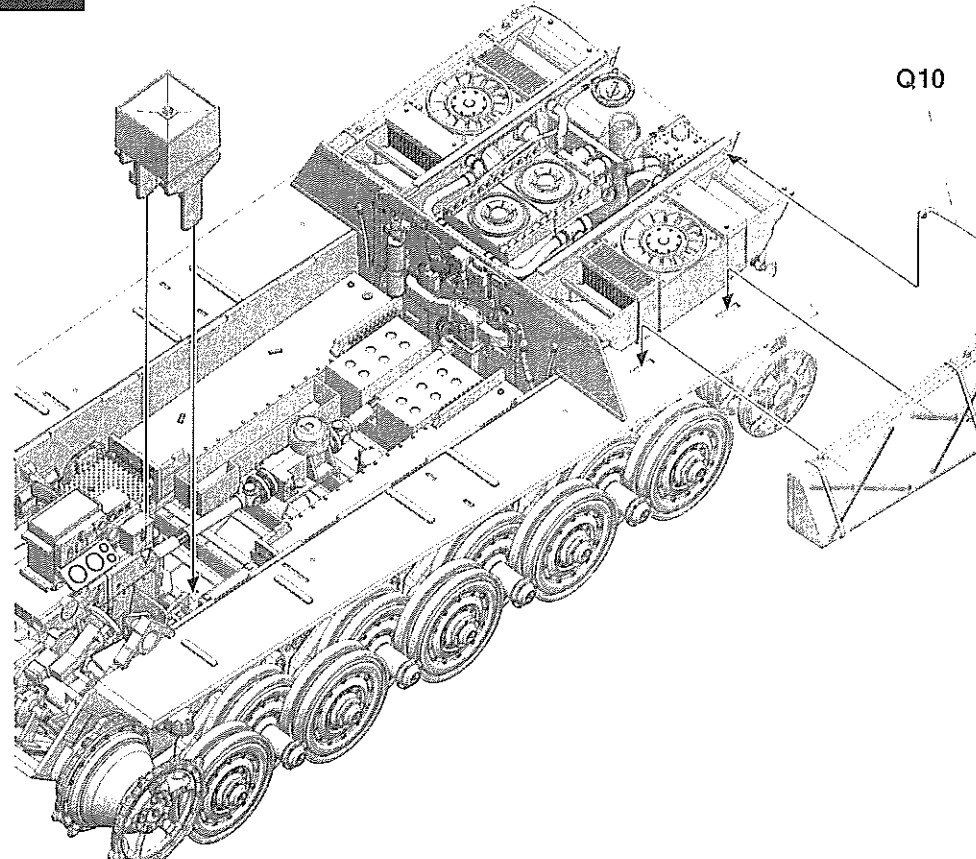
Make 2



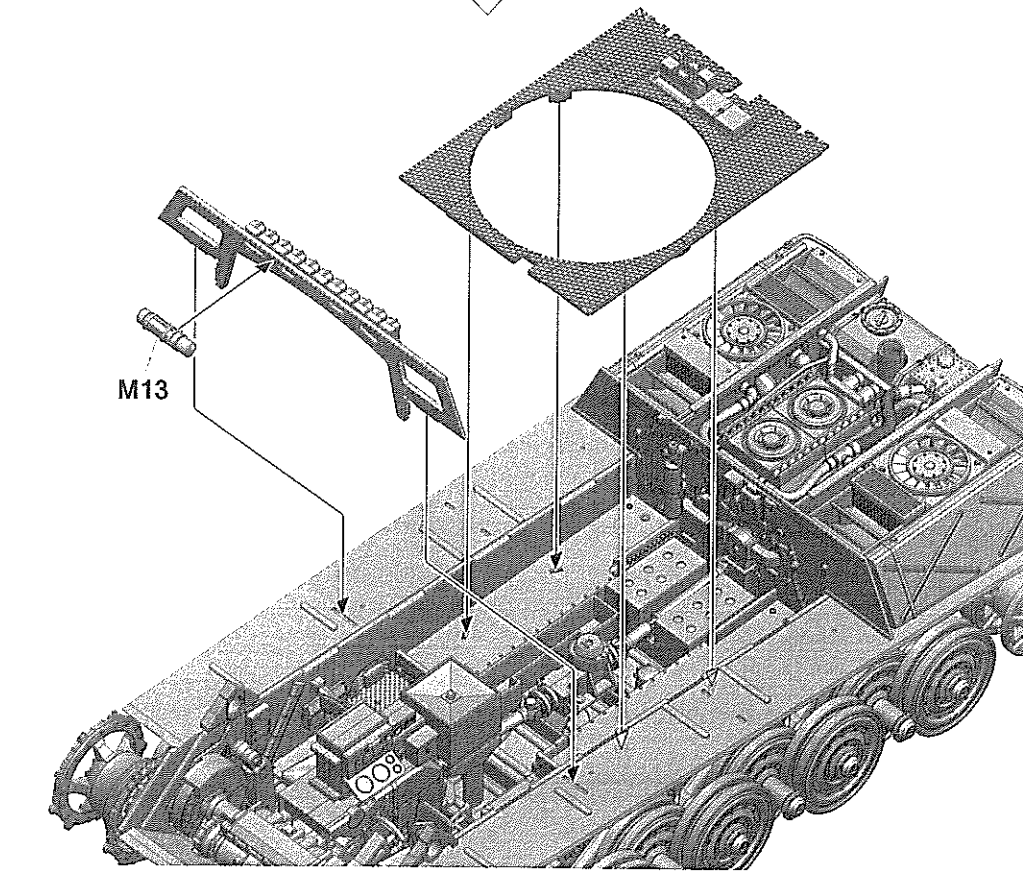
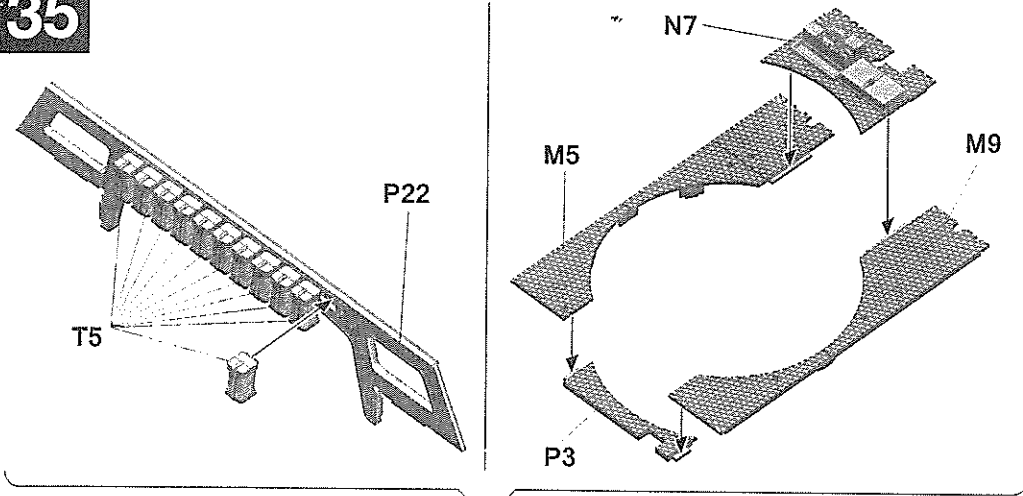
33



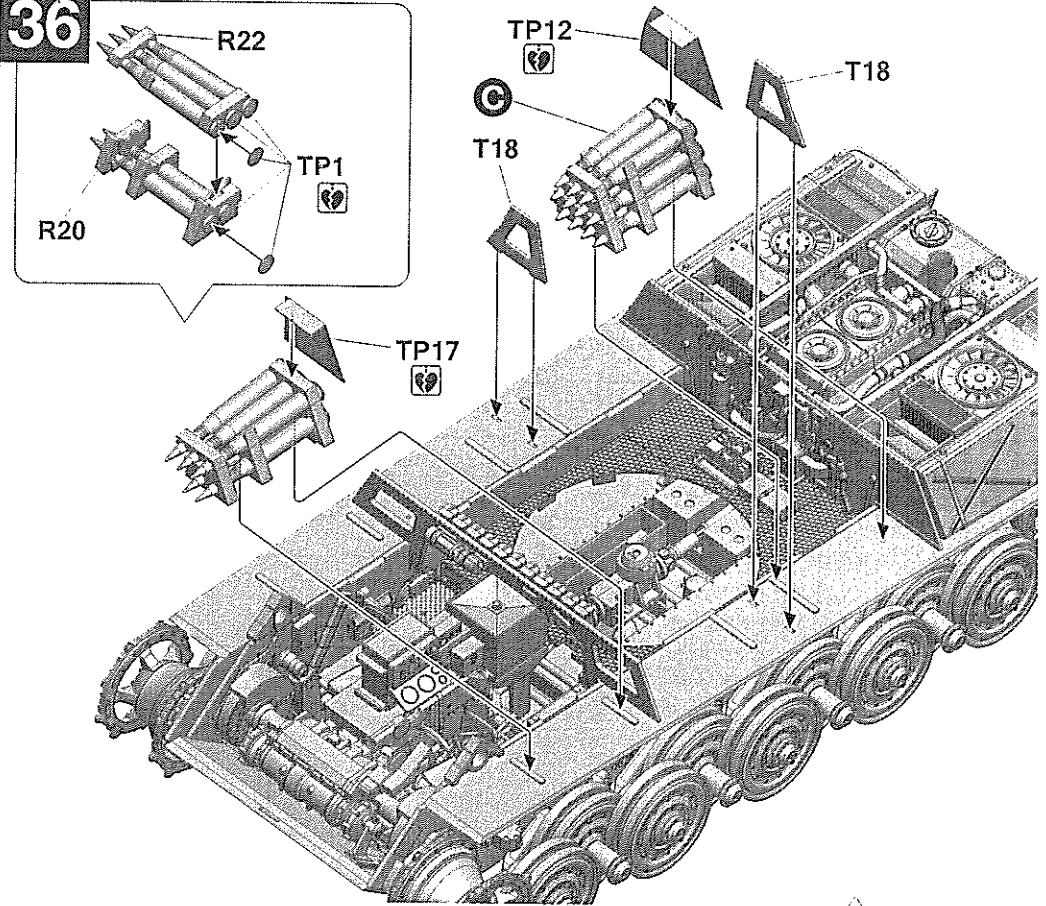
34



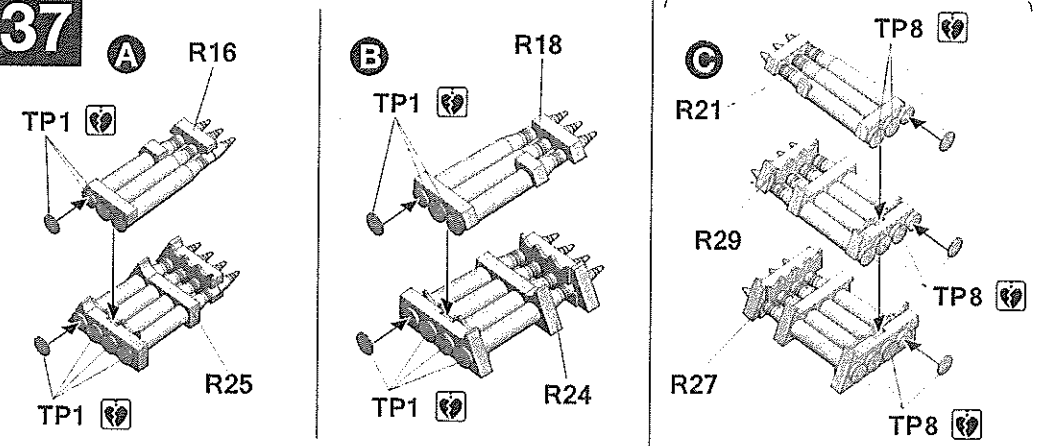
35



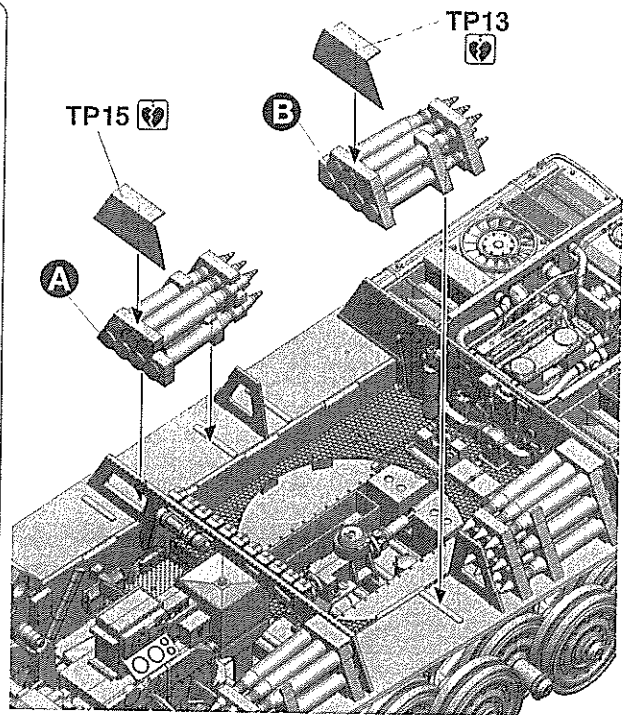
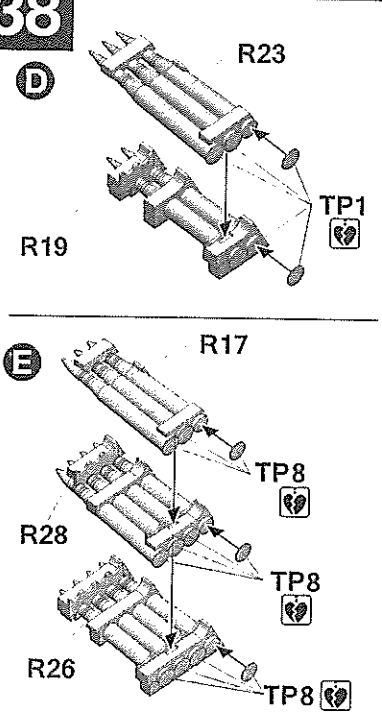
36



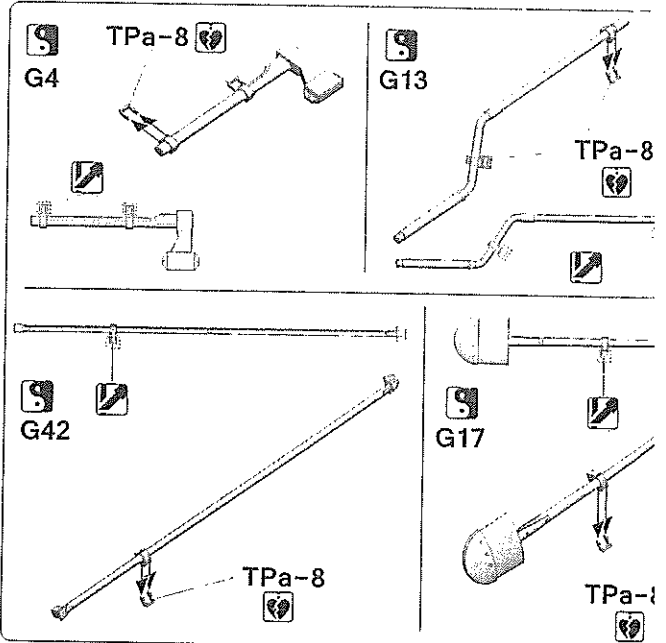
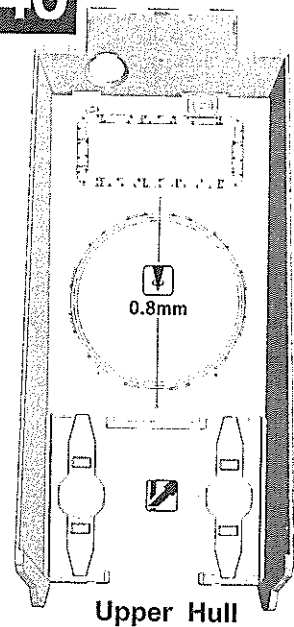
37



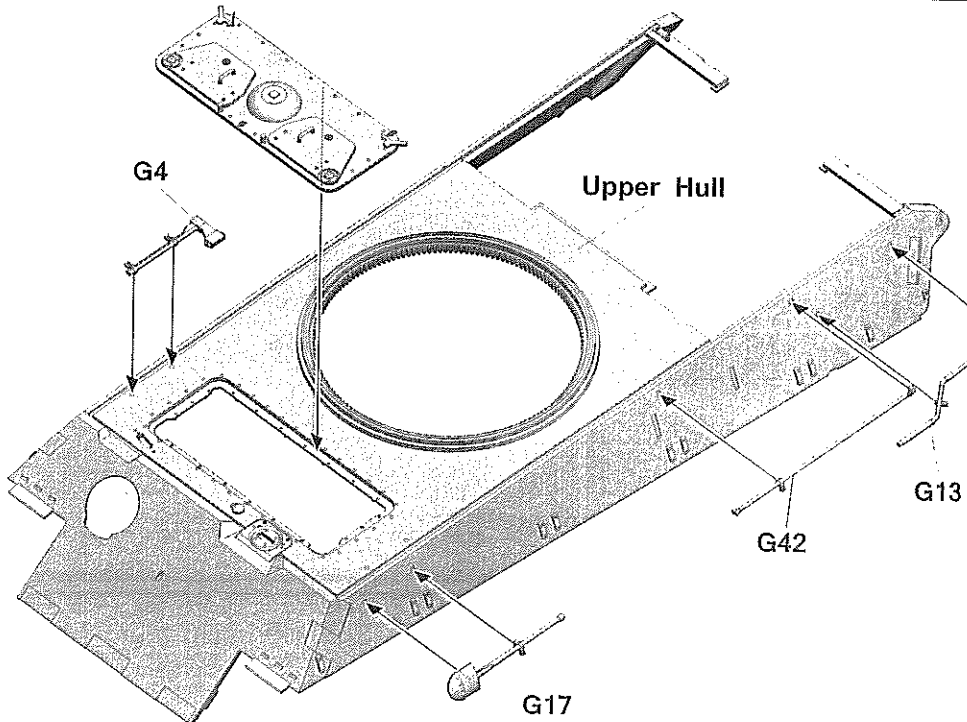
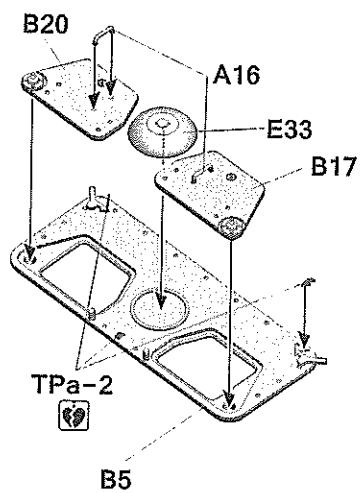
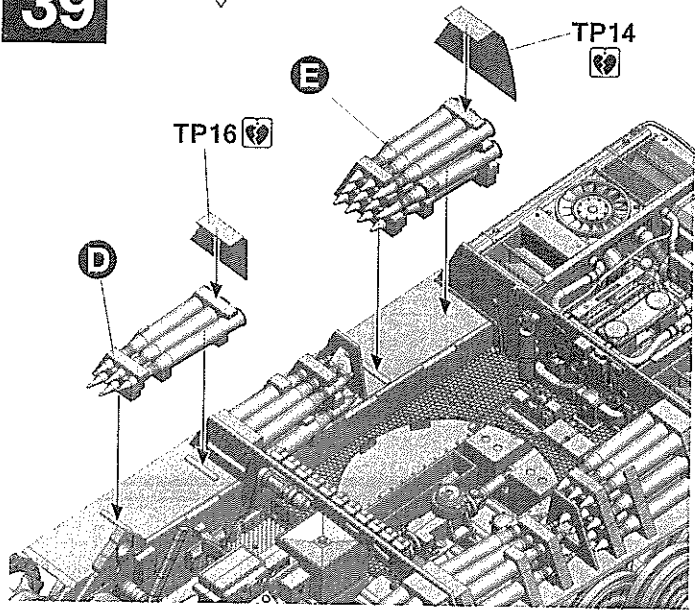
38



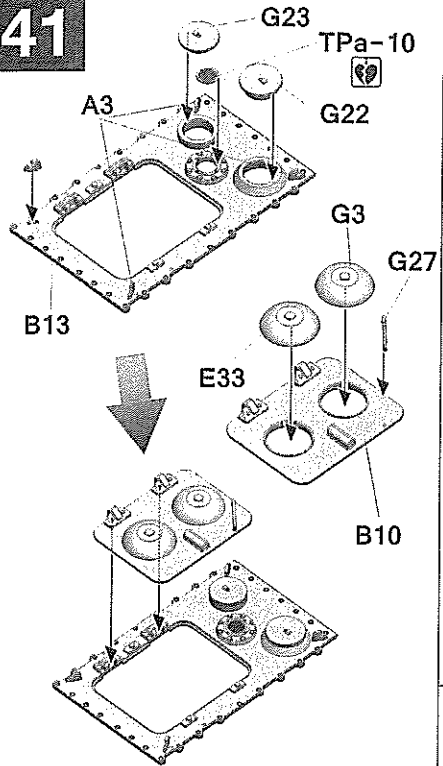
40



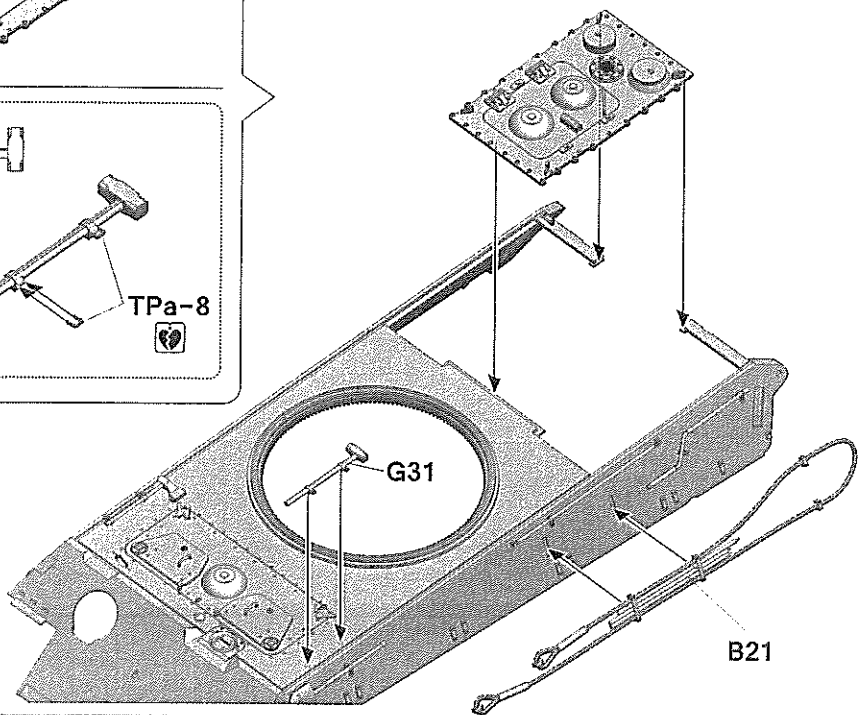
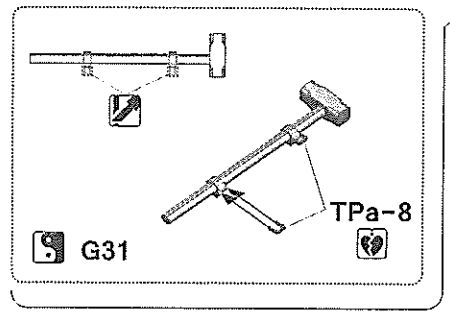
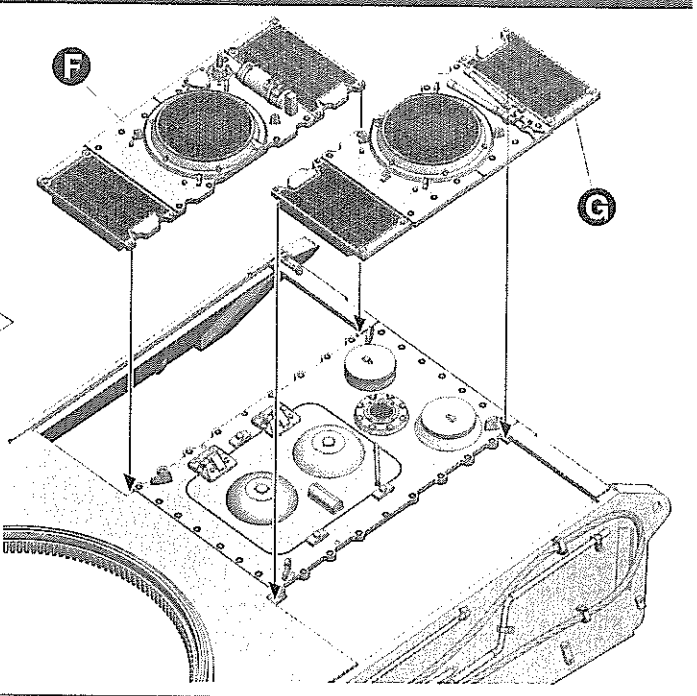
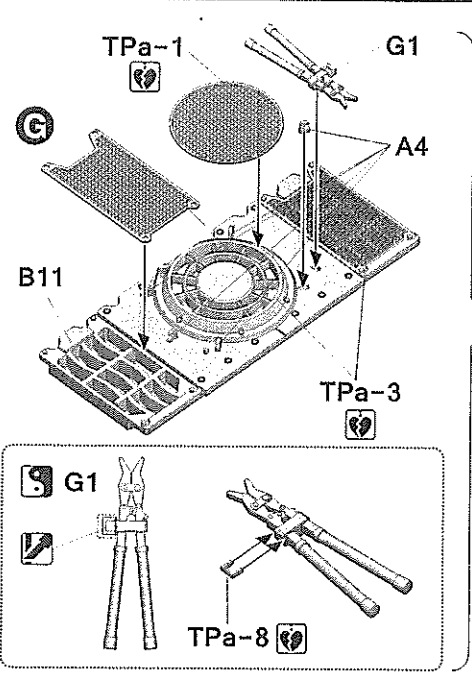
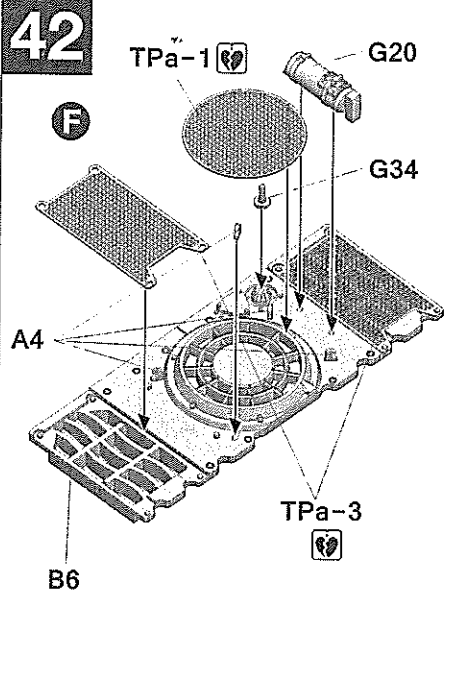
39



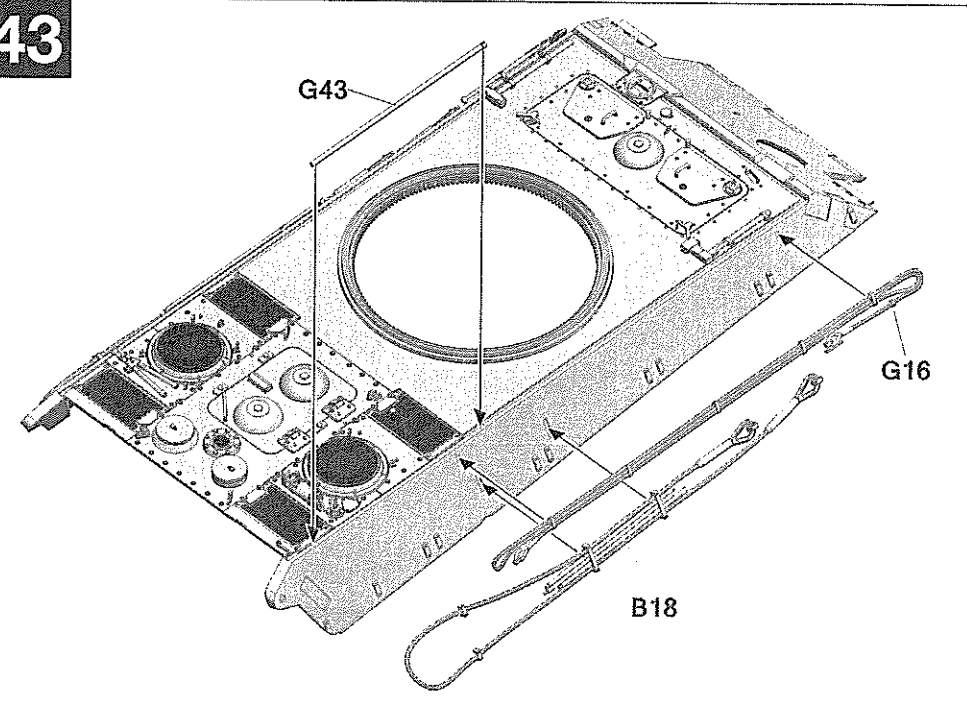
41



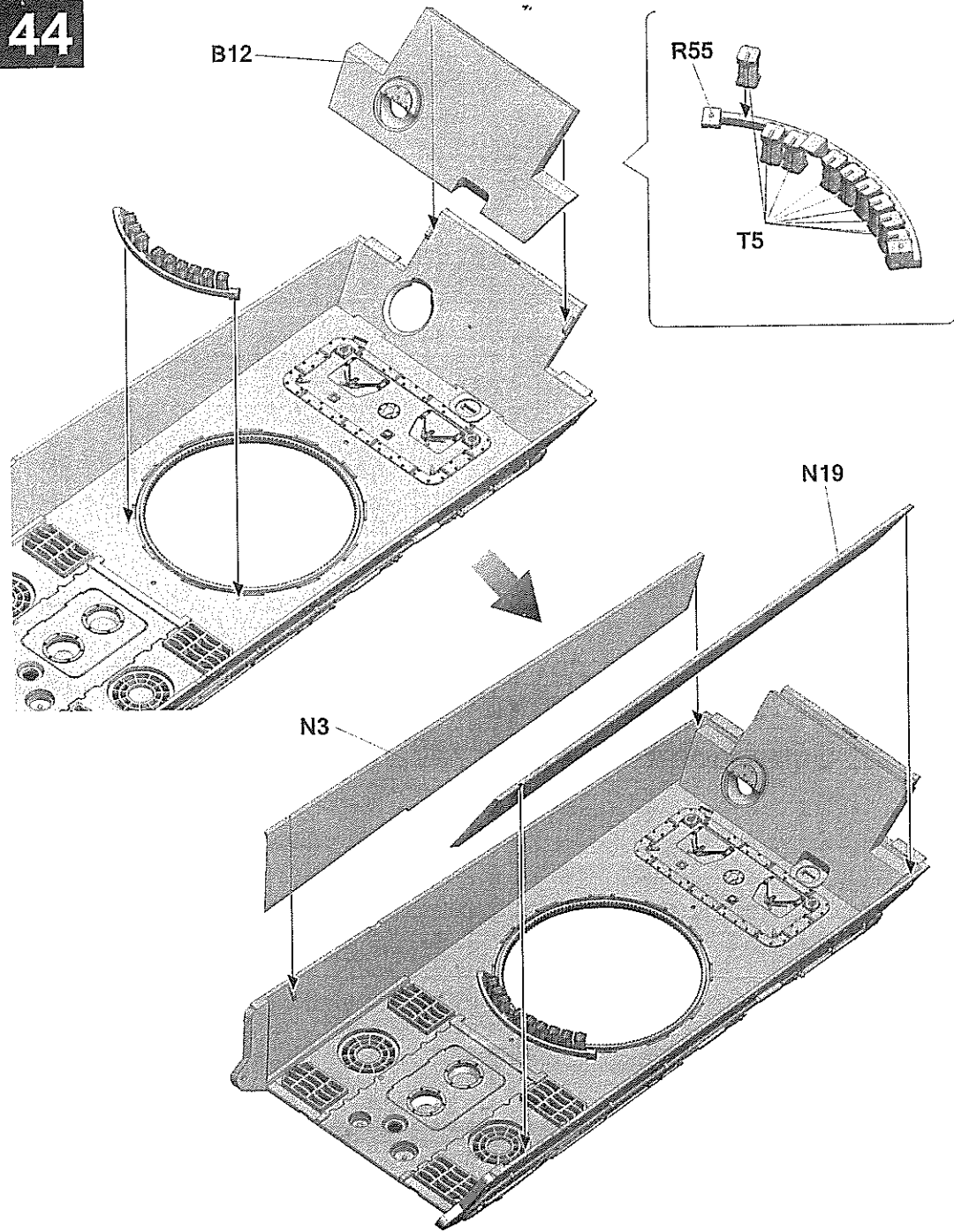
42



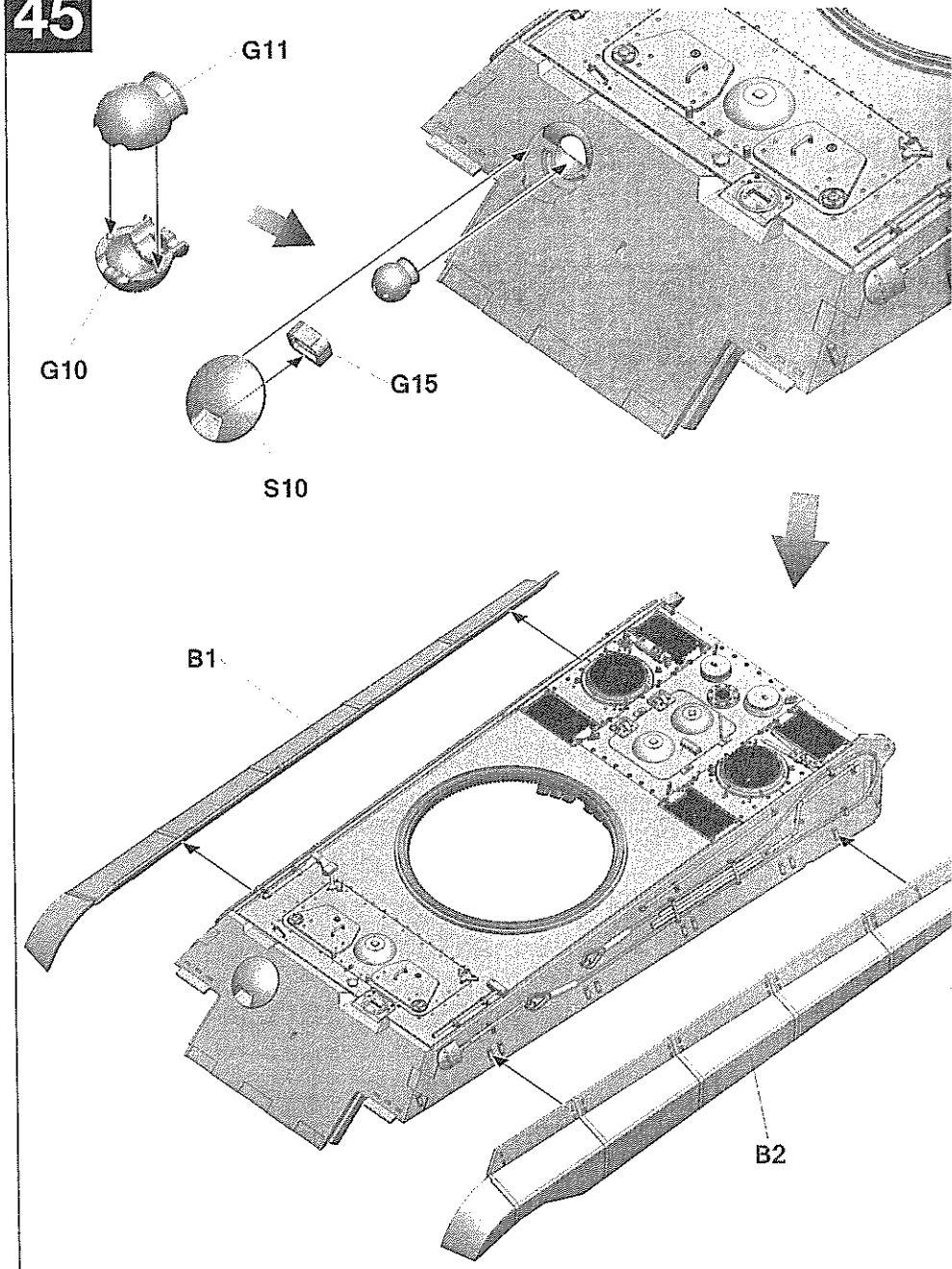
43



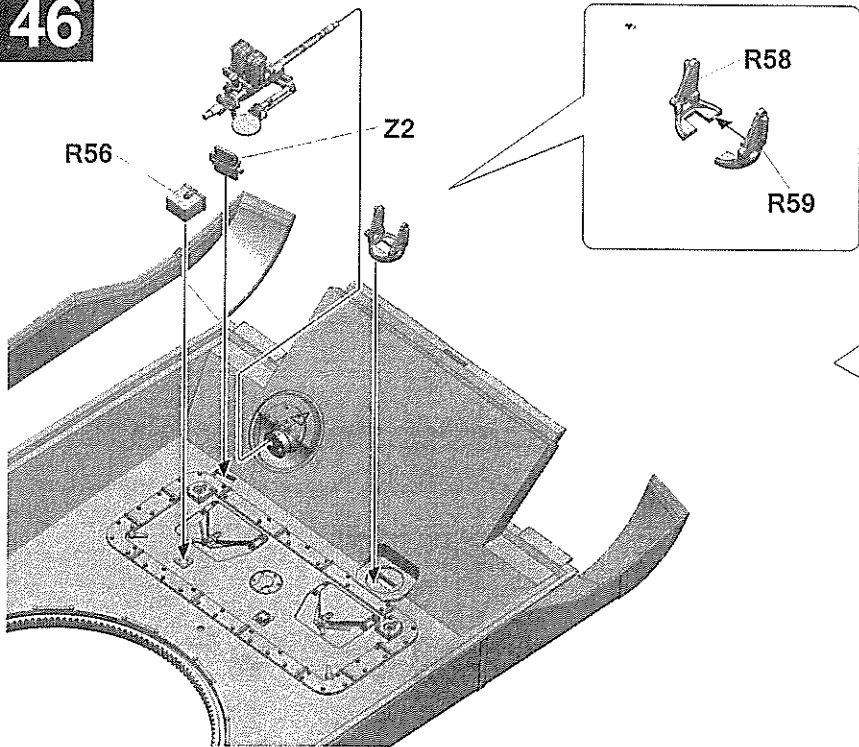
44



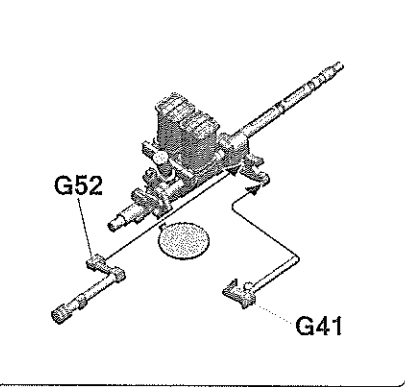
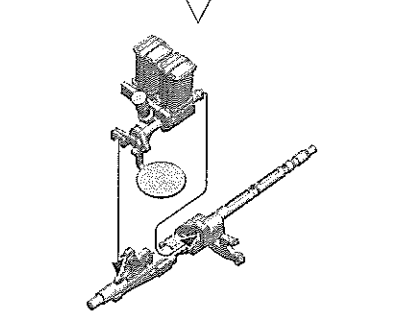
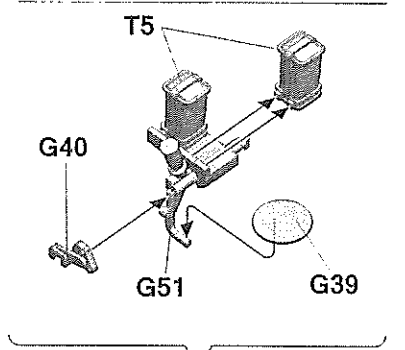
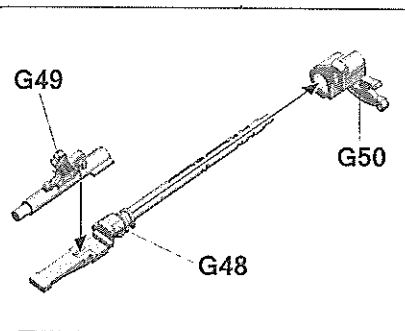
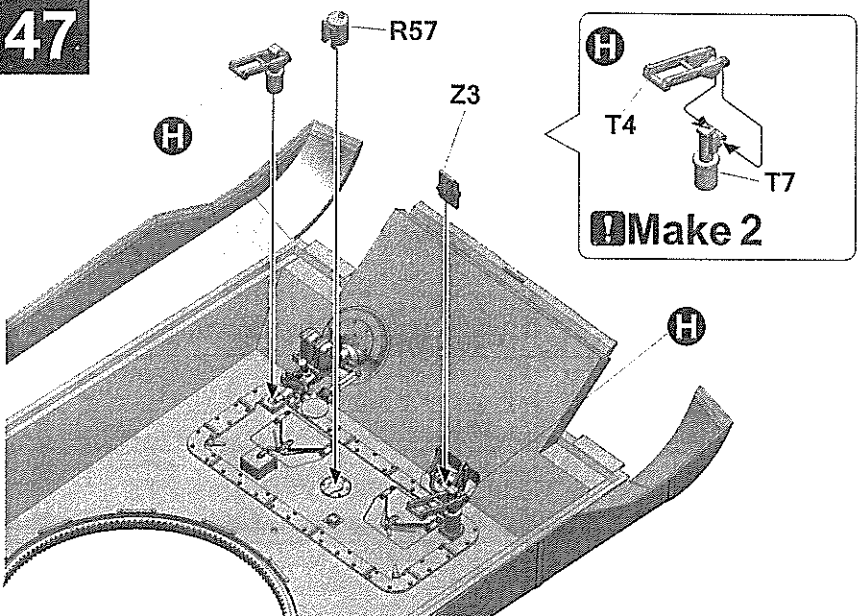
45



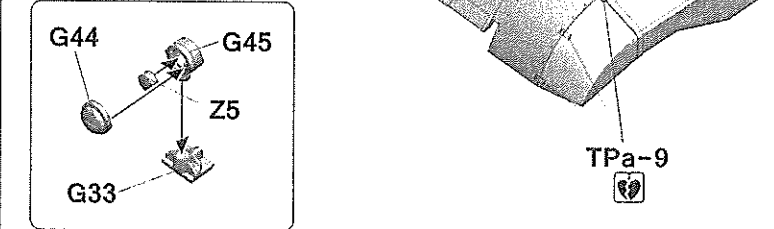
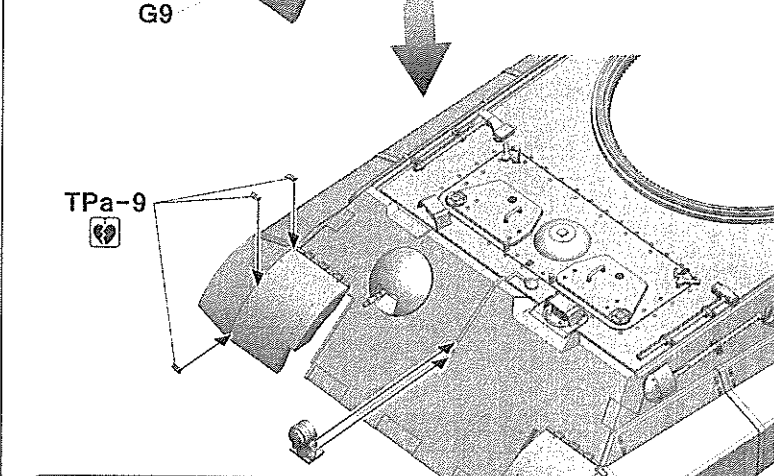
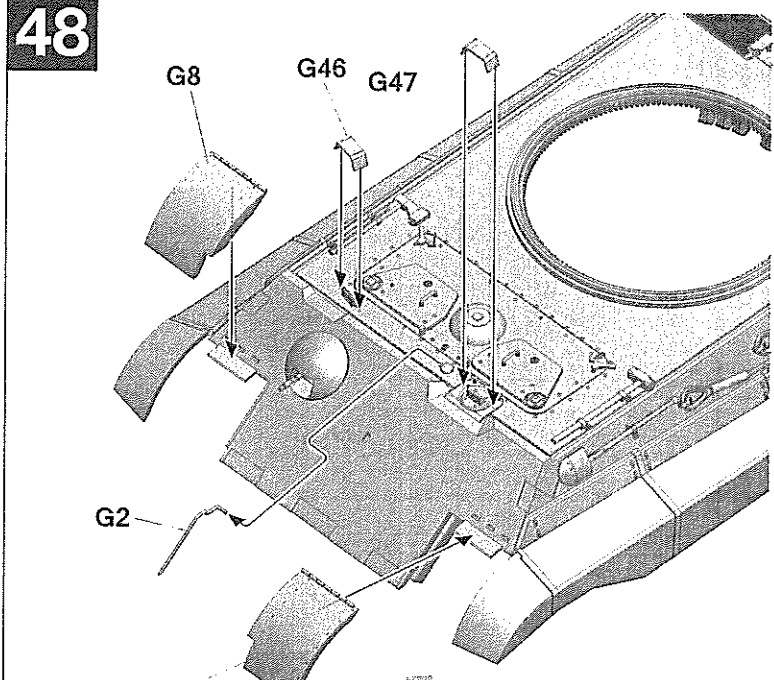
46



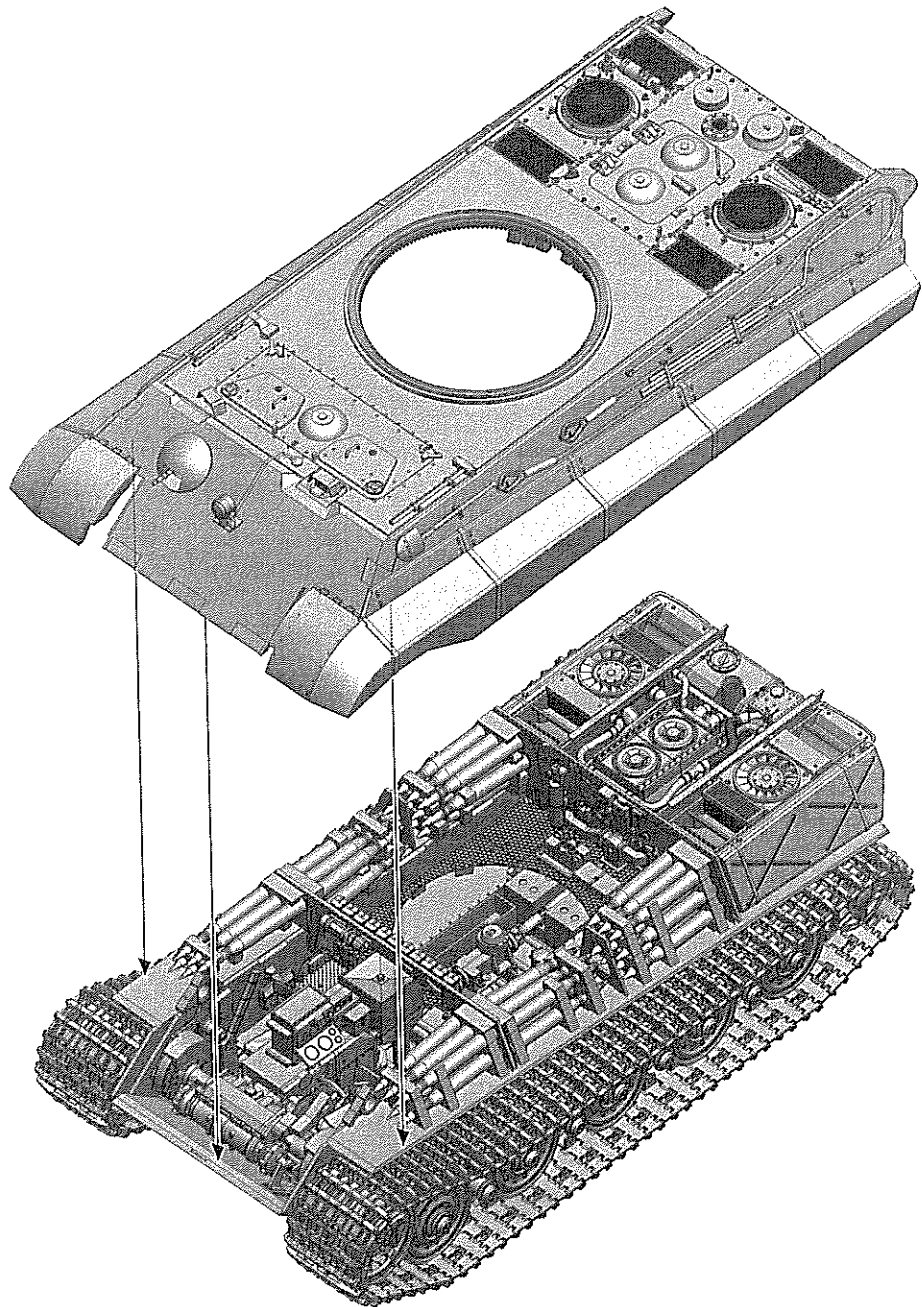
47



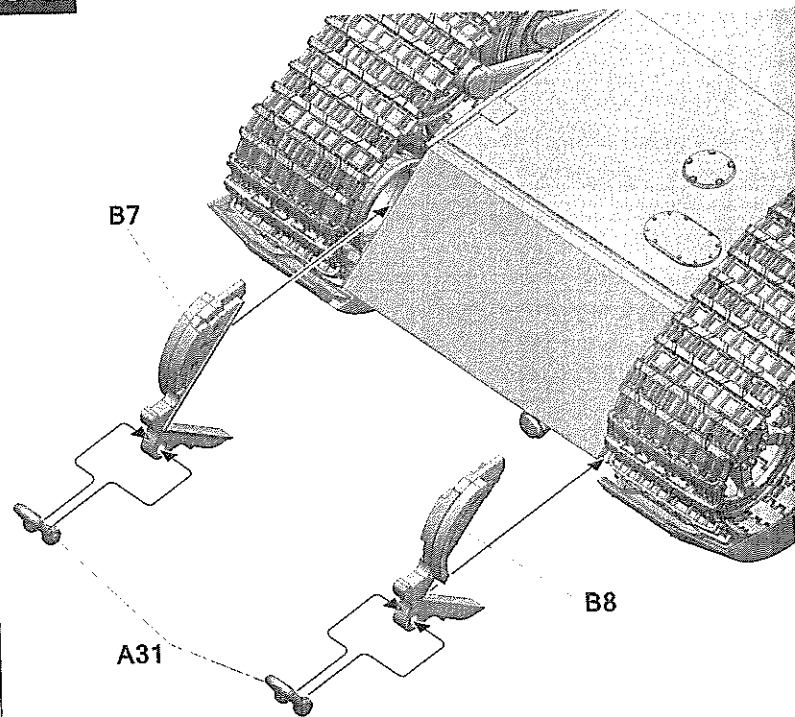
48



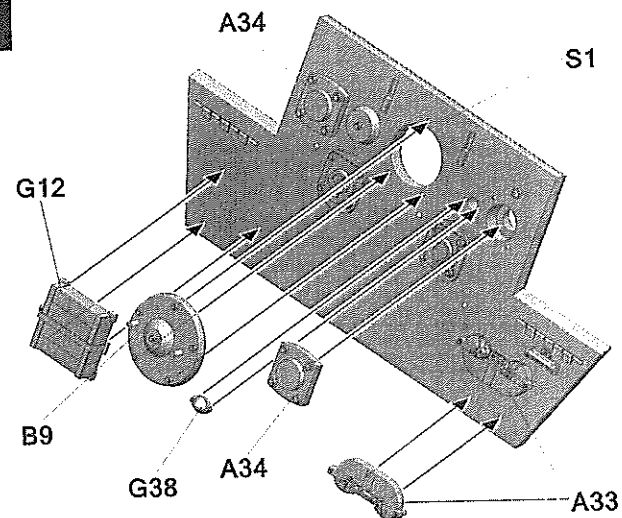
49

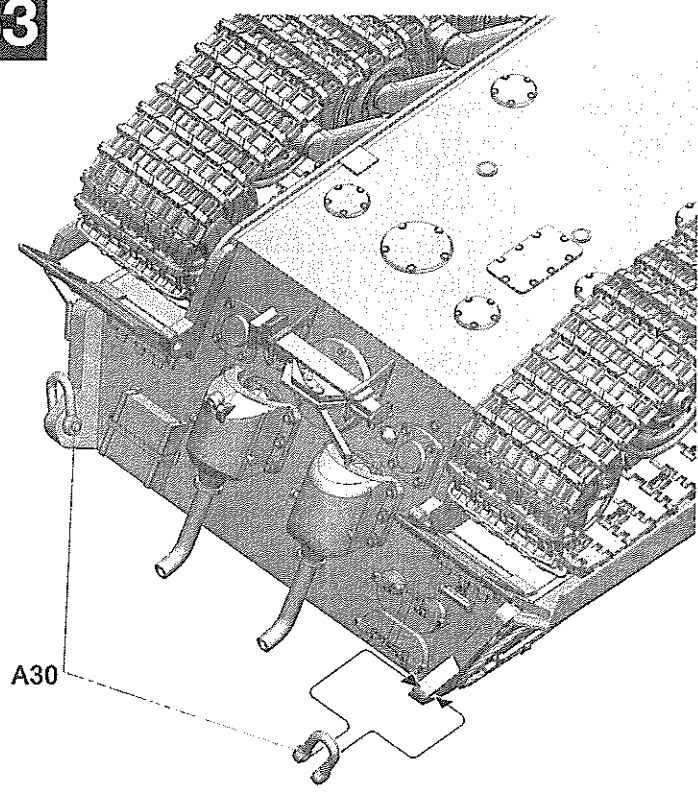
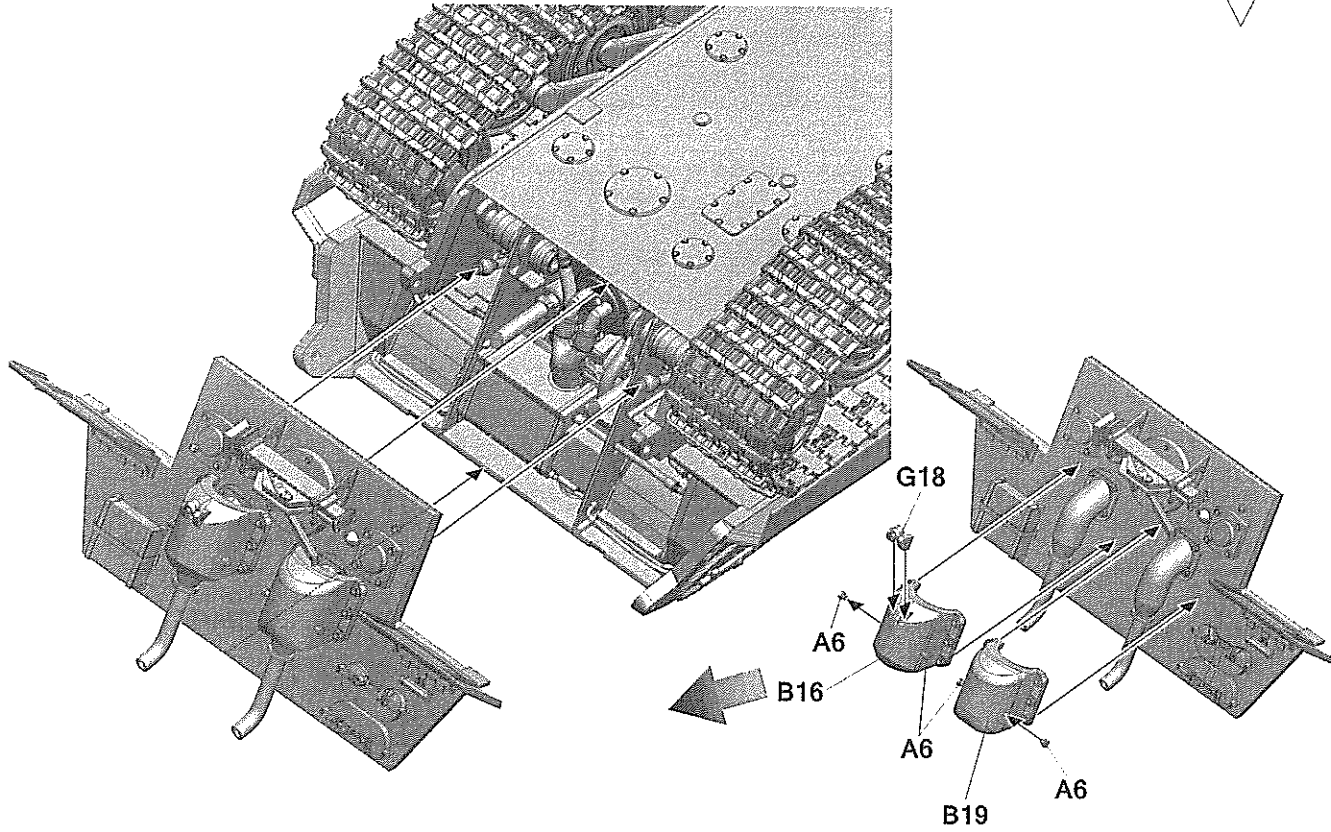
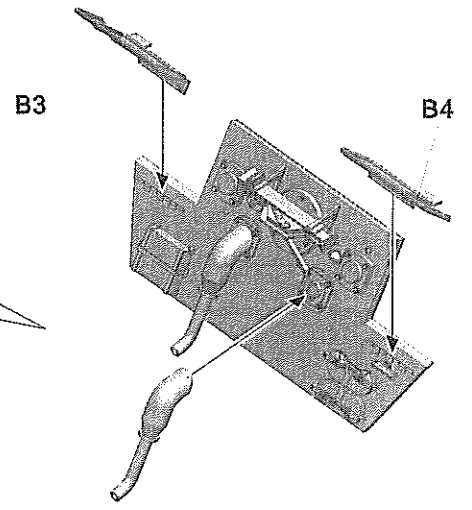
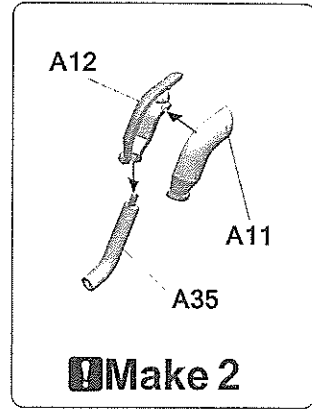
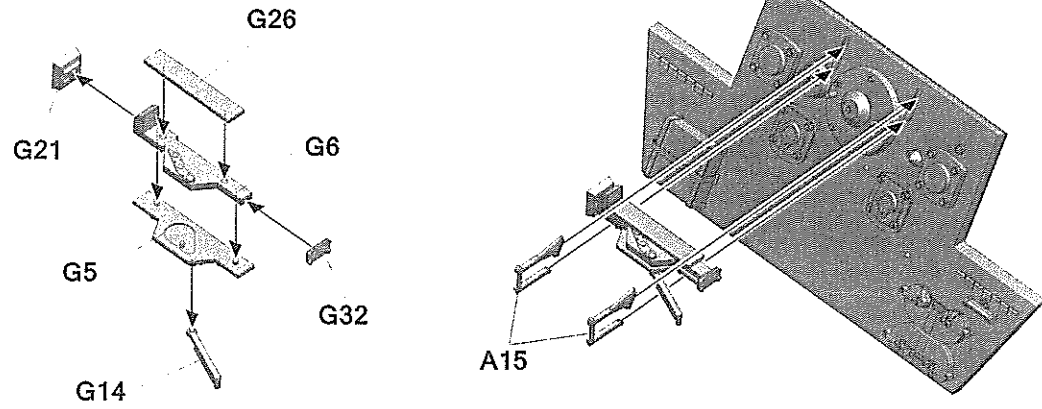


50

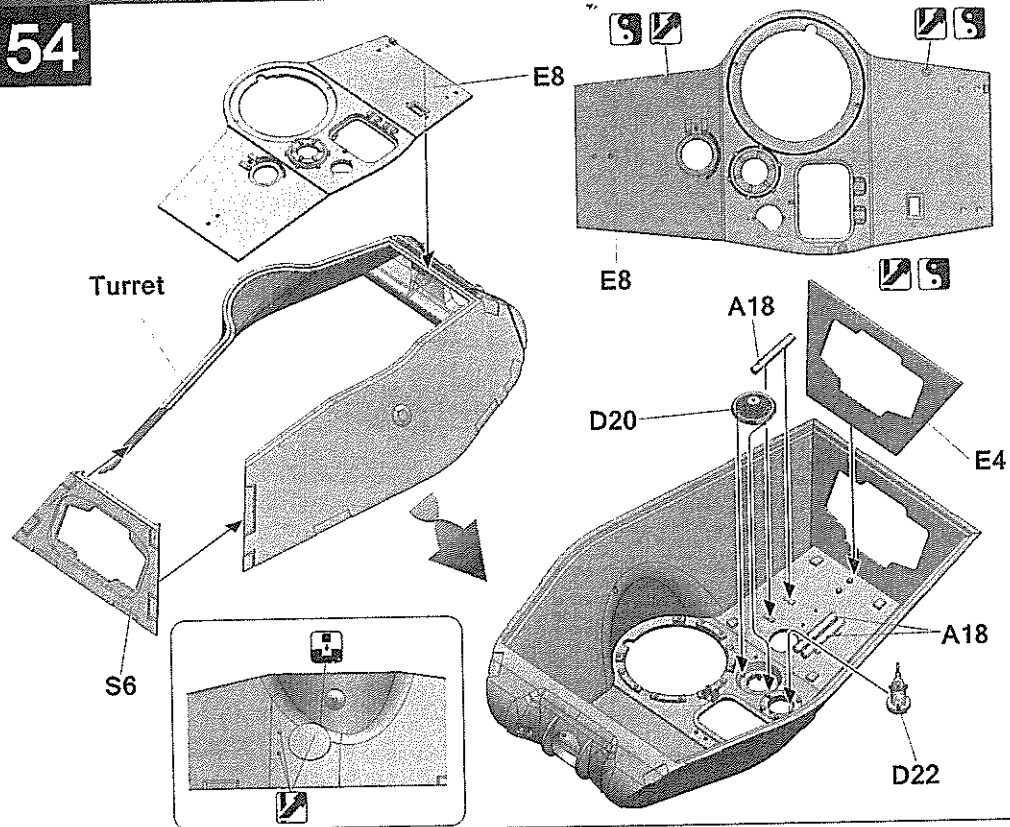


51

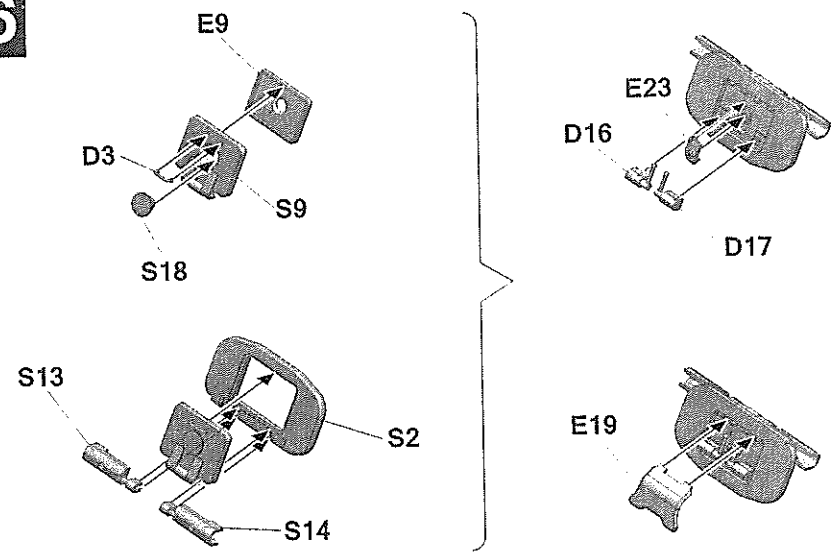




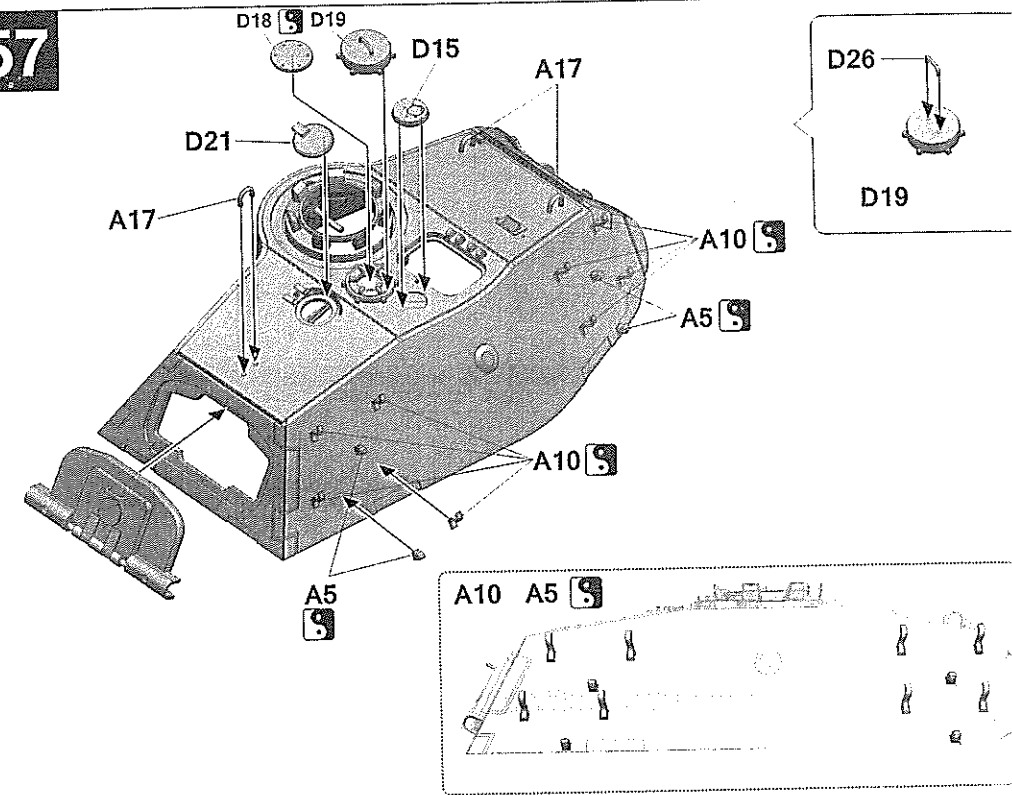
54



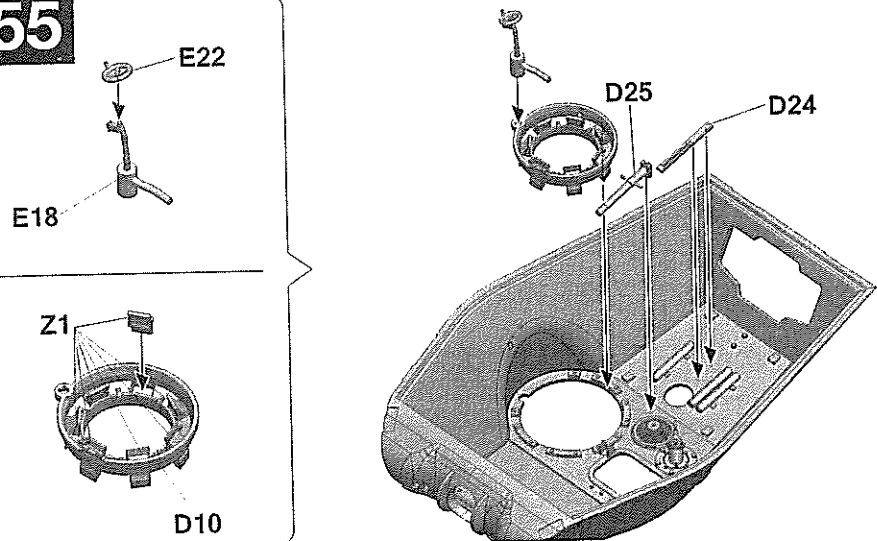
56



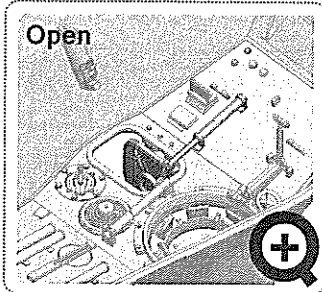
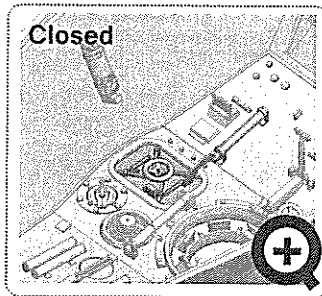
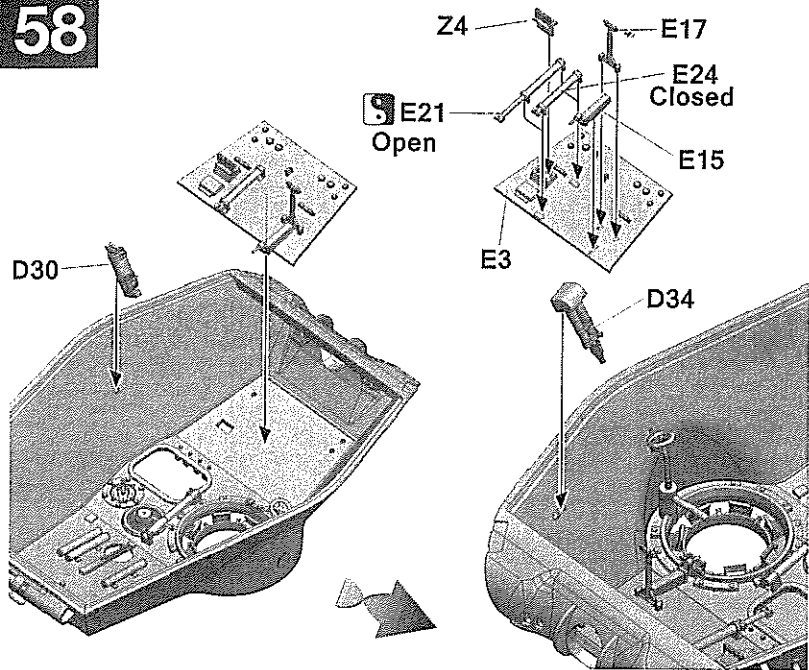
57



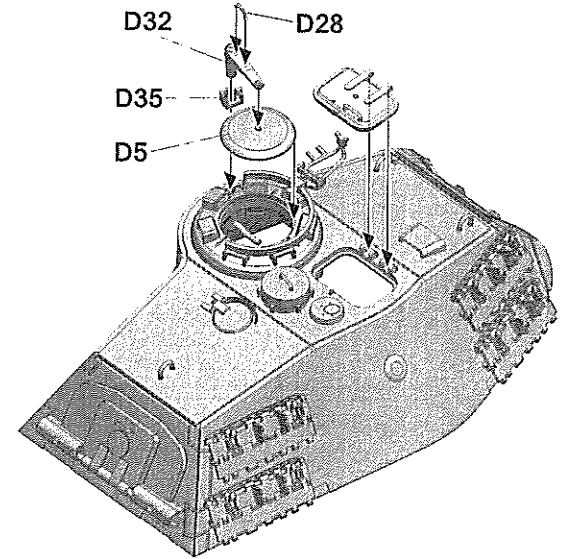
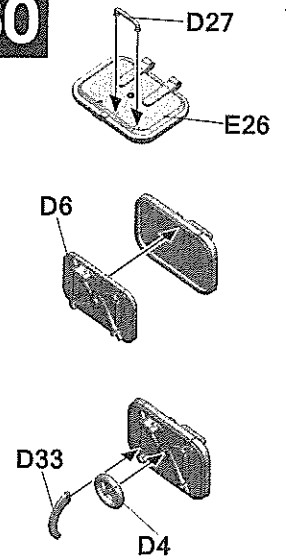
55



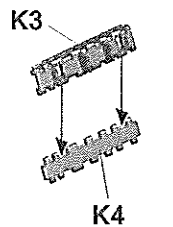
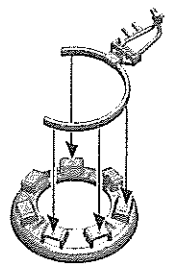
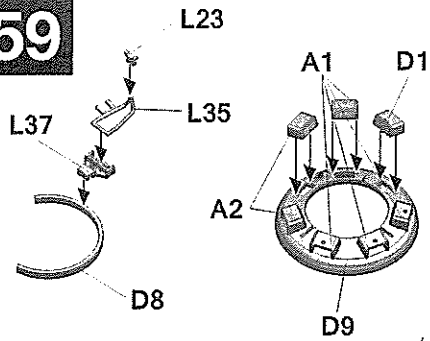
58



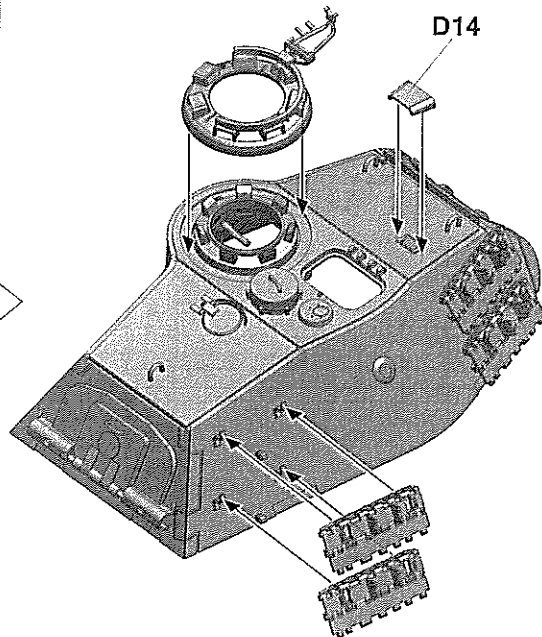
60



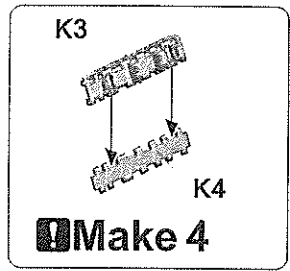
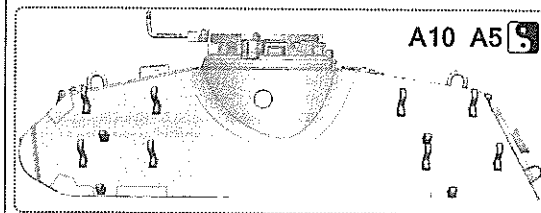
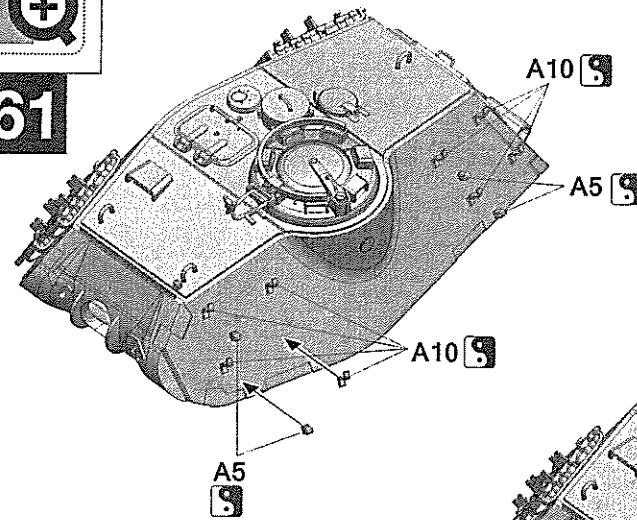
59



Make 4

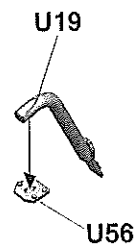
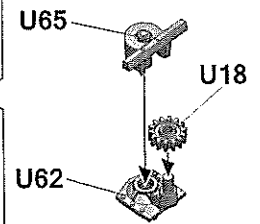
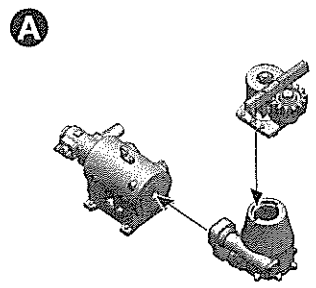
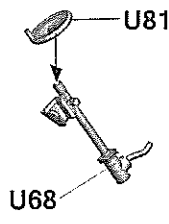
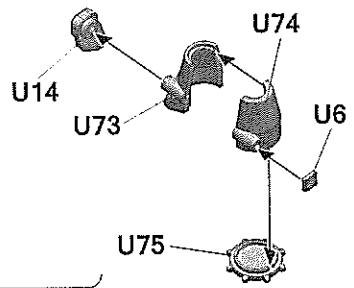
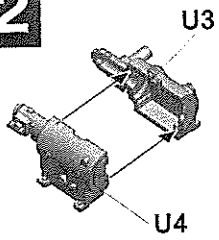


61

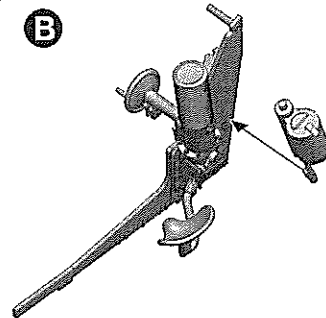
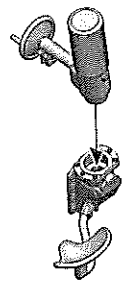
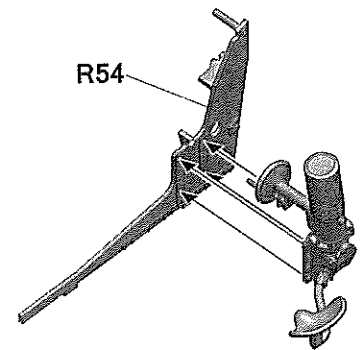
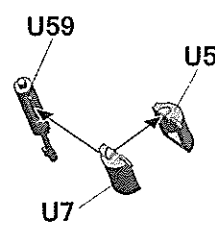
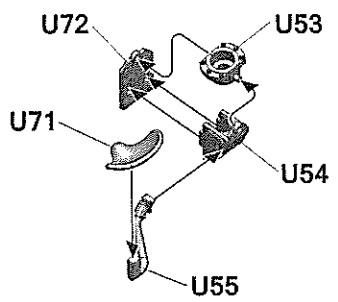
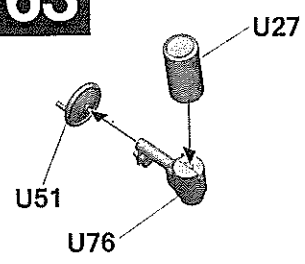


Make 4

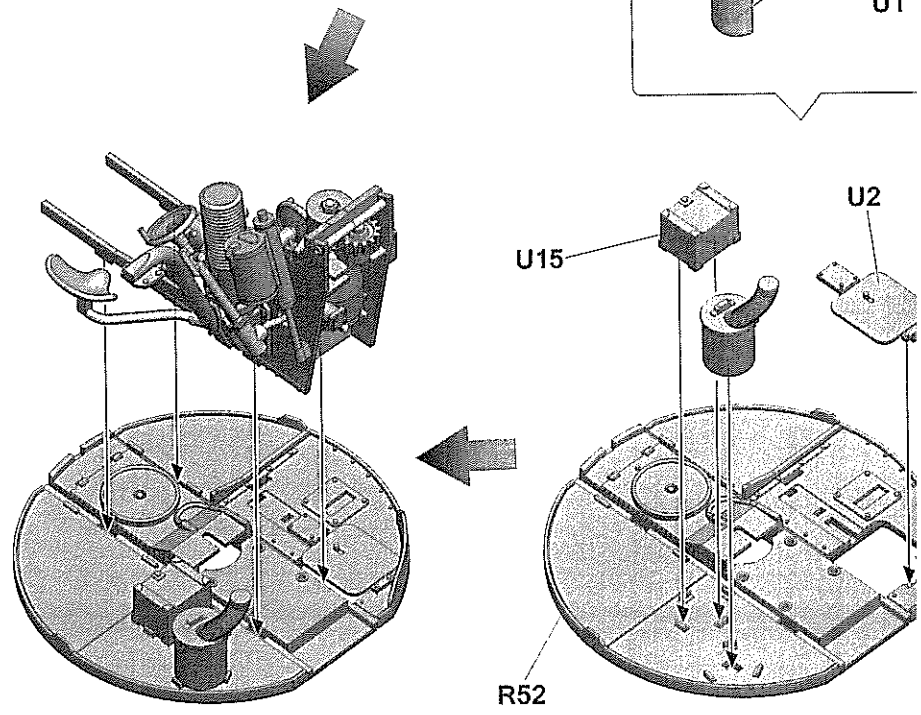
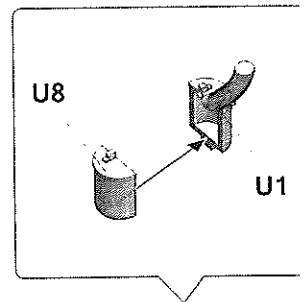
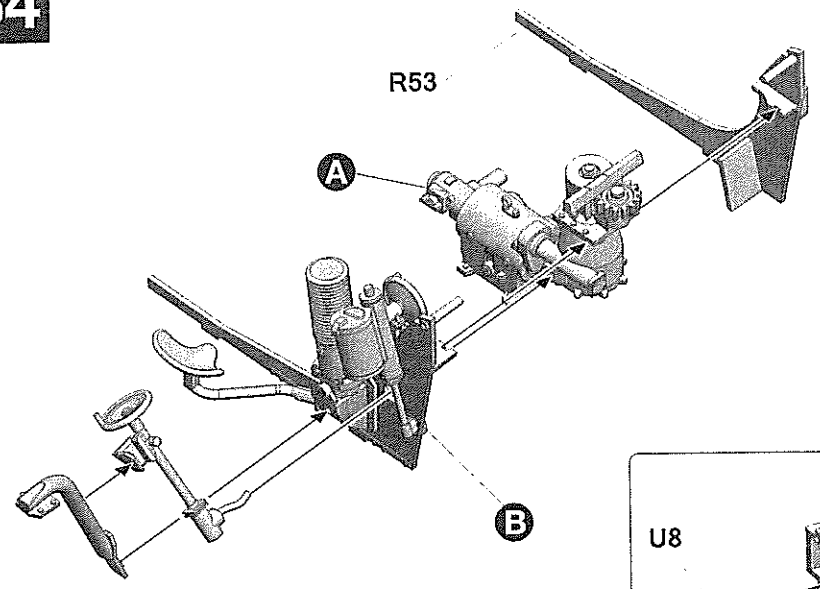
62



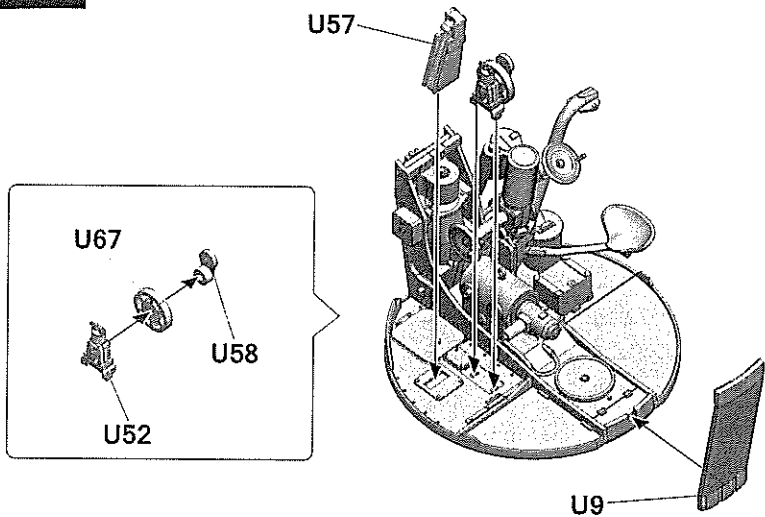
63



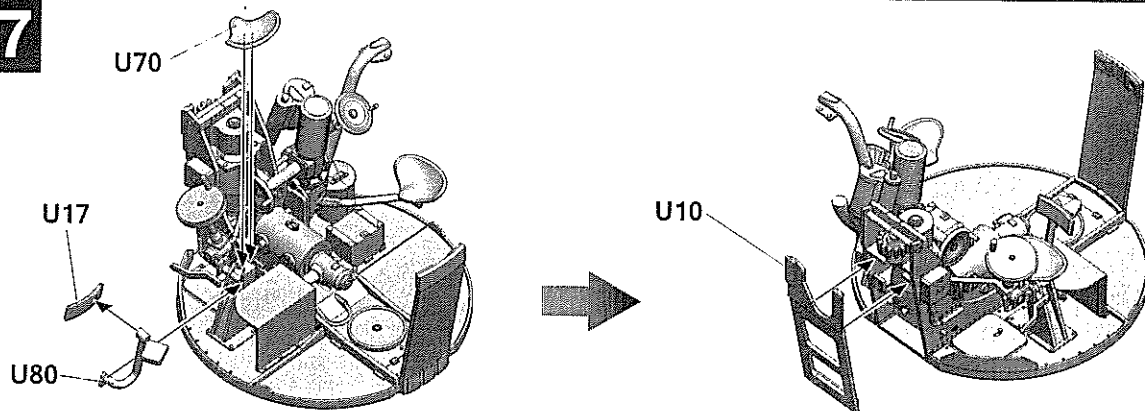
64



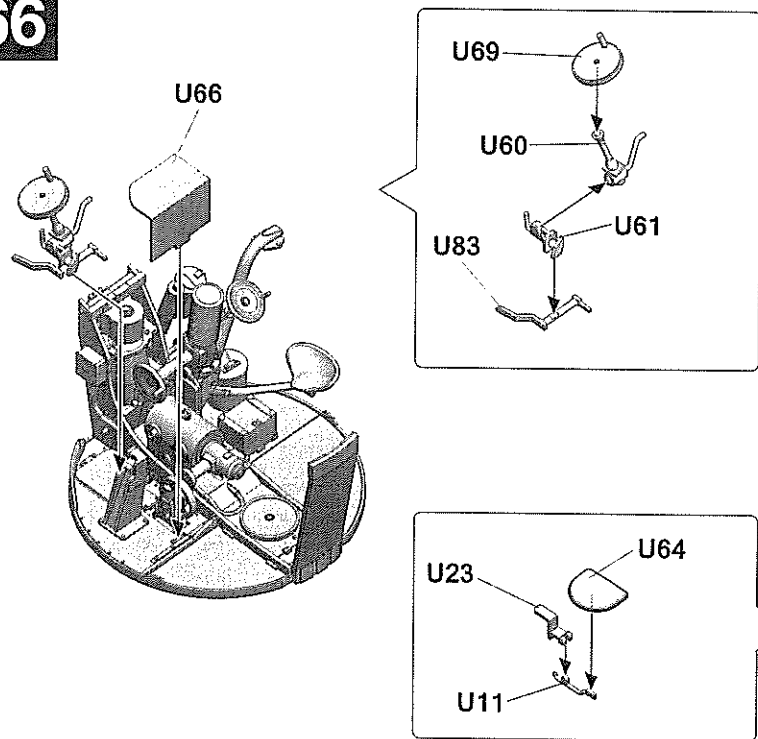
65



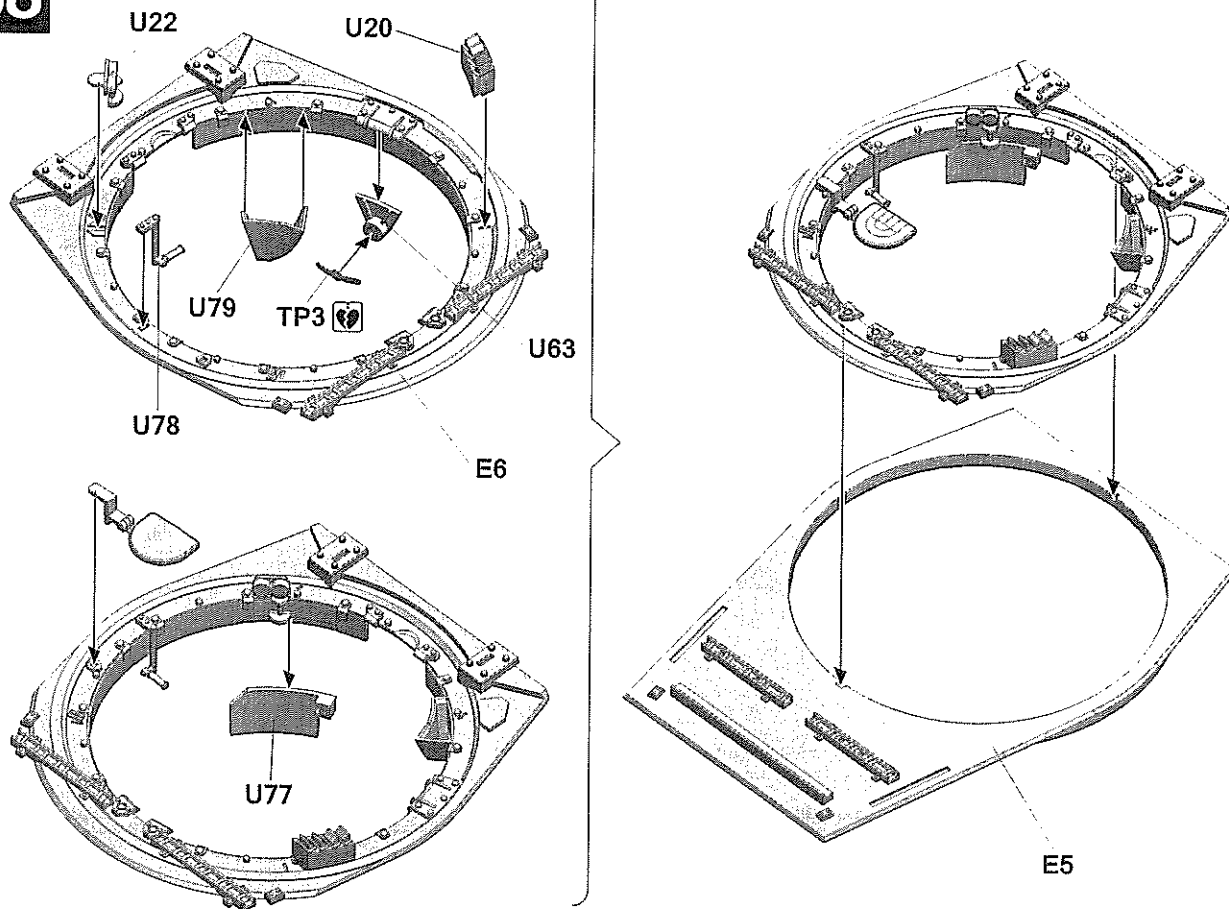
67



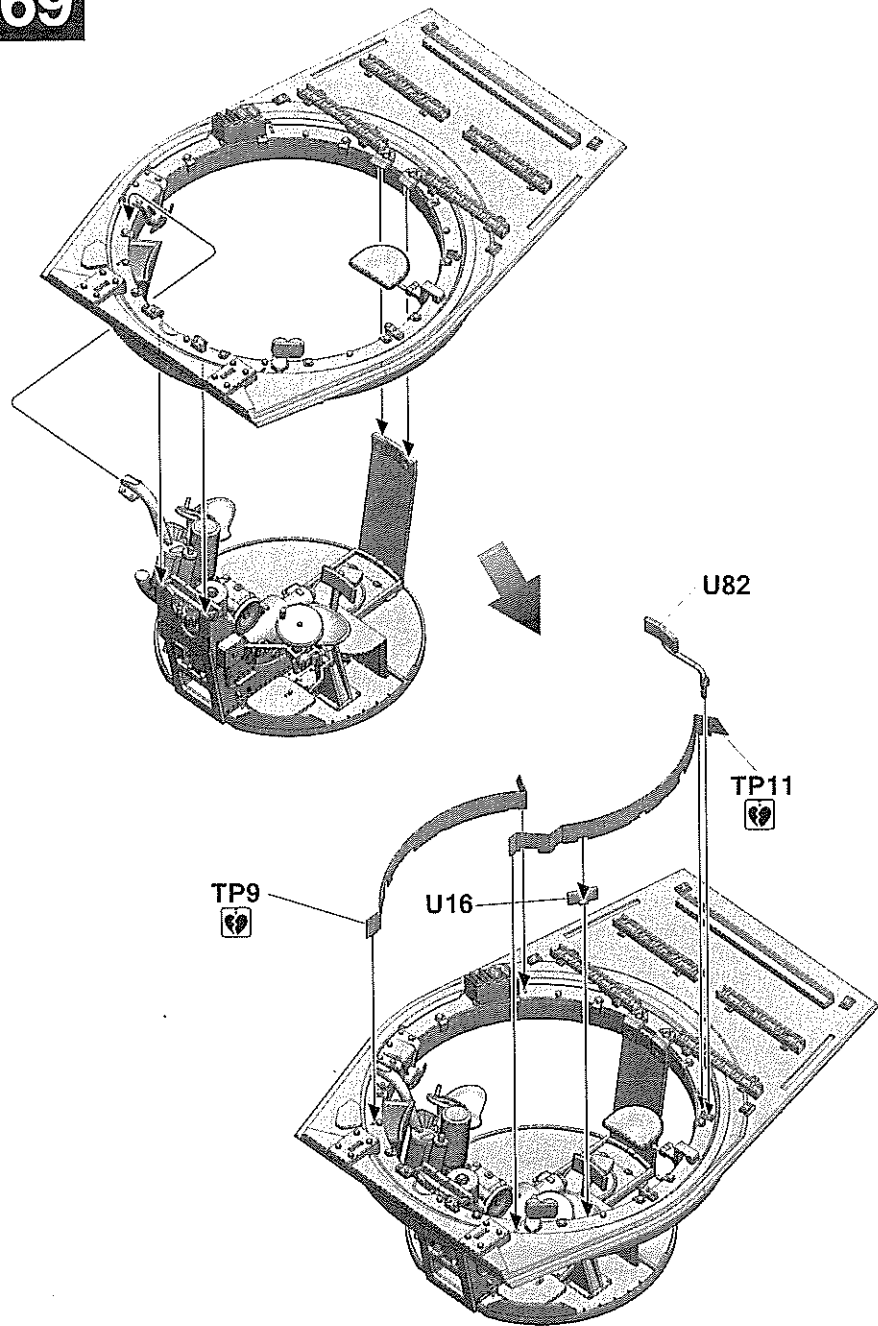
66



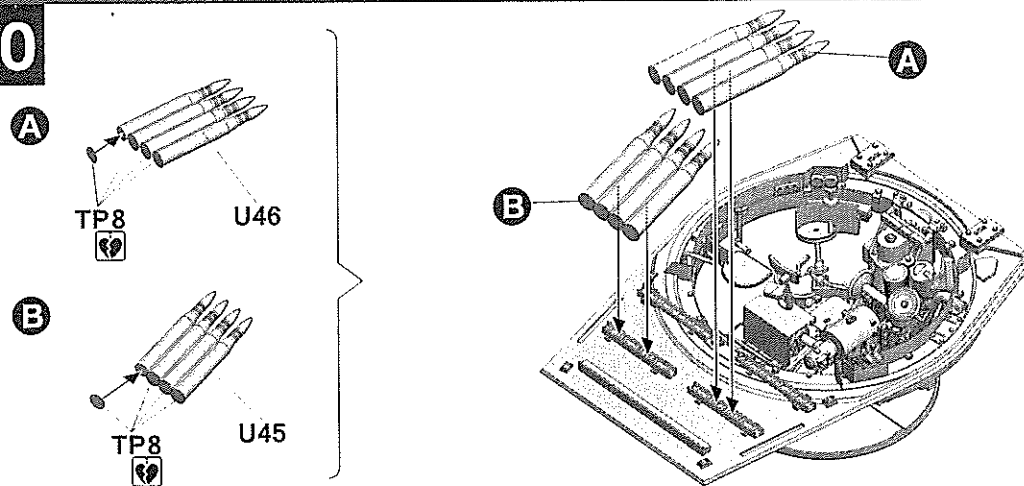
68



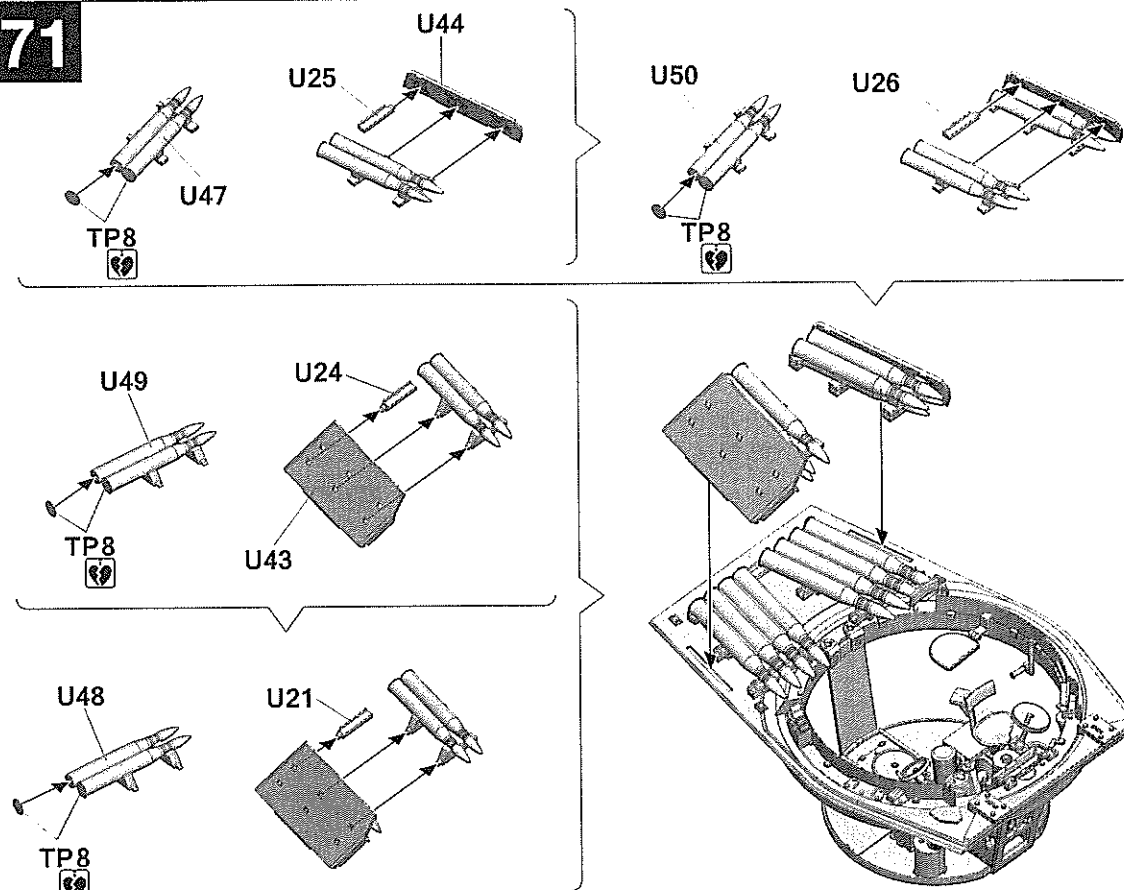
69



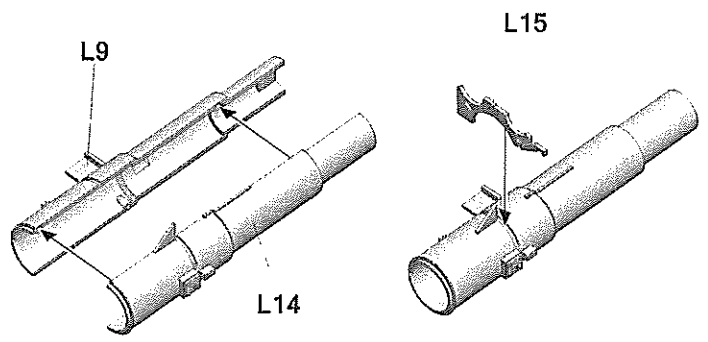
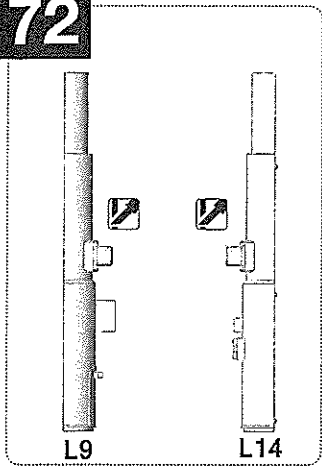
70



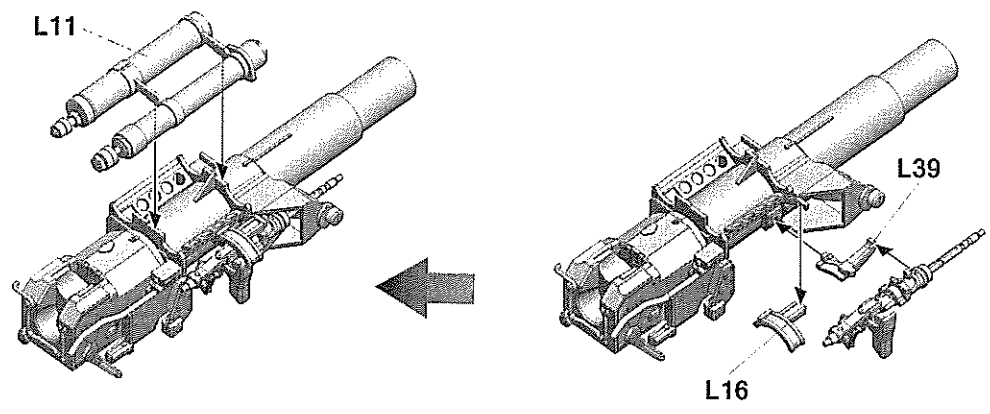
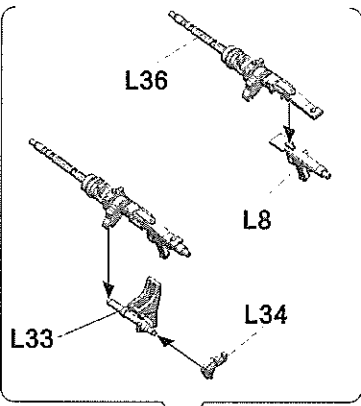
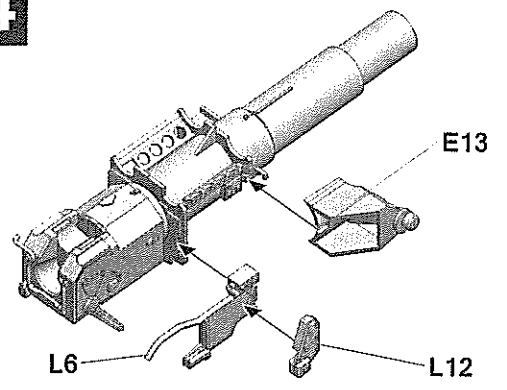
71



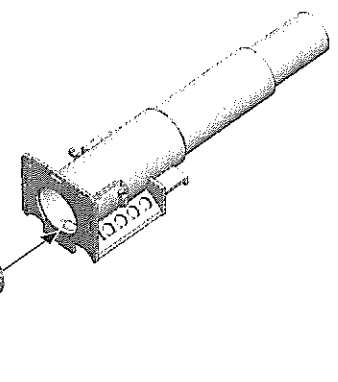
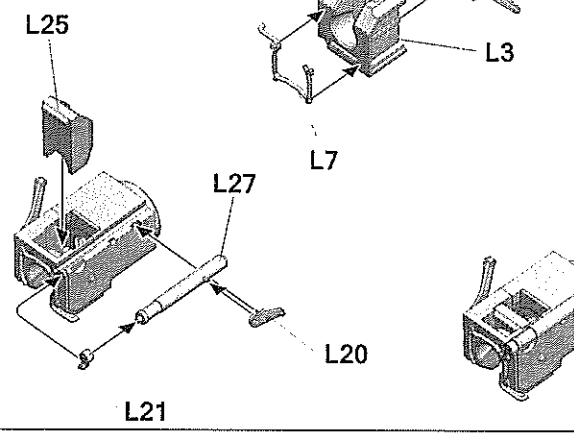
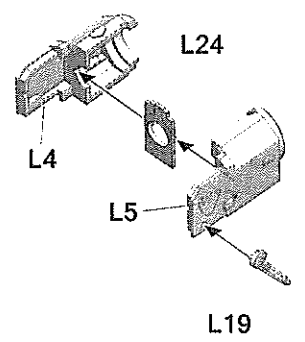
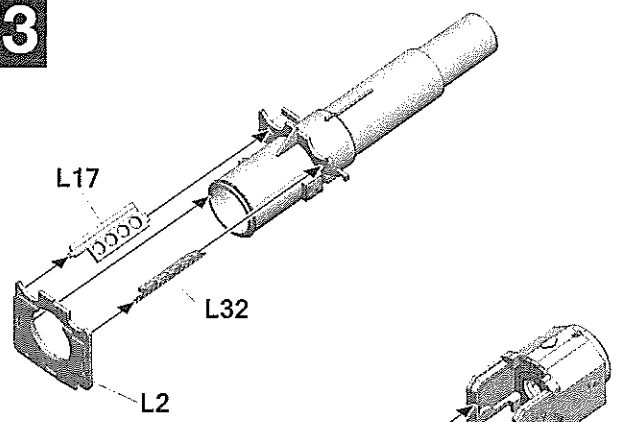
72



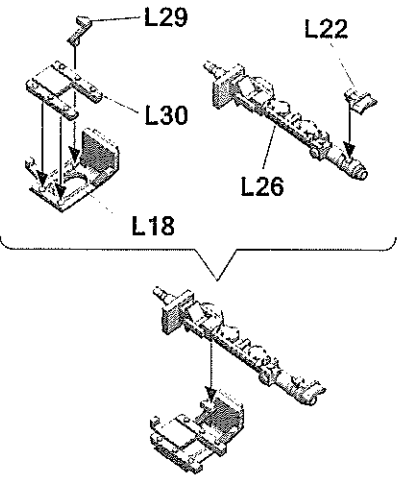
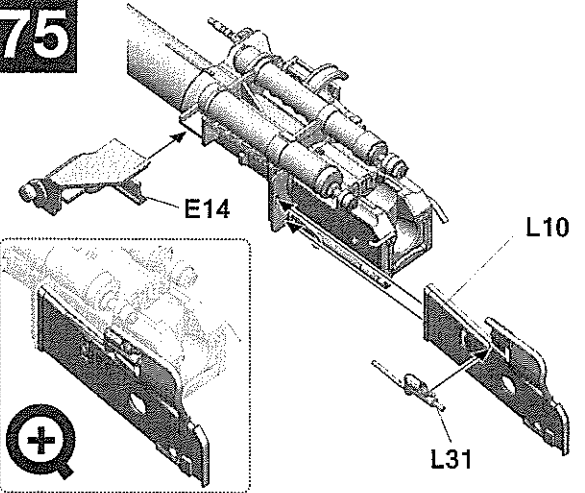
74



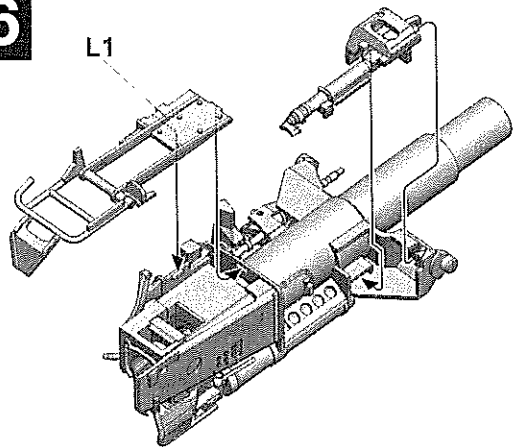
73



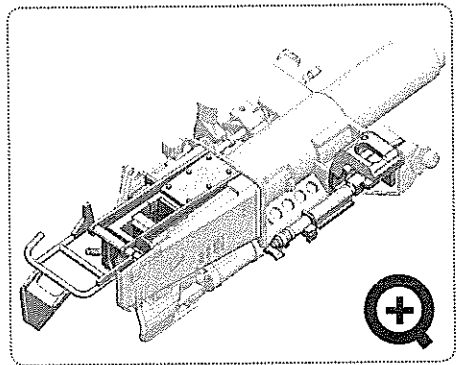
75



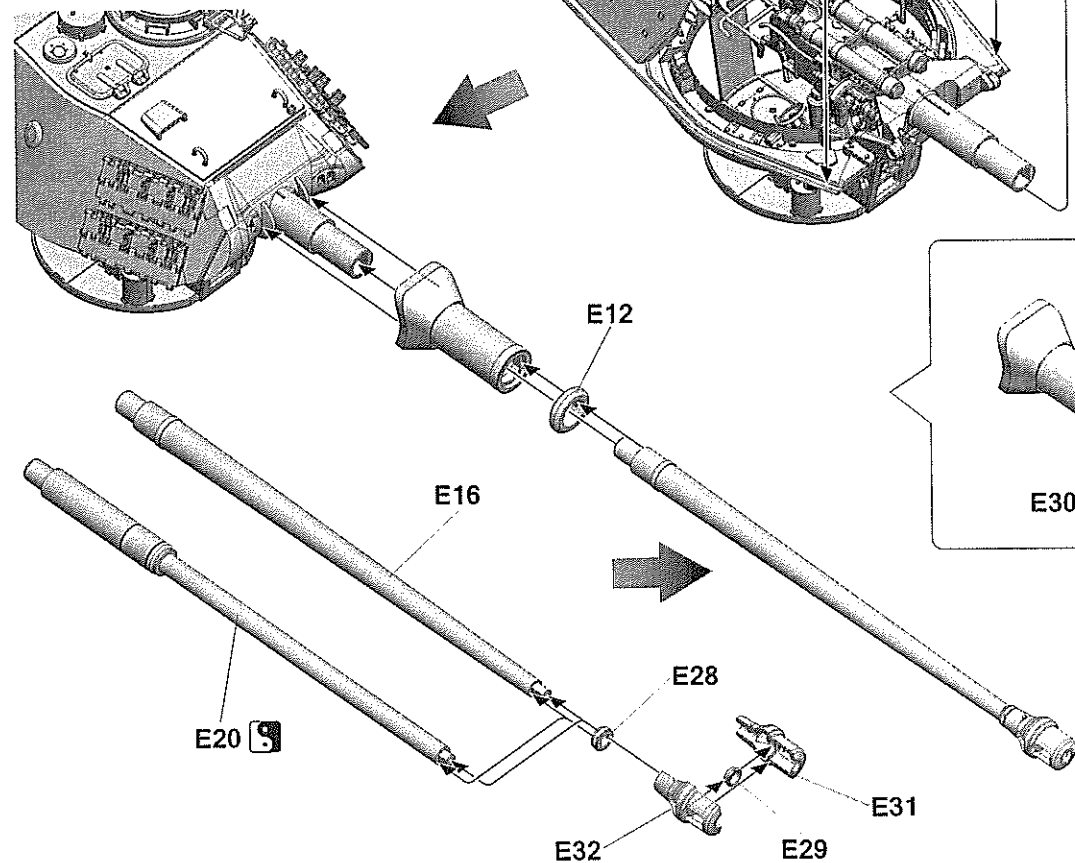
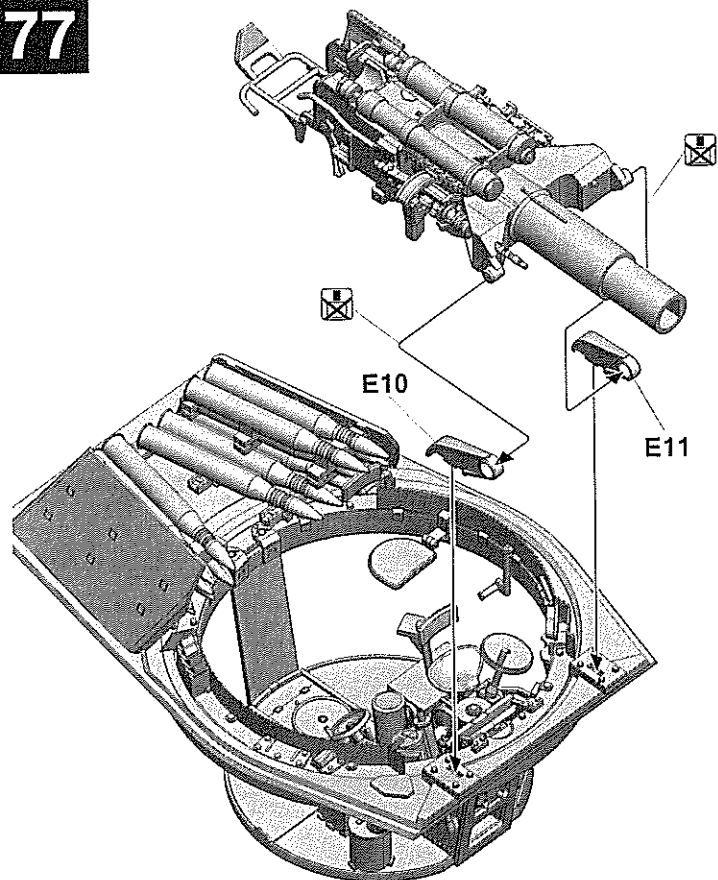
76



78

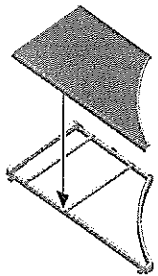


77



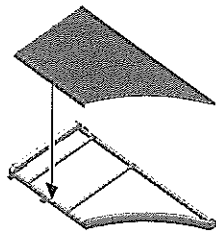
79

TPa-4



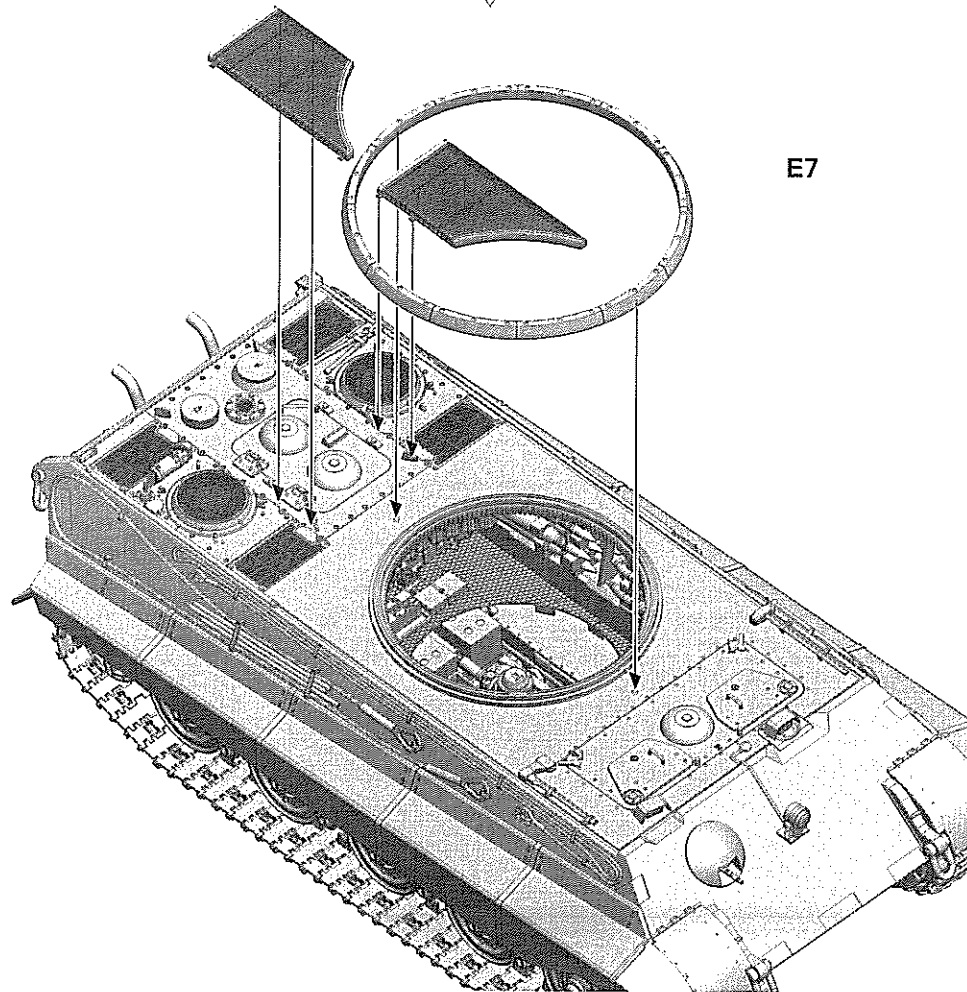
E2

TPa-5

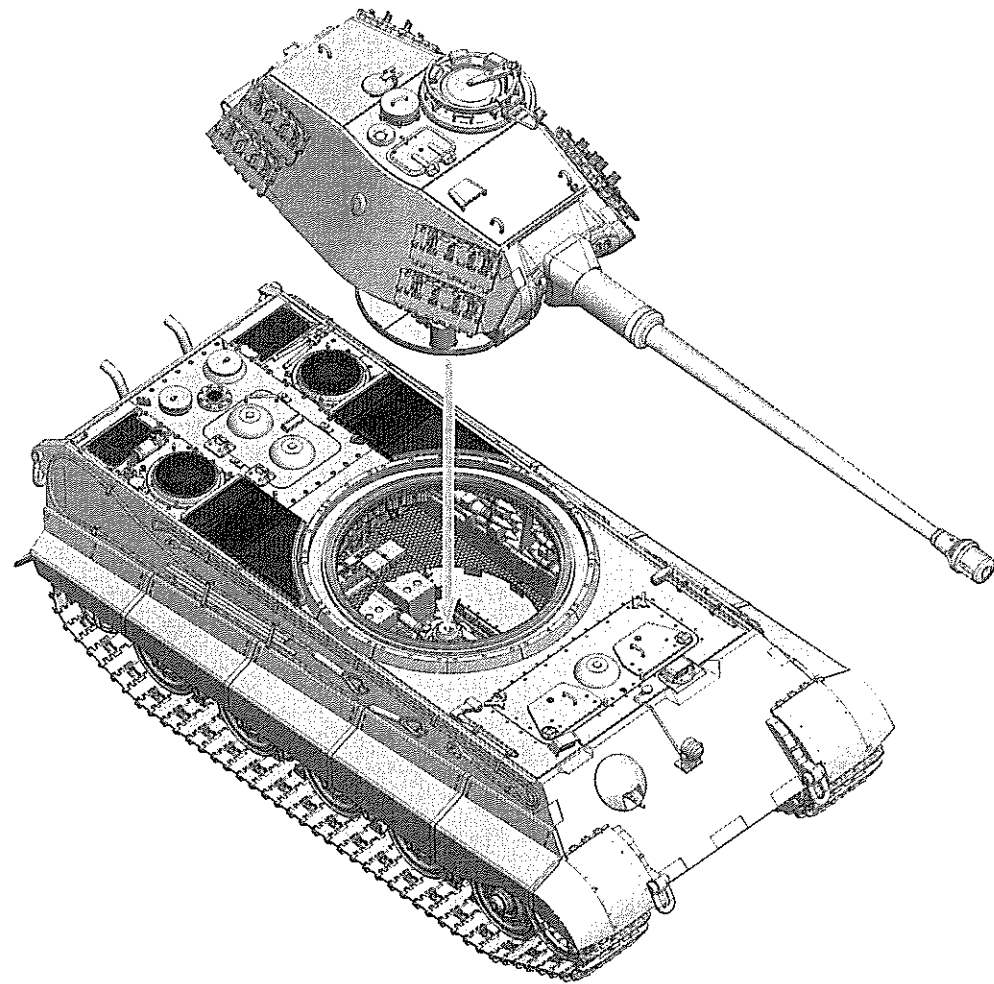


E1

E7



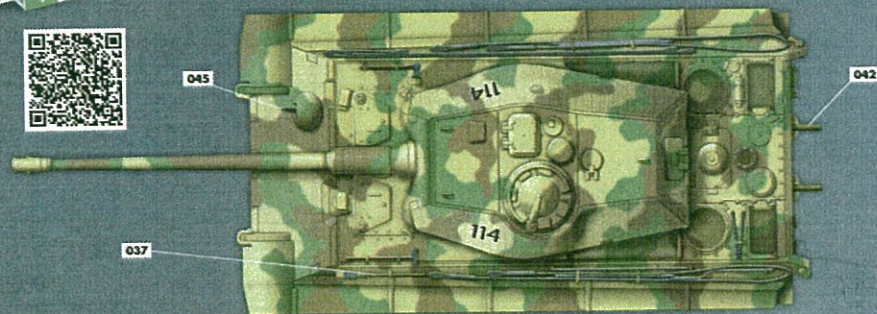
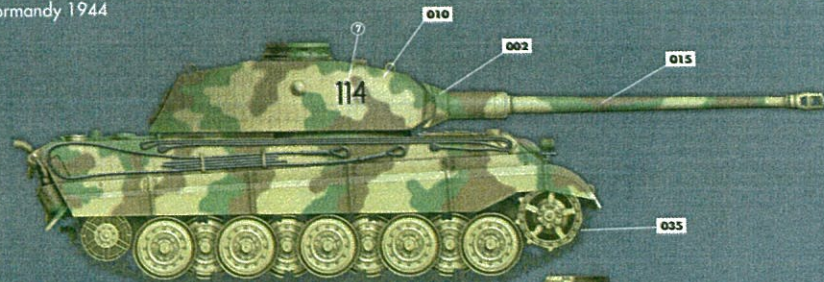
80



Painting and Marking Guide

- A.MIG 002 Olivgrün Opt.2
- A.MIG 010 Dunkelgelb
- A.MIG 015 Schokobraun
- A.MIG 035 Dark Tracks
- A.MIG 037 New Wood
- A.MIG 042 Old Rust
- A.MIG 045 Gun Metal

Tiger Ausf.B, Schwere Heeres panzer abteilung 503, 1st company, Normandy 1944

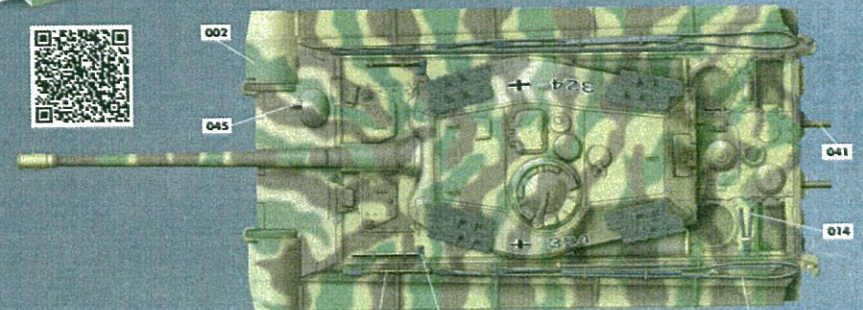
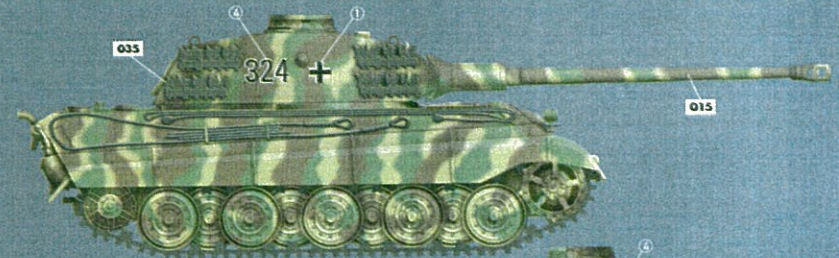


TAKOM Sd.Kfz.182 KingTiger Porsche Turret w/Zimmerit Ref: 2074

Painting and Marking Guide

- A.MIG 014 Rottbraun
- A.MIG 035 Dark Tracks
- A.MIG 036 Old Wood
- A.MIG 037 New Wood
- A.MIG 041 Dark Rust
- A.MIG 045 Gun Metal
- A.MIG 002 Olivgrün Opt.2
- A.MIG 010 Dunkelgelb
- A.MIG 015 Schokobraun

Tiger Ausf.B, 3./s.H.Pz.Abt.503 (no 324), Mailly Le Camp, France 07.1944.



TAKOM Sd.Kfz.182 KingTiger Porsche Turret w/Zimmerit Ref: 2074

03.03.2074



KING TIGER PORSCHE

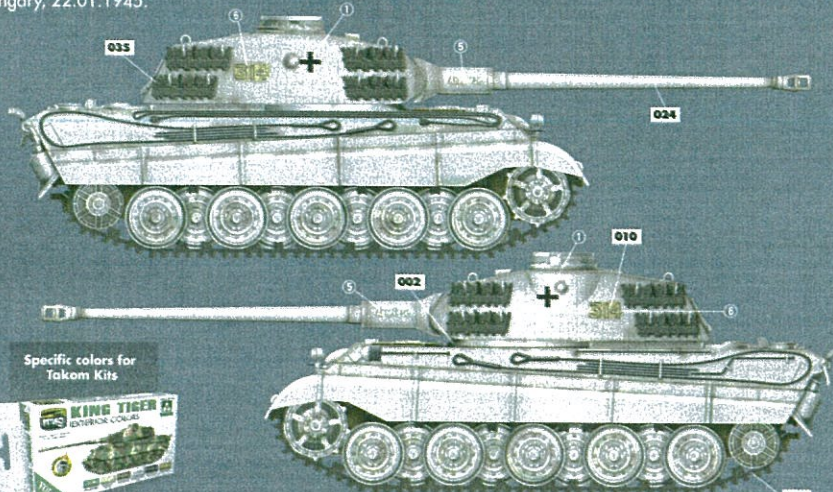
Color info and profiles by



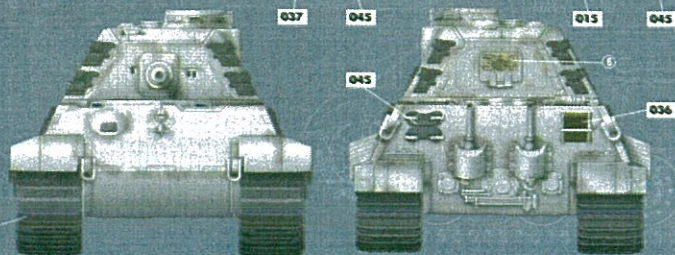
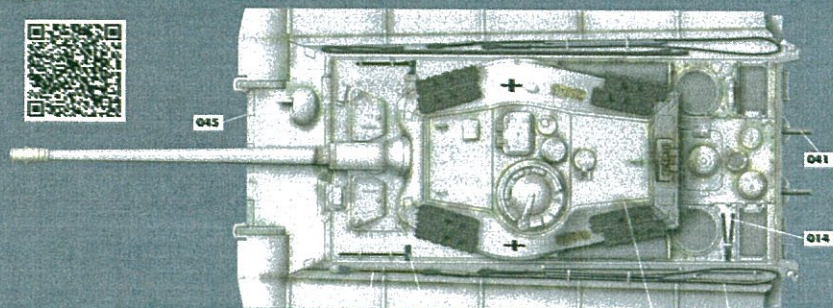
Painting and Marking Guide

A.MIG 014 Rotbraun	A.MIG 033 Dark Tracks	A.MIG 036 Old Wood	A.MIG 037 New Wood
A.MIG 041 Dark Rust	A.MIG 045 Gun Metal	A.MIG 002 Olivgrün Dpt. 2	A.MIG 015 Dunkelgelb
A.MIG 015 Schokobraun	A.MIG 024 Washable White Camo		

Tiger Ausf.B, 3/s.H.Pz.Abl.FHH
(no 314, commander, Uffz Jaeckl),
The area west of Stuhlweissenburg,
Hungary, 22.01.1945.



Specific colors for Takom Kits

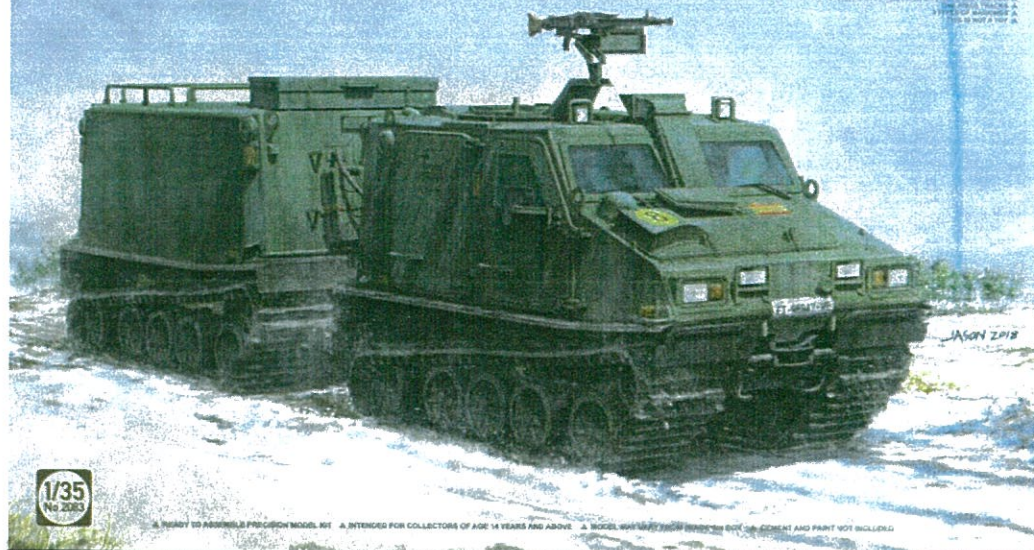


TAKOM Sd.Kfz. 182 KingTiger Porsche Turret w/Zimmerit Ref: 2074



BANDVAGN w/Interior BV 206S

Articulated Armored Personnel Carrier



1/35 No. 235

A READY TO ASSEMBLE PRECISION MODEL KIT. A INTENDING FOR COLLECTORS OF AGE 14 YEARS AND ABOVE. A MODEL WHICH MAY VARY FROM IMAGE ON BOX OR WEBSITE AND PART NOT INCLUDED.

BERGEPANTHER Ausf.A Full Interior Kit

A TRK IS NOT A T21
A DETAILED ATOMIC DISPLAY PLASTIC MODEL
A TRACK ASSEMBLY FOR BASIC WITH THE USE OF A PG
A LINK & TENSION RATTLE TRACKS INCLUDED
A FULL INTERIOR CAN BE BUILT IN ORANGE GLAZED POSITION
A PE INCLUDED
A 6 TYPES OF MAINWIGS



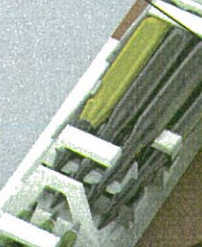
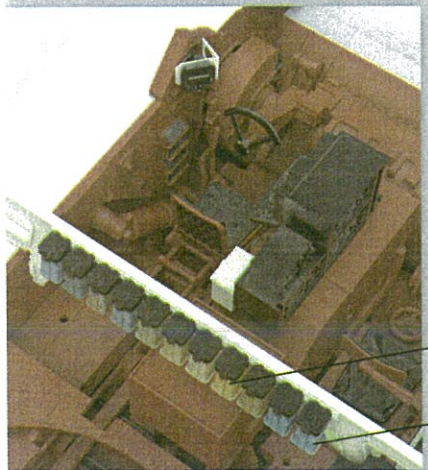
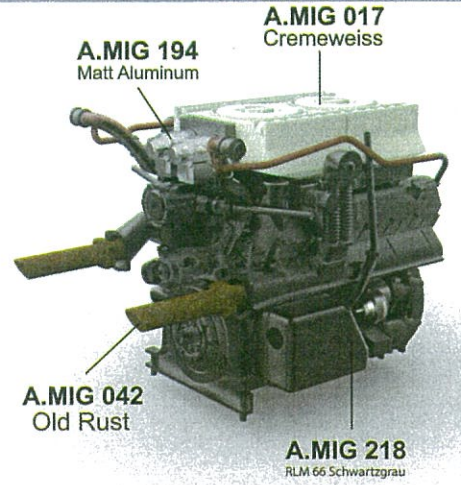
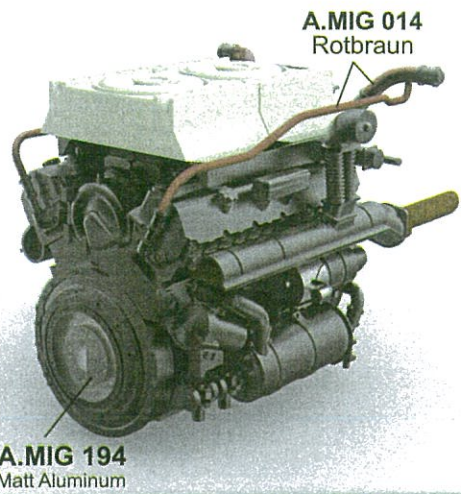
1/35 No. 235

A READY TO ASSEMBLE PRECISION MODEL KIT. A INTENDING FOR COLLECTORS OF AGE 14 YEARS AND ABOVE. A MODEL WHICH MAY VARY FROM IMAGE ON BOX OR WEBSITE AND PART NOT INCLUDED.

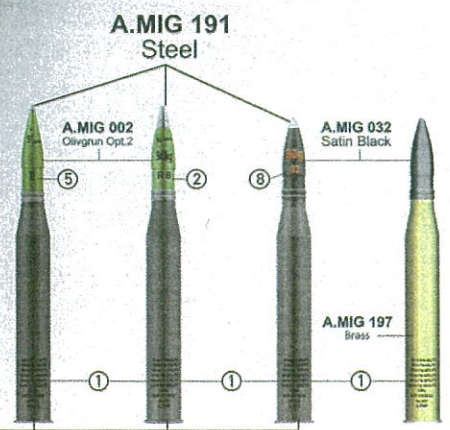


King Tiger

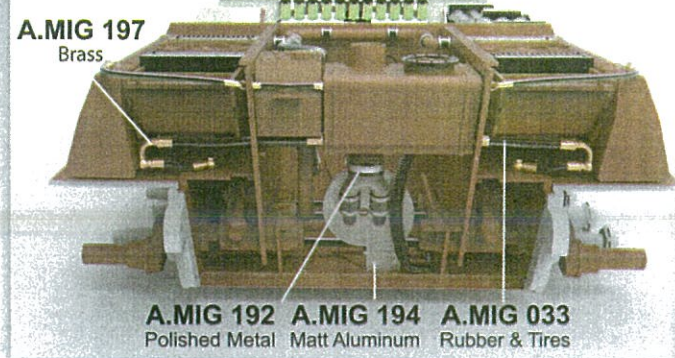
Interior painting instruction



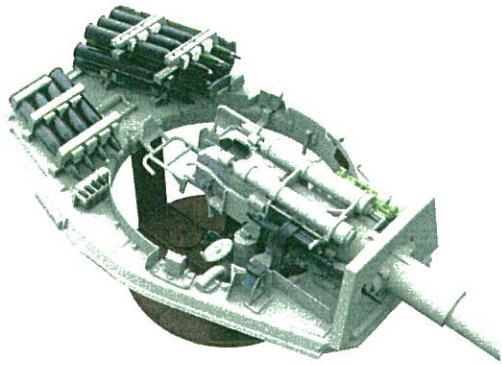
03.03.2045



A.MIG 192 Polished Metal

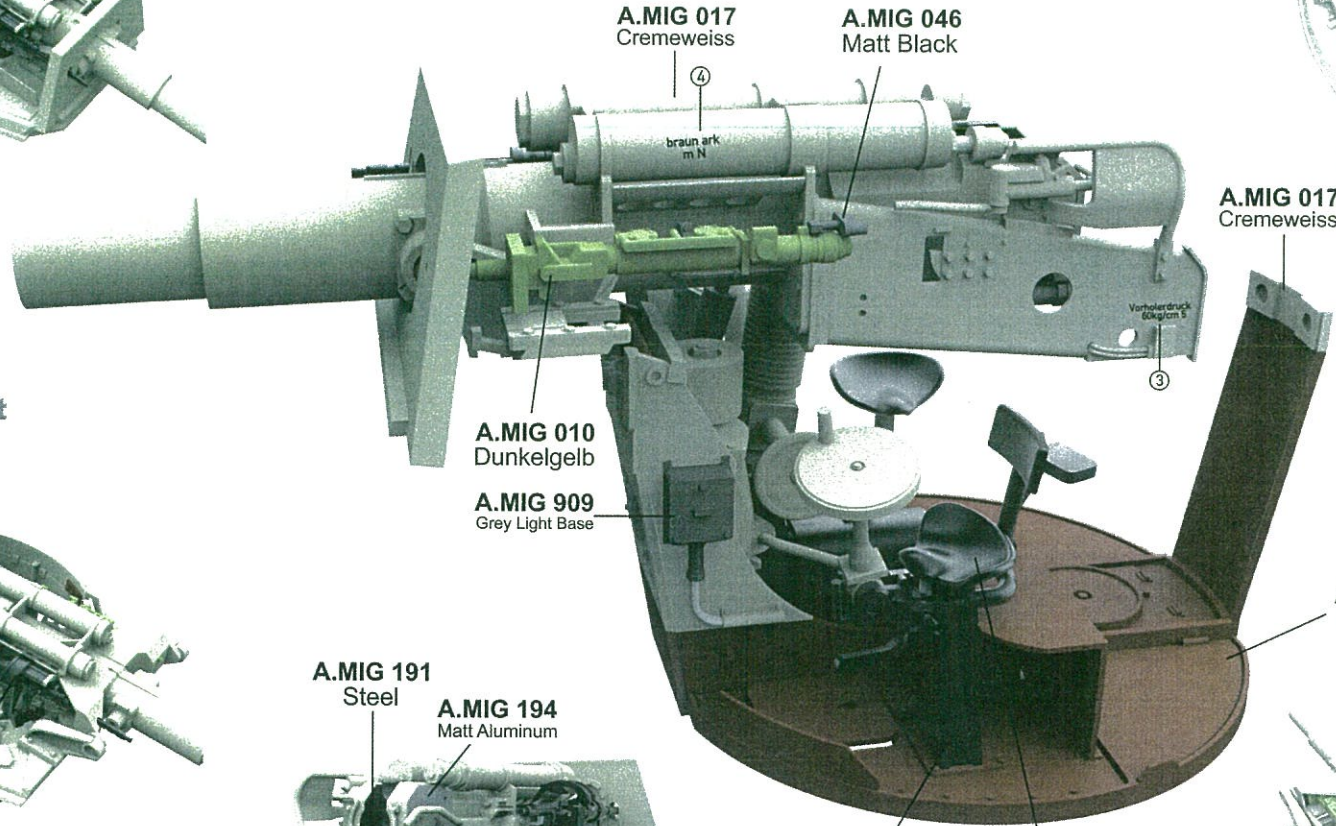


Henschel Turret



King Tiger

Interior painting instruction

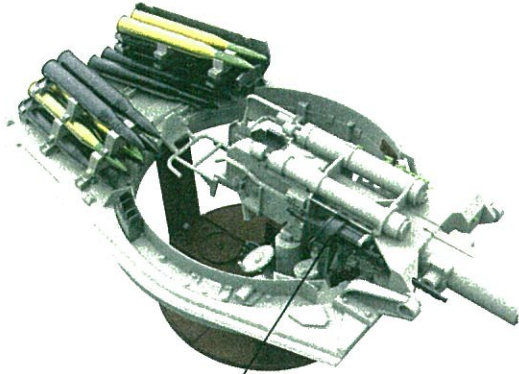


A.MIG 017
Cremeweiss

A.MIG 046
Matt Black

A.MIG 017
Cremeweiss

Porsche Turret



A.MIG 045
Gun Metal

A.MIG 010
Dunkelgelb

A.MIG 909
Grey Light Base

A.MIG 191
Steel

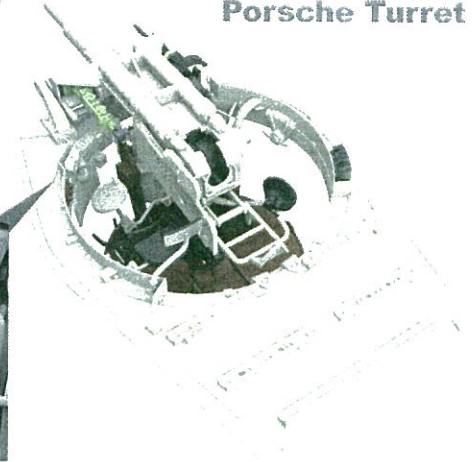
A.MIG 194
Matt Aluminum

A.MIG 014
Rotbraun

A.MIG 032
Satin Black

A.MIG 046
Matt Black

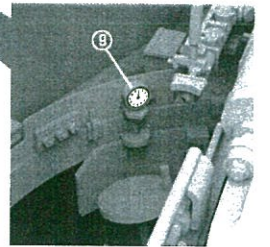
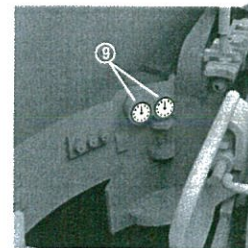
Porsche Turret



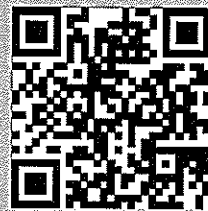
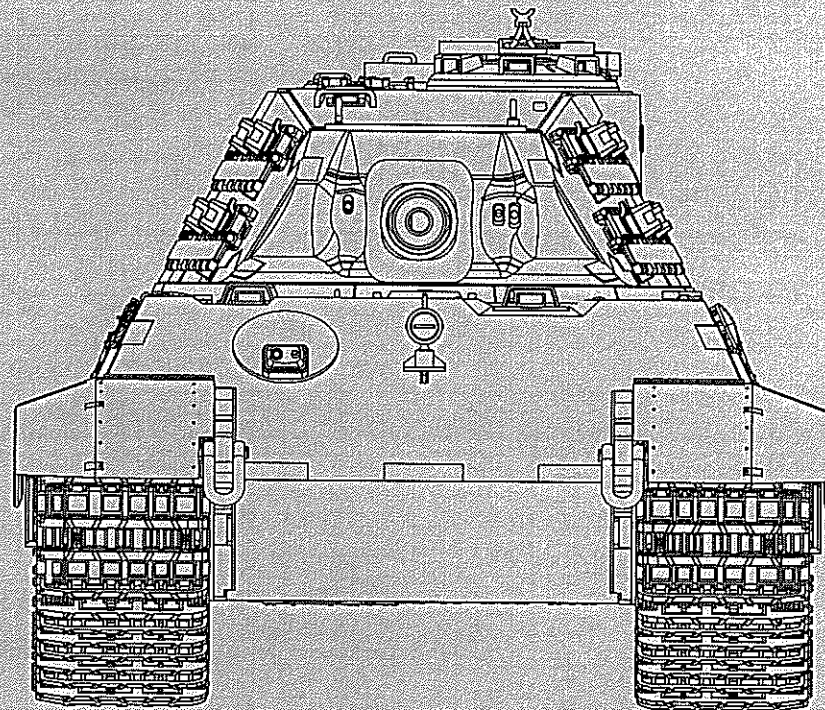
A.MIG 014
Rotbraun

A.MIG 194
Matt Aluminum

A.MIG 032
Satin Black



2016/2074S



You can find TAKOM on Facebook.com