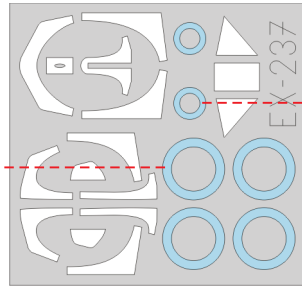


eduard
MASK

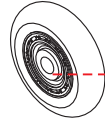
Fw 190A-8

The die-cut mask for accurate canopy frame painting of the
Eduard Weekend 1/48 KIT

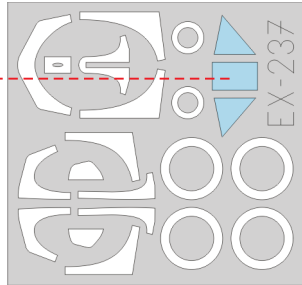
EX 237



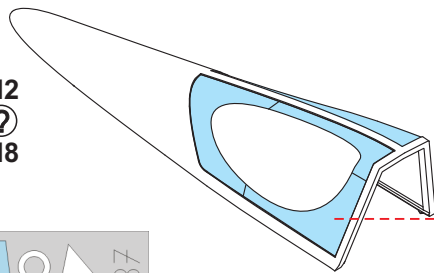
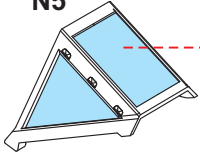
K14



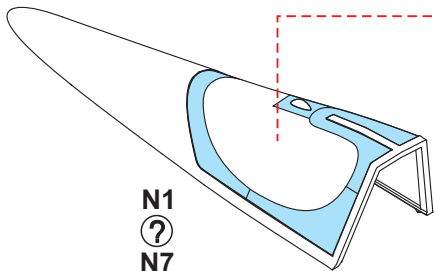
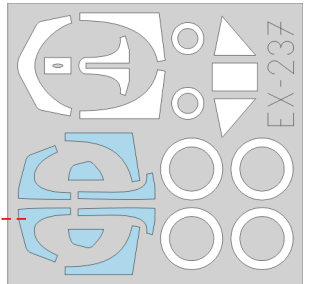
J1
?
J14



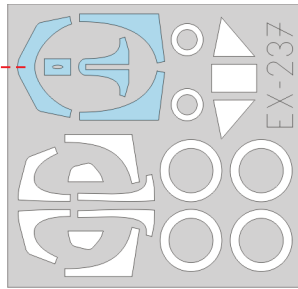
N5



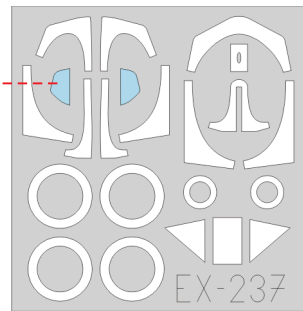
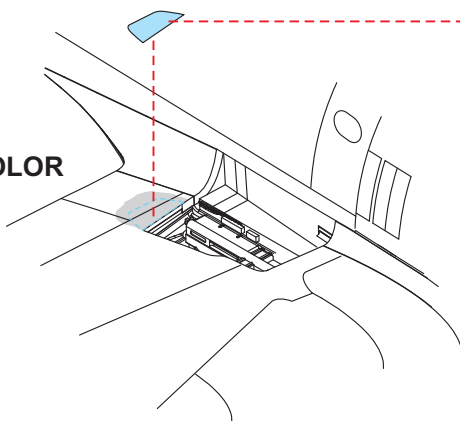
N2
?
N8



N1
?
N7



METAL COLOR



CAMOUFLAGE COLOR

