

Instruction

模型拼裝說明書 · 1:48 Scale



**KITTY
HAWK**

“VooDoo” RF-101C & G/H



F-101C & G/H “巫毒” 双发战斗机

KH80116

READ BEFORE ASSEMBLY

在組合您的模型之前，請充分閱讀本冊說明書。組合模型您需要如下物品（需另購）：模型膠水；一把模型鉗或一把用於將零件從框架上切下的模型筆刀。筆刀同樣可以用來修整零件的合模綫。祝您制作愉快！

Before assembling your model kit, read through these instructions carefully. To assemble this kit, you will need Plastic glue (not include). A pair of side cutter or a sharp modelling knife is required for removing parts from the frame. Plastic mould lines can be removed with the modelling knife.



請注意
Special instructions



隨愛好選擇
Optional



組合完成
Finished Assembly



彎曲
Bend



制作兩組
Make Two



鉗孔
Make Hole



塗色
Painting



無需膠粘
Do Not Cement



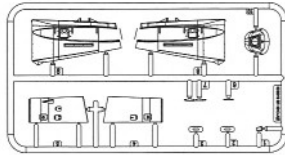
切除
Cut



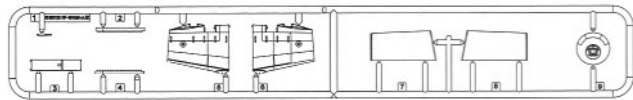
對側
Opposite

部品圖 Part

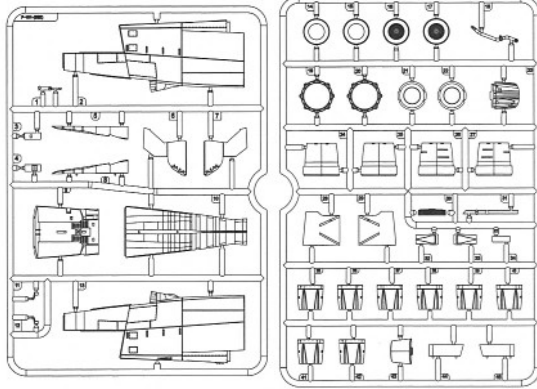
A



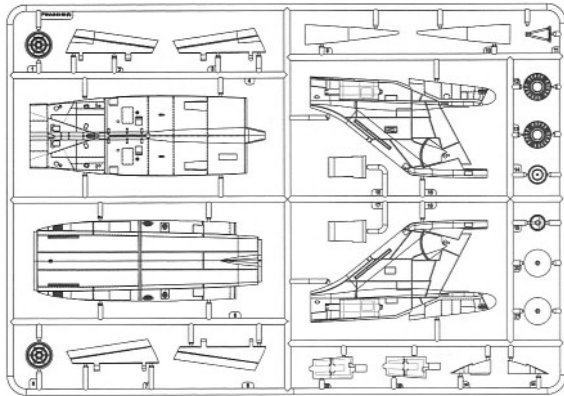
A1



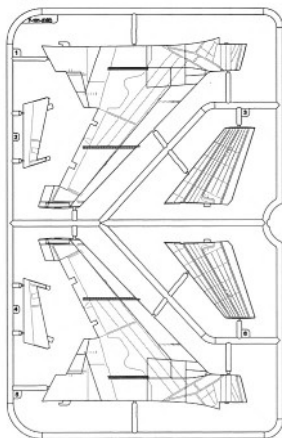
B



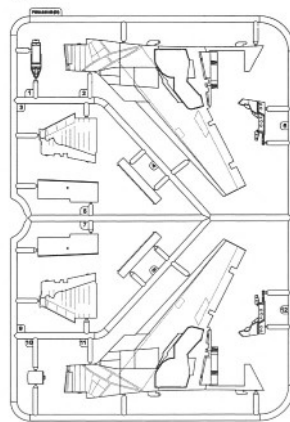
C



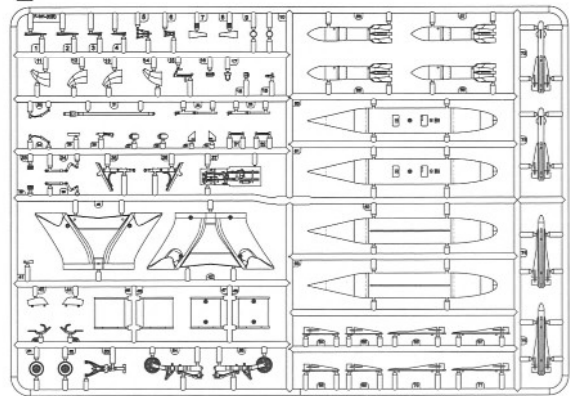
D



D1



E

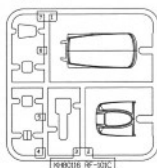


《水貼紙A》
Decal A

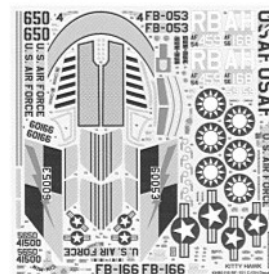
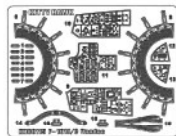
GP



GP1

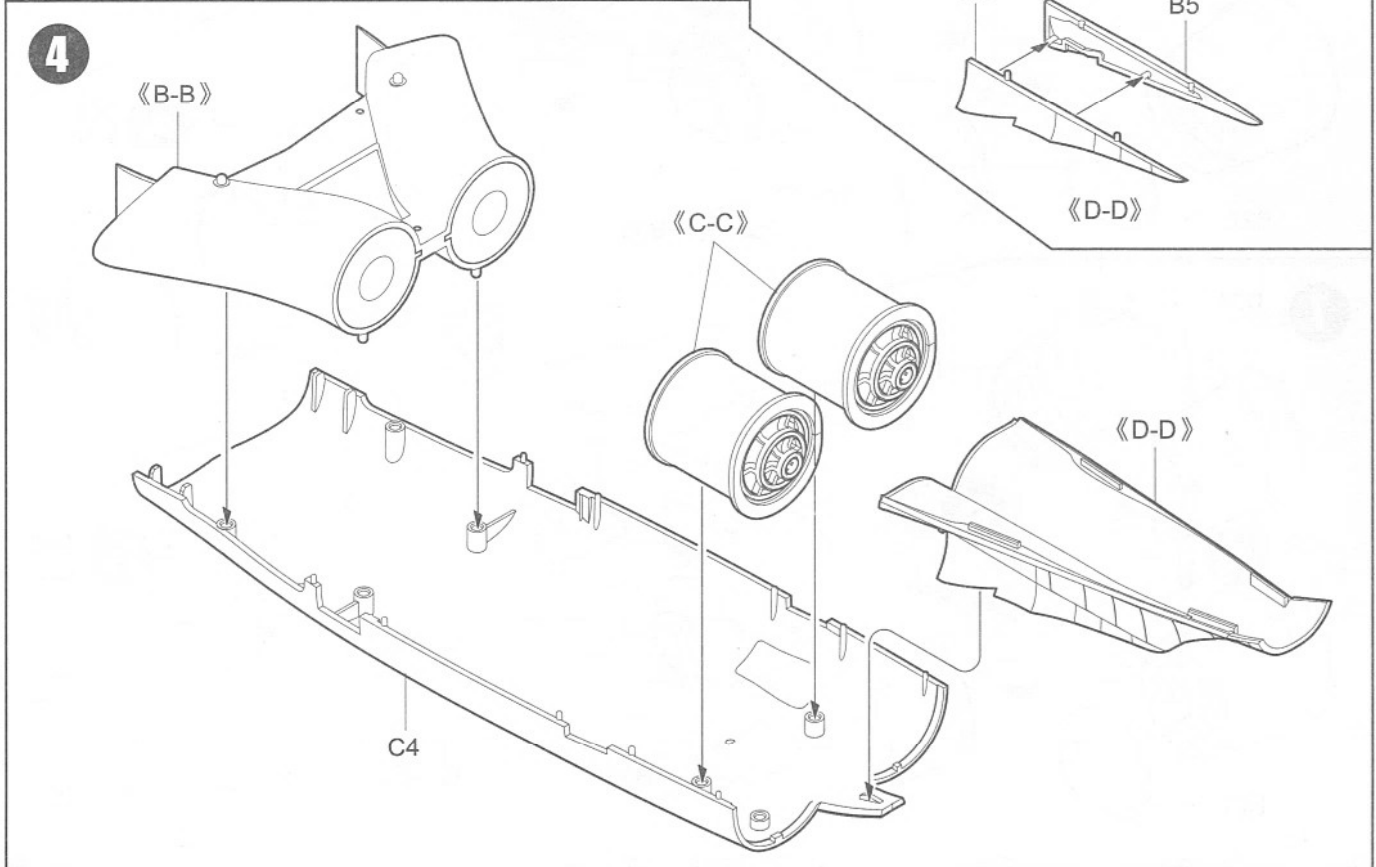
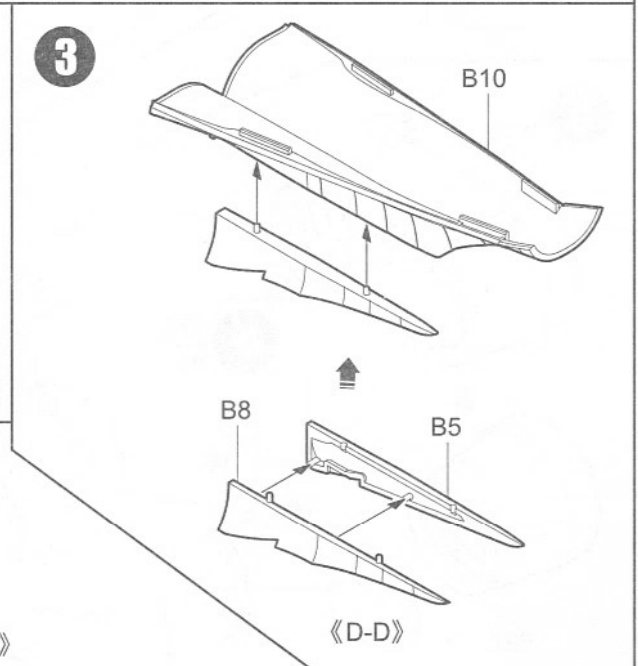
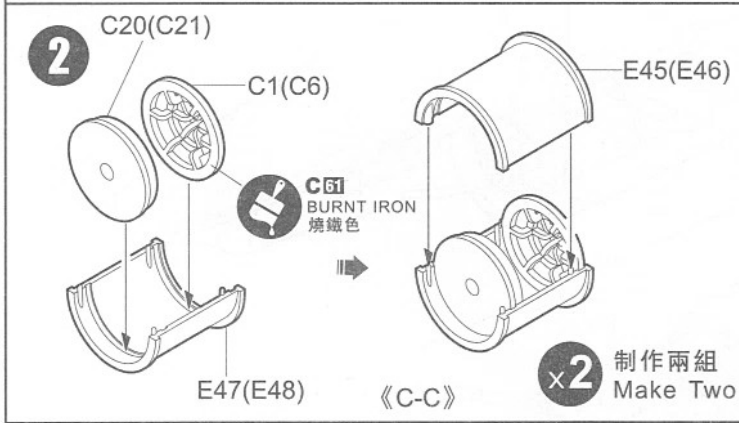
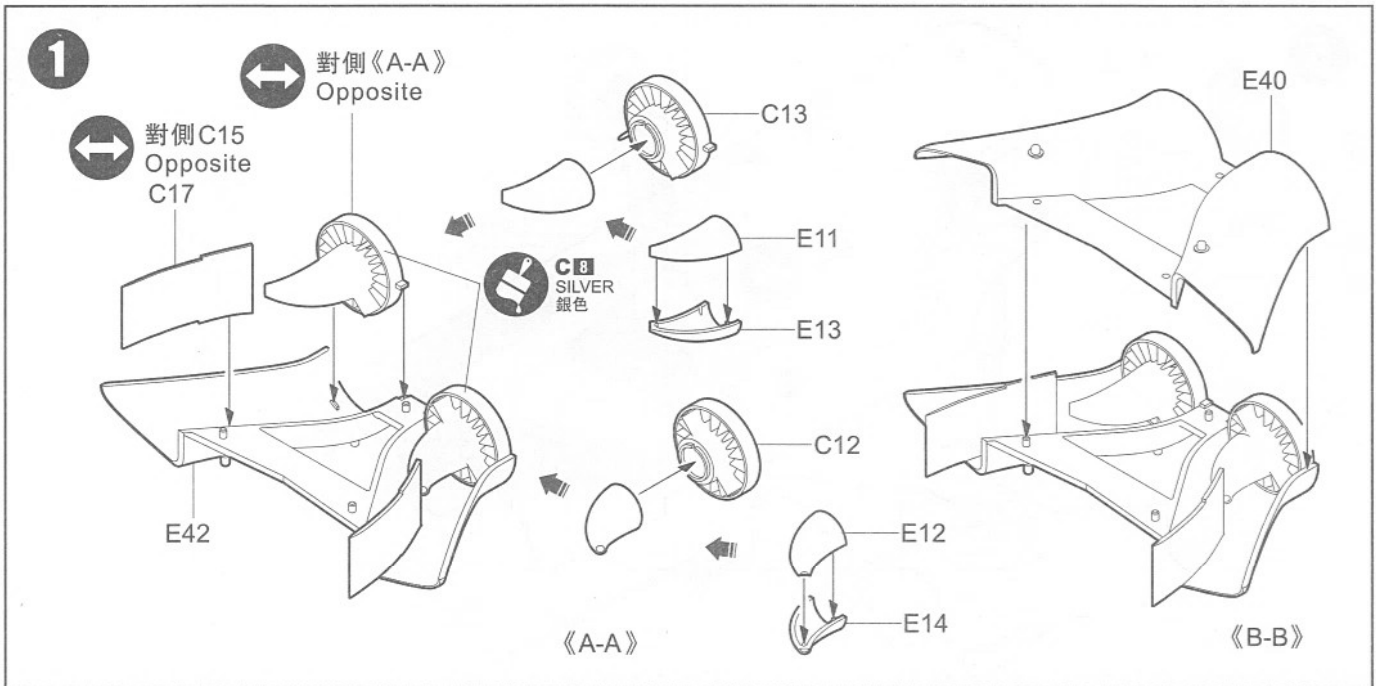


《蚀刻片》
PE

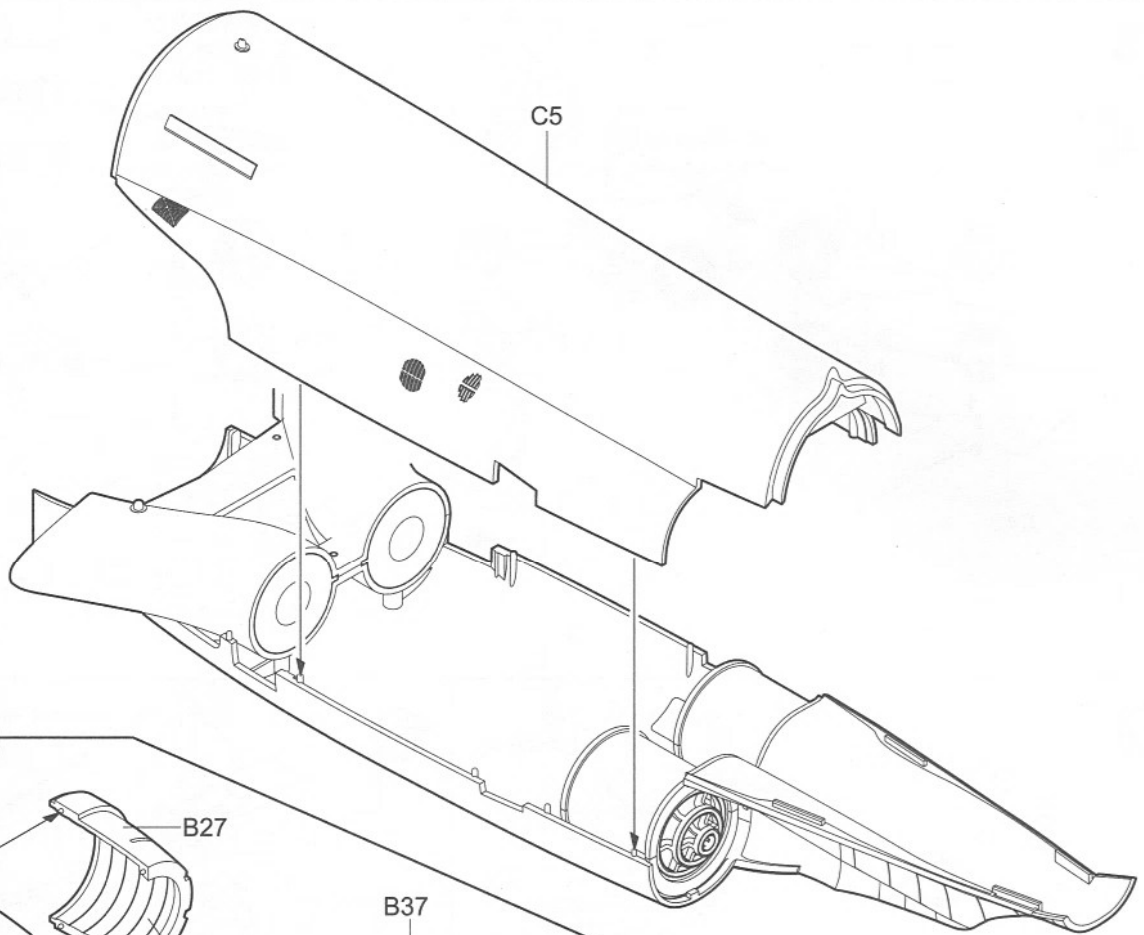


《水貼紙B》
Decal B

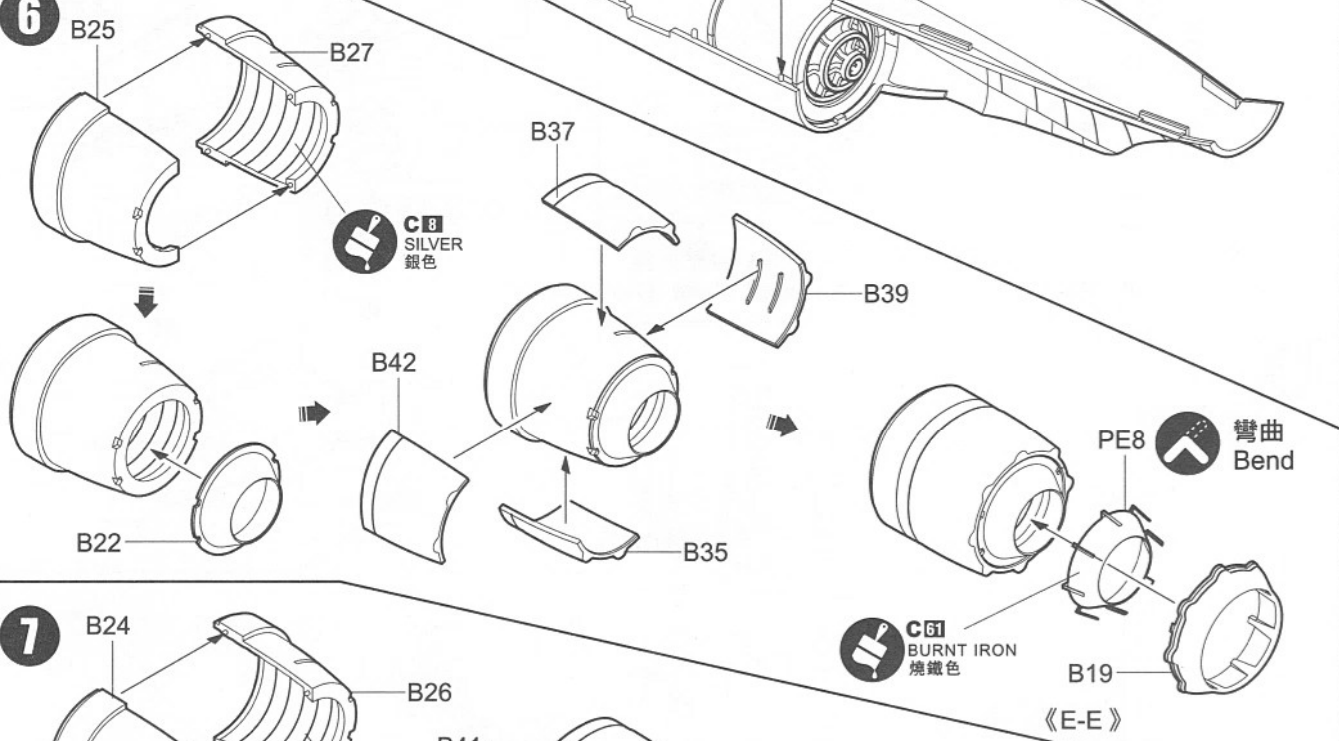




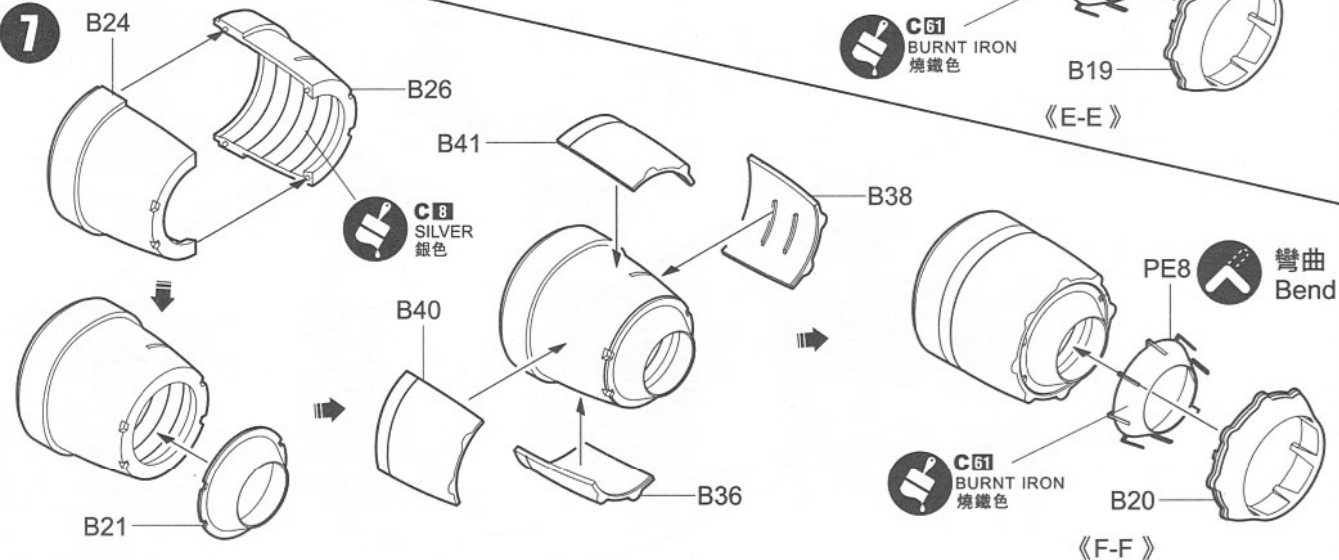
5



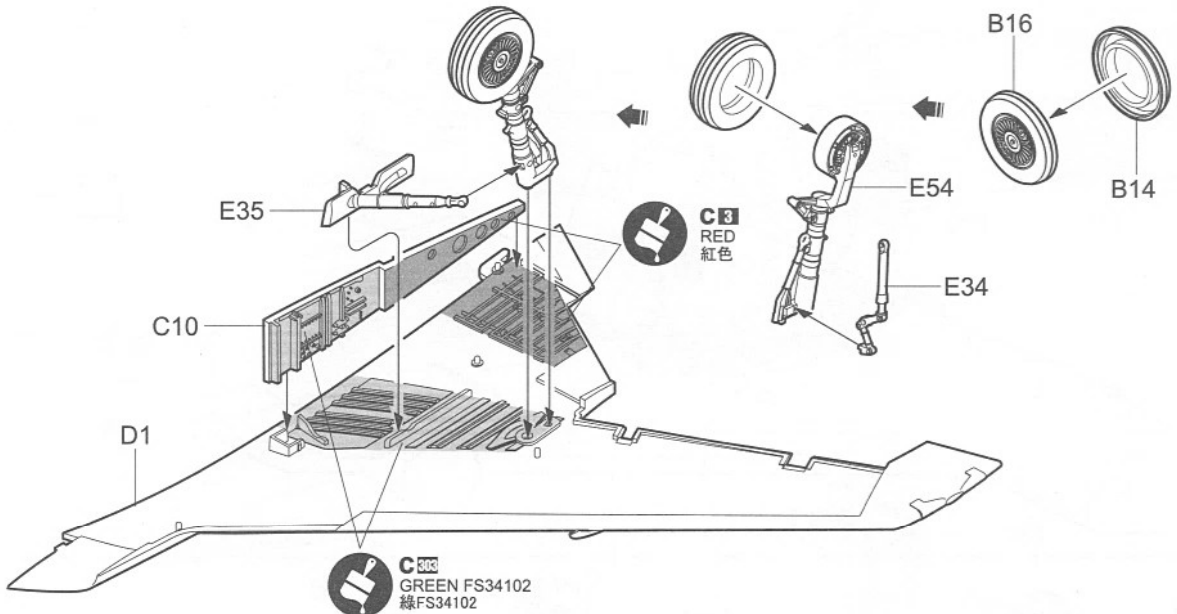
6



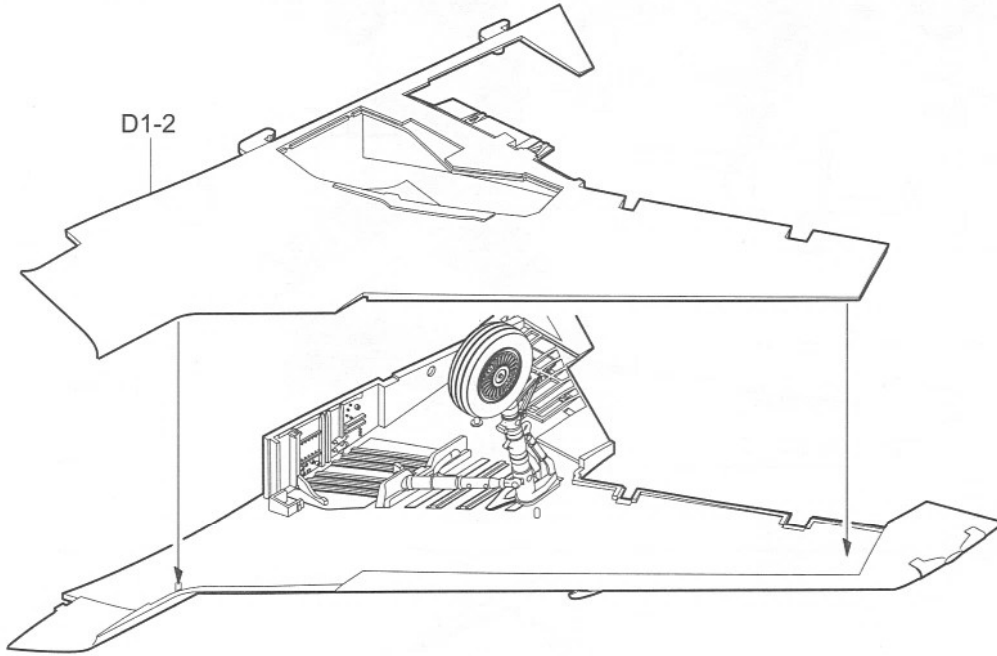
7



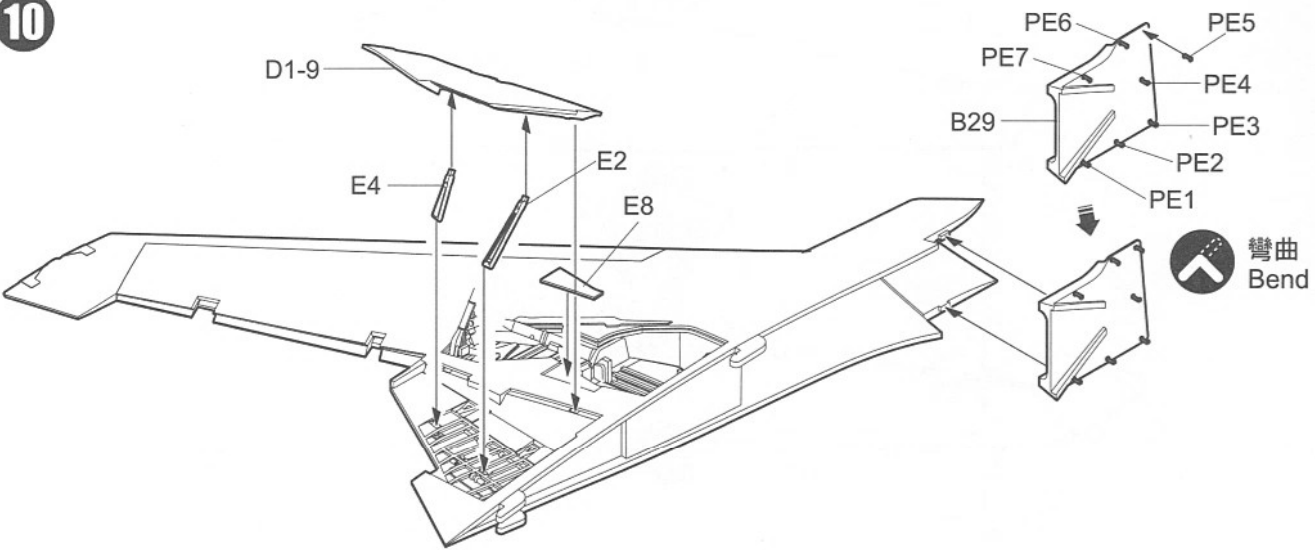
8



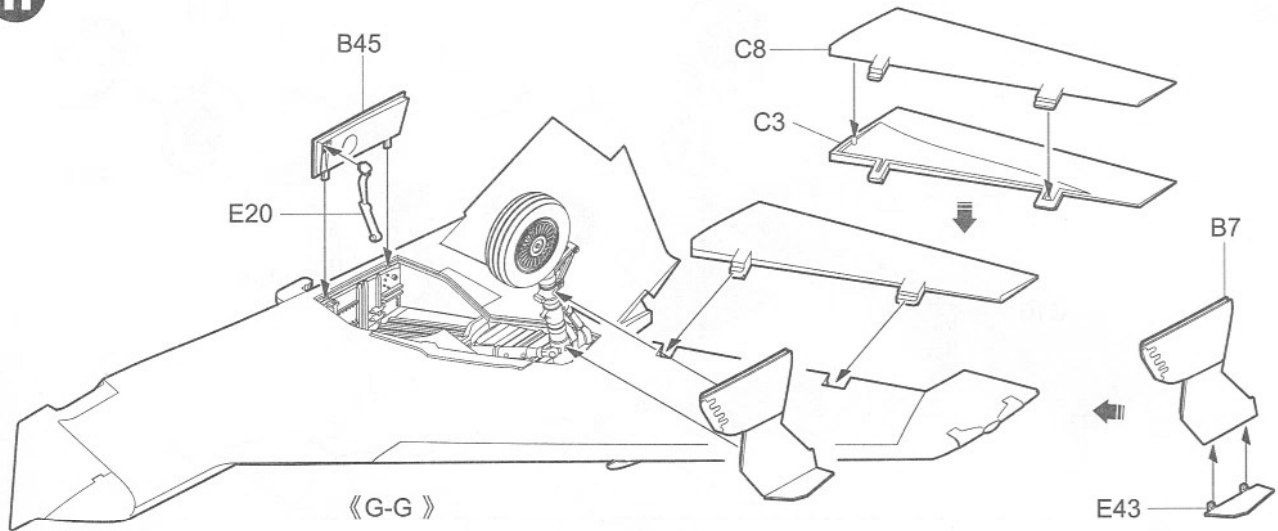
9



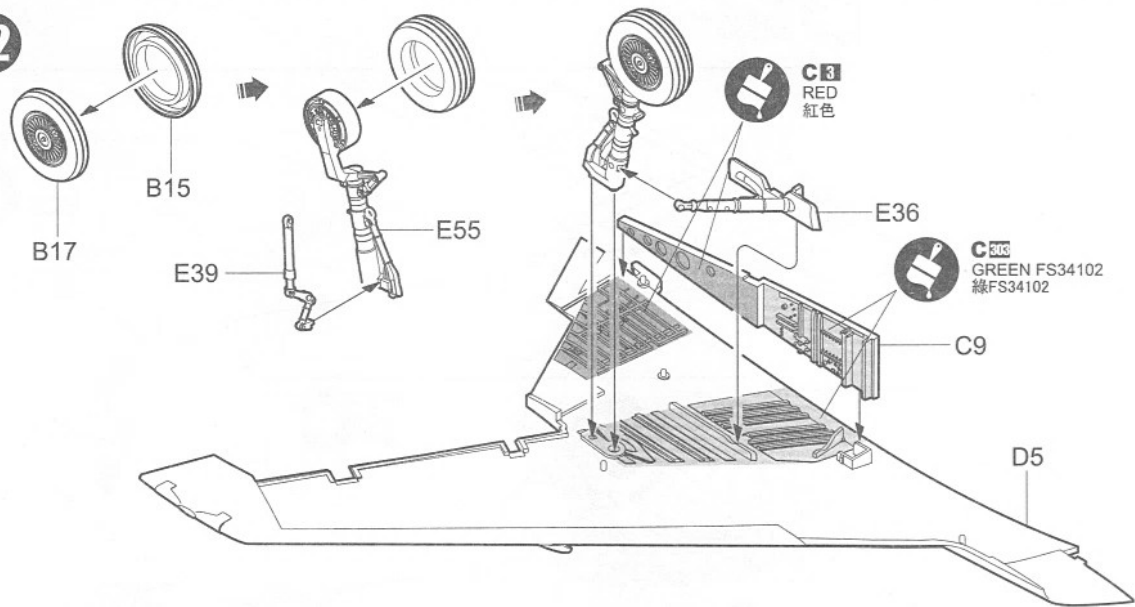
10



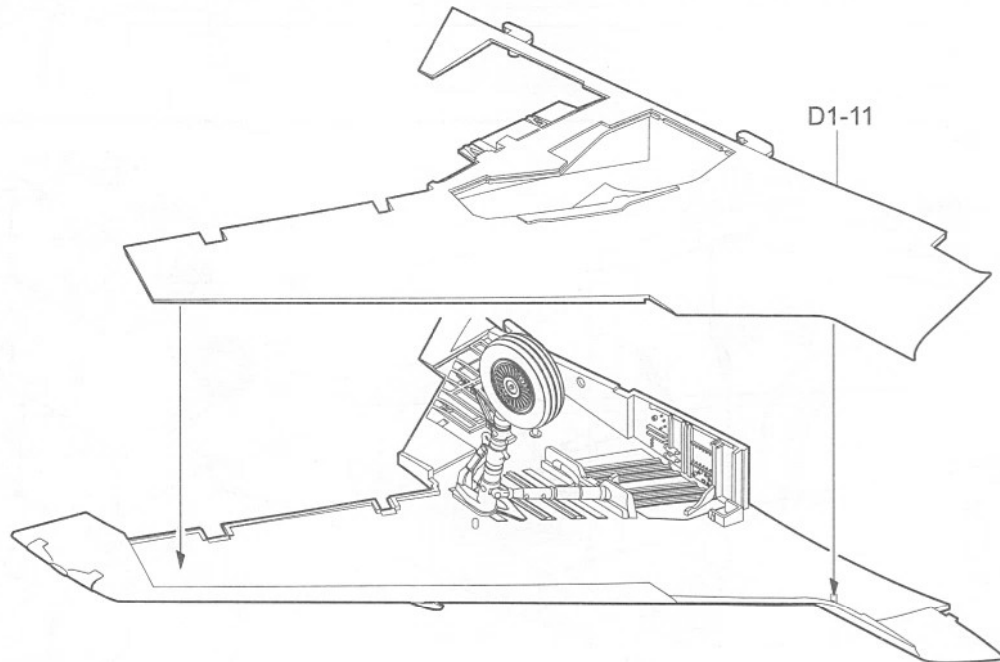
11



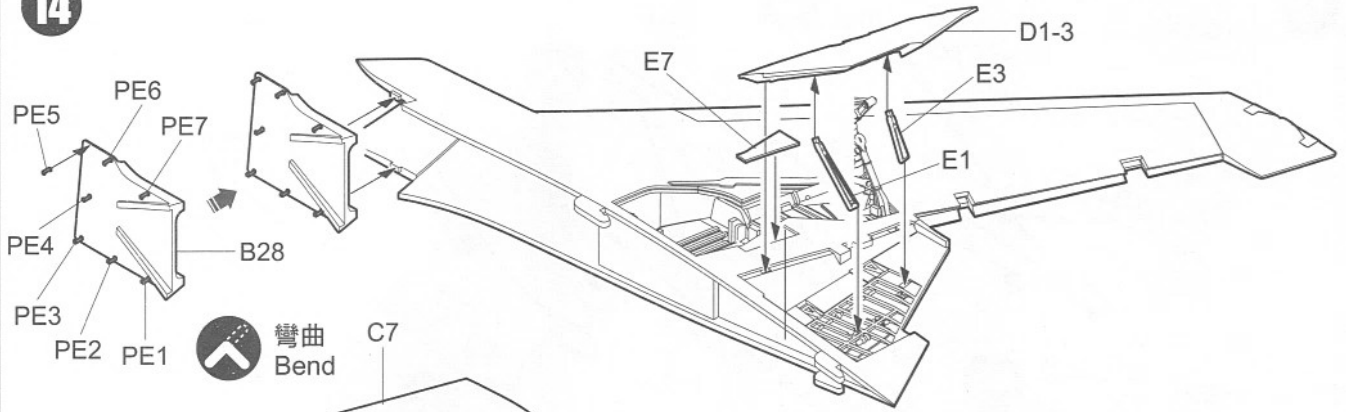
12



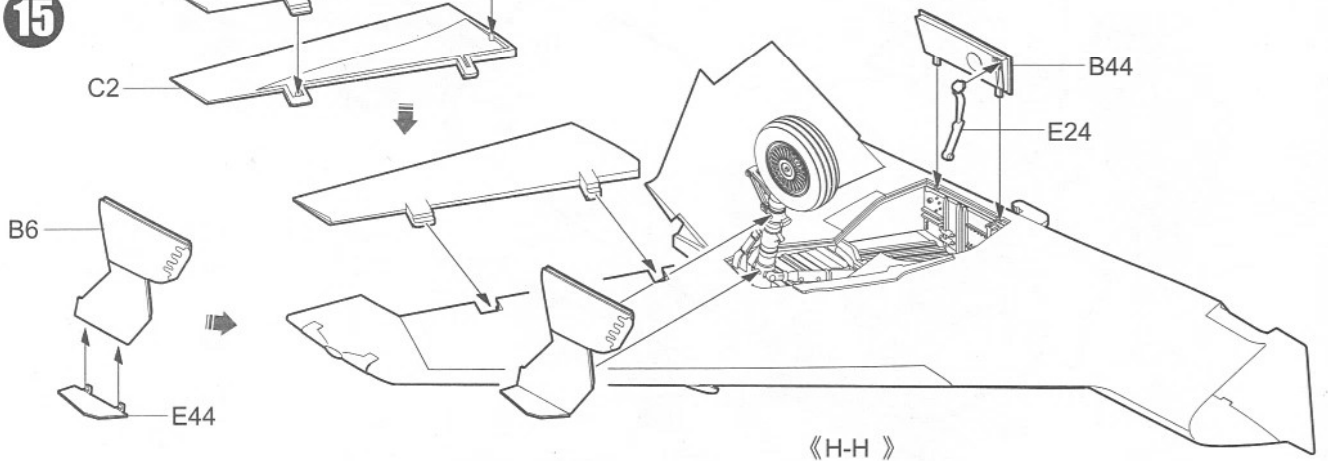
13



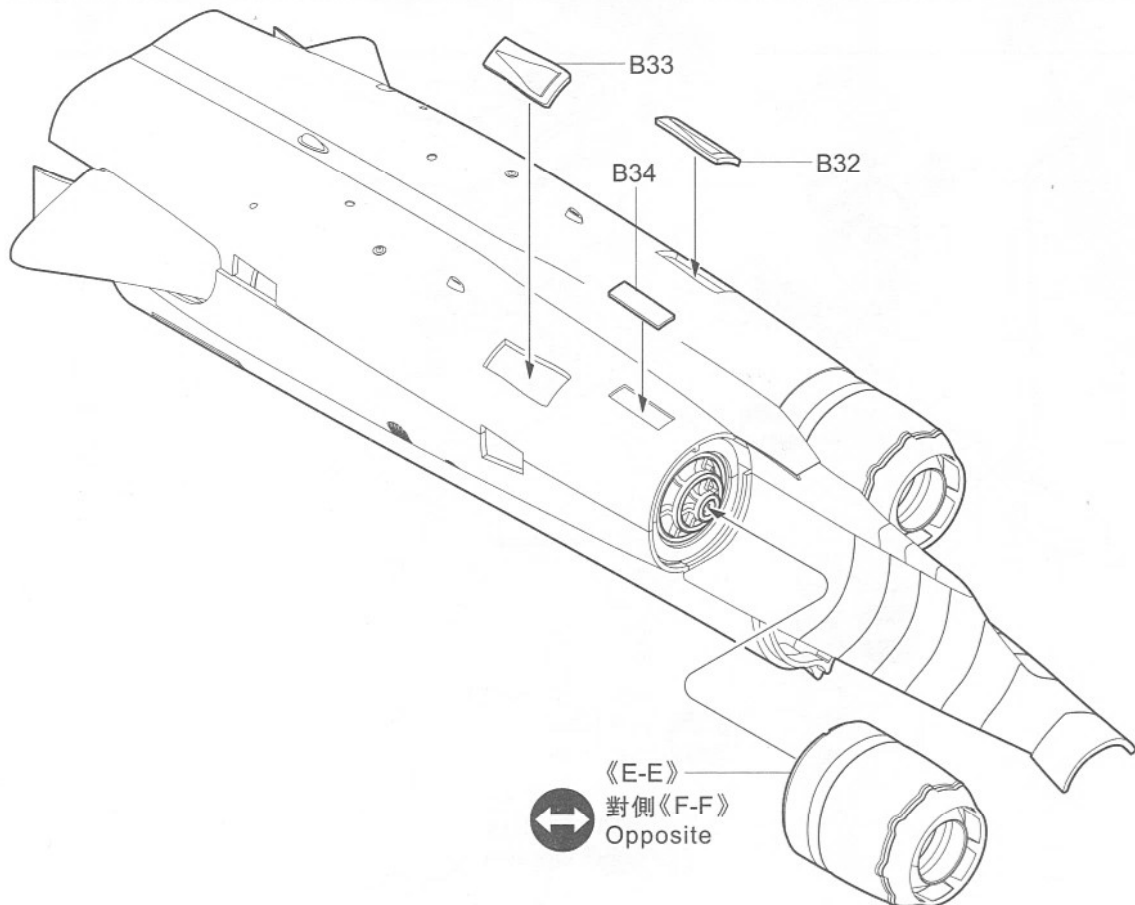
14



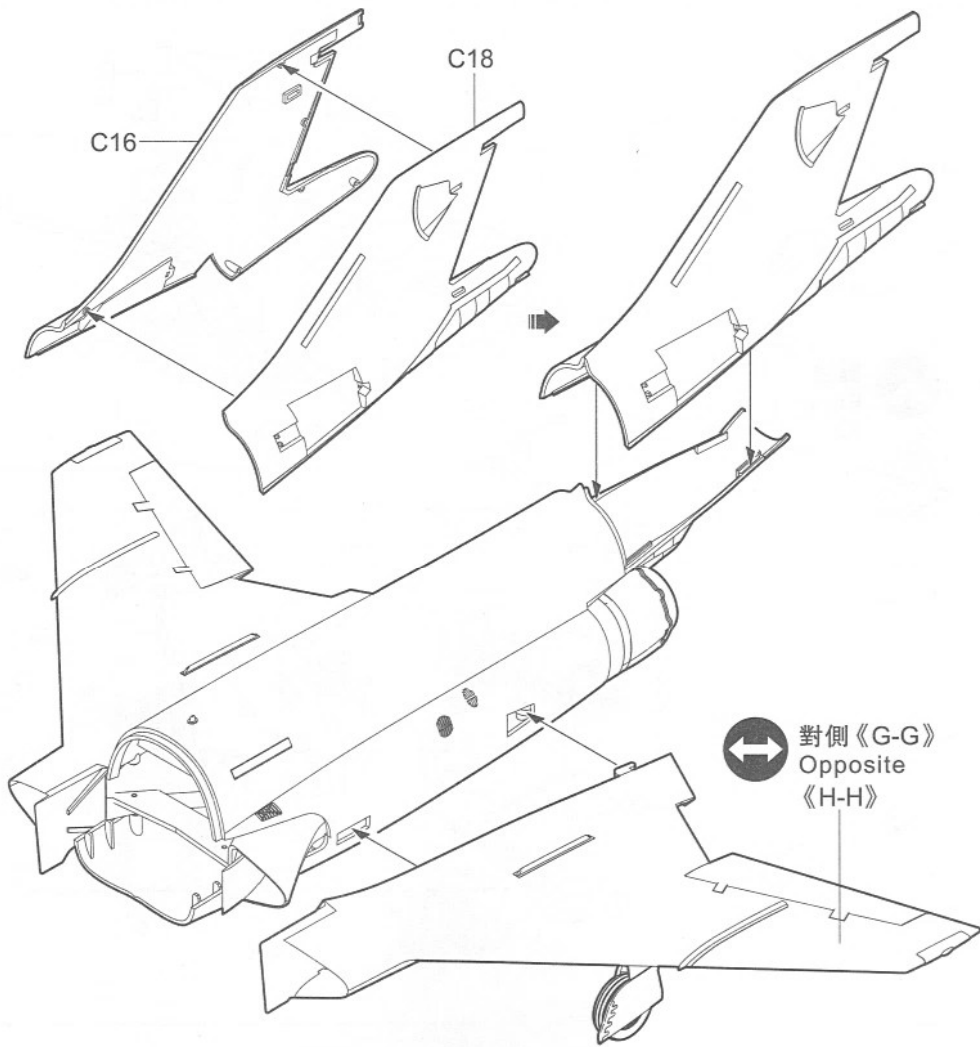
15



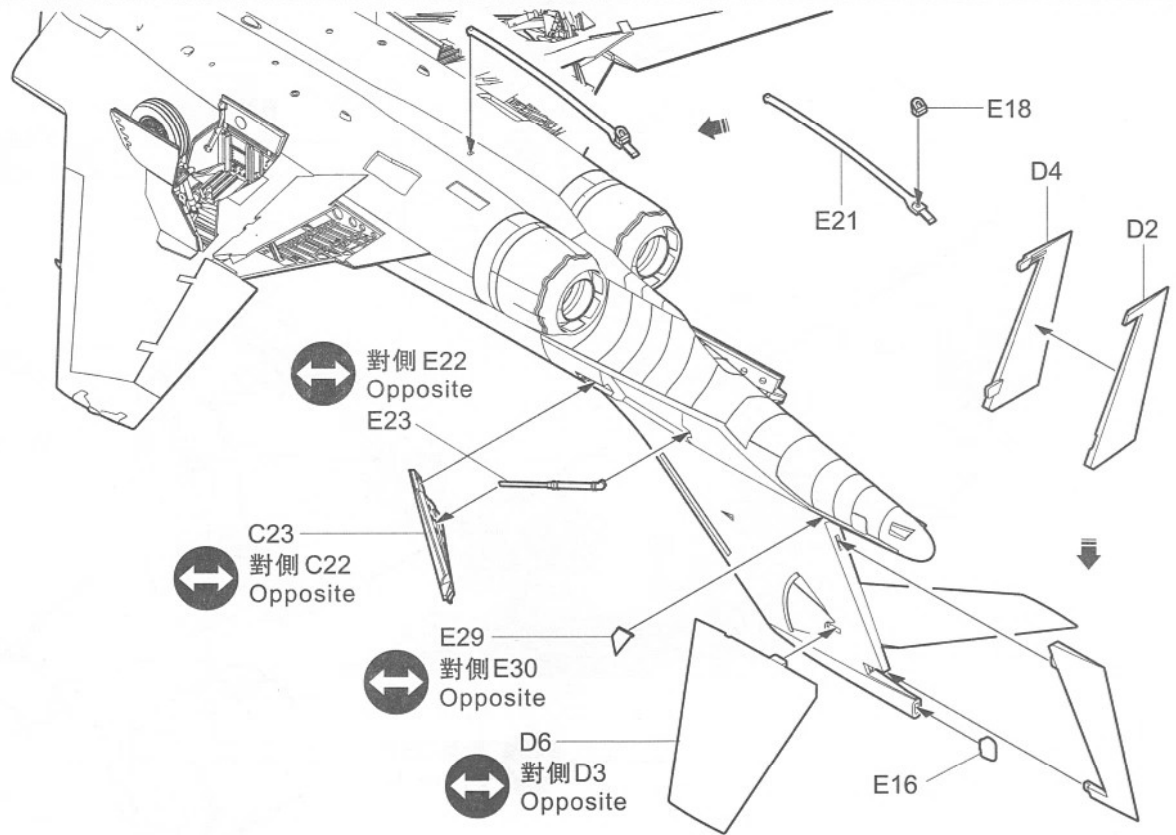
16



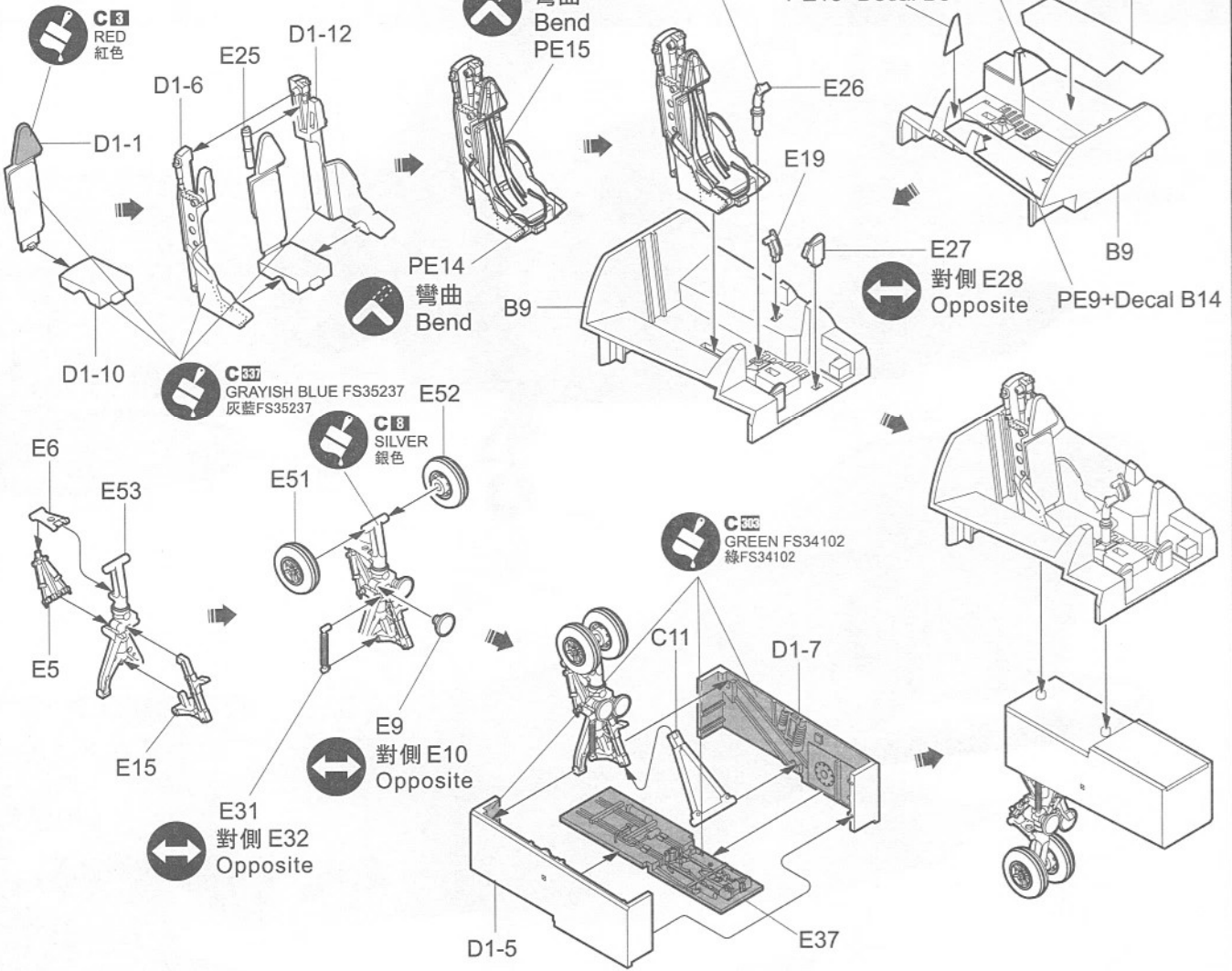
17



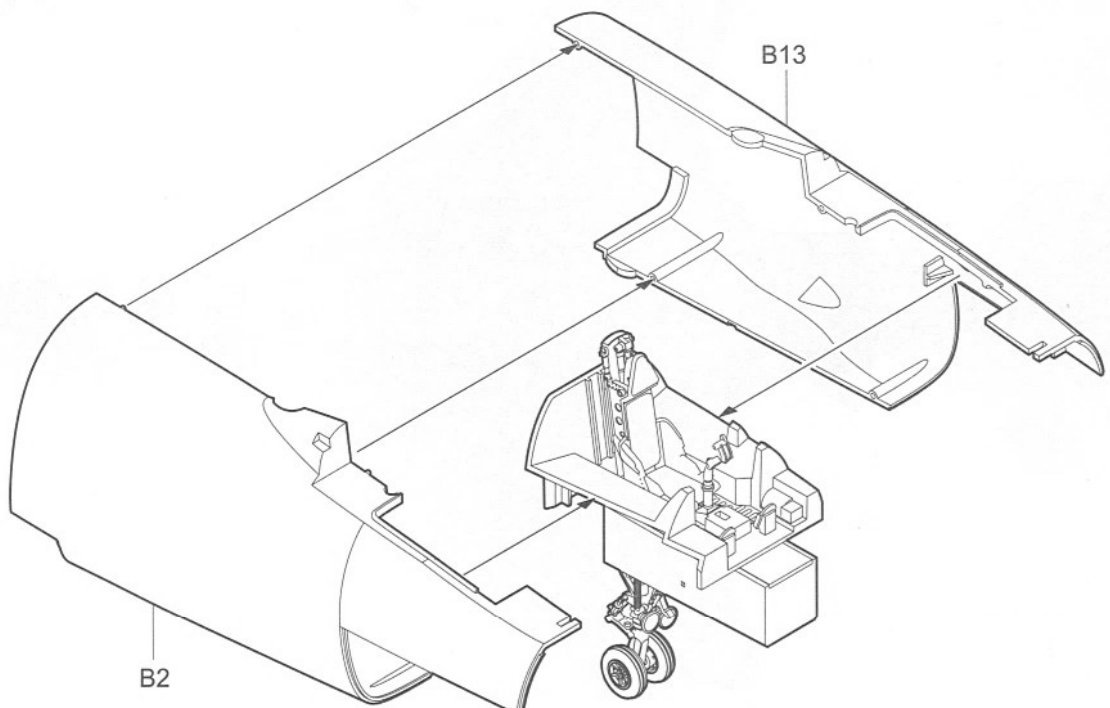
18



19



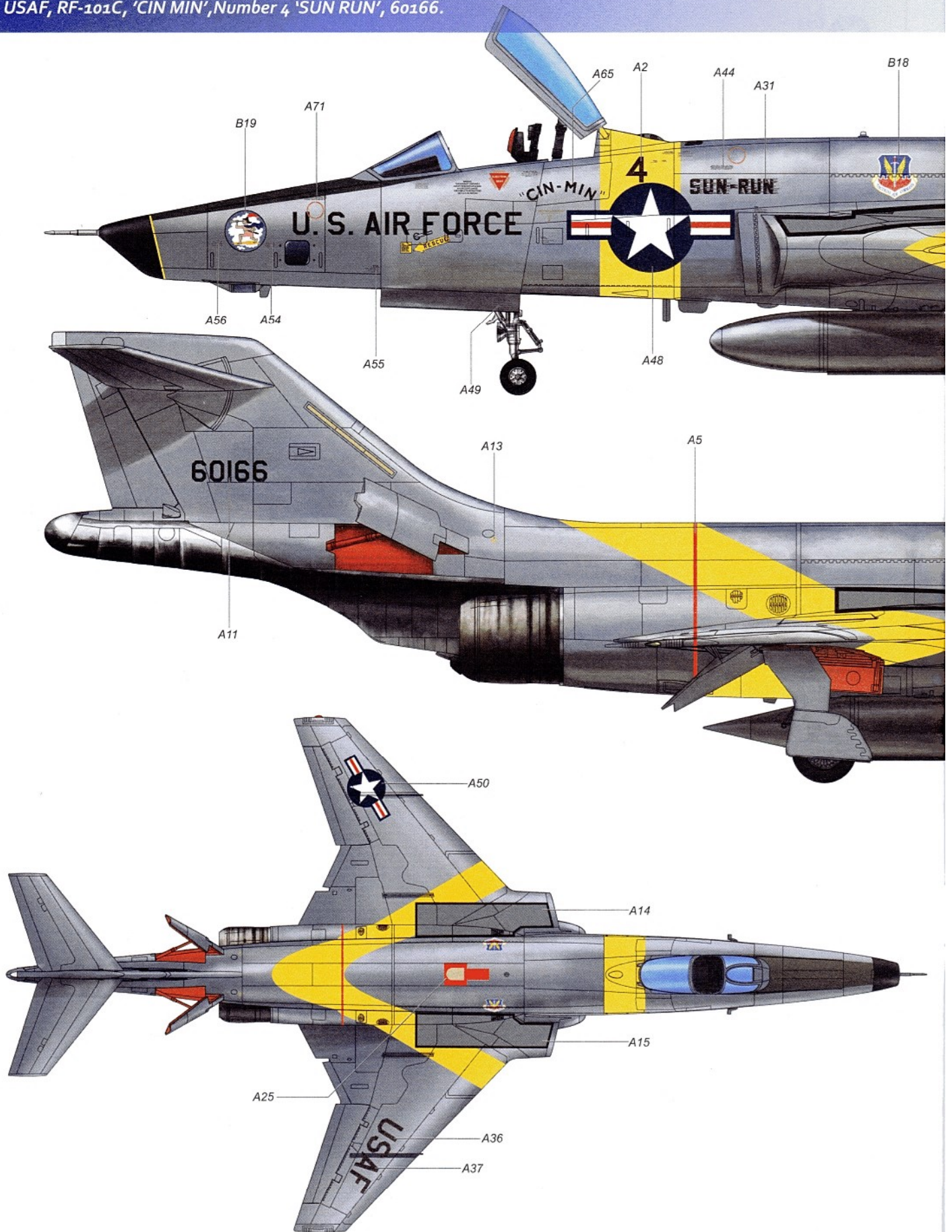
20

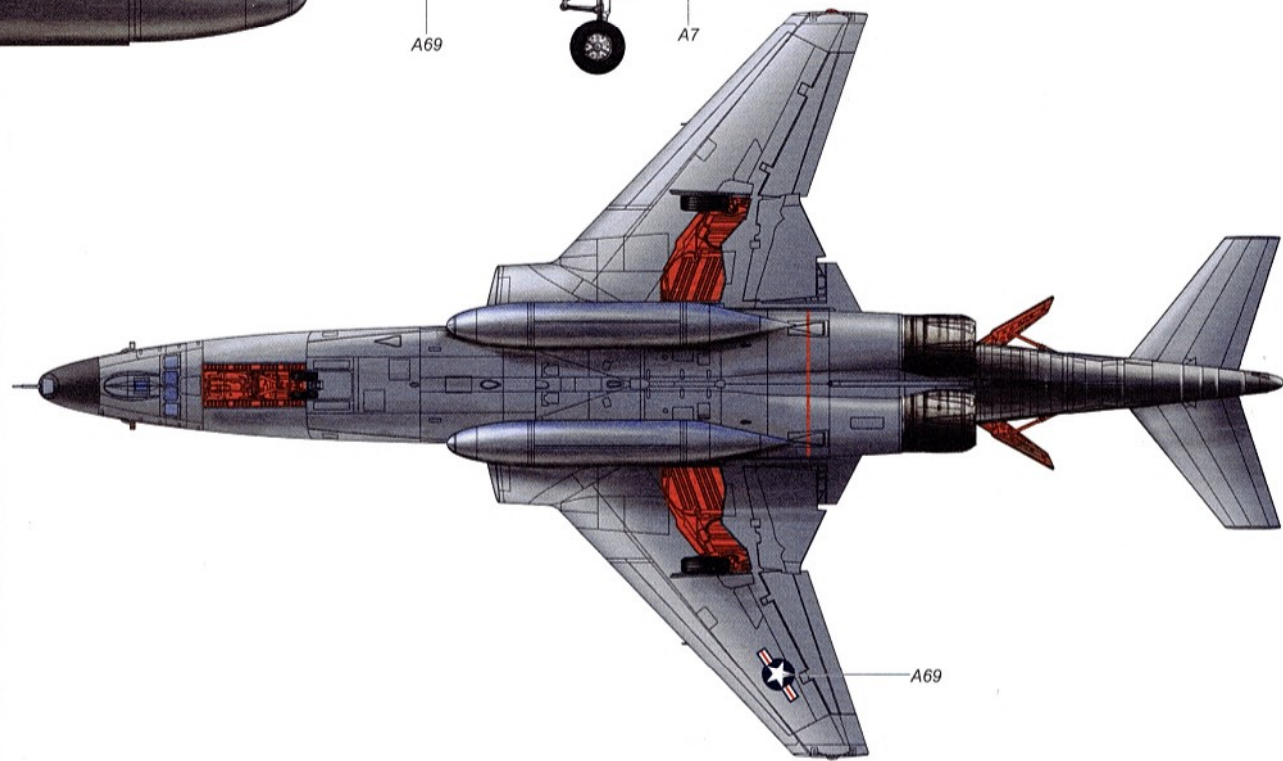
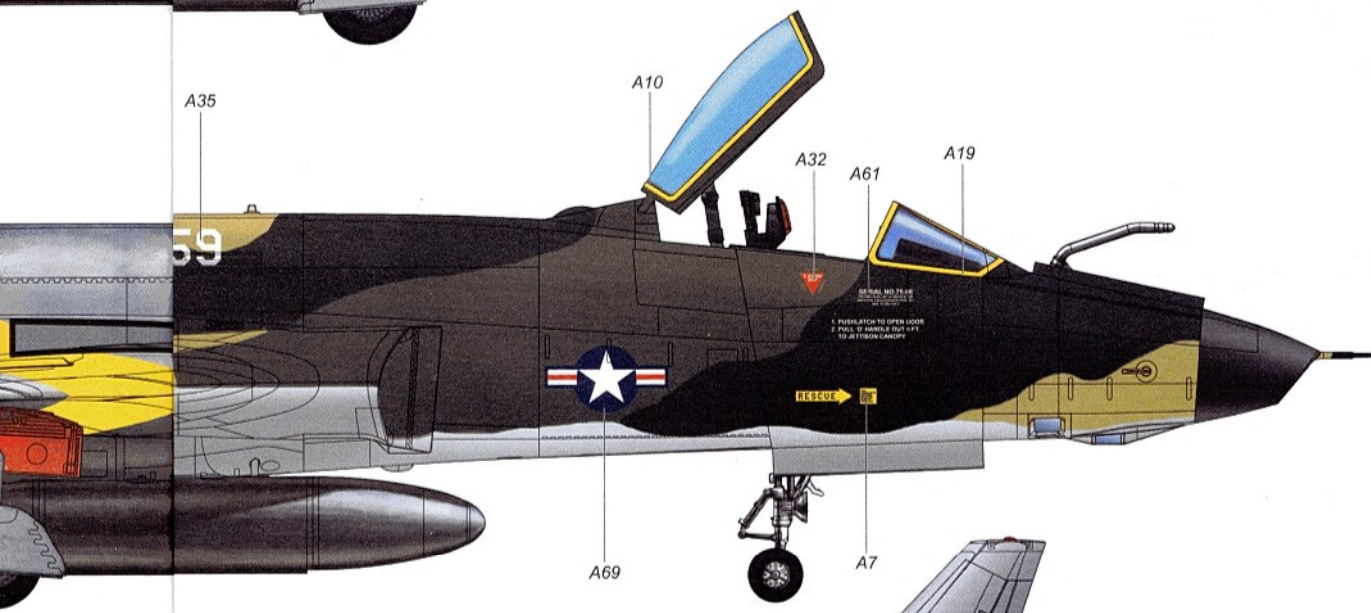
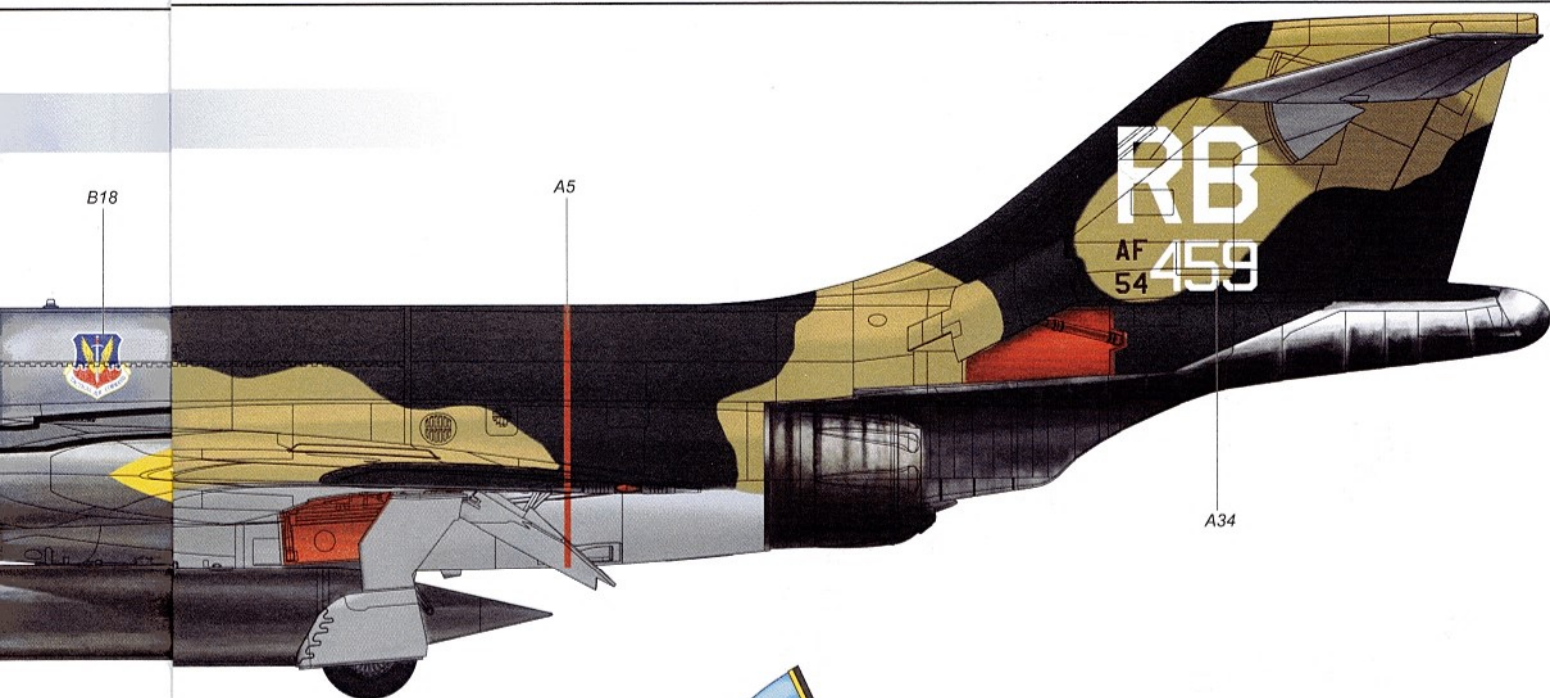


Painting & marking Guide

塗裝與水貼

USAF, RF-101C, 'CIN MIN', Number 4, 'SUN RUN', 60166.





Painting & marking Guide

塗裝與水貼

USAF, RF-101C, S/No.56-0053.

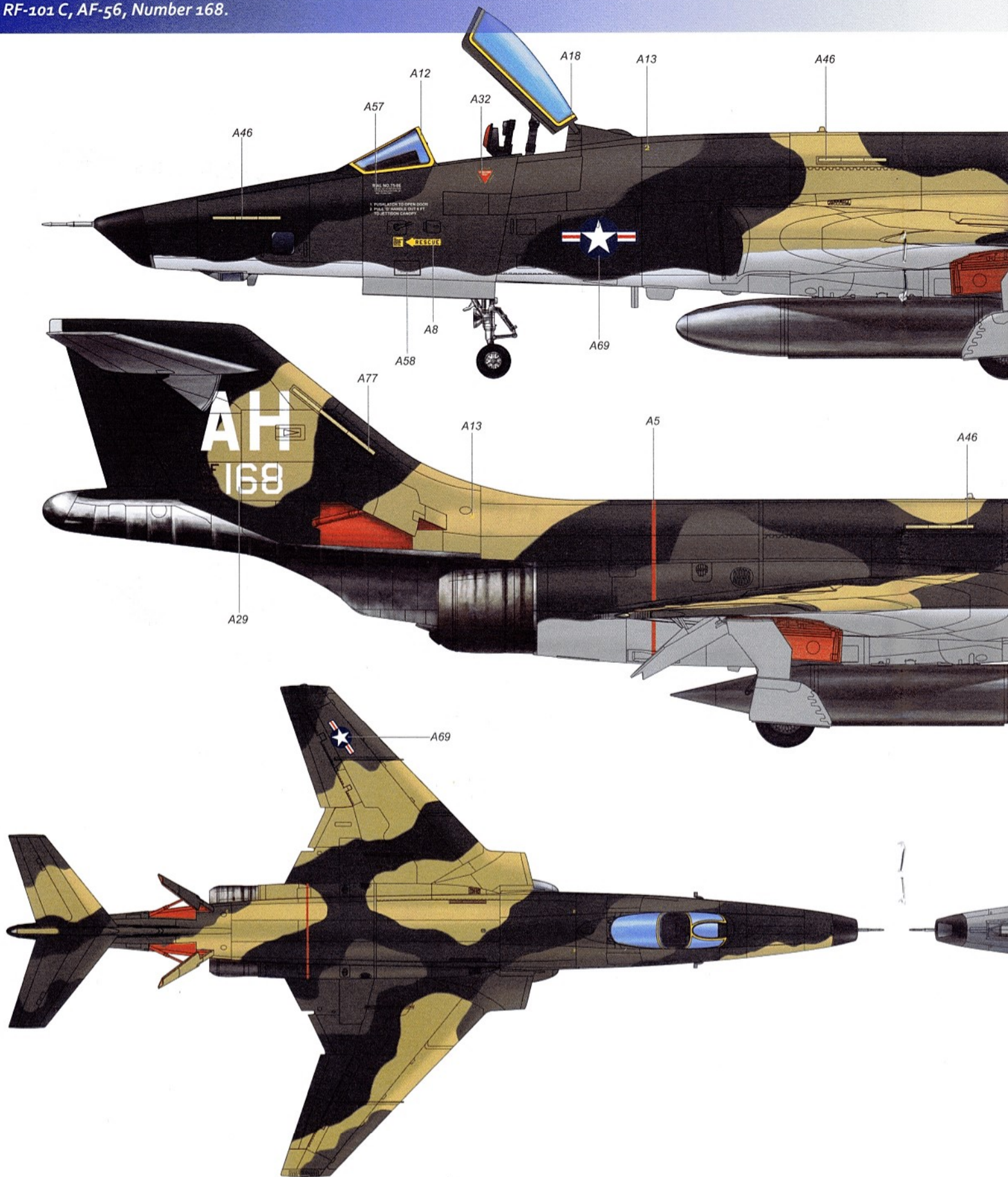


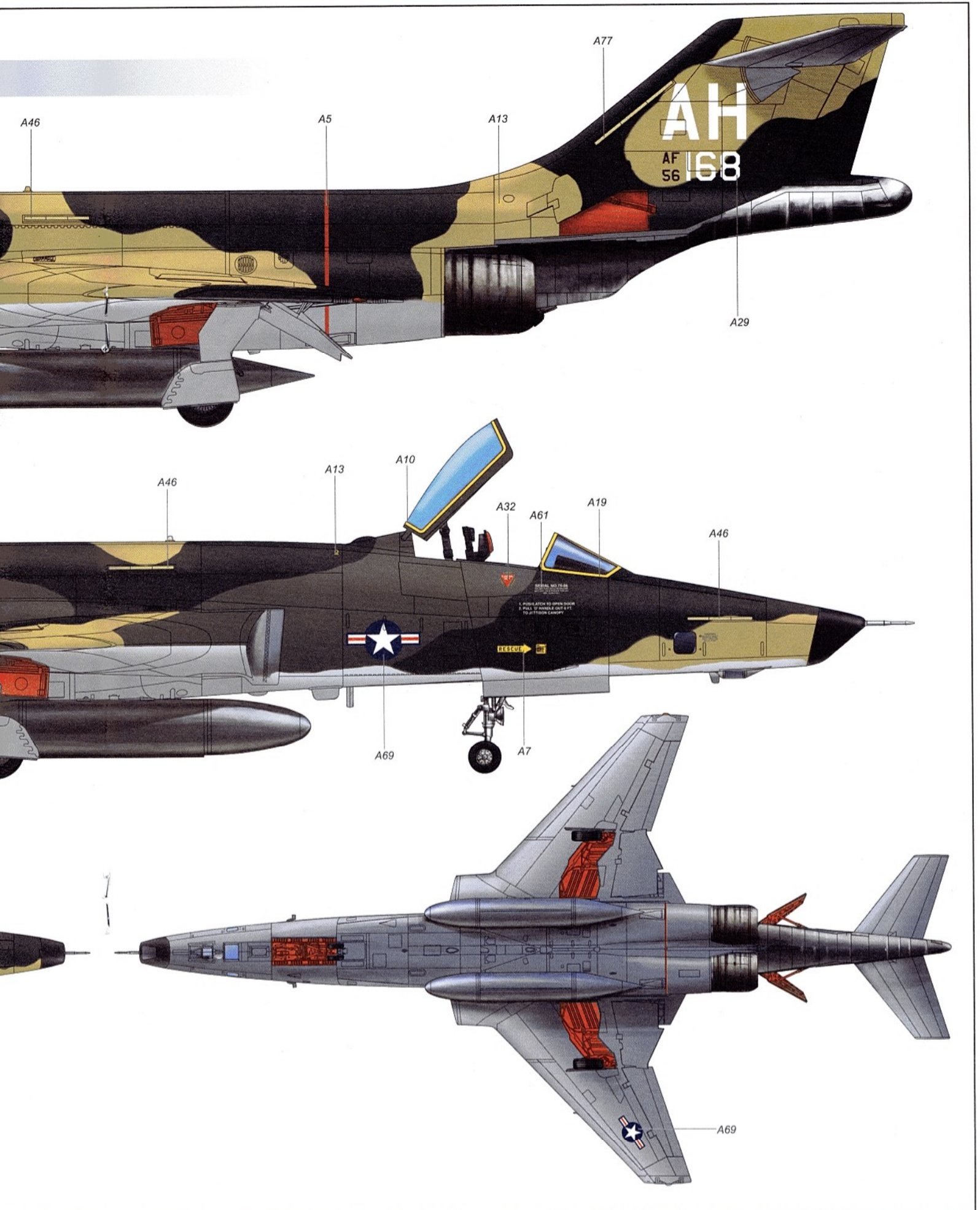


Painting & marking Guide

塗裝與水貼

RF-101 C, AF-56, Number 168.



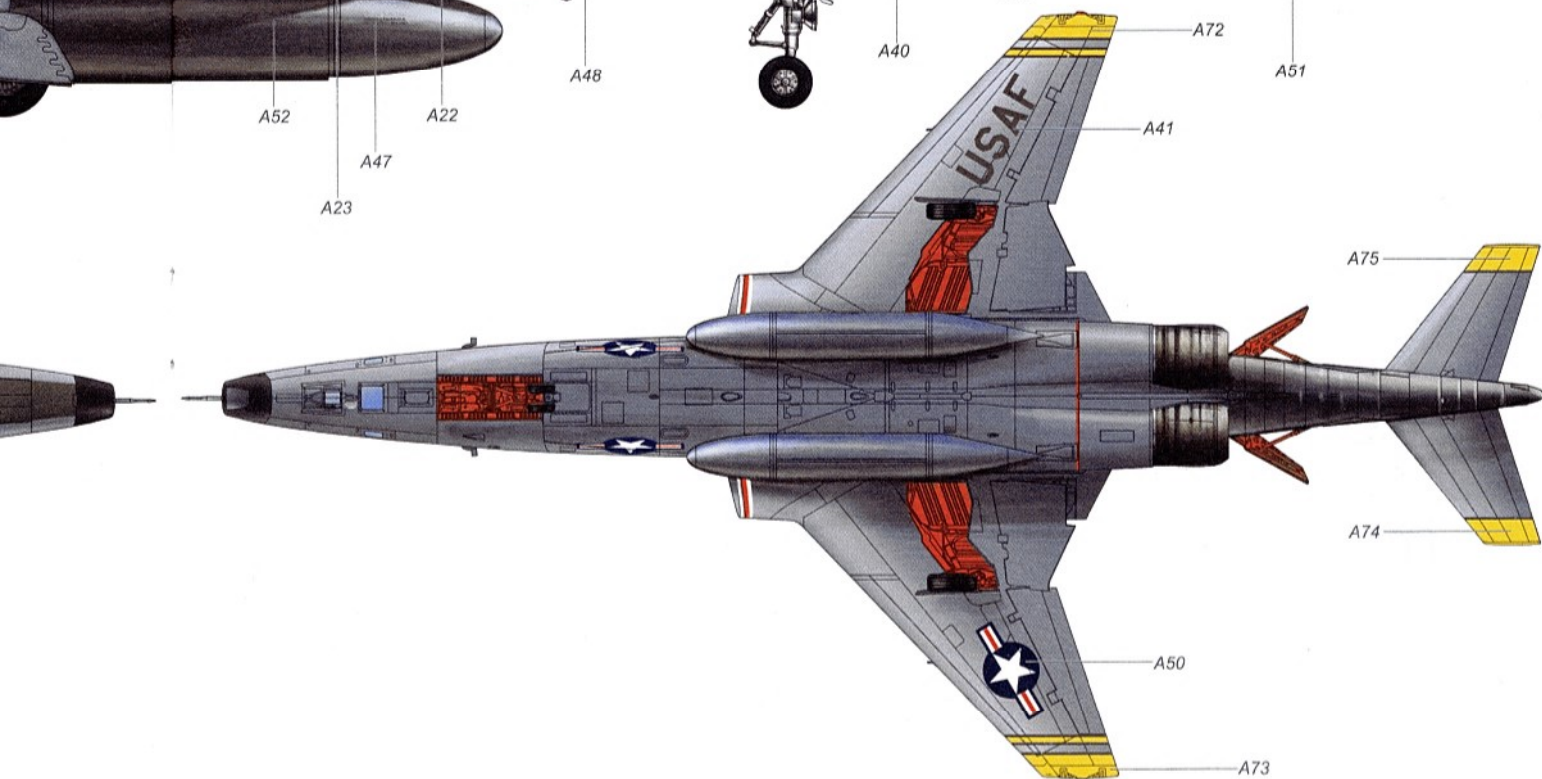
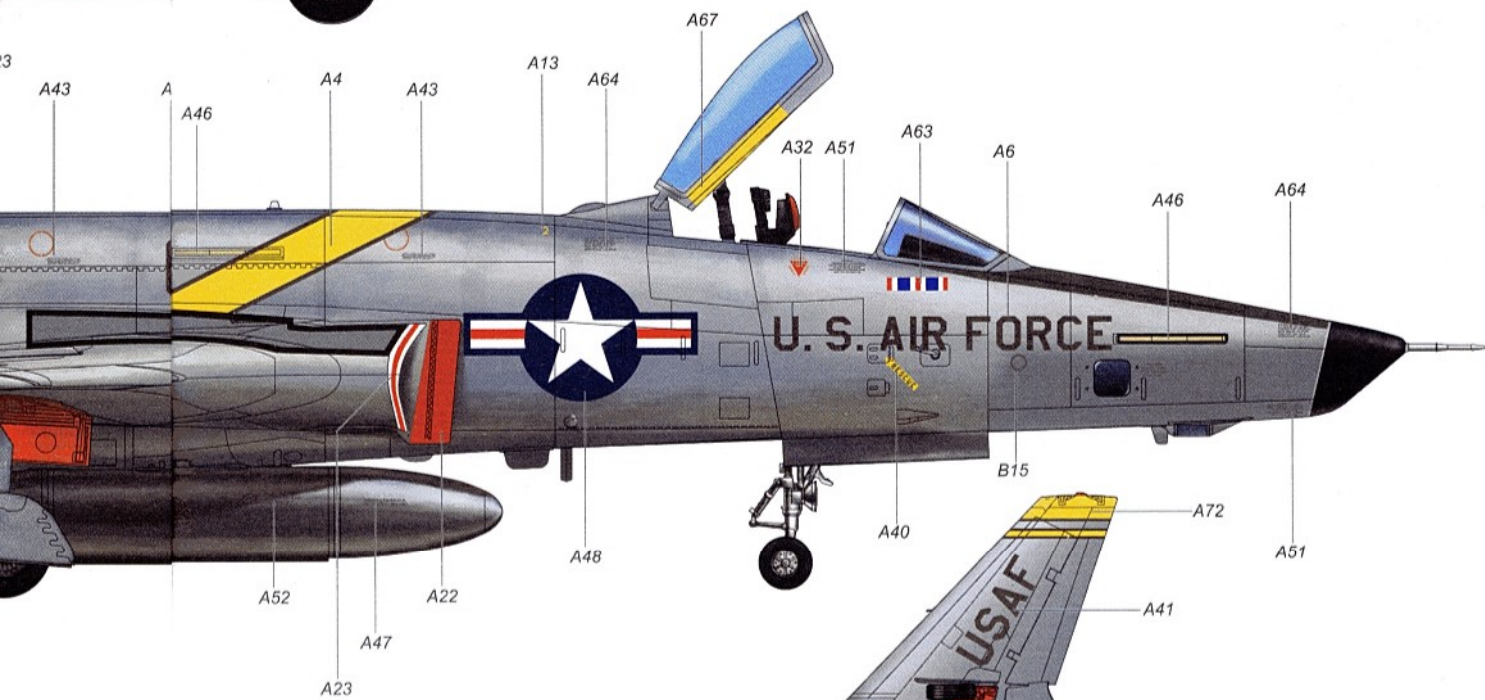
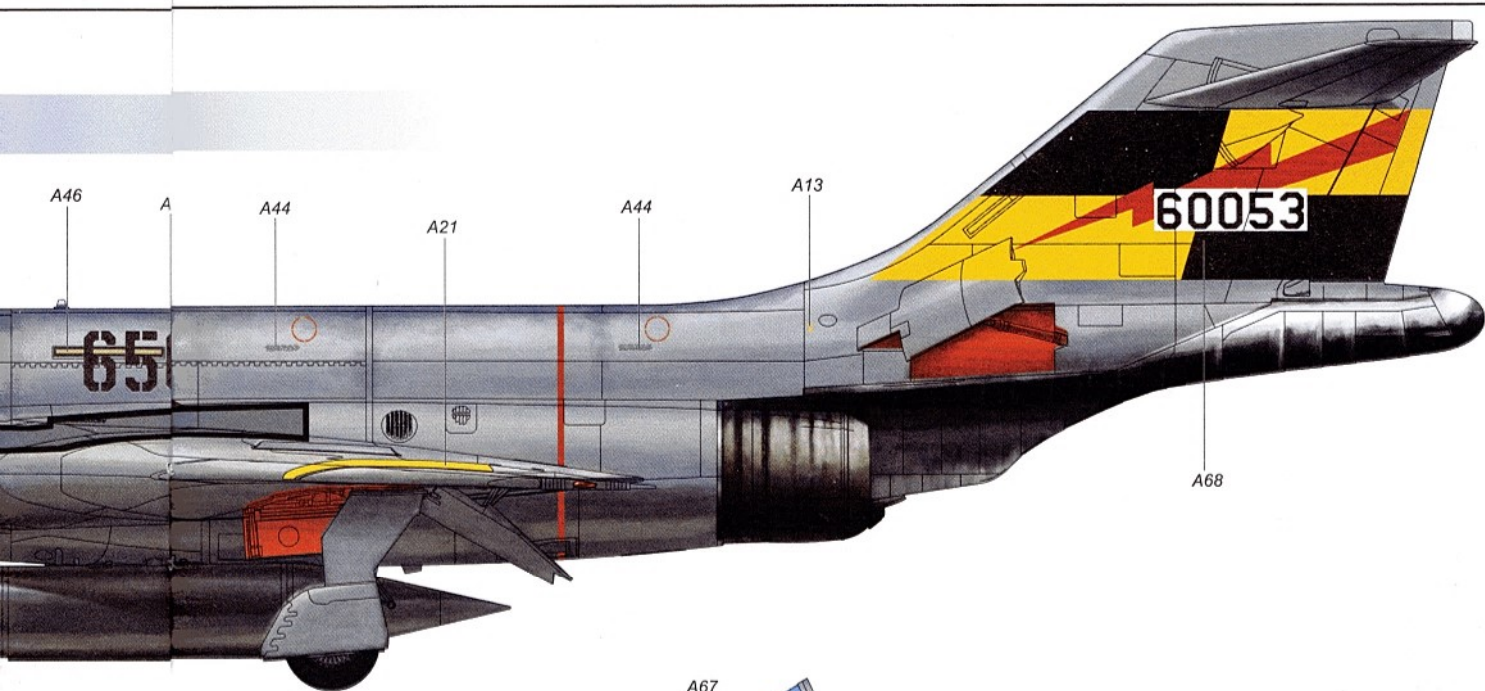


Painting & marking Guide

塗裝與水貼

RF-101C, Number 650.

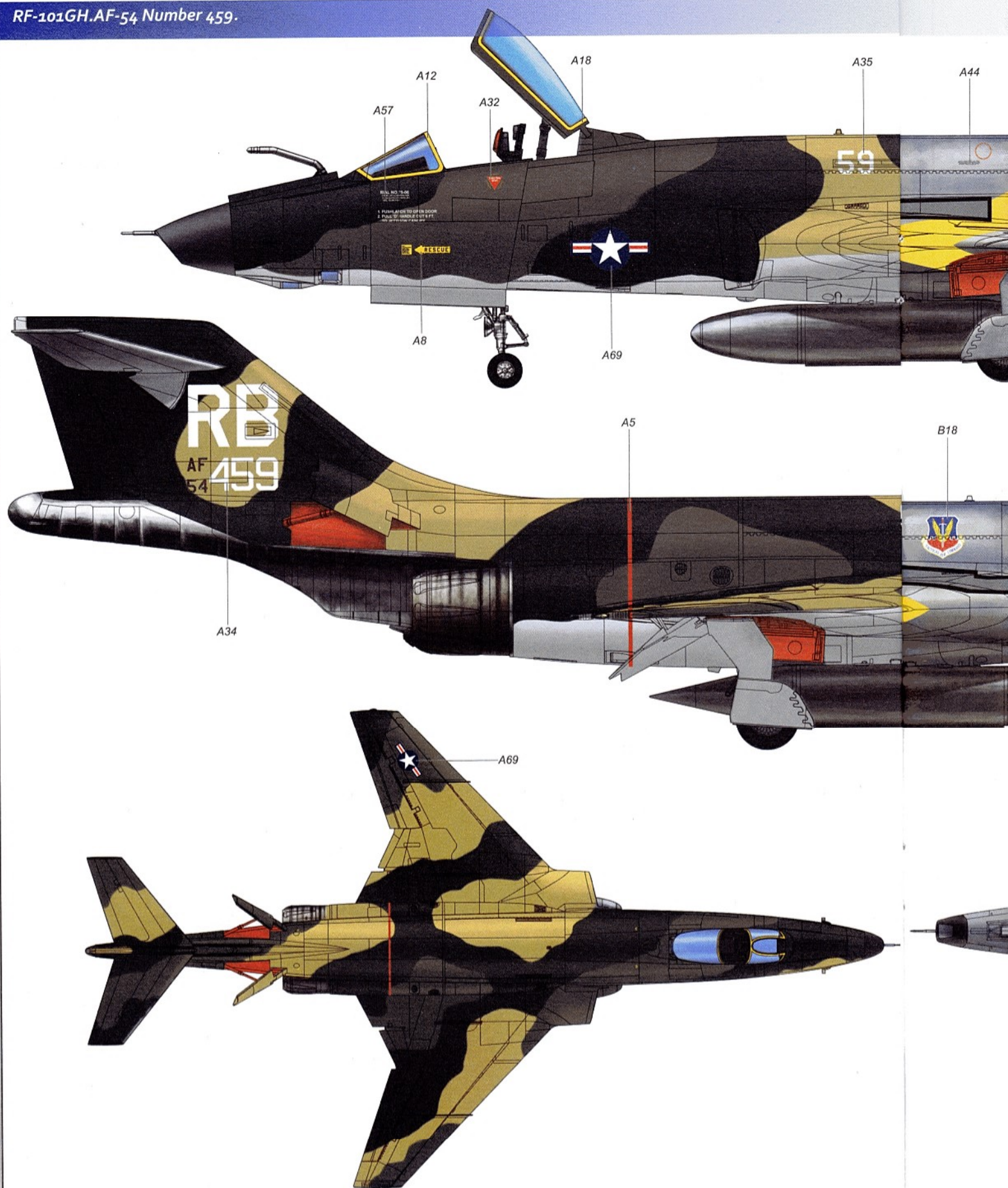


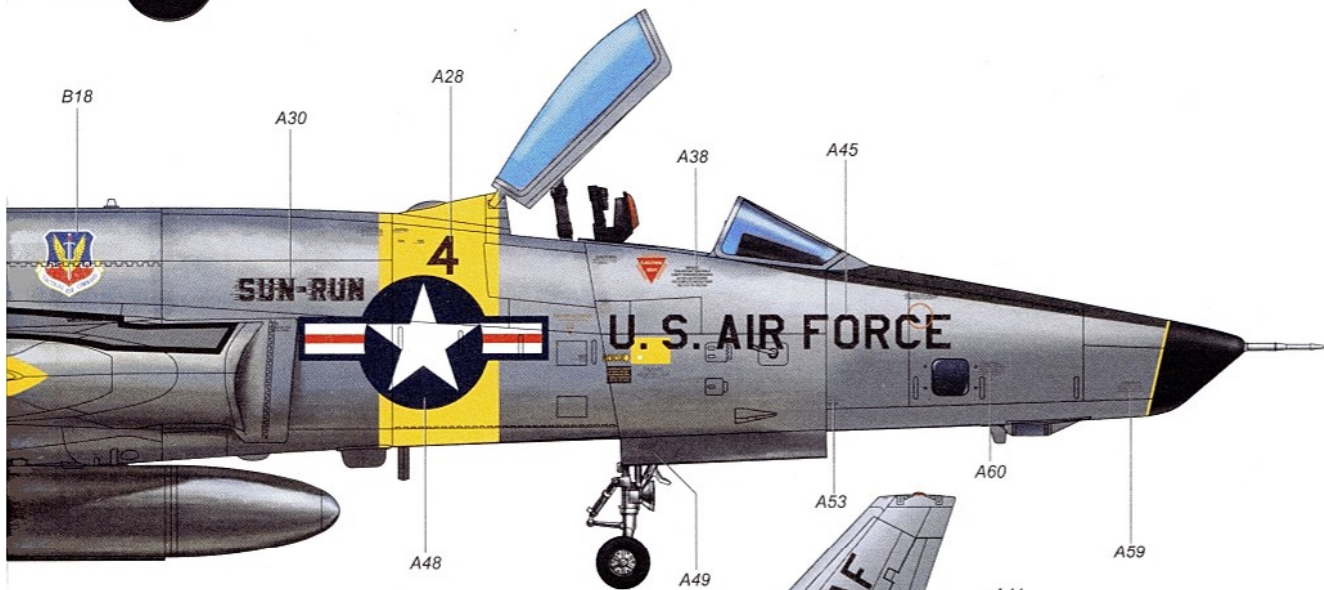
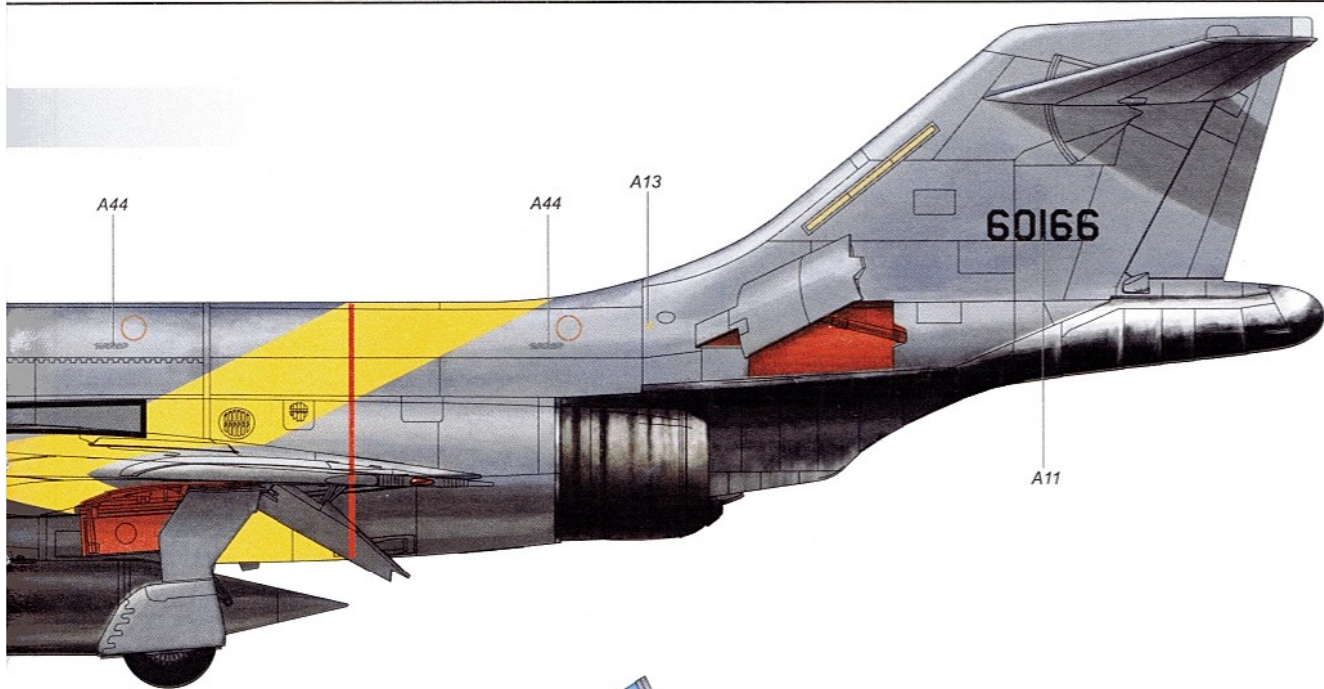


Painting & marking Guide

塗裝與水貼

RF-101GH.AF-54 Number 459.

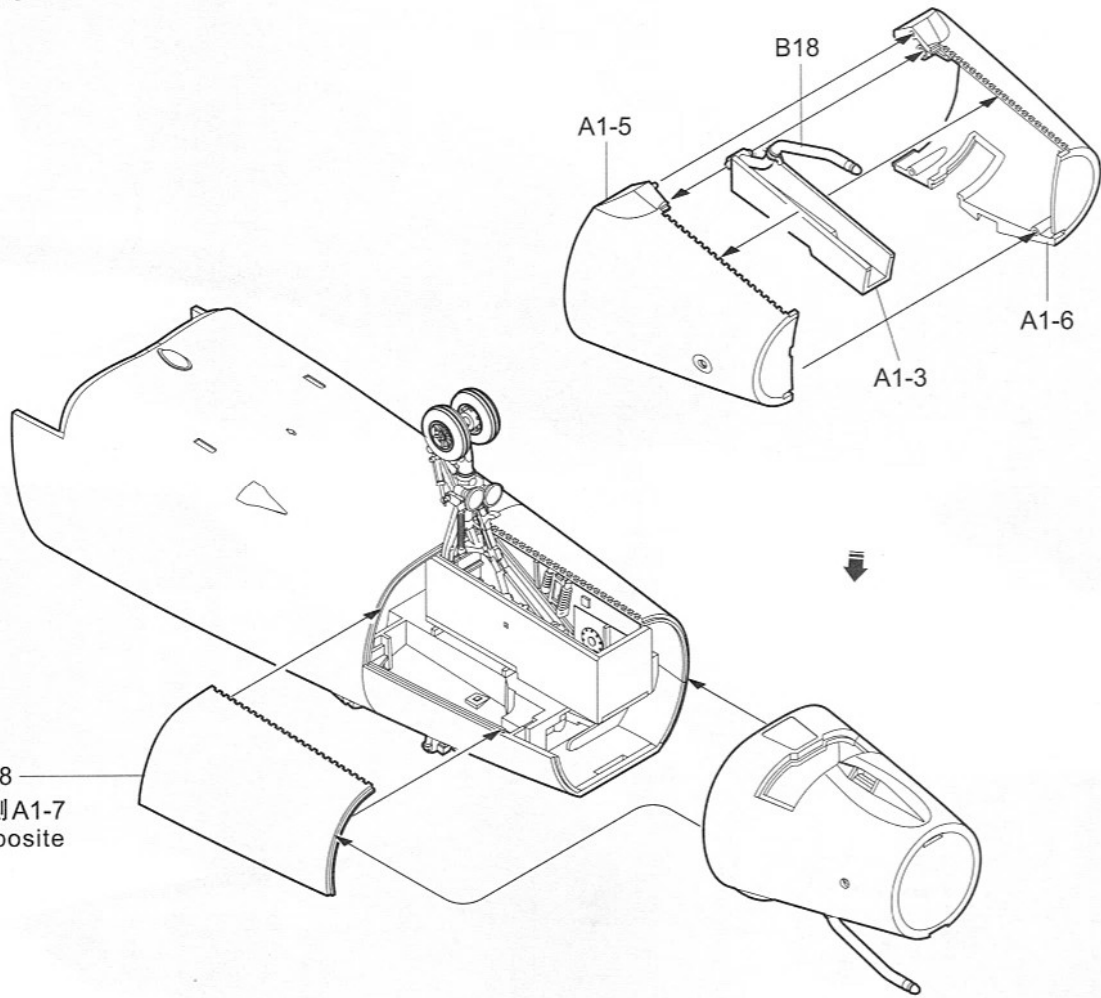




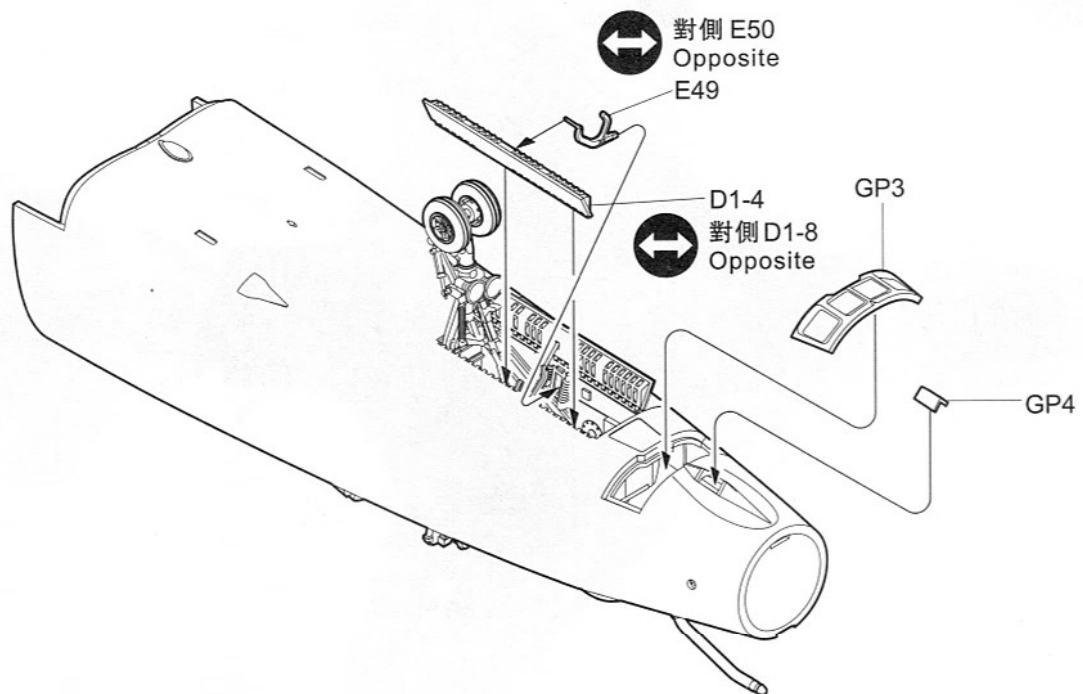
21



隨愛好選擇
Optional RF101-GH



22



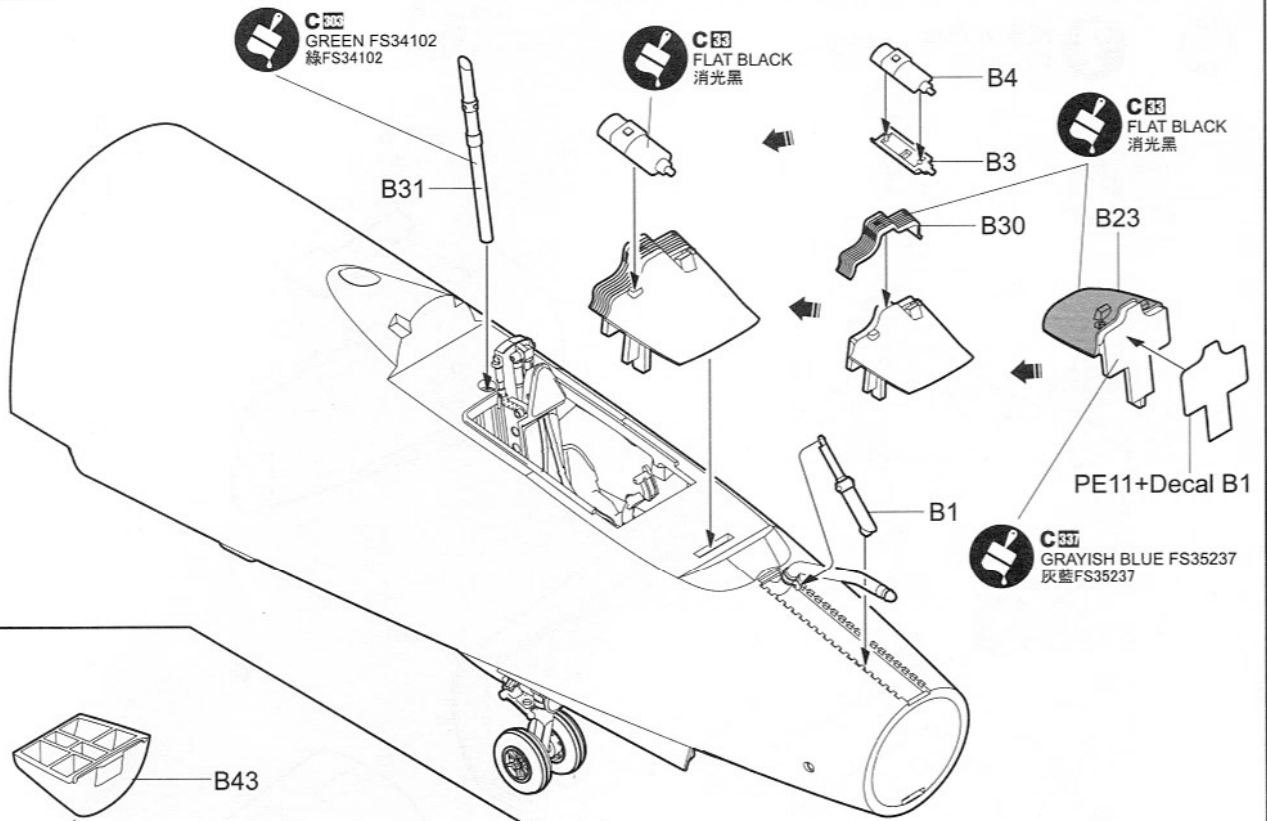
23

C34 GREEN FS34102
綠FS34102

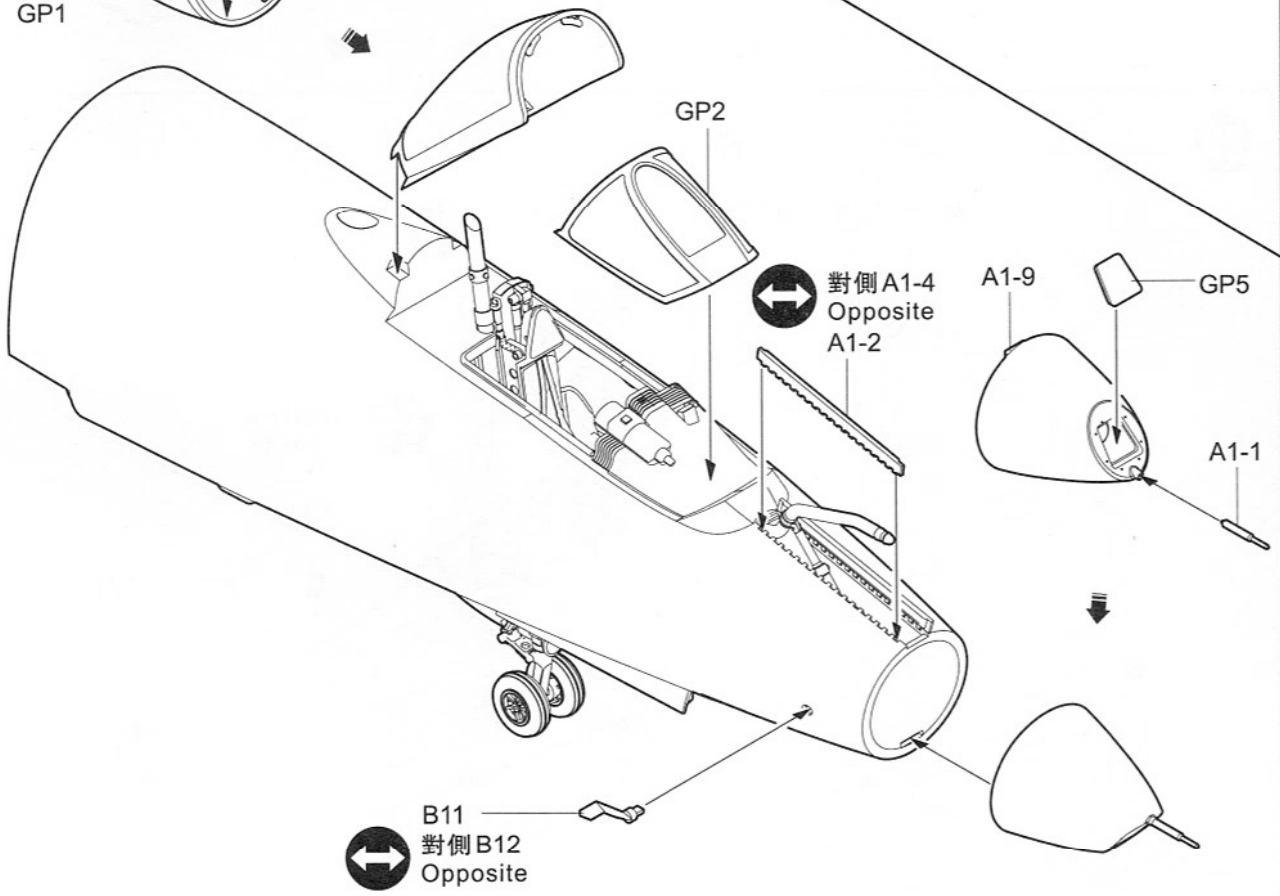
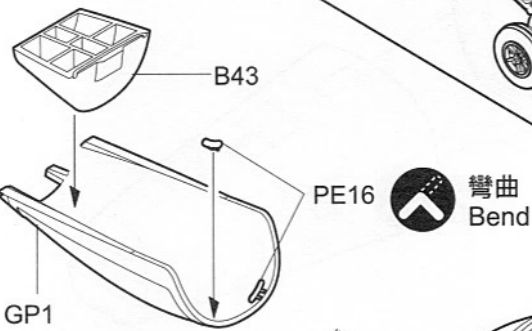
C35 FLAT BLACK
消光黑

C36 FLAT BLACK
消光黑

C37 GRAYISH BLUE FS35237
灰藍FS35237



24

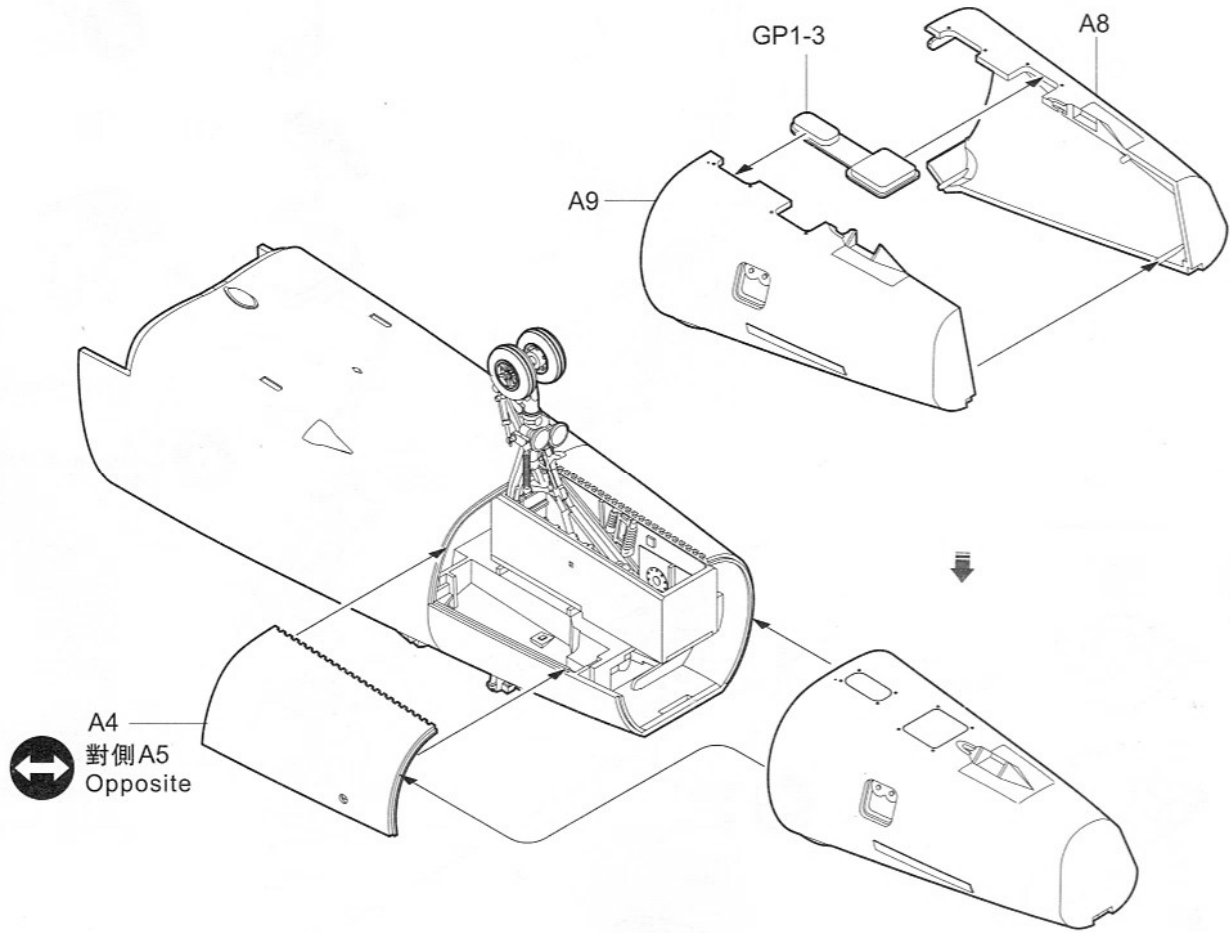


25

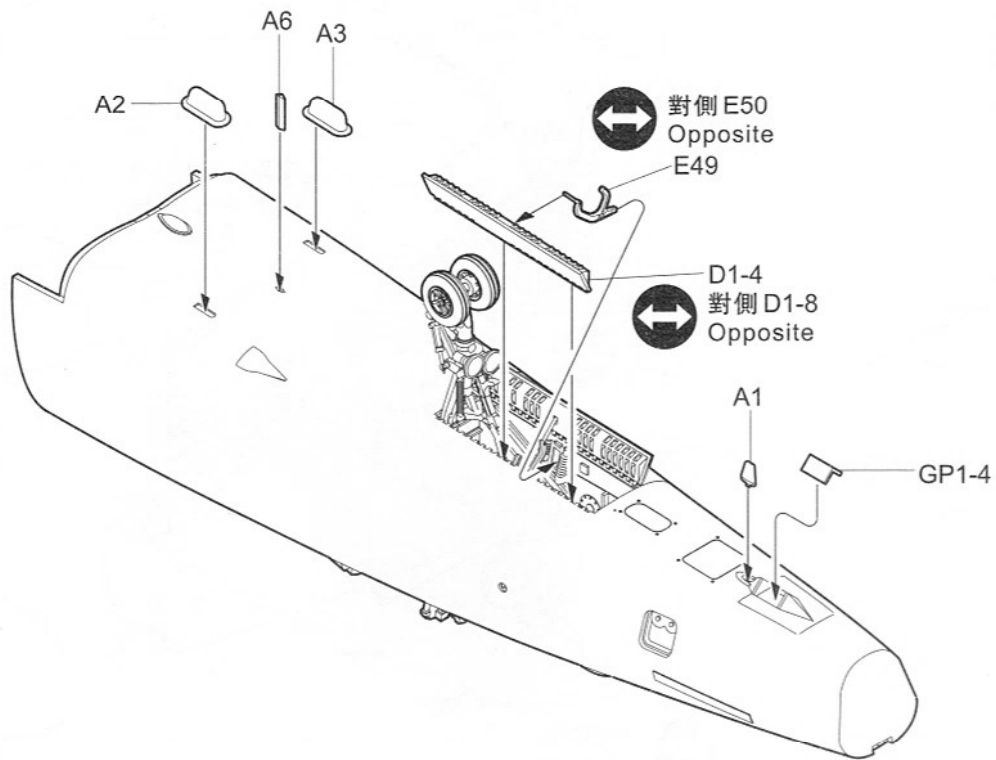


隨愛好選擇
Optional

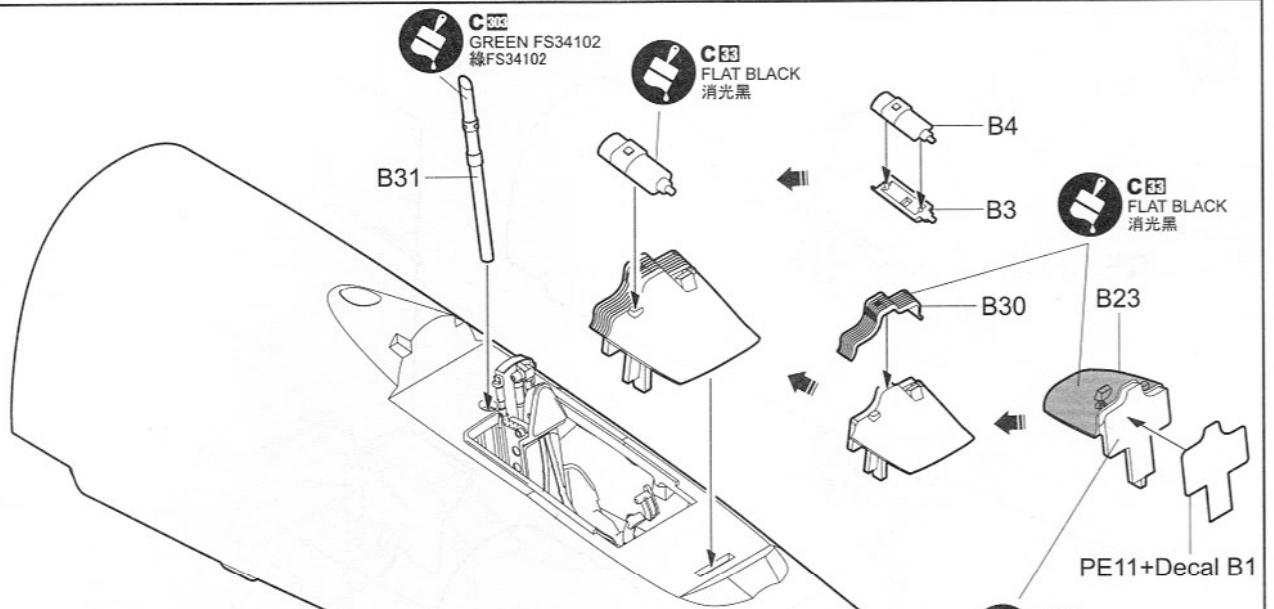
RF101-C



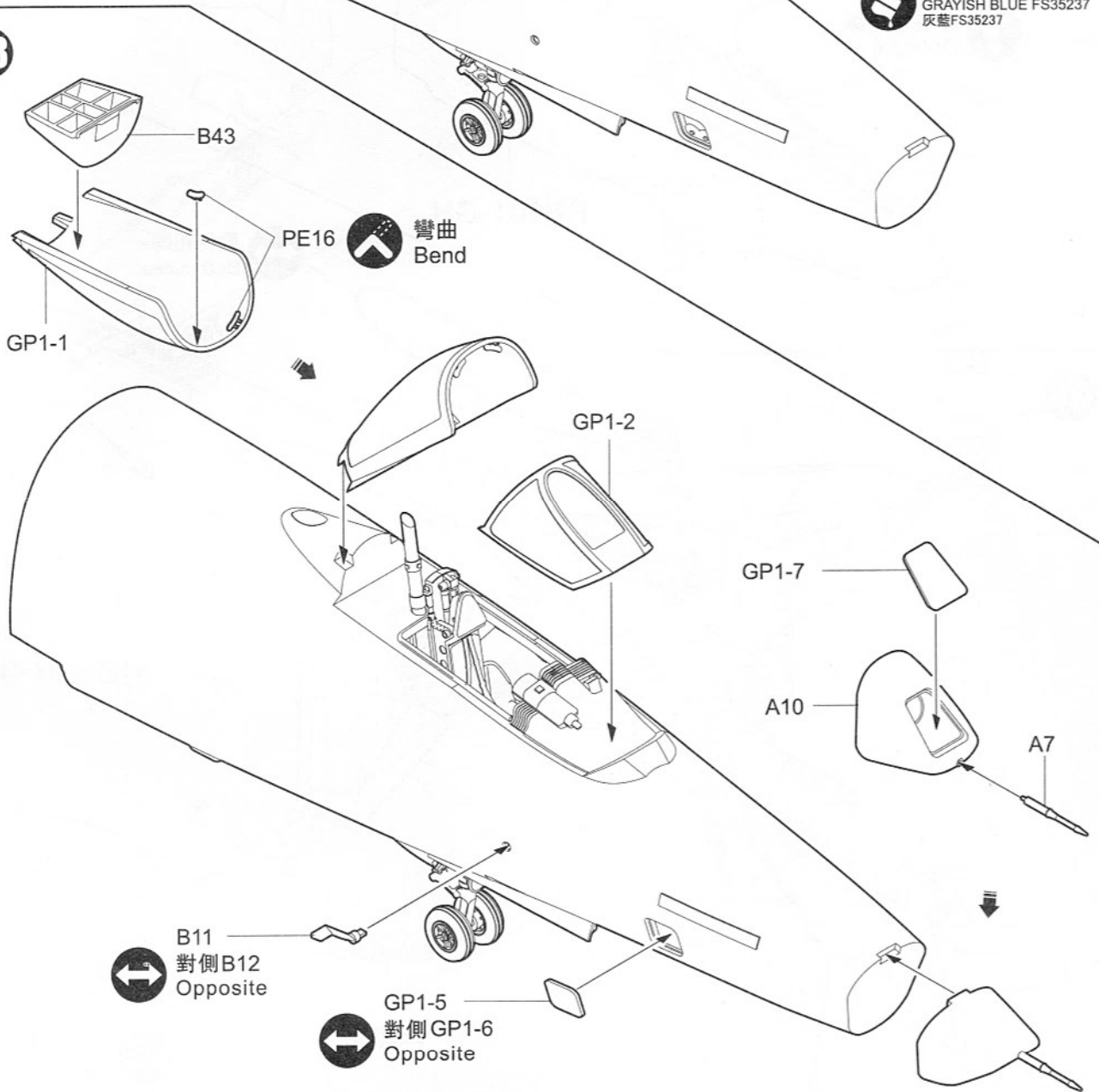
26



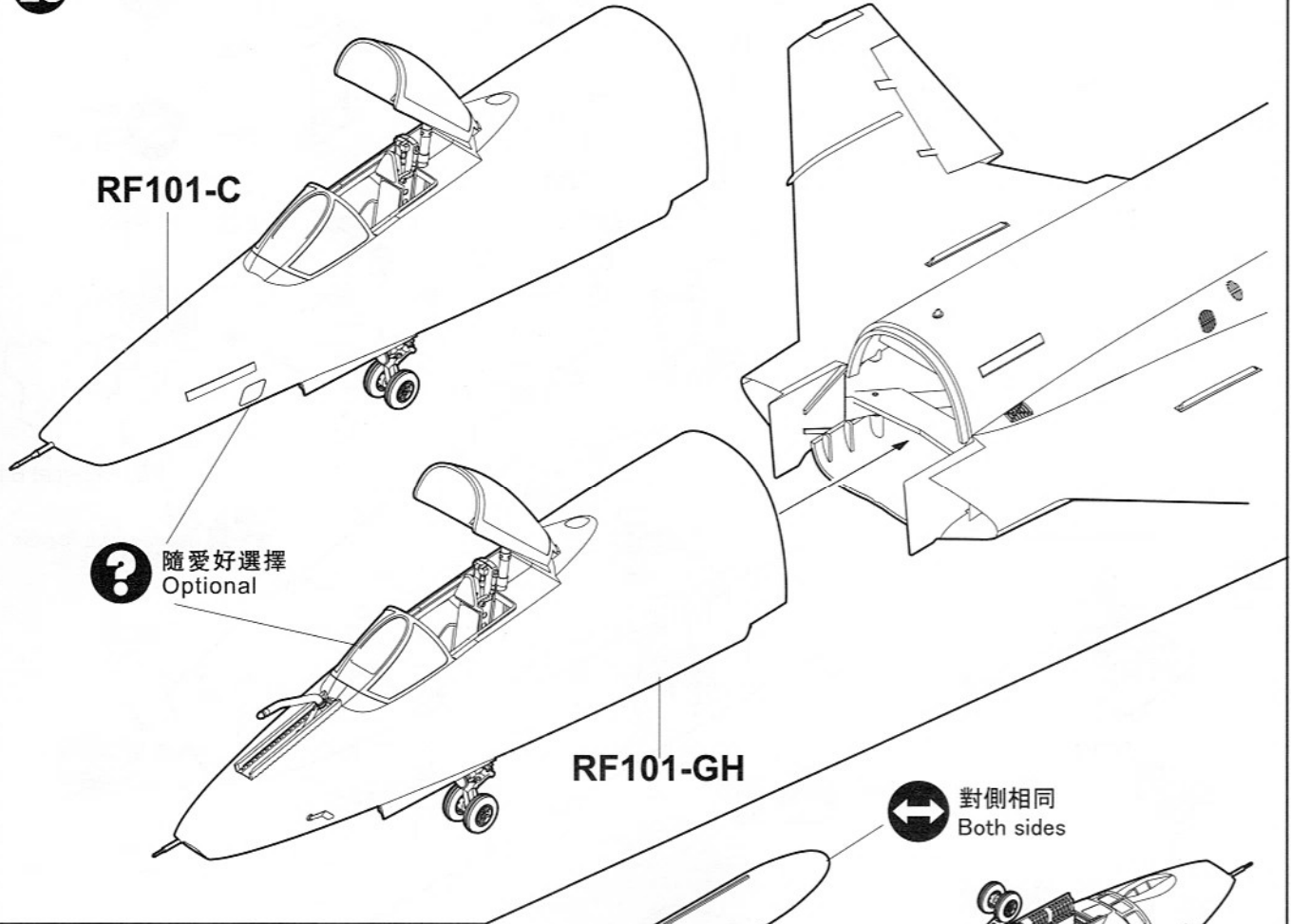
27



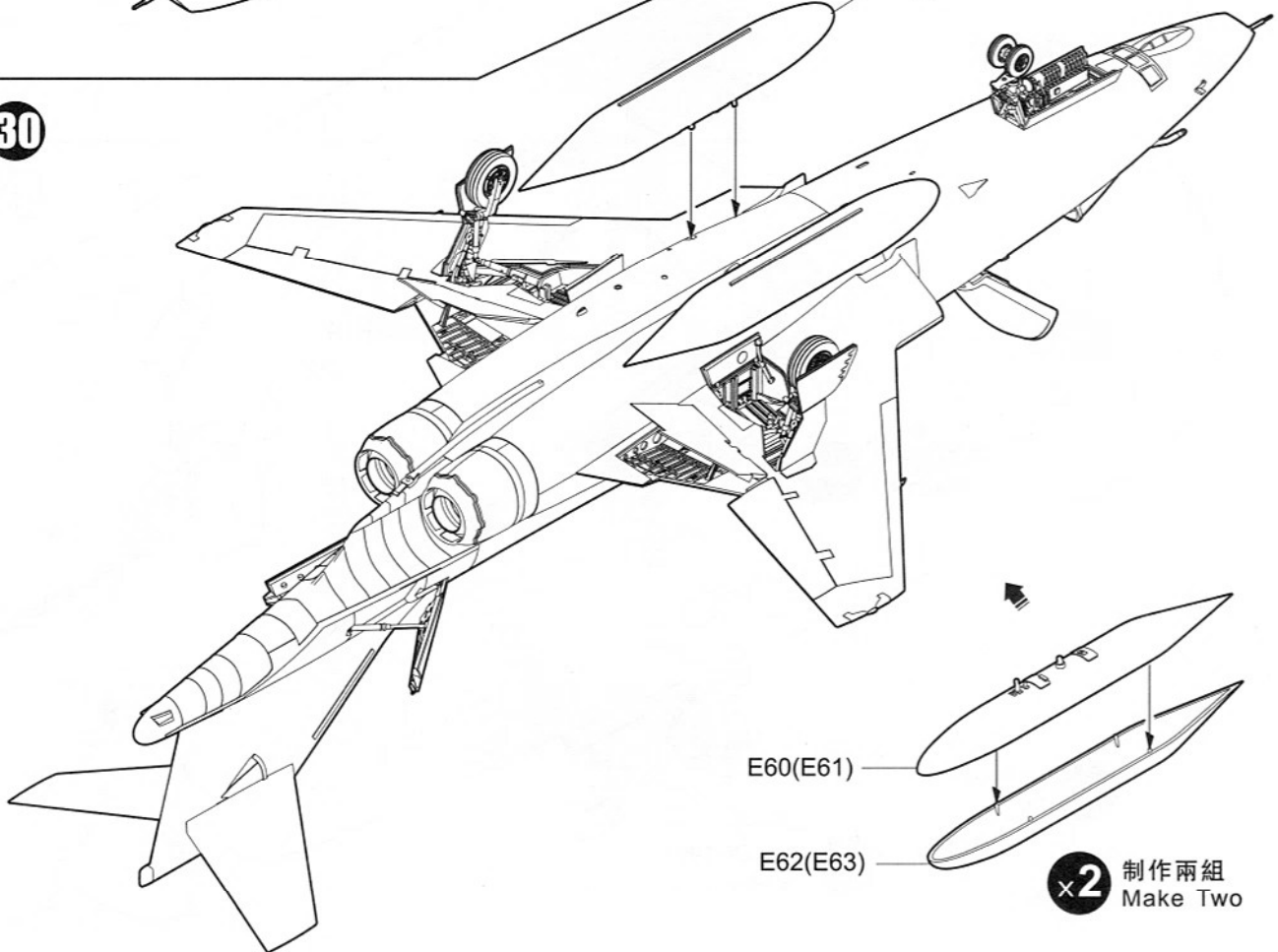
28



29

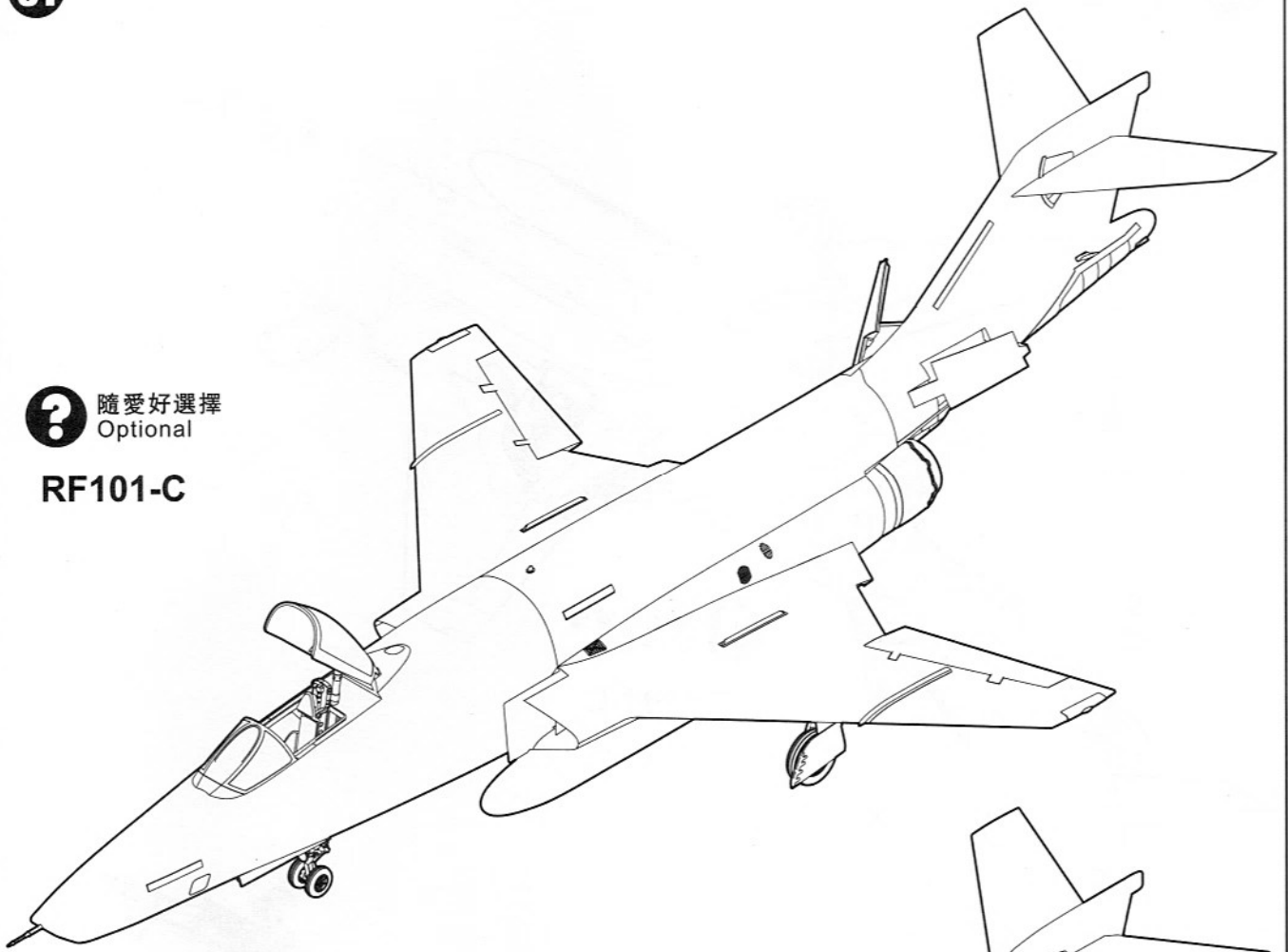


30



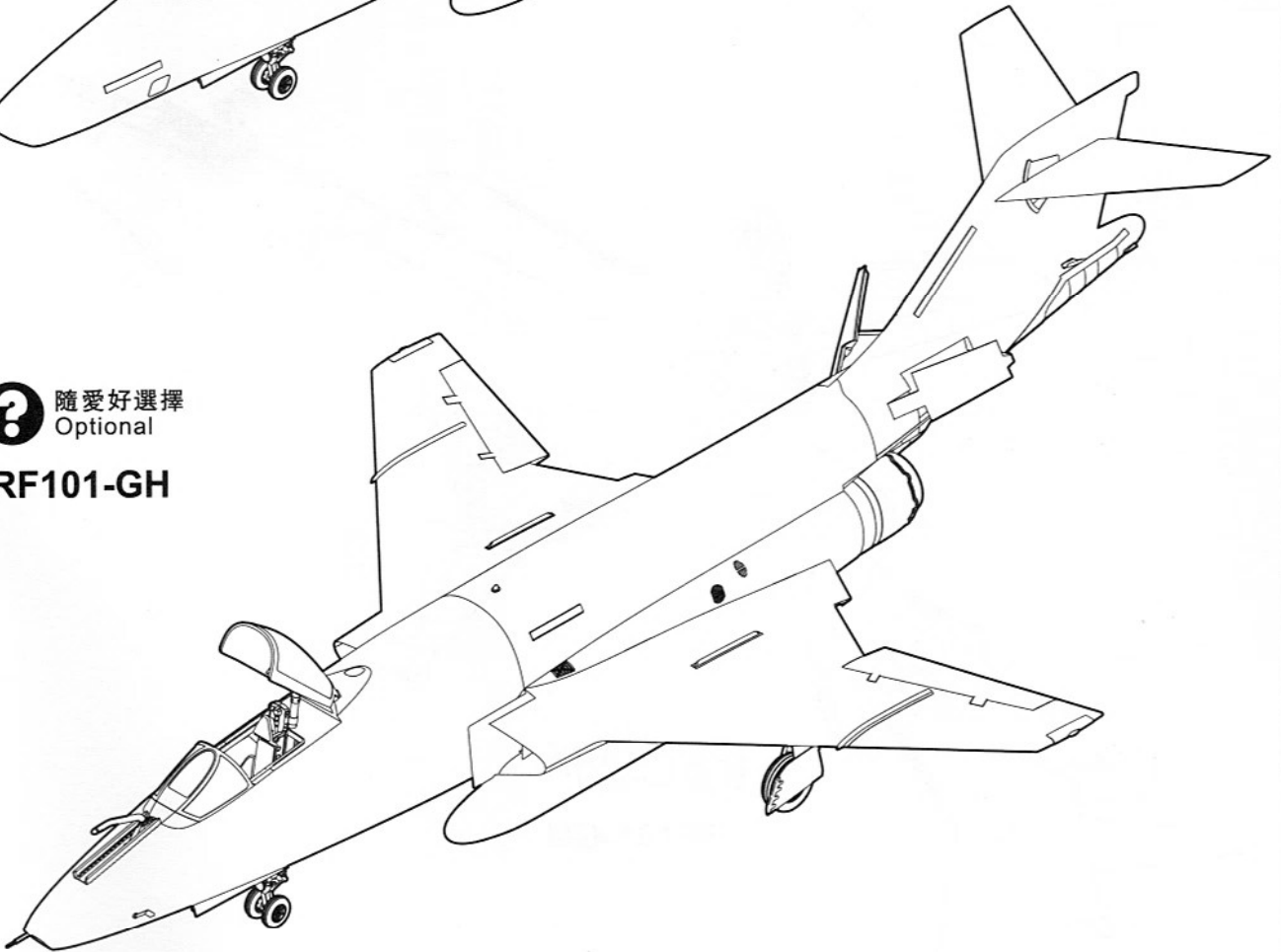
? 隨愛好選擇
Optional

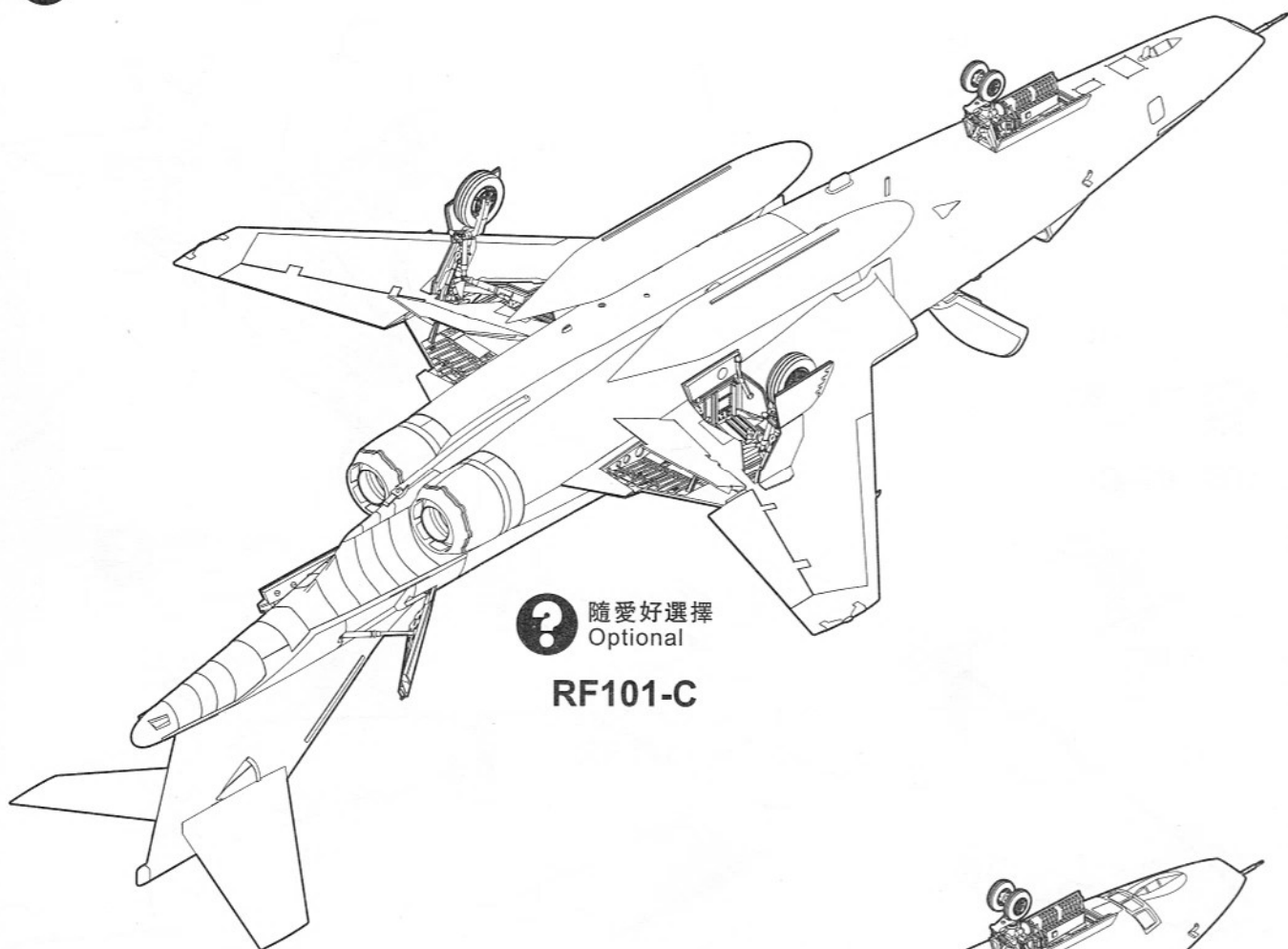
RF101-C



? 隨愛好選擇
Optional

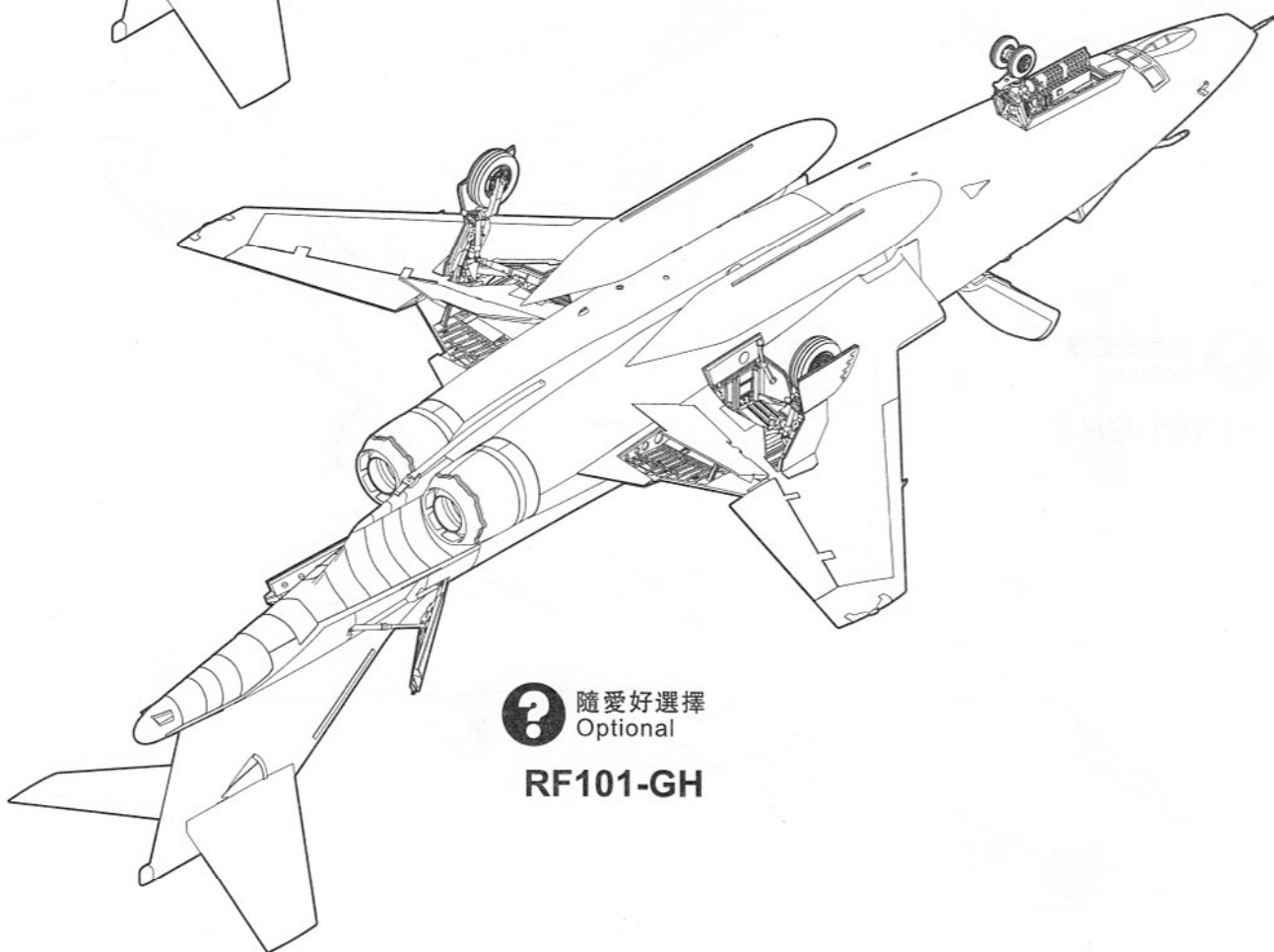
RF101-GH





? 隨愛好選擇
Optional

RF101-C



? 隨愛好選擇
Optional

RF101-GH

650
650
U.S. AIR FORCE
U.S. AIR FORCE

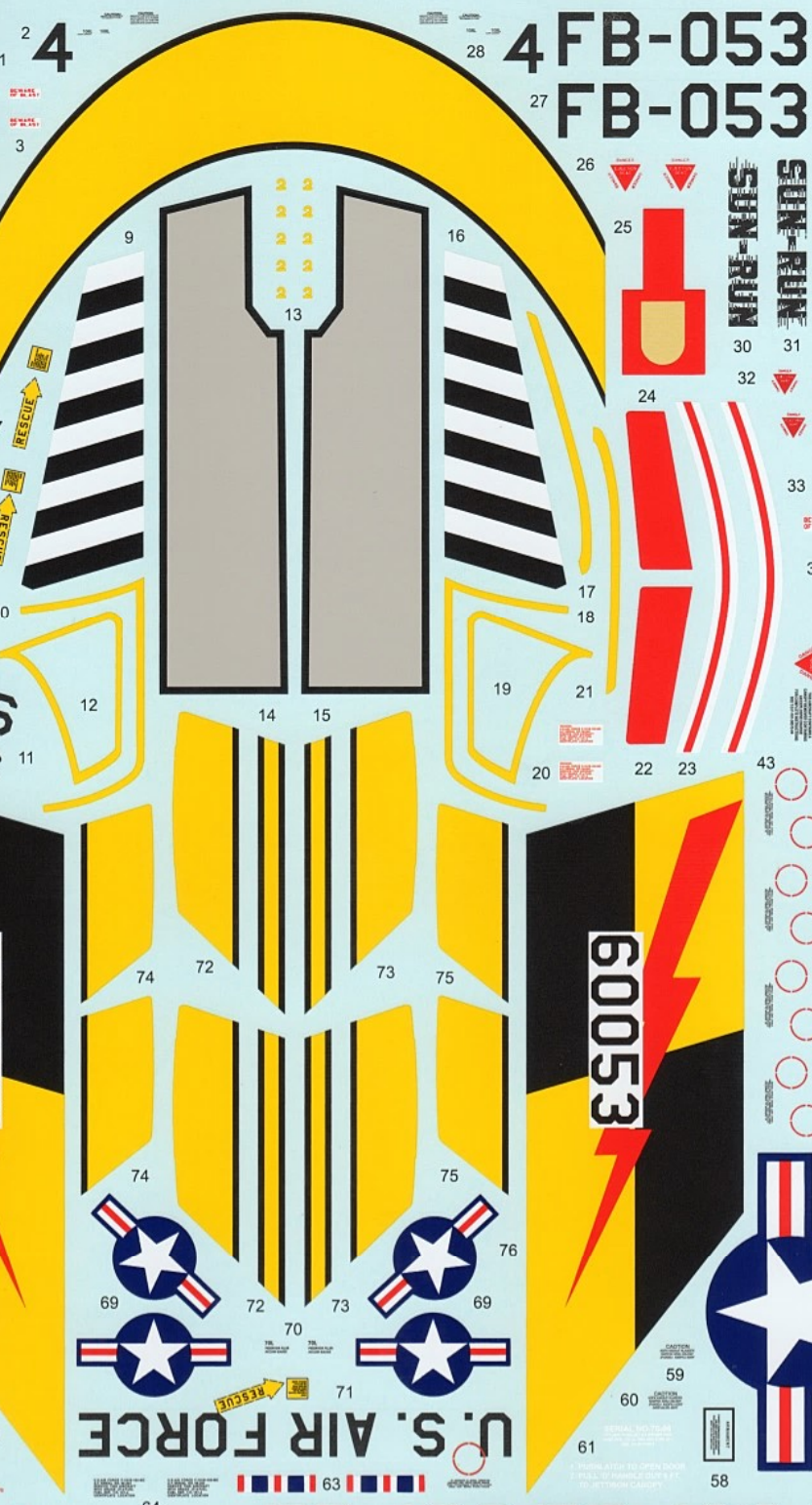
60166
60166

65009

5650
41500
5650
41500

"CIN-MIN"

64 65



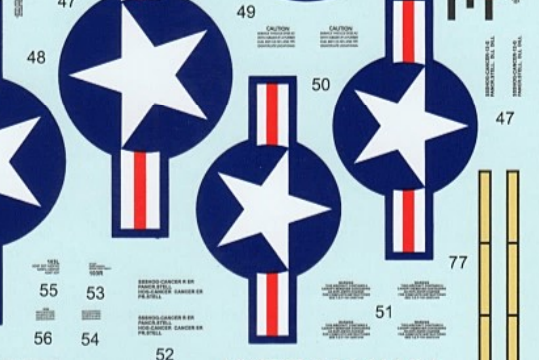
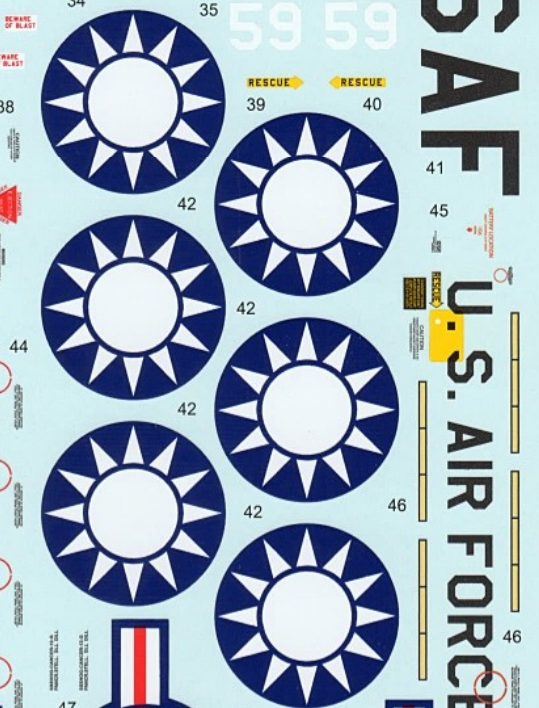
4 FB-053
27 FB-053



FB-166 FB-166

RBAH
RBAH

AF 54 459 AF 56 168
AF 54 459 AF 56 168

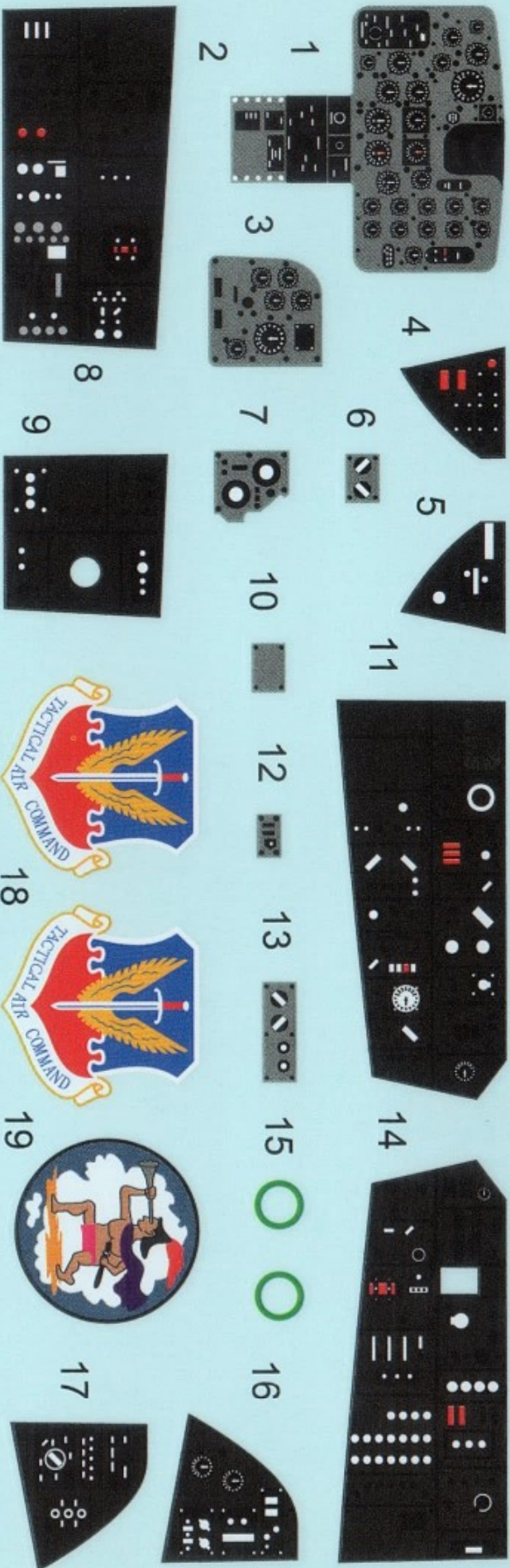


KITTY HAWK
KH80116 RF-101 C/GH Decal_A

USAF USAF

U.S. AIR FORCE

64 65

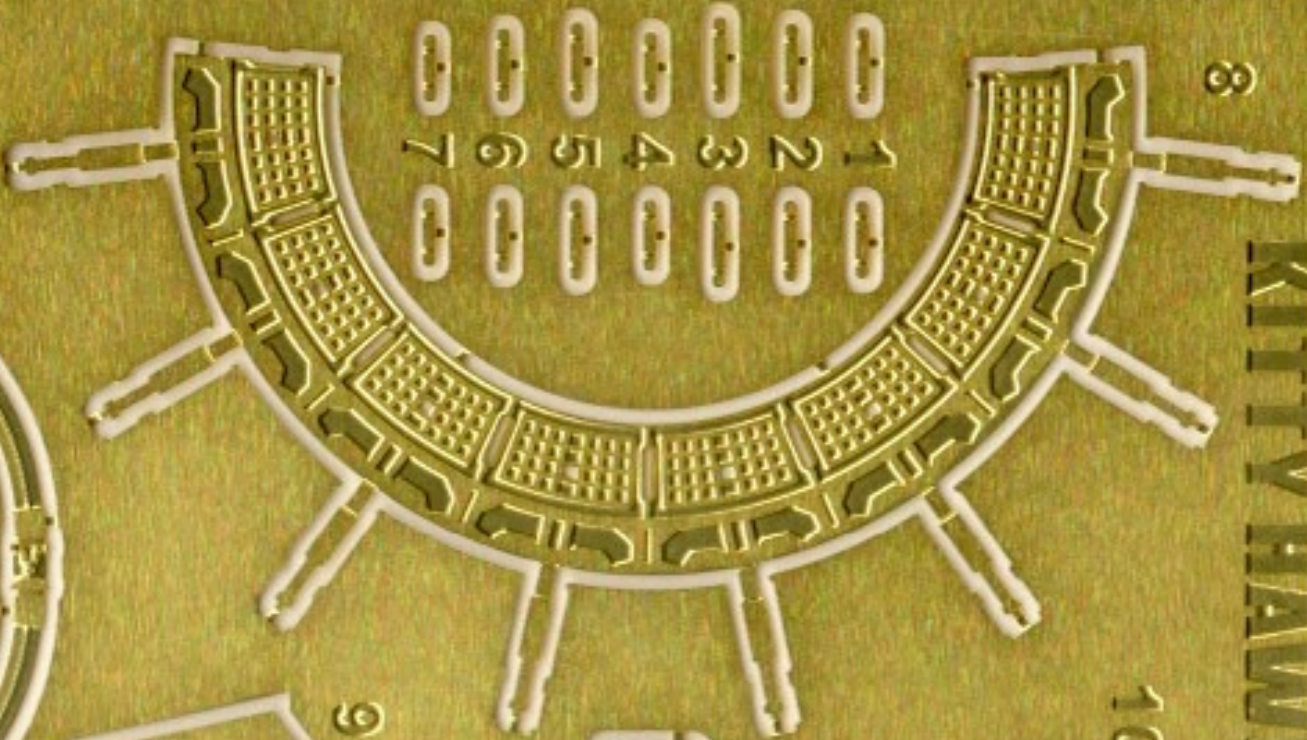


KITTY HAWK

KH80116 RF-101 C/GH Decal_B

KITTY HAWK

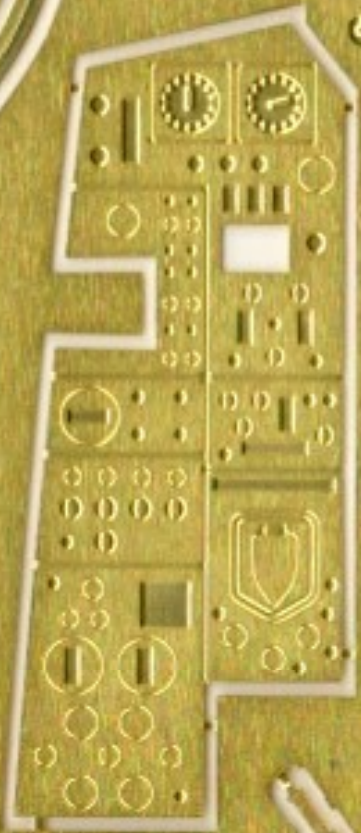
8



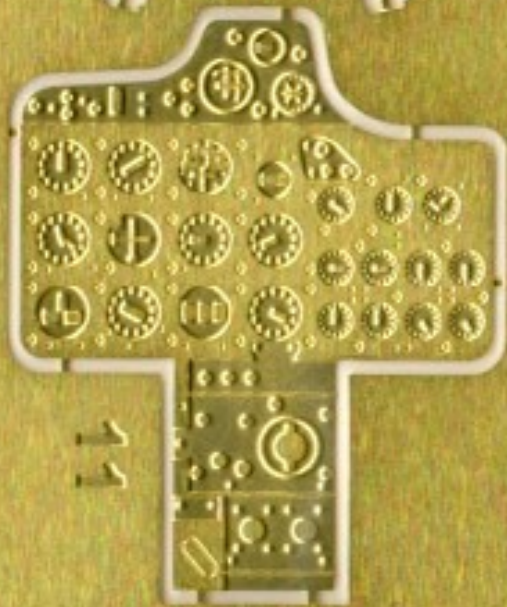
10



9



11



8



12

13

14



16



15



KH80115 F-101A/G Wood000

Painting & marking Guide

涂装与标记

USAF, RF-302C, 'CIN MIN', Number 4, 'SUN RUN', 60166.

