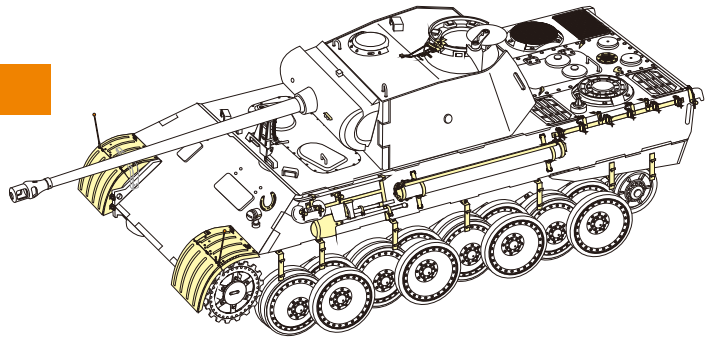


1/35 MILITARY MINIATURE VEHICLE UPGRADE SERIES PE351174

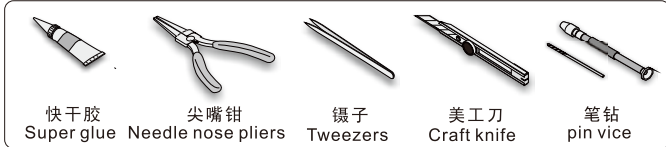
WWII German Panther A early ver. Basic

二战德军黑豹A早期型坦克基本 改造件

[For MENG TS-046]



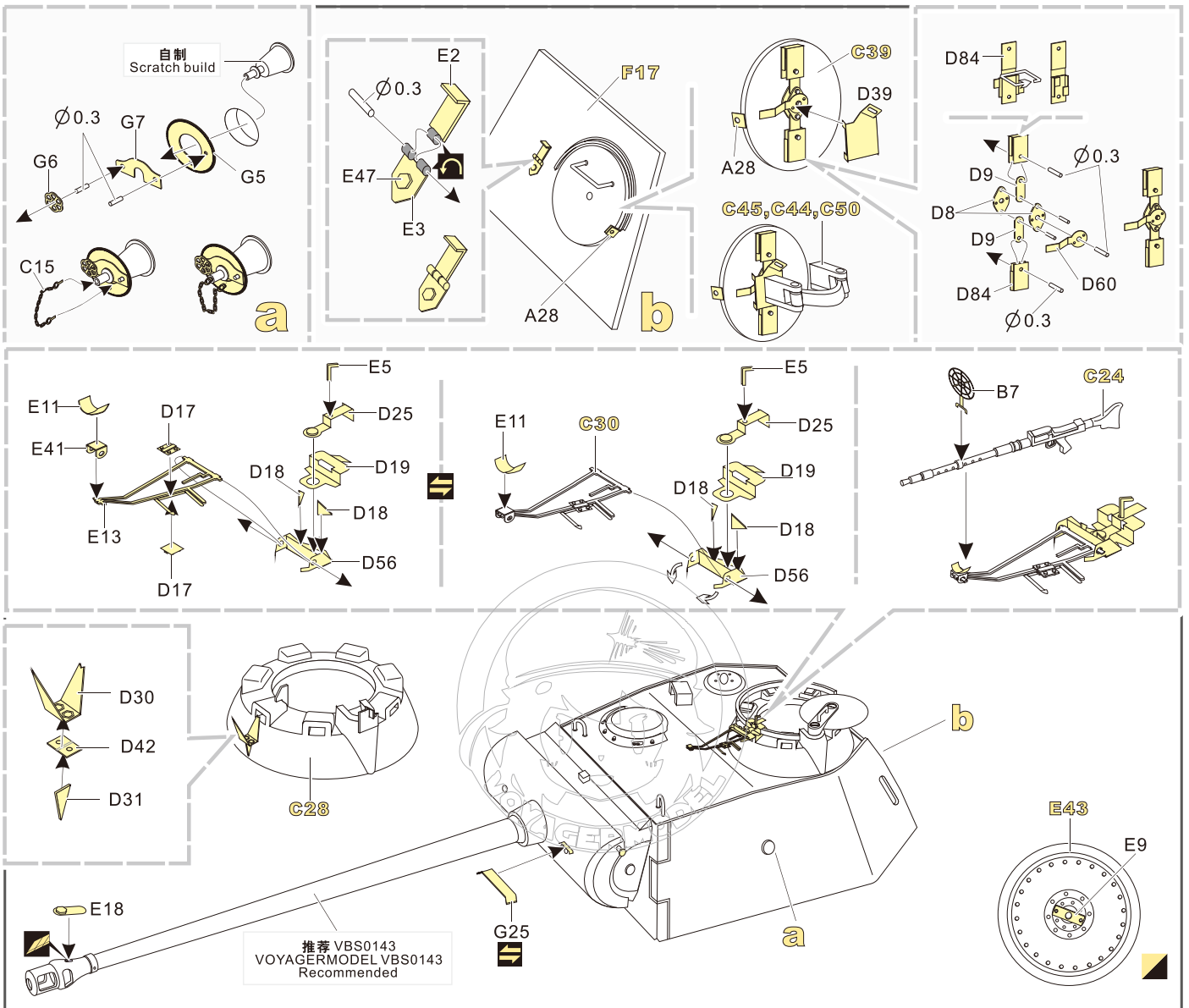
推荐使用工具 RECOMMENDED TOOLS



- 安装
install
- 折叠
bend
- A1**
改造件零件编号
PE/resin part number
- B12**
原零件编号
kit part number
- C22**
被替换的原零件编号
replaced kit part number
- 另一侧相同制作
repeat on opposite side
- 切除
remove
- 打磨
grind off
- 弧度卷曲
radial bending
- x2**
制作若干组
multiple assembly
- 选择安装
alternative
- 钻孔
drill
- 用胶棒制作
make from plastic rod

用尖端在凹槽处冲压
use penpoint to press on the dent

蚀刻片零件内侧面向上
Put the part upside down
用笔尖在凹槽处刺
Use penpoint to press on the dent



1/35 MILITARY MINIATURE VEHICLE UPGRADE SERIES PE351174

A45, **A47**, **A44**, **x4 C**

D33, **A48**, **x8 e**

B23, **E16**, **f**

B27, **d**, **D32**, **g**

E48, **A13**, **A1**, **E52**, **B5**, **x2 h**

E34, **A3**, **C3**, **x2 i**

C3, **A3**, **x6 j**

A31, **A15**, **A12**, **自制 Scratch build**, **k**

E28, **A36**, **A34**, **A33**, **B15, B14**, **e**

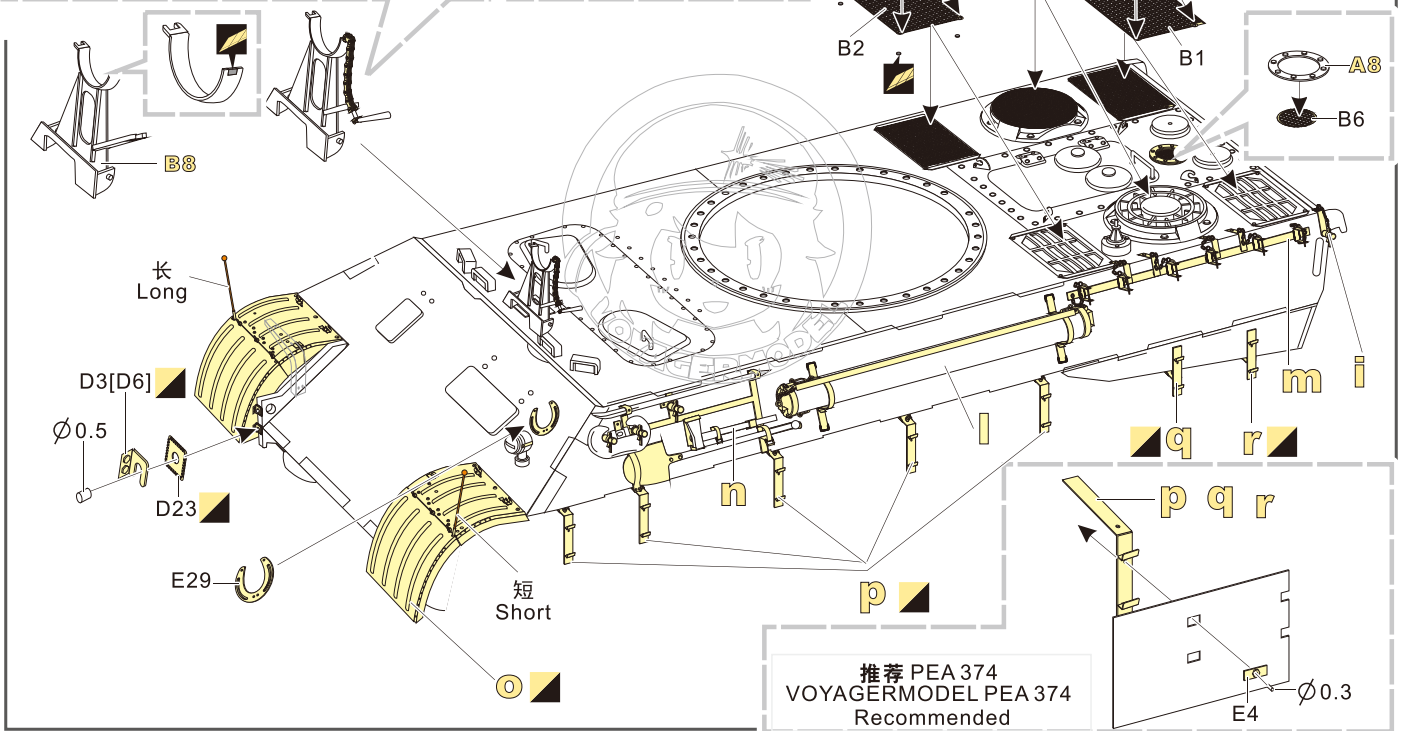
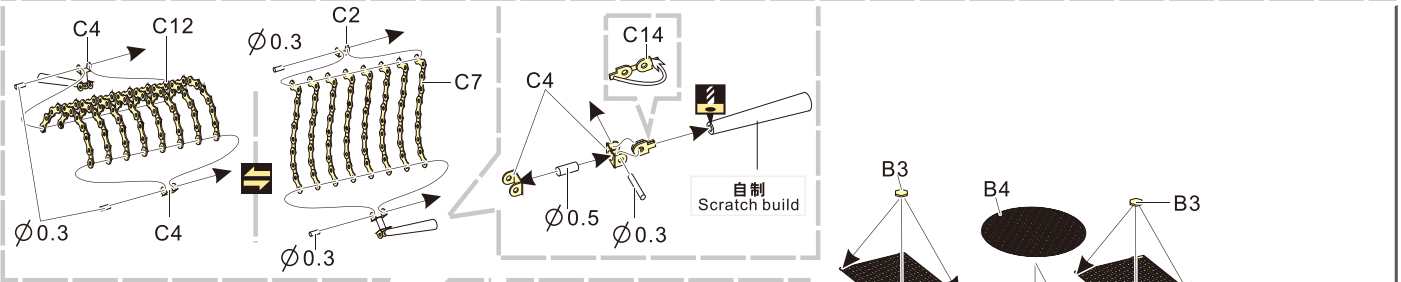
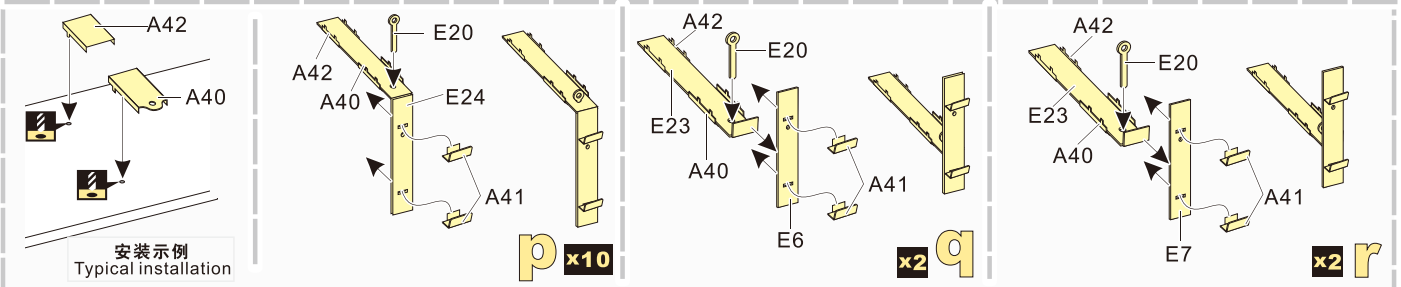
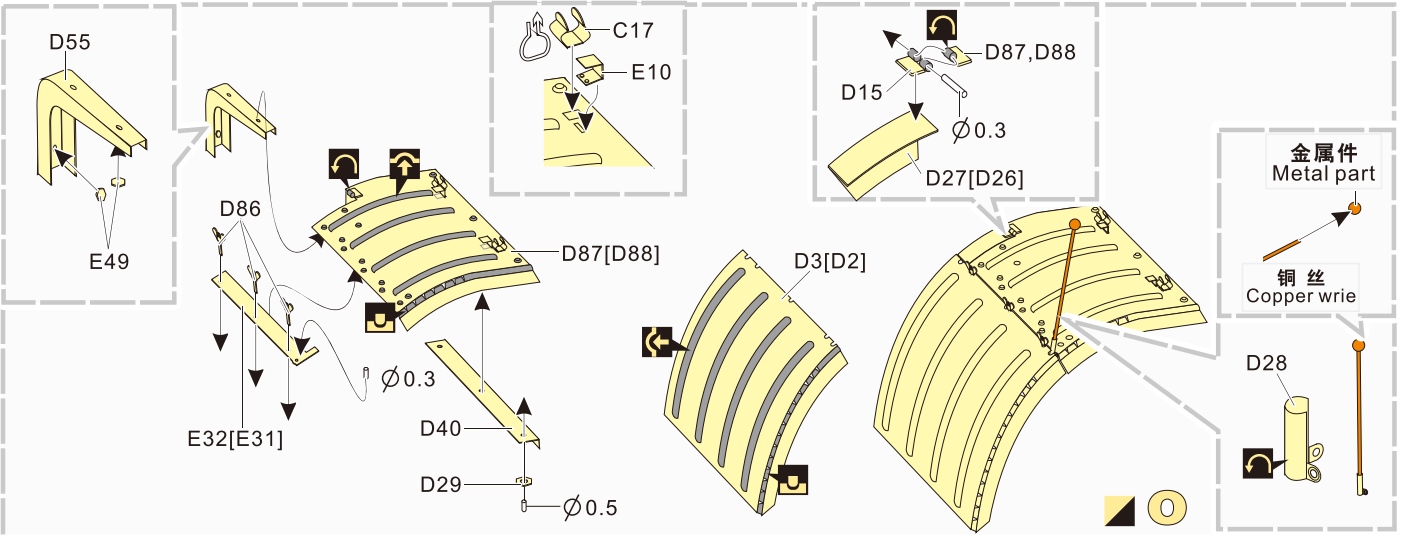
D83, **e**, **推荐 PEA070 VOYAGERMODEL PEA070 Recommended**

C10, **A39**, **A36**, **A35**, **A39**, **E28**, **A34**, **A36**, **A33**, **剖面 Cross section**, **l**

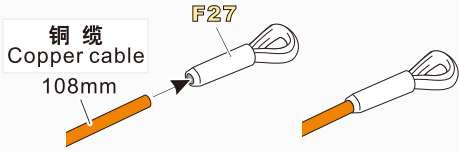
E33, **E21**, **E1**, **C6**, **x2 m**

E26, **B26**, **F36**, **j**, **f**, **g**, **n**

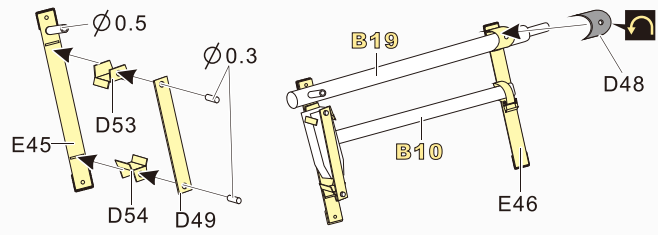
1/35 MILITARY MINIATURE VEHICLE UPGRADE SERIES PE351174



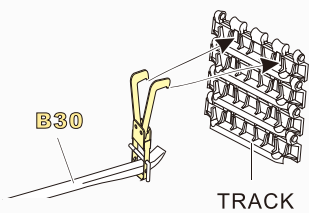
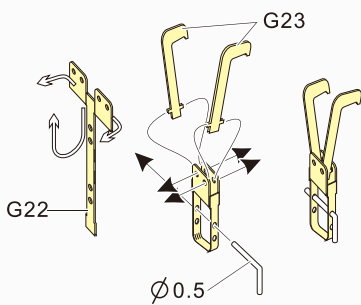
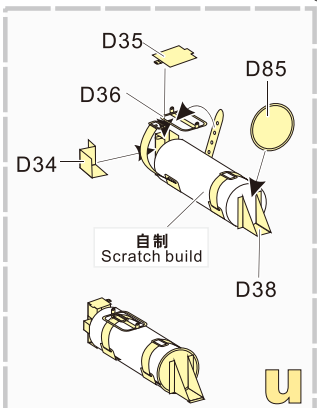
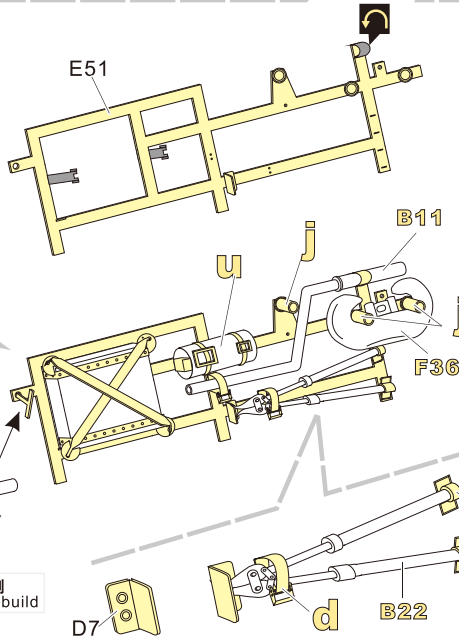
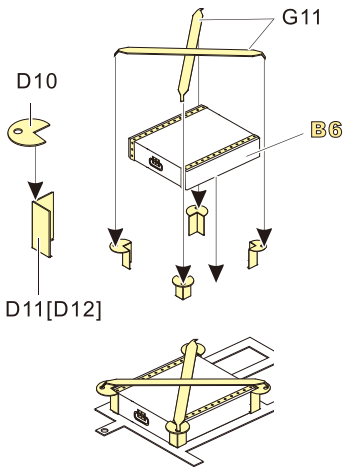
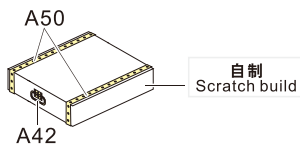
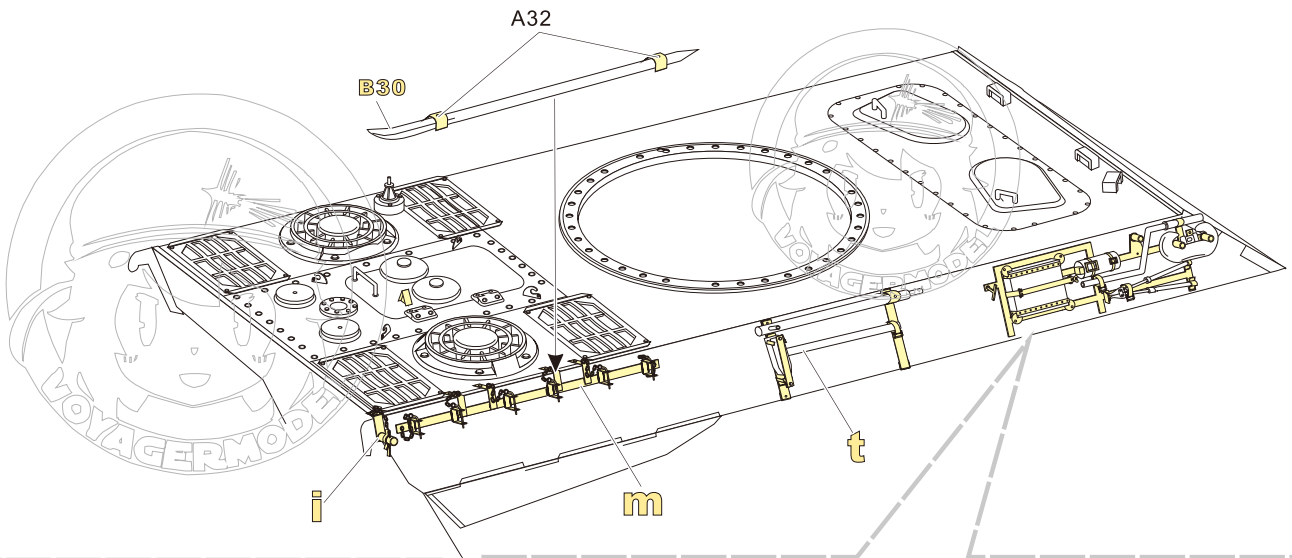
1/35 MILITARY MINIATURE VEHICLE UPGRADE SERIES PE351174



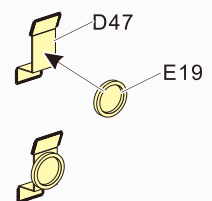
x4 S



t

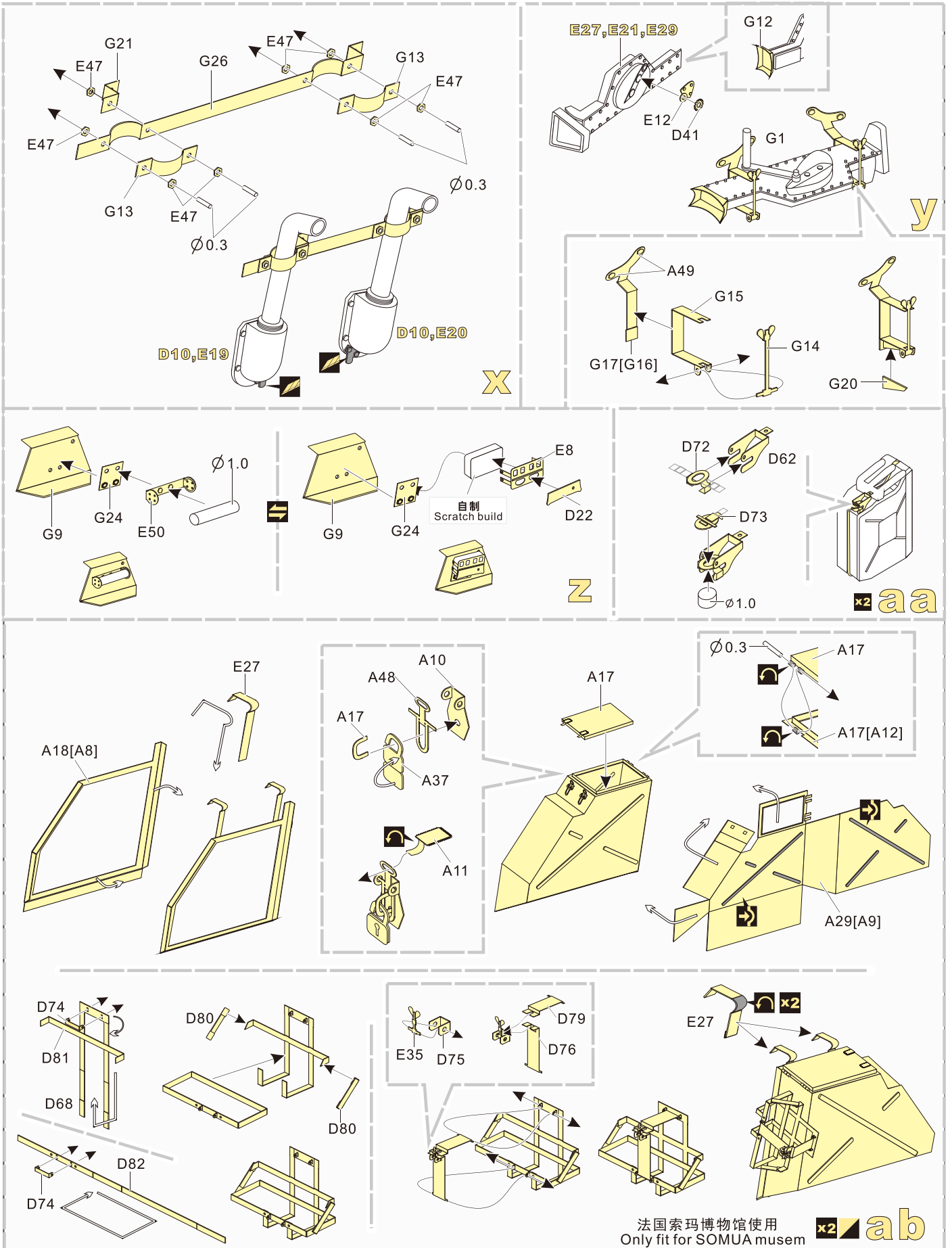


⇌ V

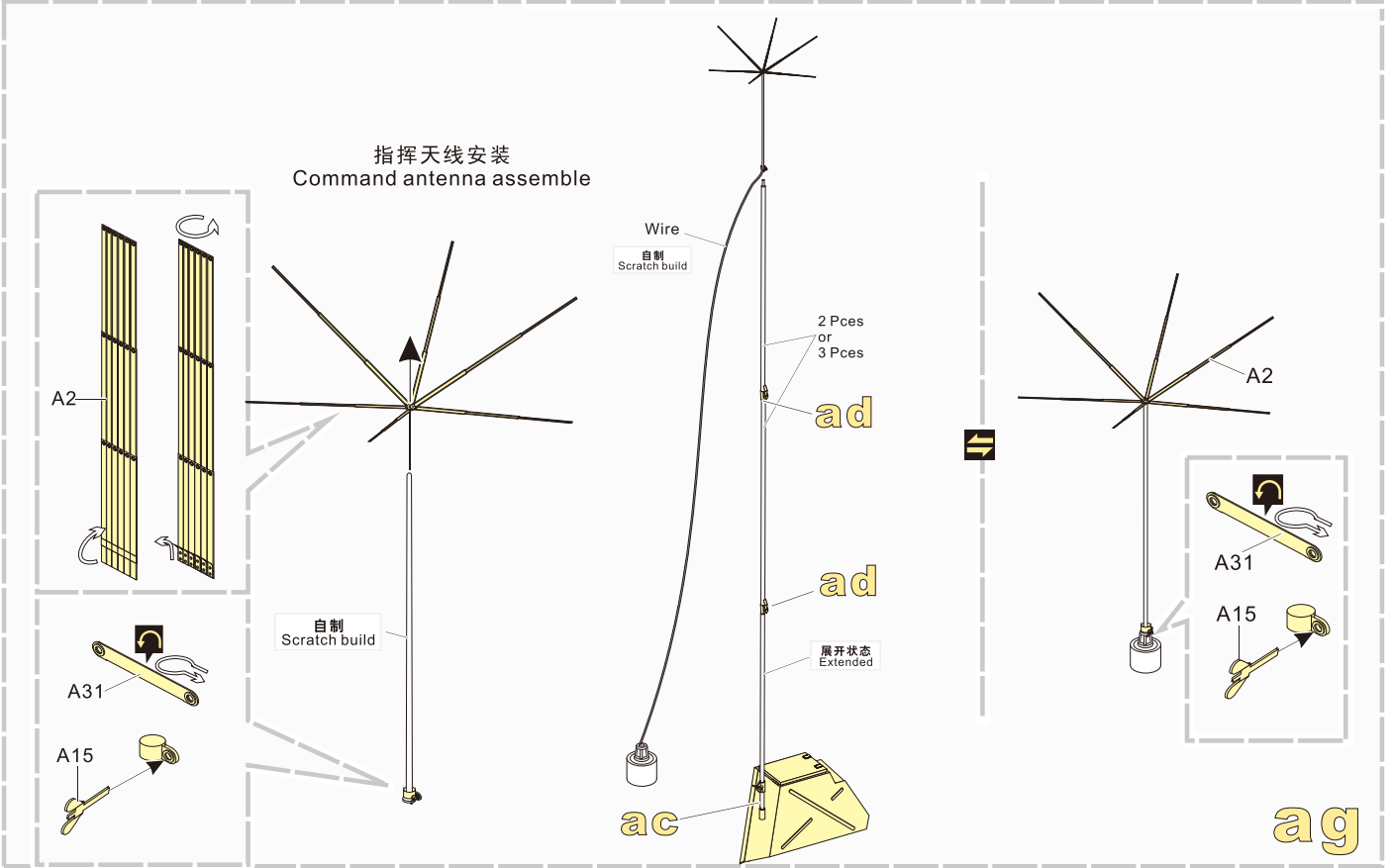
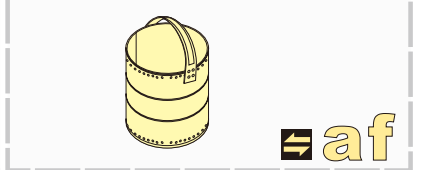
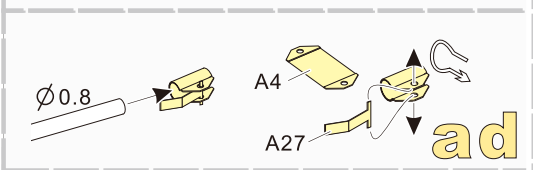
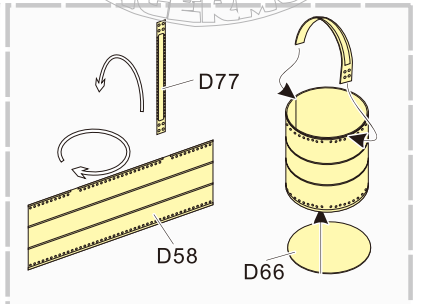
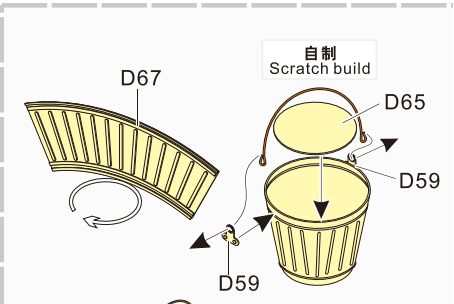
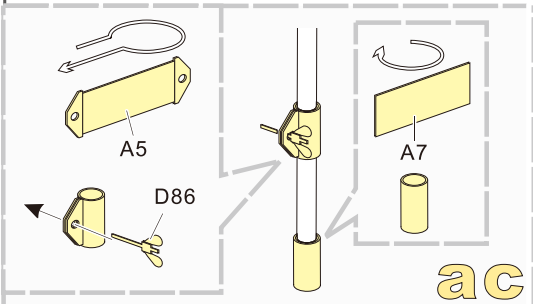
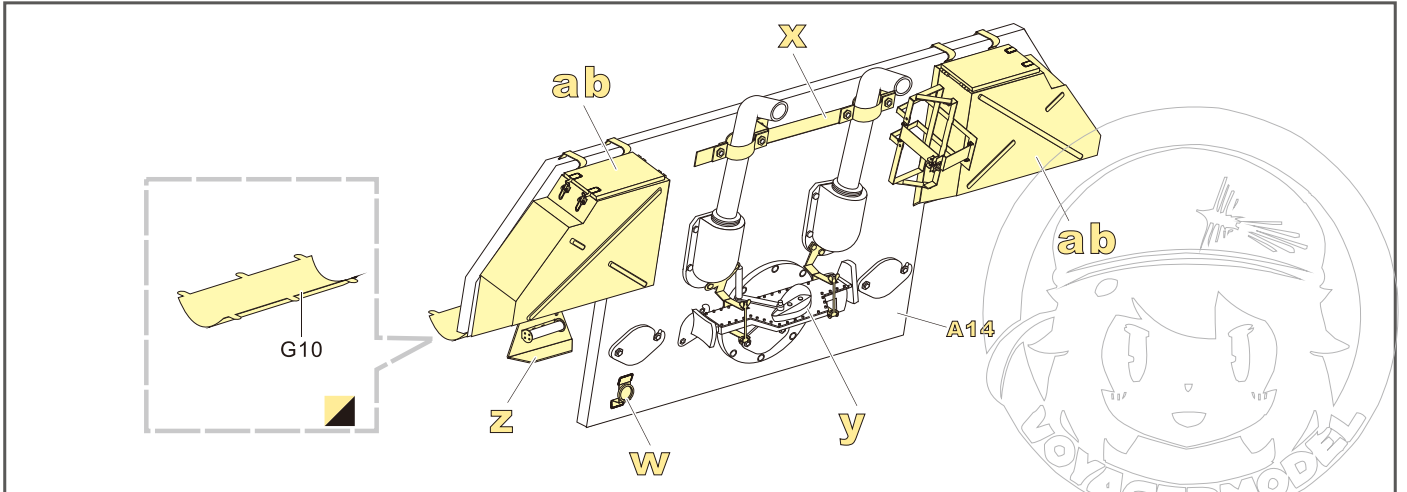


W

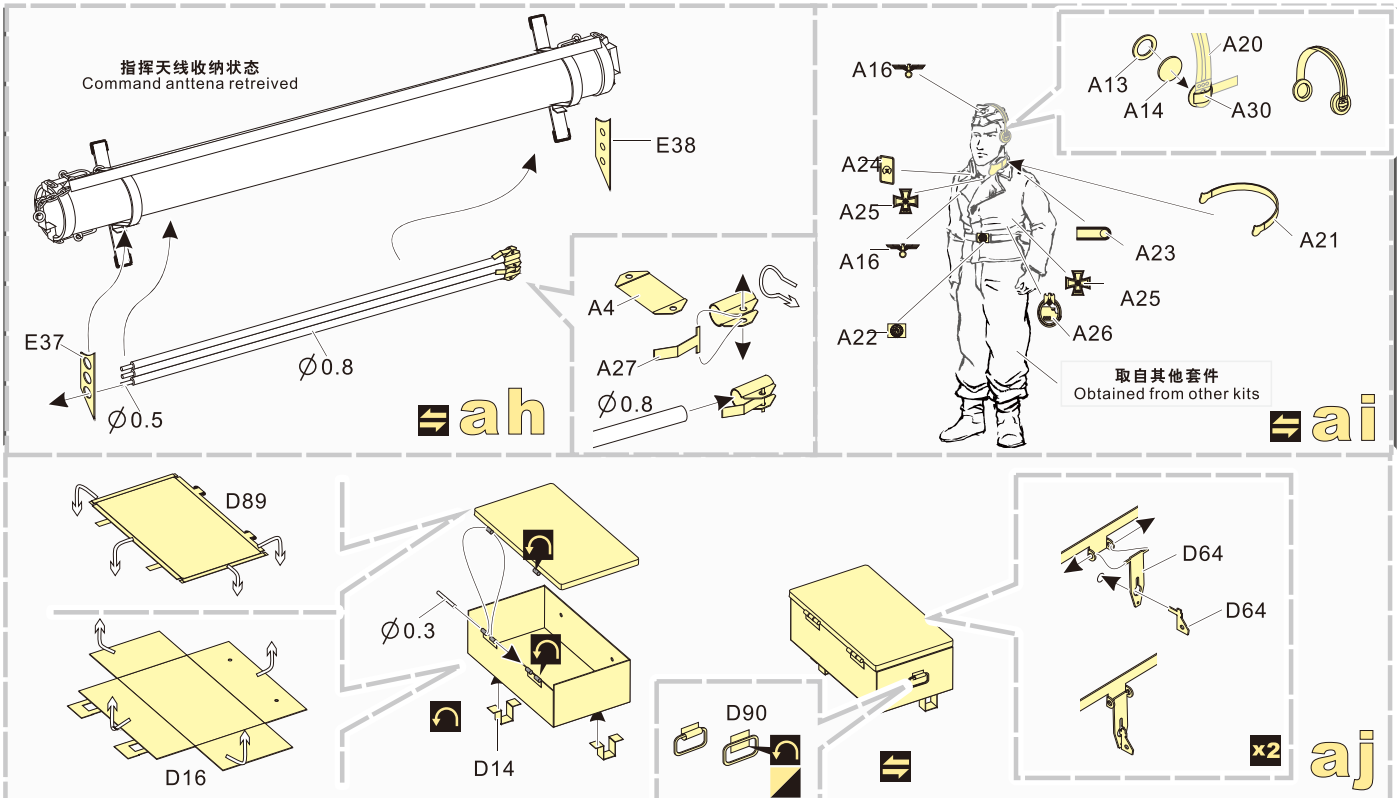
1/35 MILITARY MINIATURE VEHICLE UPGRADE SERIES PE351174



1/35 MILITARY MINIATURE VEHICLE UPGRADE SERIES PE351174



1/35 MILITARY MINIATURE VEHICLE UPGRADE SERIES PE351174



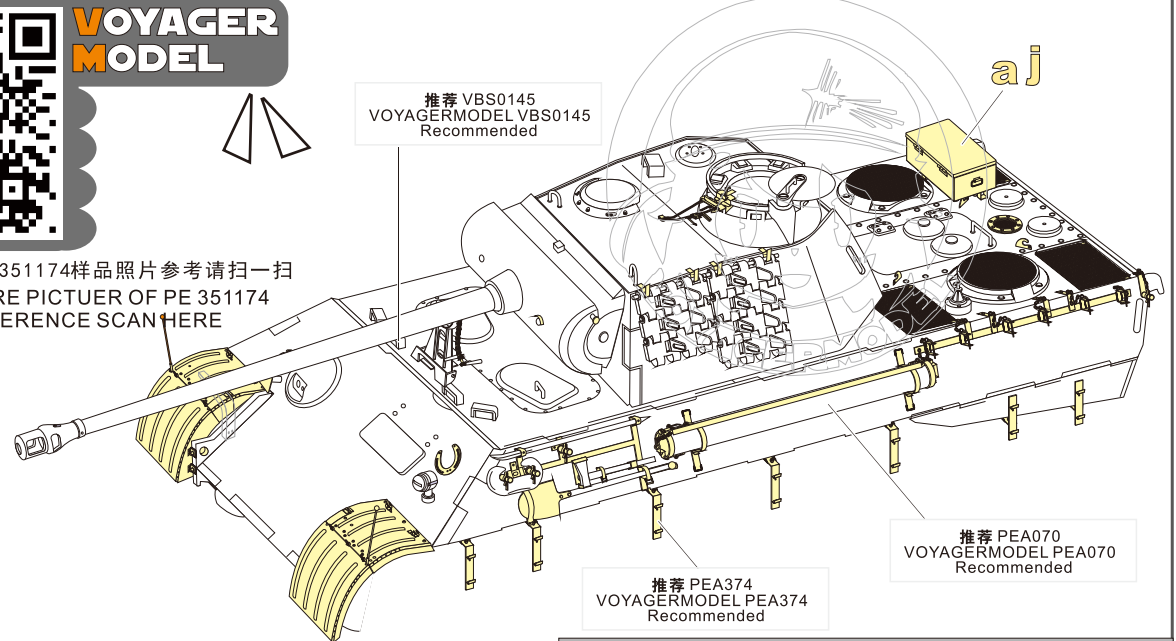
[Http://www.voyagermodel.com/productdetails.asp?itemid=PE351174](http://www.voyagermodel.com/productdetails.asp?itemid=PE351174)



**VOYAGER
MODEL**



更多PE351174样品照片参考请扫一扫
MORE PICTUER OF PE 351174
REFERENCE SCAN HERE



VOYAGERMODEL® 无微不至 极尽享受

Recommended item

PE 35869	WWII German Panther II tank basic
PE 35870	WWII German Panther II Prototype Design Plan basic
PE 35864	WWII German KINGTIGER Final version
PE 35733	WWII German Panther D Basic
PE 35741	WWII German Panther D Basic
PE 35083	WWII German Panther D
PE 35084	WWII German Panther A
PE 35144	WWII German DKW NZ350 MOTORCYCLE
PE 35229	WWII Jagdpanther G1 Early Version
PE 35257	WWII German Berge-Panther mit aufgesetztem Pz. Kpfw.IV turret
PE 35517	WWII German BergePanther Ausf.D w/37mm FlaK37 (Gun barrel Includ)
PE 35288	WWII German Panther F Basic
PE 35365	WWII German Flak Panther Ausf D w/ FlaK 38

VOYAGERMODEL® 无微不至 极尽享受

Recommended item

PEA 270	WWII German Panther A/G/F. JagdPanzer Demeged Road wheels
PEA 408	WWII German Panther D AntiAircraft Armor
VBS0143	WWII German KwK42 L/70 Gun Barrel for Panther A/G
VBS0144	WWII German KwK42 L/70 Gun Barrel for Panther A/G
VBS0145	WWII German KwK42 L/70 Gun Barrel for Panther D
PE 35882	WWII German Panther G Early ver.Basic
PE 35883	WWII German Panther G Later ver.Basic
PE 35804	WWII German Panther D V2 Basic
PE 35798	WWII German Panther G Later ver.Basic
PE 35803	WWII German Pz. Kpfw.IV Ausf.J (mit Panther F turret)
PE 35772	WWII German Panther A early ver. Basic
PE 35796	WWII German Panther D Basic
PE 35797	WWII German Panther G Early ver.Basic
PE 35867	WWII German Jagdpanther II tank destroyer basic