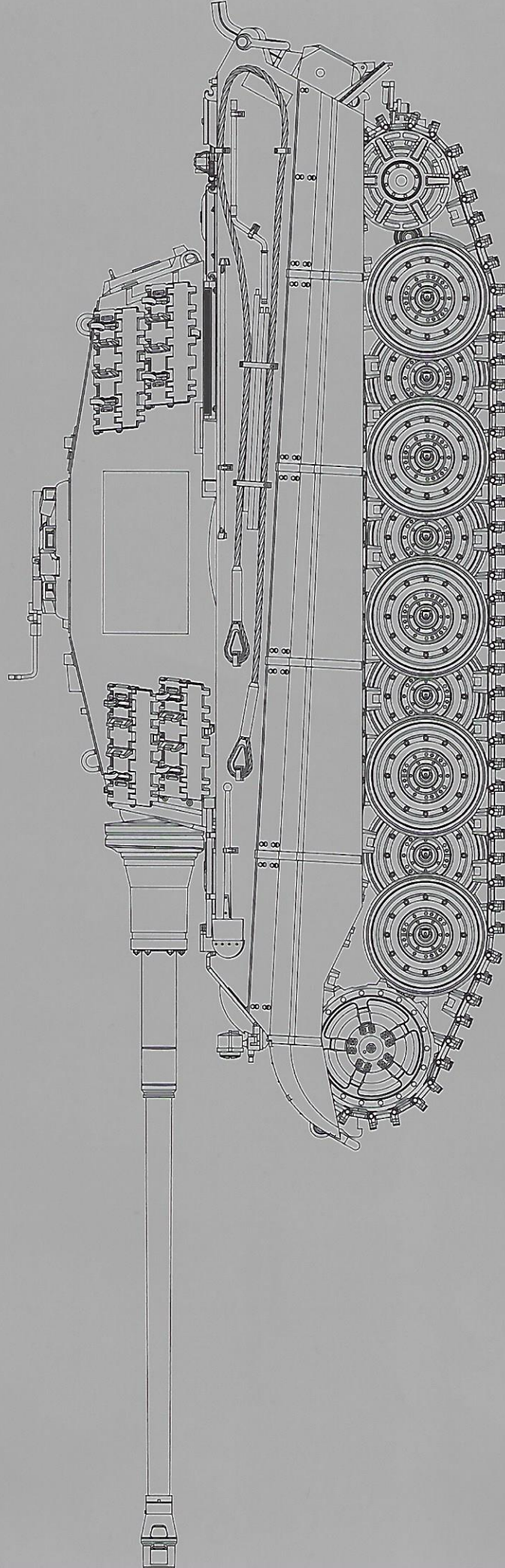


# KING TIGER

Sd.Kfz.182 Pz.Abt.505

HENSCHEL TURRET  
w/ZIMMERIT



the German Tiger Ausf. B, or King Tiger was arguably the very best tank that was put onto the battlefield during WWII, as well as the most costly. With each unit requiring some 300,000 skilled man-hours to complete, the King Tiger went into serial production in December 1943 at the Henschel factory in Kassel. At the peak of production it took only 14 days to complete, and by the end of the war 492 examples were ultimately produced of the 1500 units ordered due to the intense Allied bombing campaign.

With frontal armor reaching up to 150mm thick and side armor 80mm thick, this nearly 70 ton tank was built around the famous dual-purpose semi-automatic 88mm canon firing armor-piercing or high explosive rounds, the KwK 48 (L71) produced by Krupp, with the TZ.F.9b/1 binocular gun sight (later followed by the monocular TZ.F.9c) built into the cradle. This set-up allowed the tank to engage virtually any enemy tank before it could come within firing range. The Henschel production version carried 86 rounds of internally stored ammunition for the main gun. Additional armament came in the form of 3 Rheinmetall Maschinengewehr 34's with 5800 rounds; one mounted in a Kugelblende on the right bow position; one mounted coaxially to the main gun; one mounted externally to the commander's cupola.

This massive tank was mobilized by a OLVAR EG40 12 16B mechanical transmission with 8 forward and 4 reverse gears powered by a 690hp Maybach HL230 P30 gasoline engine, with a top speed of 25.8 mph (41.5 km/h). The crew of 5 consisted of the tank commander, the loader, the gunner, the driver, and the radio operator. The only other variant of the King Tiger was the Hunting Tiger, or Jagdtiger. With the exception of the initial prototype, all King Tigers were coated with Zimmerit until September 11, 1944.

The King Tiger dominated the battlefield in terms of capabilities, but often suffered from shortages of lubricants & fuels. These tanks proved themselves in battles ranging from Normandy, the Ardennes, Lake Balaton, and Berlin. Although they lived up to the expectations of the 'Wunderwaffe', the King Tigers were ineffective in stopping the overwhelming numbers of opponents they faced on the battlefield. Today there are a total of 11 King Tigers preserved around the world, with the rest having been long lost to the scrap yards.

This new King Tiger model kit represents the ultimate in dimensional accuracy for the first time through the unique feature of scale-thickness armor and a complete interior. For the first time in 1/35 scale we can appreciate the full experience inside this infamous tank, from the driver & radio operator in the fighting compartment to the loader, gunner, and commander in the turret, as well as the engine compartment complete with Maybach engine. Every detail inside & out was painstakingly measured from a surviving vehicle from s.SS Pz.Abt 501 abandoned by German troops in 1944 during the Battle of the Bulge, currently in storage at the U.S. Armor & Cavalry Museum at Ft. Benning, Georgia. In addition, the remaining variants of the King Tiger were carefully researched and are included in our collection as well.

03.02.2047S



# READ BEFORE ASSEMBLY

## CAUTION

## PAINTS REQUIRED

- Read carefully and fully understand the instructions before commencing assembly. A supervising adult should also read the instructions if a child assembles the model.
- When assembling this kit, tools including knives used. Extra care should be taken to avoid personal injury.
- Keep out of reach of small children. Children must not be allowed to suck any part, or pull vinyl bag over their heads.

Color info and profiles by Mig Jimenez

A.MIG 014	Rotbraun	A.MIG 039	Dark Tracks	A.MIG 038	Old Wood	A.MIG 037	New Wood	A.MIG 015	Schokobraun
A.MIG 041	Dark Rust	A.MIG 040	Gun Metal	A.MIG 002	Olivgrün Cp1,2	A.MIG 015	Dunkelgelb		



Optional  
Instant Glue  
for Metal



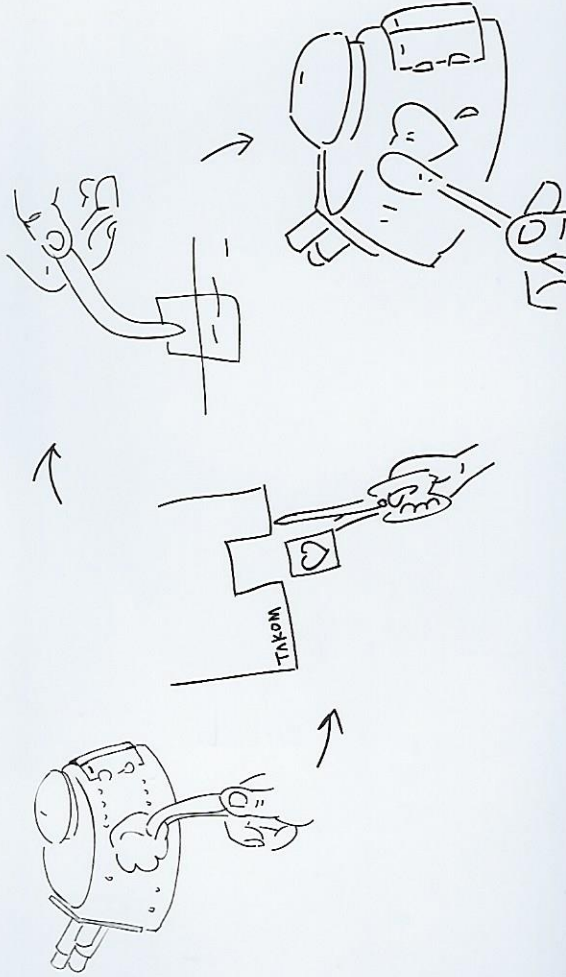
Apply Decal



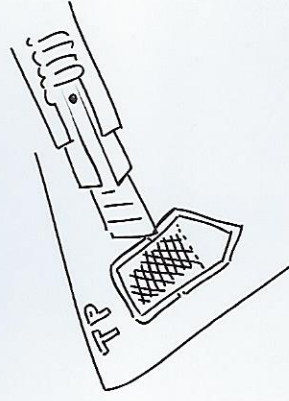
Remove  
Do Not  
Cement

## APPLYING DECALS

1. Clean the model surface with a wet cloth.
2. Cut out each decal design from sheet, and dip it in tepid water for 15~20 sec.
3. Hold the backing sheet edge and slide decal onto the model.
4. Move decal into position by wetting with finger.
5. Press decal gently down with a soft cloth until excess water and air bubbles are gone.



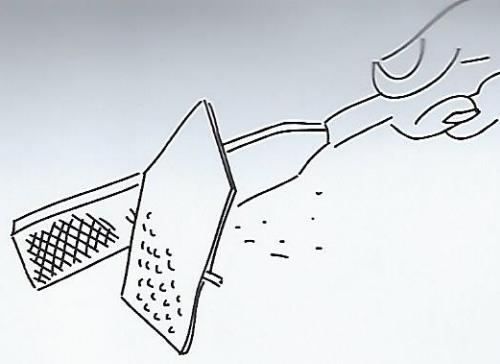
## REMOVING PE



Be careful not to hurt when removing PE parts.



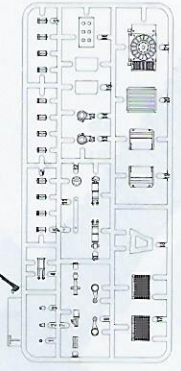
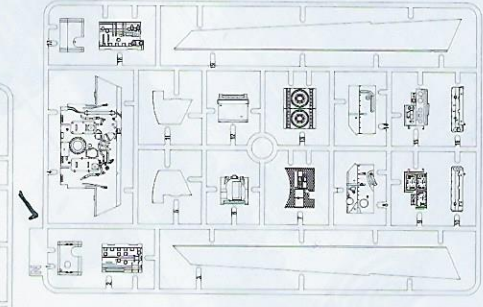
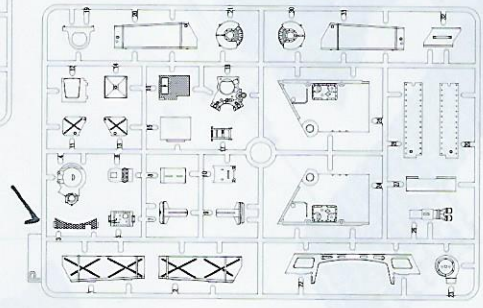
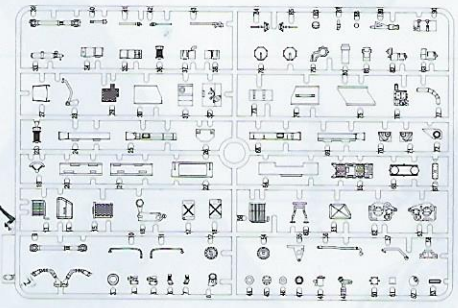
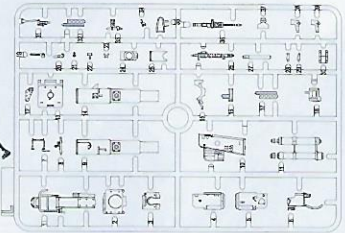
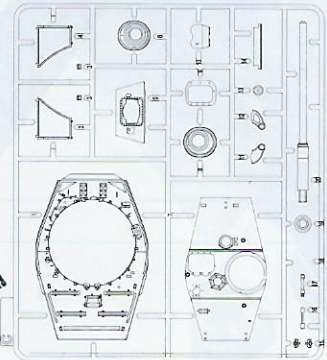
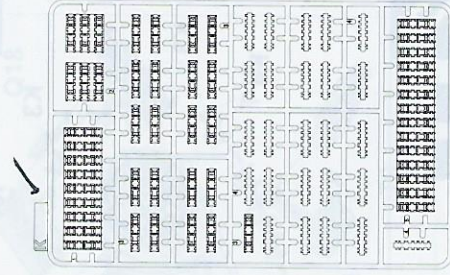
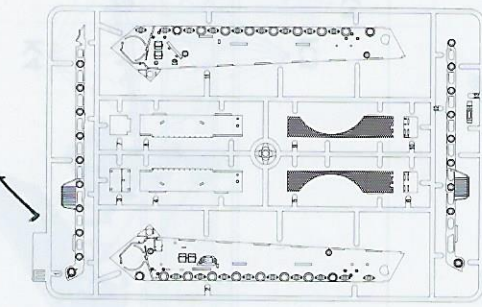
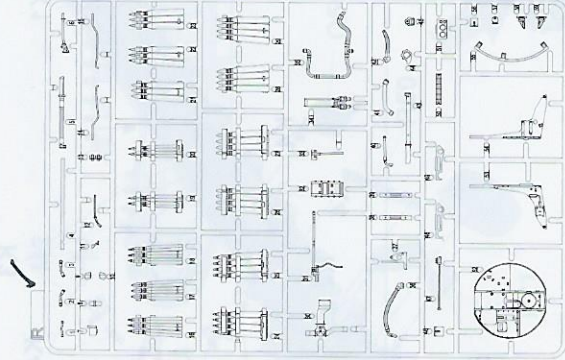
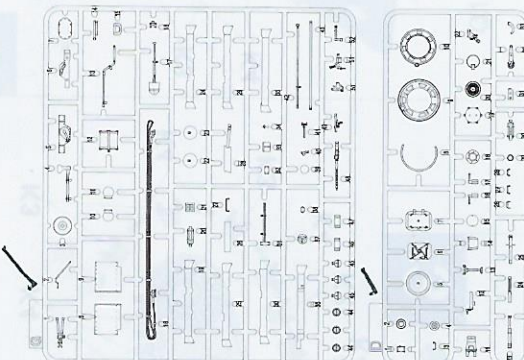
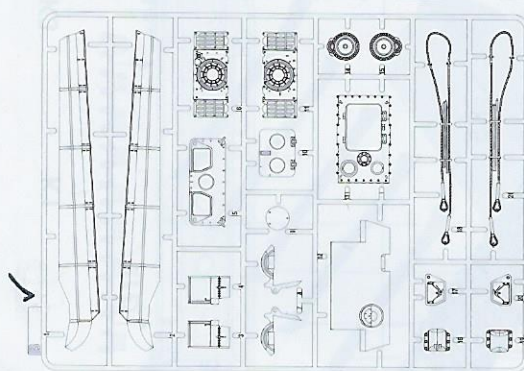
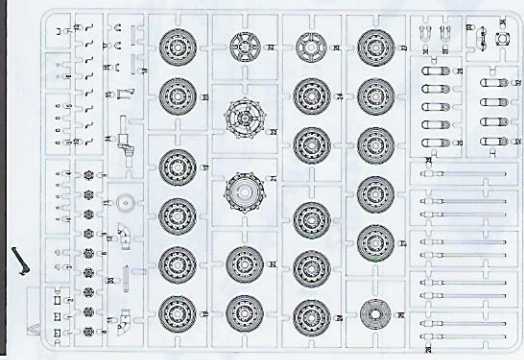
Secure using instant glue (not included).



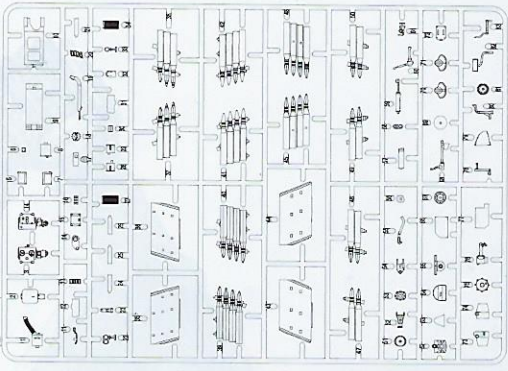
Finish using file.



# PARTS



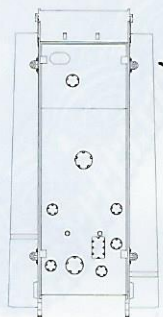
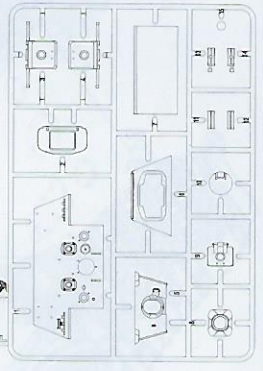
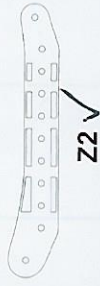
Turret



Decal



TP



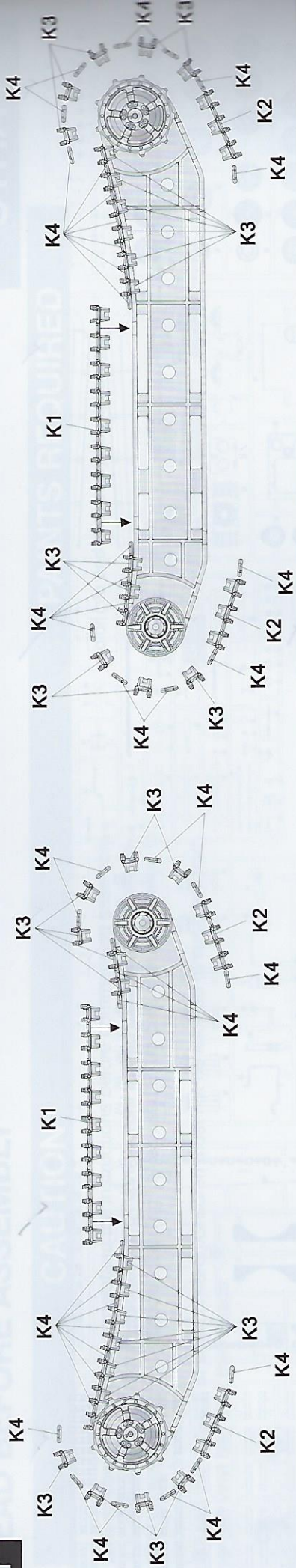
Lower Hull



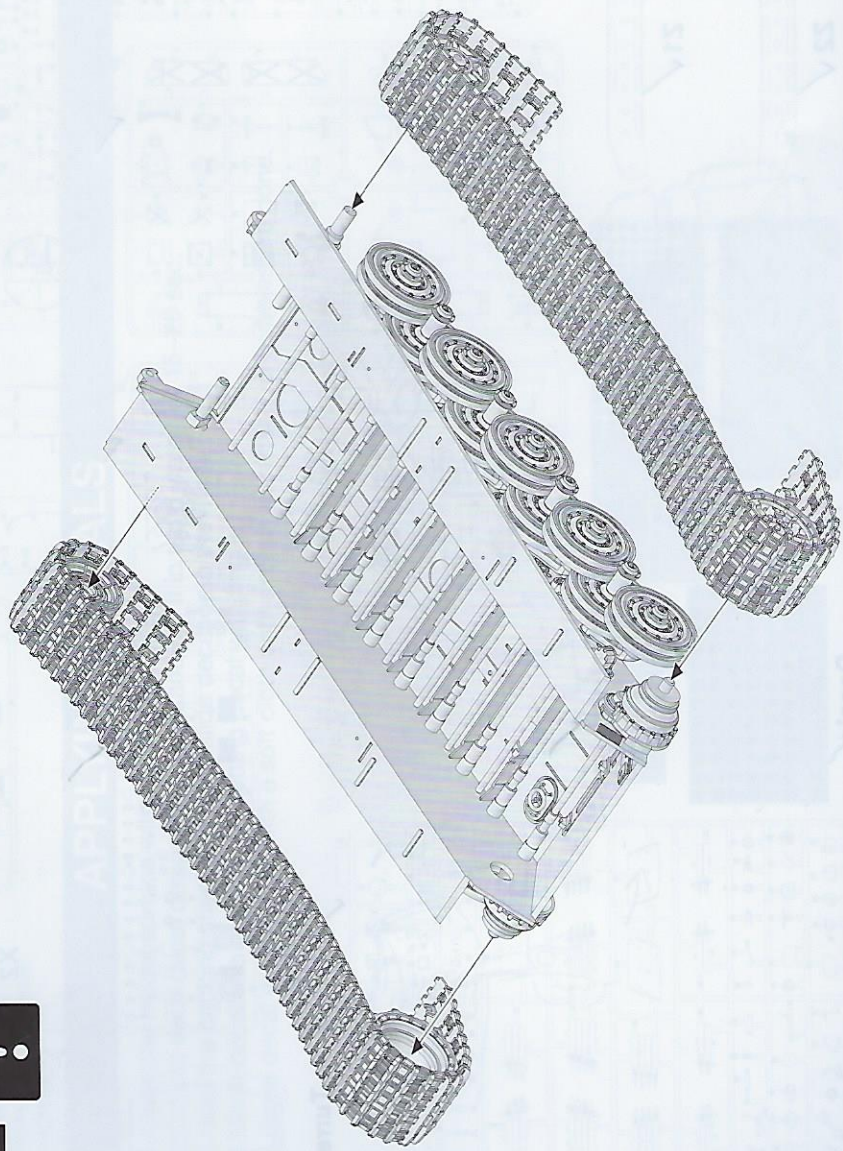
Upper Hull



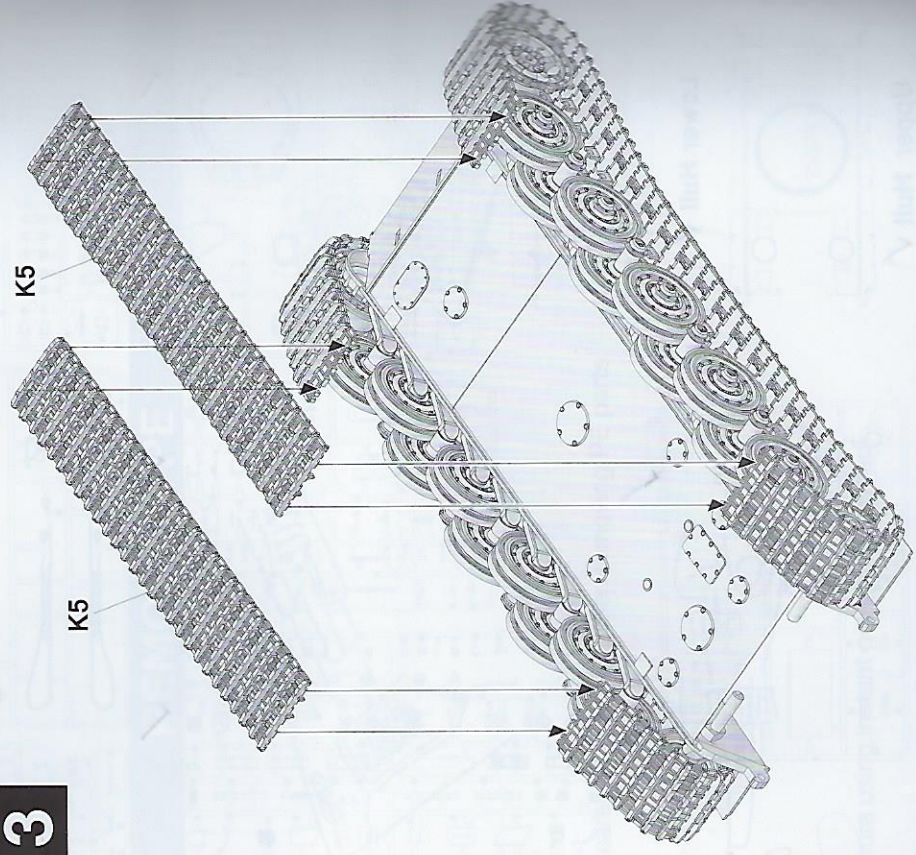
1



2

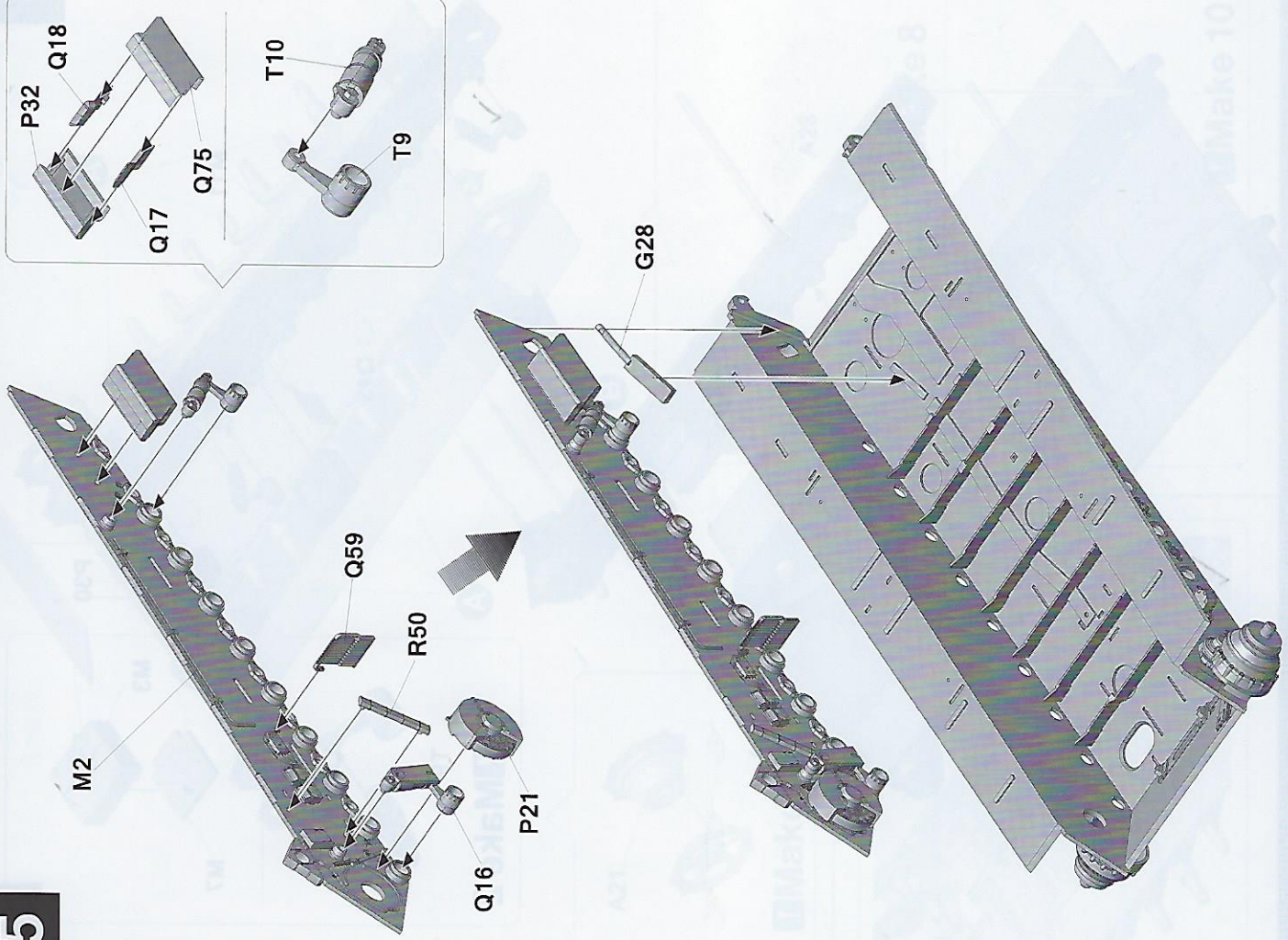
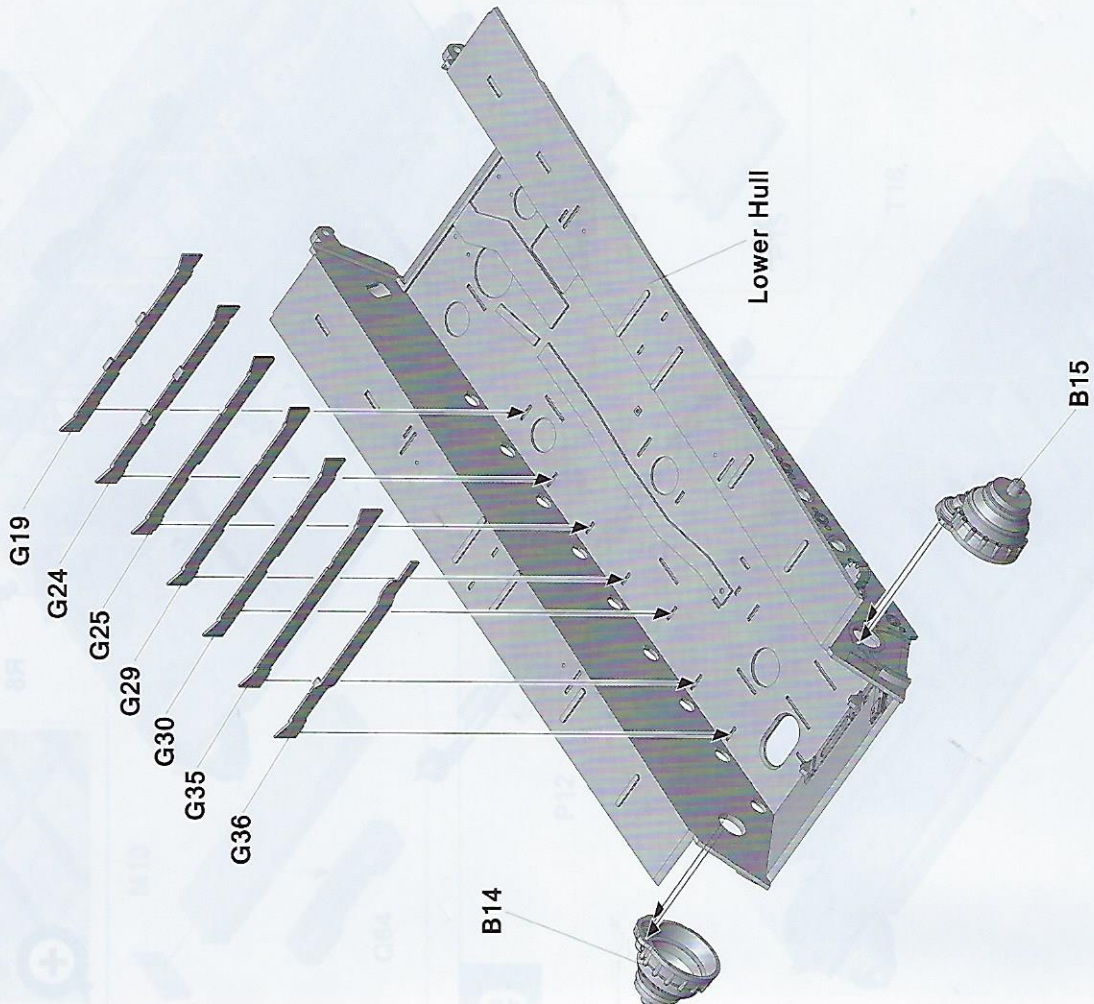


3

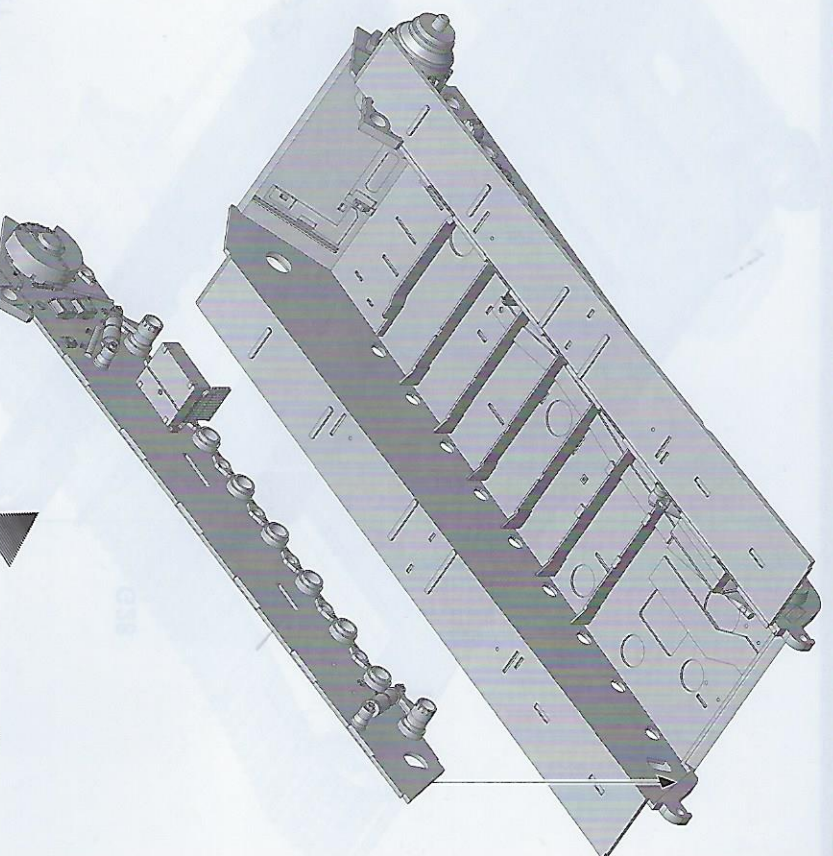
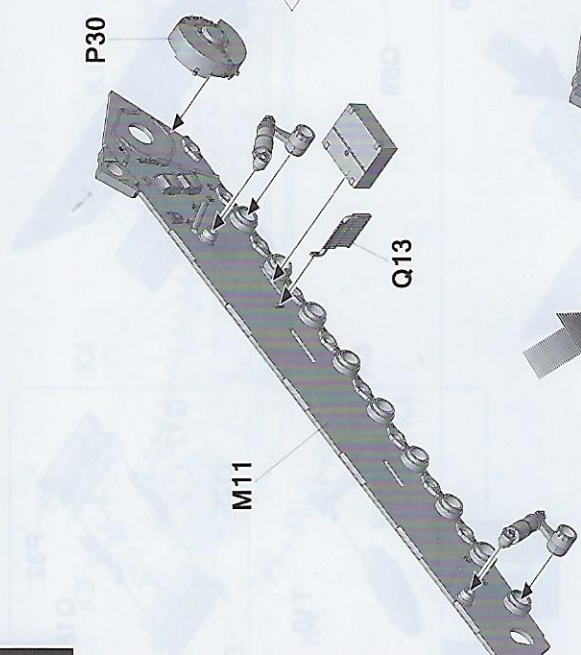
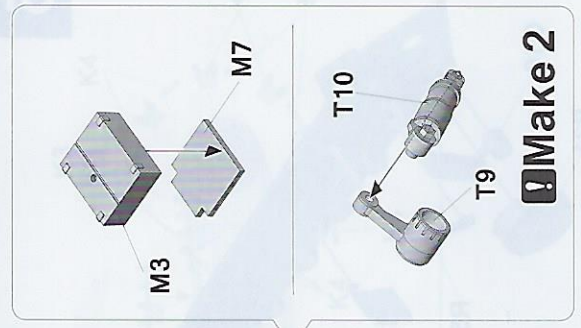
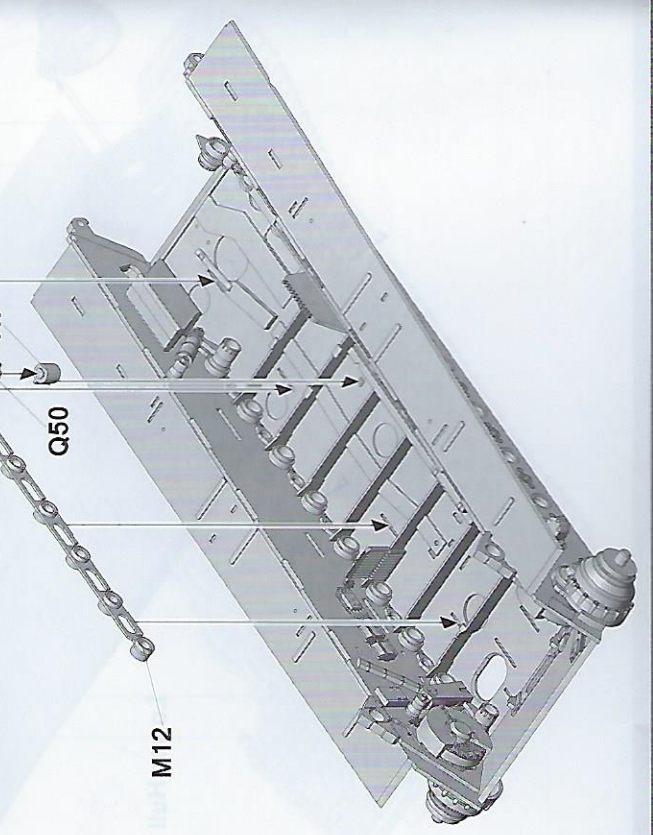
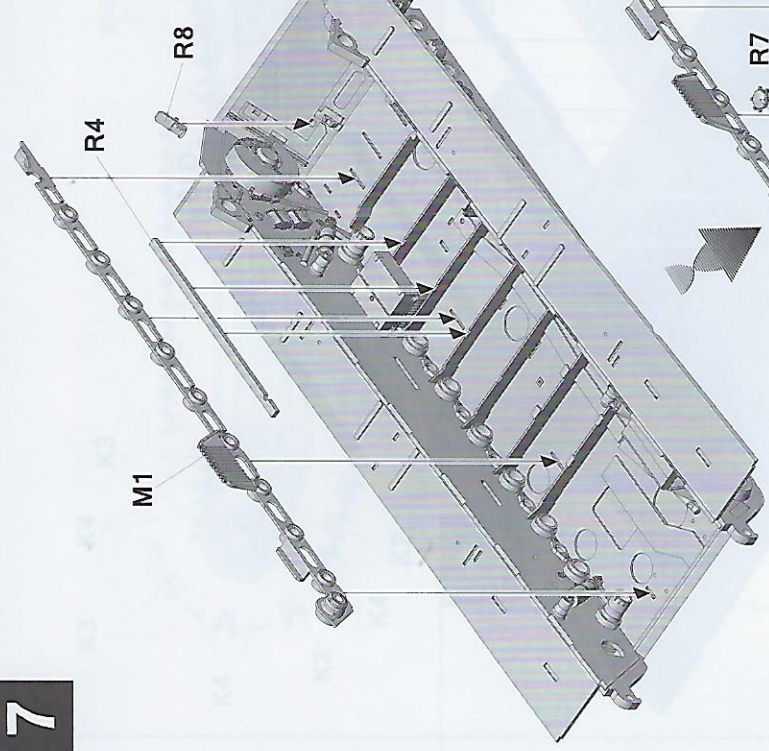


3

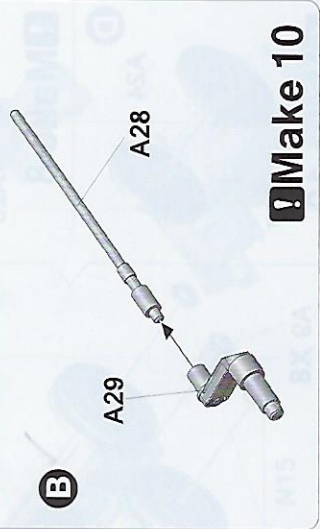
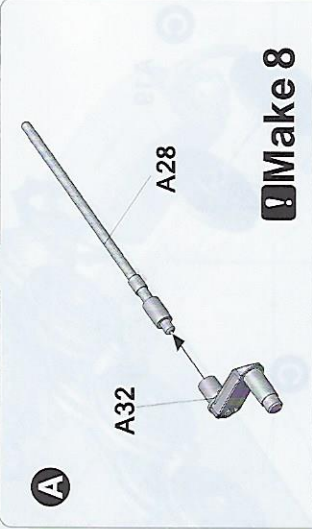
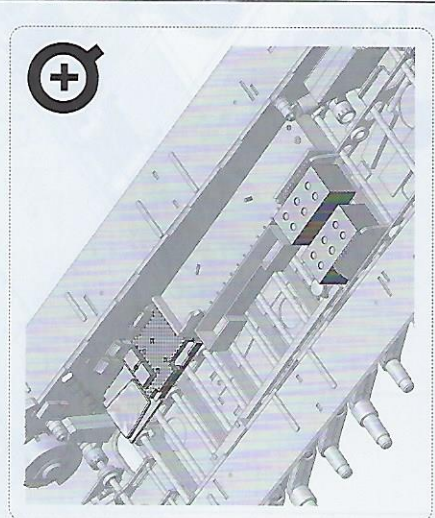
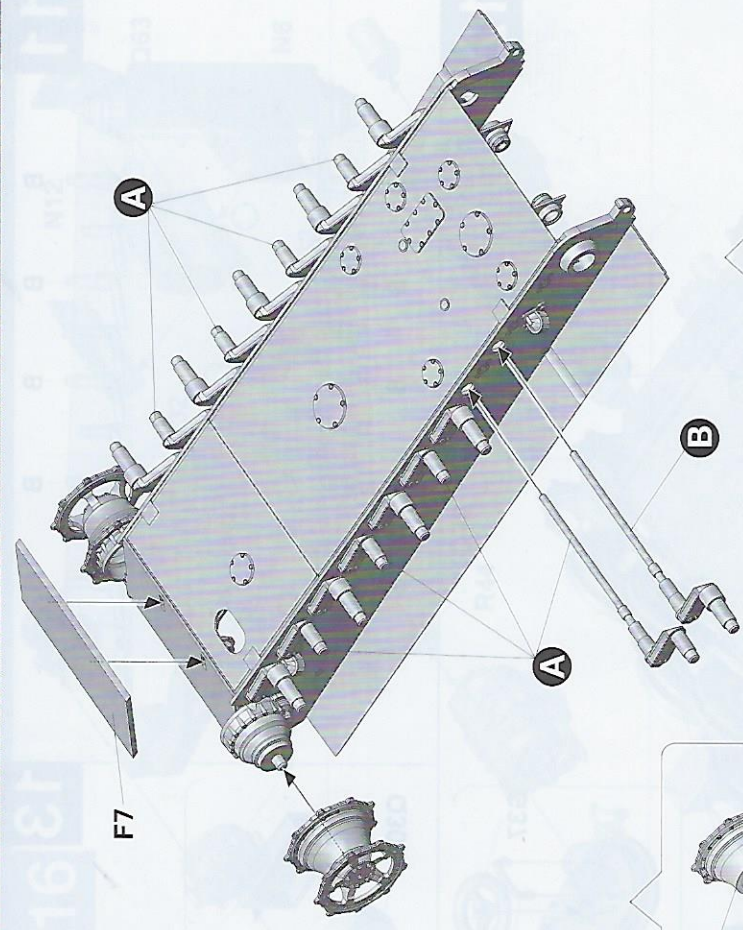
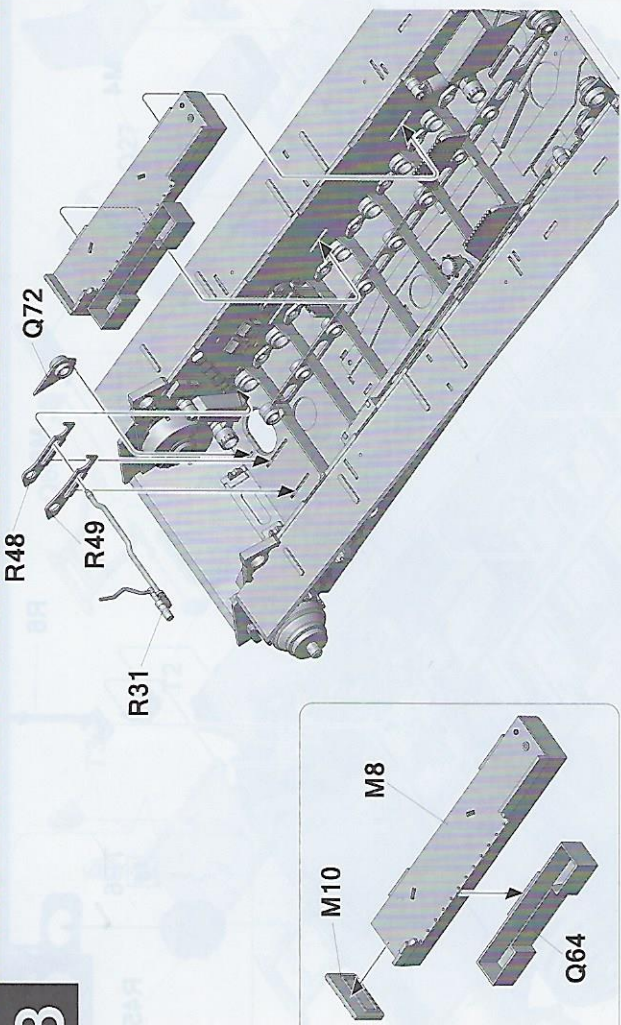






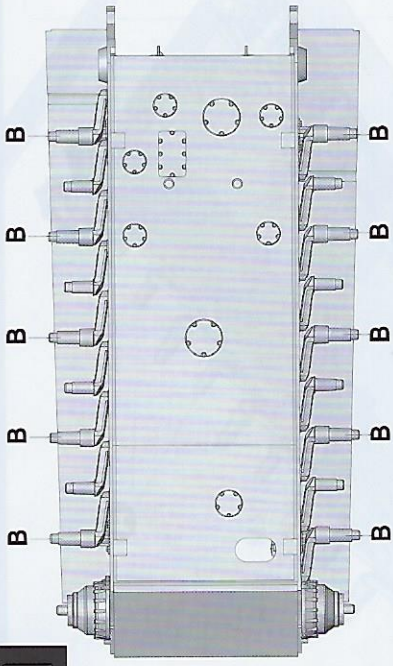




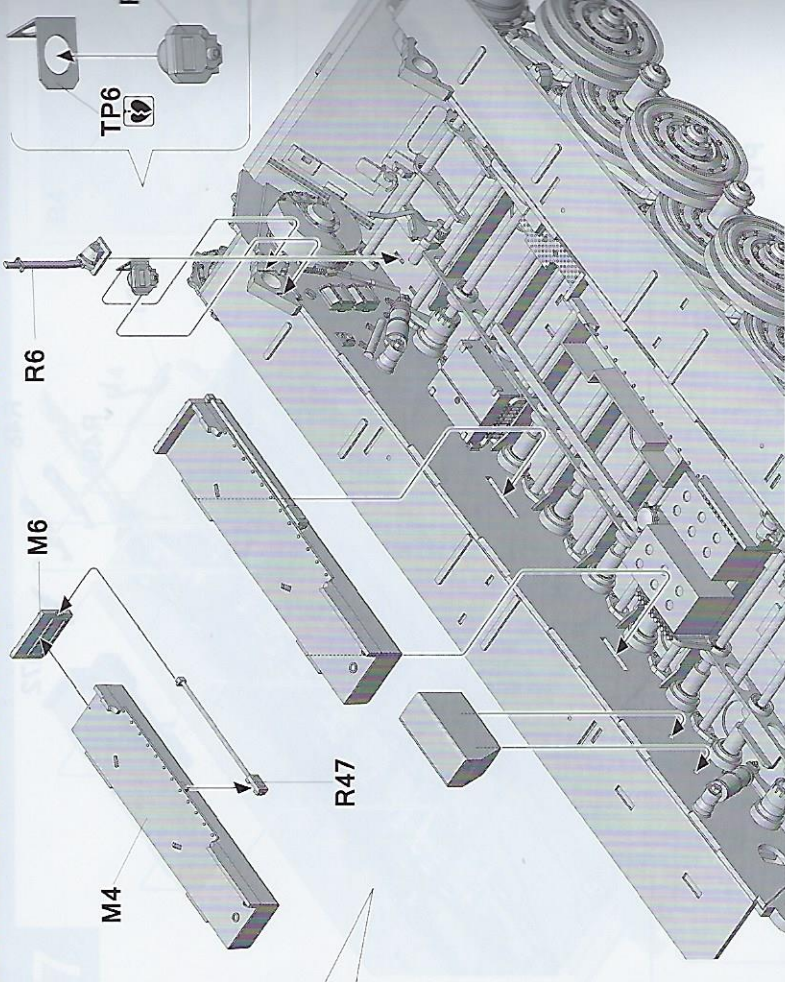
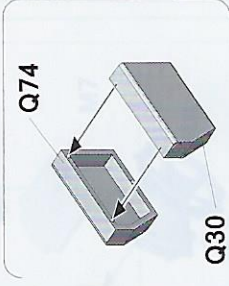




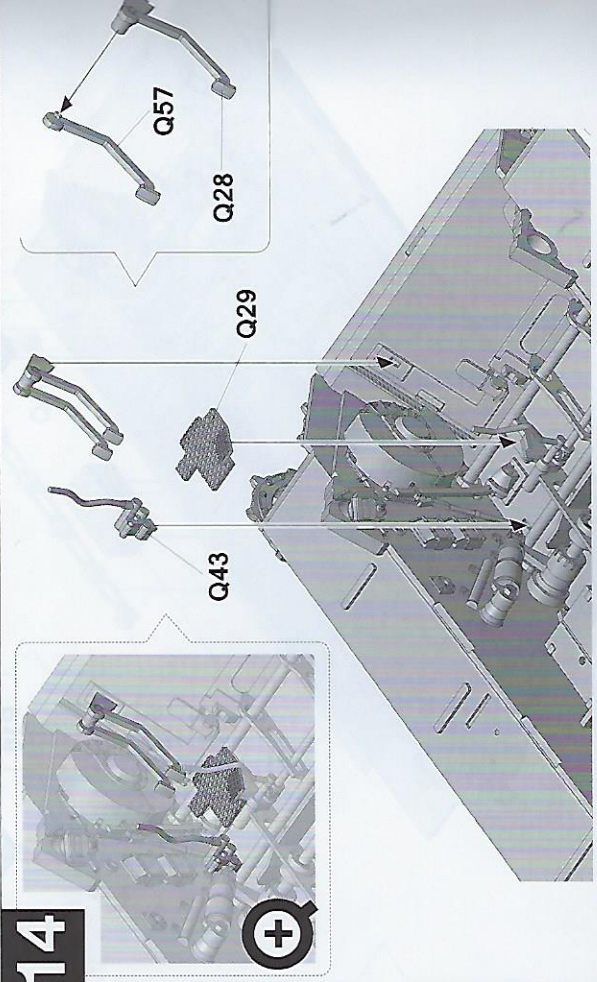
11



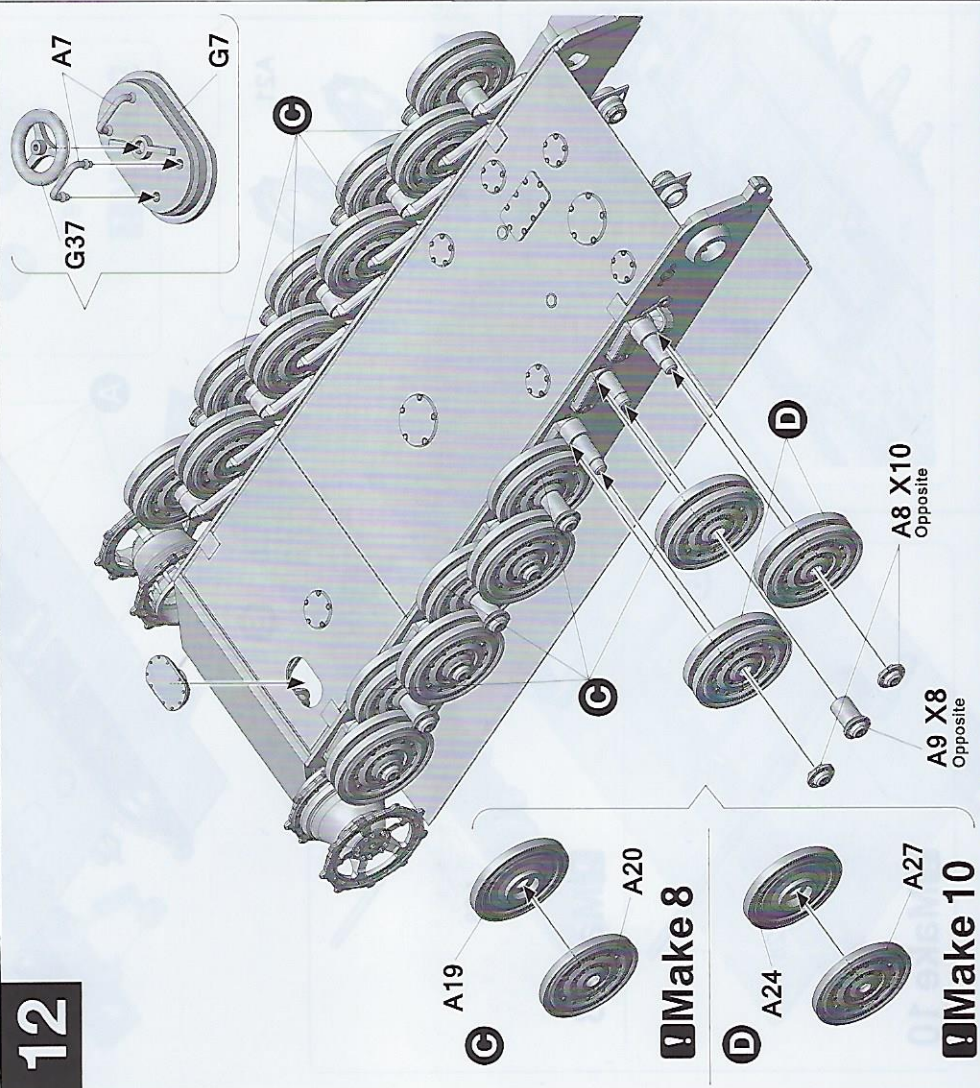
13



14



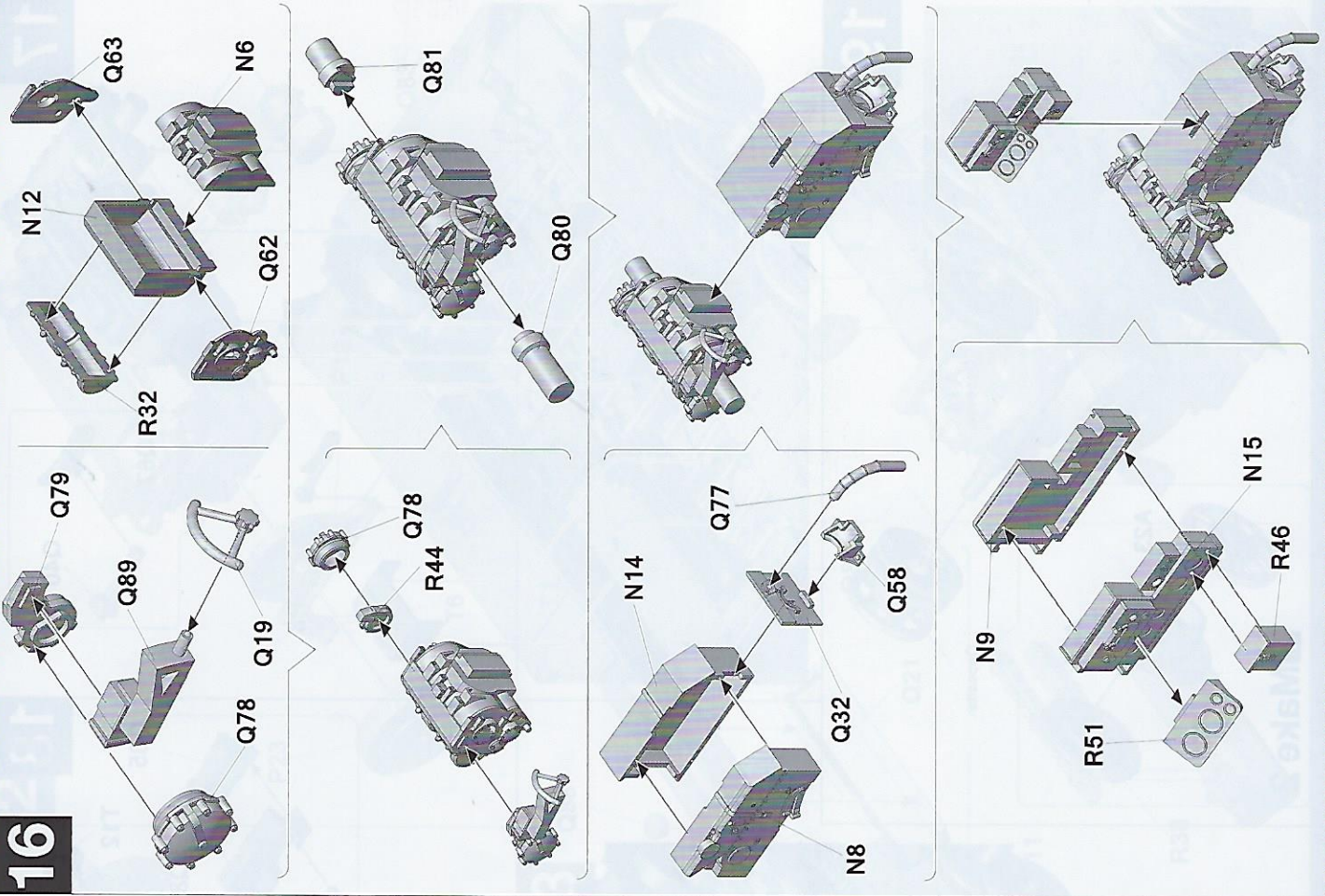
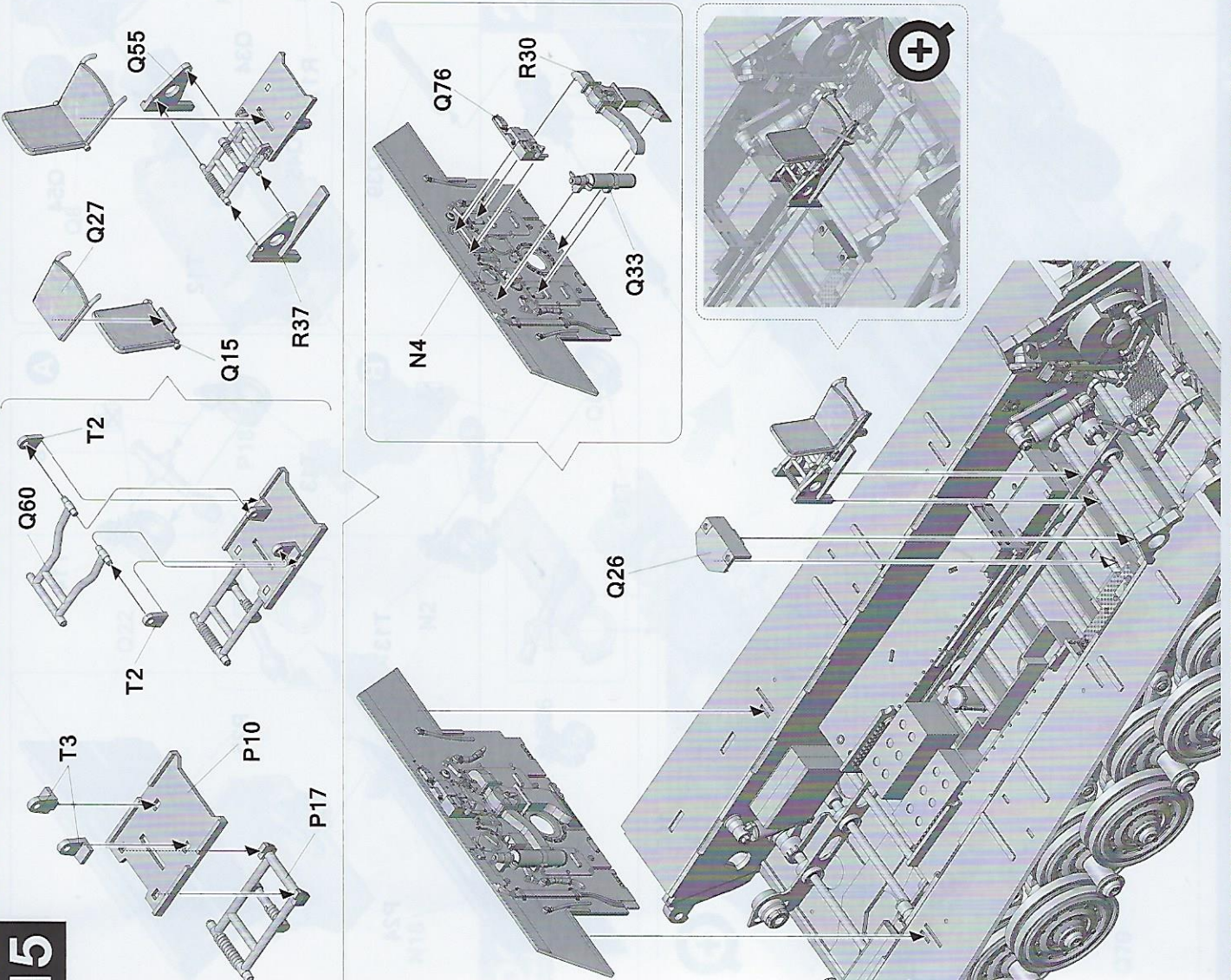
12



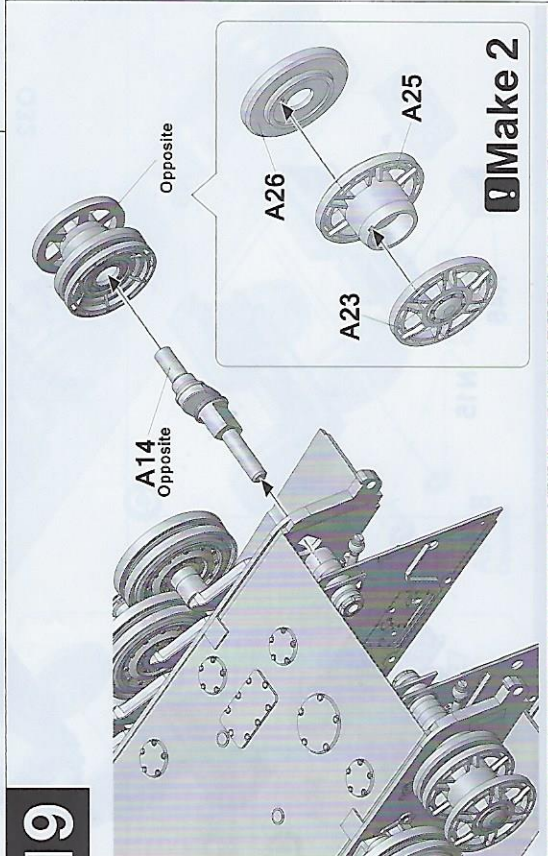
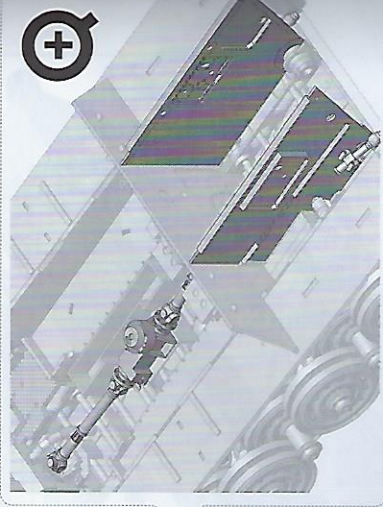
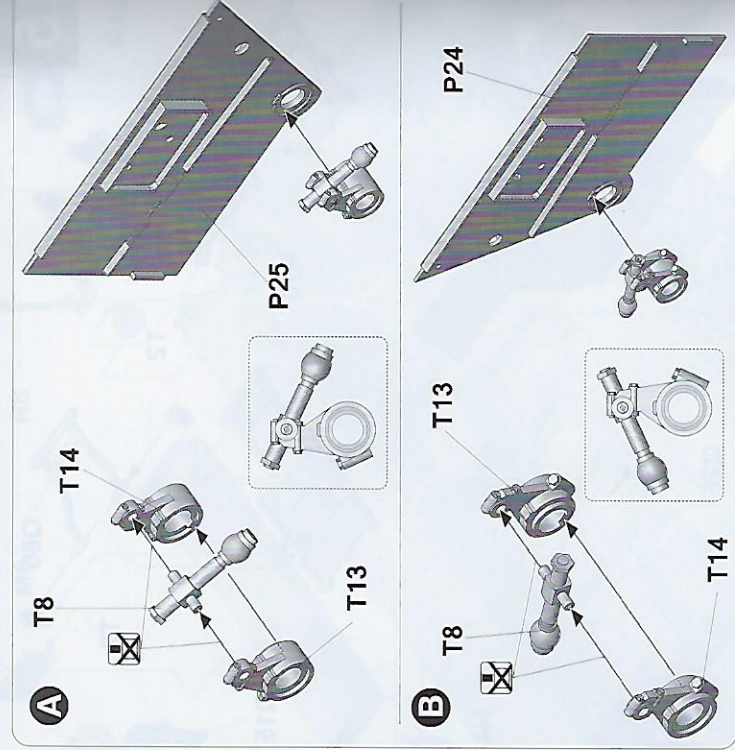
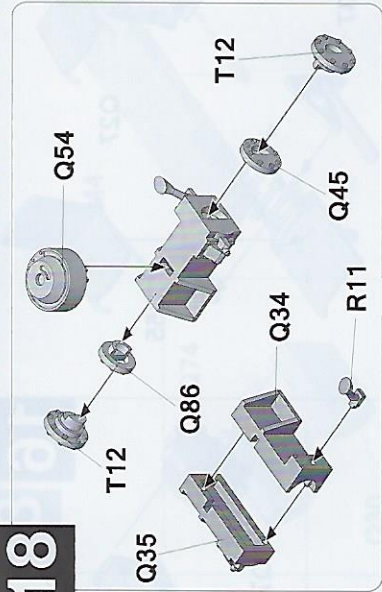
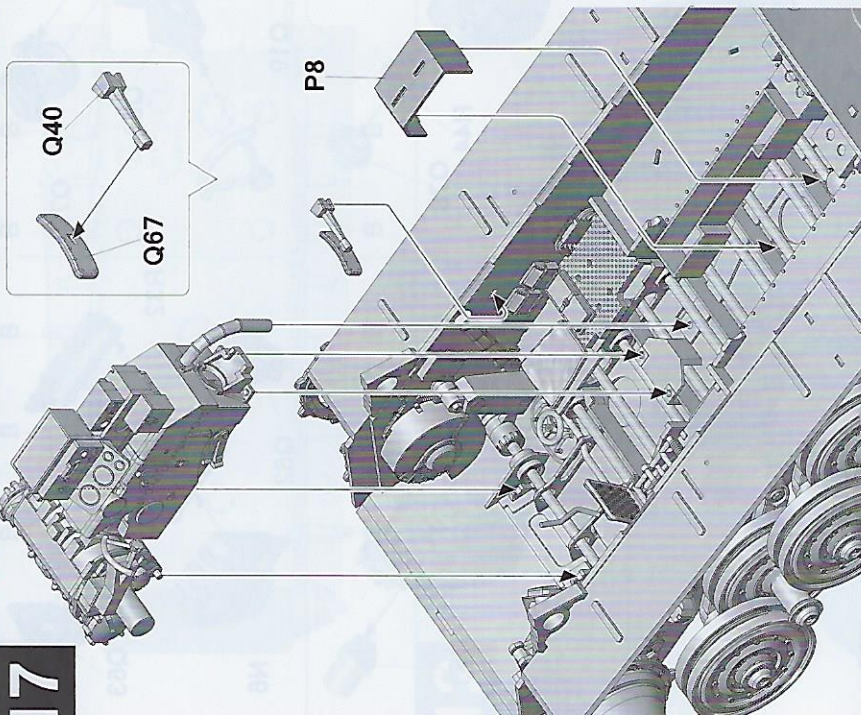
Make 8

Make 10



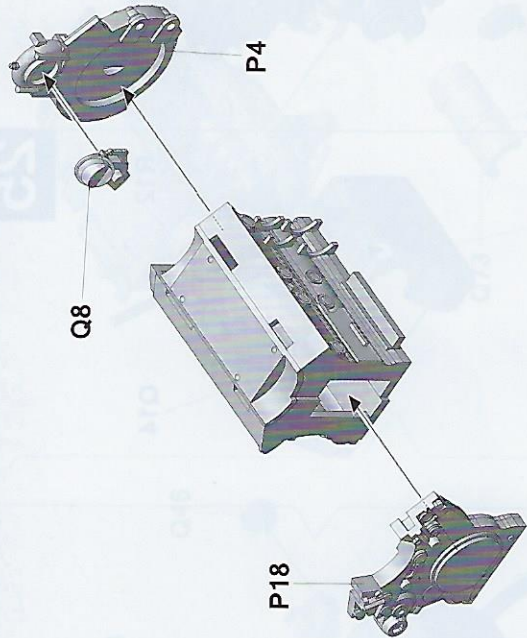
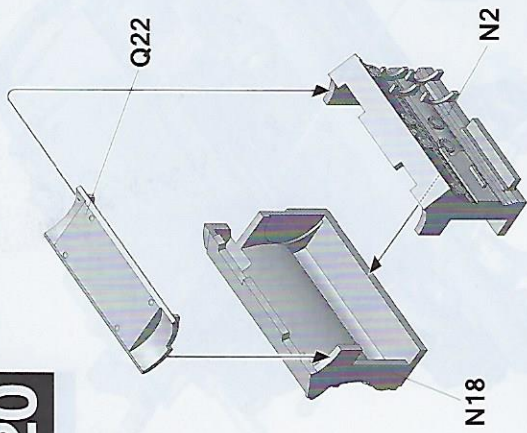




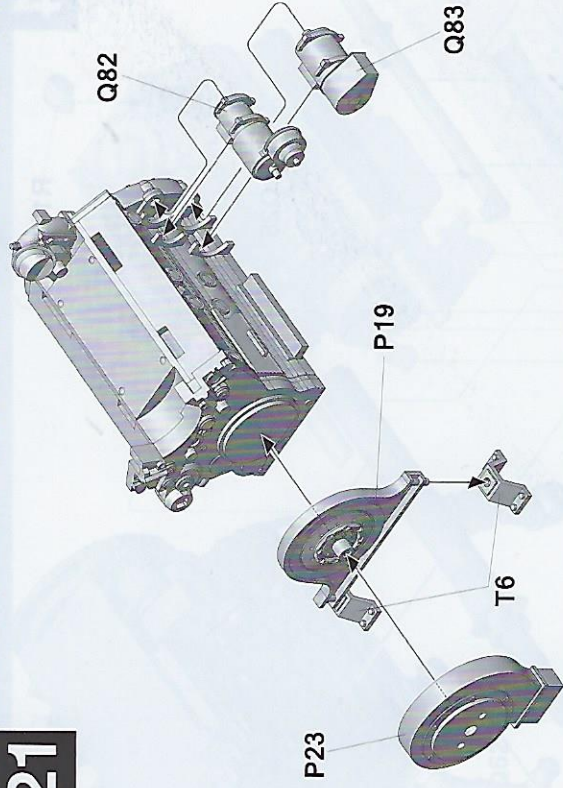




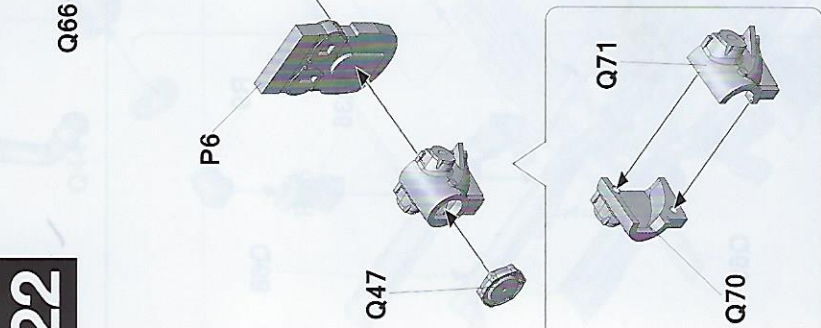
20



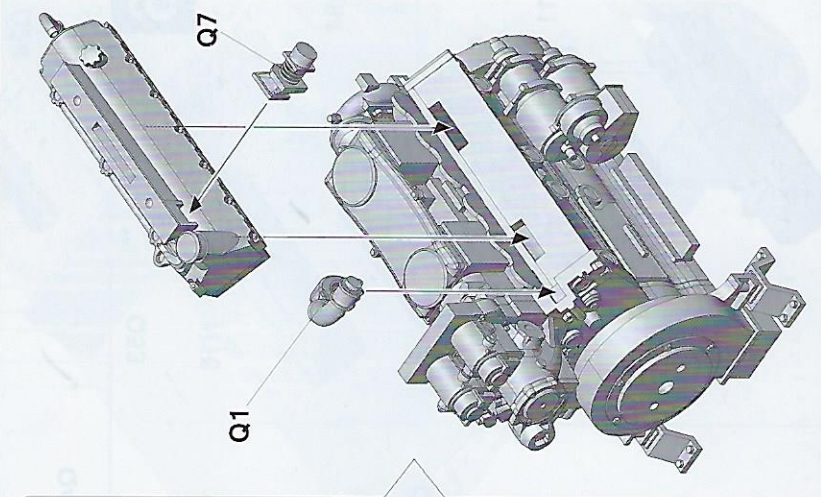
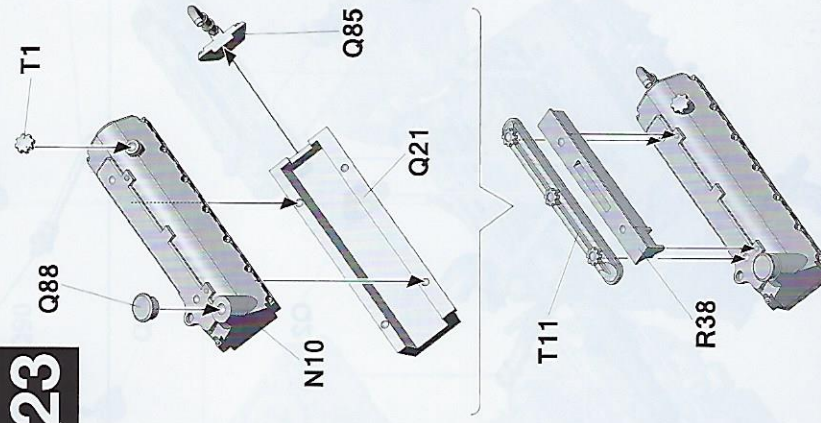
21



22

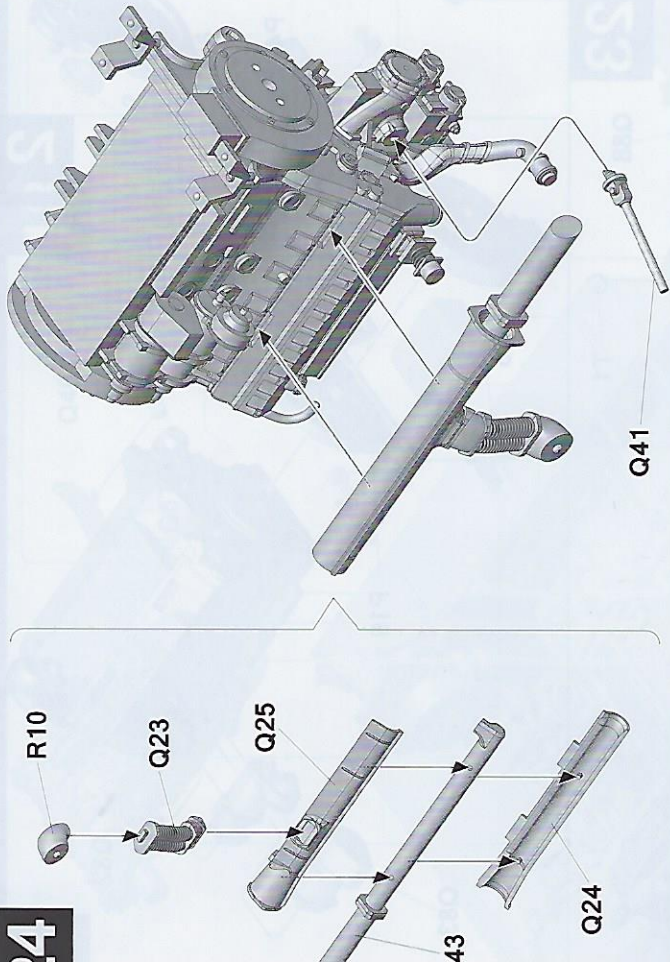


23

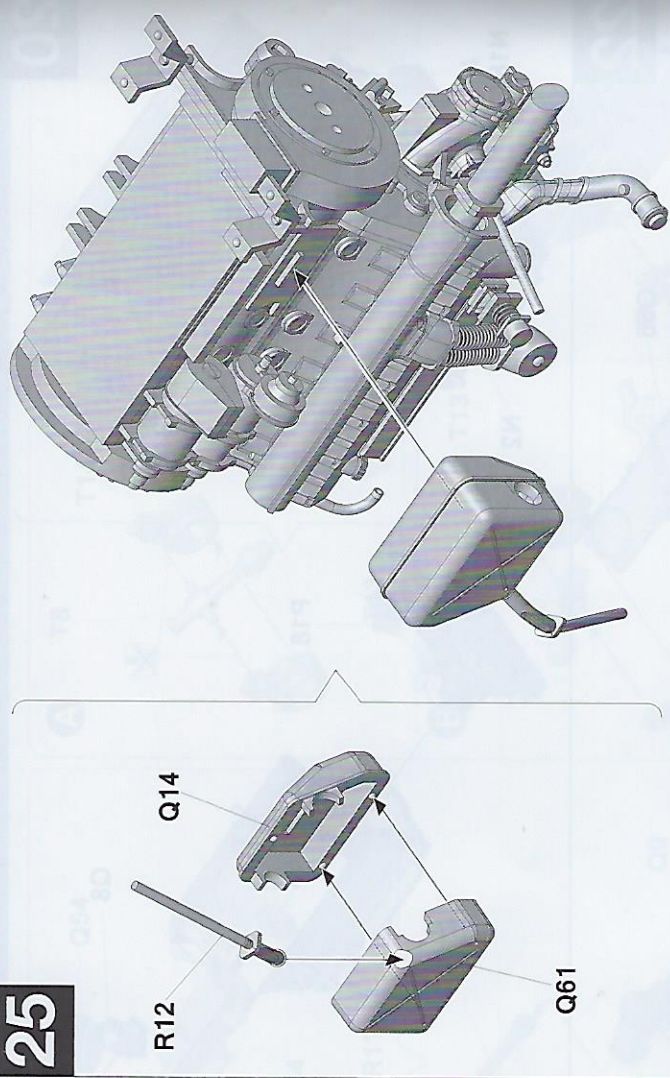




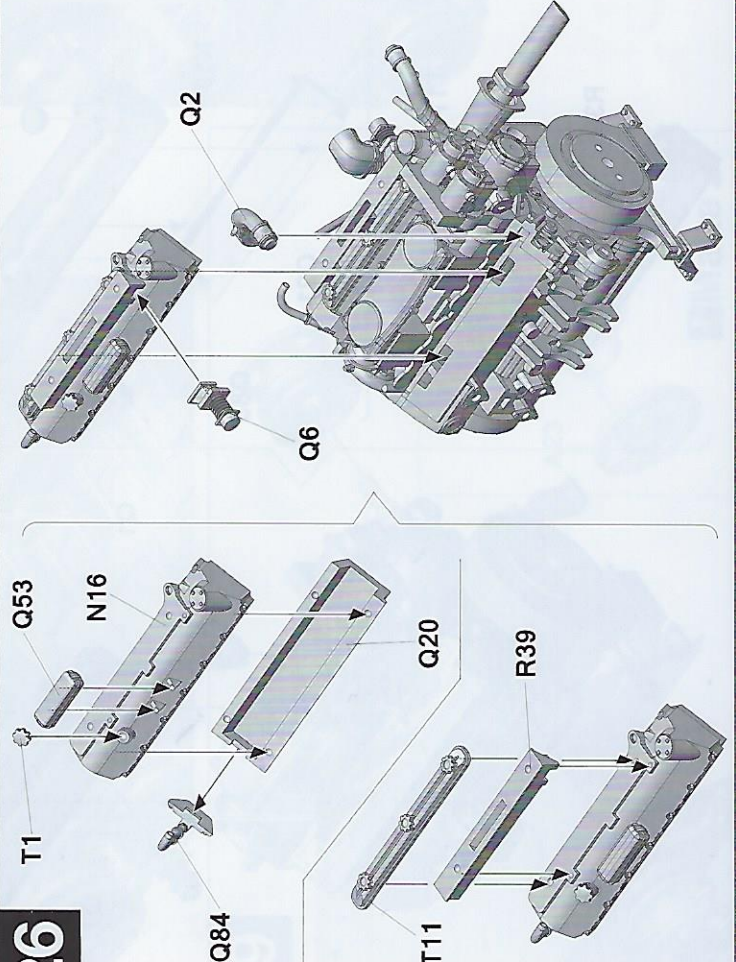
24



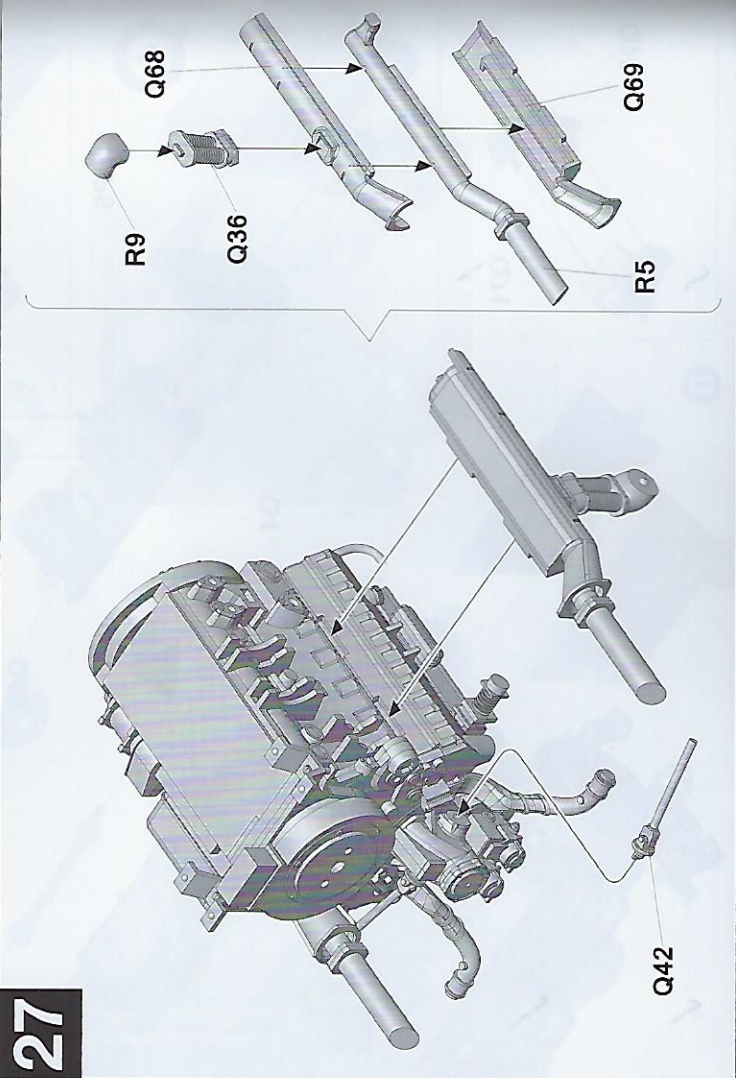
25



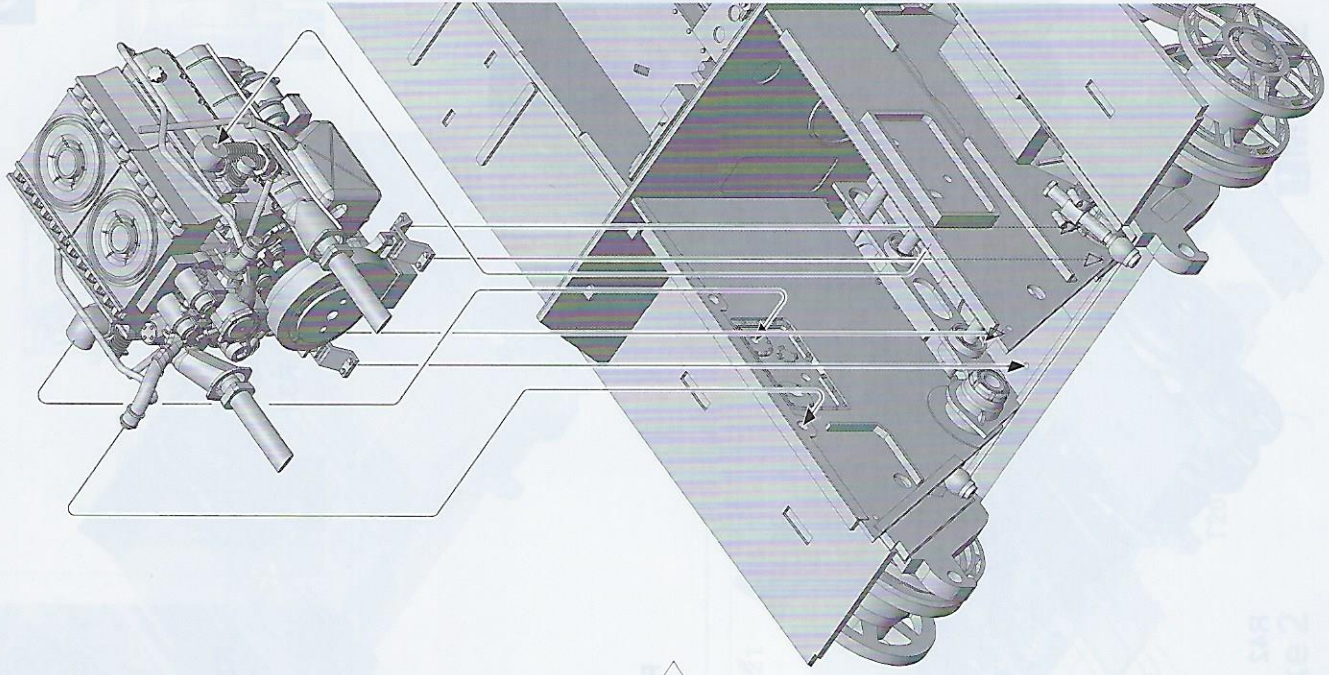
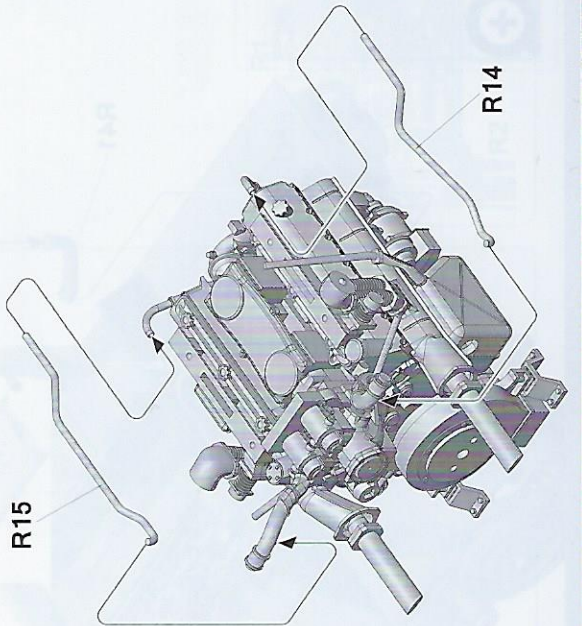
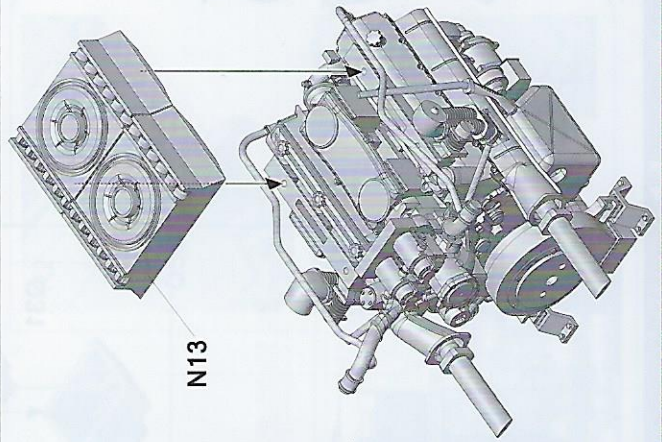
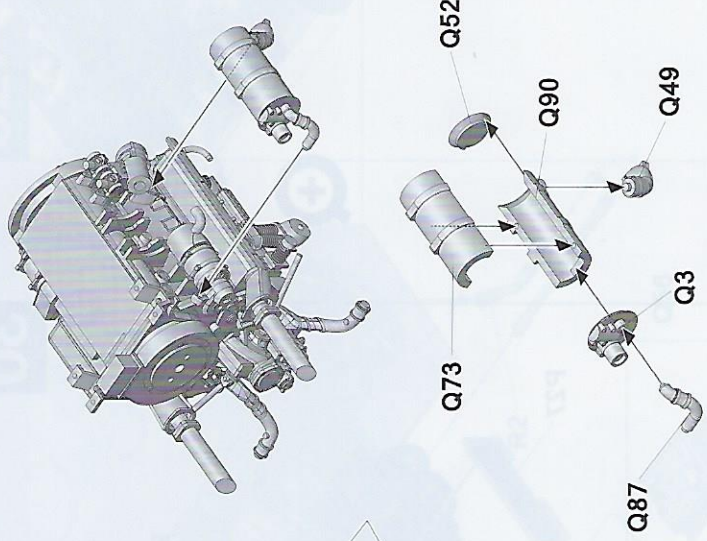
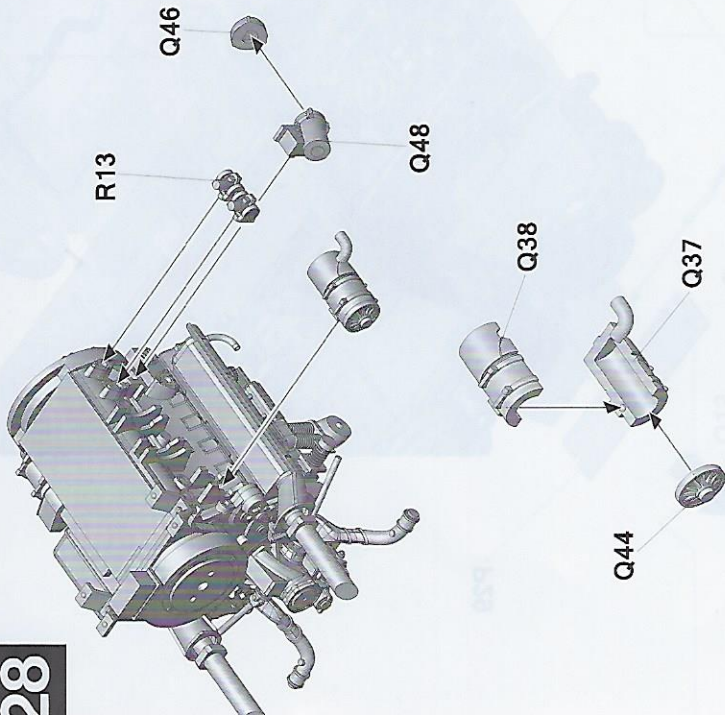
26



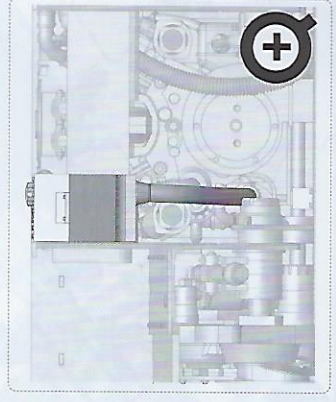
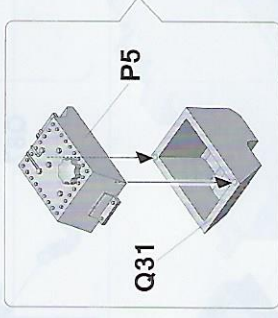
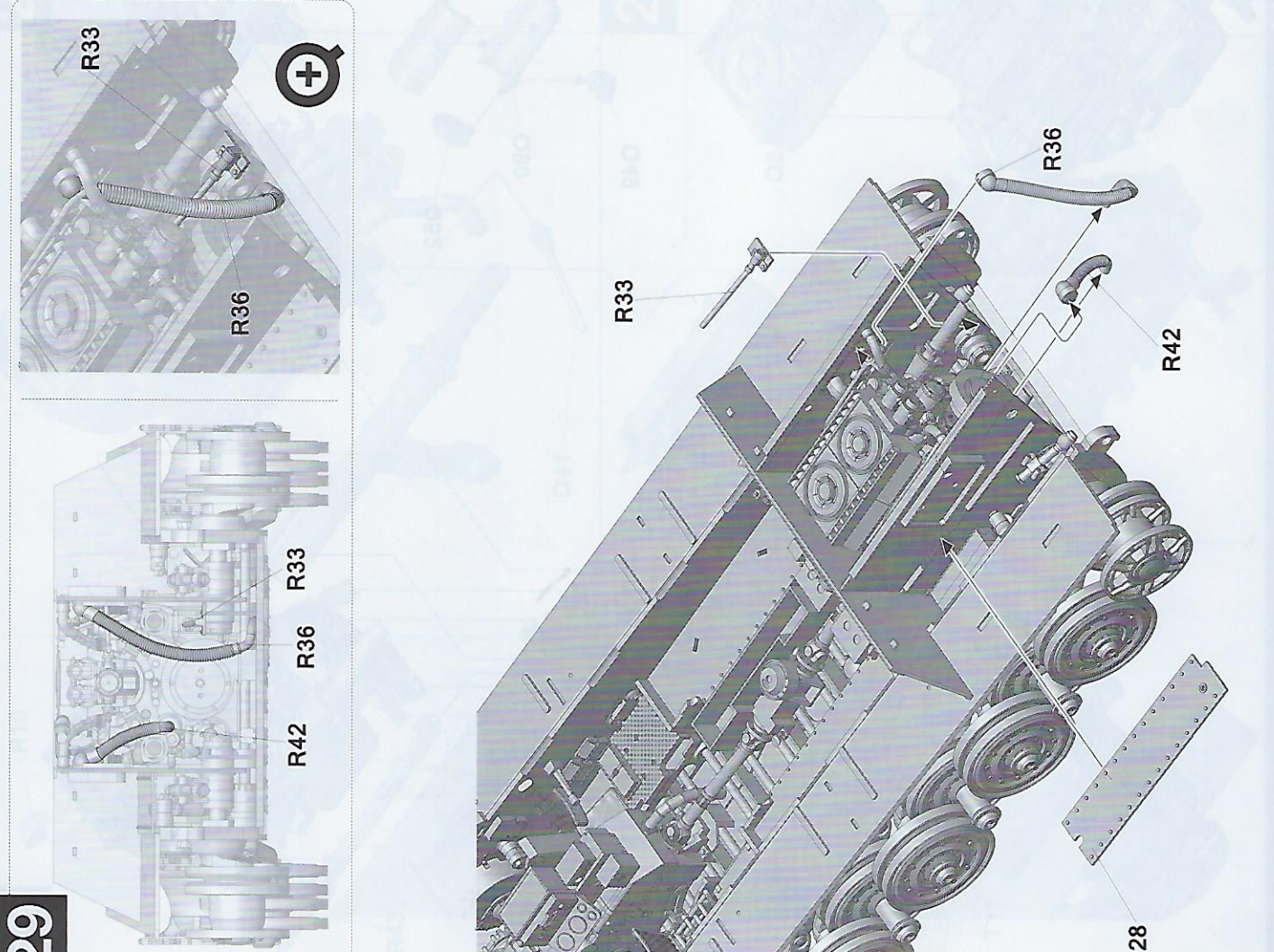
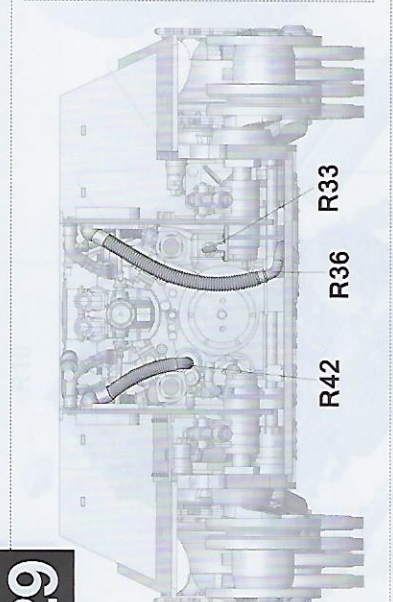
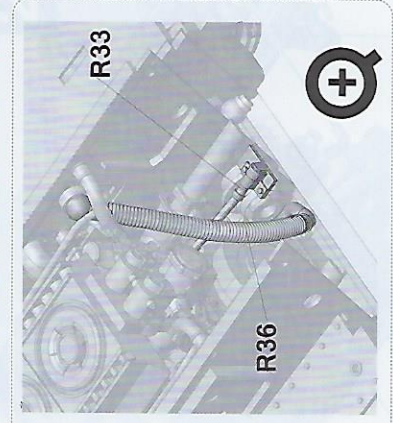
27



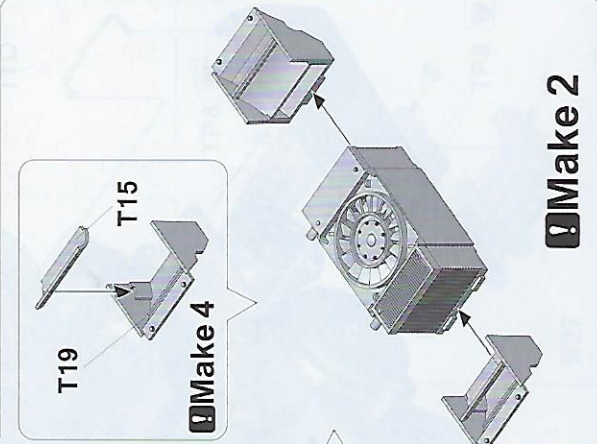
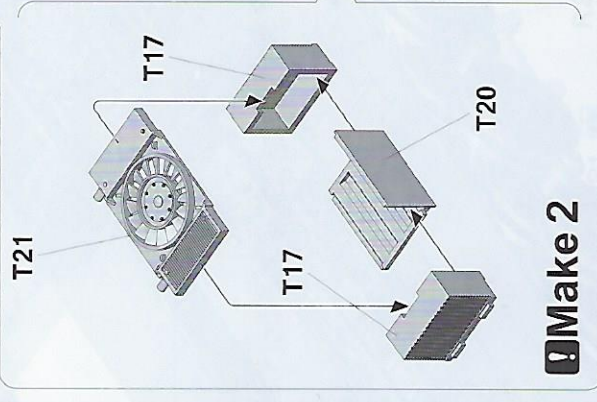
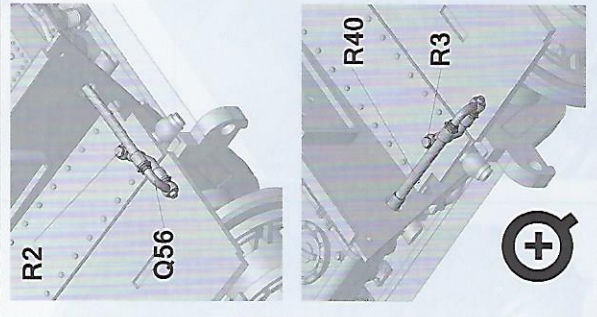
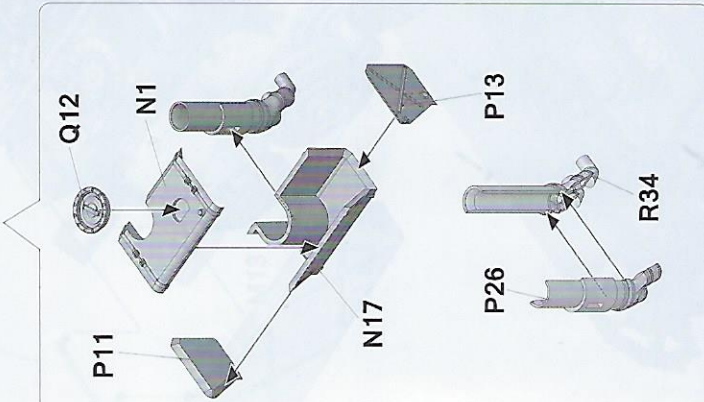
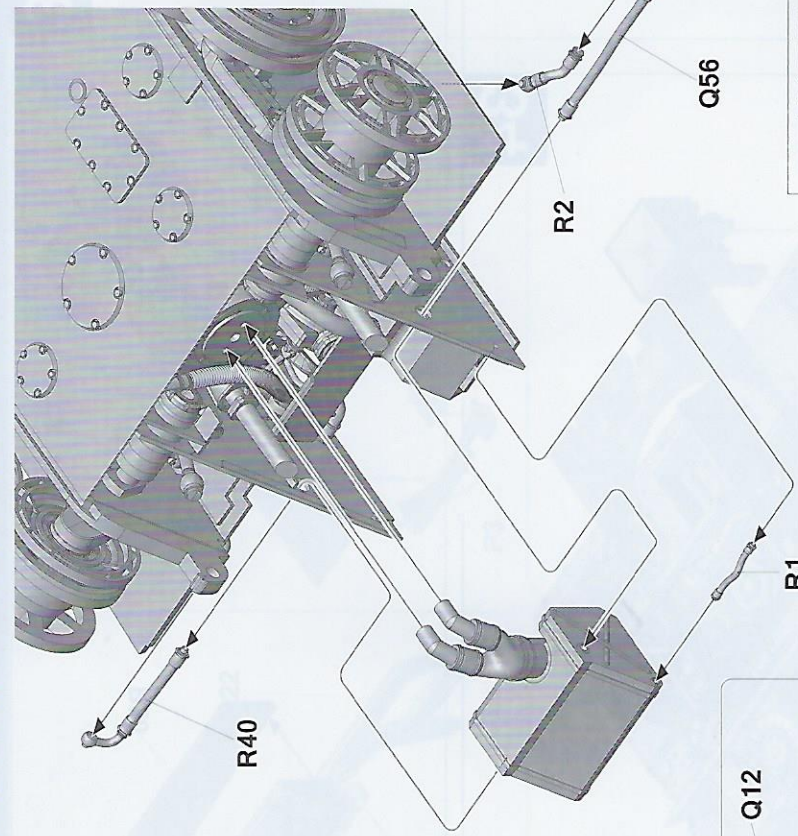
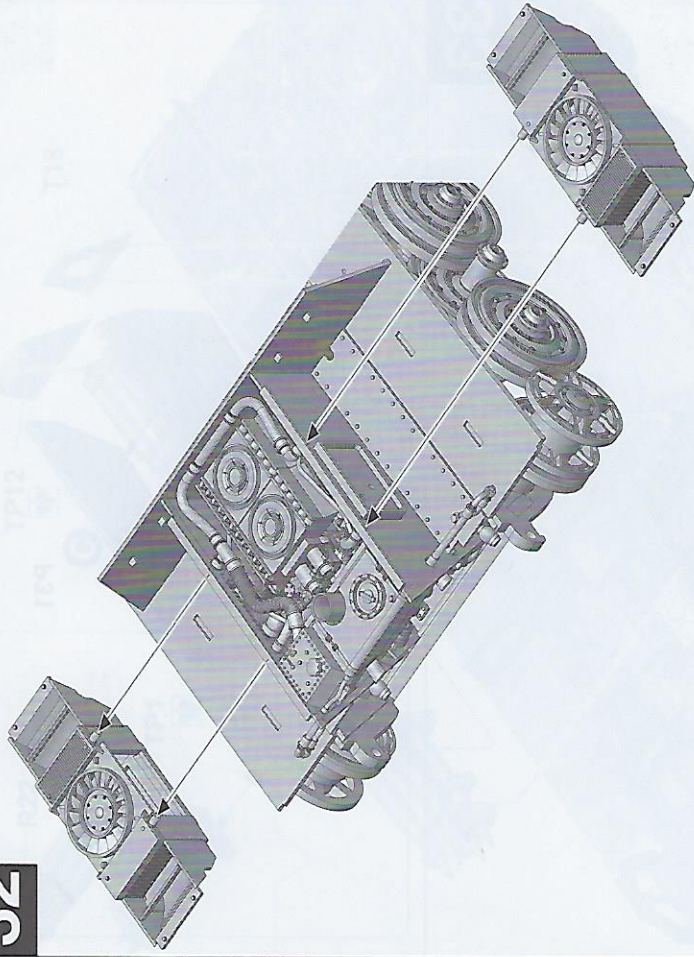










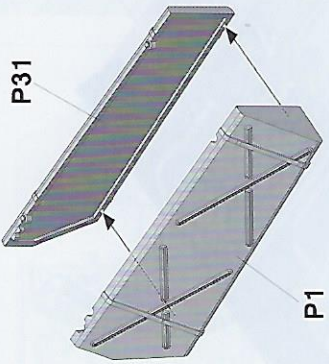


Make 2

Make 2



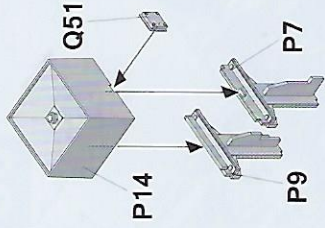
33



P31

P1

34



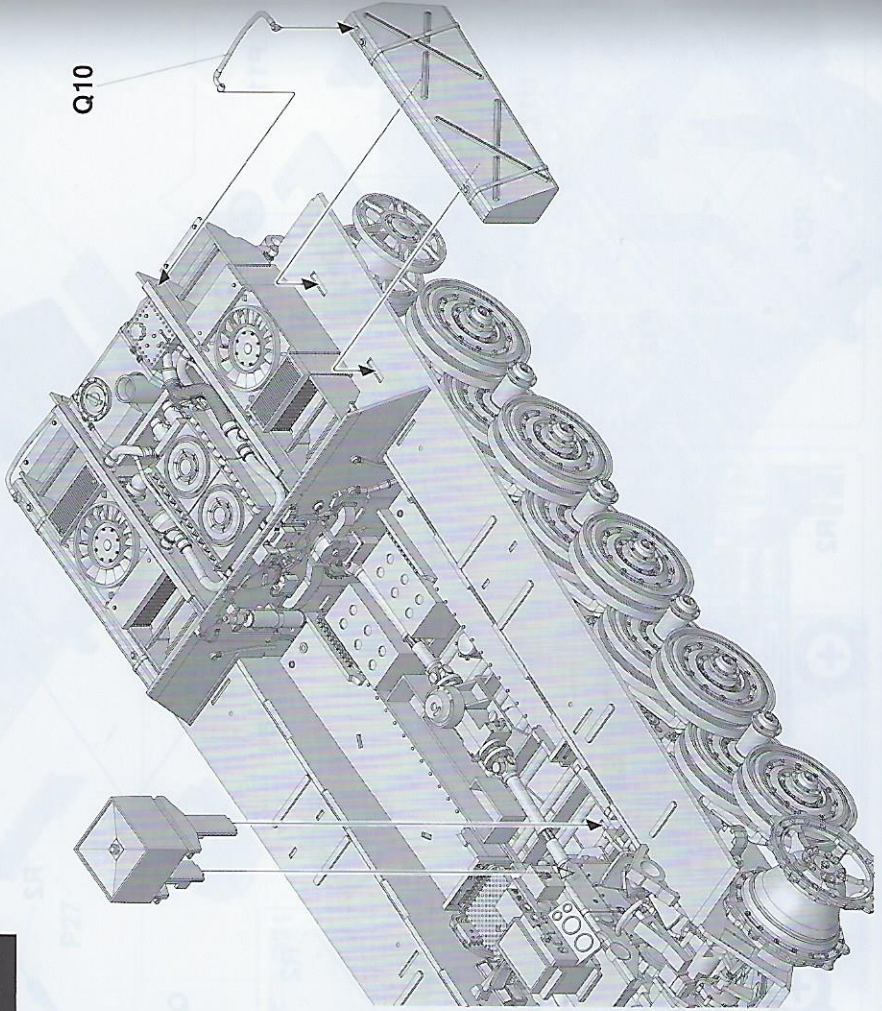
P14

P9

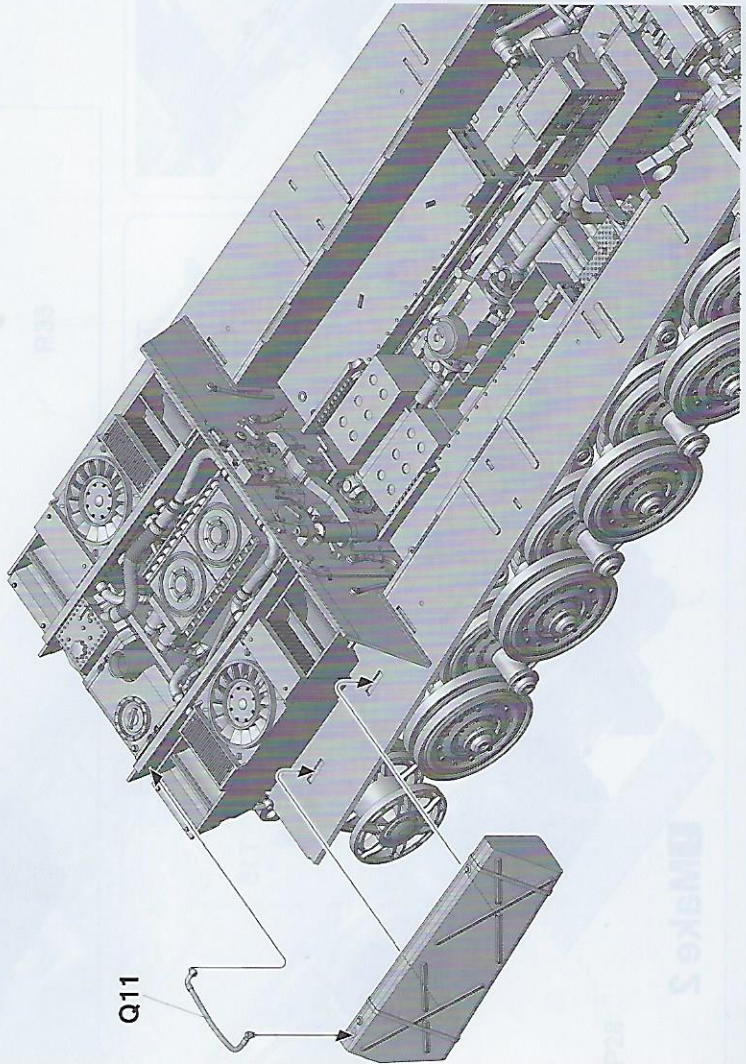
P7

Q51

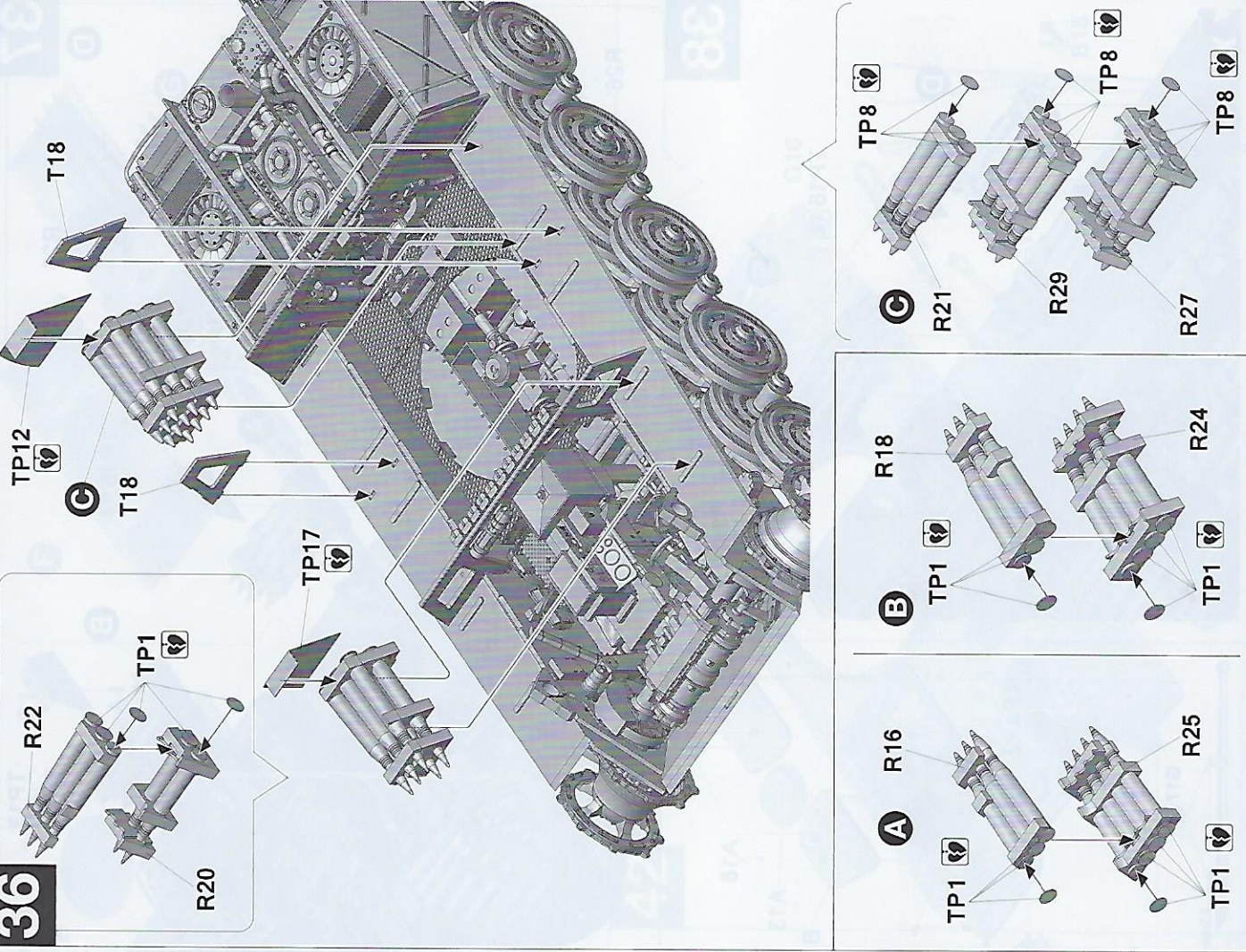
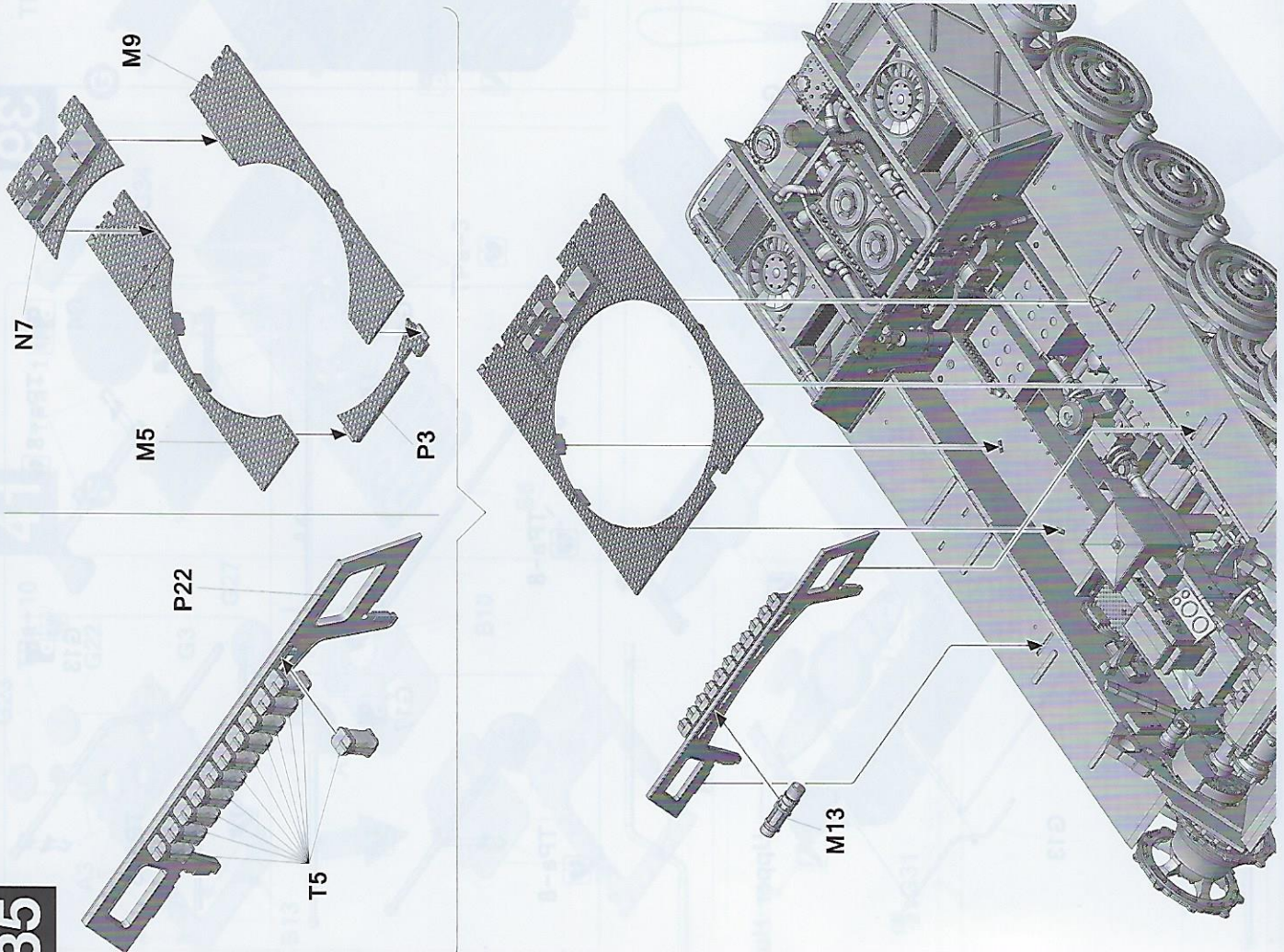
Q10



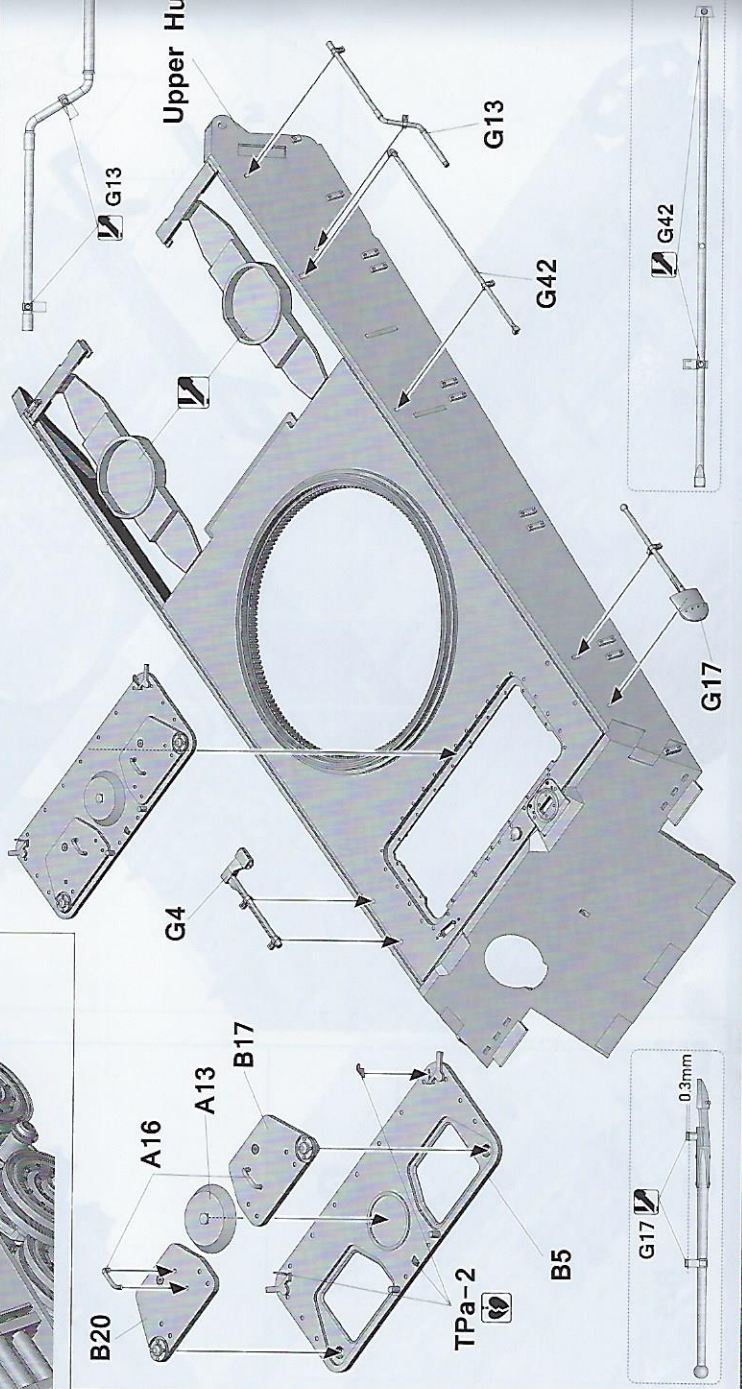
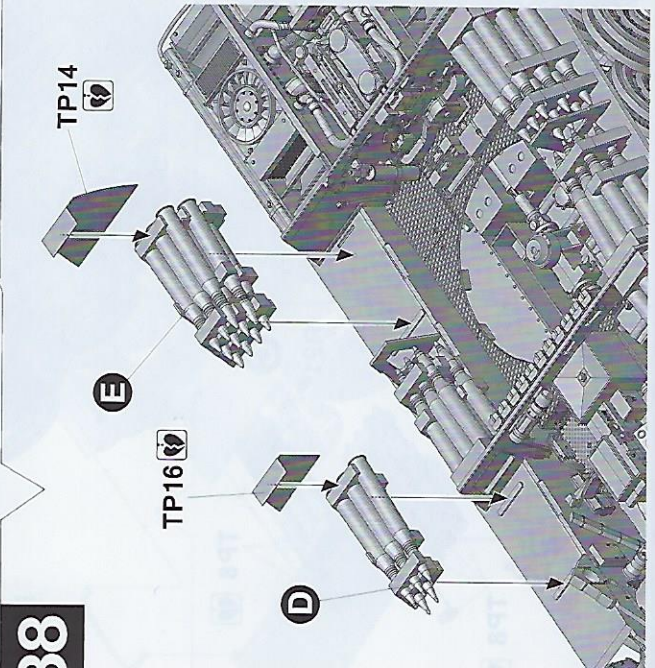
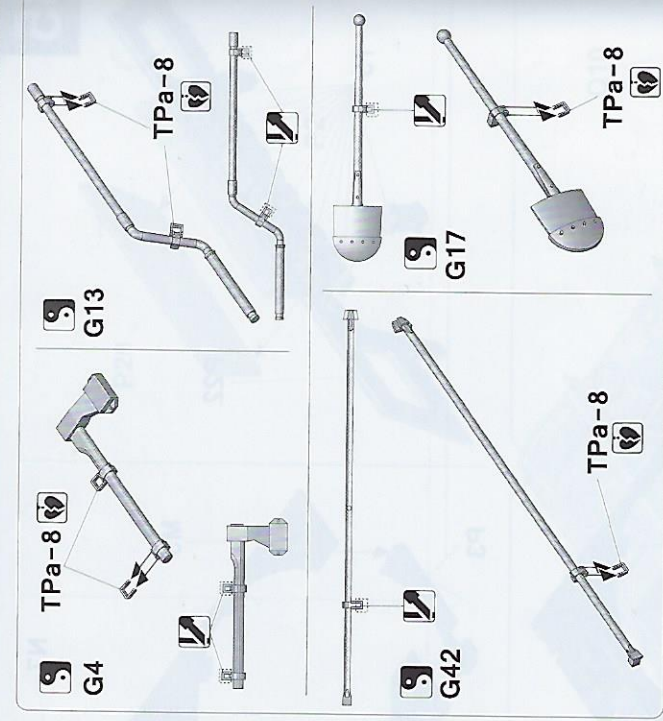
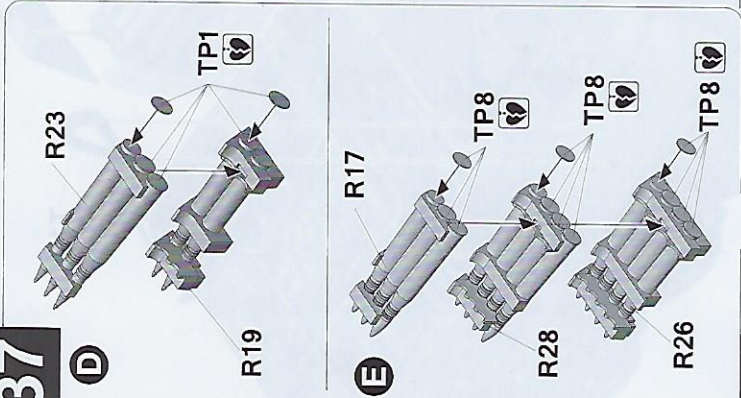
Q11





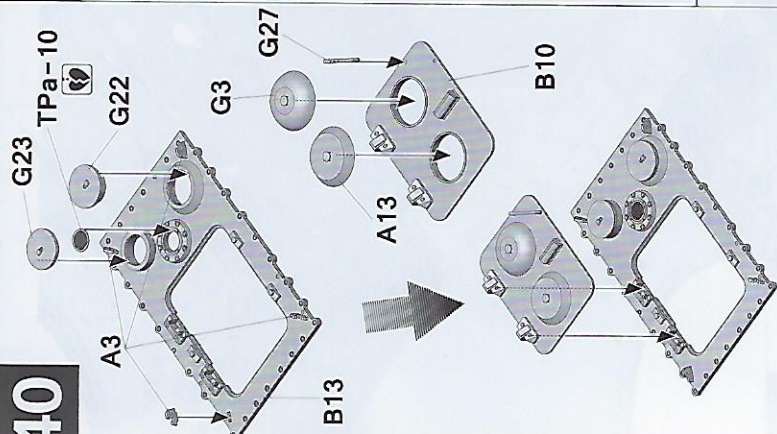




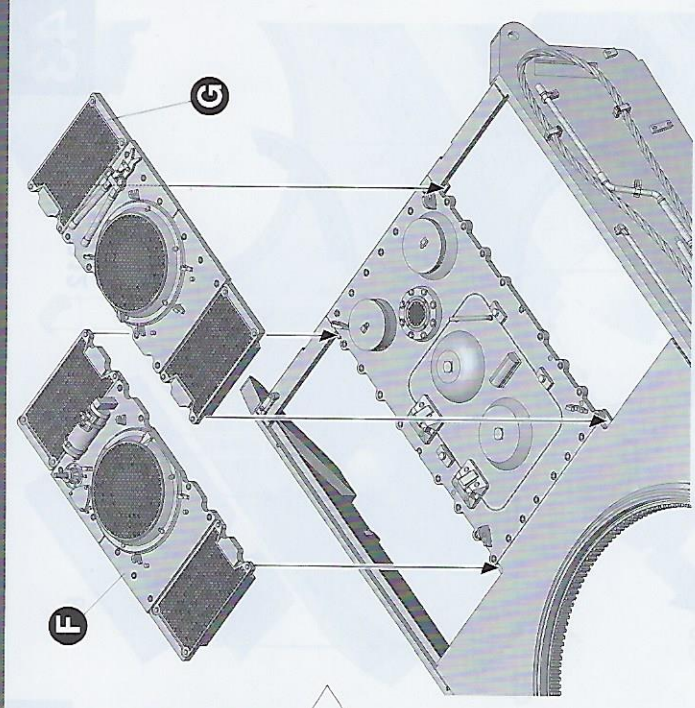
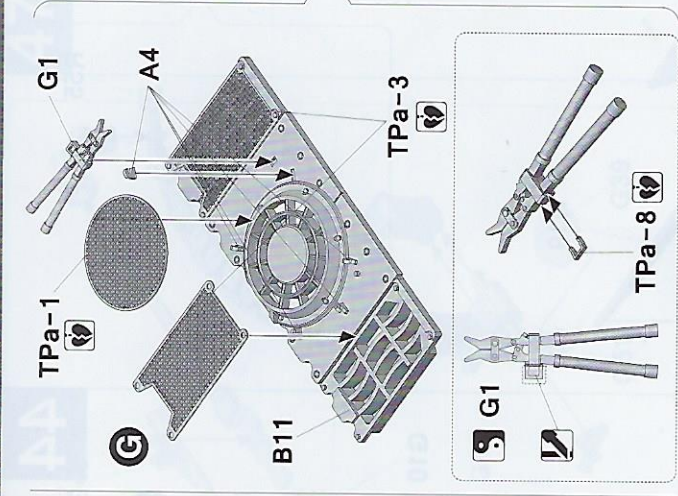
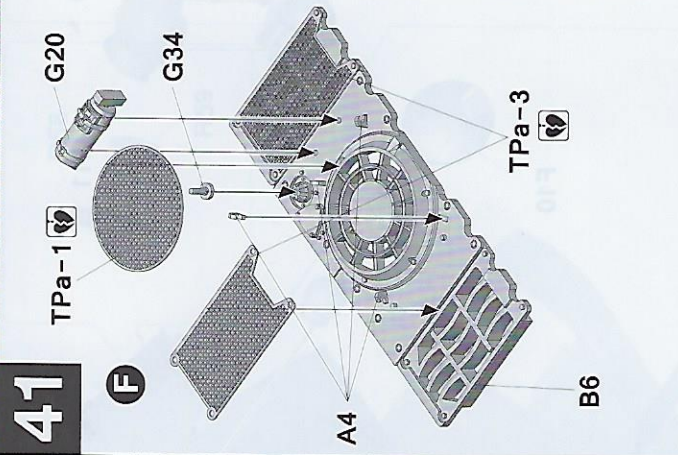




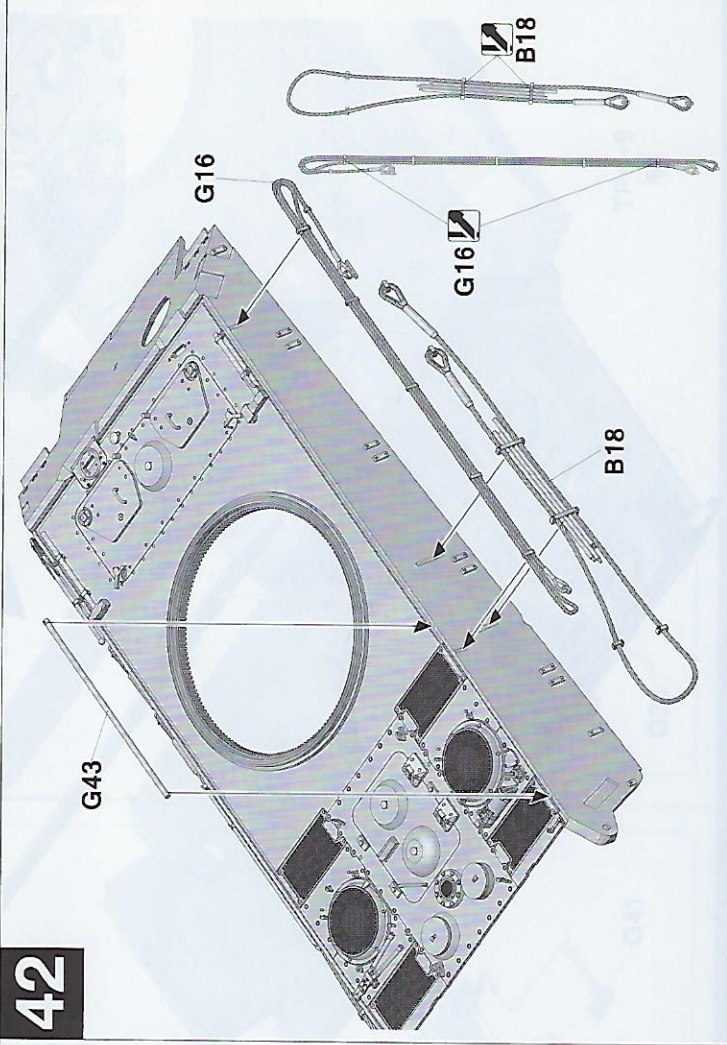
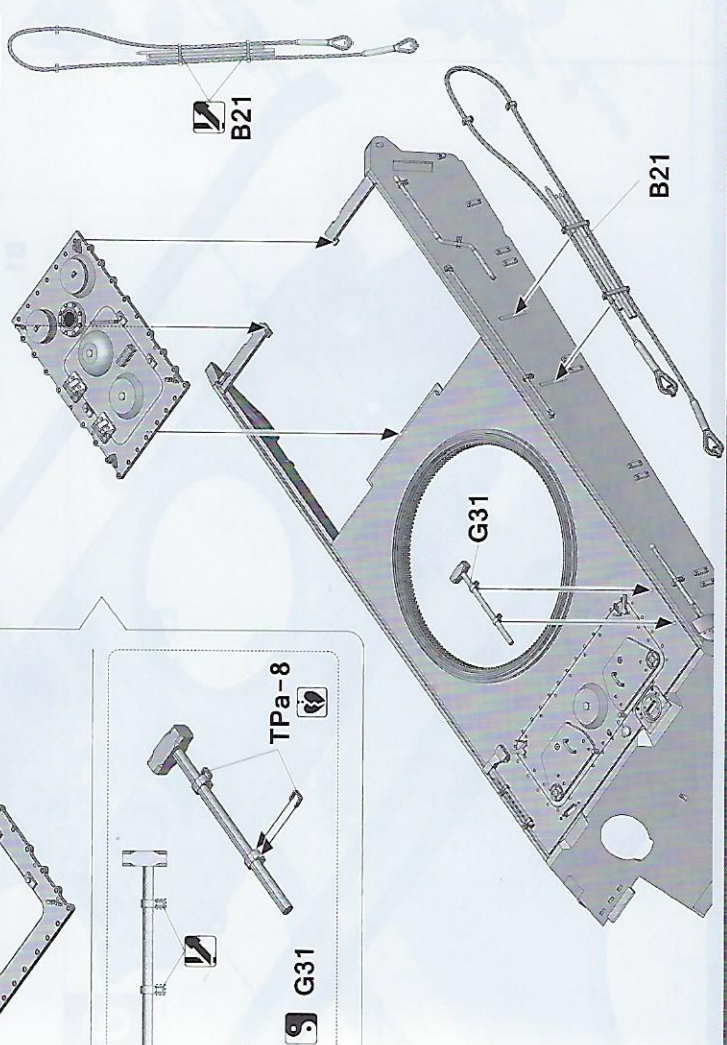
40



41

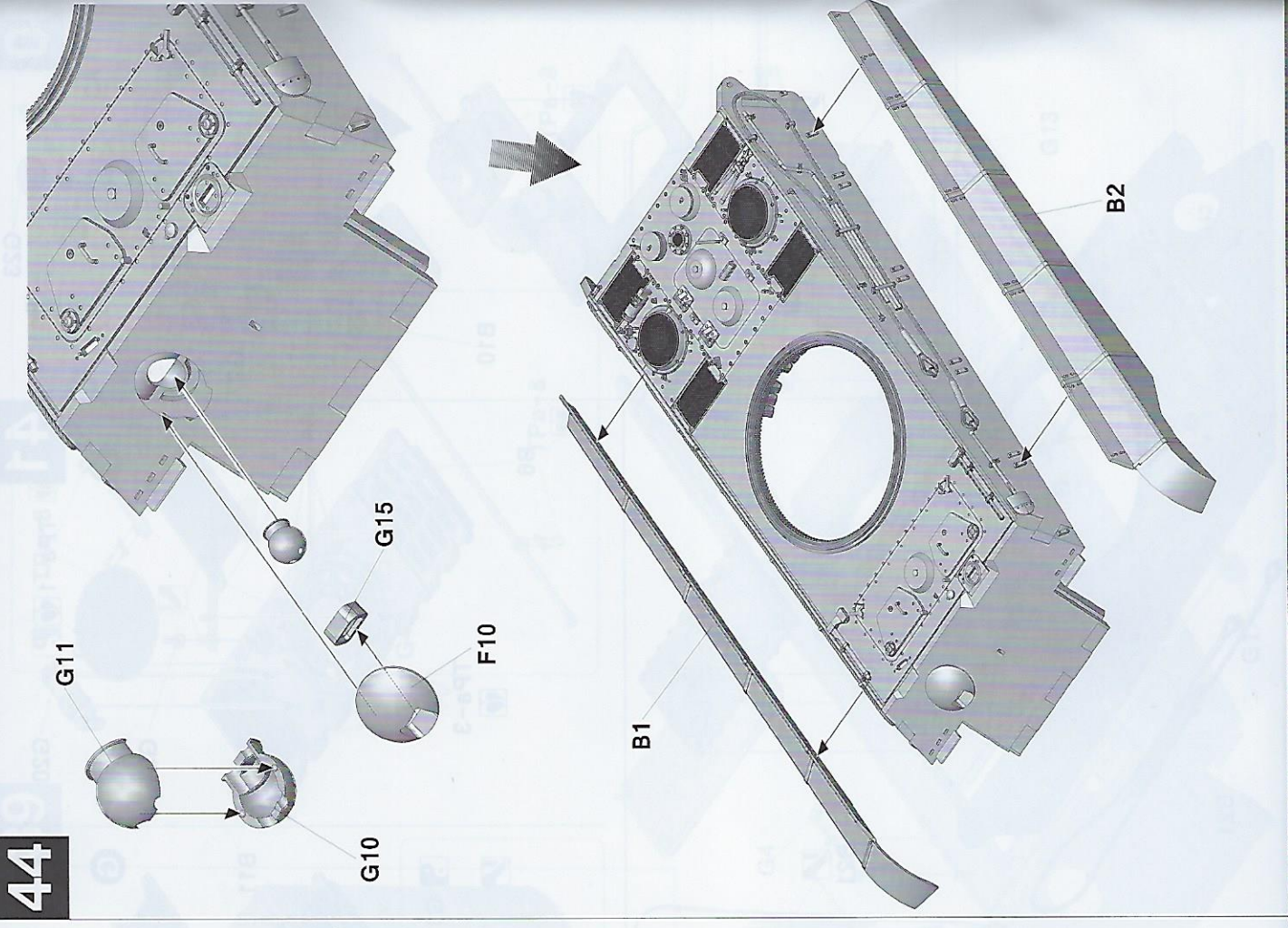
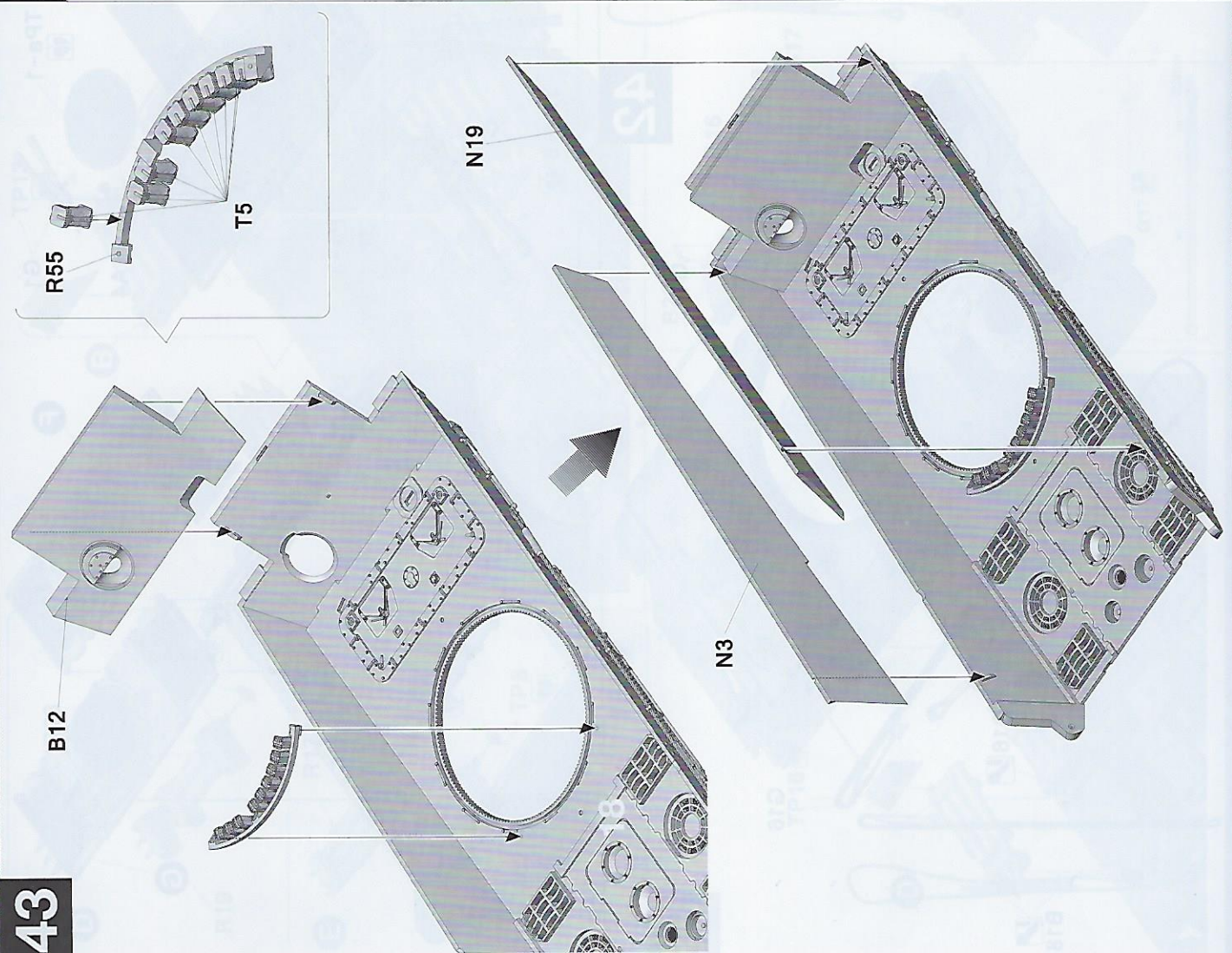


42

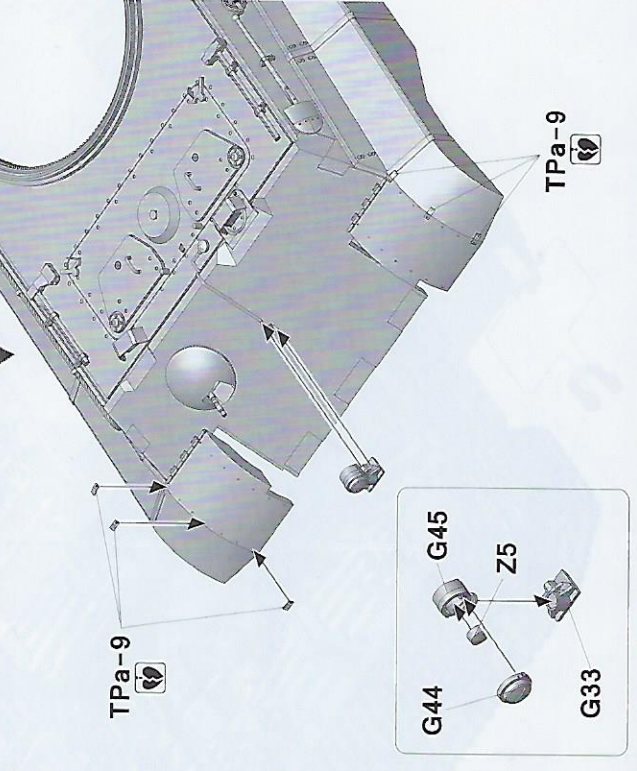
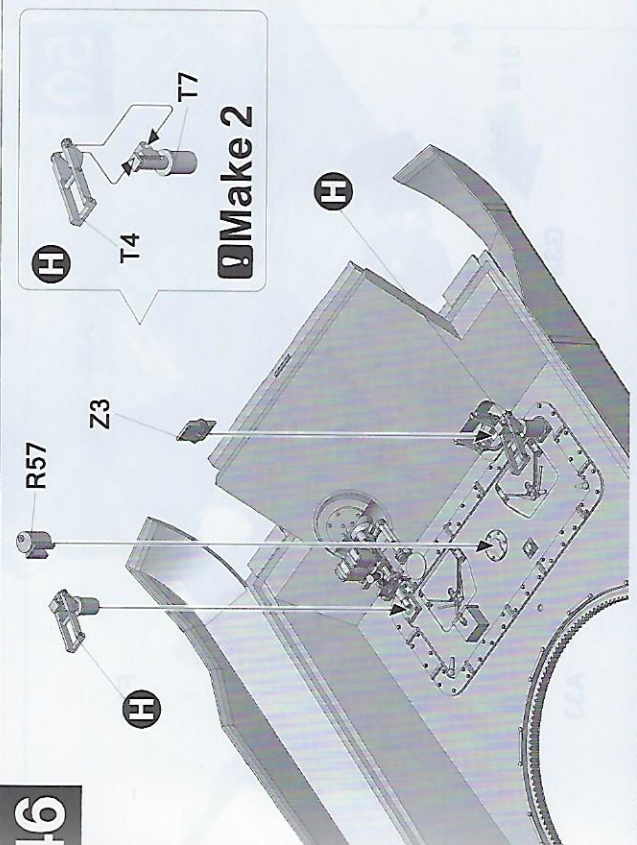
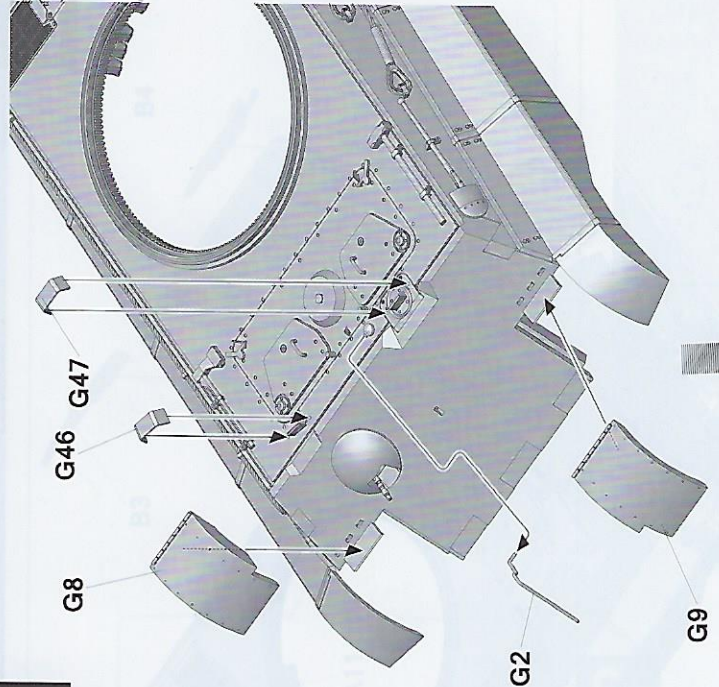
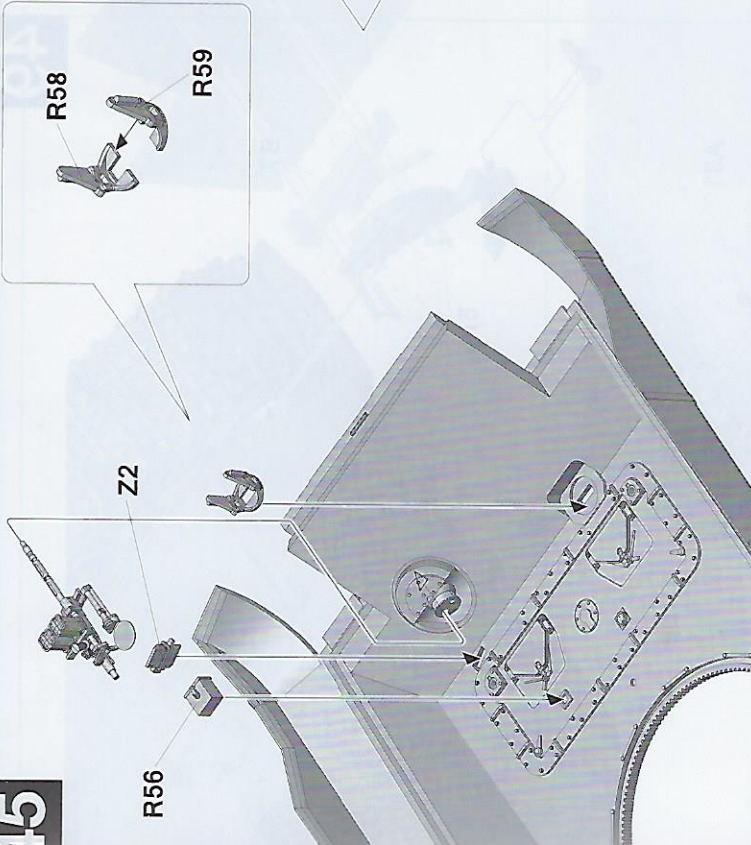


18

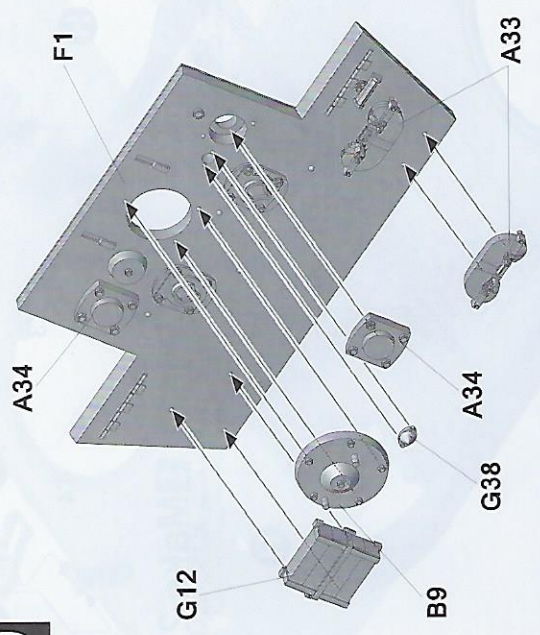
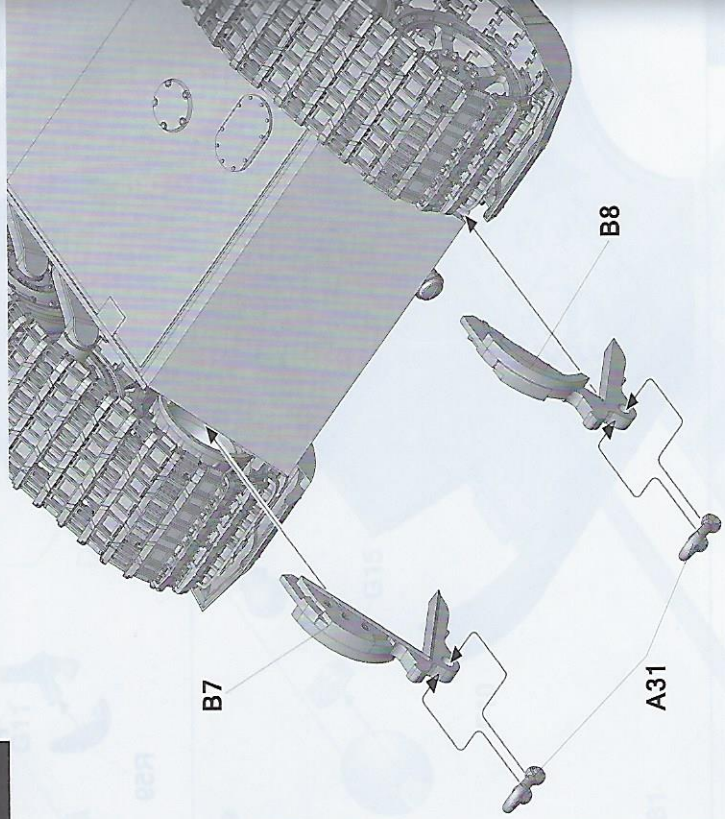
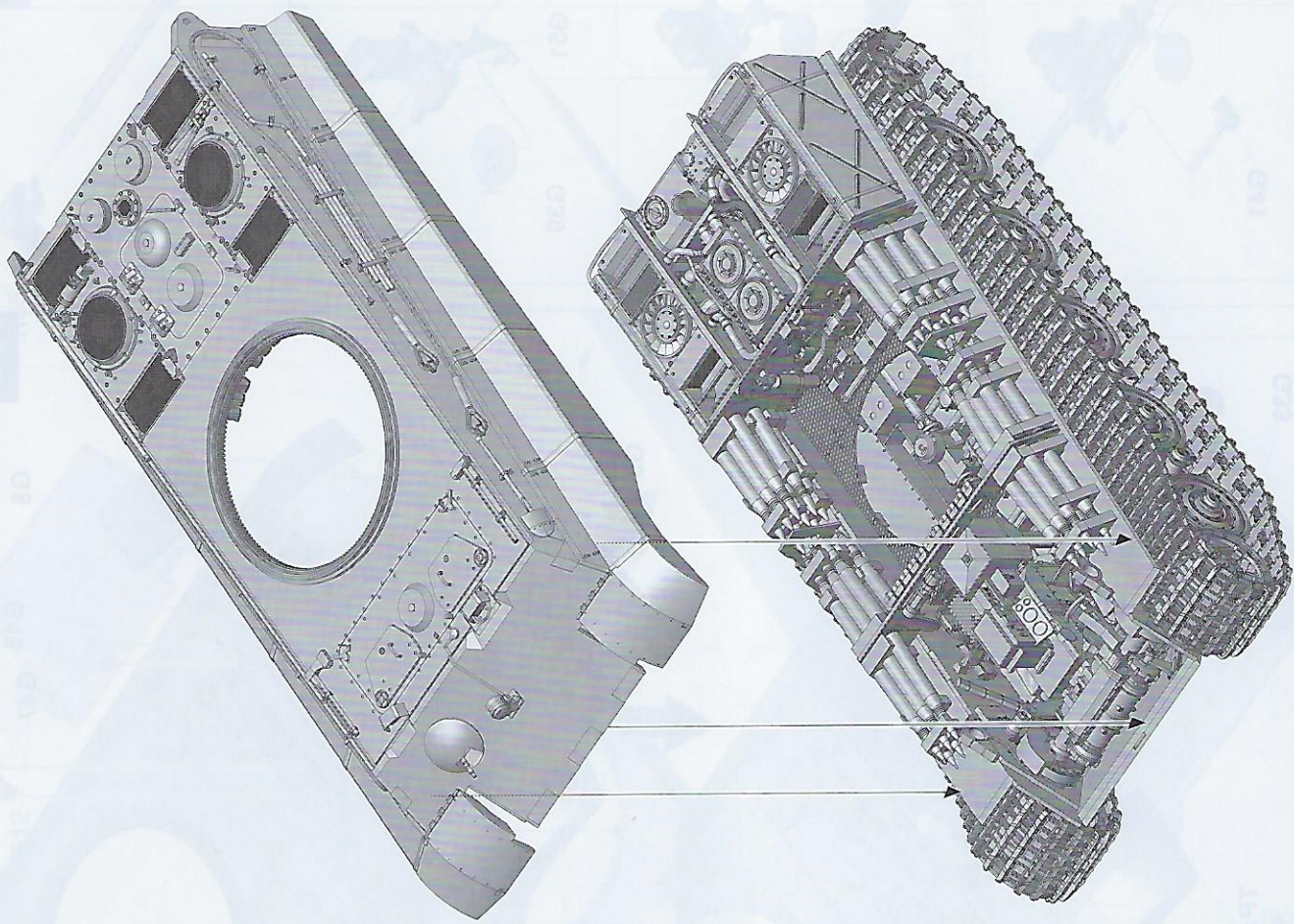




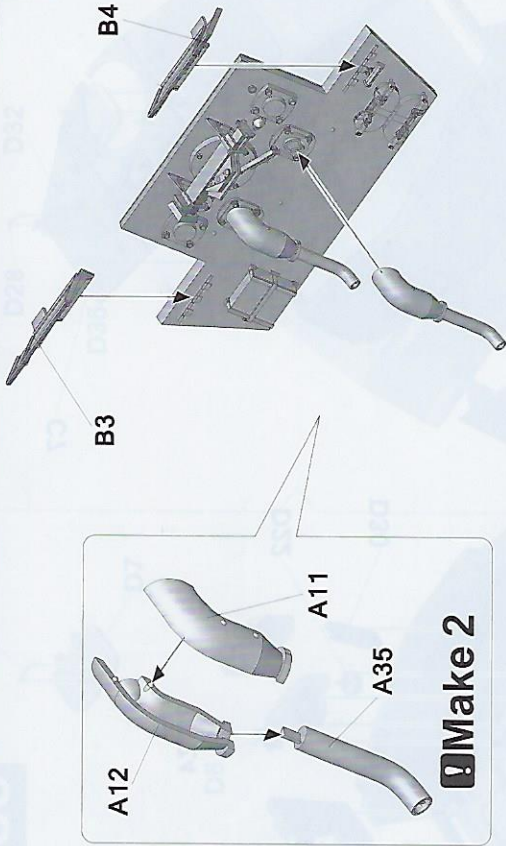
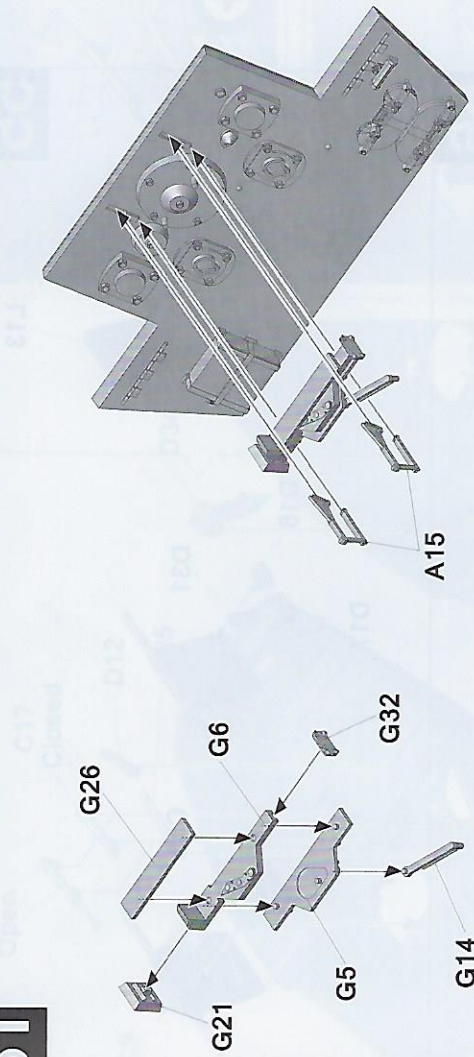




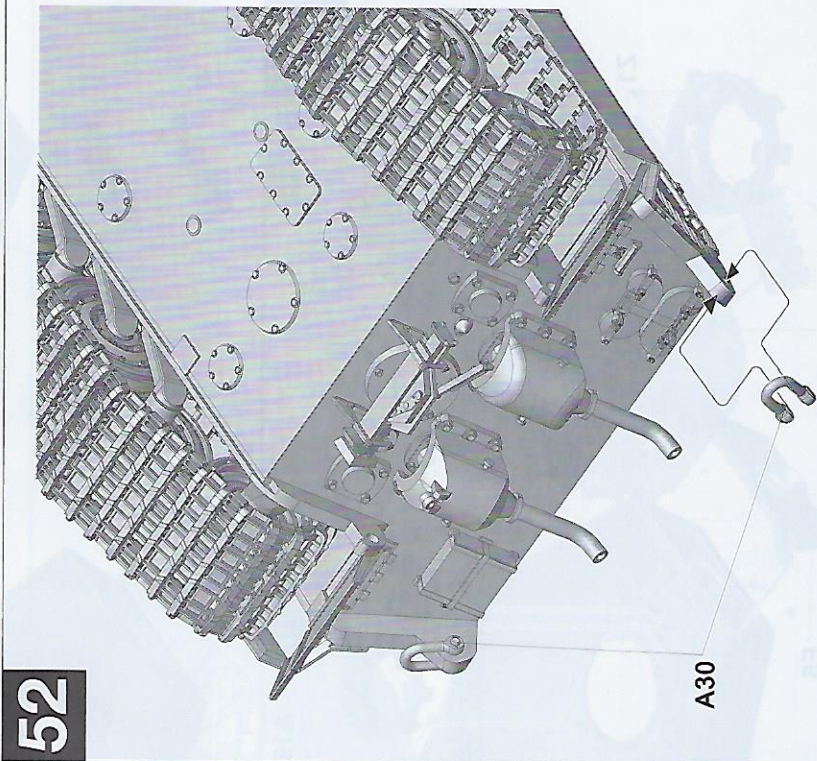
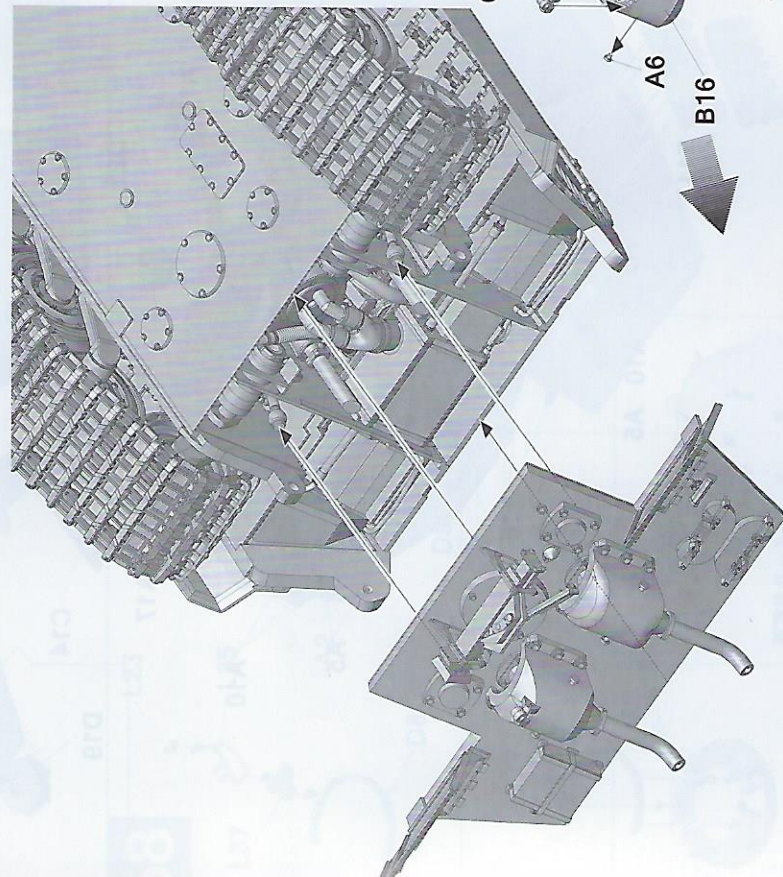






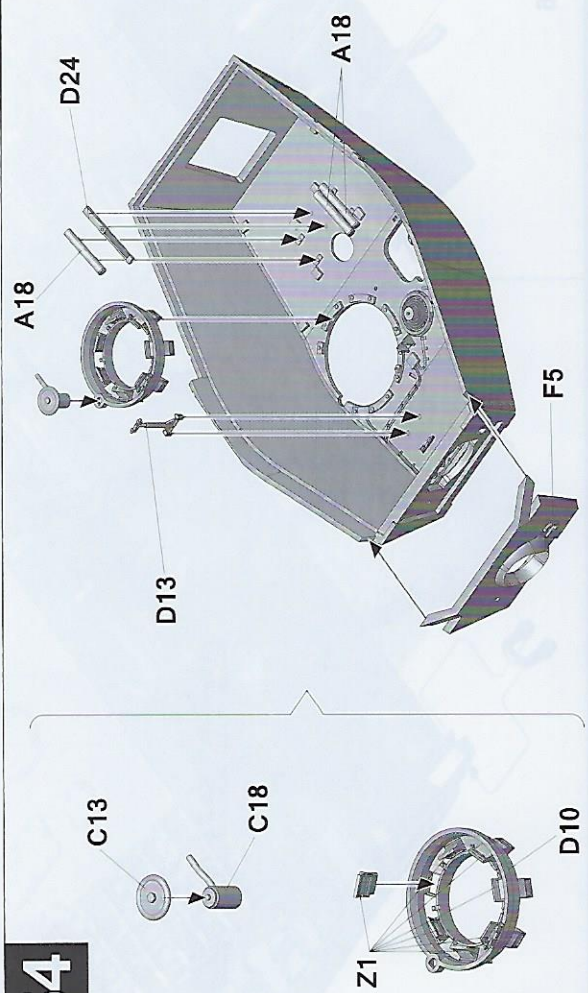
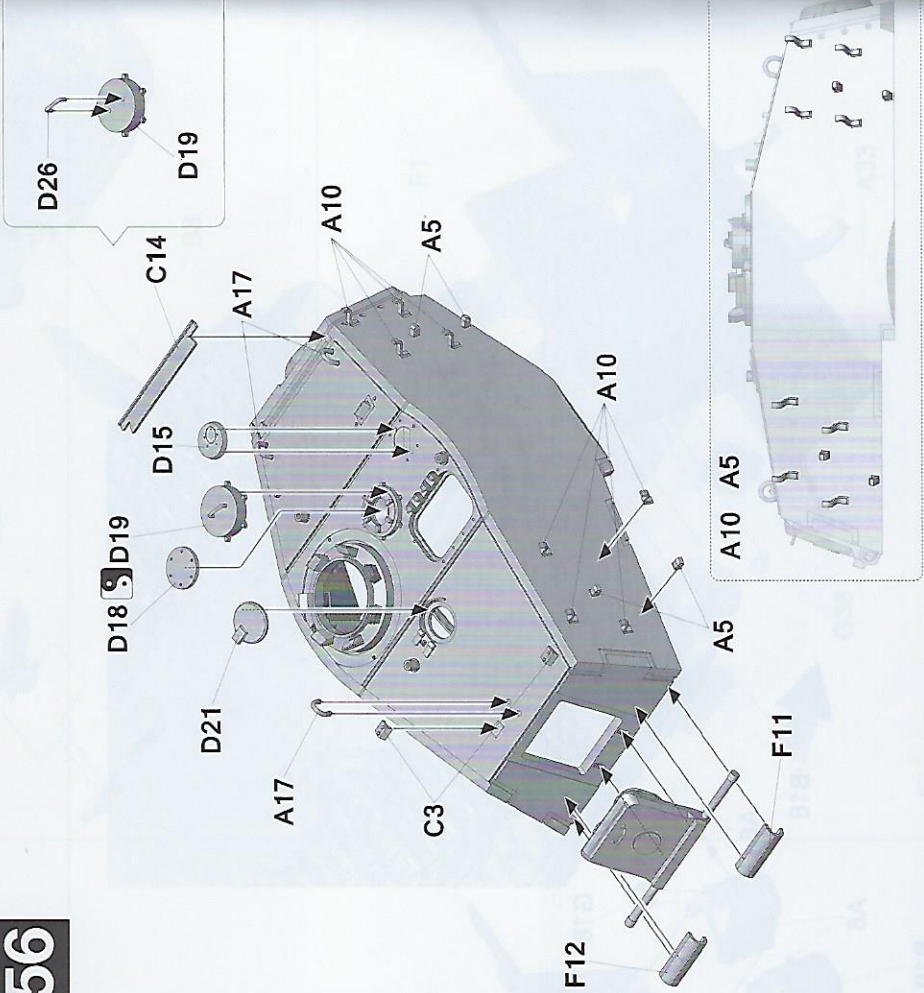
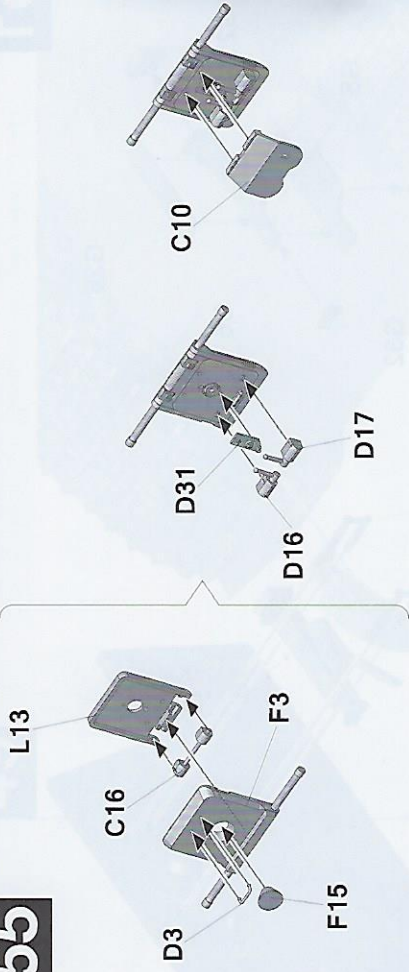
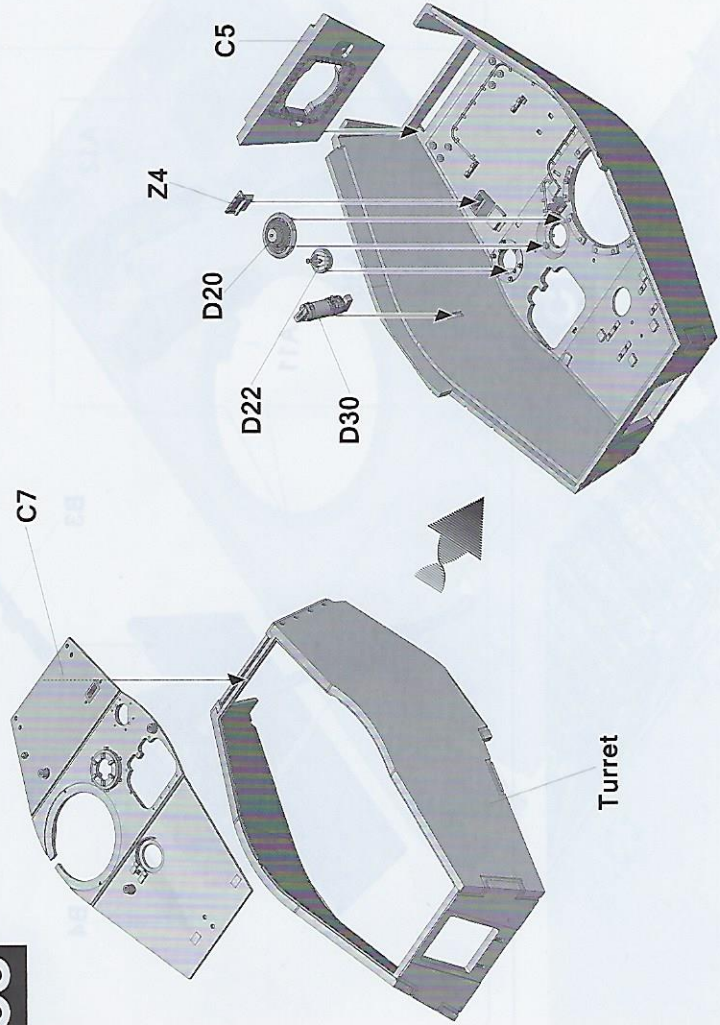


**Make 2**



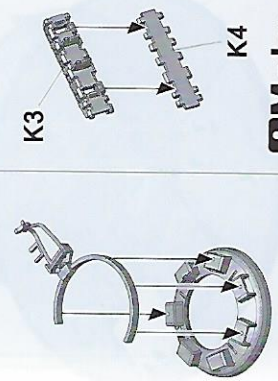
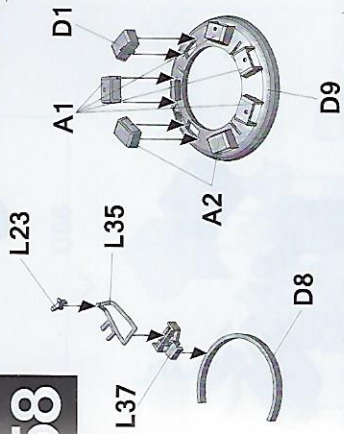
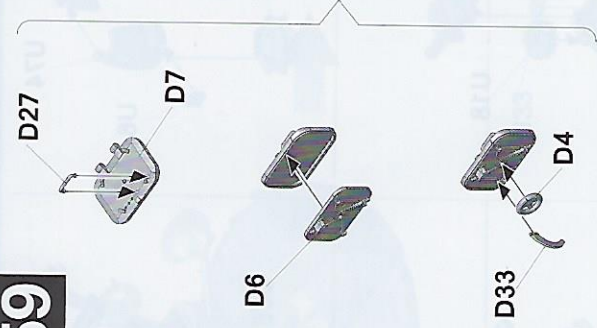
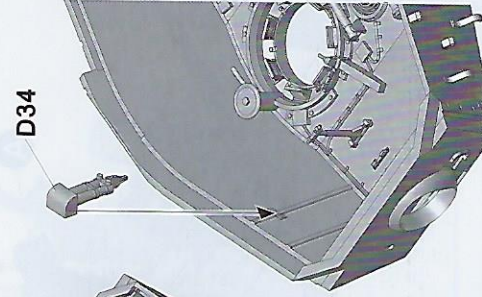
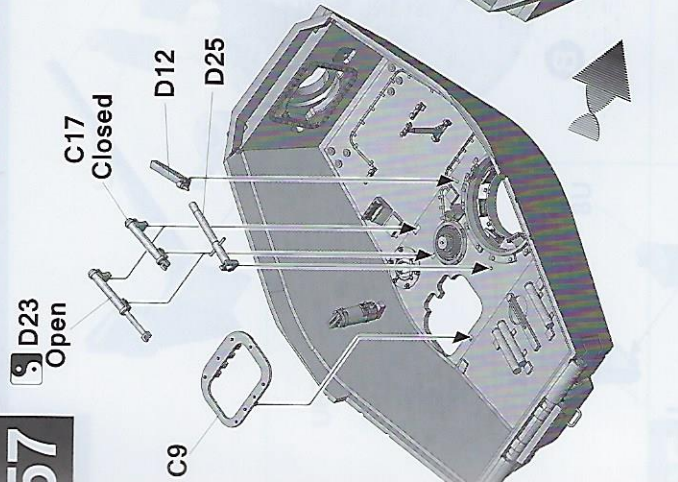
**52**



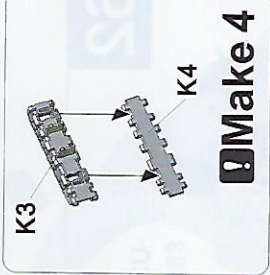
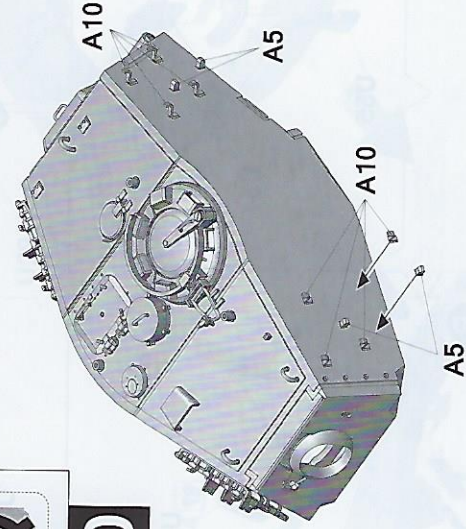




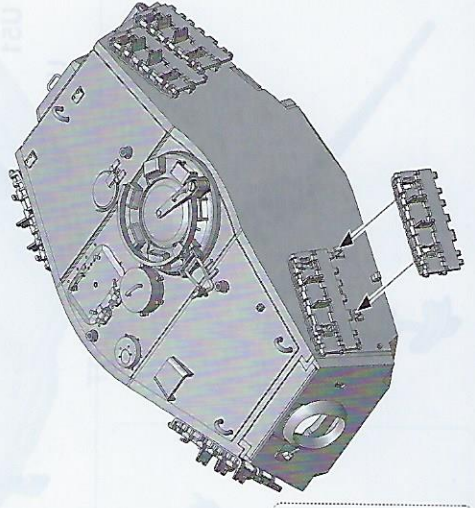
D23 Open



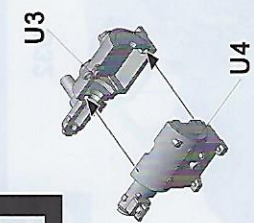
Make 4



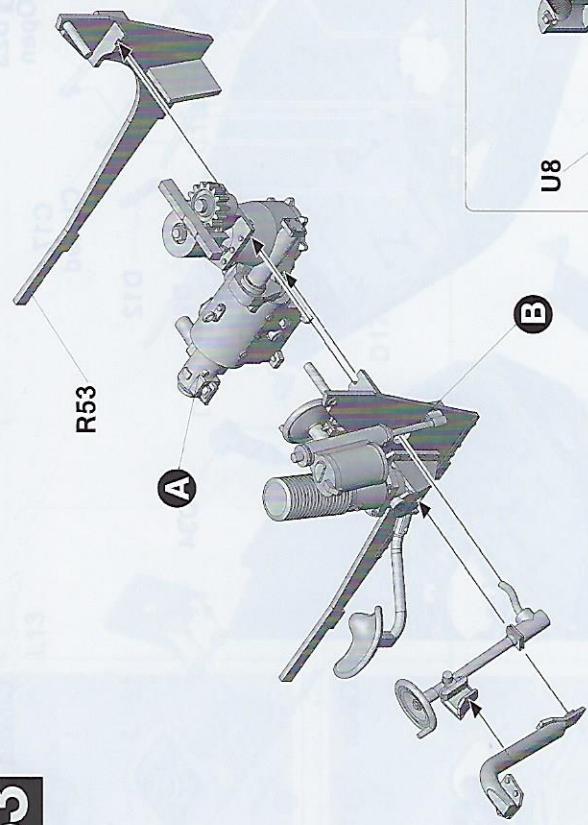
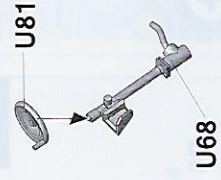
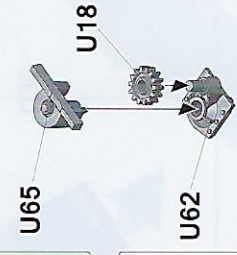
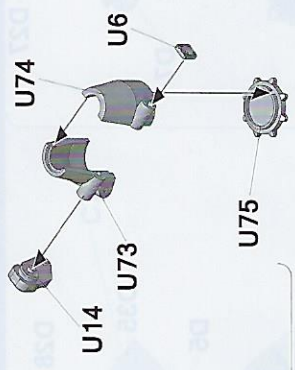
Make 4





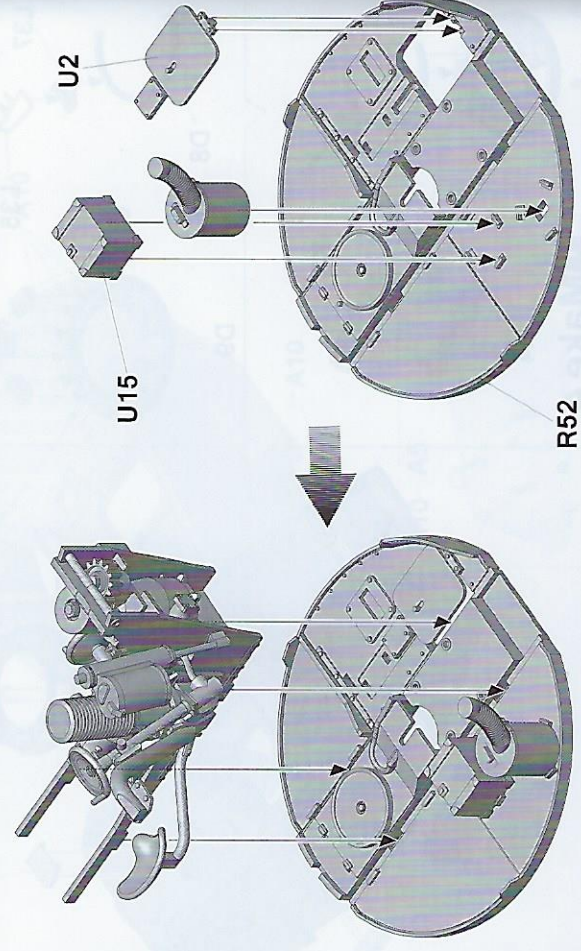
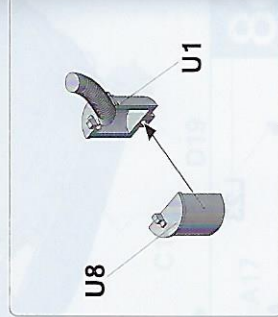


**A**

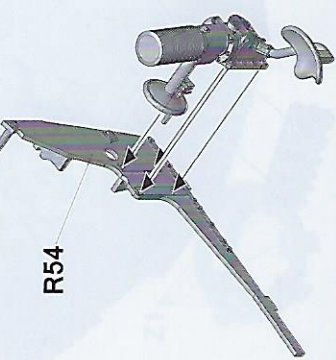
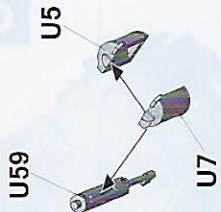
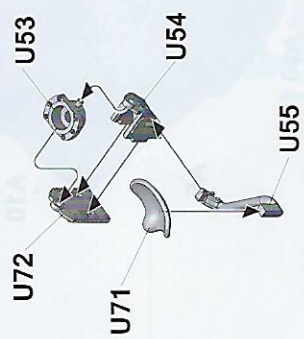
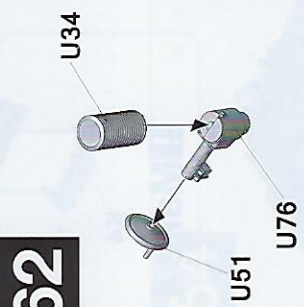


**A**

**B**

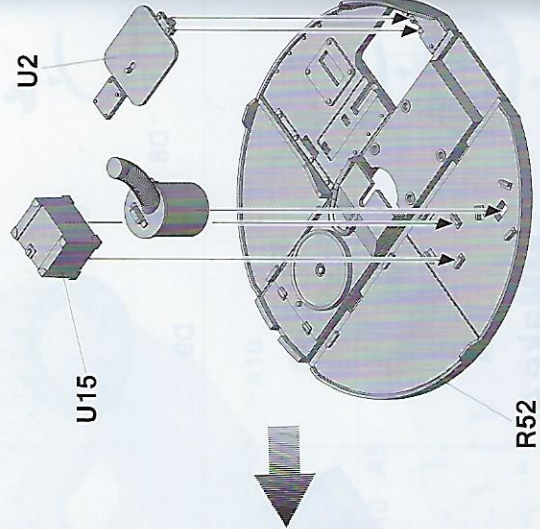
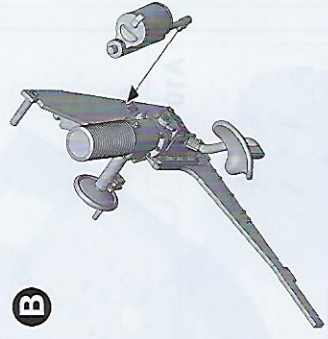


**R52**



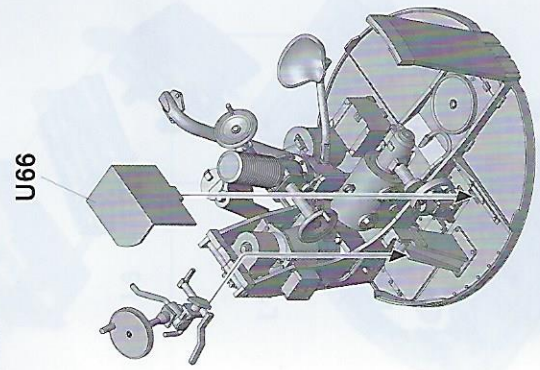
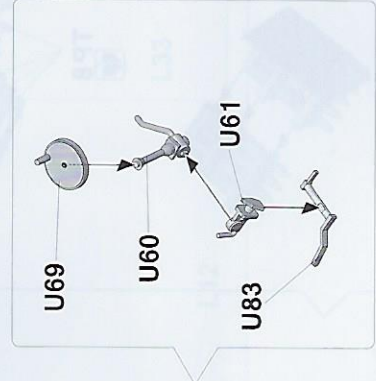
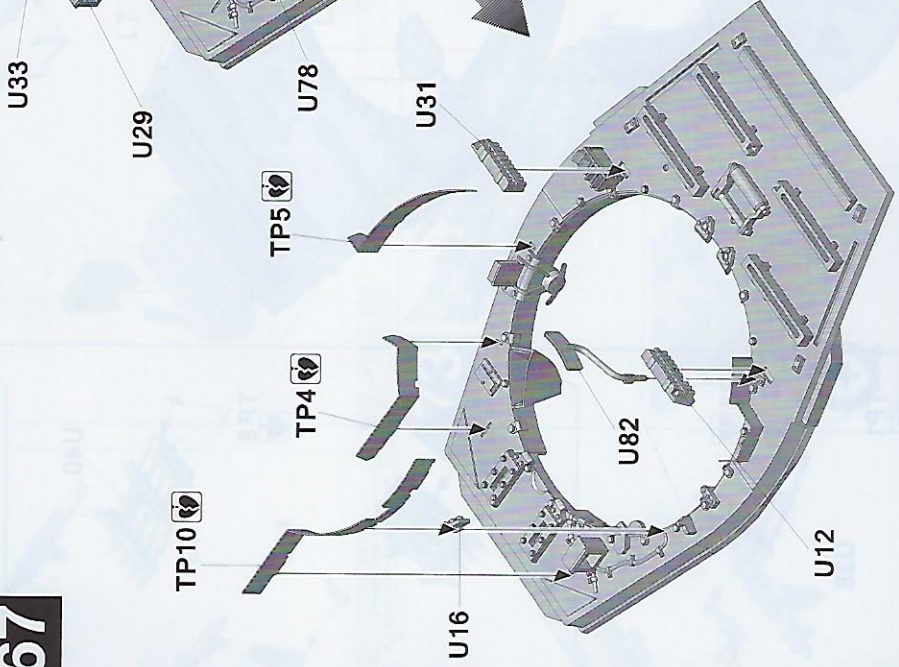
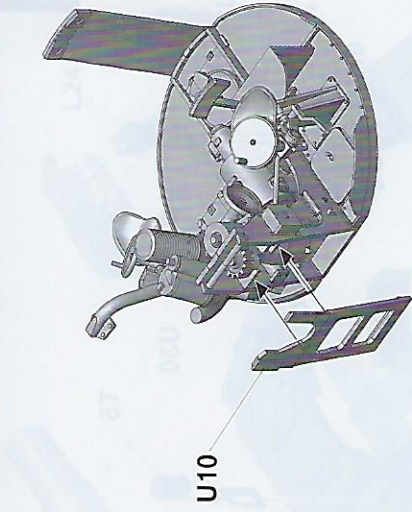
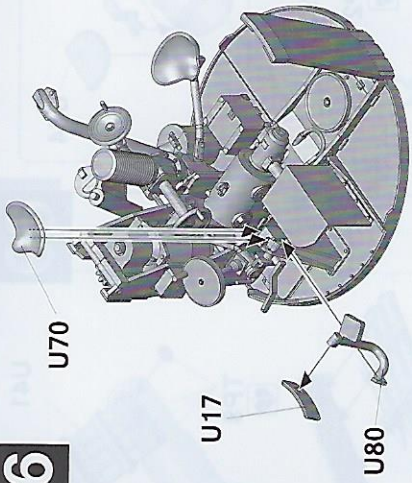
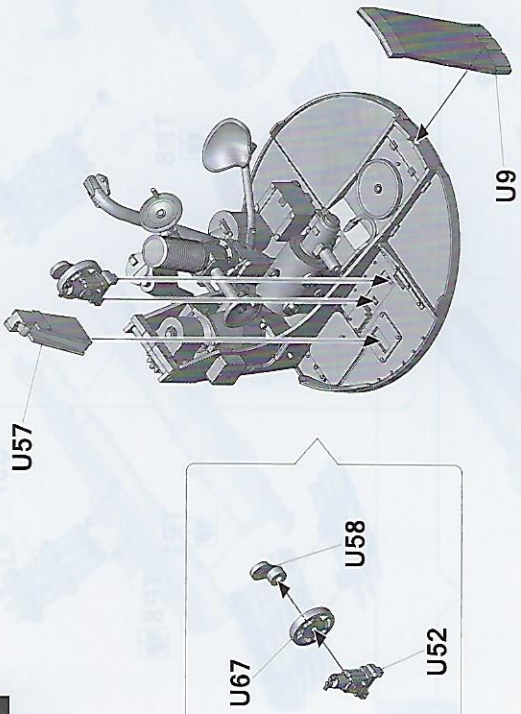
**R54**

**B**

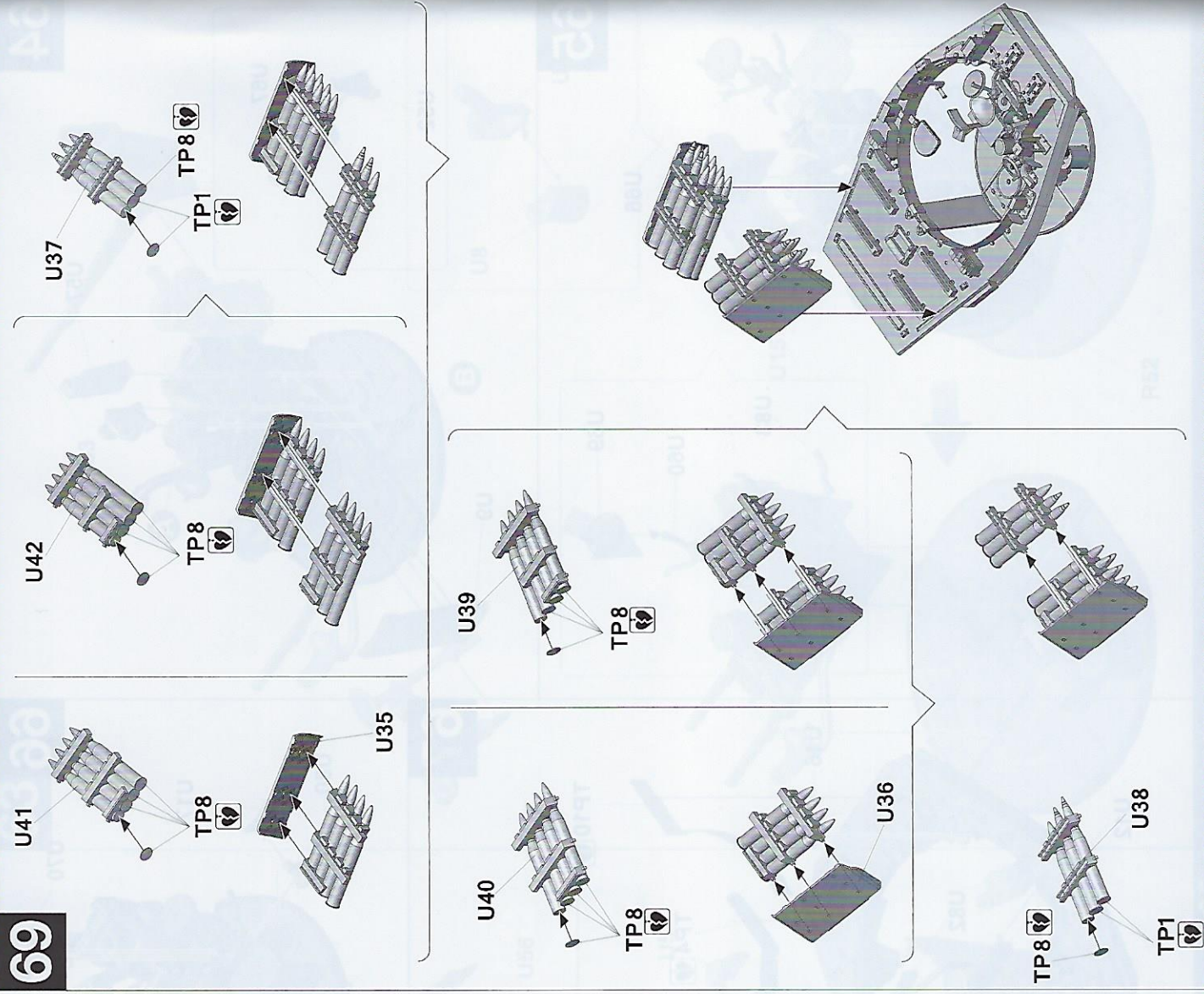
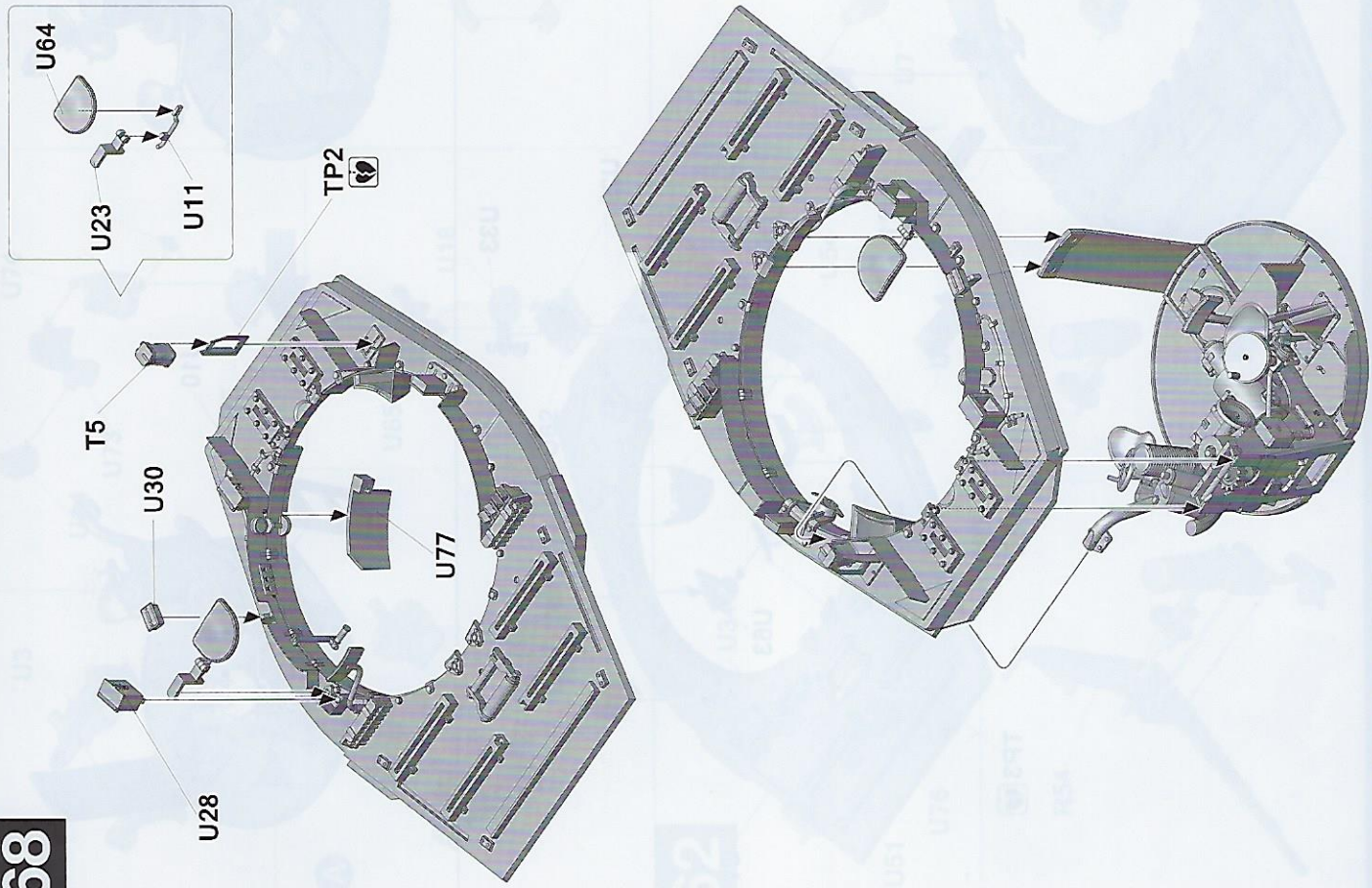


**R52**

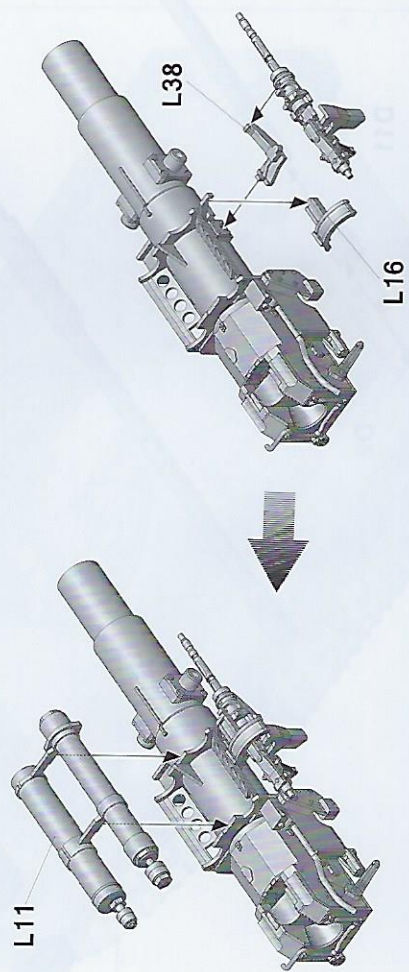
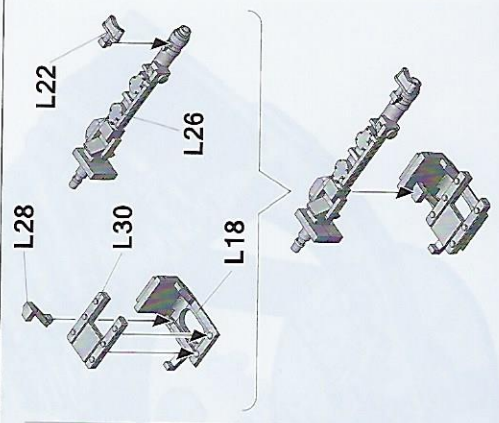
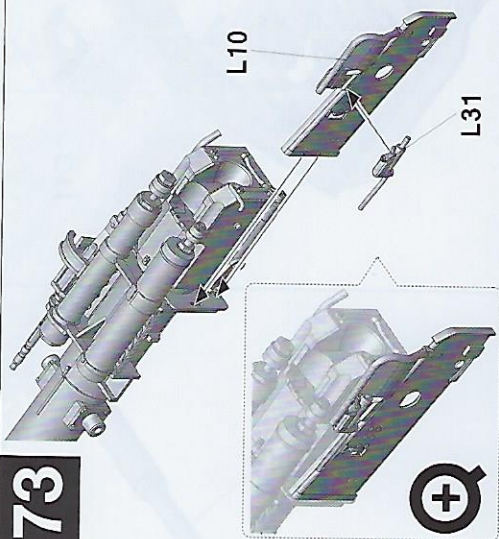
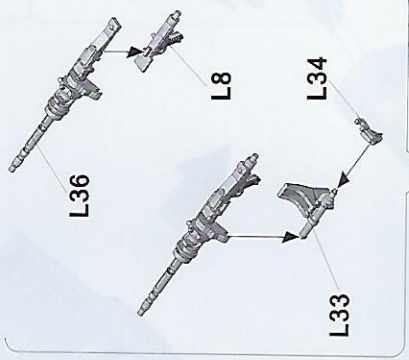
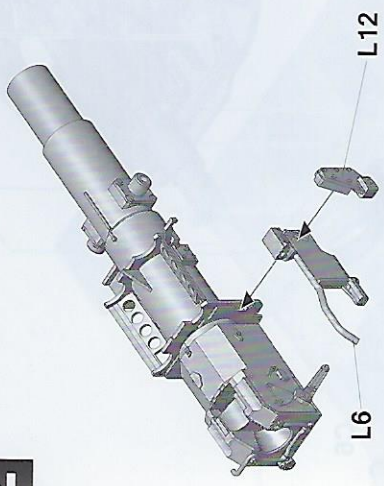
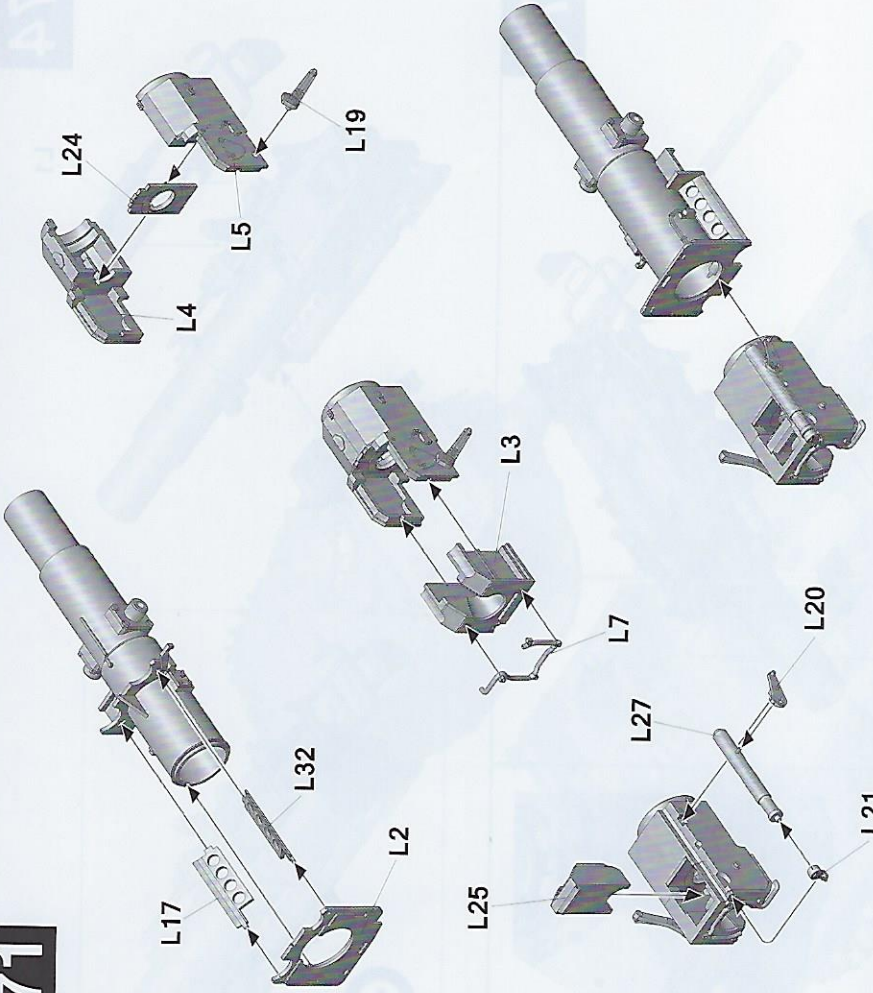
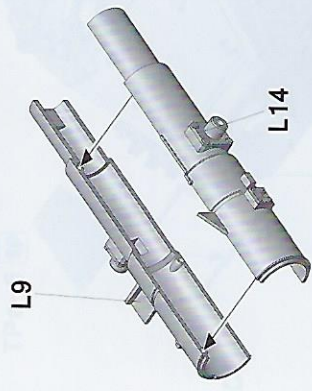




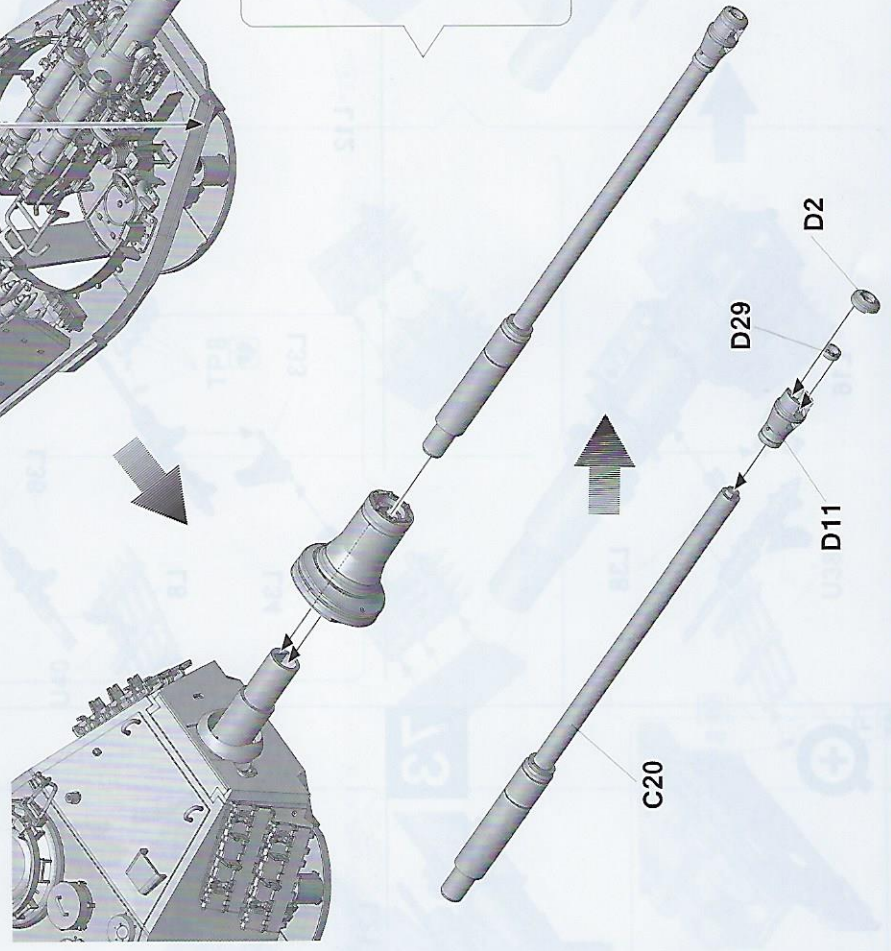
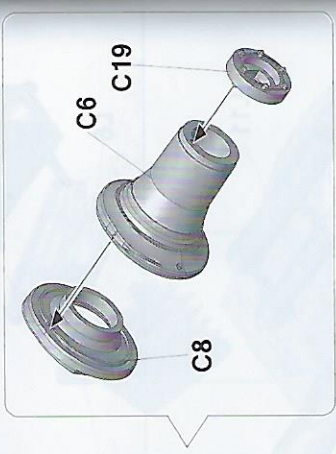
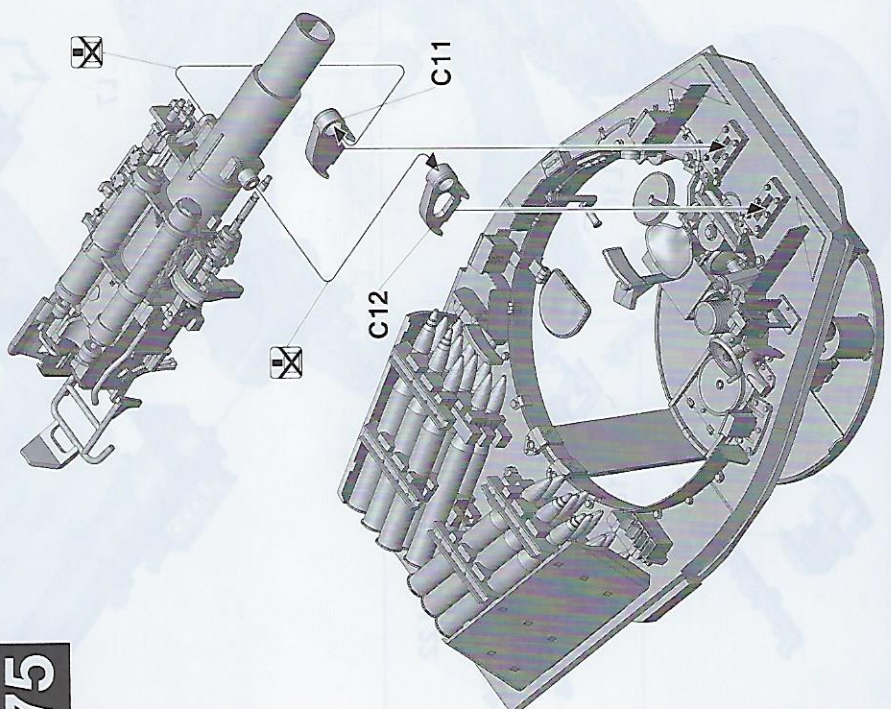
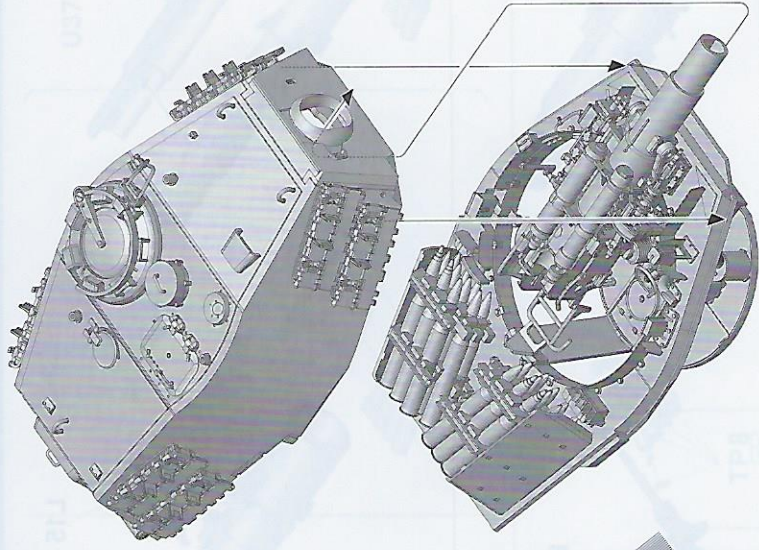
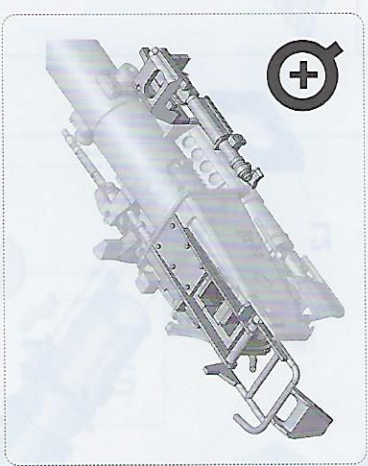
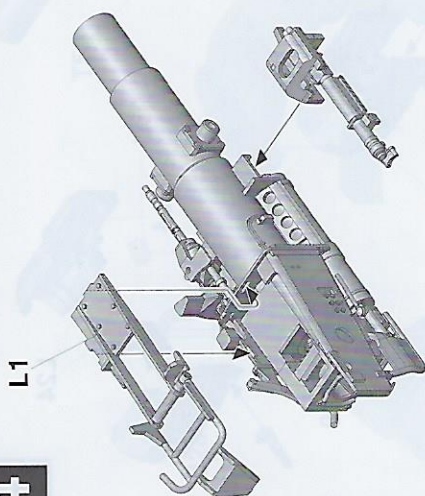






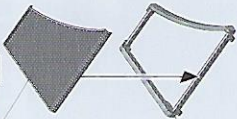






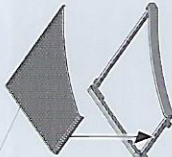


TPa-6

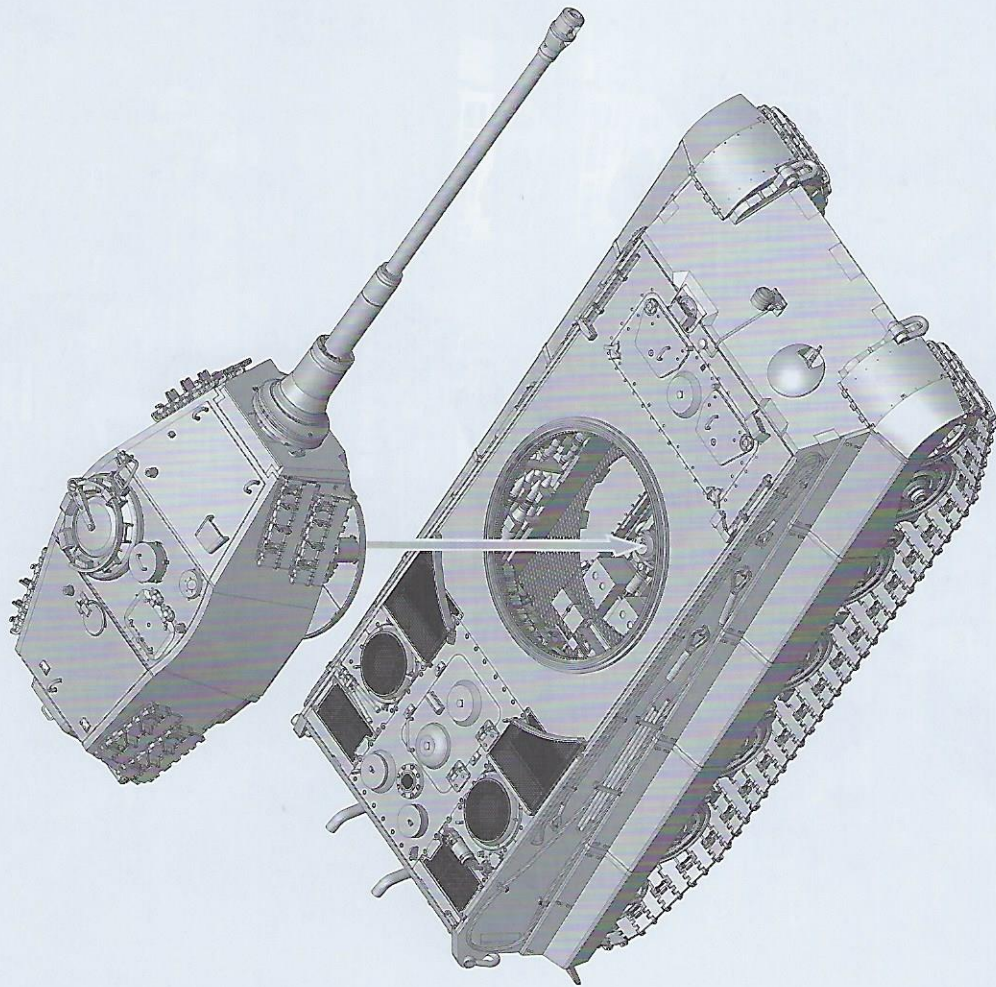
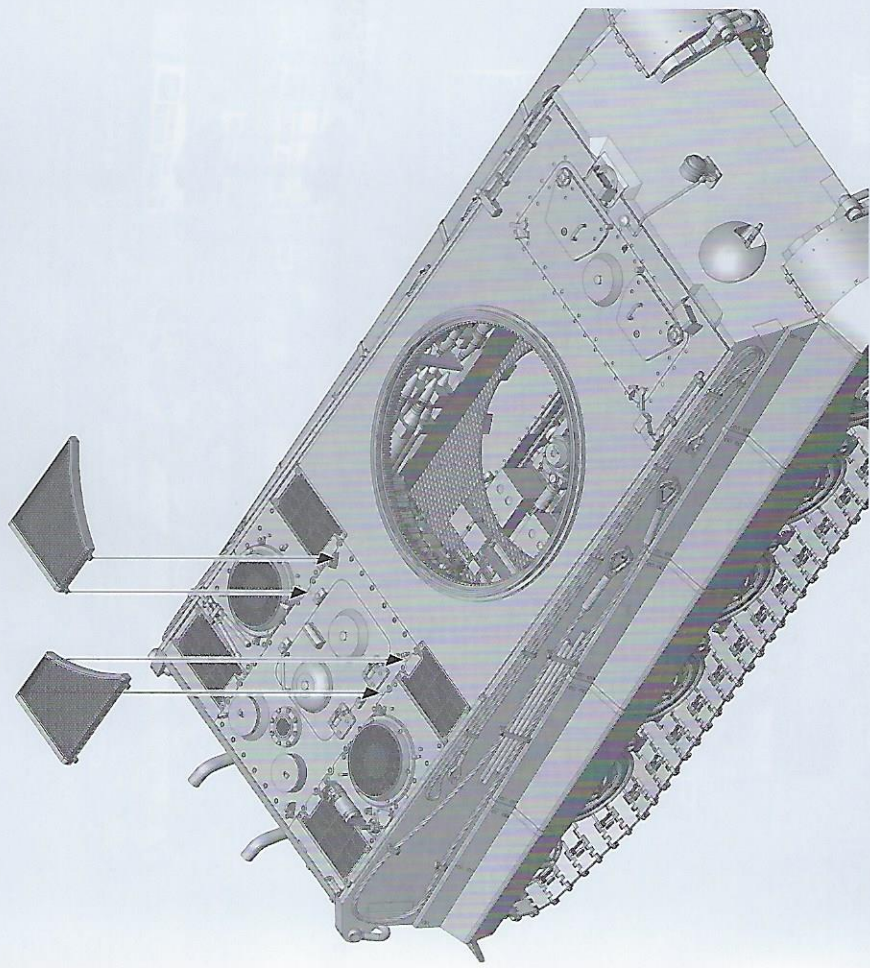


C2

TPa-7



C4





# GERMAN HEAVY TANK

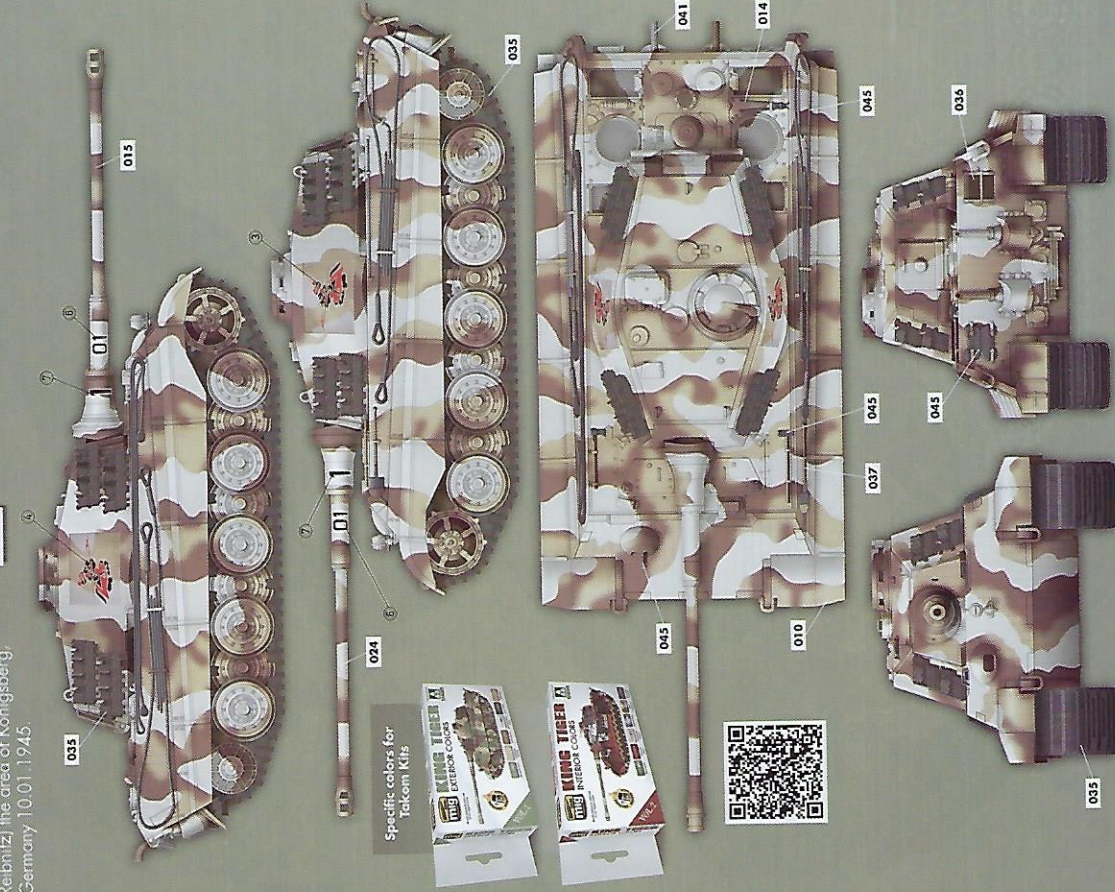
Color info and profiles by



## Painting and Marking Guide

- A.MIG 014 Rottbraun
- A.MIG 024 Weißblaue Weiche Camo
- A.MIG 035 Tank Tracks
- A.MIG 045 Green Metal
- A.MIG 037 New Wood
- A.MIG 036 Old Wood
- A.MIG 015 Dunkelgelb
- A.MIG 015 Schokoladebraun

Tiger Ausf.B, 1./s.H.Pz.Abt.505,  
(no 101-Kompanie) Oblt. Freiherr von  
Reibnitz) the area of Königsberg,  
Germany 10.01.1945.



**TAKOM** Sd.Kfz.182 KingTiger Henschel Turret w/ Zimmerit Pz.Abt.505 Ref. 2047

# GERMAN HEAVY TANK

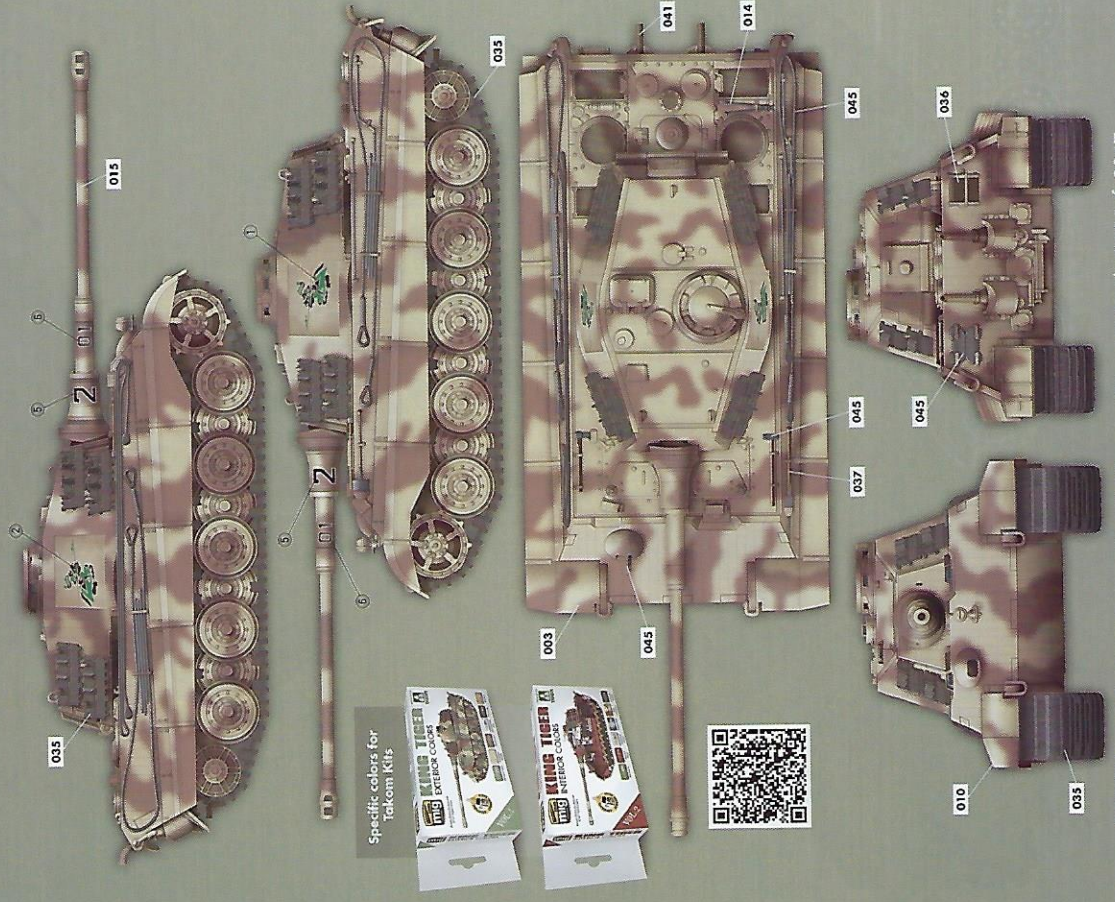
Color info and profiles by



## Painting and Marking Guide

- A.MIG 016 Rottbraun
- A.MIG 035 Tank Tracks
- A.MIG 045 Green Metal
- A.MIG 037 New Wood
- A.MIG 036 Old Wood
- A.MIG 015 Dunkelgelb
- A.MIG 015 Schokoladebraun

Tiger Ausf.B, 2./s.H.Pz.Abt.505, (no 201)  
Village of Młodzianowo, Poland, 08.09.1944.



**TAKOM** Sd.Kfz.182 KingTiger Henschel Turret w/ Zimmerit Pz.Abt.505 Ref. 2047





# Mid M3 LEE

ALL INFORMATION CONTAINED HEREIN IS UNCLASSIFIED EXCEPT WHERE SHOWN OTHERWISE. DATE 01-01-2010 BY 60322 UCBAW/STP/SJW/STP

US MEDIUM TANK



JANUARY 2018

1/35  
NO. 20543

# ŠKODA 42CM M.1917 HEAVY SIEGE HOWITZER

WITH ERICH VON MANSTEIN  
Siege of Sevastopol 1942

RETAIL BOX CONTAINS: 1. KIT: 1 MODEL. A READY TO ASSEMBLE PRECISION MODEL, NOT A CERAMIC PART AND PAINT KIT INCLUDED.



1/35  
NO. 2018



IRAQI MEDIUM TANK

# TYPE-69I

② in ①

1/35  
No. 2054



A READY TO ASSEMBLE PRECISION MODEL. NOT AFFERISHED FOR COLLECTORS OF ALL THE PARTS AND MOVES. A MODEL THAT PART FROM MADE OF BOX. A CERAMIC PART NOT INCLUDED.



# Landkreuzer P1000 Ratte & Panzer VIII Maus

Proto Type

1+2

A THREE PARTS WEIGHT BOX  
A KIT PARTS INCLUDED  
A KIT PARTS INCLUDED  
A KIT PARTS INCLUDED



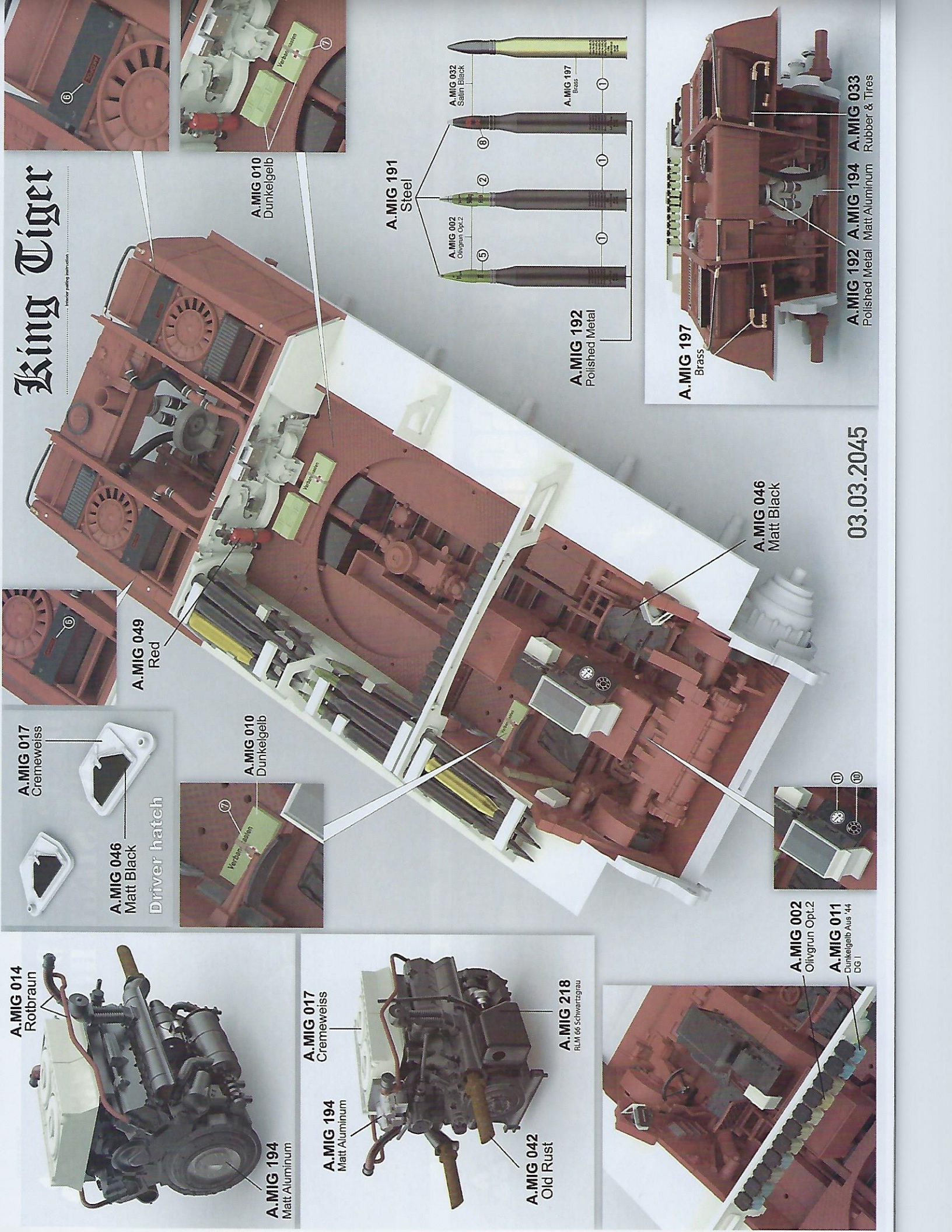
1/144  
NO. 3001





# King Tiger

Builder's packing instructions



**A.MIG 014**  
Rotbraun



**A.MIG 194**  
Matt Aluminium

**A.MIG 017**  
Cremeweiss



**A.MIG 042**  
Old Rust

**A.MIG 218**  
RLM 66 Schwartzeau

**A.MIG 017**  
Cremeweiss



**A.MIG 046**  
Matt Black

Driver hatch

**A.MIG 010**  
Dunkelgelb



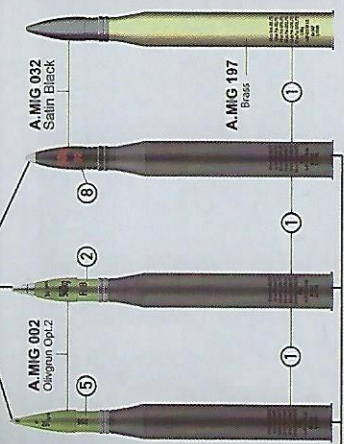
**A.MIG 049**  
Red



**A.MIG 010**  
Dunkelgelb



**A.MIG 191**  
Steel



**A.MIG 192**  
Polished Metal

**A.MIG 197**  
Brass



**A.MIG 046**  
Matt Black



**A.MIG 002**  
Olivgrun Opt.2

**A.MIG 011**  
Dunkelgelb Aus '44  
DG'



03.03.2045

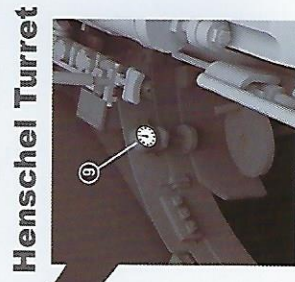
**A.MIG 192** Polished Metal  
**A.MIG 194** Matt Aluminium  
**A.MIG 033** Rubber & Tires



# King Tiger

..... Interior painting instruction .....

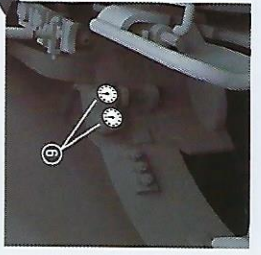
**Henschel Turret**



**Henschel Turret**



**Porsche Turret**



**A.MIG 017**  
Cremeweiss

**A.MIG 046**  
Matt Black

**A.MIG 017**  
Cremeweiss

**A.MIG 010**  
Dunkelgelb

**A.MIG 909**  
Grey Light Base

**A.MIG 014**  
Rotbraun

**A.MIG 046**  
Matt Black

**A.MIG 032**  
Satin Black

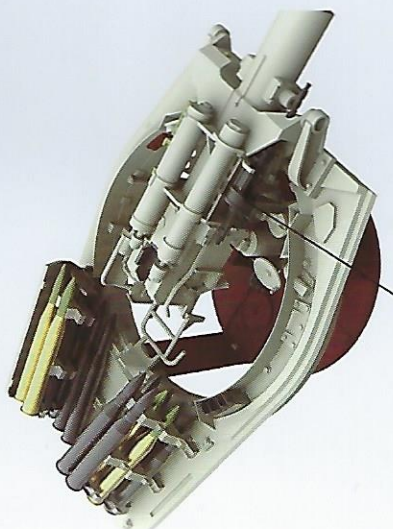
**A.MIG 191**  
Steel

**A.MIG 194**  
Matt Aluminium

**A.MIG 194**  
Matt Aluminium

**A.MIG 032**  
Satin Black

**Porsche Turret**

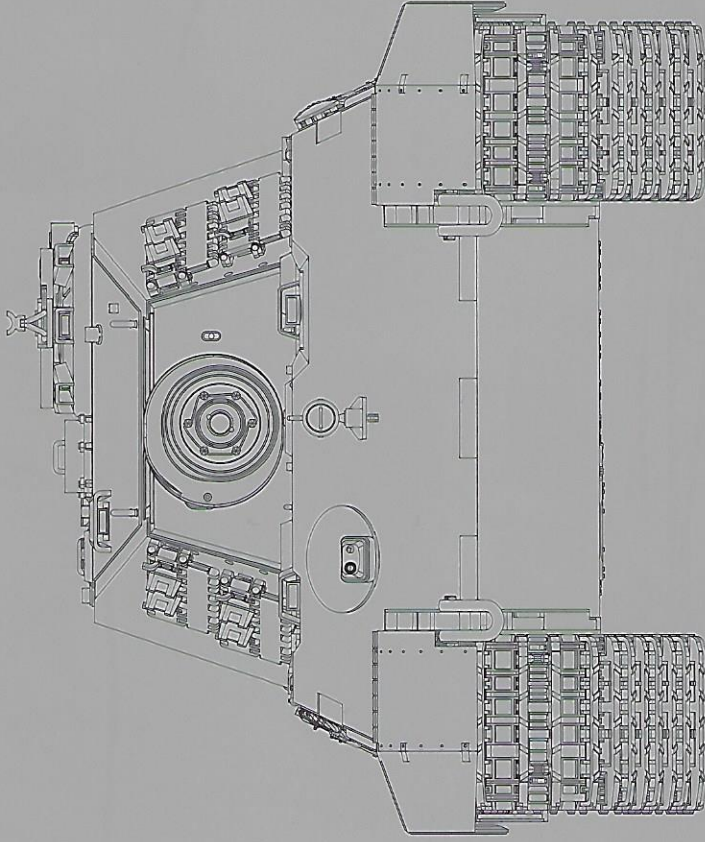


**A.MIG 045**  
Gun Metal

**A.MIG 014**  
Rotbraun



2016/2047S



You can find TAKOM on Facebook.com