



T520605

AI



# KENWORTH

## K-123 CABOVER TRACTOR

READ THIS BEFORE YOU BEGIN  
Cement all parts unless otherwise indicated.

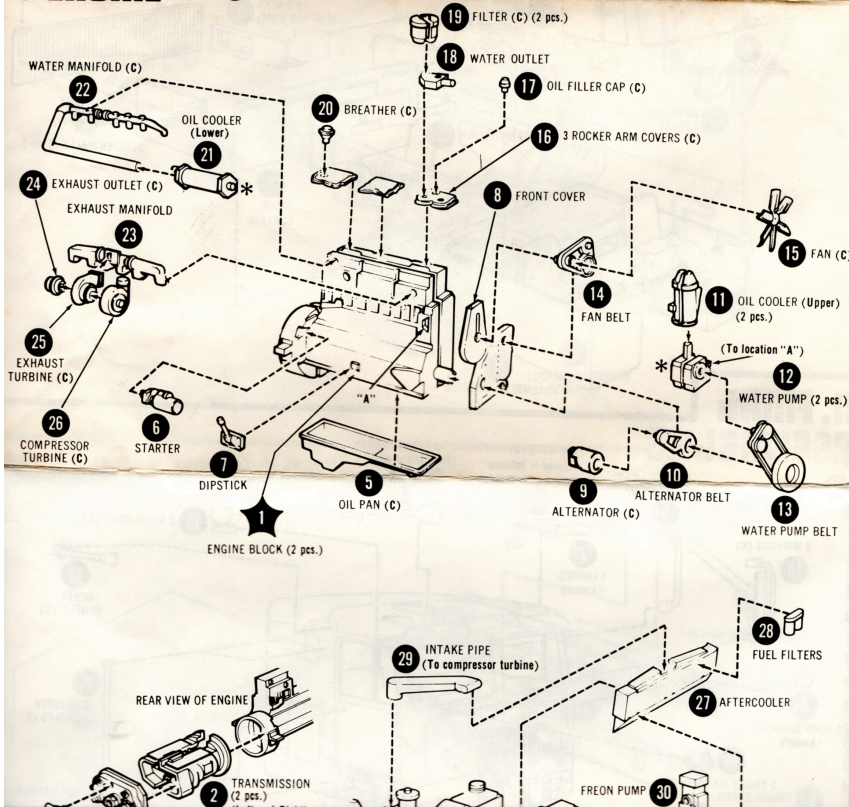
Look over this instruction sheet carefully before you begin building. Follow the assembly instructions and "test-fit" the parts without cementing. This will familiarize you with the location of the parts.

For the best results, the various sub-assemblies and components should be painted before any "chrome" parts are attached. For example: When attaching "non-chrome" body accessories, it is best to cement them in place and paint the body as a unit.  
AMT kits are molded from the finest High-Impact Styrene plastic. Use

only paint and cement made for Styrene. Trim excess plastic from parts before joining. When attaching "chrome" parts, scrape plating away where parts are to be joined. Use just enough cement to join parts, and be careful not to smear cement on exposed surfaces.

Built according to the instructions on this sheet, you should have no trouble assembling your kit. Just FOLLOW THE NUMBERS, as parts are numbered in order of assembly. (C) INDICATES "CHROME" PARTS.

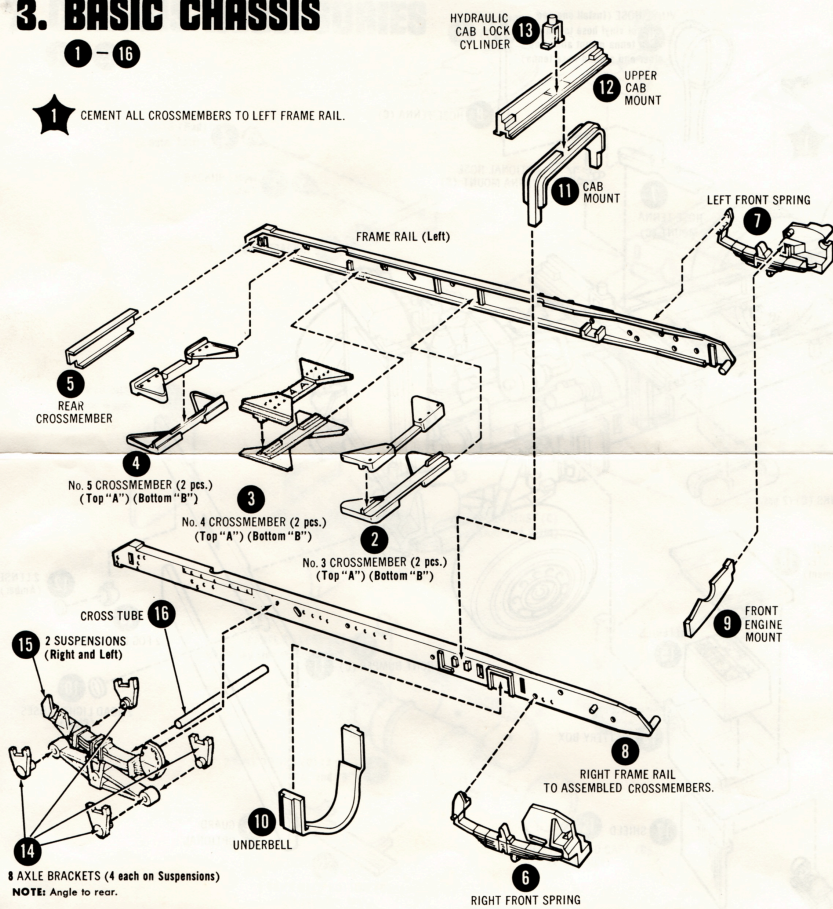
### I. ENGINE 1 - 33



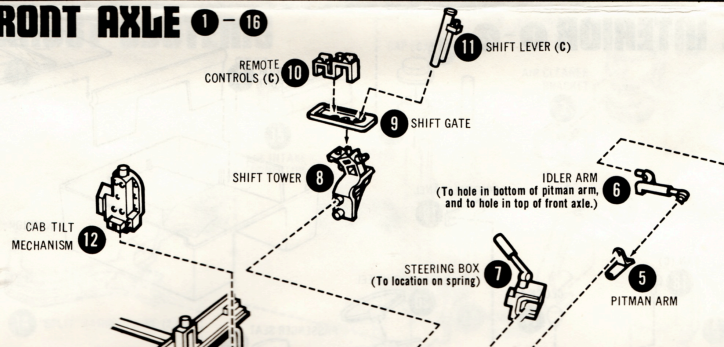
### 3. BASIC CHASSIS

1 - 16

**1** CEMENT ALL CROSSMEMBERS TO LEFT FRAME RAIL.



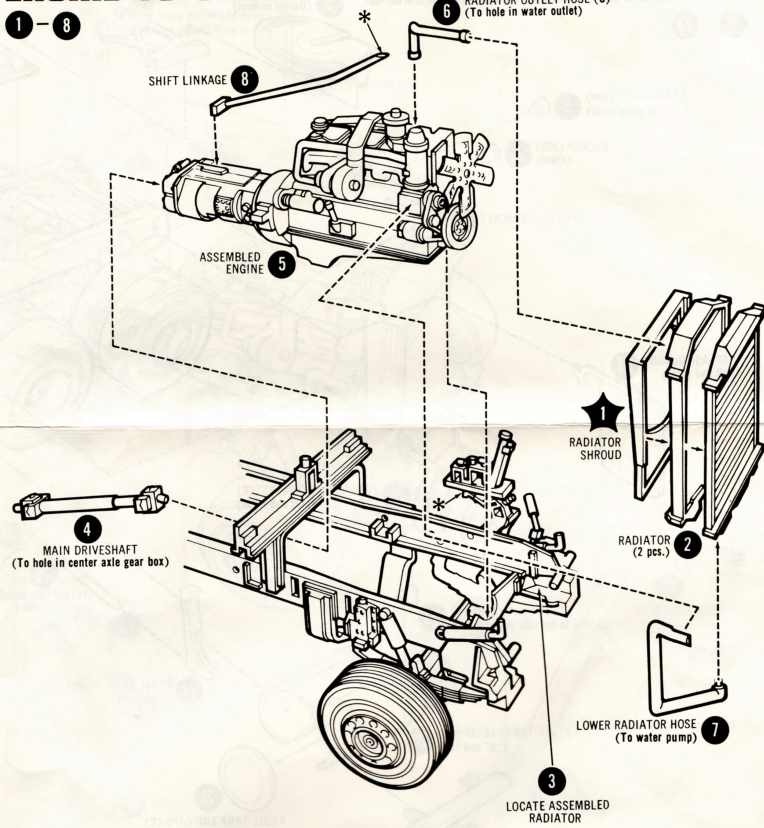
### 4. FRONT AXLE 1 - 16



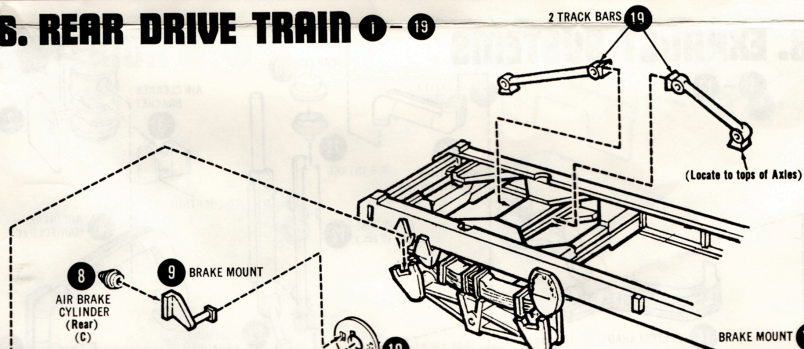


## 5. ENGINE TO CHASSIS

1-8

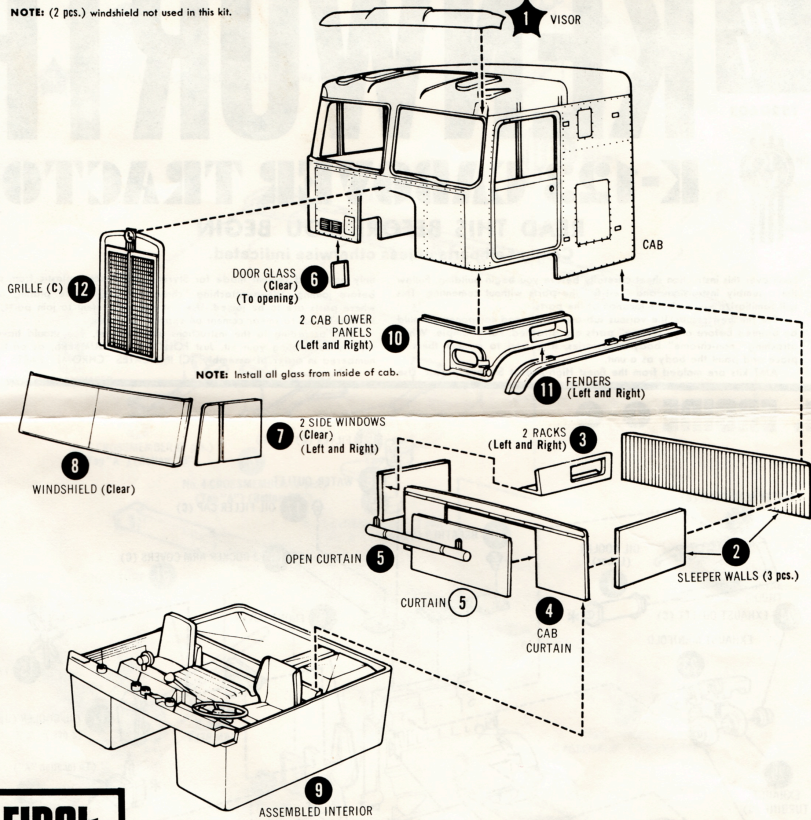


## 6. REAR DRIVE TRAIN 1-19



## 10. WINDOWS INTERIOR TO CAB 1-12

NOTE: (2 pcs.) windshield not used in this kit.



## 11. FINAL ASSEMBLIES

