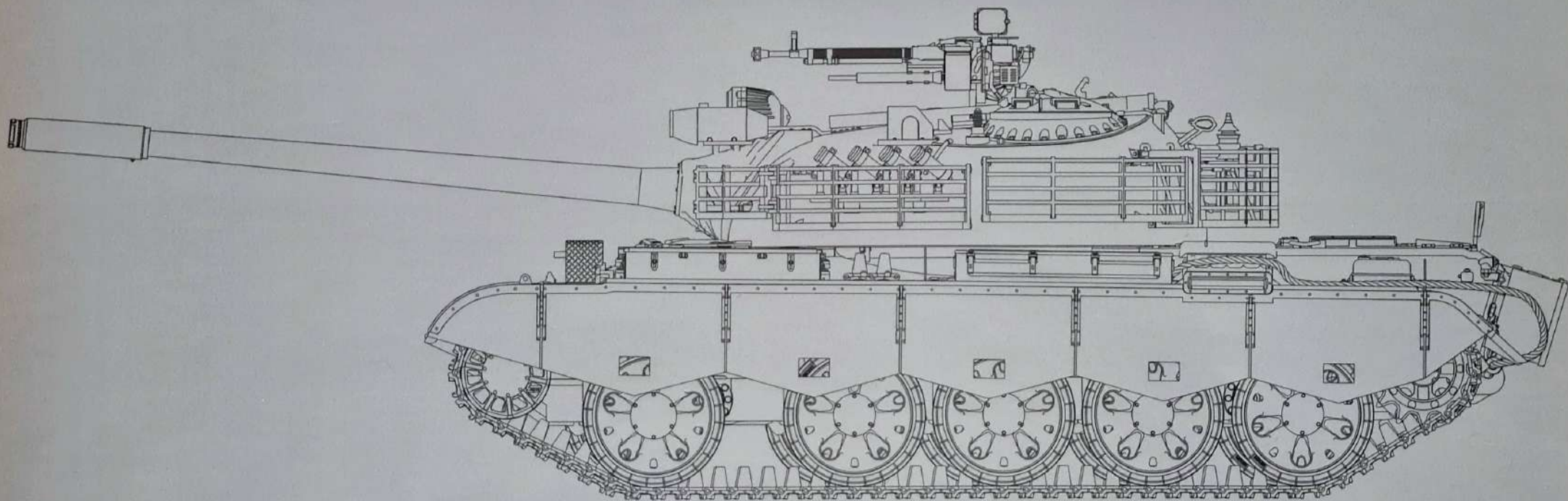


IRAQI MEDIUM TANK

TYPE 69-II

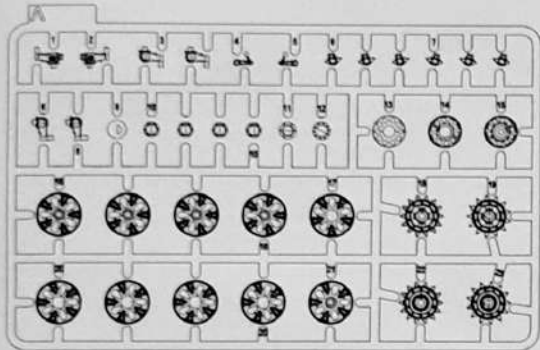


The ubiquitous T-54 & T-55 series is the most produced tank type in history, with an estimated 100,000 units having been produced in Russia, Czechoslovakia, Poland, and China. These tanks have been evolving since their inception at the end of WWII, continuously incorporating improved weapons, power packs, and protection, and they continue to be rebuilt and refurbished with local upgrades even today. They have also formed the basis of many other AFV's, such as ARV's, APC's and AVLB's, and still serve in large numbers today with as many as 50 nations.

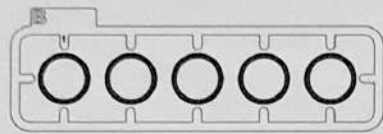
The Type 69-I, or NORINCO WZ121, is an improved version of the Type 59 developed after China captured a T-62 from Russia during the Sino-Soviet border conflict in 1969. This was the first effort by China to independently produce their own tank, and it went into production in the late 70's. The rear hull features a pronounced bulge (similar to that on the T-62) housing the cooling fan for its Type 12150L-7BW liquid cooled 580hp supercharged V-12 diesel engine, and the headlights are mounted in pairs over each fender. The lower glacis plate on the front of the hull is also rectangular in shape, as apposed to the trapezoidal lower glacis on the rest of the T-54/55 family. The Type 69I is armed with a new 100mm smoothbore main gun (later proving to be unsuccessful), identified by the different configuration for the fume extractor. Secondary armament consists of a coaxial 7.62mm MG and a locally produced 12.7mm DShK AA heavy MG clone (known as the Type 54) mounted on the commander's cupola. Only around 150 Type 69-1's were produced, and few were exported.

The more common Type 69-II, or NORINCO WZ121A, is an improved version of the Type 69 that went into production in 1982. It is armed with the rifled 100mm main gun incorporating the TSFCS double-axis stabilization system. It is also equipped with a new Type 70 gunsight, laser rangefinder, ballistics computer, infra-red night fighting equipment, and has provisions for NBC protection. Later production versions incorporate stand-off armor stowage baskets or 'boom shields' around the turret, which can be seen in many configurations. The Type 69-IIc is one of the the command versions, and carries additional, more powerful radios, and is identified by the radio aerial stowage tube running down the centerline of the turret, as well as the pair of stowage boxes (containing a cable reel & field telephone) mounted on the rear hull. The Type 69-II has been exported to numerous nations and fights in many conflicts around the globe.

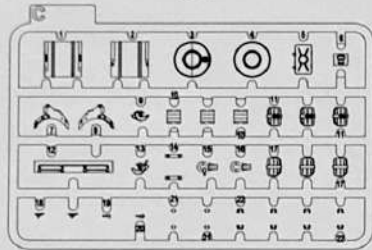
PARTS



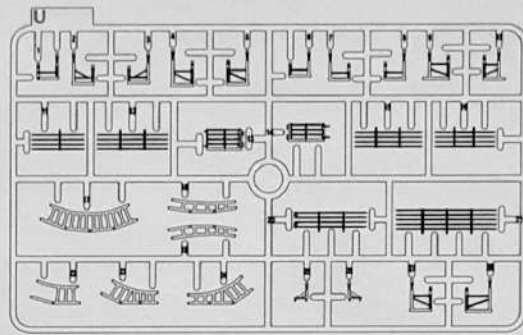
X2



X4

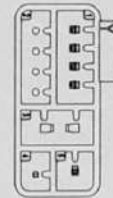
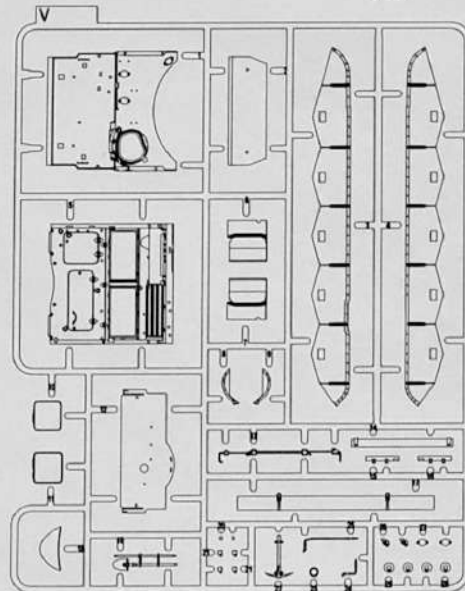
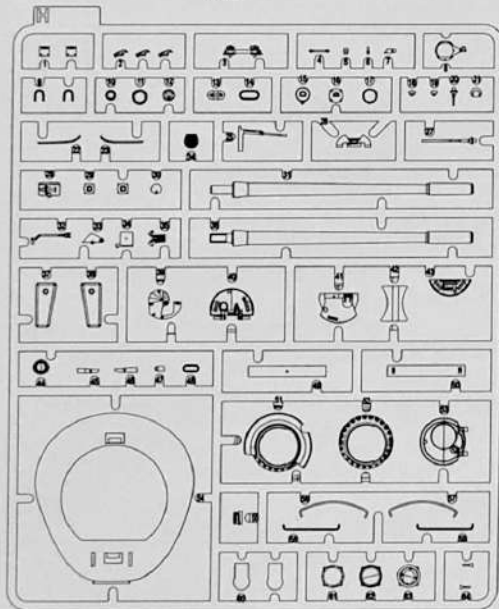
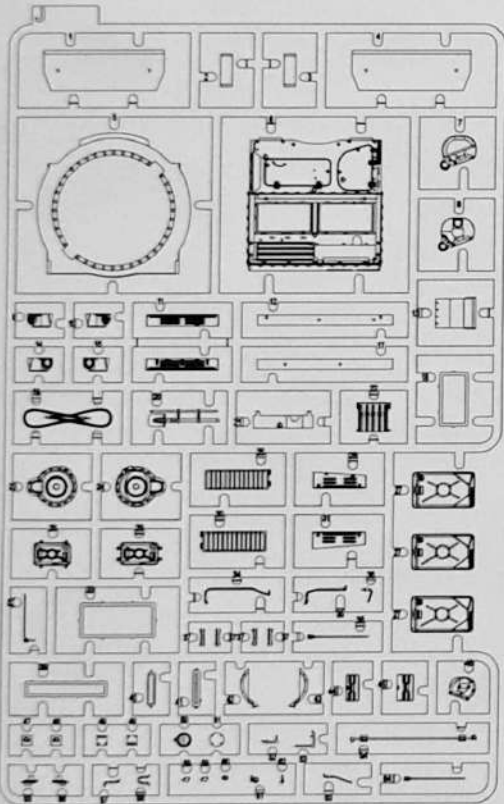
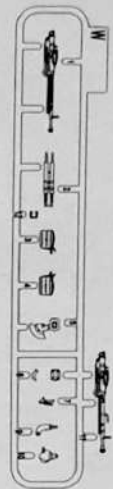
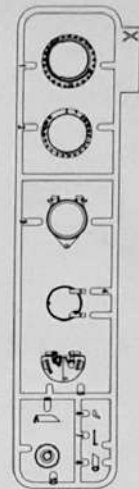
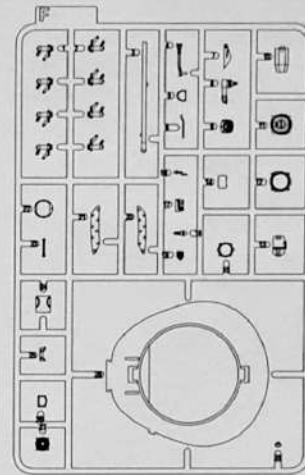


X2

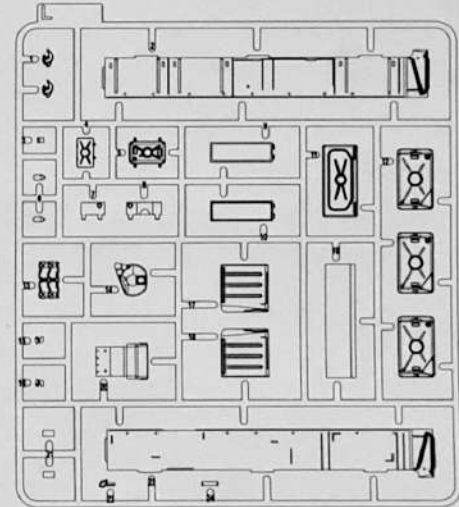


X184

Poly Cap
X2



Dust Cover



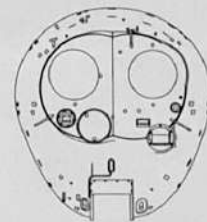
Decal



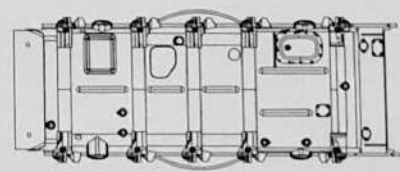
TP



TP

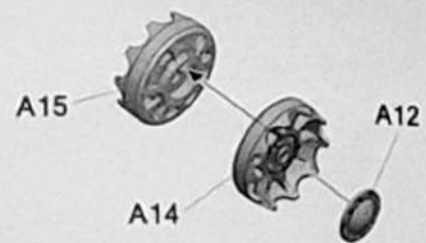
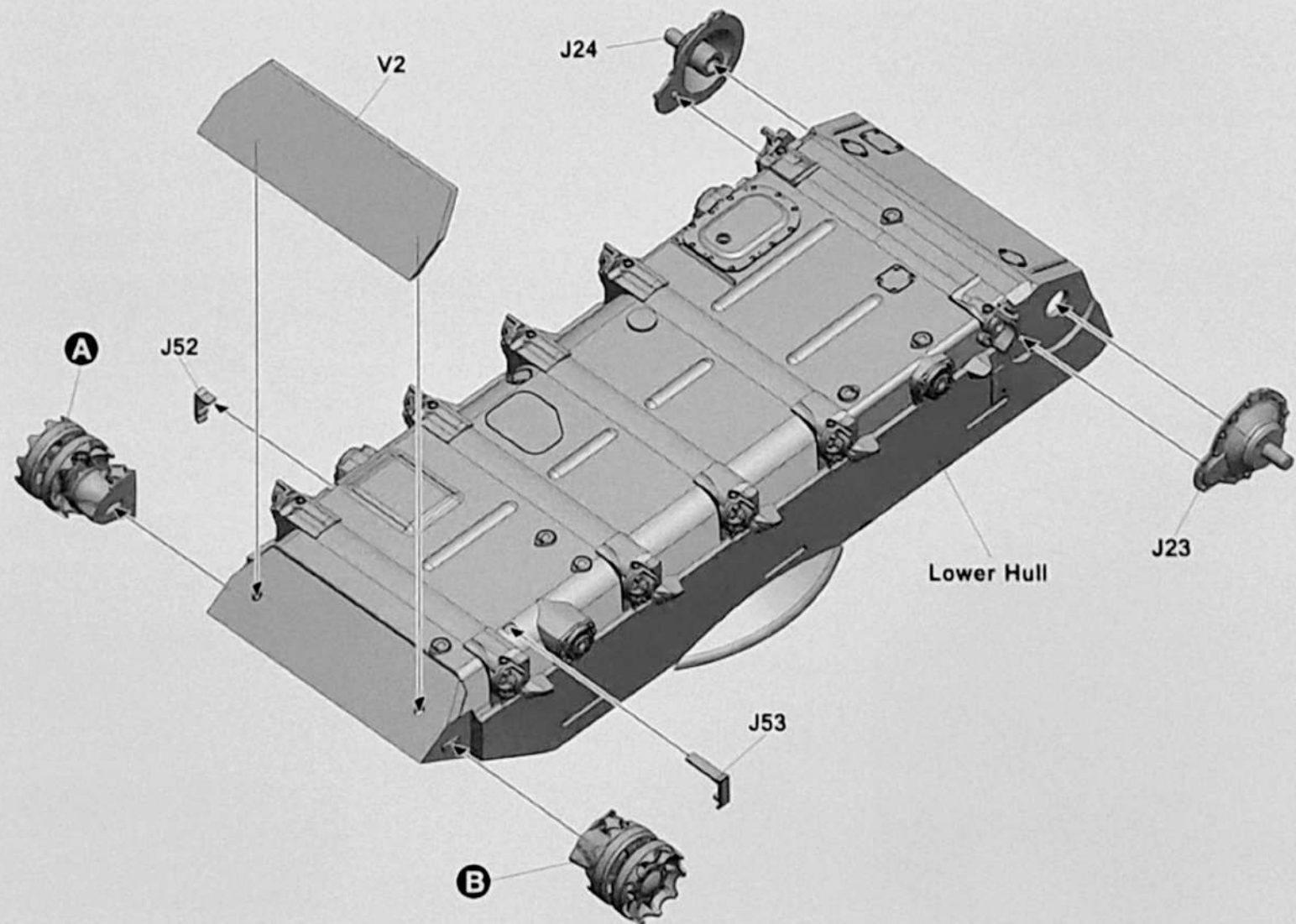
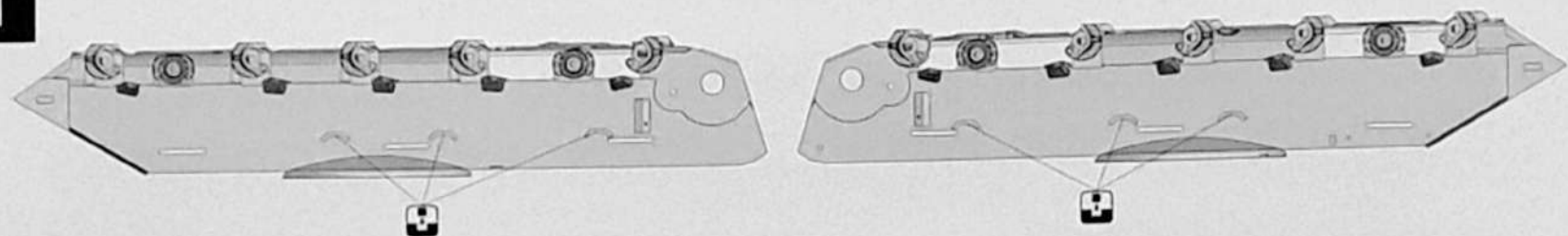
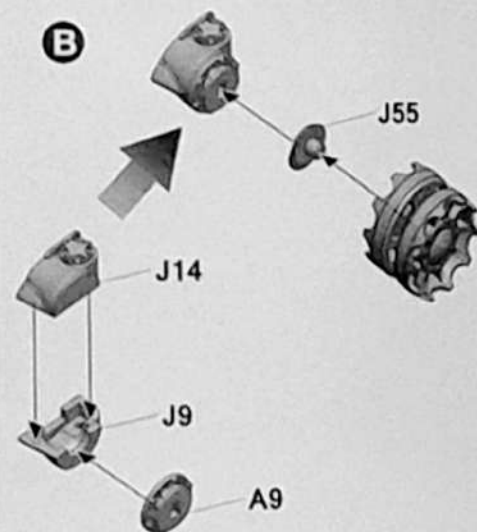
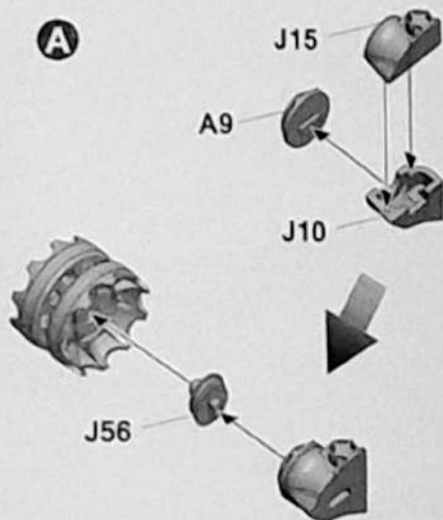


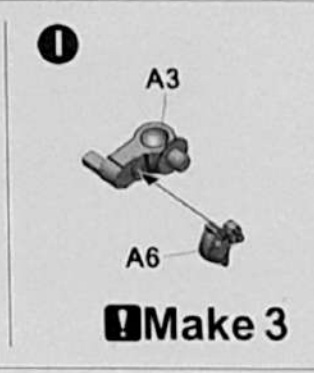
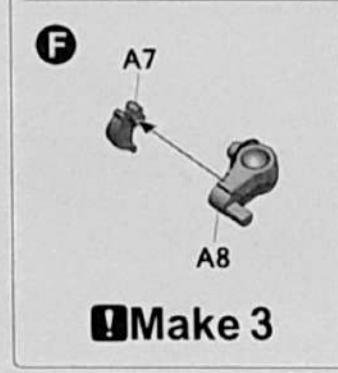
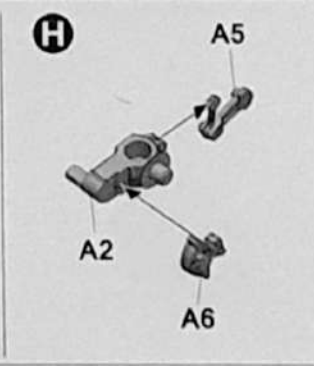
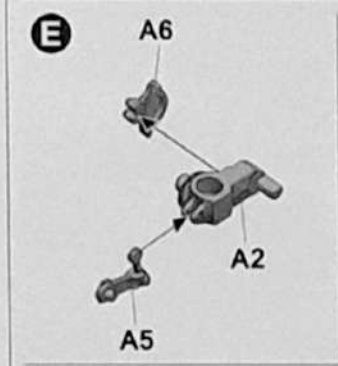
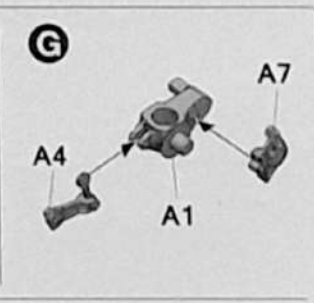
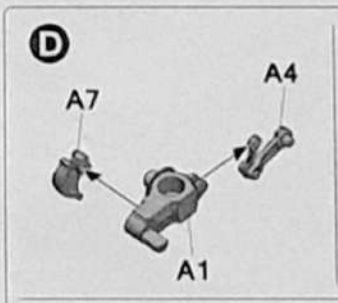
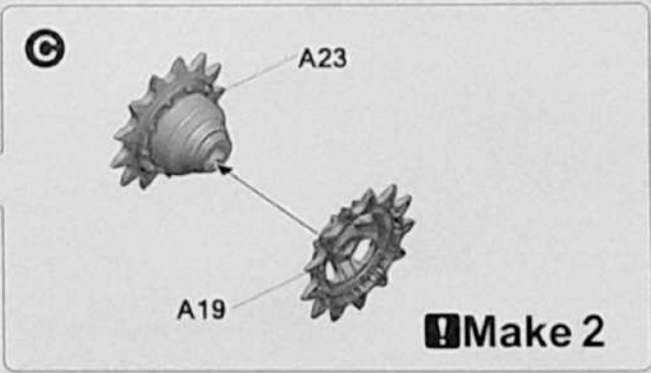
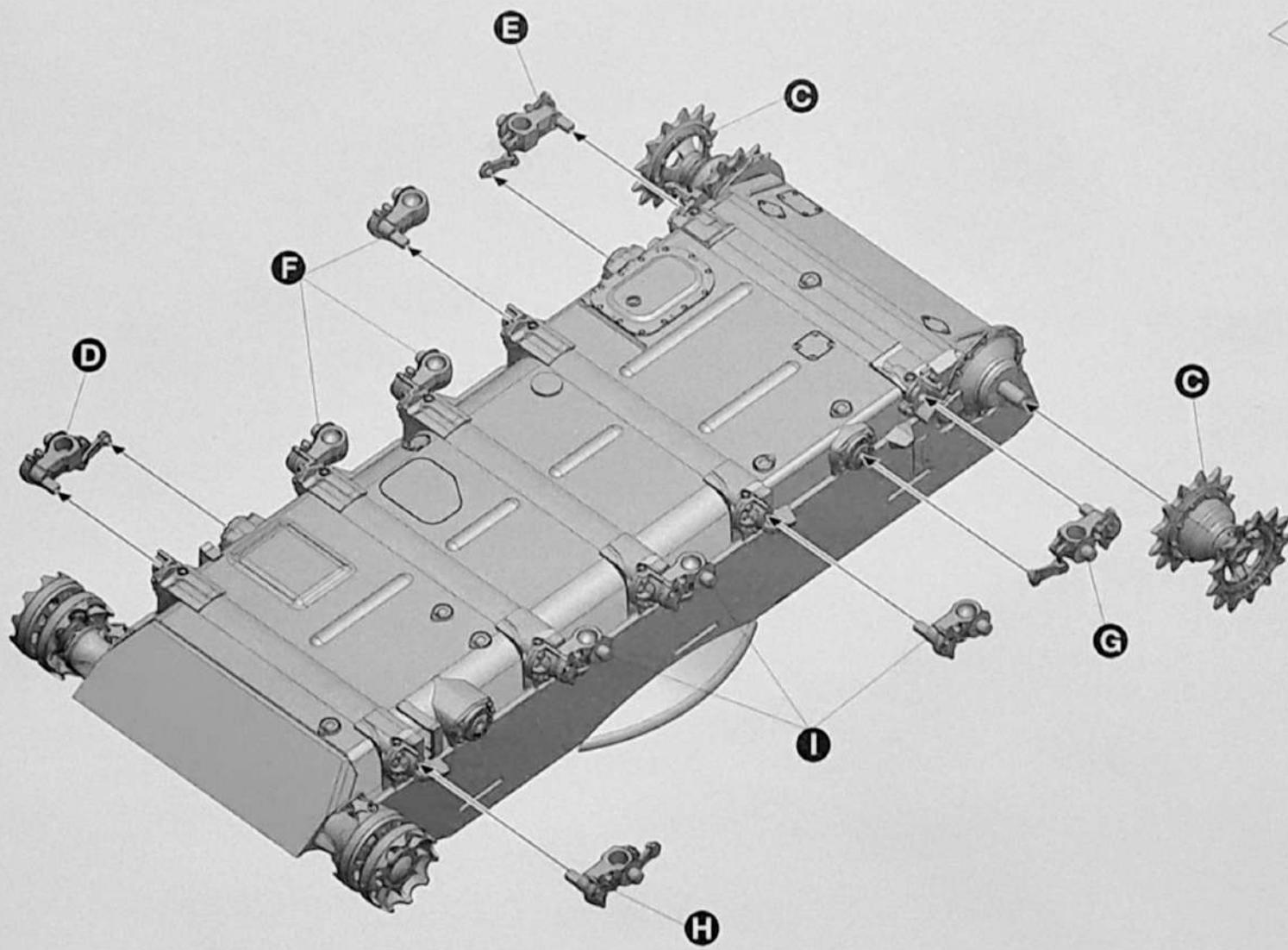
Turret

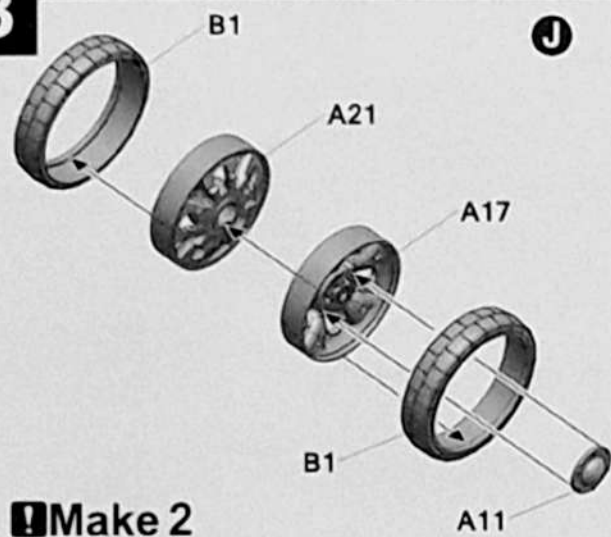
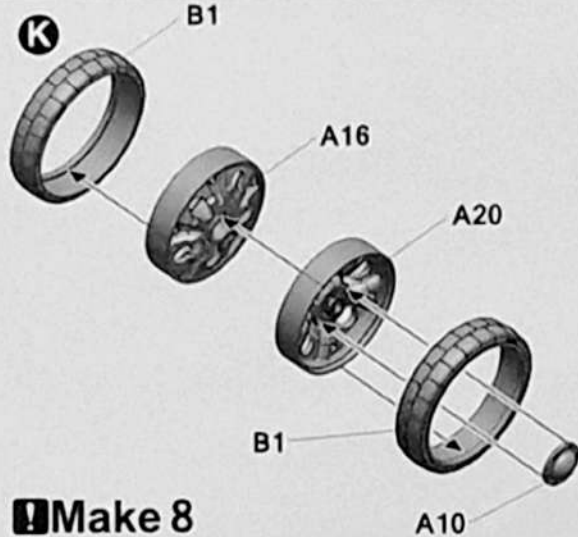
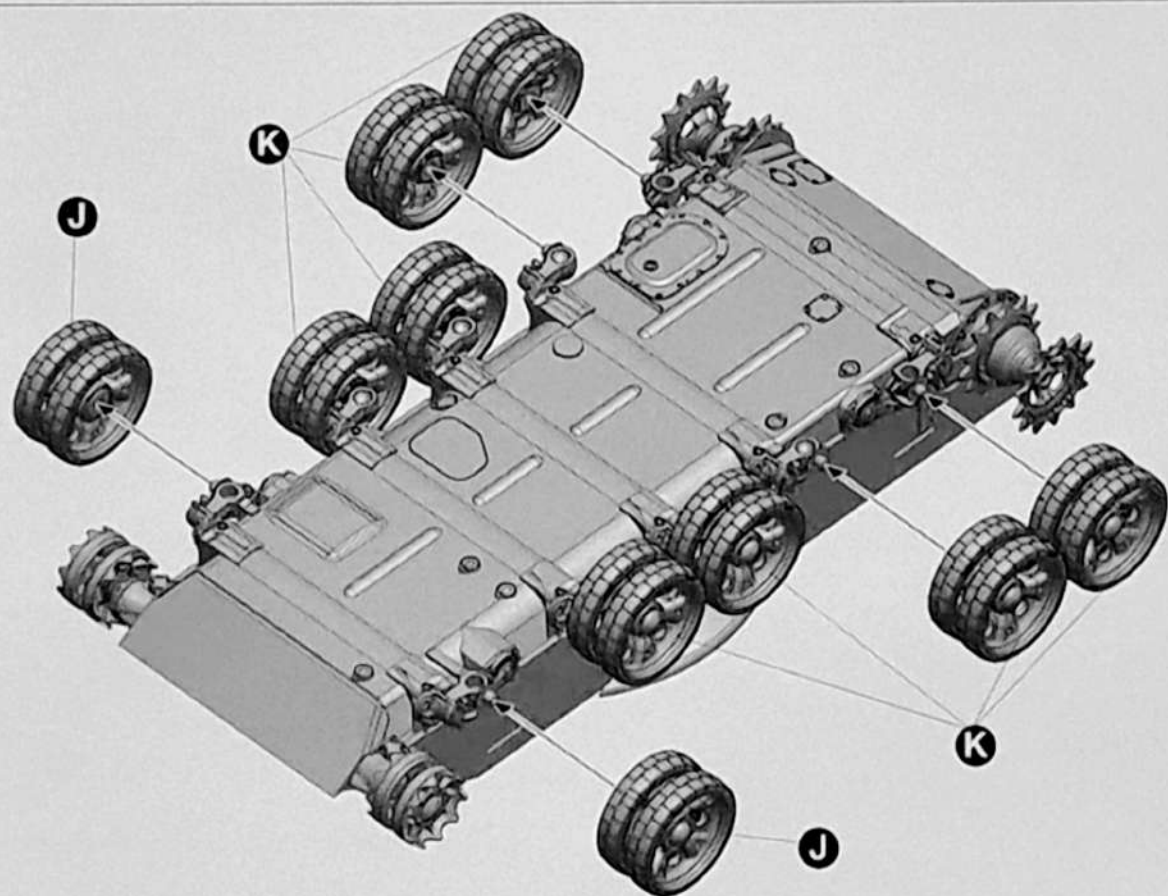
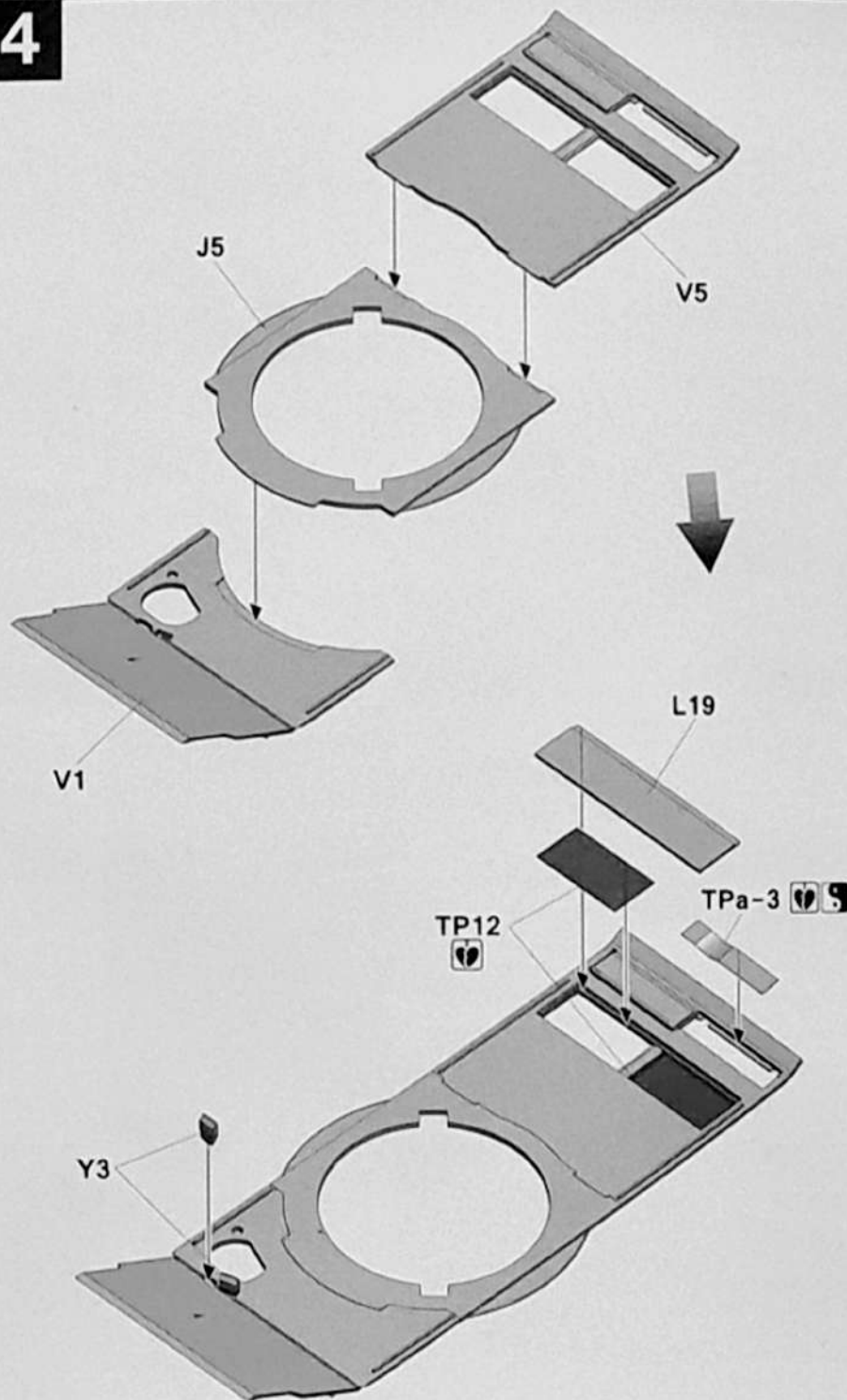


Lower Hull

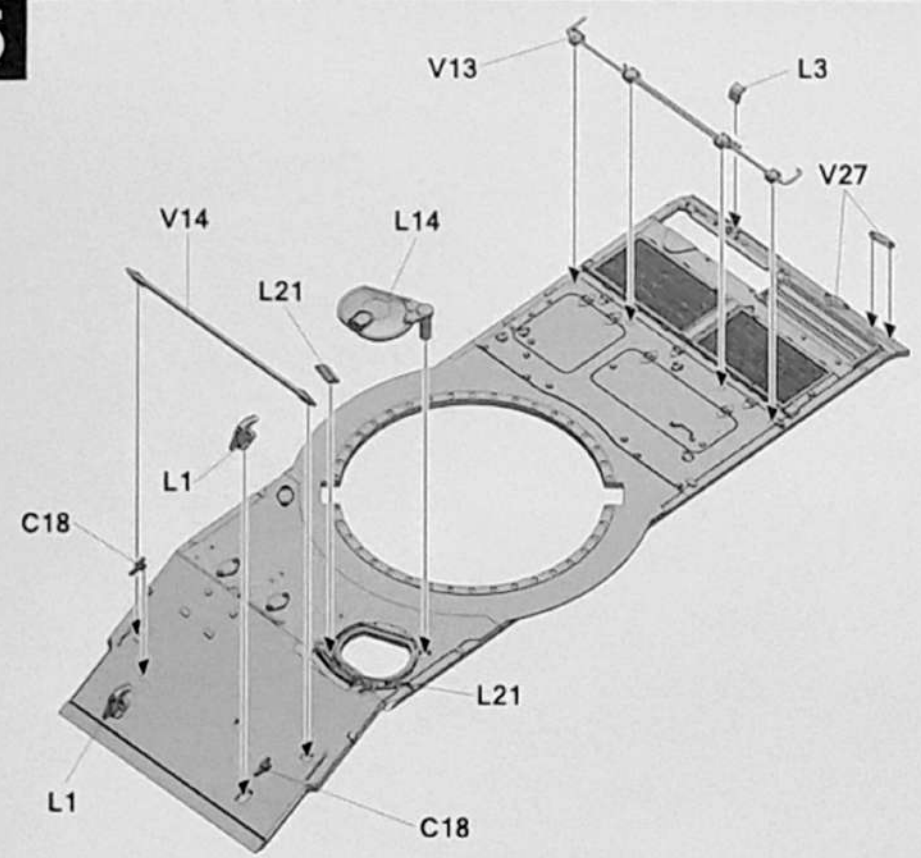
Cable

1**Make 2****3**

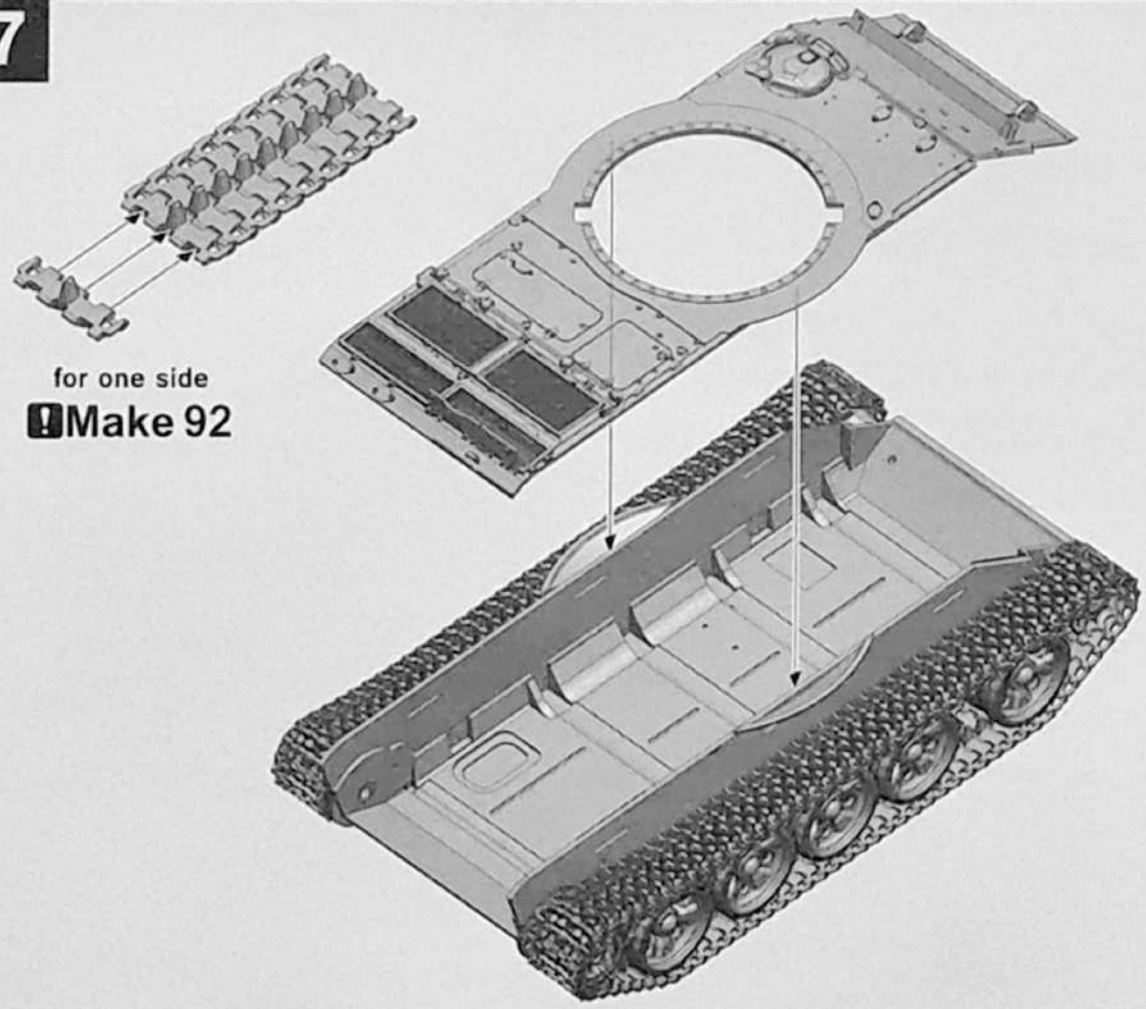


3**J****K****4**

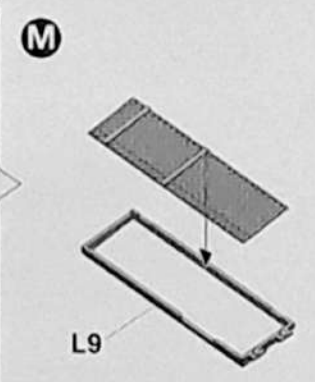
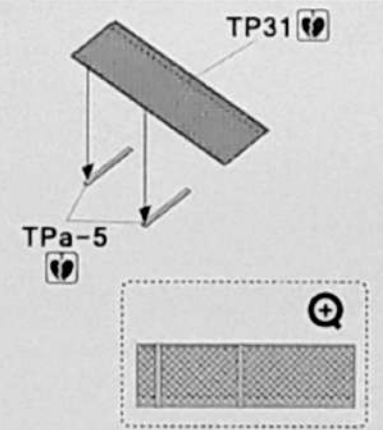
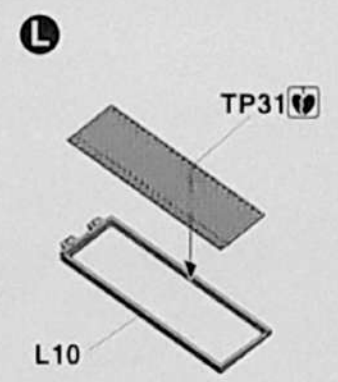
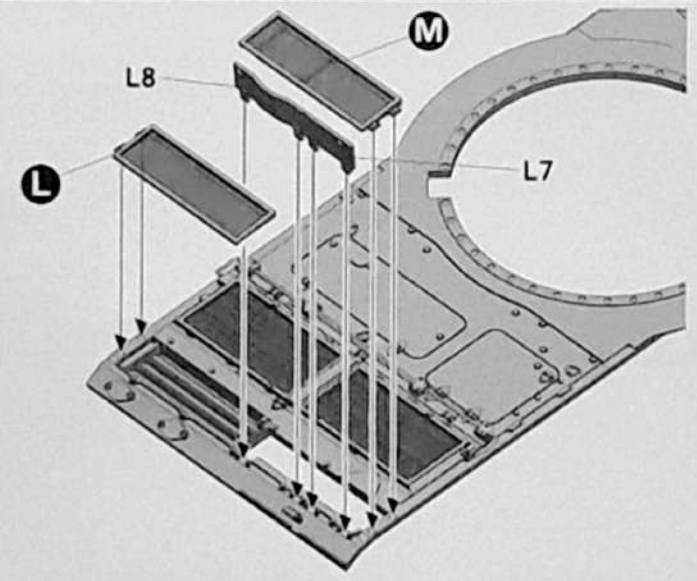
5



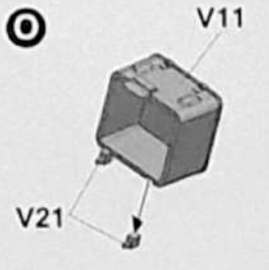
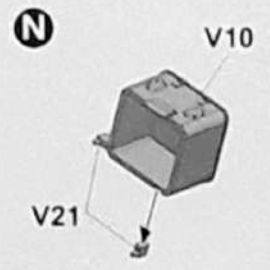
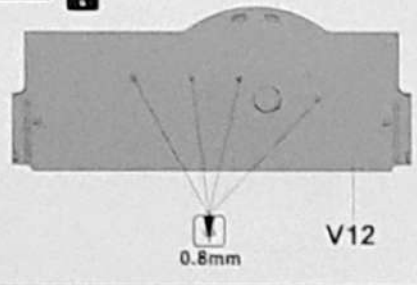
7



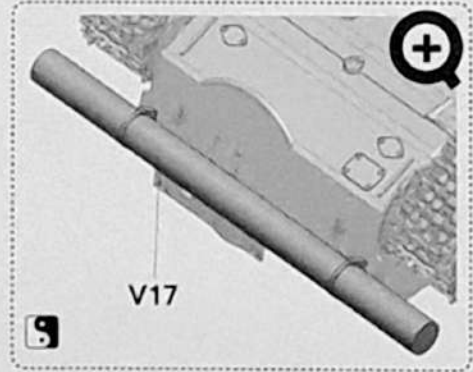
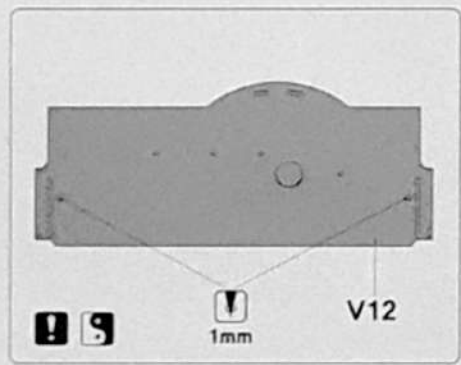
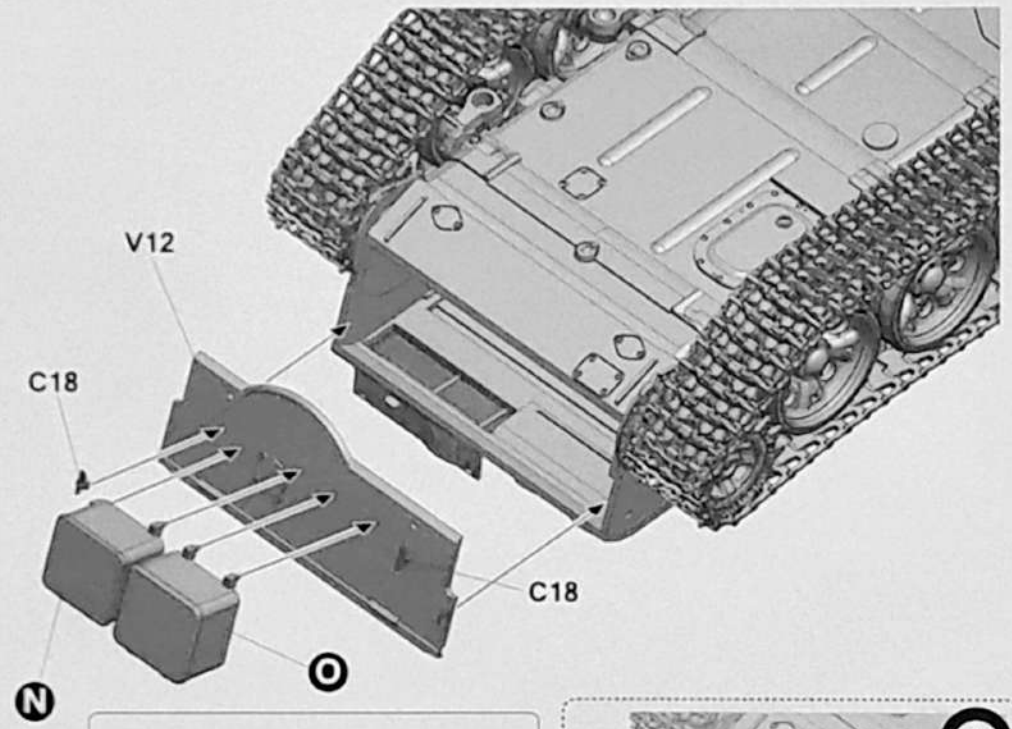
6



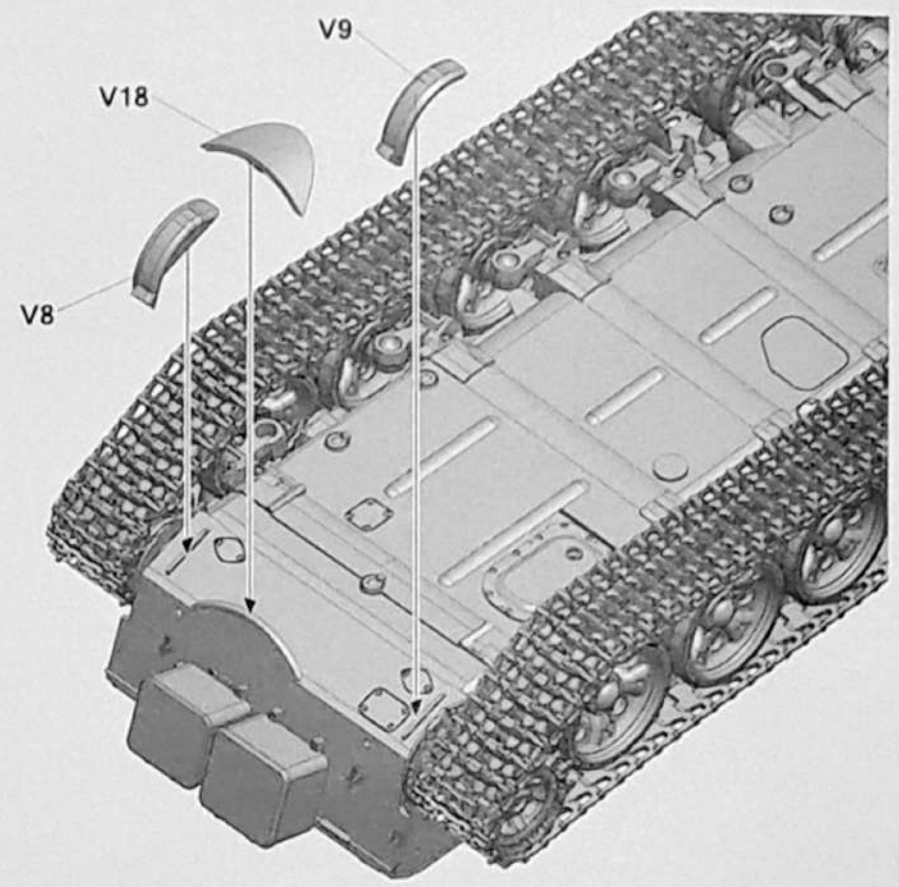
8 For Command Type Only



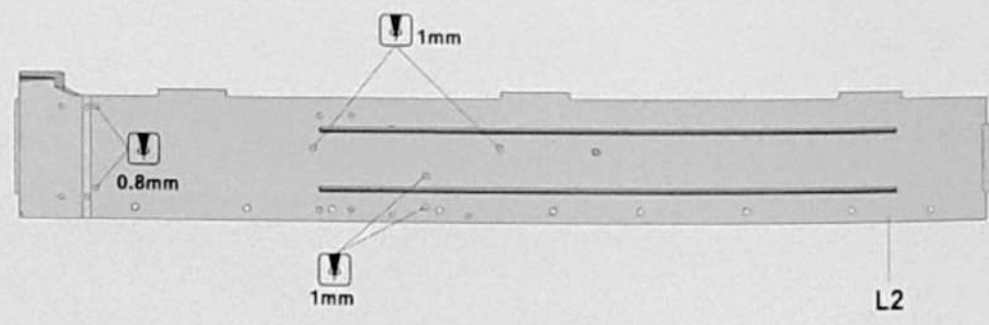
For Command Type Only



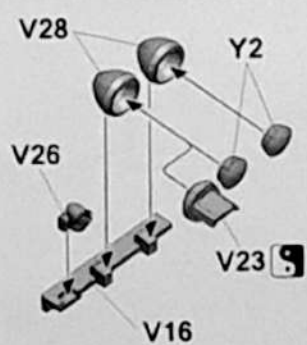
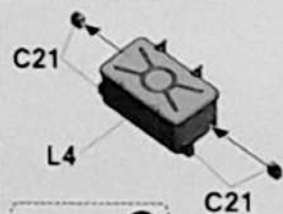
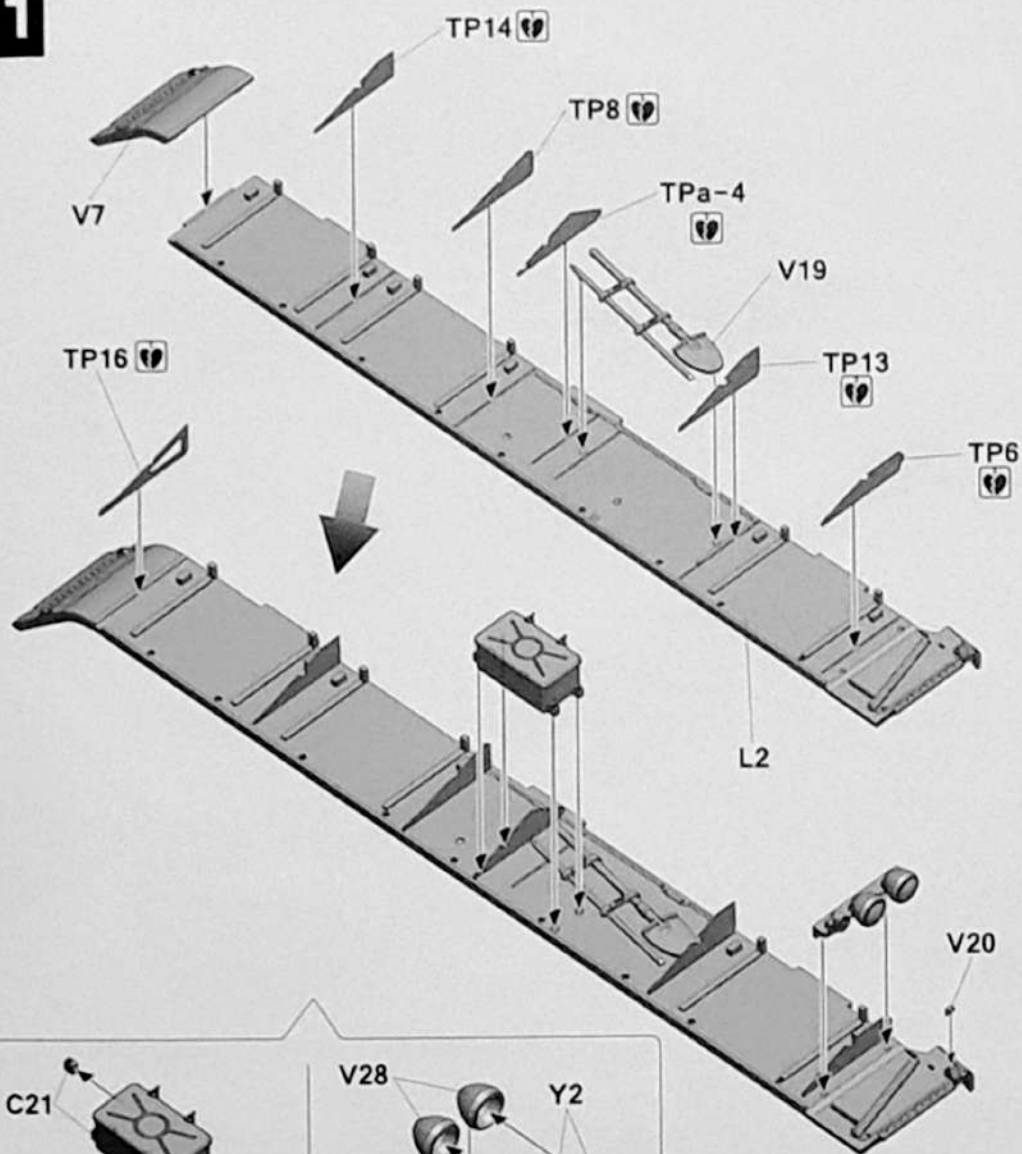
9



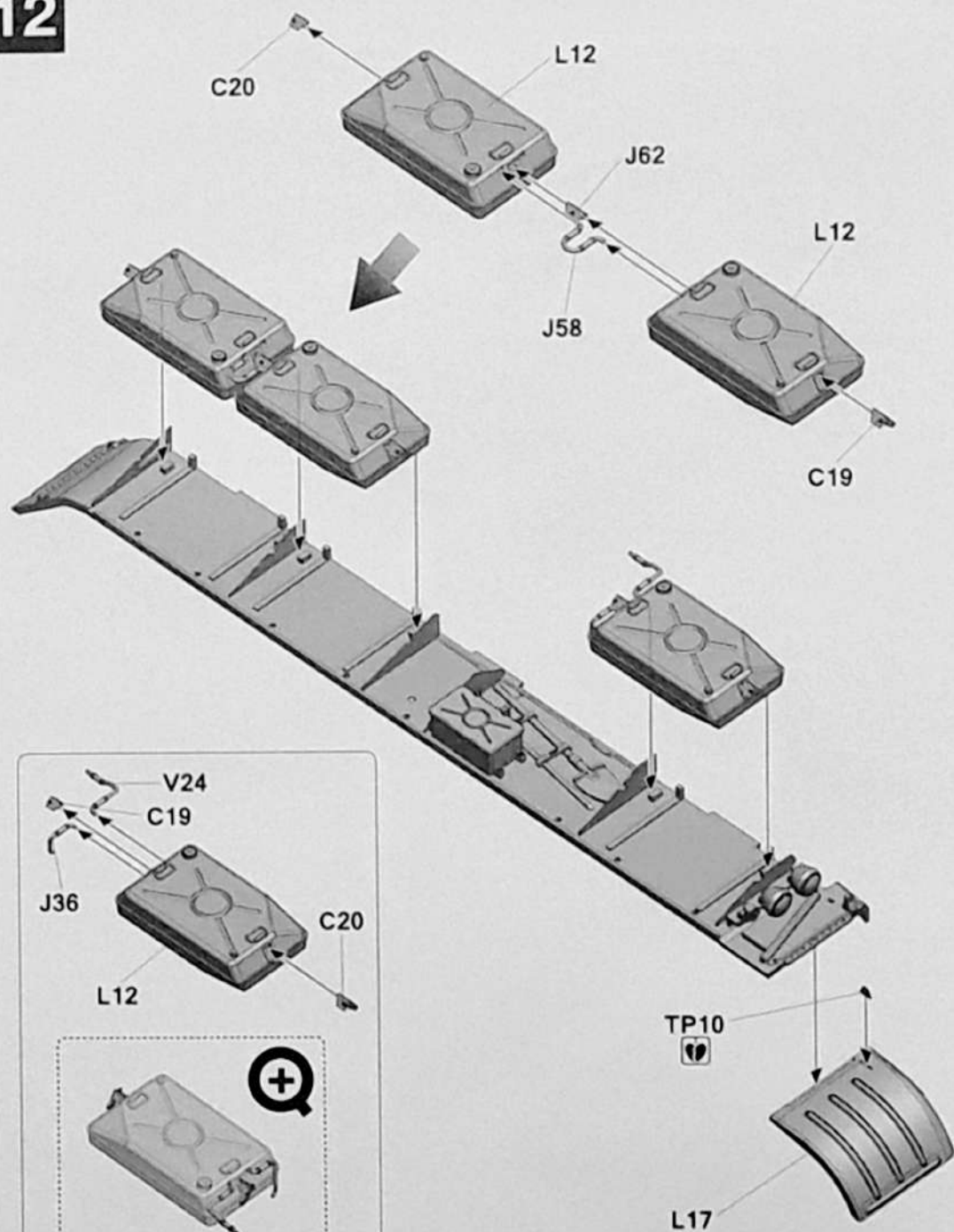
10



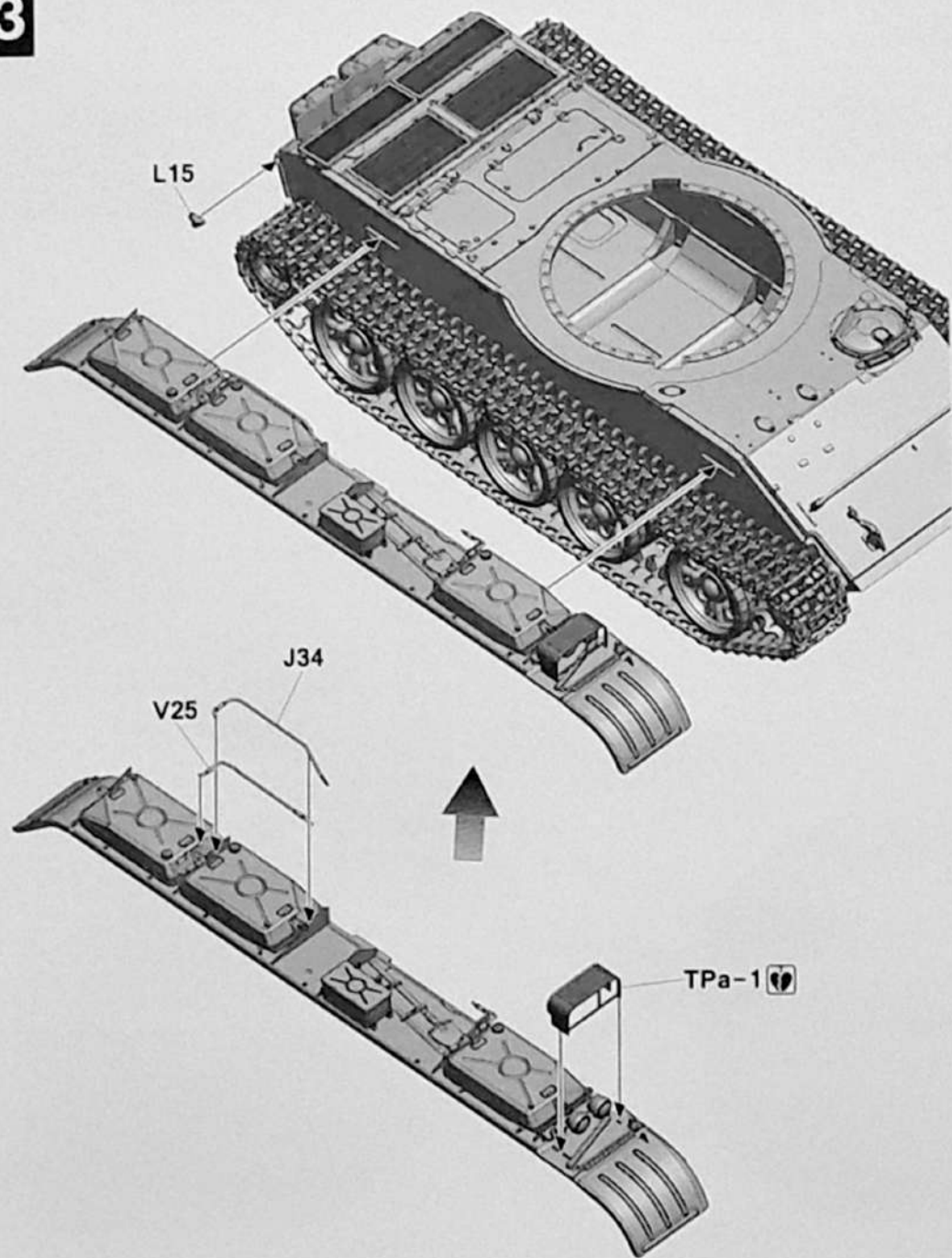
11



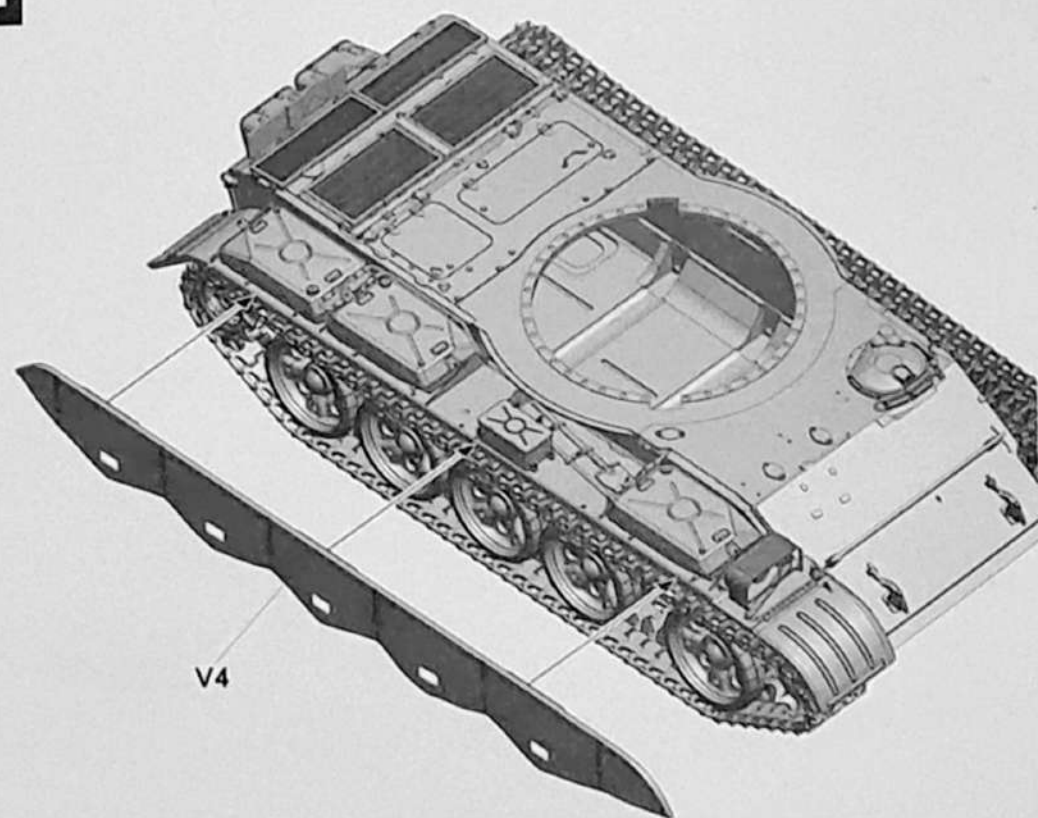
12



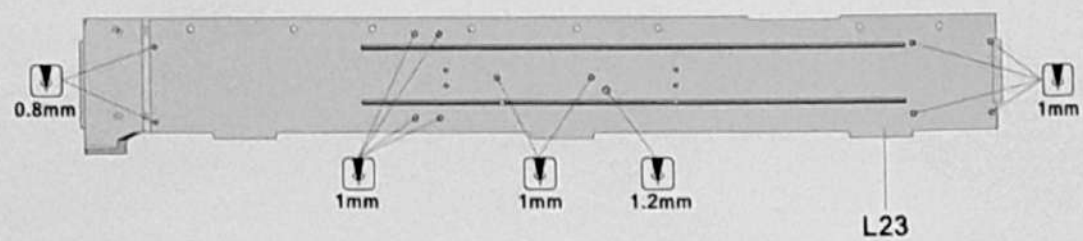
13

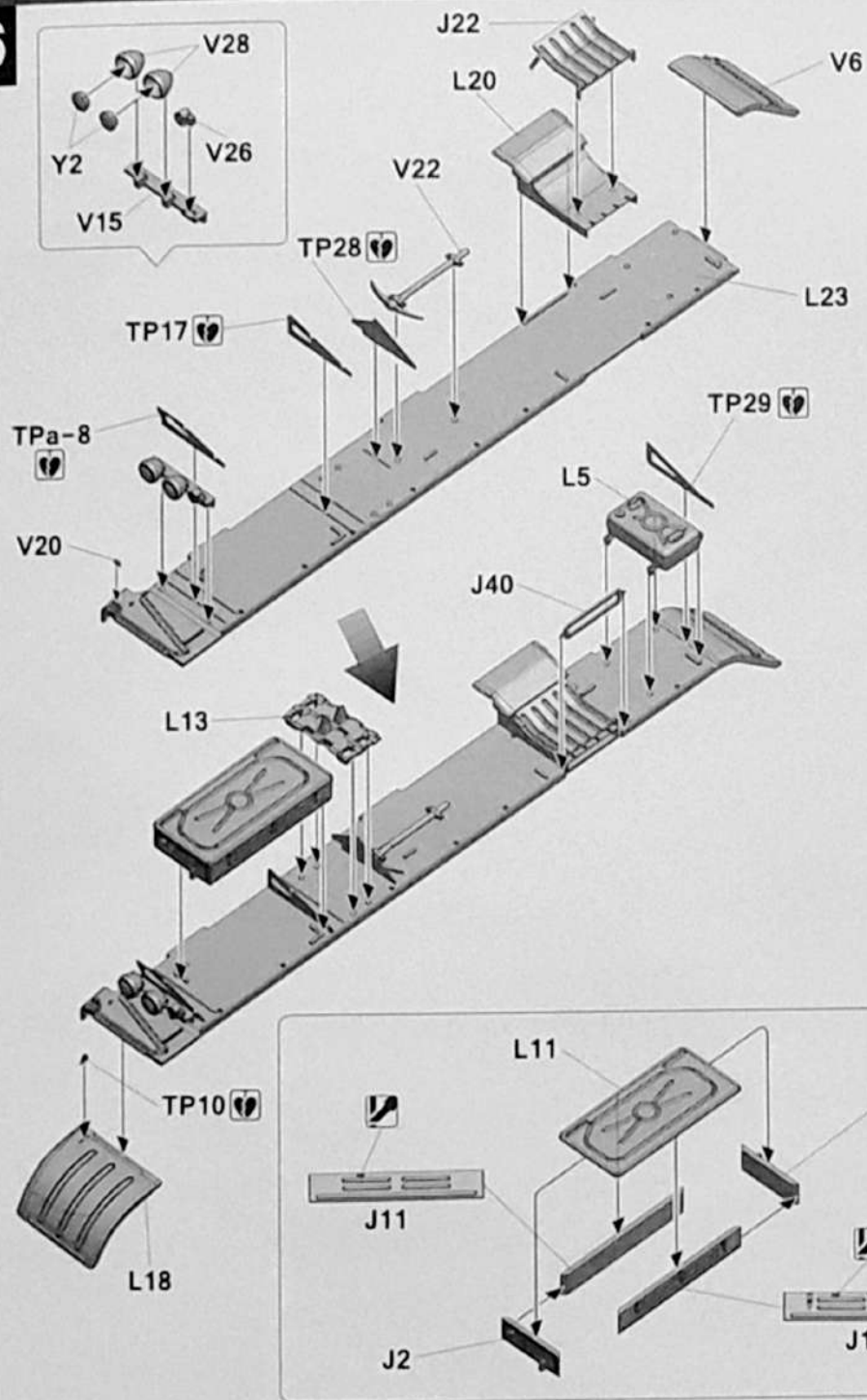
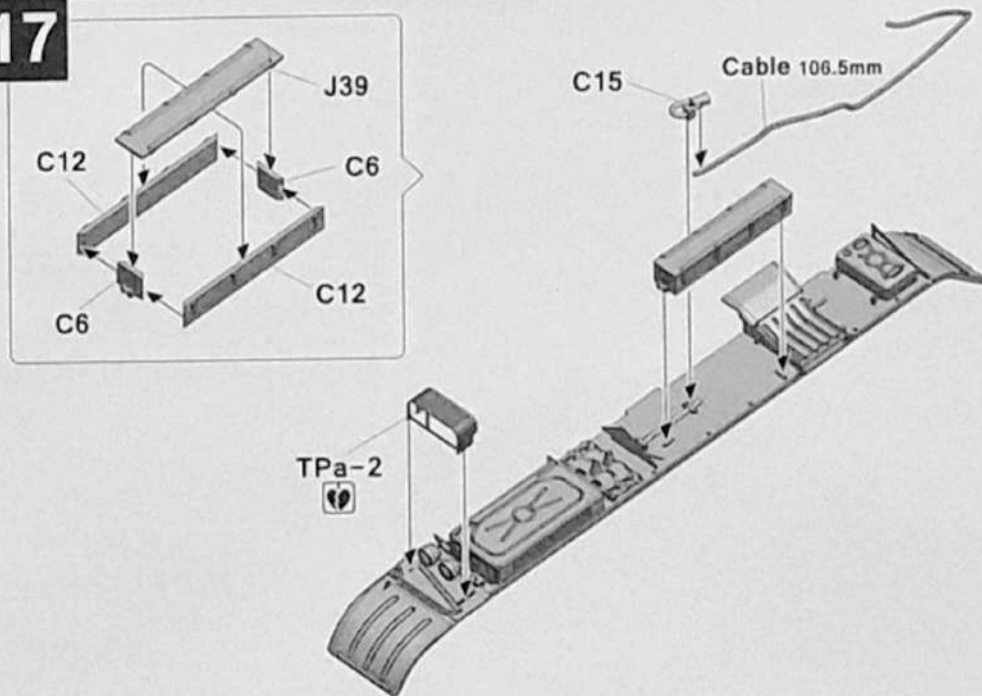
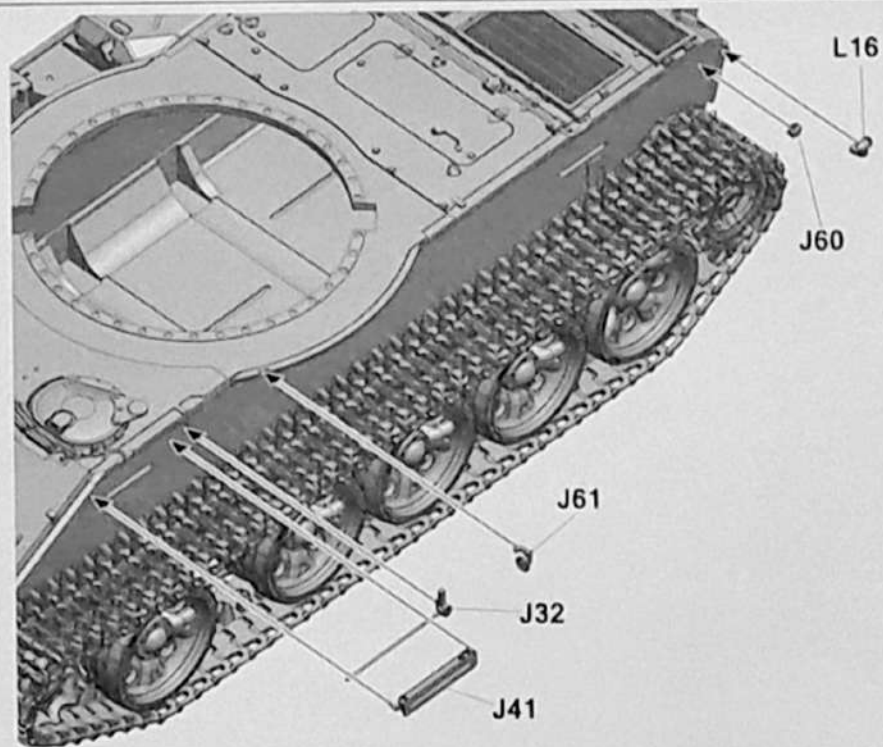


14

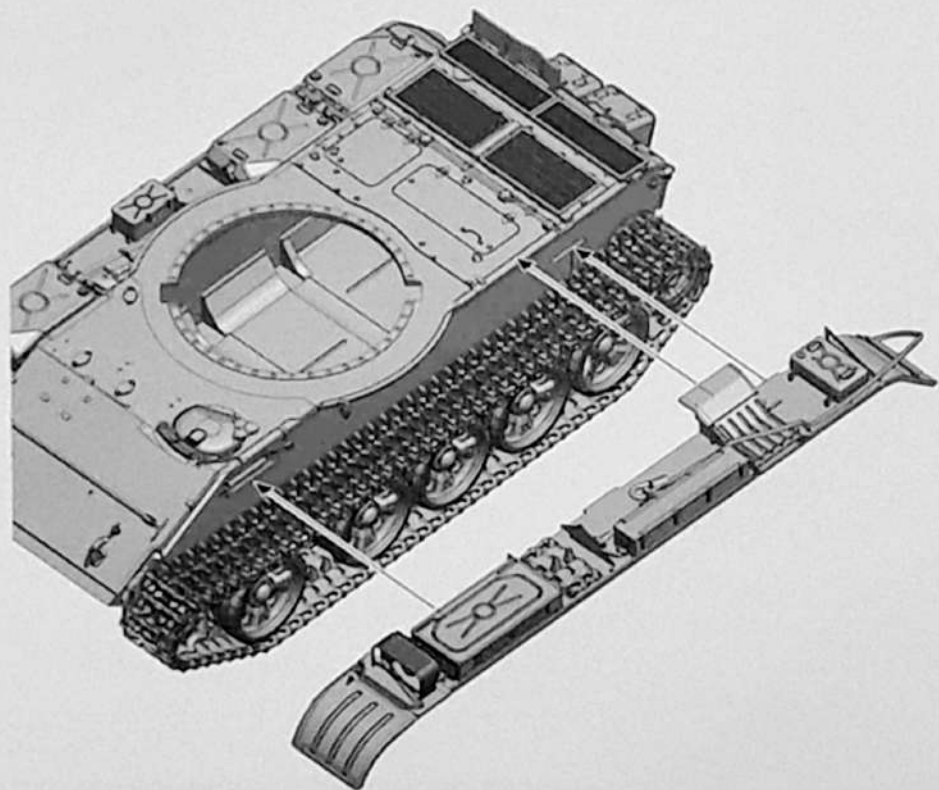


15

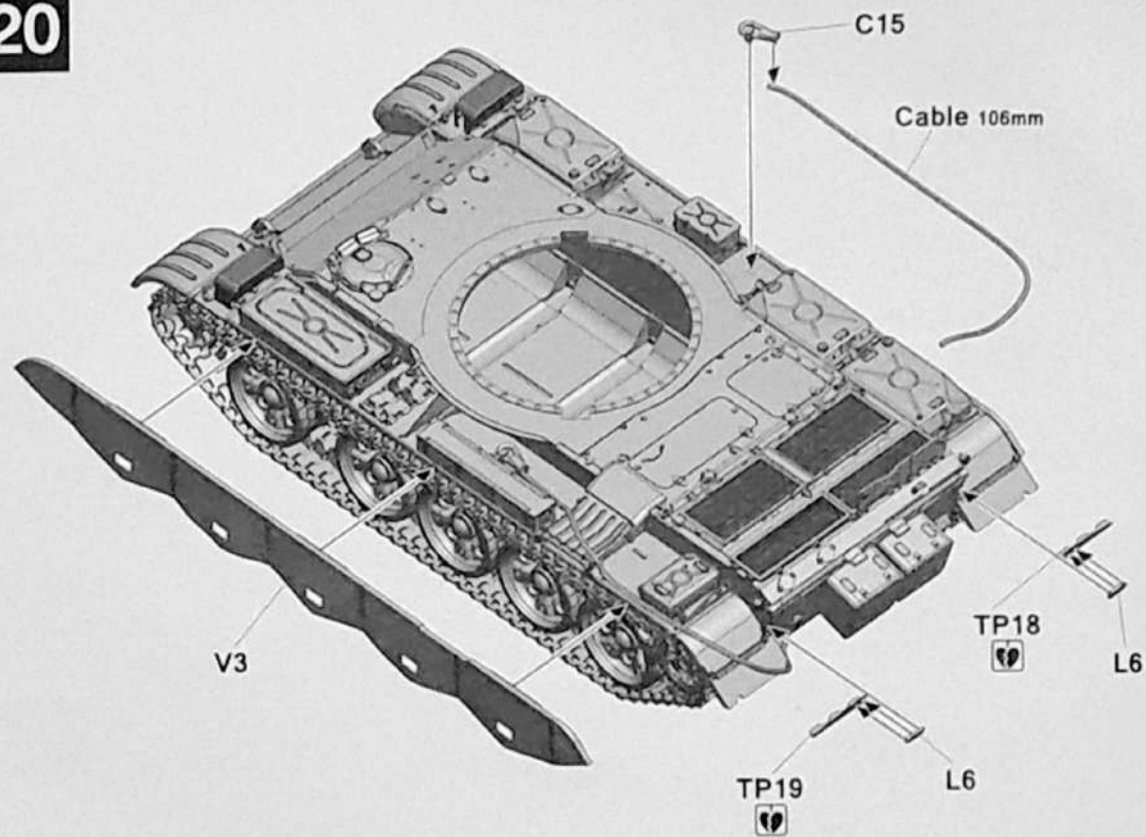


16**17****18**

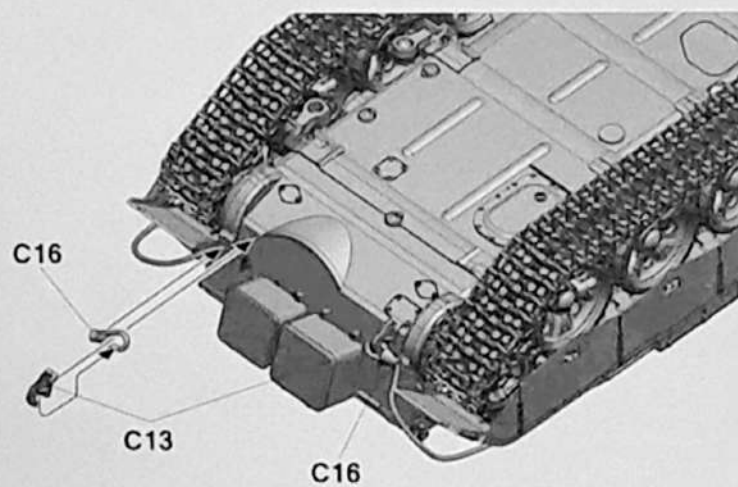
19

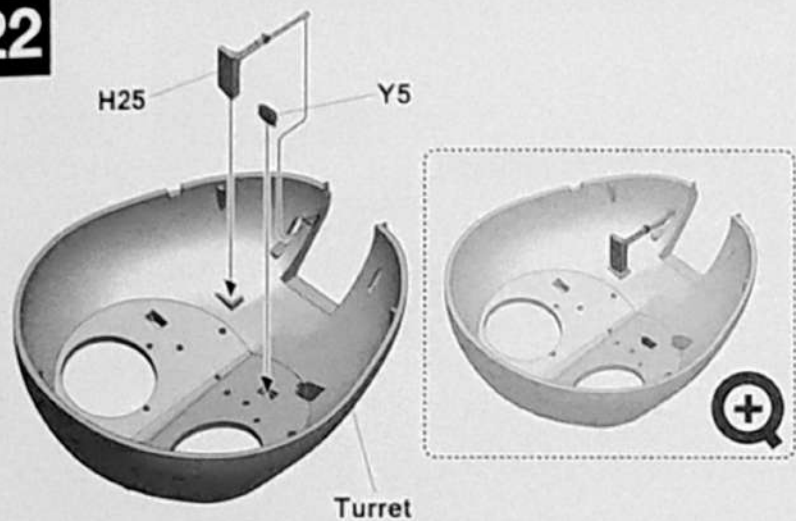
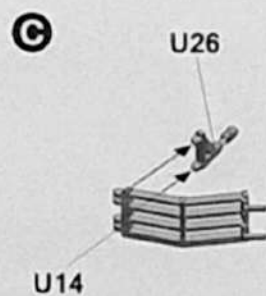
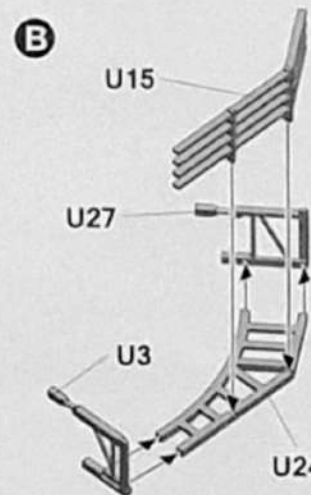
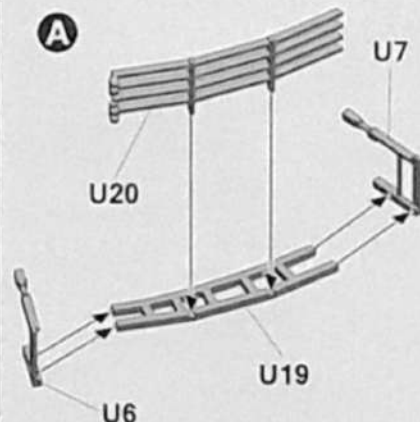
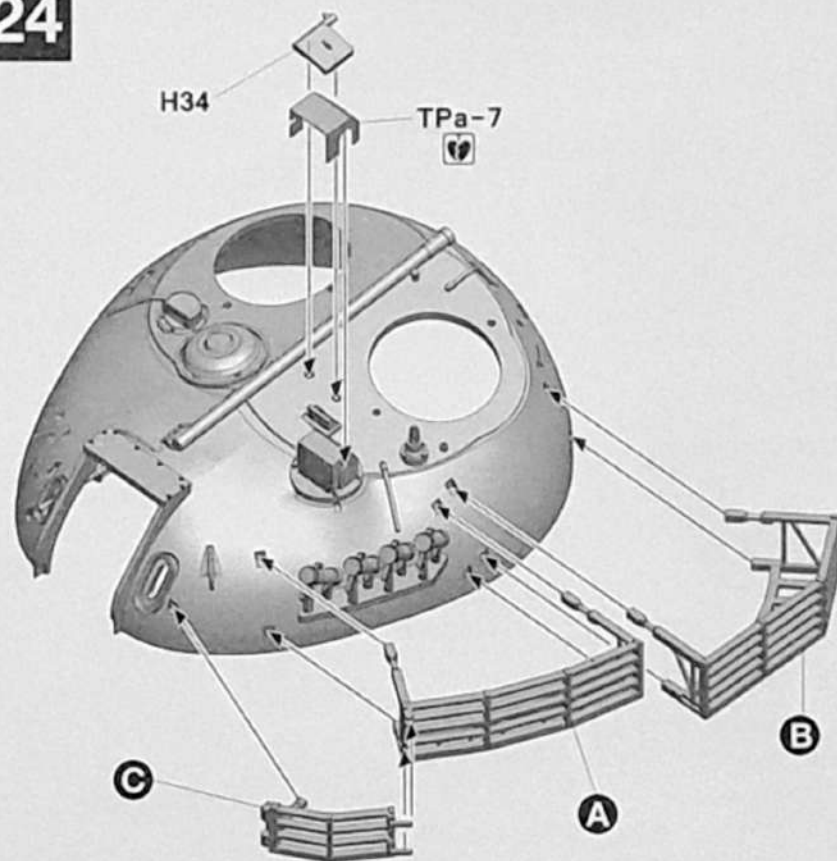
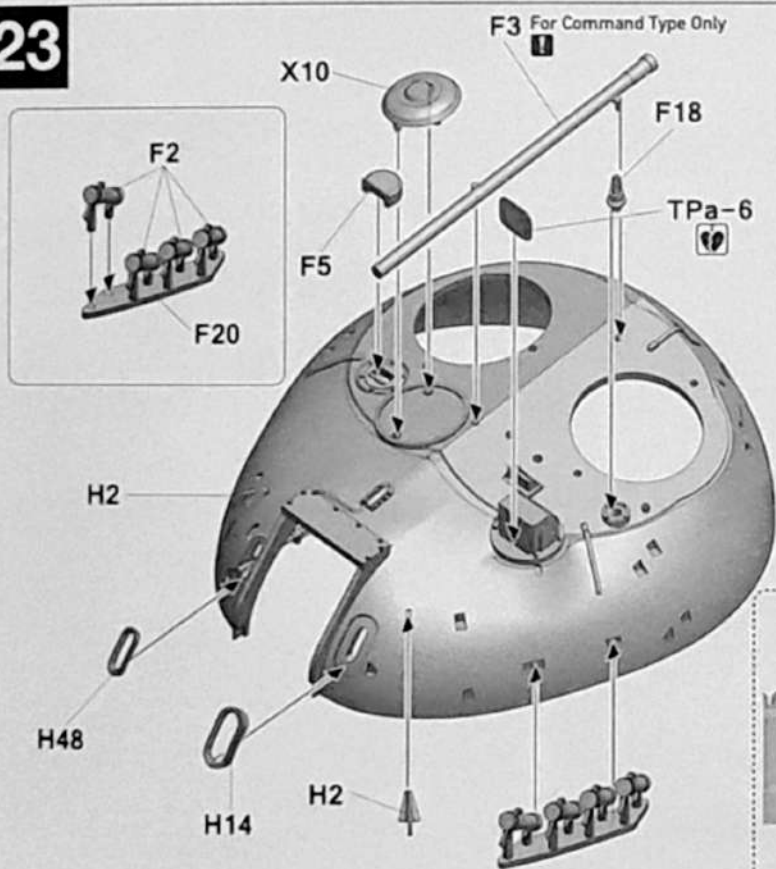
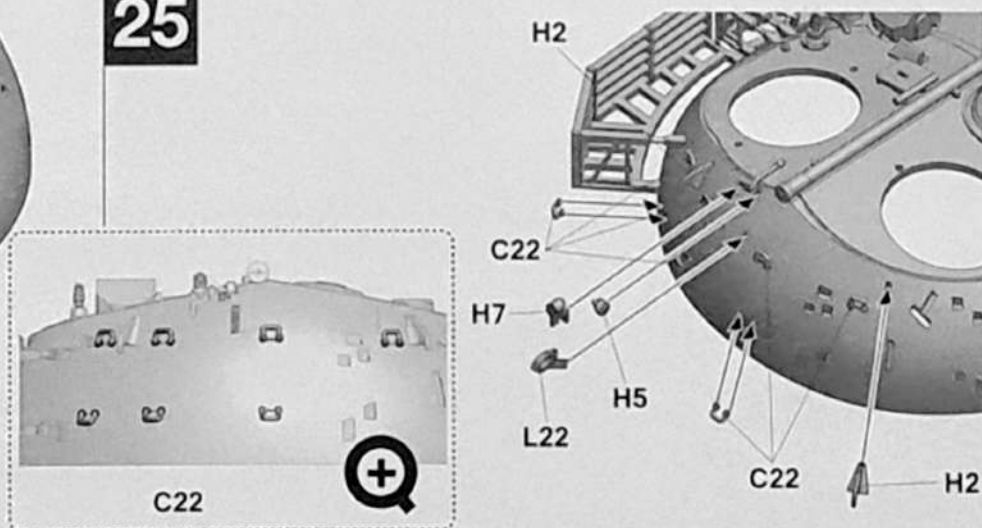


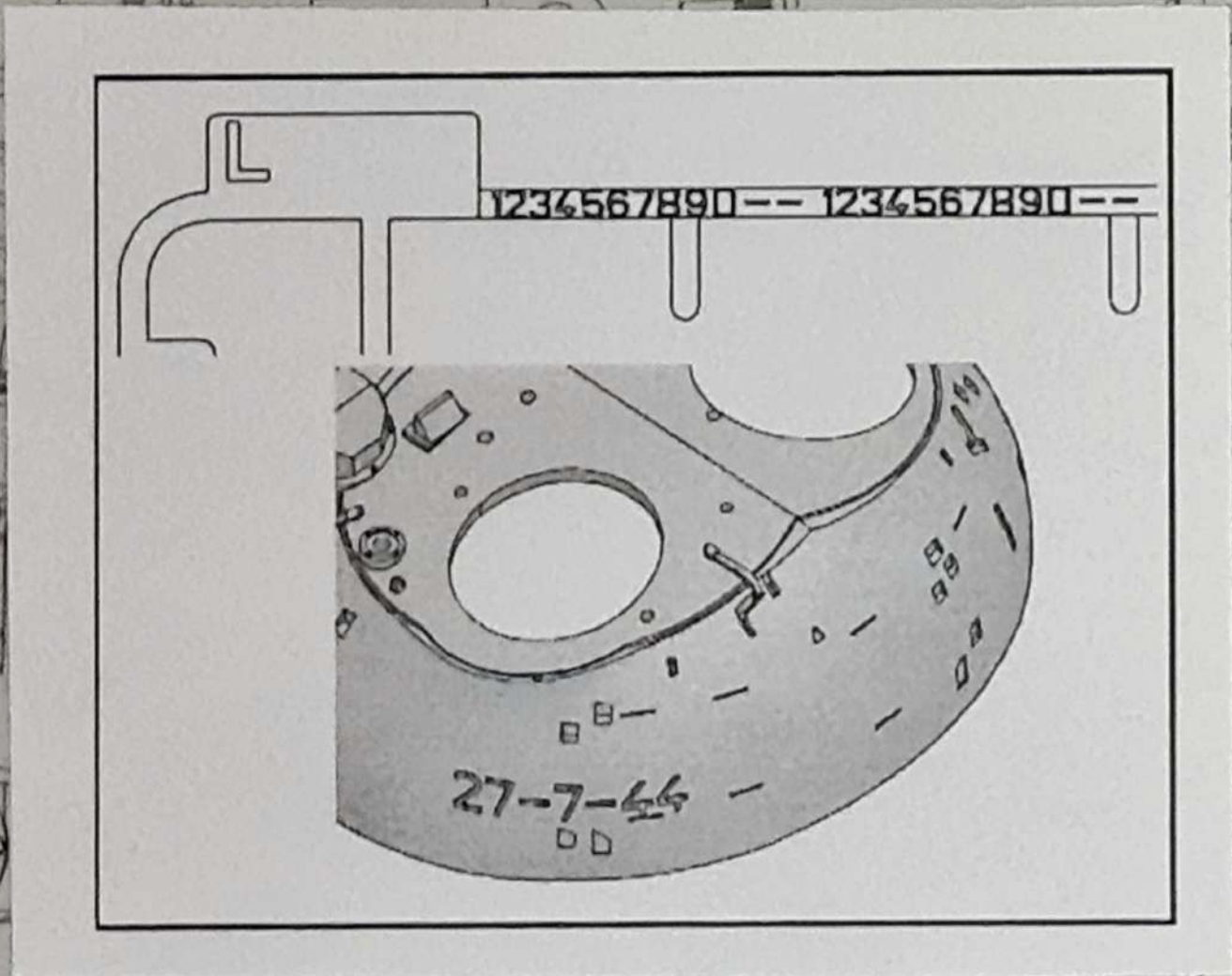
20

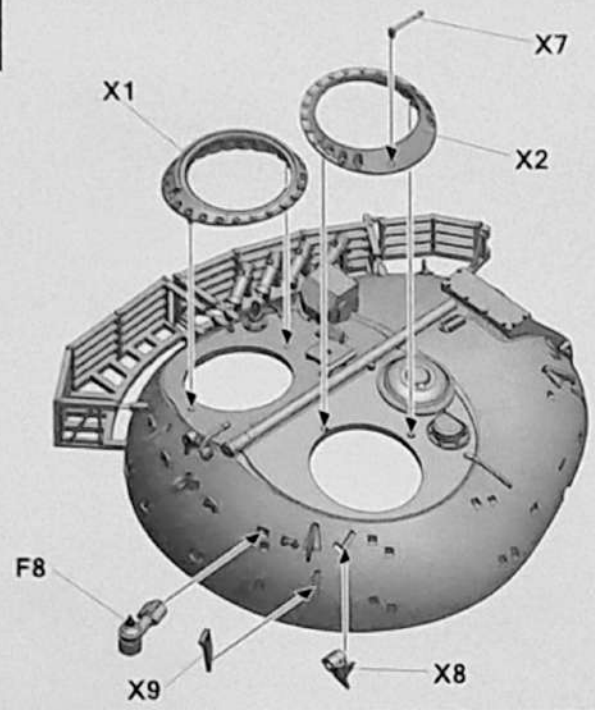
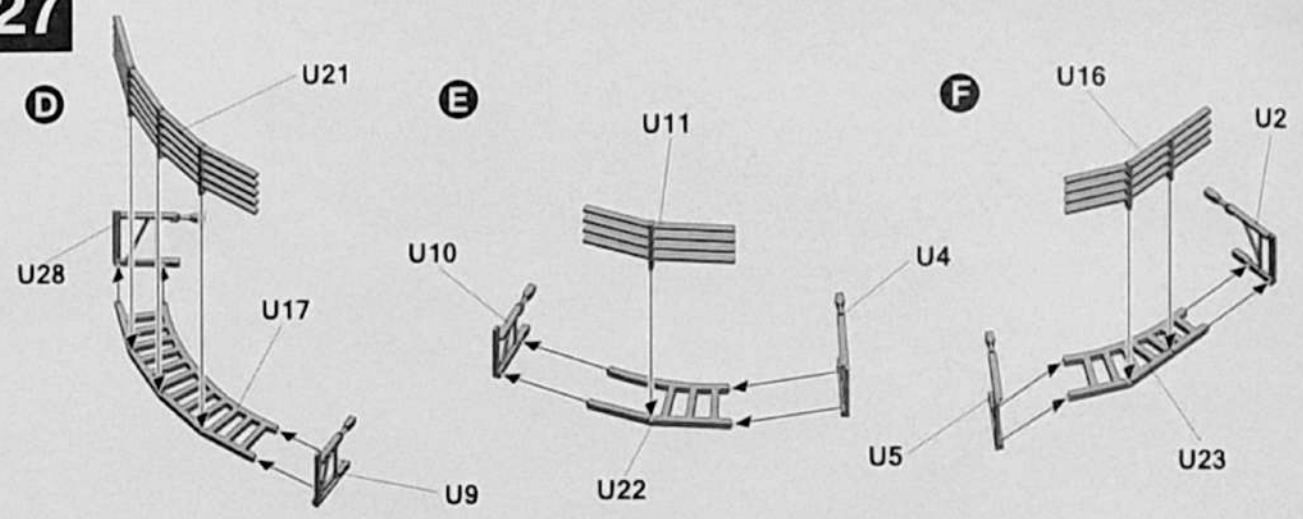
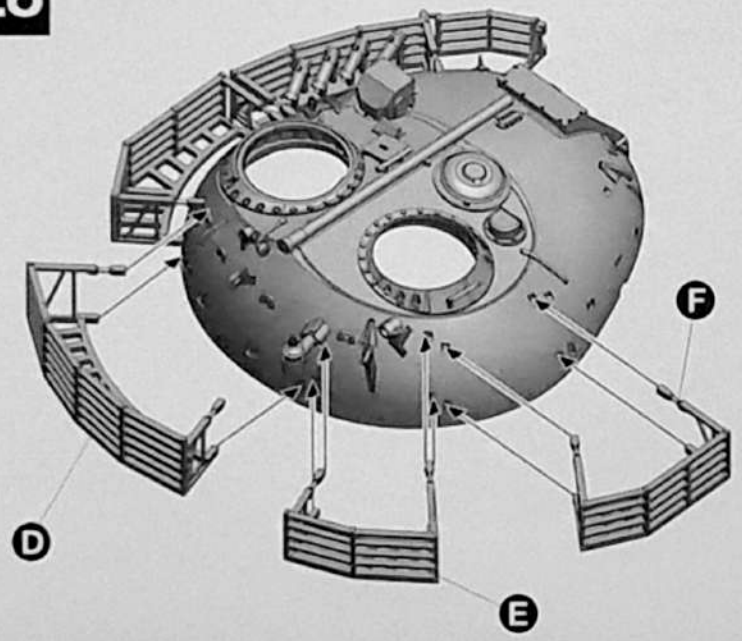
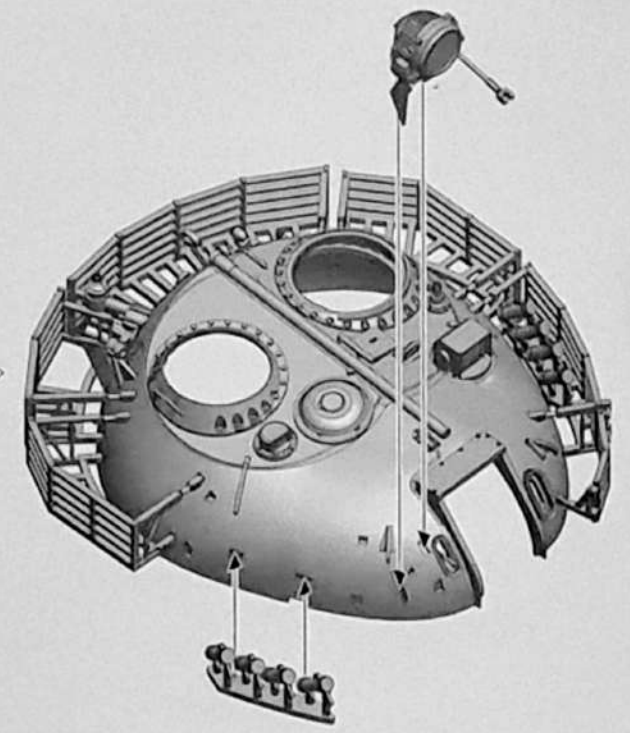
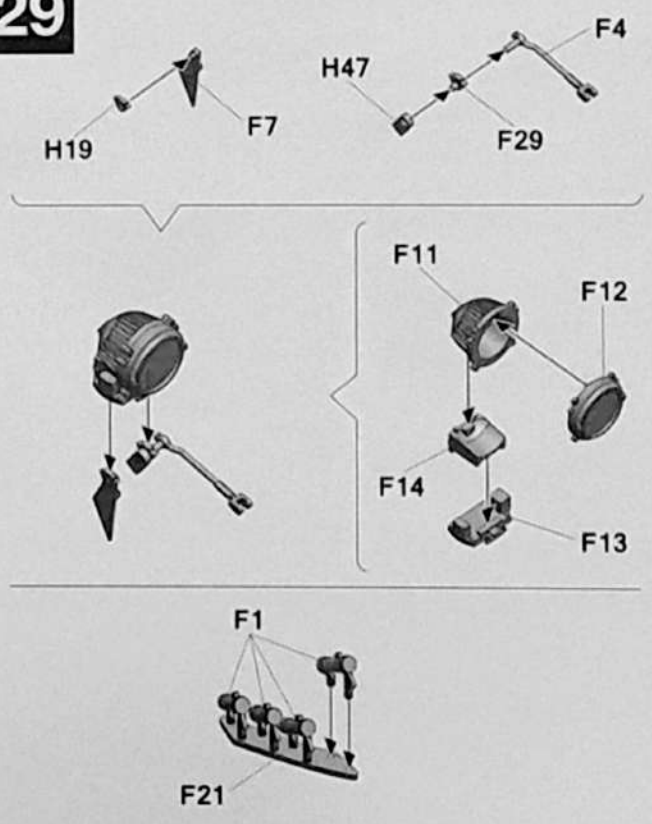


21

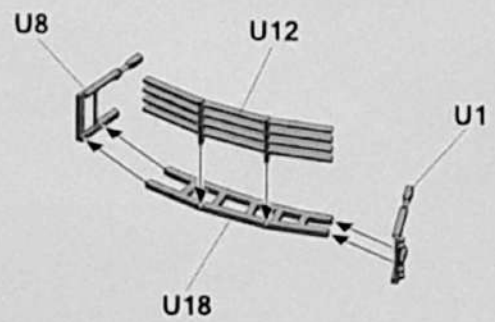
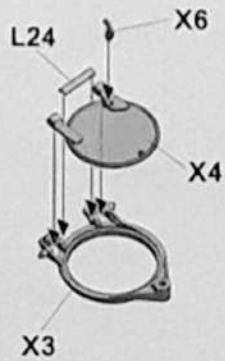
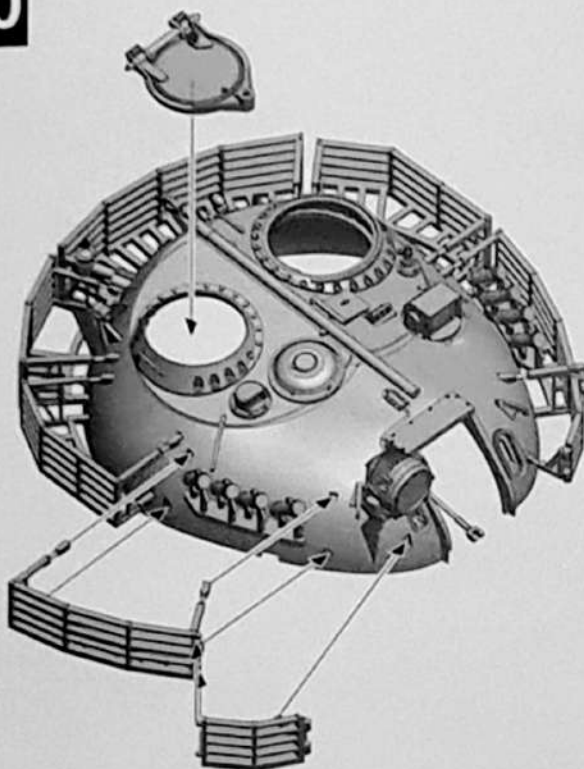


22**24****23****25**

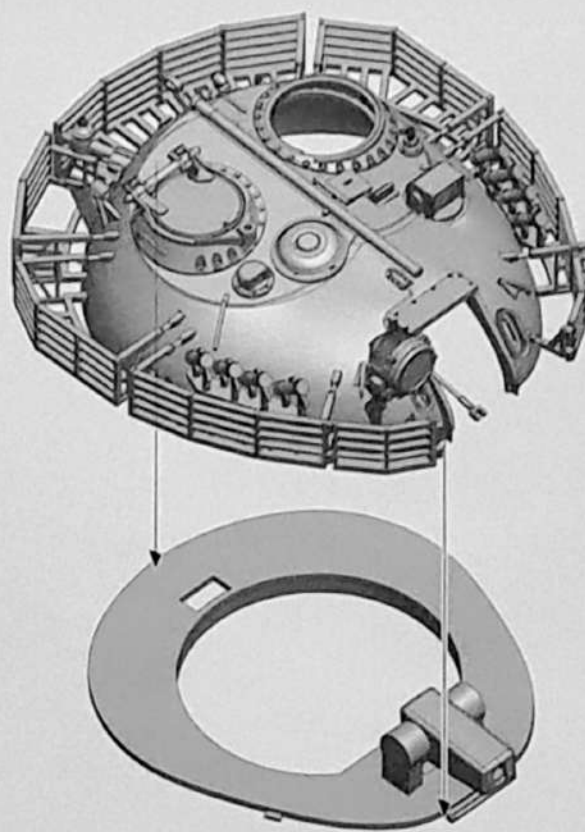


26**27****28****29**

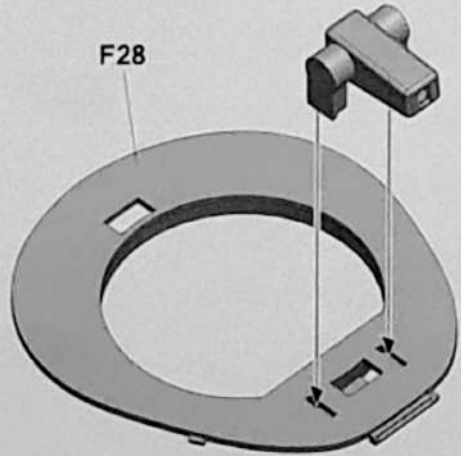
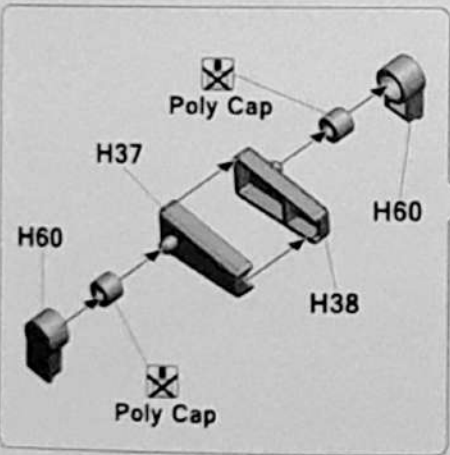
30



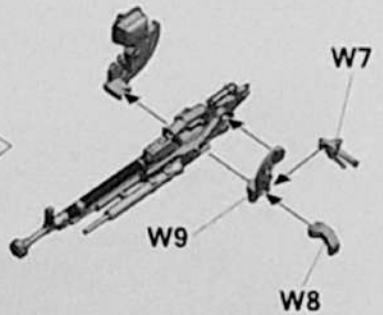
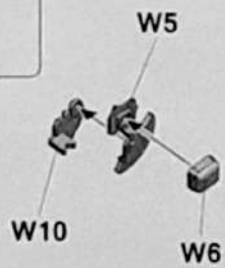
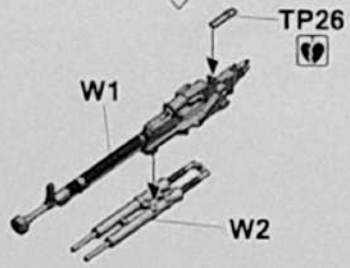
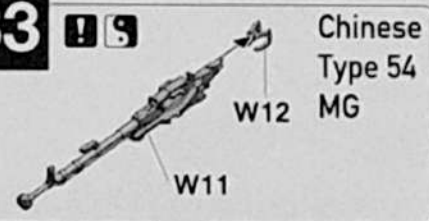
32

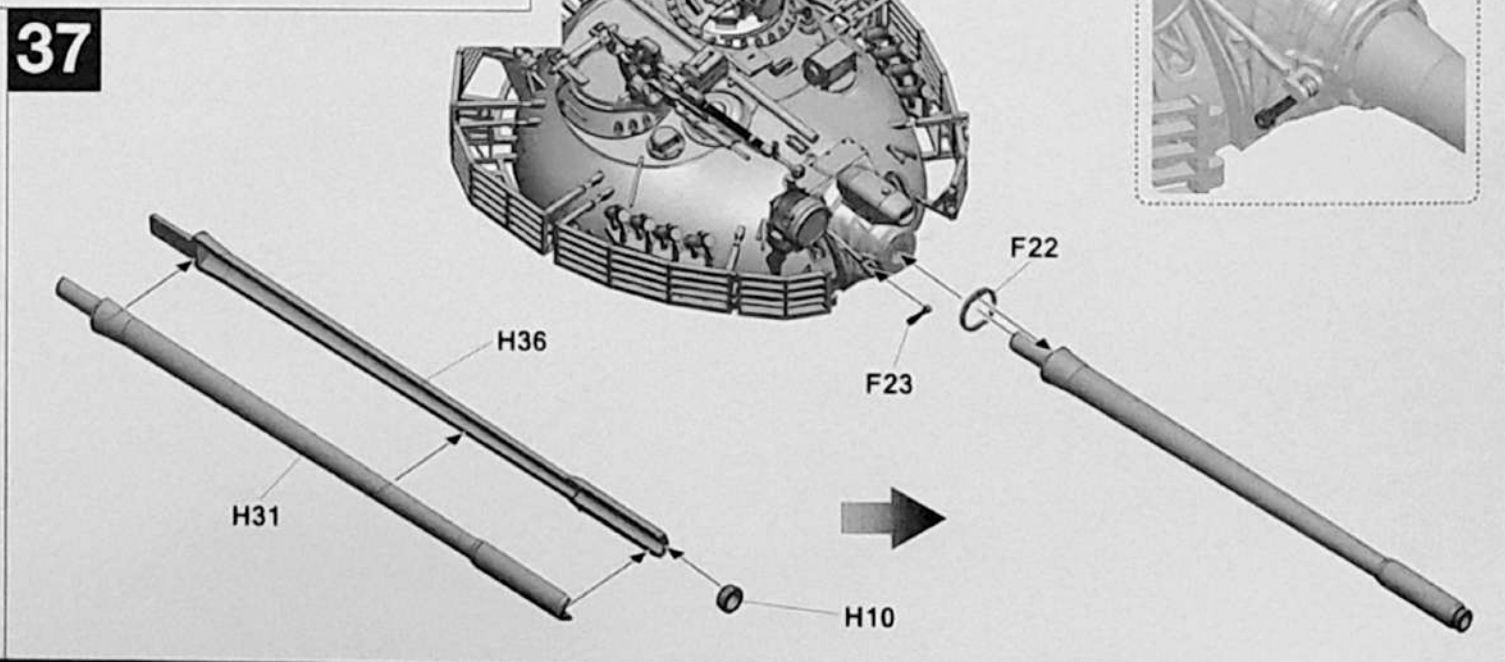
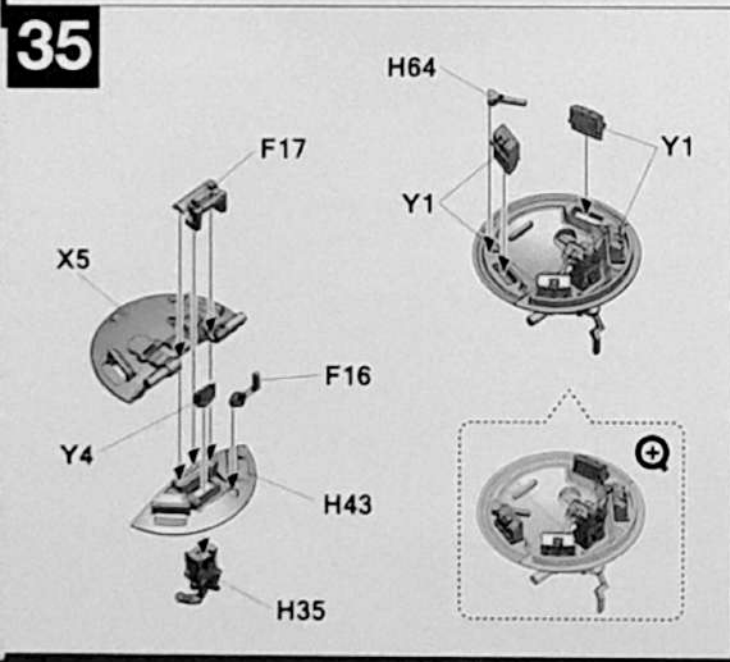
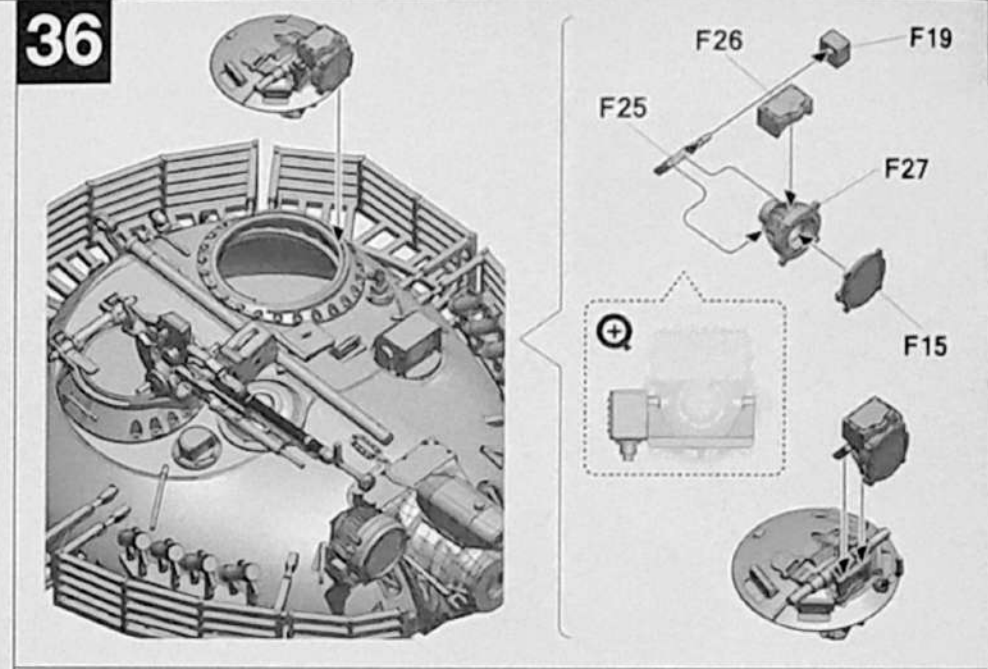
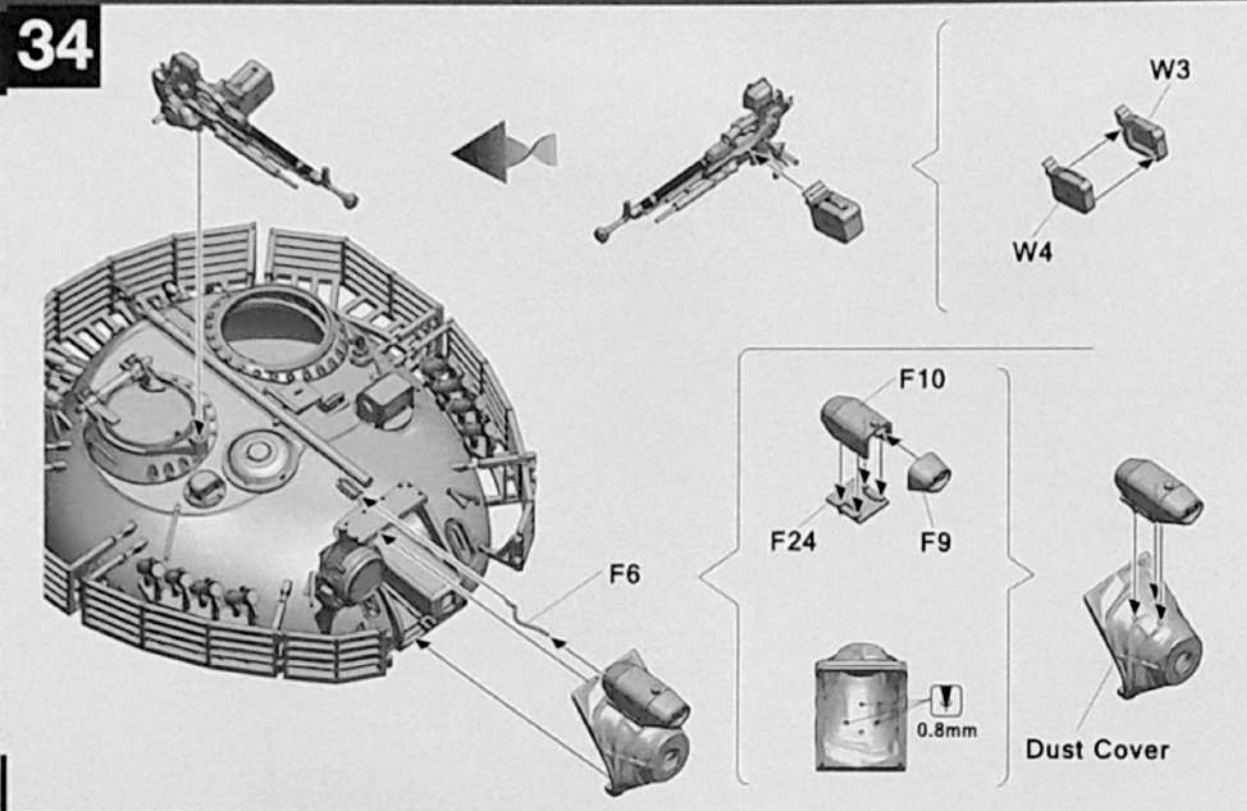


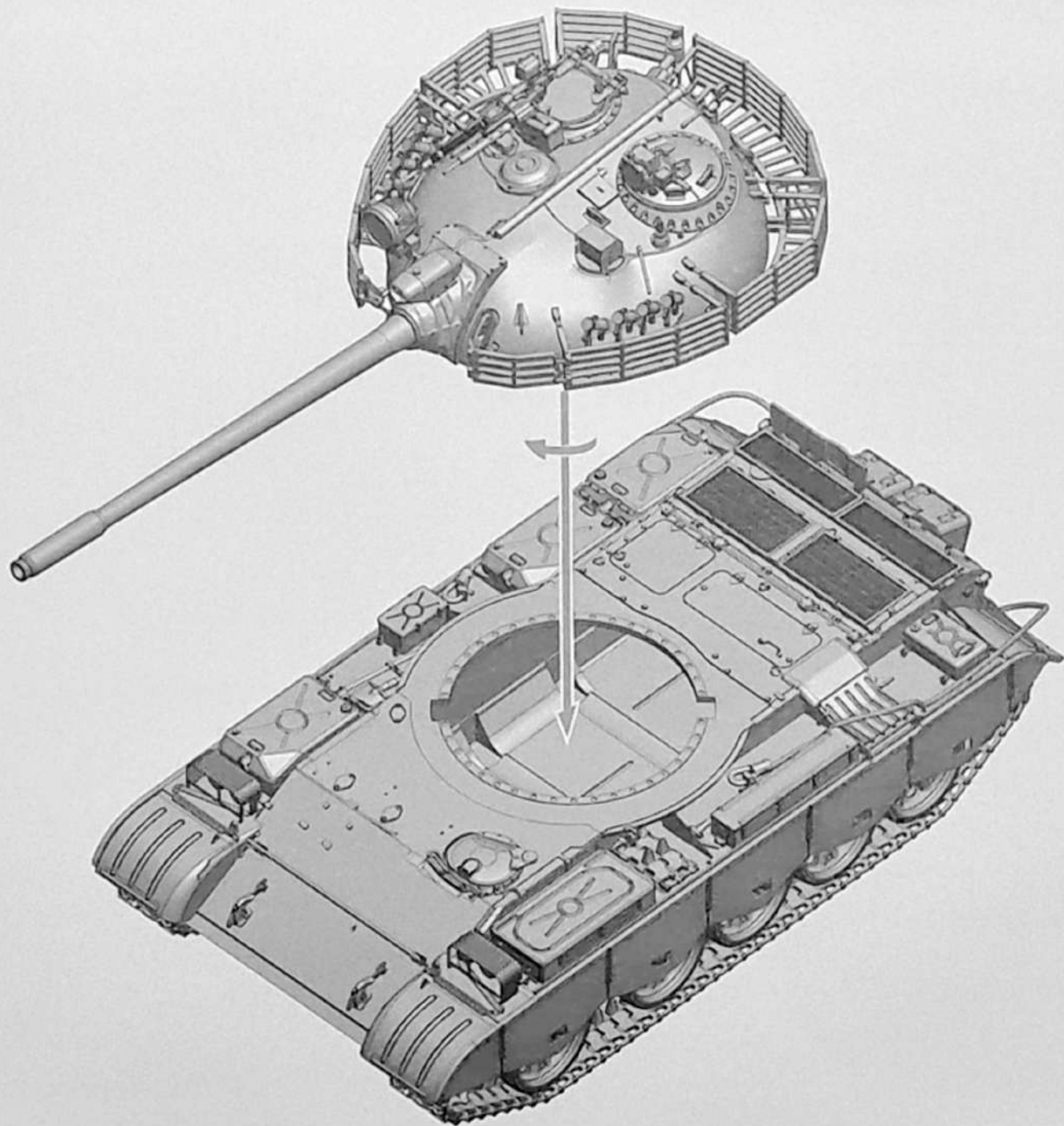
31



33







03.03.2054



TYPE 69-11C

Color info and profiles by



Painting and Marking Guide

A.MIG 033

Rubber & Tires

A.MIG 035

Dark Tracks

A.MIG 045

Gun Metal

A.MIG 095

Crystal Smoke

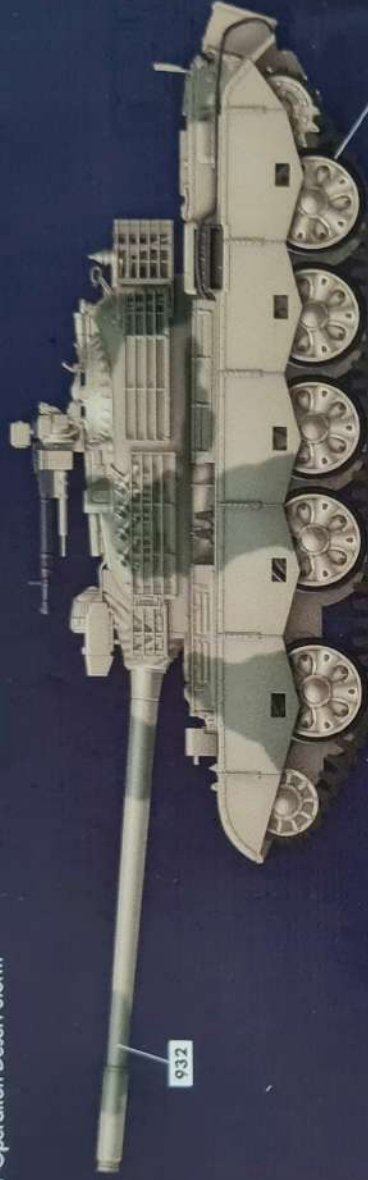
A.MIG 029

Desert Sand

A.MIG 932

Rustium Base

Iraqi Army, 1991 Operation Desert Storm



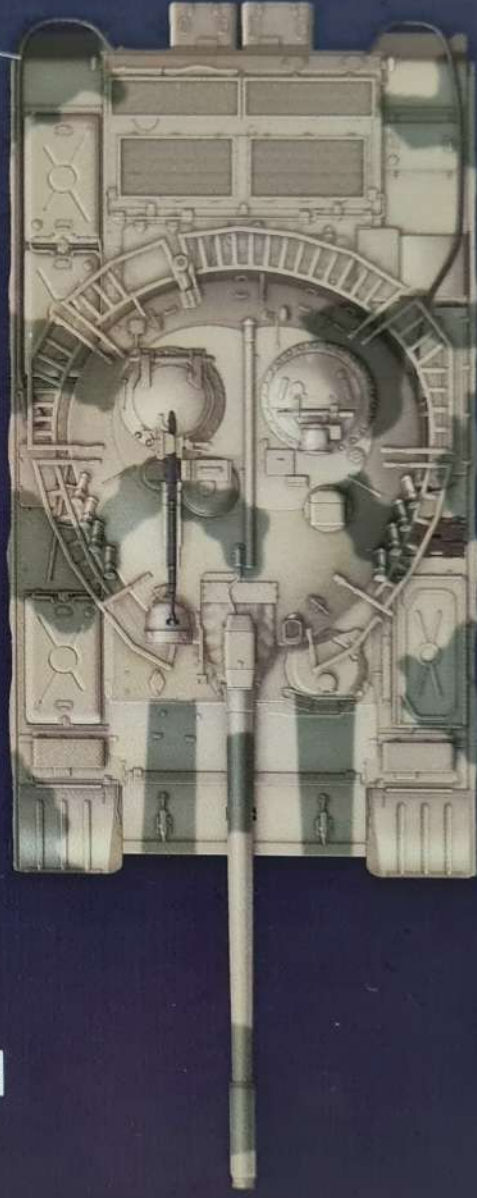
932

033



045

029

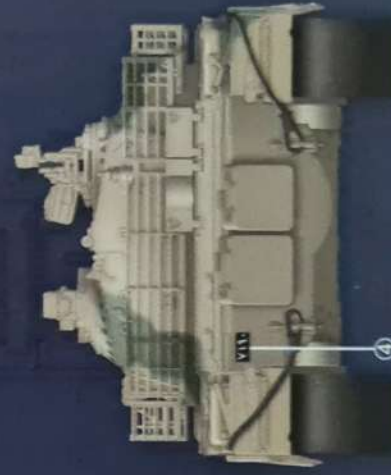


045



095

035



045

TAKOM

Iraqi Medium Tank TYPE 69-II (2 IN 1). Ref: 2054

03.03.2054



TYPE 69-II

Color info and profiles by



Painting and Marking Guide

A.MIG 033

Rubber & Tires

A.MIG 035

Dark Tracks

A.MIG 038

Light Wood

A.MIG 045

Gun Metal

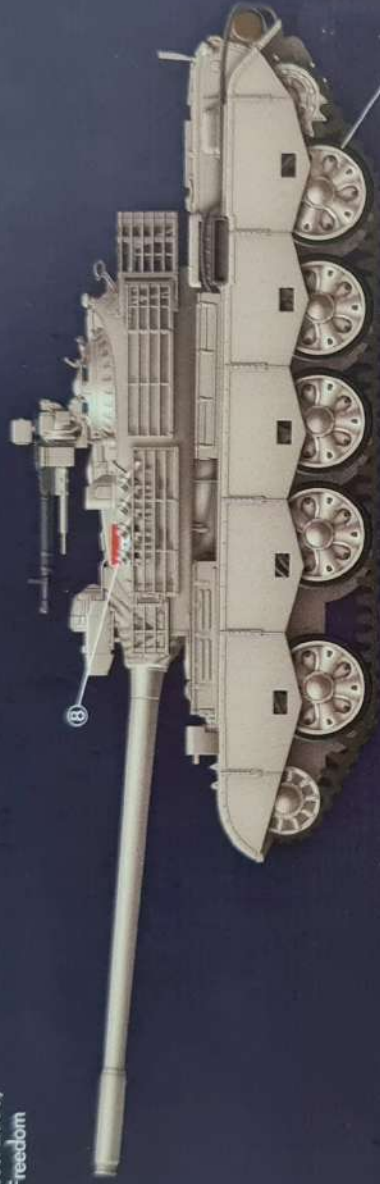
A.MIG 093

Crystal Smoke

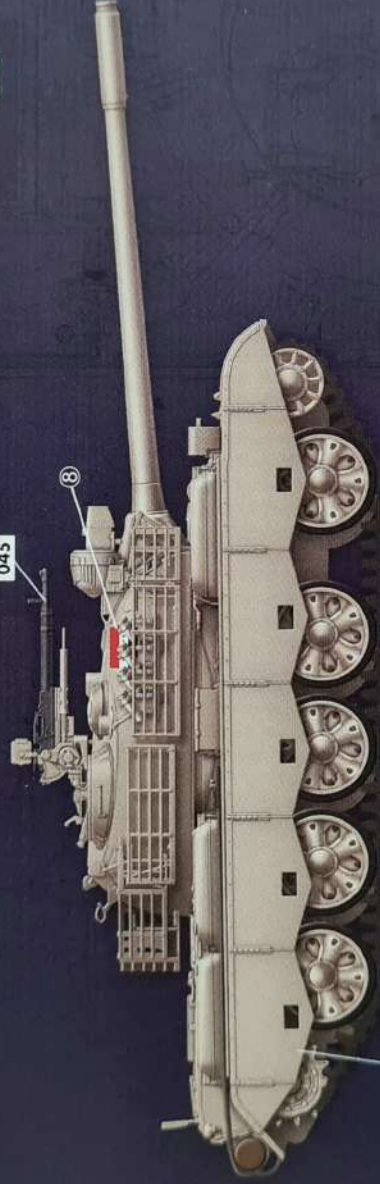
A.MIG 029

Desert Sand

New Iraq Army post 2003,
Operation Iraqi Freedom



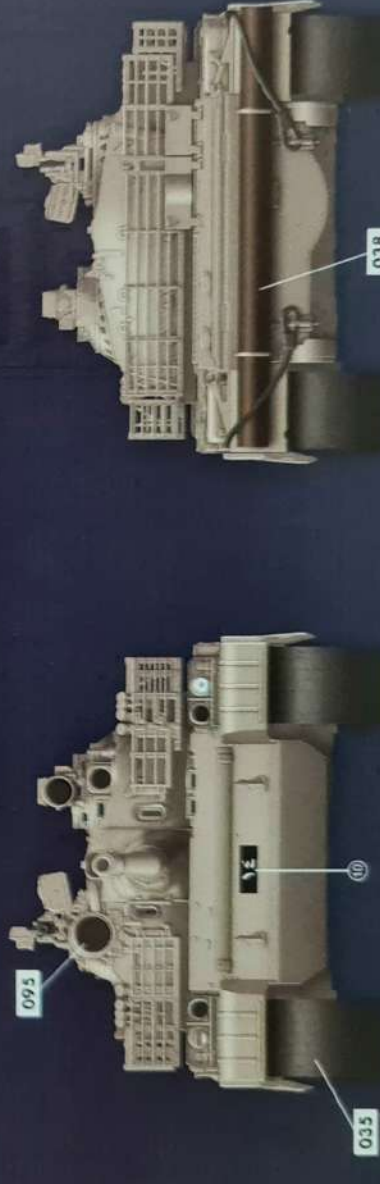
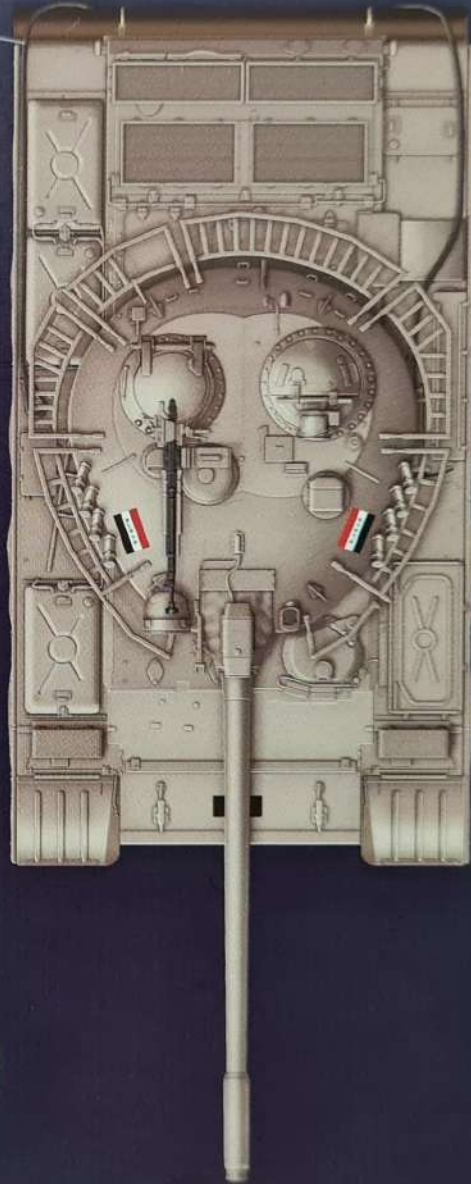
033



045

029

045



095

035

038

TAKOM

Iraqi Medium Tank TYPE 69-II (2 IN 1). Ref: 2054

03.03.2054



TYPE 69-II

Color info and profiles by



Painting and Marking Guide



A.MIG 033 Rubber & Tires



A.MIG 035 Dark Tracks



A.MIG 038 Light Wood



A.MIG 045 Gun Metal



A.MIG 093 Crystal Smoke



A.MIG 029 Desert Sand

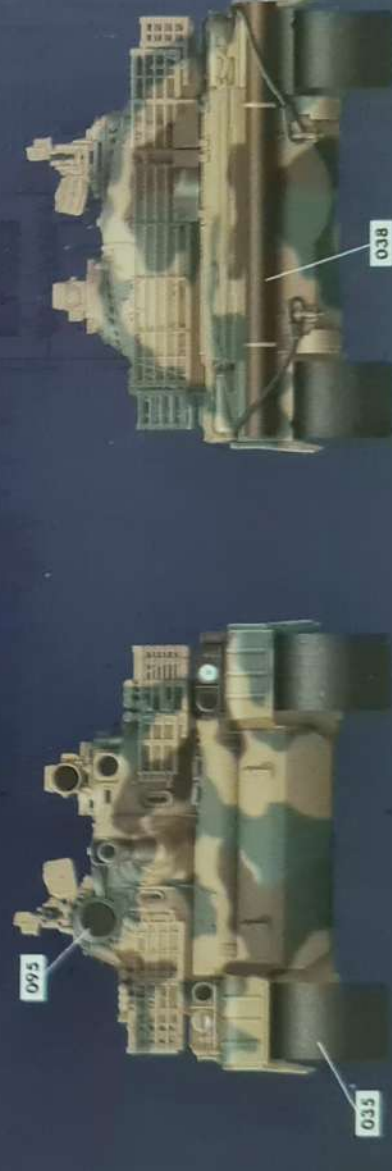
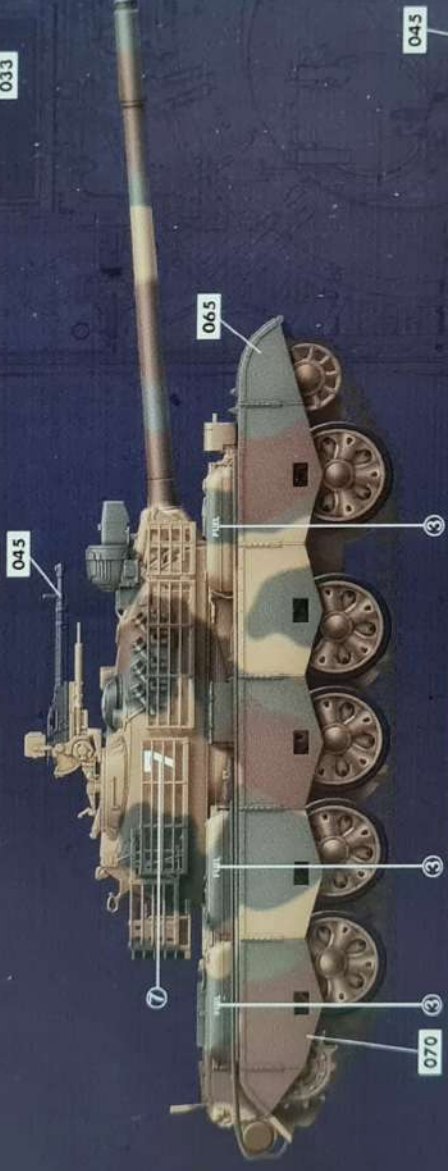


A.MIG 065 Forest Green



A.MIG 070 Medium Brown

Royal Thai Army



03.03.2054



TYPE 69-II

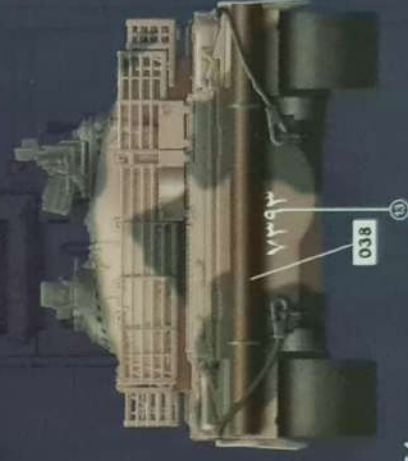
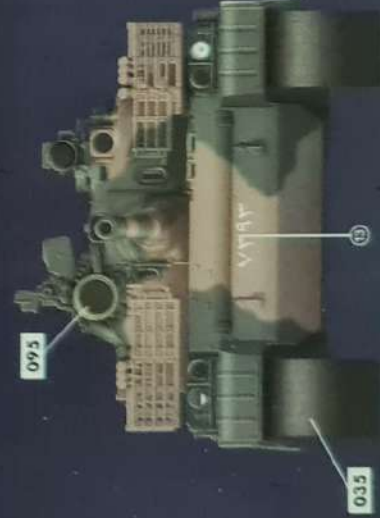
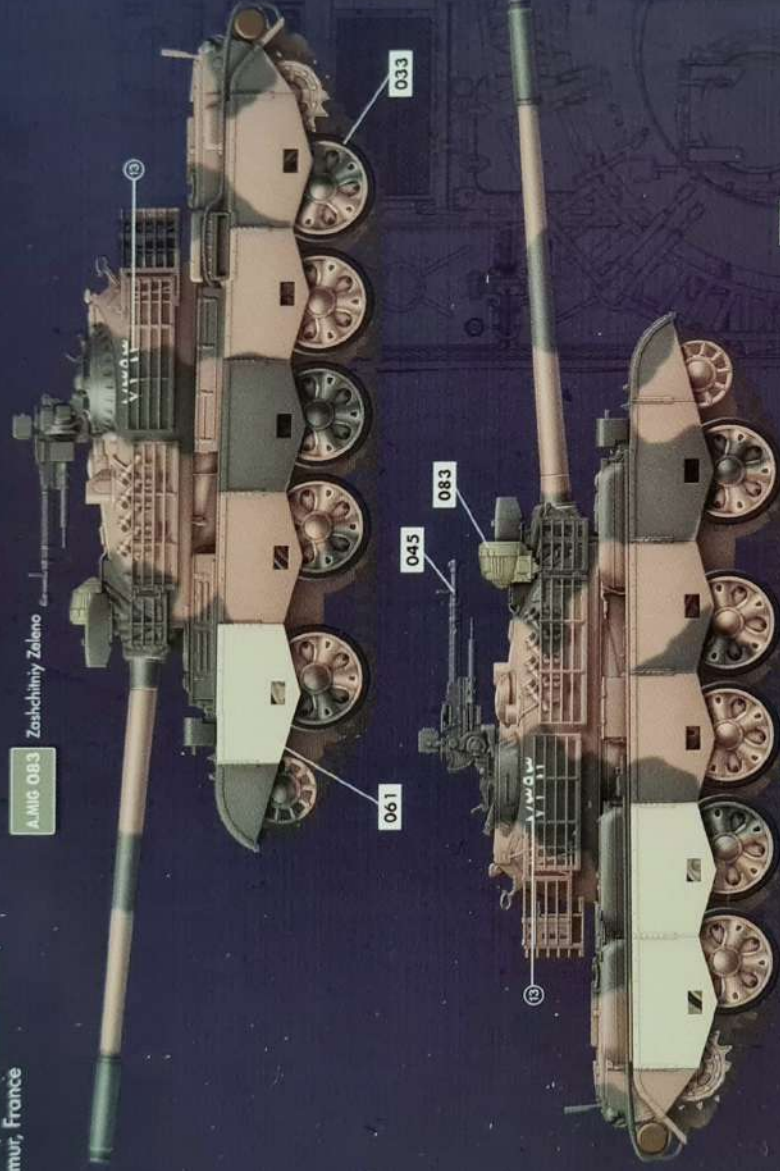
Color info and profiles by



Painting and Marking Guide

Iraqi Army, 1991 Operation Desert Storm, preserved at Saumur, France

- A.MIG 033 Rubber & Tires
- A.MIG 035 Dark Tracks
- A.MIG 038 Light Wood
- A.MIG 045 Gun Metal
- A.MIG 095 Crystal Smoke
- A.MIG 026 German Sand Brown
- A.MIG 061 Warm Sand Yellow
- A.MIG 069 Blue Green
- A.MIG 083 Zashchitny Zeleno



TAKOM

Iraqi Medium Tank TYPE 69-II (2 IN 1). Ref: 2054

03.03.2054



TYPE 69-II C

Color info and profiles by



Painting and Marking Guide

AMMO 033 Rubber & Tires

AMMO 035 Dark Tracks

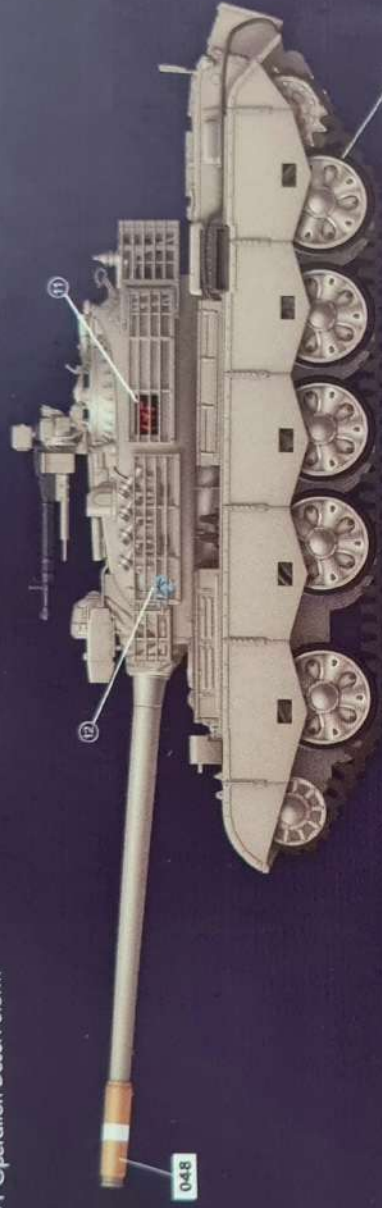
AMMO 045 Gun Metal

AMMO 095 Crystal Smoke

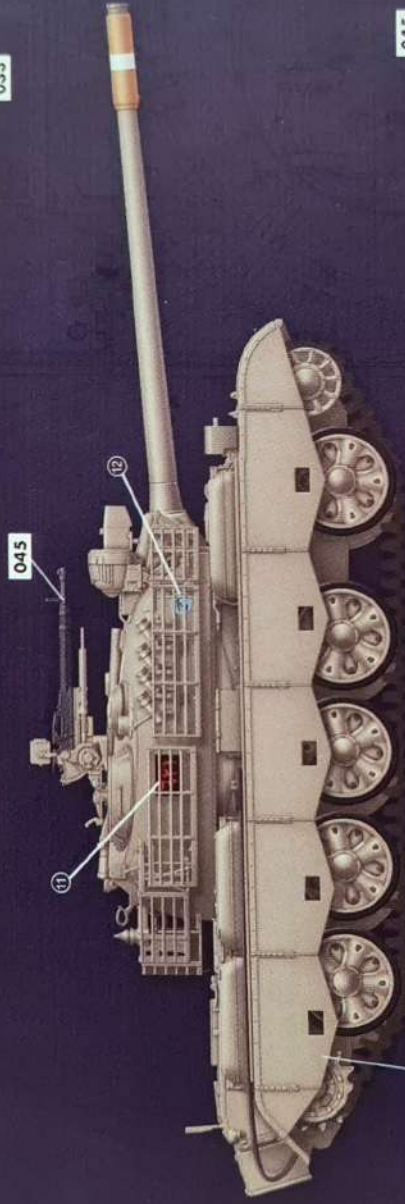
AMMO 029 Desert Sand

AMMO 048 Yellow

Iraqi Army, 1991 Operation Desert Storm

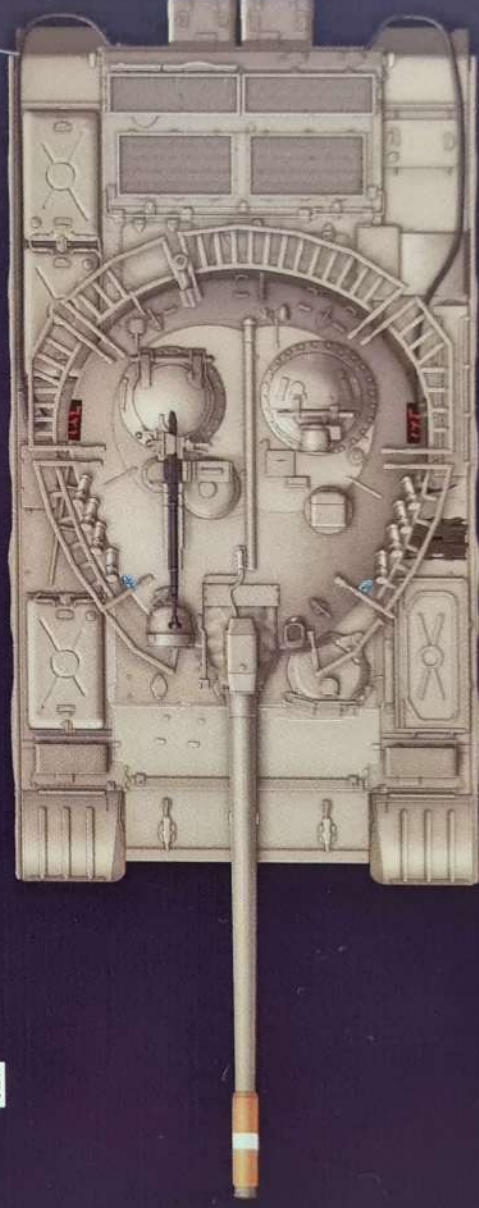


033

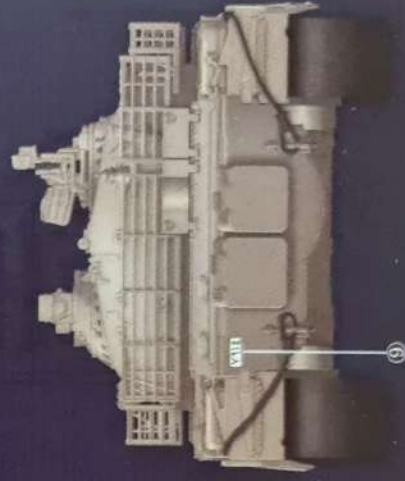


029

045



095



035

TAKOM

Iraqi Medium Tank TYPE 69-II (2 IN 1). Ref: 2054

03.03.2054



TYPE 69-II

Color info and profiles by



Painting and Marking Guide

A.MIG 033

Rubber & Tires

A.MIG 035

Dark Tracks

A.MIG 038

Light Wood

A.MIG 043

Gun Metal

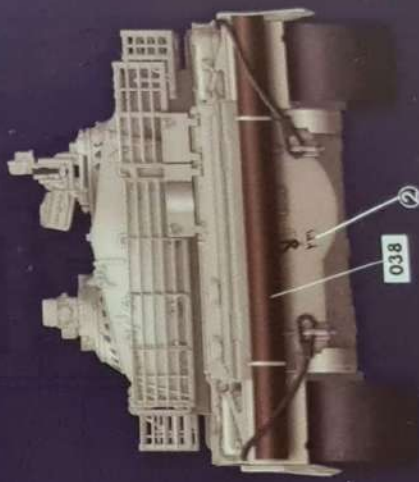
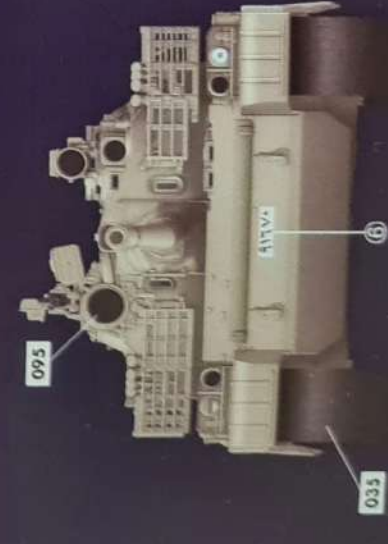
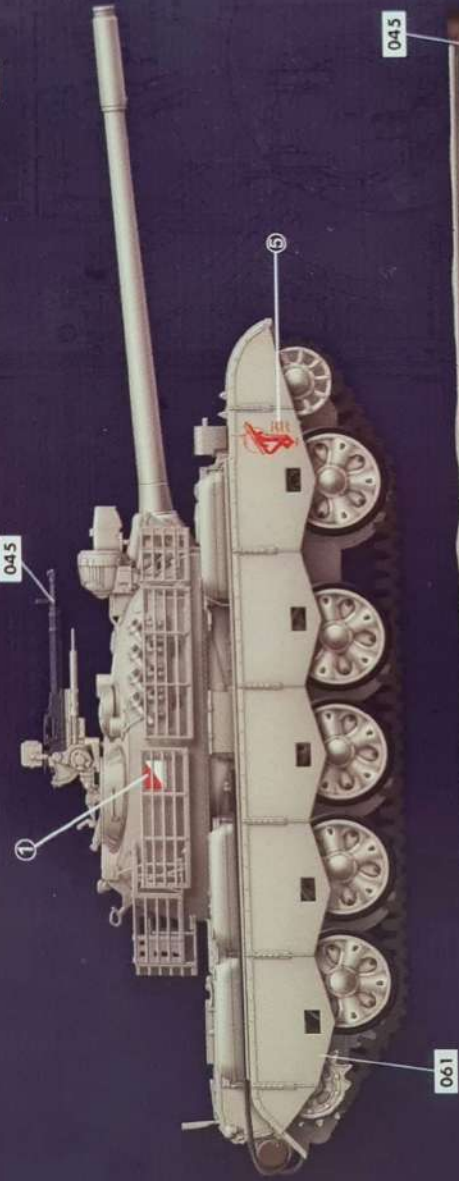
A.MIG 095

Crystal Smoke

A.MIG 061

Warm Sand Yellow

Iranian IRGC tank captured from the Iraqi Army during the Iran-Iraq war, 1980-88.



TAKOM

Iraqi Medium Tank TYPE 69-II (2 IN 1) Ref. 2054