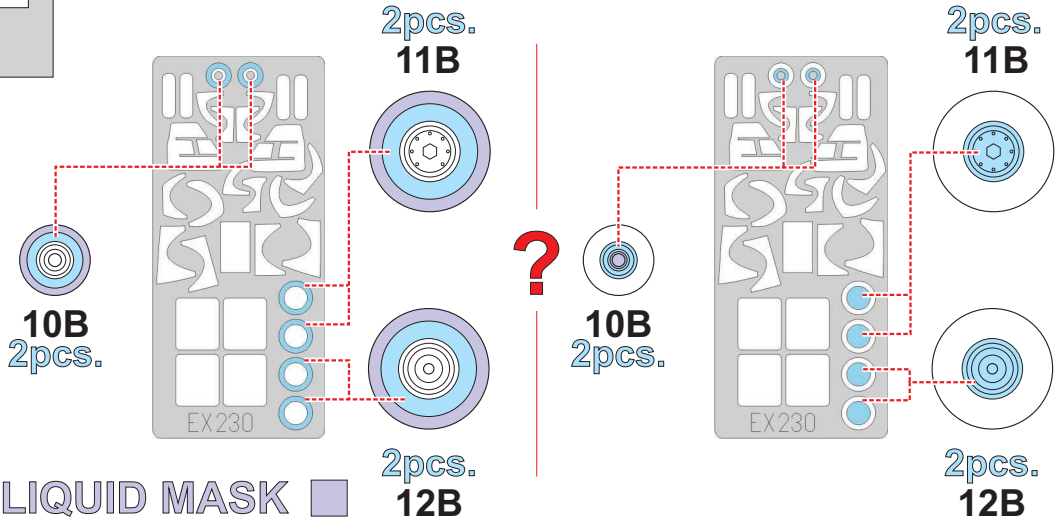
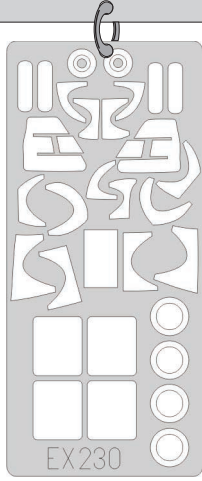


eduard
MASK

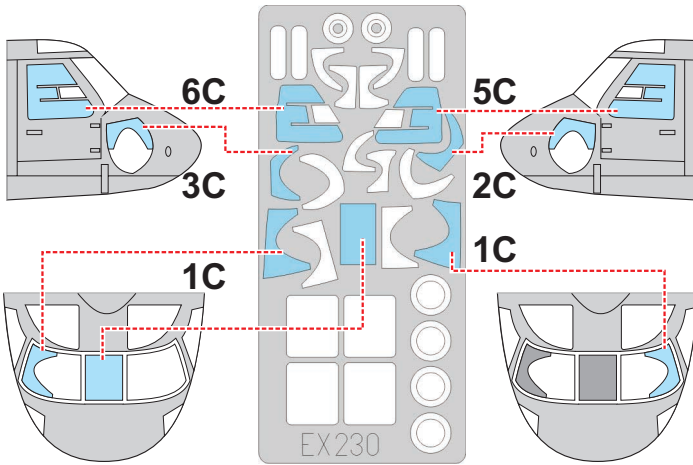
EX 230

MH-60G Pave Hawk 1/48

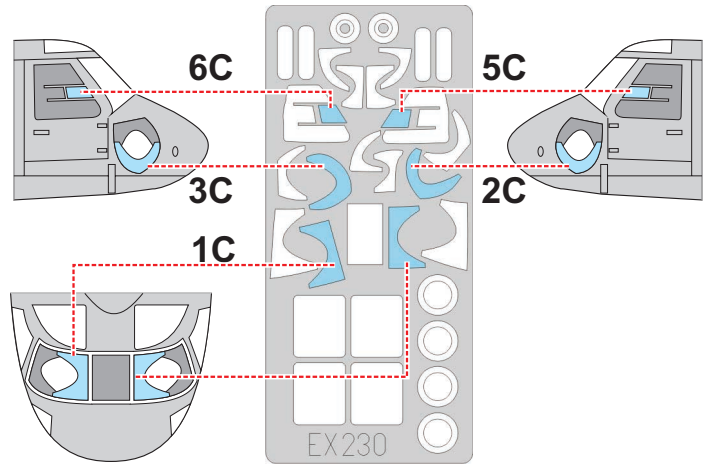
The die-cut mask for accurate canopy frame painting of the *Italeri* scale 1/48 KIT



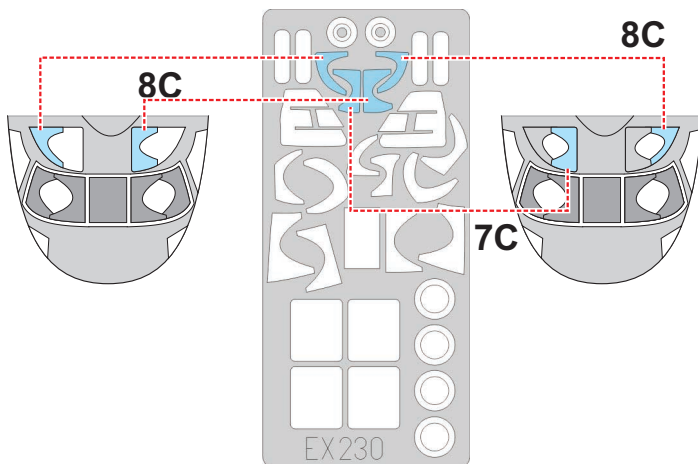
1.)



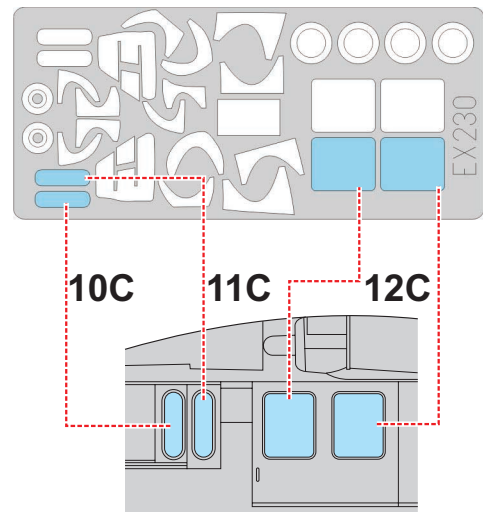
2.)

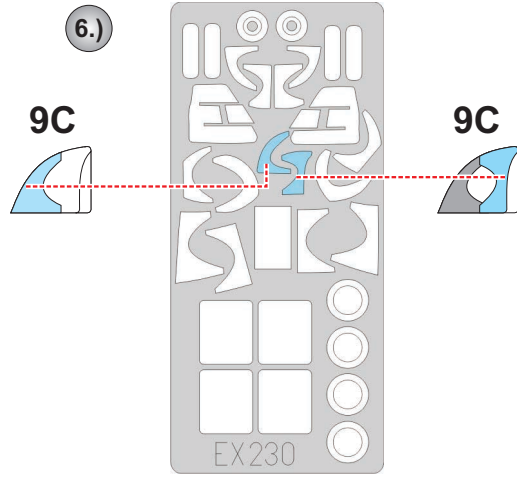
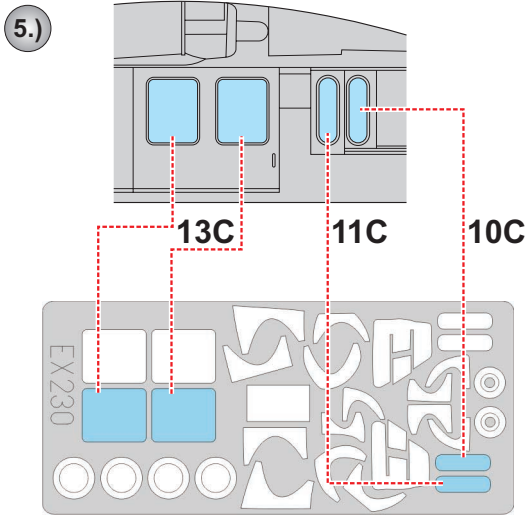


3.)

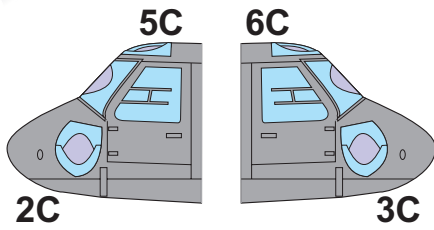


4.)



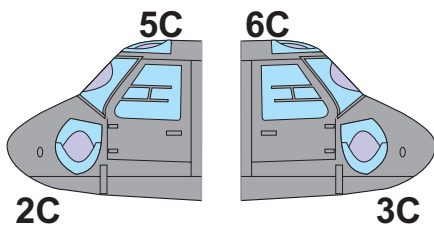


7.) **INTERIOR COLOR**

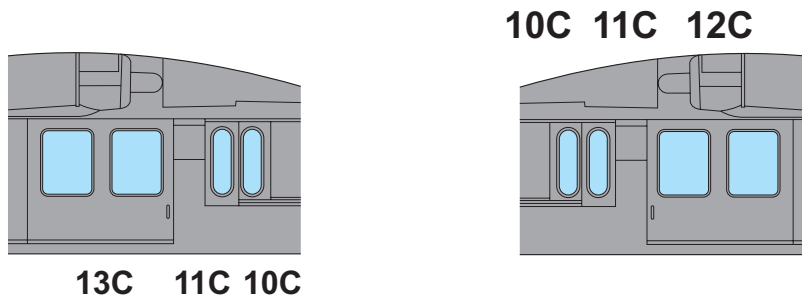


LIQUID MASK ■

8.) **CAMOUFLAGE COLOR**



LIQUID MASK ■



9.) **REMOVE MASK**

REFERENCES: Squadron/Signal Publ.: in action # 133 - H-60 Black Hawk