

# HAWKER TEMPEST MK.V

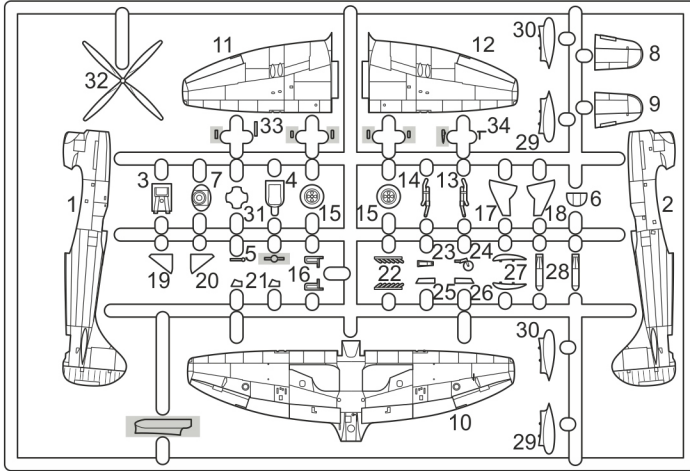
## LE GRAND CIRQUE



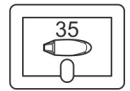
MKM144100  
1/144 scale

MARK I Ltd.  
PO Box 10  
Prague 10 - Strašnice  
CZ-100 31  
Czech Republic  
mark1@cmail.cz  
www.4pluspublications.com

plastic parts

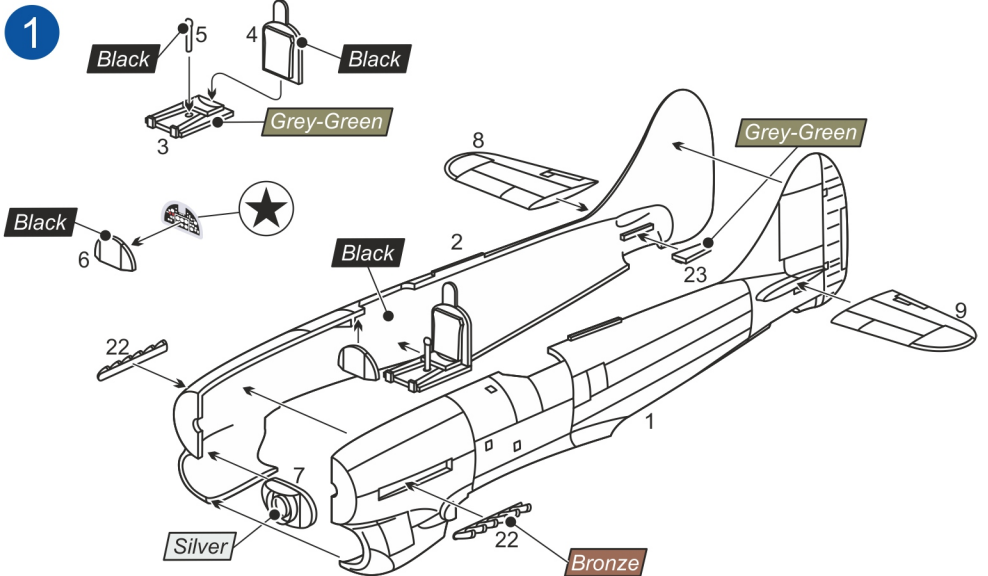


clear part

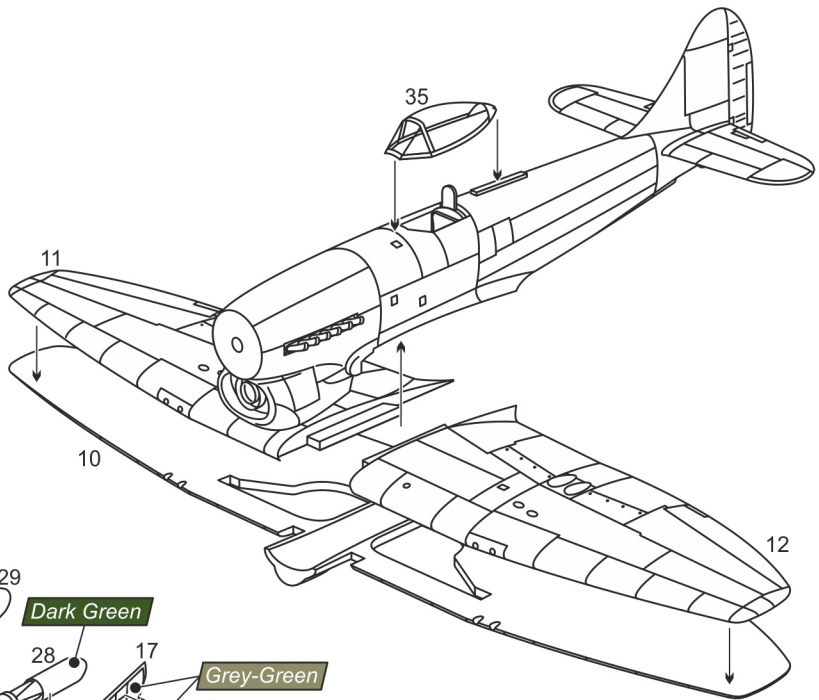


parts not to be used

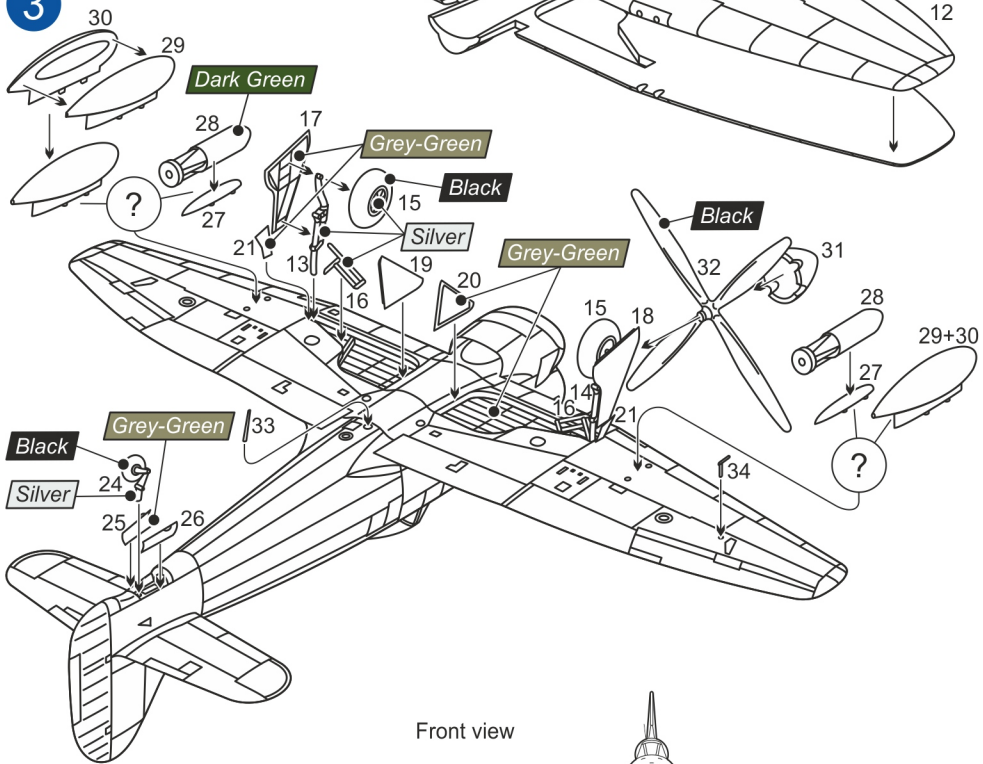
- Repeat this operation
- Glue
- Don't glue
- Decal
- Detach/cut
- Optional



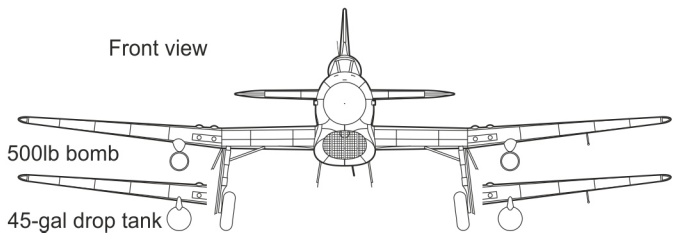
2



3



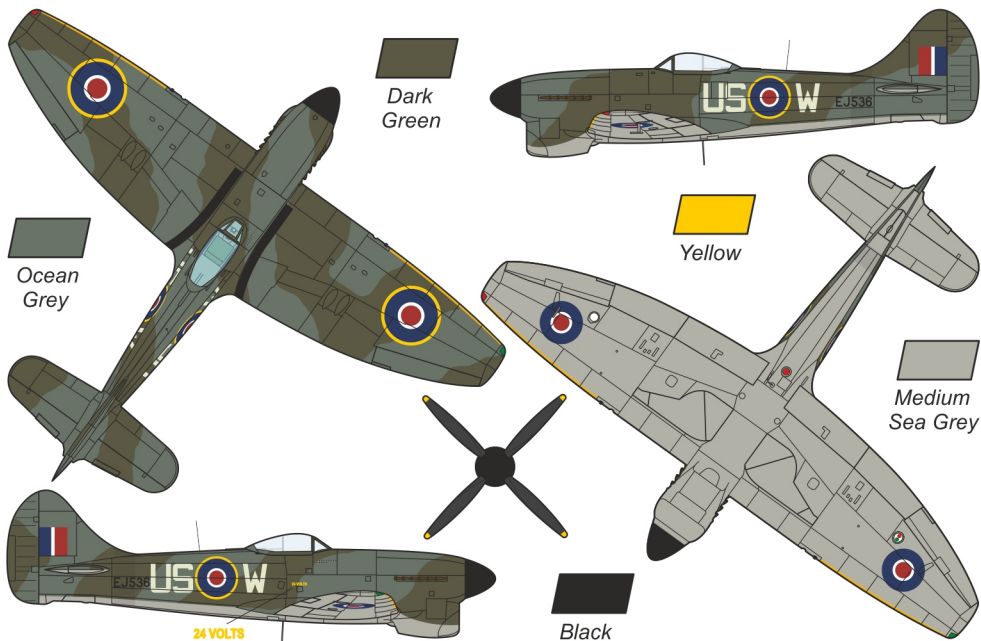
Front view



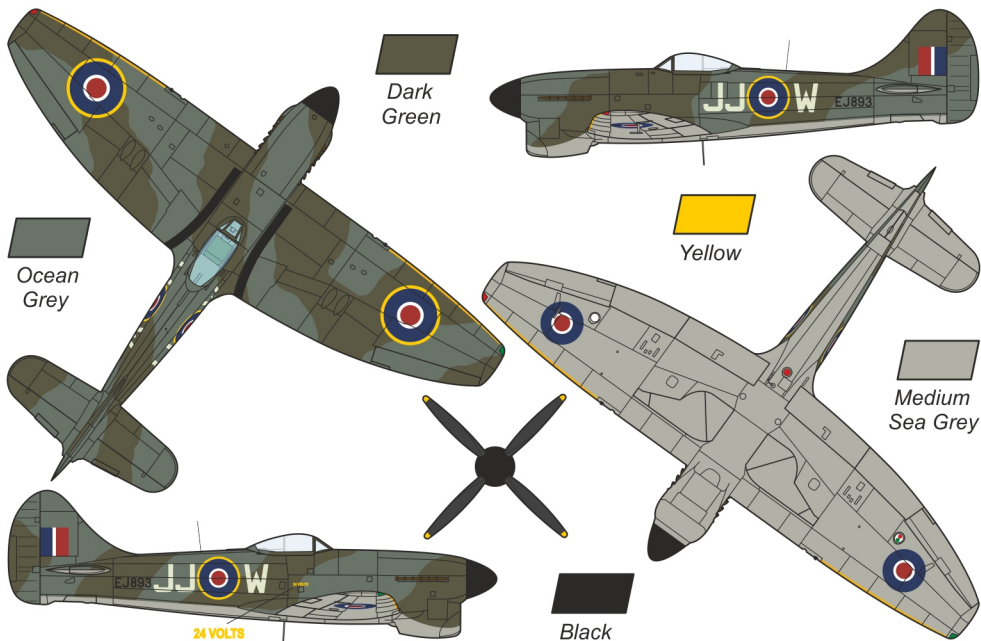
500lb bomb

45-gal drop tank

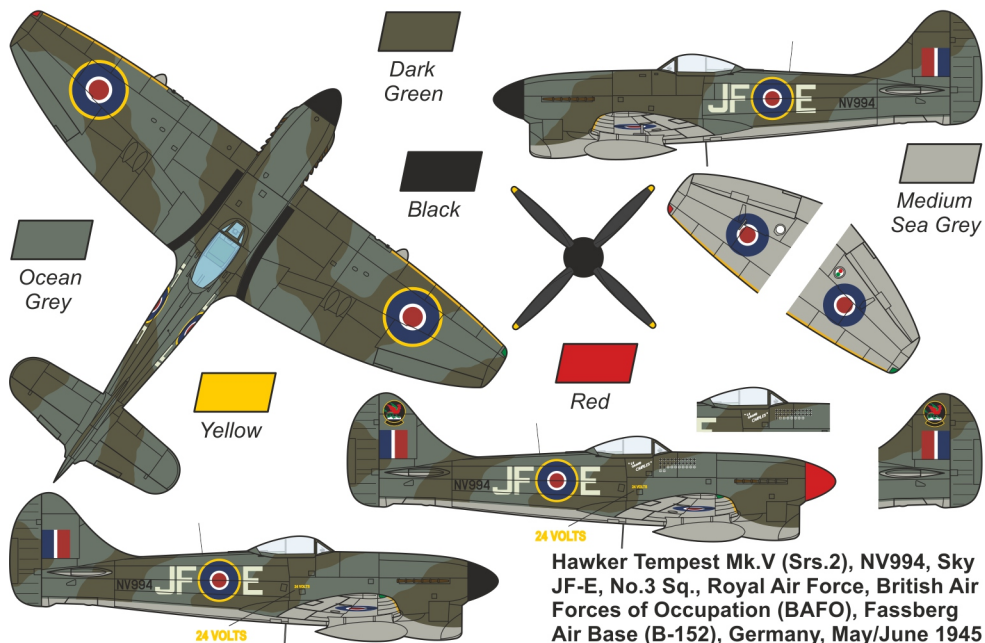
**A** Hawker Tempest Mk.V (Srs.2), EJ536, Sky US-W, No.56 Sq., Royal Air Force, Volkel airfield (B-80), the Netherlands, early April 1945



**B** Hawker Tempest Mk.V (Srs.2), EJ893, Sky JJ-W, No.274 Sq., Royal Air Force, Volkel airfield (B-80), the Netherlands, early March 1945



**C** Hawker Tempest Mk.V (Srs.2), NV994, Sky JF-E, No.3 Sq., Royal Air Force, Fassberg Air Base (B-152), Germany, April 1945



**D** Hawker Tempest Mk.V (Srs.2), NV724, Sky JF-E, No.3 Sq., Royal Air Force, British Air Forces of Occupation (BAFO), Lübeck-Blankensee Air Base (B-158), Germany, August 1945

