

# F4F-3 "WILDCAT" (EARLY)

F4F-3 ワイルドキャット (初期型)

F4F-3 “野猫” 战斗机 (早期型)

## PLEASE READ BEFORE OPERATION!

- \* Tools recommended as below: (Not included)  
Adhesives; Paints; Side Cutters; Sharp Edged Pliers; Modeling Knife; Modeling File; Nippers; Drill; Scissors; Sand Paper; Soft Cloth; Cyanoacrylate Glue.
- \* Make sure to read this instruction listed below before assembling.
- \* The kit contains the small parts, they can be dangerous if swallowed by mistake, so keep them away from reach of children.
- \* Cut the all parts off carefully and remove the waste parts into the garbage can.
- \* More caution and care should be needed for cutting and handling the photo etched parts.
- \* Make attention that some parts should be attached the decal when assembled.
- \* During assembling, please tear up and throw away the plastic bags, or may cause the dangerous if wearing over head by children's mistake.
- \* When using the adhesives and paints, please do not use them in the closed room or near the fire, also must be very careful to protect your eyes,face and clothes.
- \* Adult supervised when assembled by children under 14 years old.

## 装配前请仔细阅读：

- \* 推荐使用的模型工具(请自备):  
专用模型胶水, 专用模型油漆, 水口剪刀, 长咀钳, 刀片, 锉刀, 镊子钳, 钻, 剪刀, 软布, 砂纸, 瞬间快干胶等。
- \* 用水口剪刀或刀片小心切下所有塑胶零件和蚀刻片零件, 不要遗失小零件。
- \* 切取蚀刻片时应特别注意防止利边划伤手指。
- \* 用模型锉刀小心锉平所有零件表面的注射浇口。
- \* 用适量的强力快干胶水粘合蚀刻片零件和金属轴, 切忌过量, 否则可能导致可动零件被粘住。
- \* 注意某些零件表面需在装配时同步贴水上贴纸。
- \* 制作时应远离幼儿并将包装袋及时收妥, 谨防小孩玩耍而引起意外。



cyanoacrylate glue  
强力胶



weight  
配重



make hole  
钻孔



cut / remove  
切除



option  
选择



no cement  
不涂胶水



decal  
贴纸



bend  
弯曲

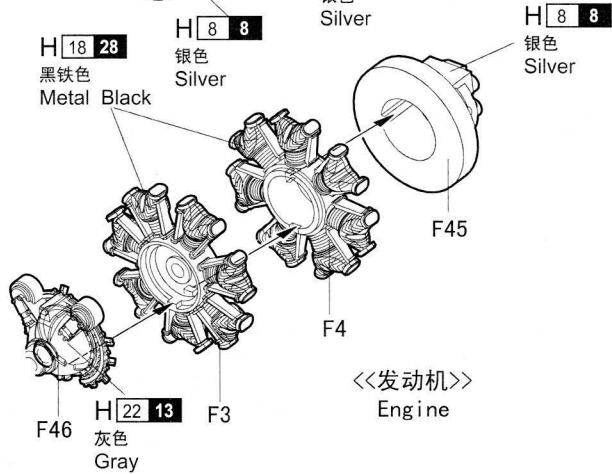
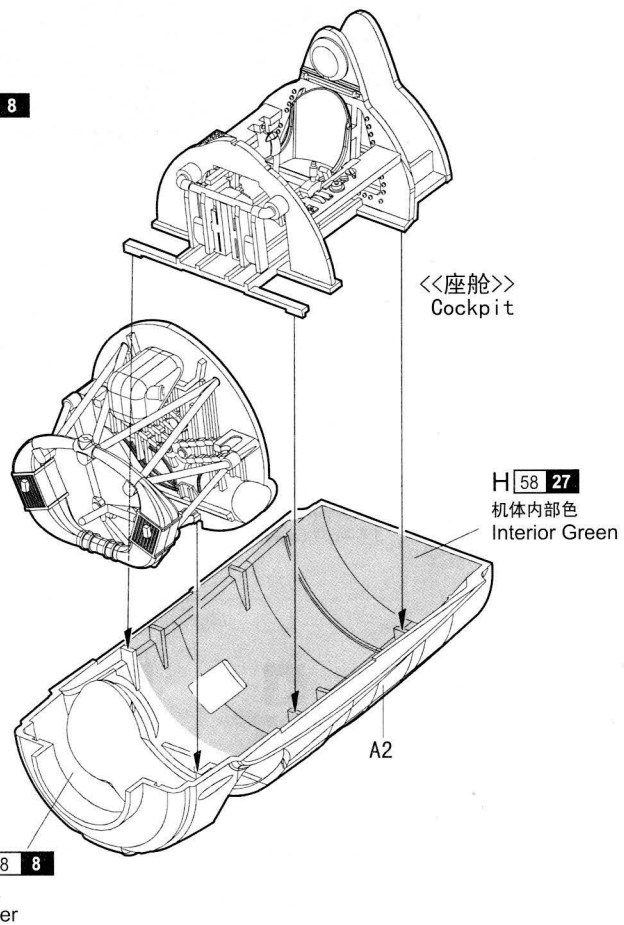
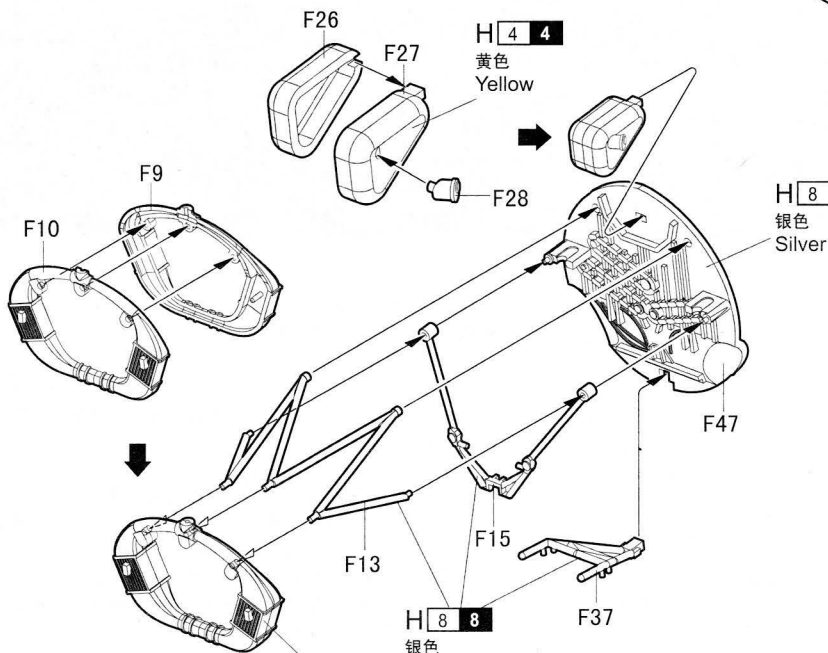
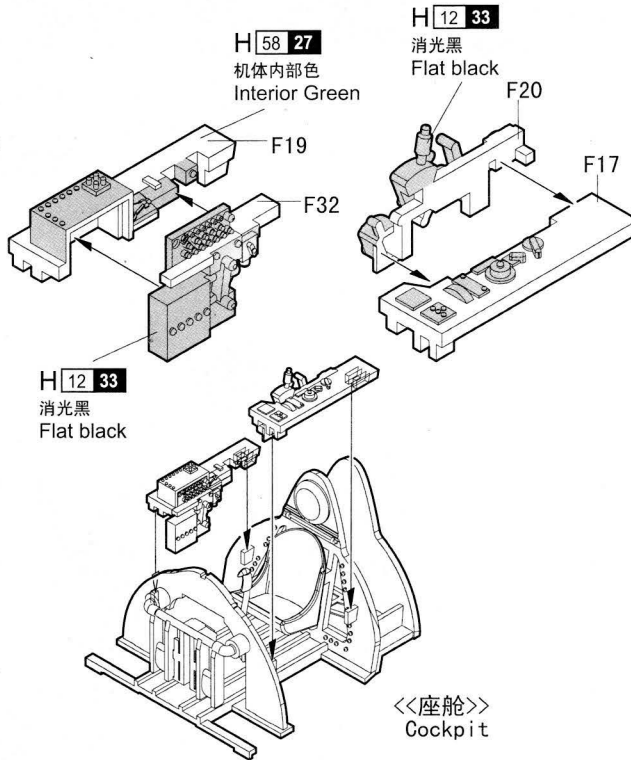
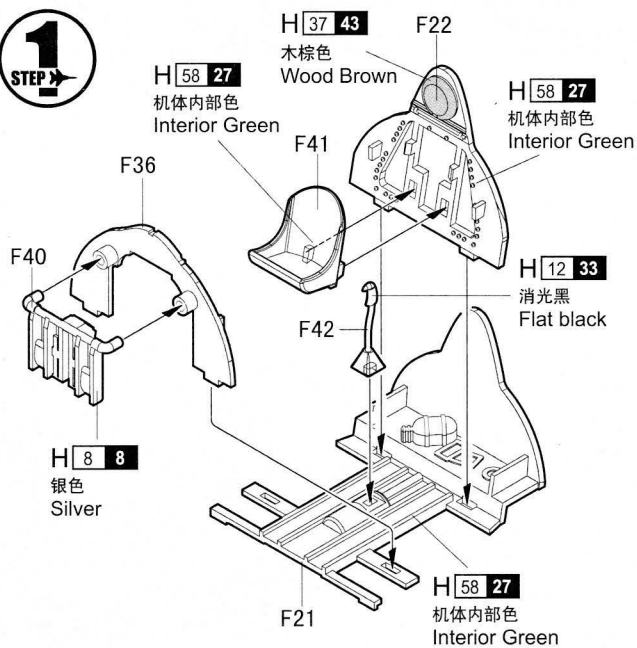
## The method to apply the decals

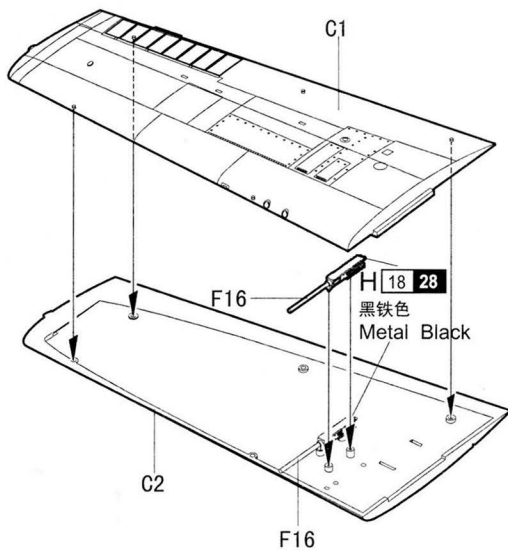
1. Cut off the decal from the decal paper and put it into the warm water 40°C for 10 seconds.
2. Take the decal from the water and put it on a piece of clean cloth.
3. Remove the decal slowly from the paper to the targeted location by a wet finger.
4. Use a piece of dry and soft cloth to press it gently on the decal until it getting dry and no bubble existing.

## 水贴纸的使用方法：

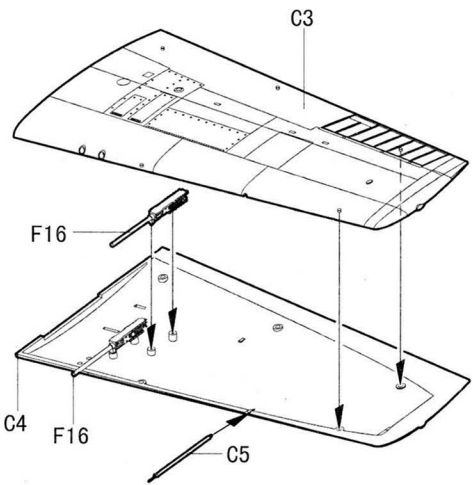
- 一. 把相关的印花从水贴上剪下, 放入40°C左右的温水中浸10秒。
- 二. 然后将印花放在干净的布上。
- 三. 拿上印花纸板, 手指蘸水将印花移到适当的位置。
- 四. 用软干布轻压印花直至水干, 气泡消失。

**1**  
STEP

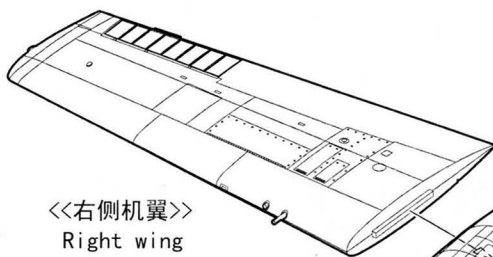
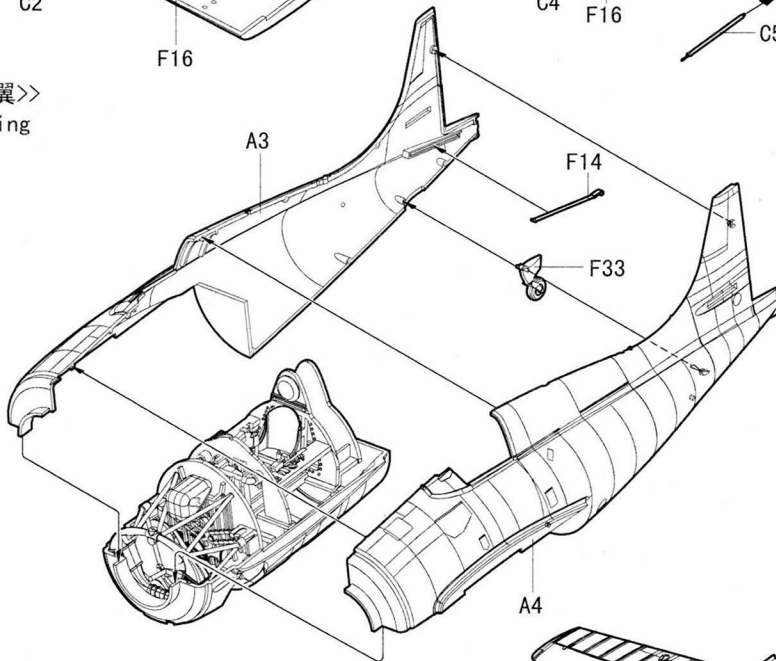




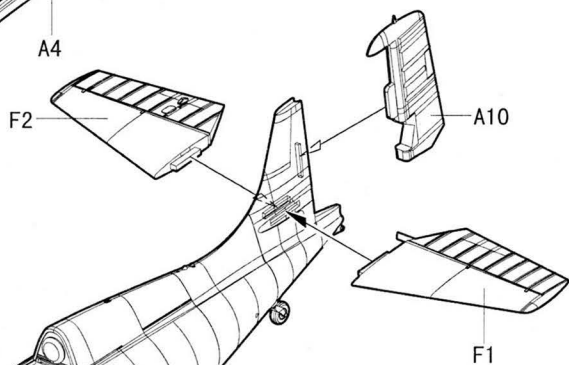
<<右侧机翼>>  
Right wing



<<左侧机翼>>  
Left wing



<<右侧机翼>>  
Right wing



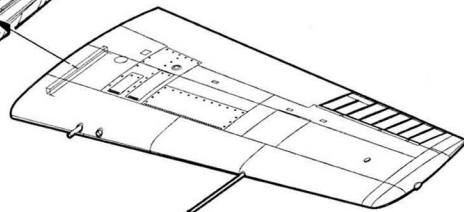
引擎罩  
Cowling

H58 27  
机体内部色  
Interior Green



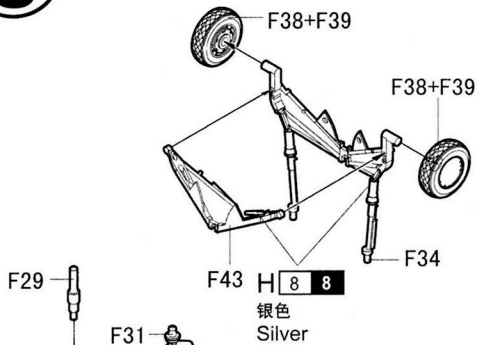
<<发动机>>  
Engine

H8 8  
银色  
Silver



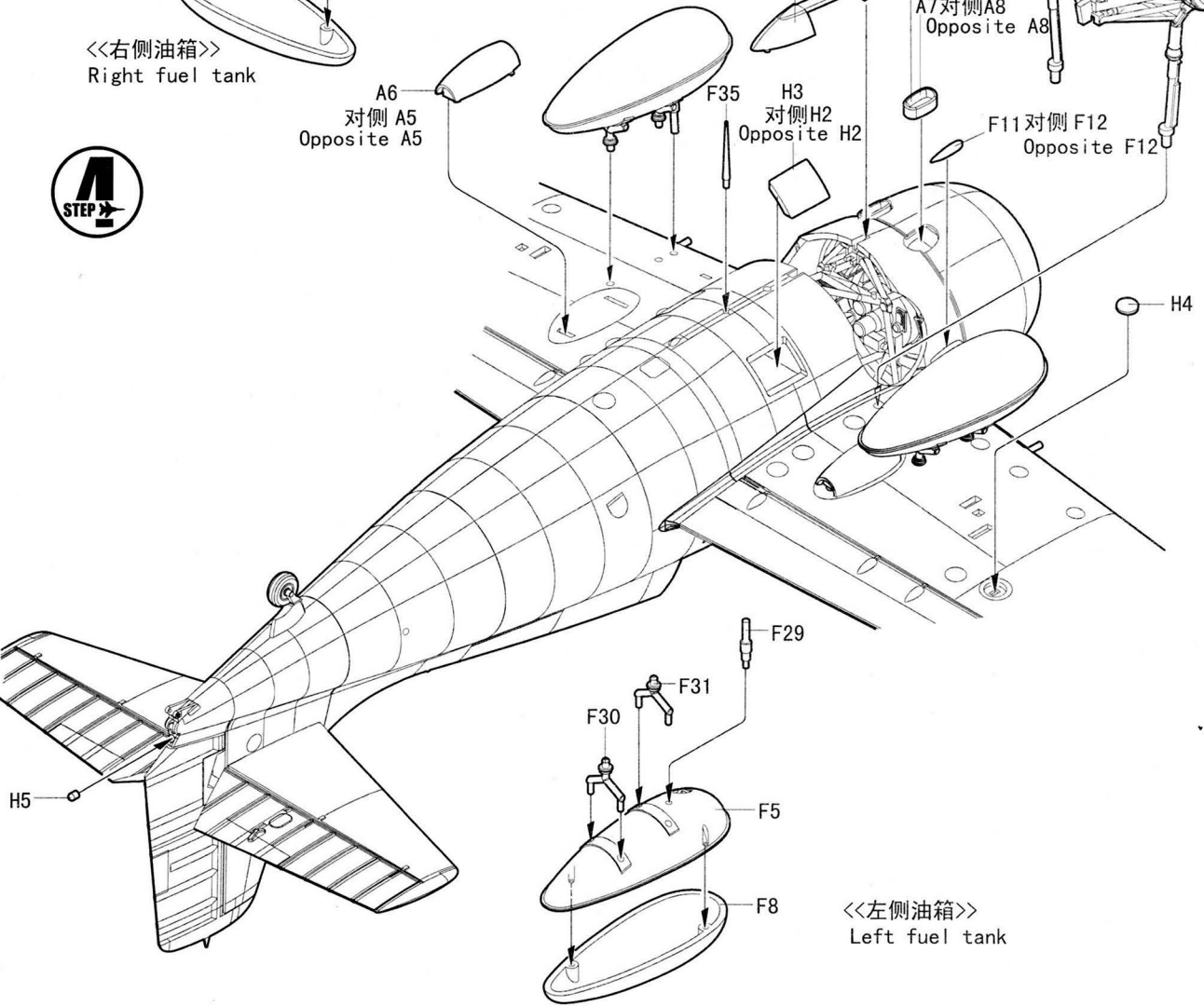
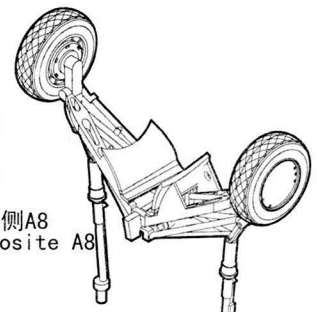
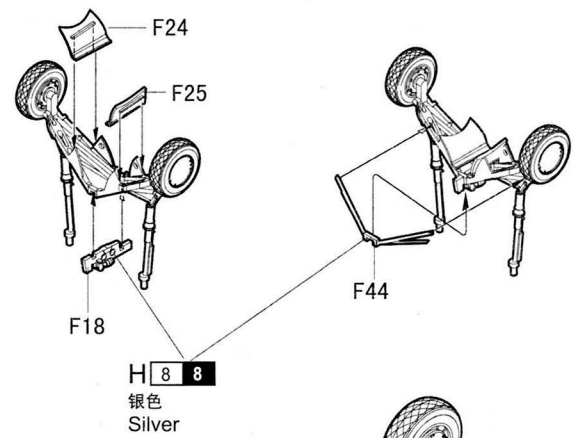
<<左侧机翼>>  
Left wing

**3**  
STEP



<<右侧油箱>>  
Right fuel tank

**A**  
STEP



<<左侧油箱>>  
Left fuel tank

H 12 33  
消光黑  
Flat black

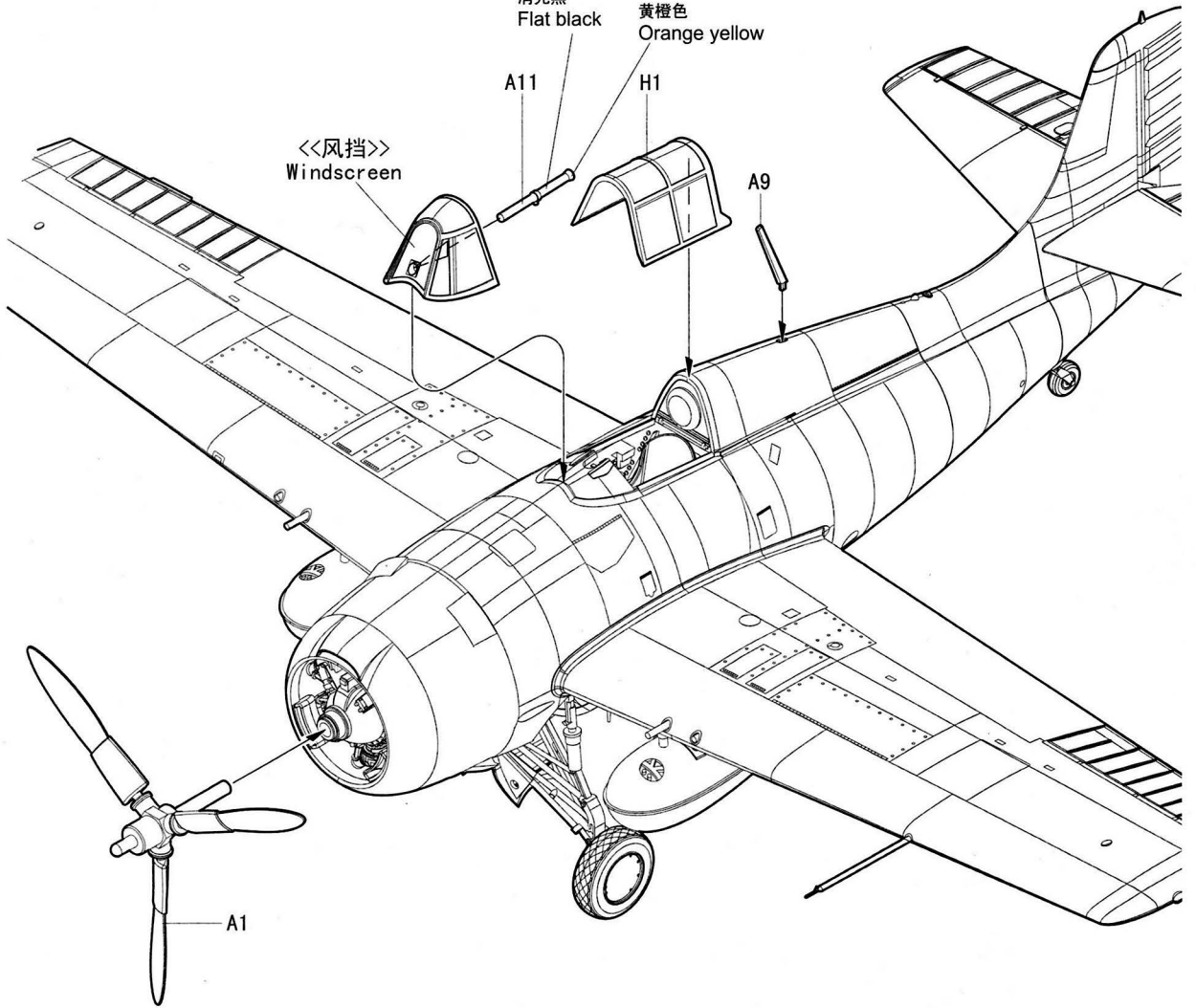
H 24 58  
黄橙色  
Orange yellow

A11

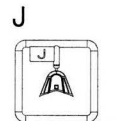
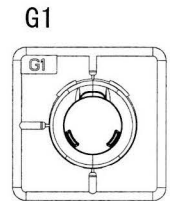
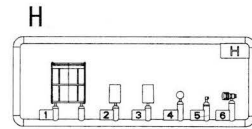
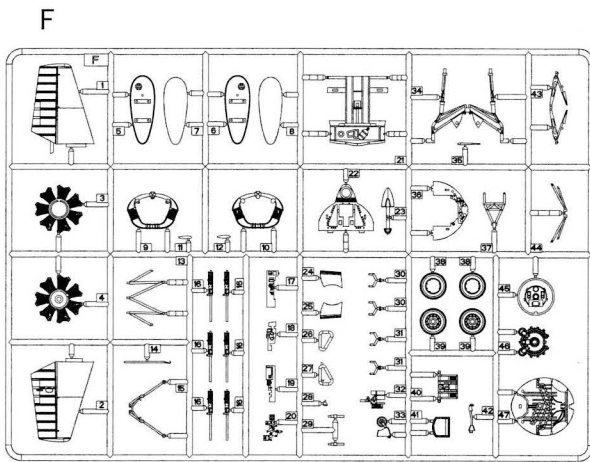
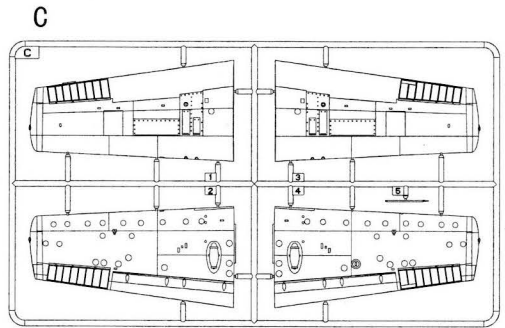
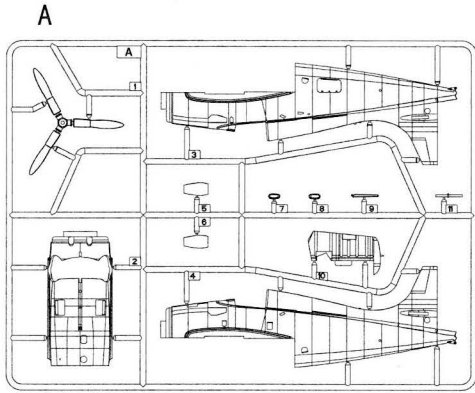
H1

A9

<<风挡>>  
Windscreen



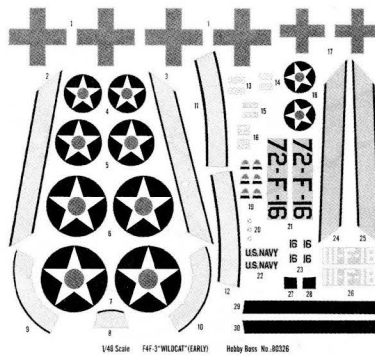
# 部品图 Parts



<<风挡>>  
Windscreen

<<引擎罩>>  
Cowling

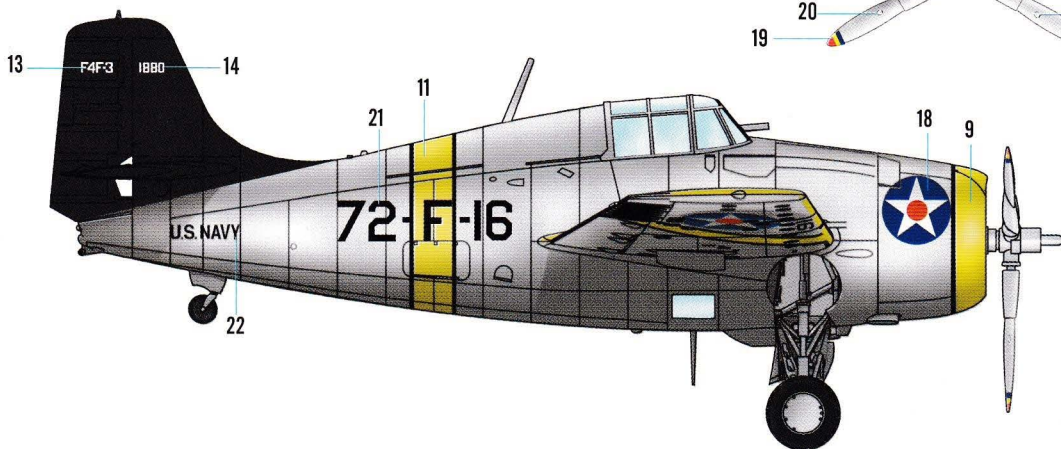
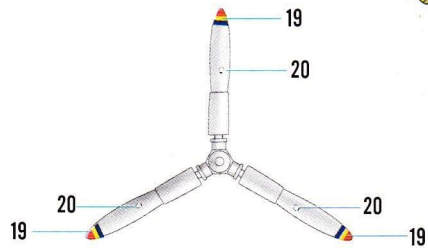
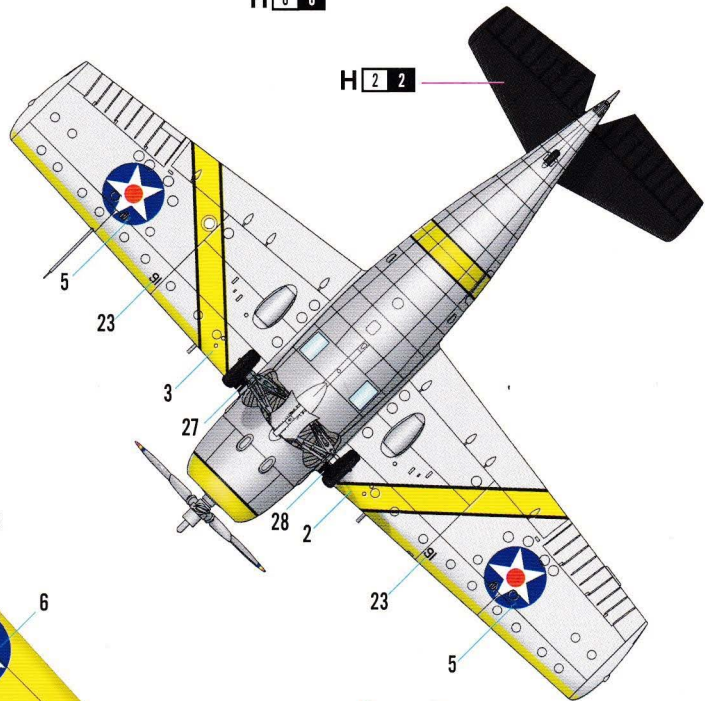
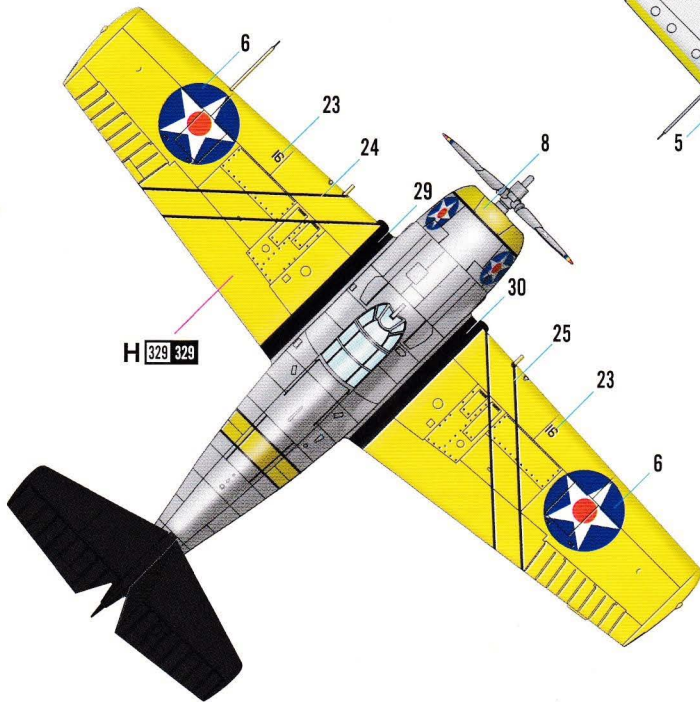
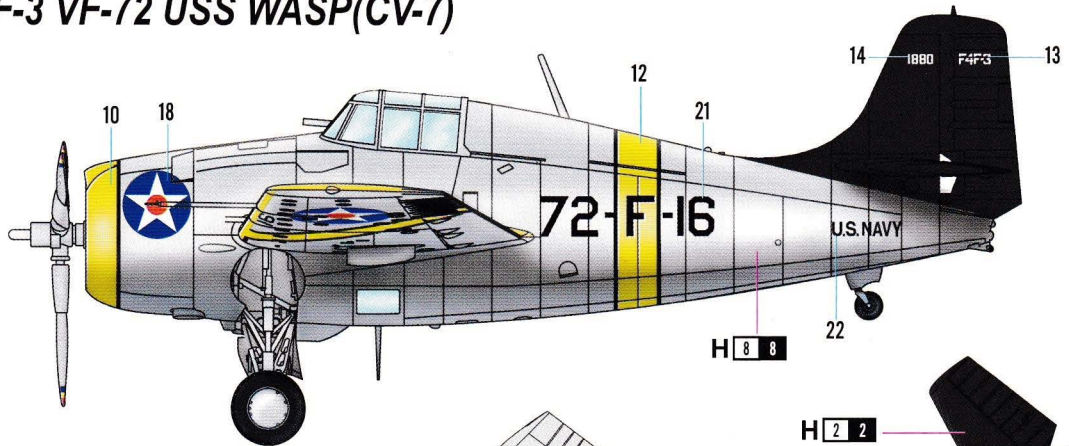
水贴  
Decal



1/48 Scale F4U-3 "WILD CAT" (EARLY) Hobby Boss No. B0326

不用的部件: H6  
Unused part: H6

I F4F-3 VF-72 USS WASP (CV-7)



H 8 8

H 2 2

H 329 329

NO.:80326

SILVER

BLACK

ORANGE YELLOW

使用Mr.HOBBY涂料

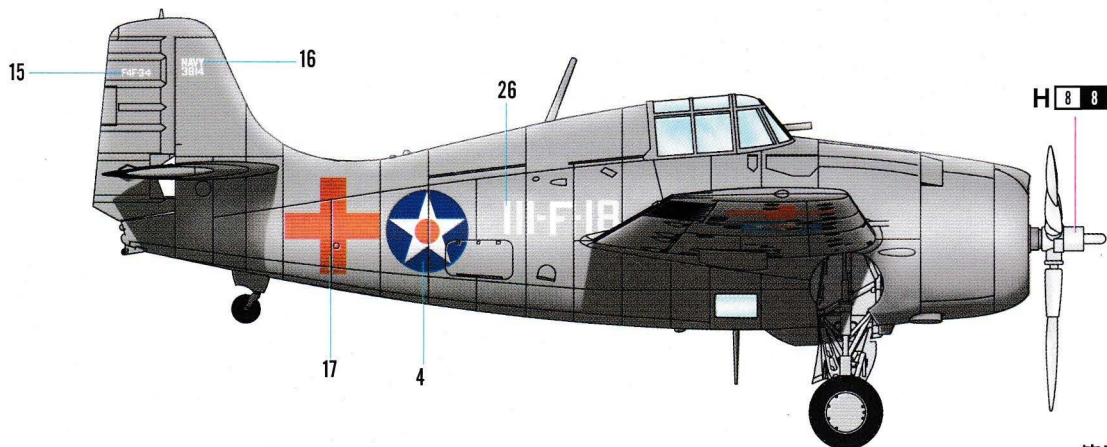
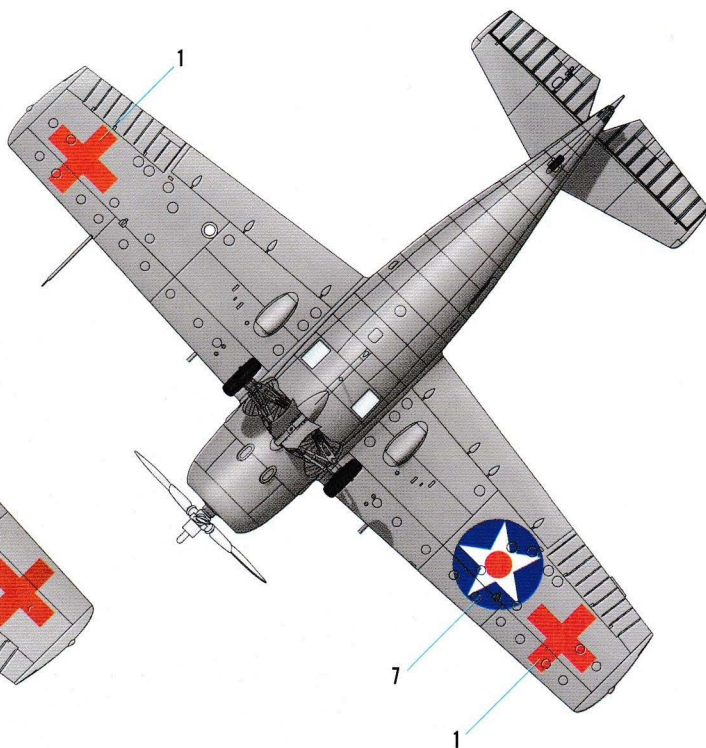
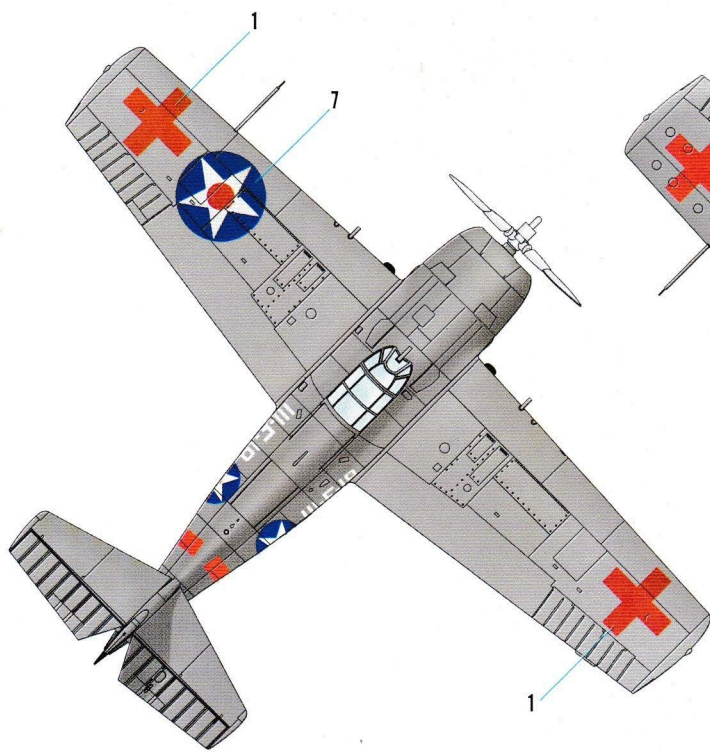
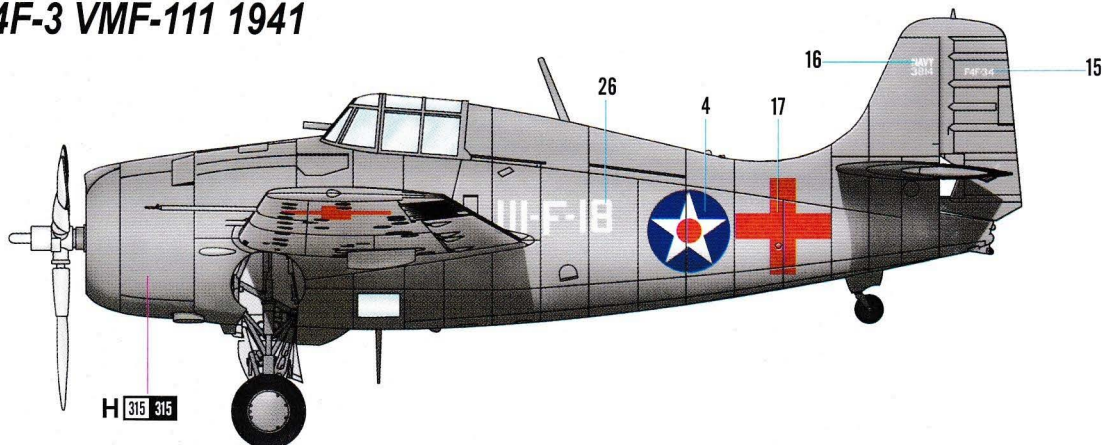
Mr. Color used

8 AQUEOUS HOBBY COLOUR

8 MR.COLOUR

\* Some paints may not be available in your country. Please check your local hobby shop for substitute

II F4F-3 VMF-111 1941



H 8 8

H 315 315

NO.:80326

SILVER

LIGHT GULL

使用Mr.HOBBY涂料

Mr. Color used

8 AQUEOUS HOBBY COLOUR

8 MR.COLOUR

※ Some paints may not be available in your country. Please check your local hobby shop for substitute