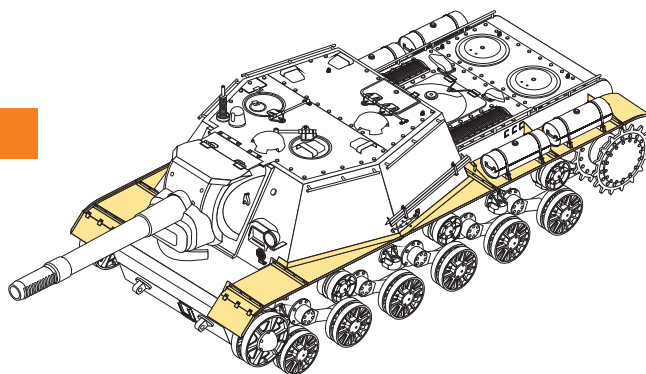


1/35 MILITARY MINIATURE VEHICLE UPGRADE SERIES PE35494

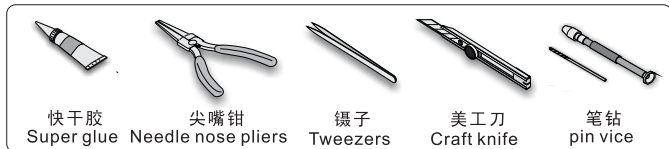
WWII Soviet SU-152 late production Fenders

二战苏联SU-152自走炮后期型翼子板改造件

[For Trumpeter 05568]



■ 推荐使用工具 RECOMMENDED TOOLS



快干胶 Super glue 尖嘴钳 Needle nose pliers 镊子 Tweezers 美工刀 Craft knife 笔钻 pin vice

↑ 安装 install

↩ 折叠 bend

A1
改造件零件编号 PE/resin part number

B12
原零件编号 kit part number

C22
被替换的原零件编号 replaced kit part number

↔ 另一侧相同制作 repeat on opposite side

✂ 切除 remove

🔪 打磨 grind off

📏 弧度卷曲 radial bending

📦 x2 制作若干组 multiple assembly

⇄ 选择安装 alternative

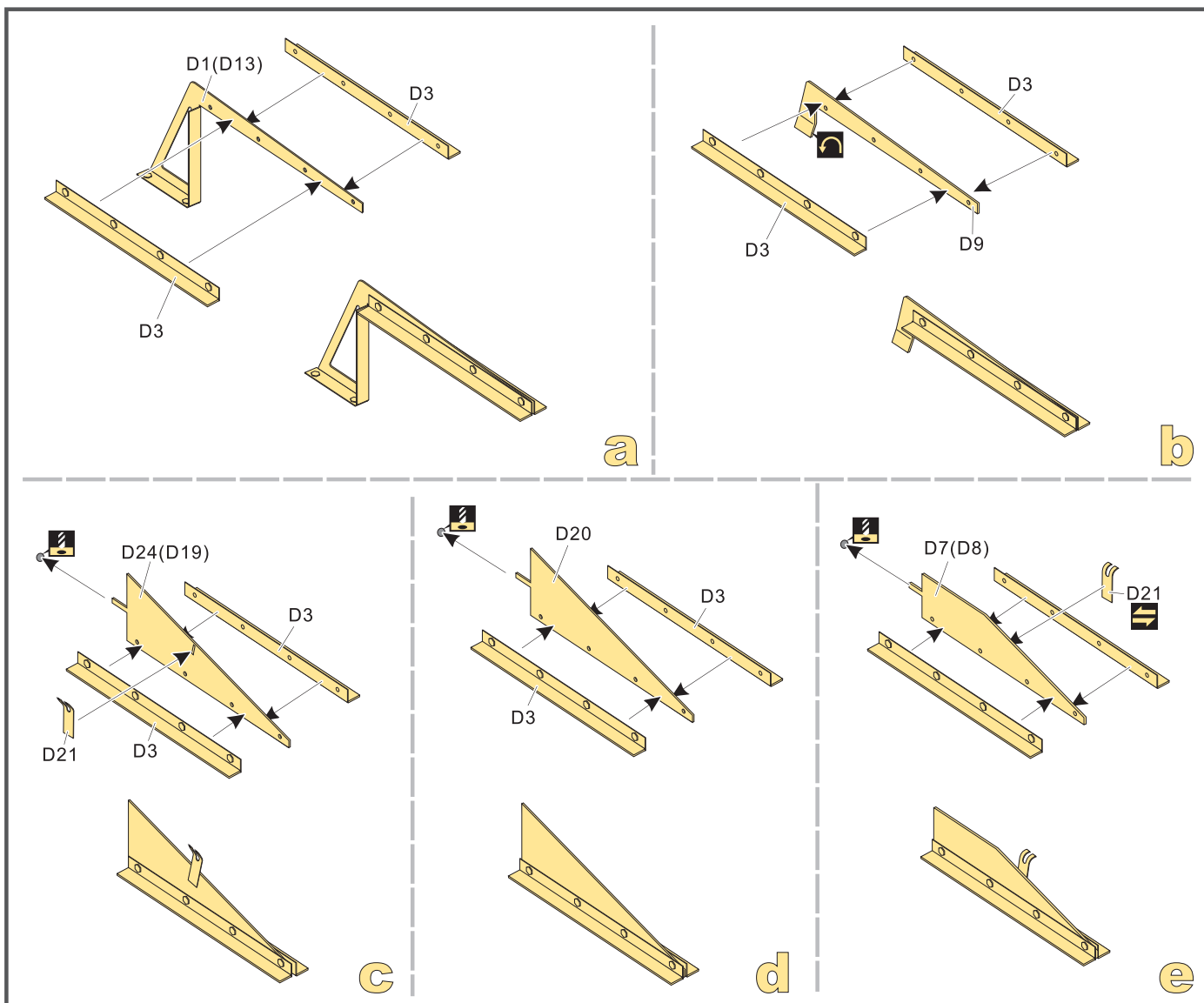
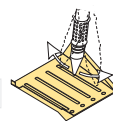
🔧 钻孔 drill

📌 用胶棒制作 make from plastic rod

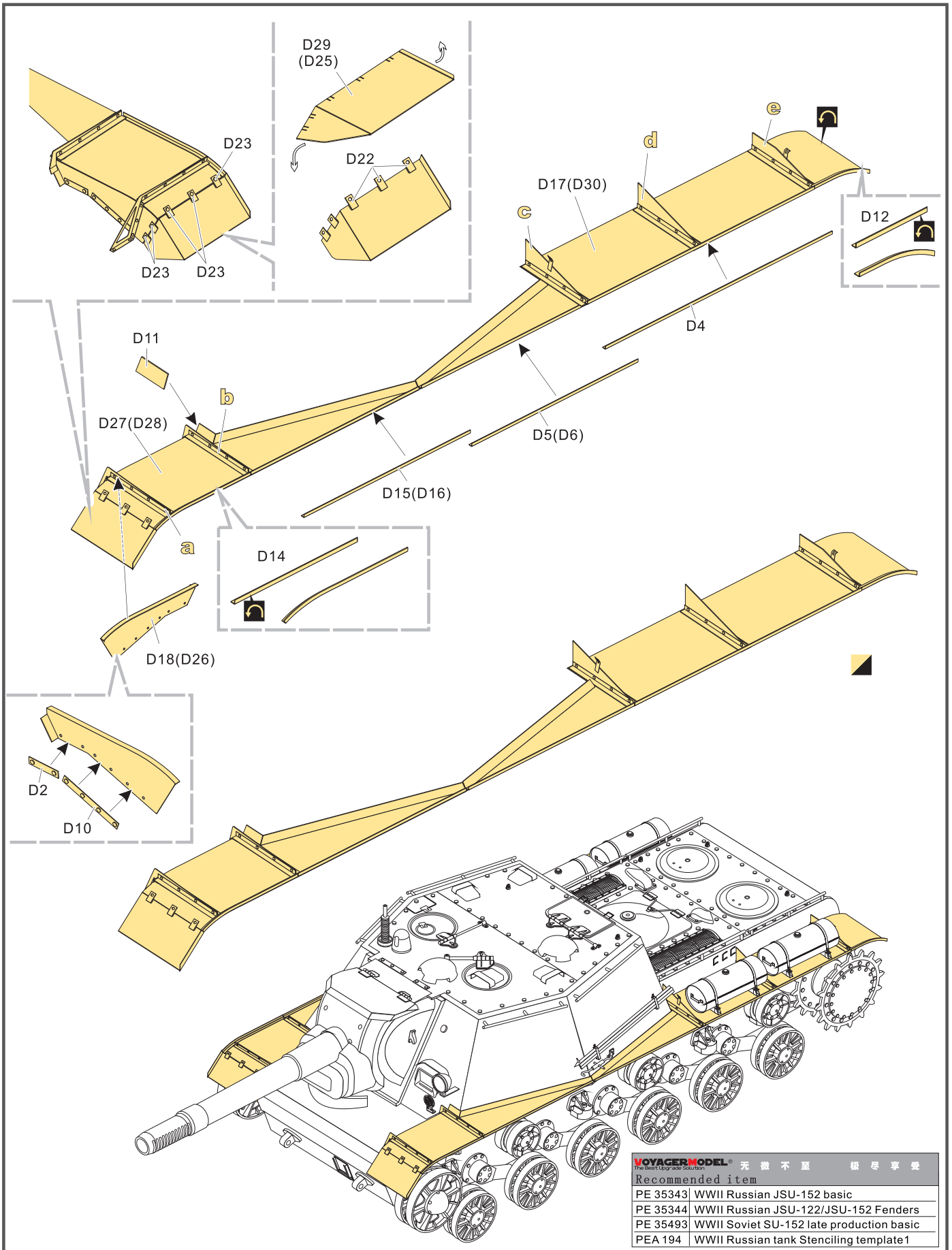
⬇️
用尖端在凹槽处冲压
use penpoint to press on the dent

📄 蚀刻片零件内朝面向上
Put the part upside down

📌 用笔尖在凹槽处刺
Use penpoint to press on the dent



1/35 MILITARY MINIATURE VEHICLE UPGRADE SERIES PE35494



VOYAGERMODEL® 无微不至 极尽享受
The Best Upgrade Solution

Recommended item	
PE 35343	WWII Russian JSU-152 basic
PE 35344	WWII Russian JSU-122/JSU-152 Fenders
PE 35493	WWII Soviet SU-152 late production basic
PEA 194	WWII Russian tank Stenciling template 1