



AMX

AMX FIGHTER SINGLE-SEATER

The AMX is a light attack aircraft, jointly developed by Italy and Brazil. The main role of the AMX is ground attack in visual and marginal weather conditions, with primary roles in long range strike and air interdiction, close air support, reconnaissance and armed patrol.

AMX can carry up to 3,800kg of air-to-air and air-to-surface missiles, bombs and munitions. The AMX is powered by the Rolls-Royce Spey Mark 807 non-afterburn turbofan engine.

The AMX fighter-bomber aircraft is in service with the air forces of Brazil, Italy and Venezuela. The first AMX aircraft was delivered to the Italian Air Force in 1989 and to the Brazilian Air Force in 1990. In total, 192 aircraft were delivered to Italy (110 AMX, 26 AMX-T) and Brazil (79 AMX, 15 AMX-T). It has seen combat in the Kosovo Campaign in the hands of Italian pilots, who call it "Ghibli".

CAUTION

- *Read carefully and fully understand the instructions before commencing assembly.
- *Keep out of reach of children. Children must not be allowed to put any parts in their mouths, or pull plastic bag over their heads.
- *When using adhesives and paints, please make sure not to use them in closed room or near the fire.
- *When assembling this kit, tools including knives are used. Extra care should be taken to avoid injury.

WARNING: CONTAIN SMALL PARTS NOT FOR CHILDREN UNDER 14 YEARS OF AGE.



Drill



Remove



2 Set



Bend



Optional



Decal



Super Glue



Fill Hole



No Cement



Be Careful

TOOLS RECOMMENDED

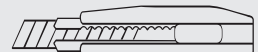
Cement



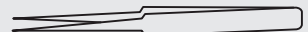
Side Cutter

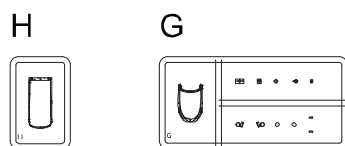
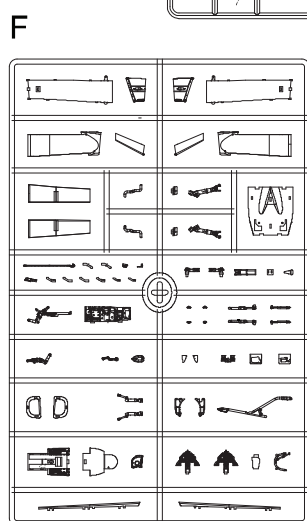
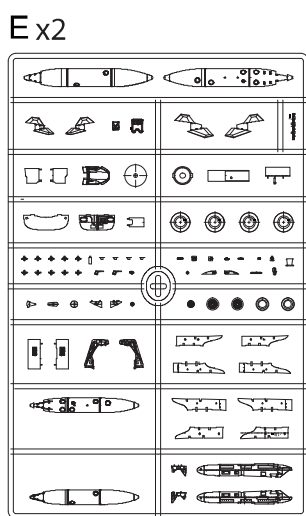
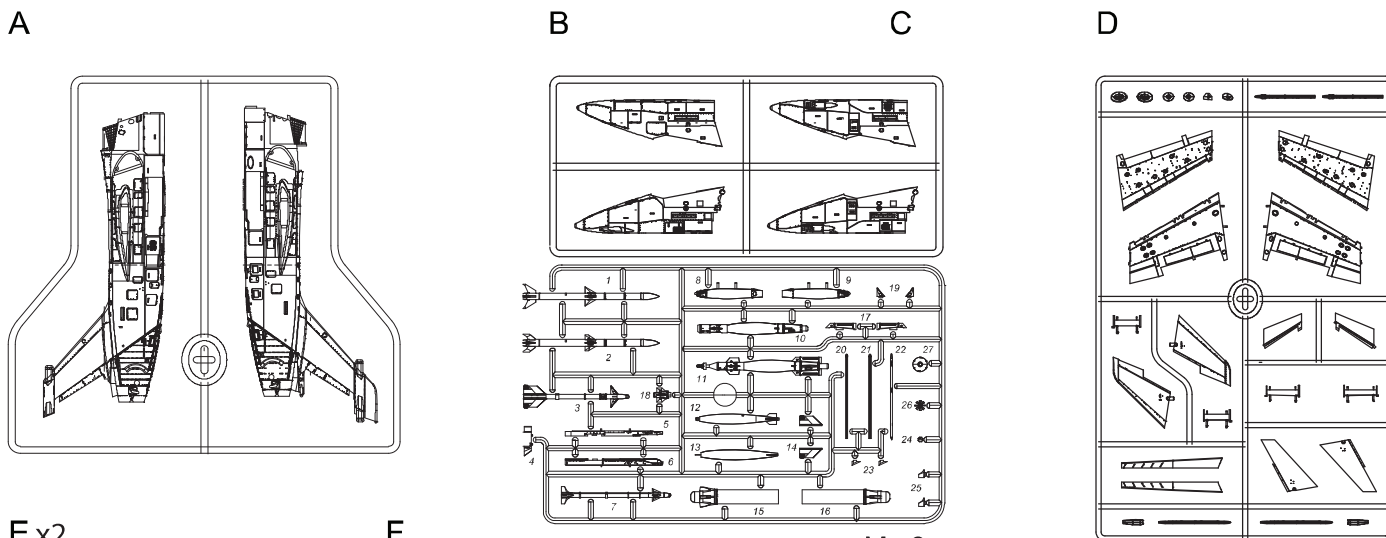


Modeling Knife



Tweezers





AFTERMARKET SERVICES CARD

When requesting replacement parts, please take or send this form to your local dealer so that the parts required can be correctly identified. Please note that specifications and availability are subject to change without notice.

or visit <http://www.kineticmodel.com> for latest information.

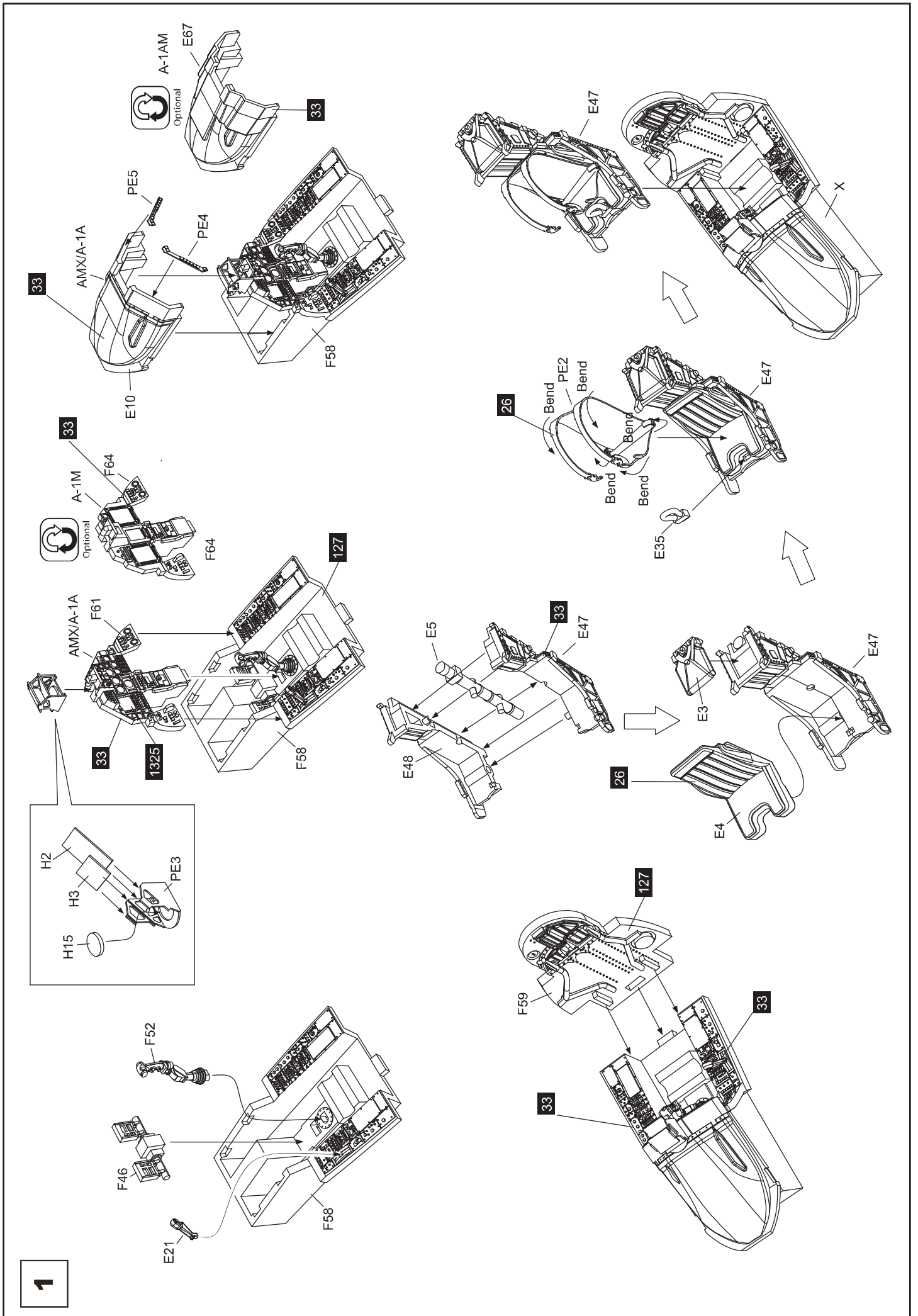
For more information, please contact services@kineticmodel.com

Parts Code	Item	K48026
00-100-021	M	WEAPON SET (AIM-9x,9M,120B/C,GBU-12) PARTS M
00-121-001	A	1/48 AMX SINGLE SEAT FUESLAGE
00-121-002	B	1/48 AMX/ITALY NOSE
00-121-003	C	1/48 AMX/A-1 NOSE
00-121-004	D	1/48 AMX WINGS
00-121-005	E x 2	1/48 AMX FUEL TANK, SEAT
00-121-006	F	1/48 AMX IN TAKE
00-121-007	H	1/48 AMX SINGLE SEAT CANOPY
00-121-008	G	1/48 AMX CANOPY COMMON PARTS
01-121-48026		1/48 AMX FIGHTER ITALY/BRAZIL
03-121-48026		1/48 AMX SINGLE SEAT MANUAL
06-121-48026	PE	PE

PAINT INDEX

Color	Humbrol Enamel/acrylic	Gsi Creos Mr. Color	Italeri Arcylic Paint	Tamiya Enamel/acrylic	Ammo Mig	Vallejo Model Color
Flat Black	33	33	4768ap	Xf-18	46	950
Flat White	34	-	4796ap	X-2	47	951
Clear Red	1321	47	-	X-27	93	934
Clear Green	1325	138	-	X-25	92	-
Us Ghost Grey	127	308	-	-	-	-
Gun Metal	53	-	4681ap	X-10	45	863
Zinc Chromate	81	-	-	-	-	-
Silver	11	8	4678ap	-	-	790
Khaki	26	55	-	Xf-49	-	880
Alluminium	27001	Mc218	467ap	-	-	-
Sky Gray	28	-	-	Xf-19	-	989
Dark Green	30	320	-	Xf-70	-	-
Ocean Gray	106	-	-	Xf-82	-	893

33 denotes Humbrol Paints

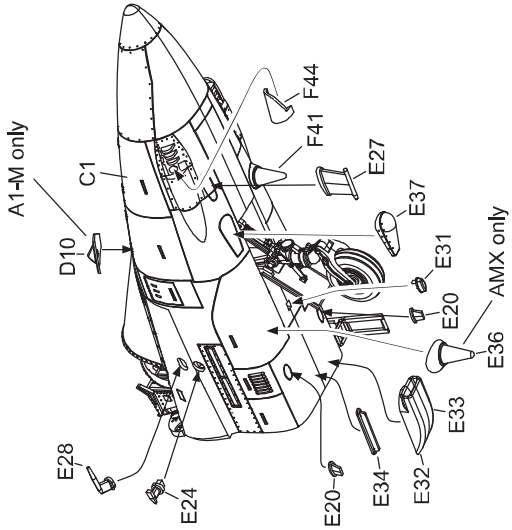
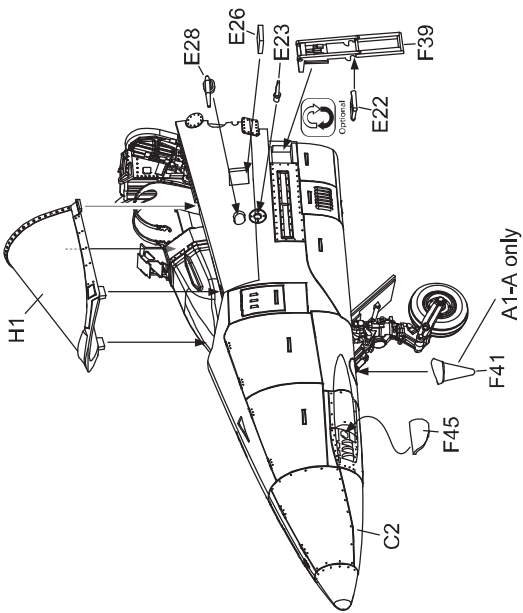
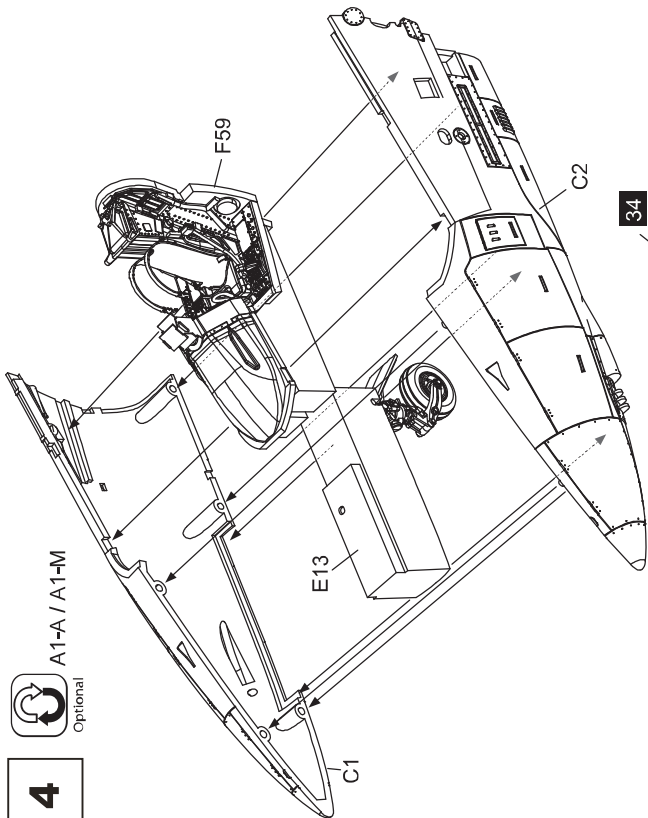


1

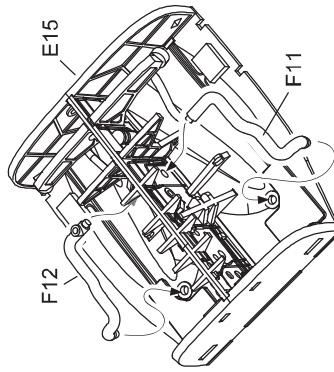
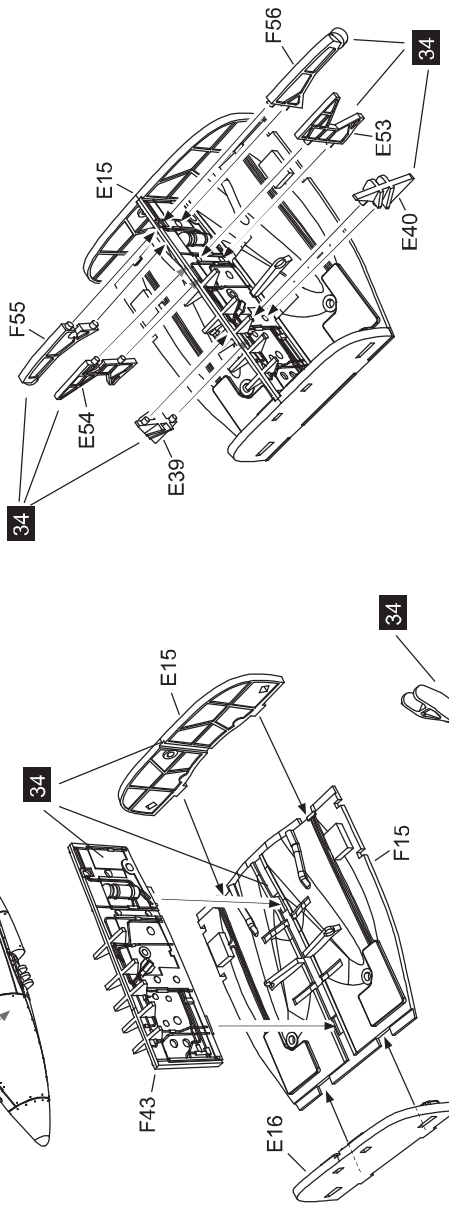


A1-A / A1-M

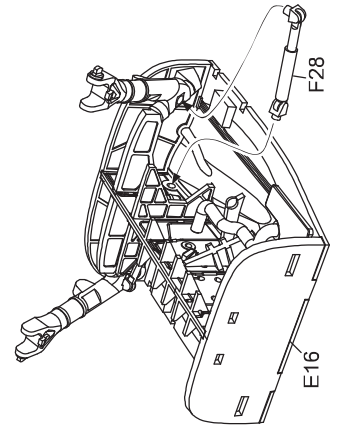
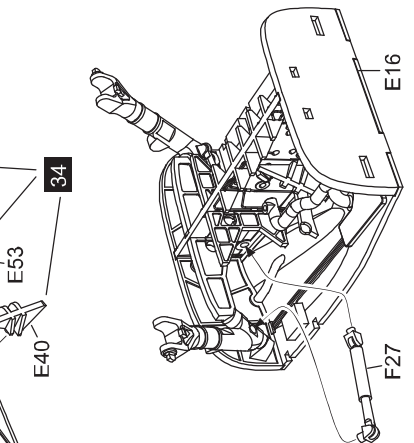
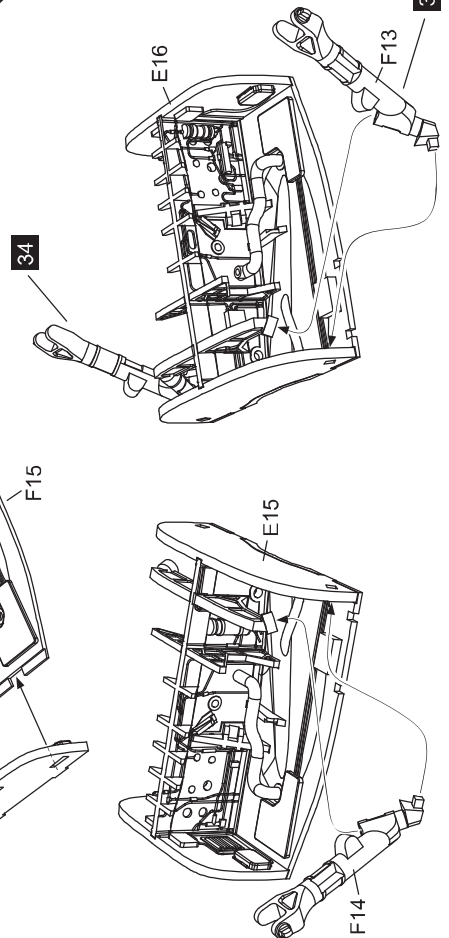
4

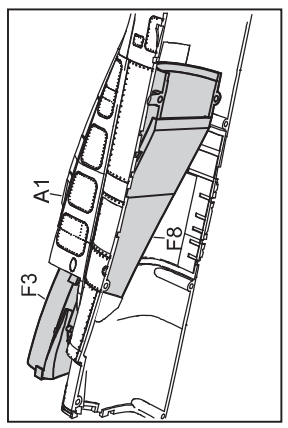
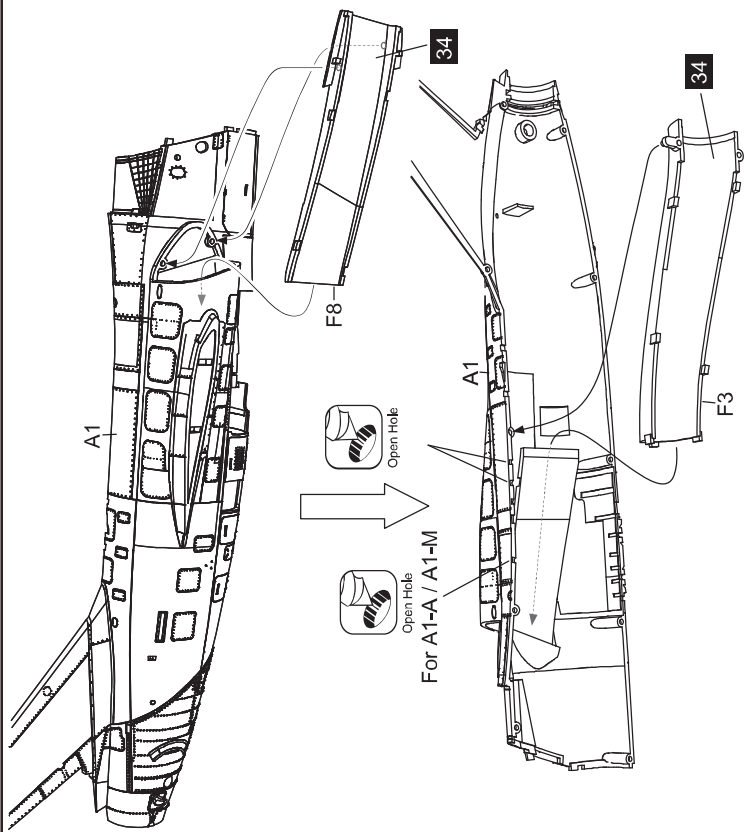
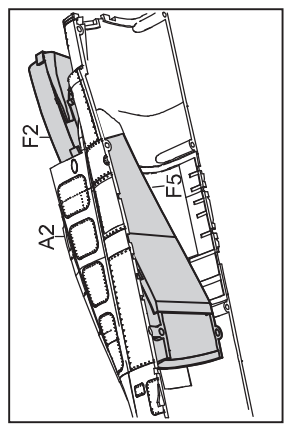
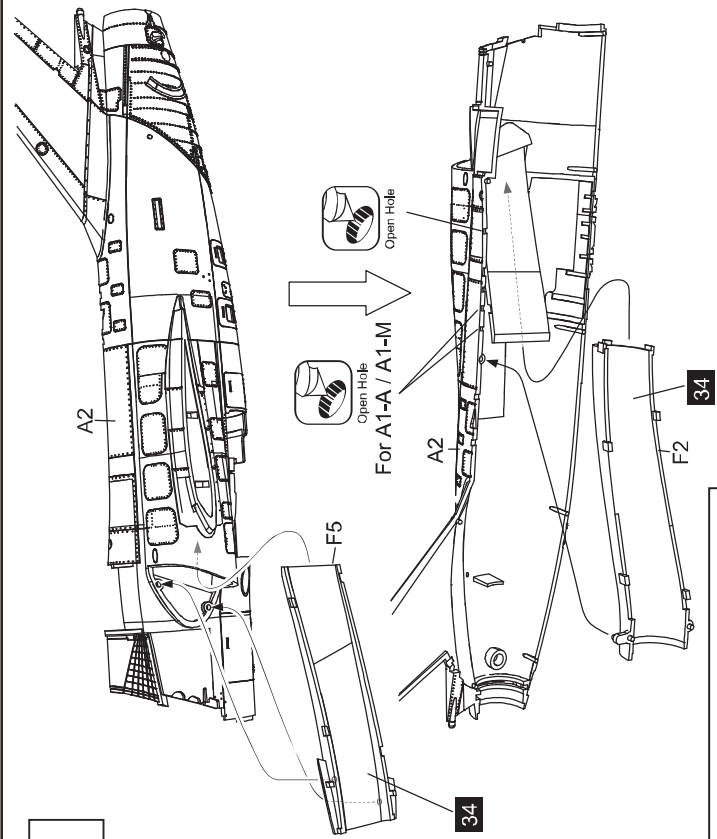


5

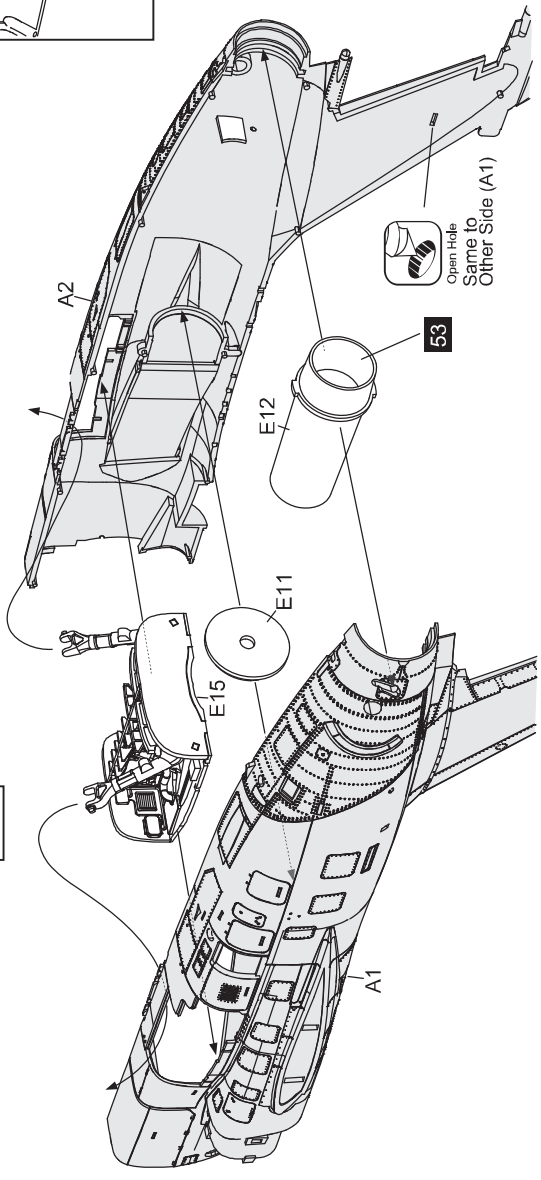


6

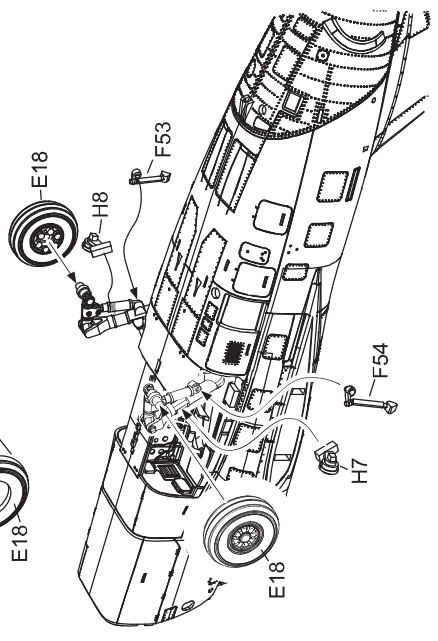
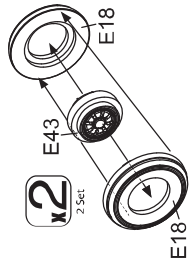
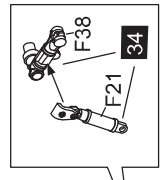
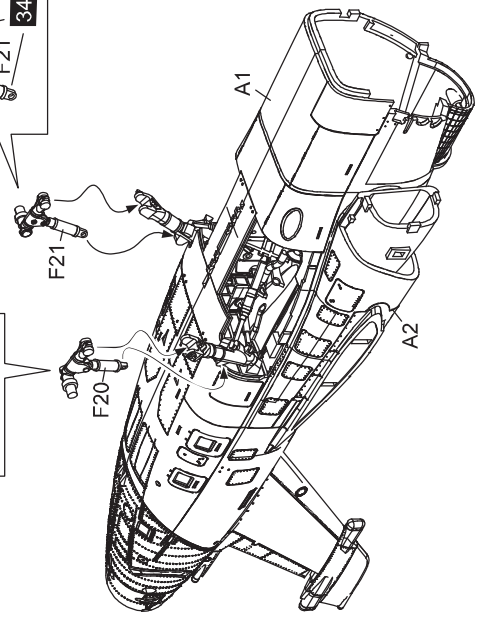
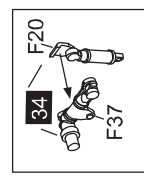
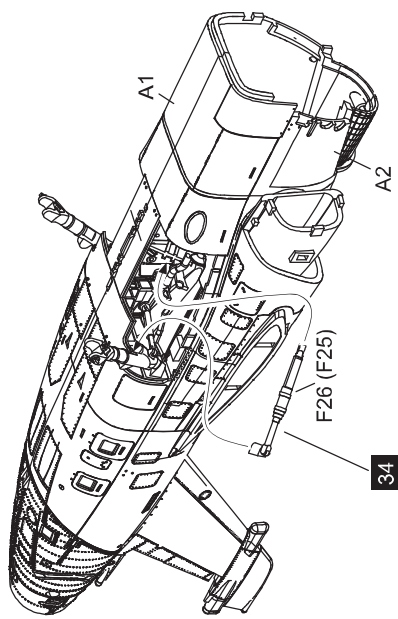




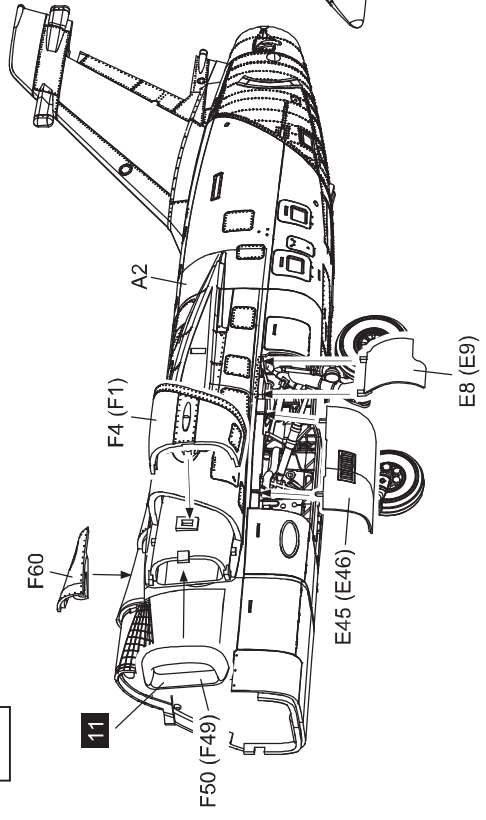
9



10

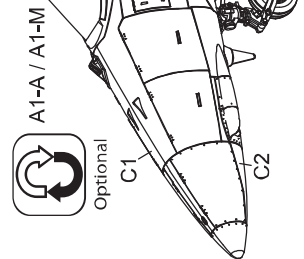
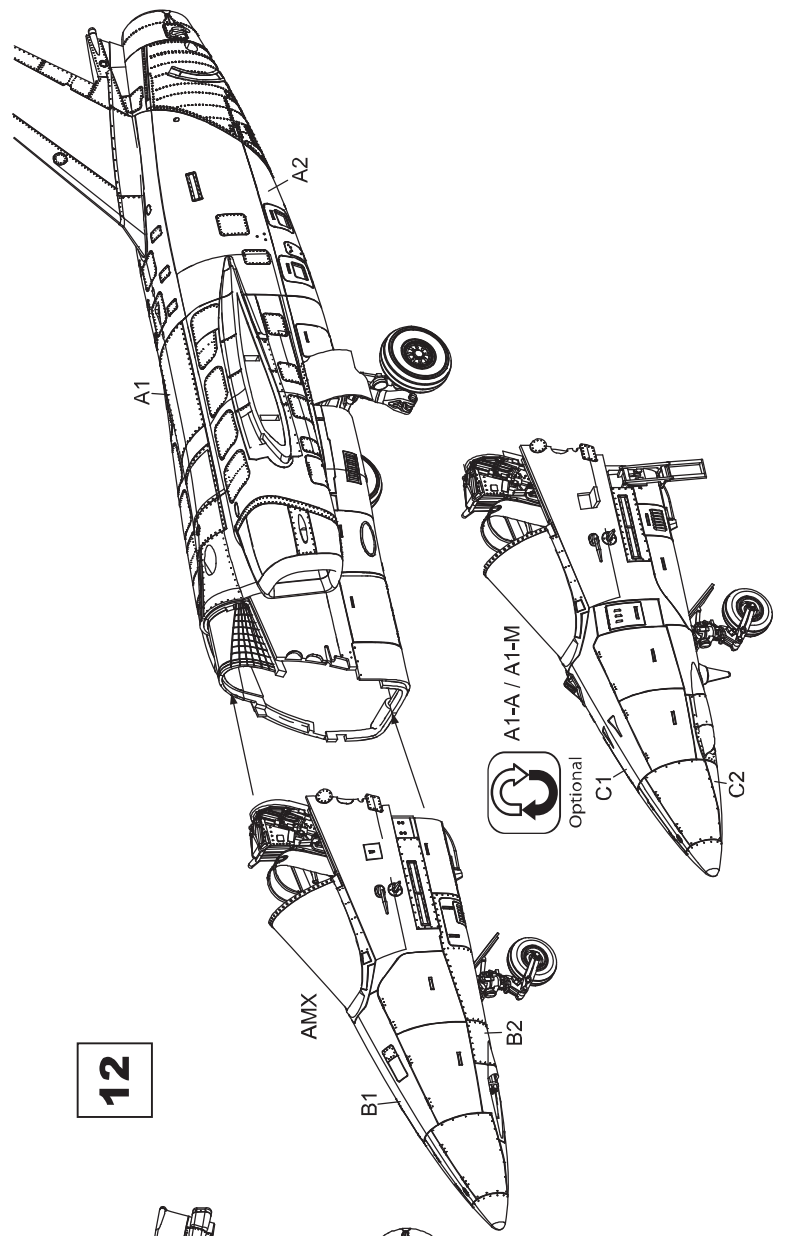


11



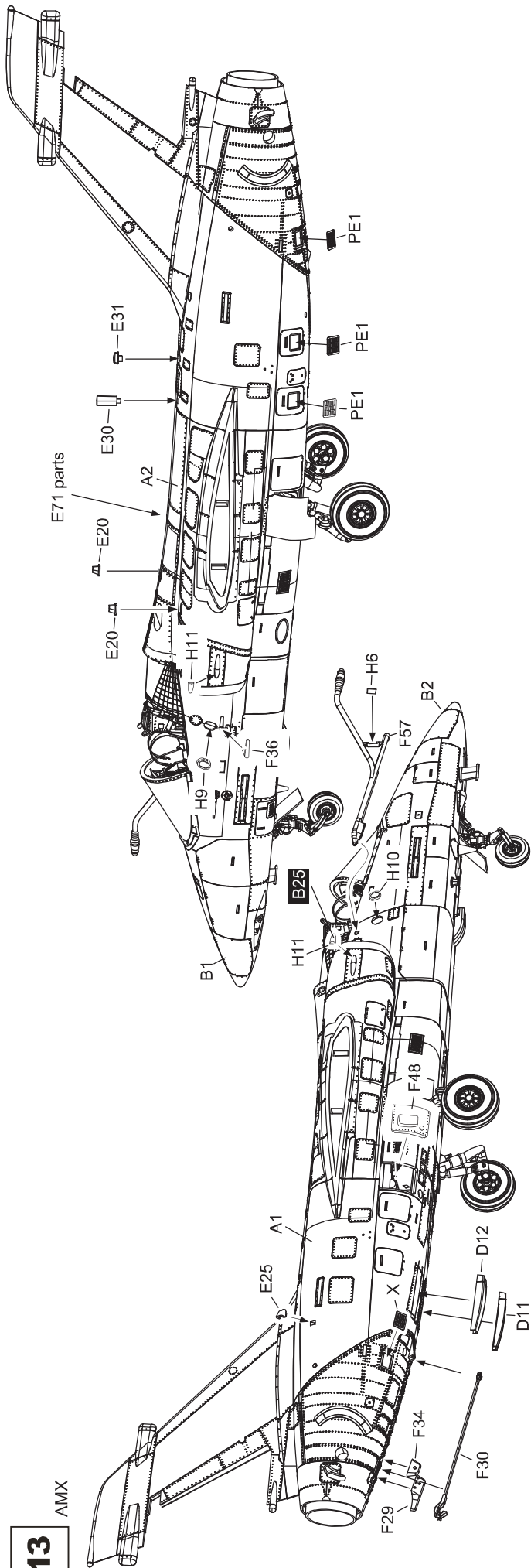
11

12



13

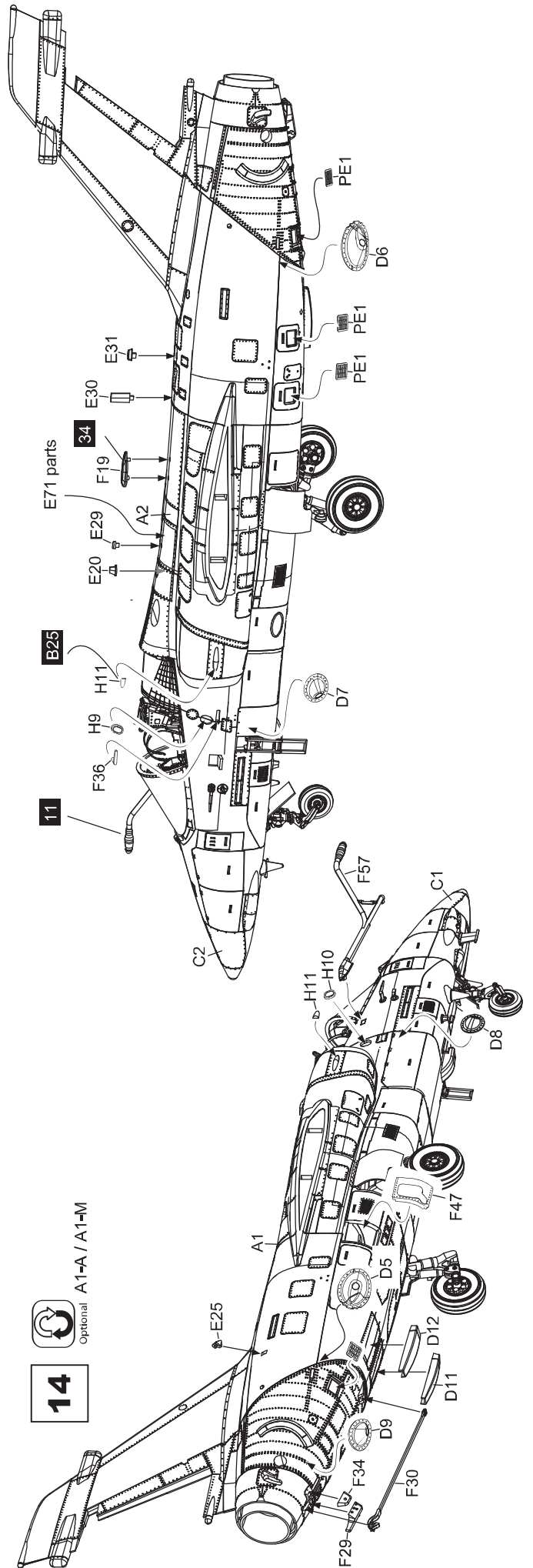
AMX



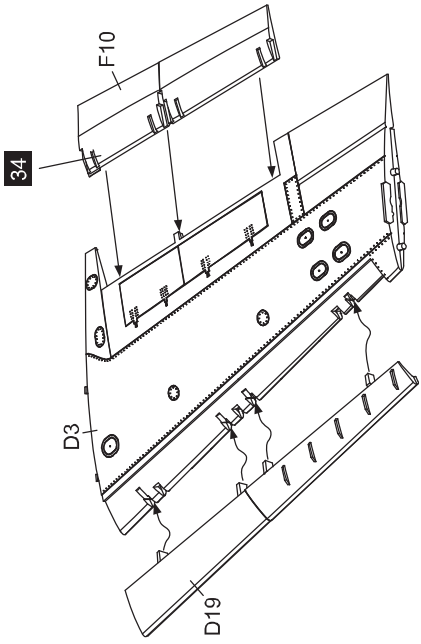
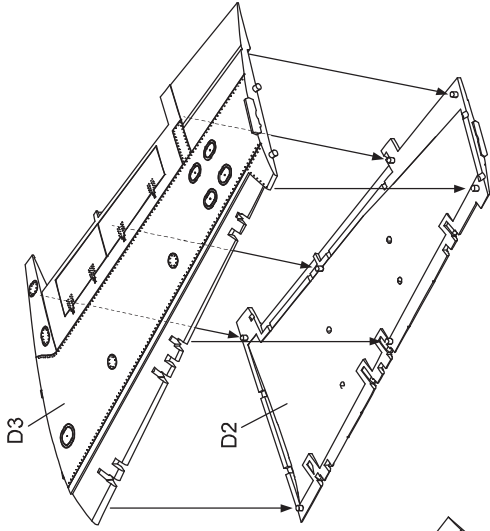
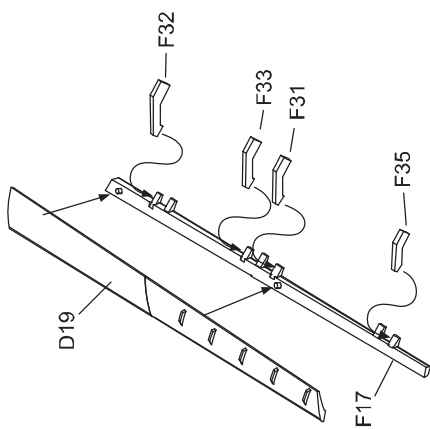
14



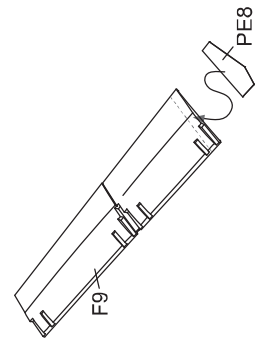
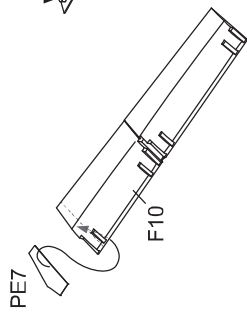
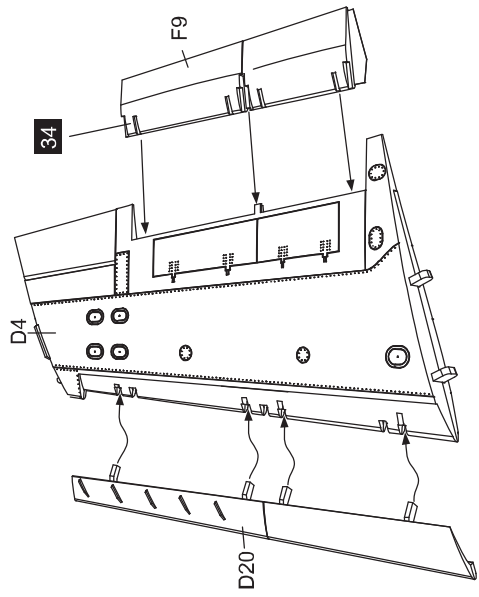
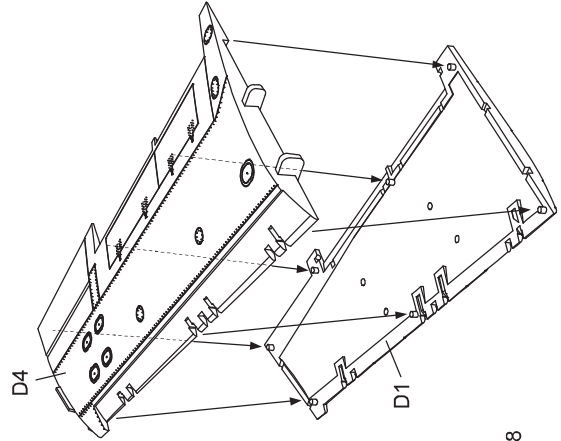
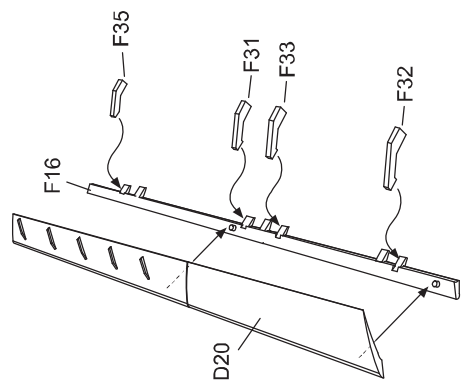
Optional A1-A / A1-M



Left Wing



Right Wing

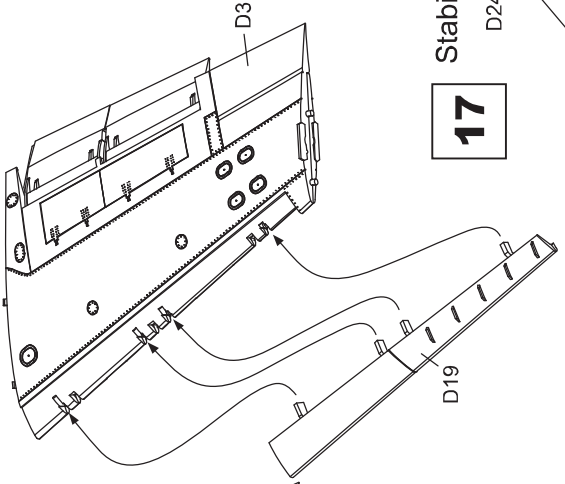
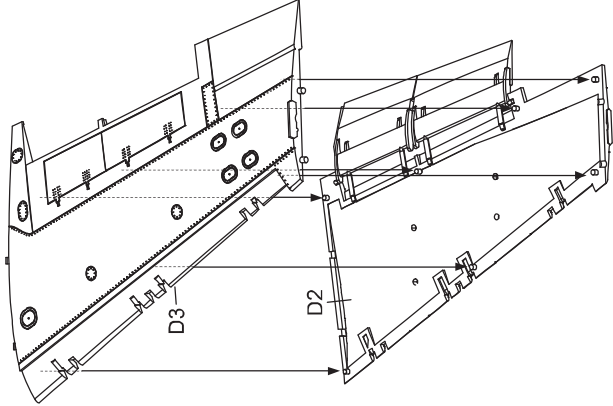
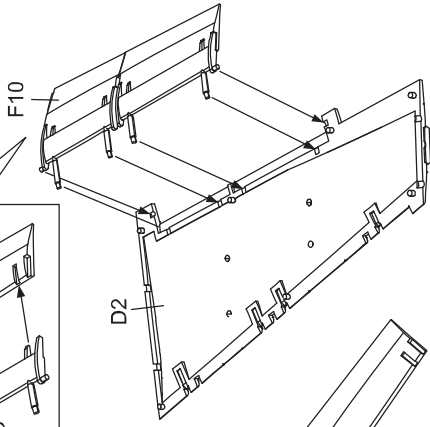
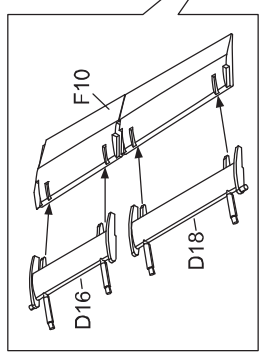
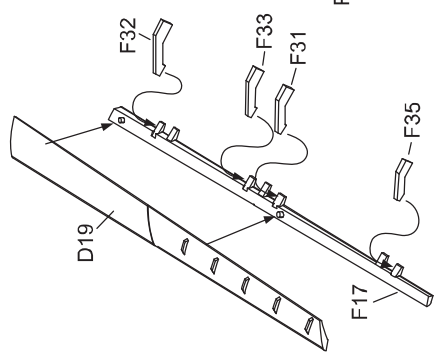




Extended Flaps

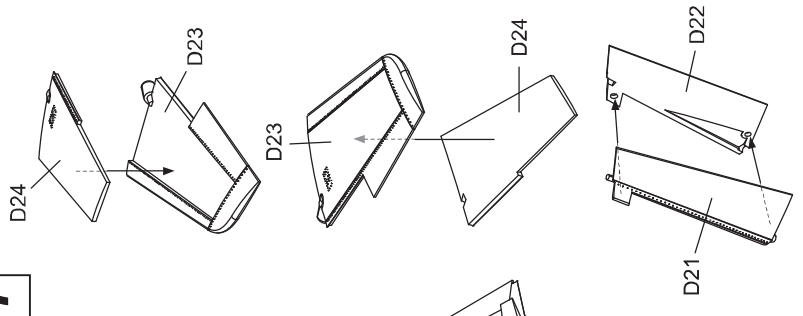
16

Left Wing

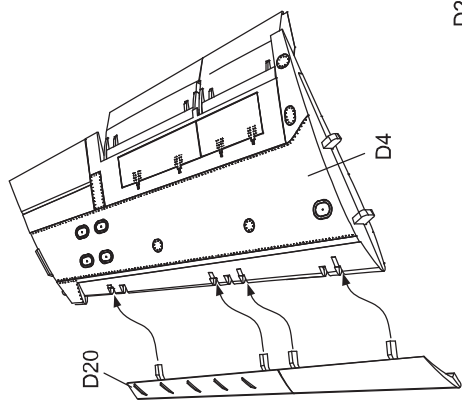
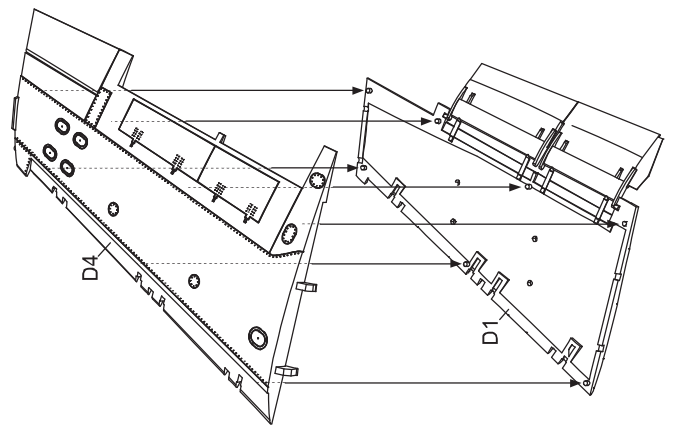
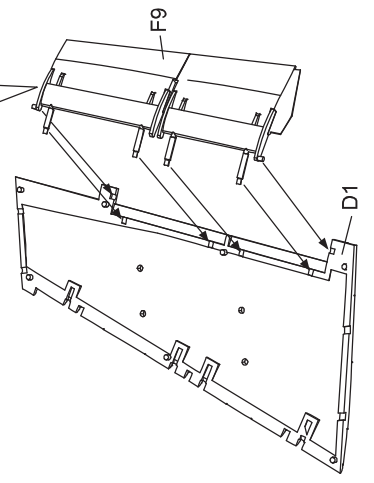
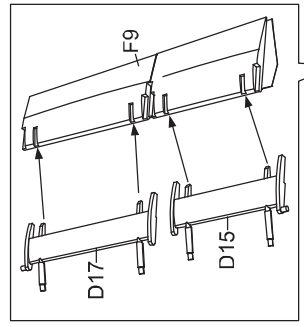
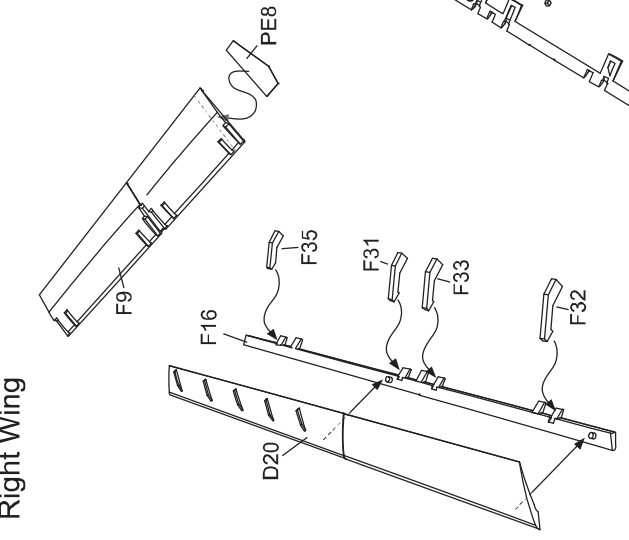


17

Stabilizer / Rudder

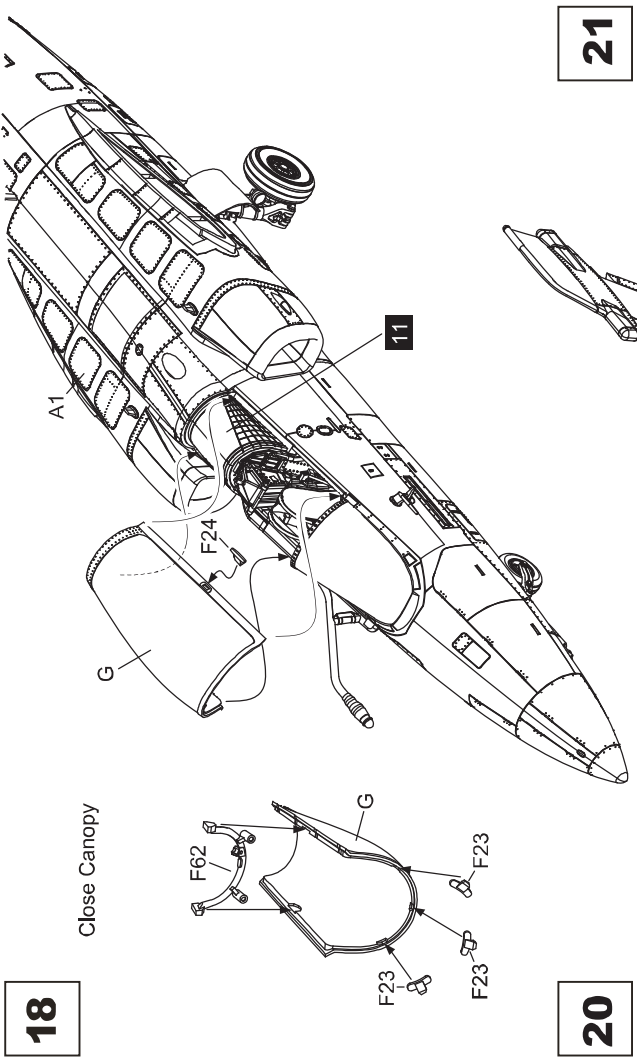
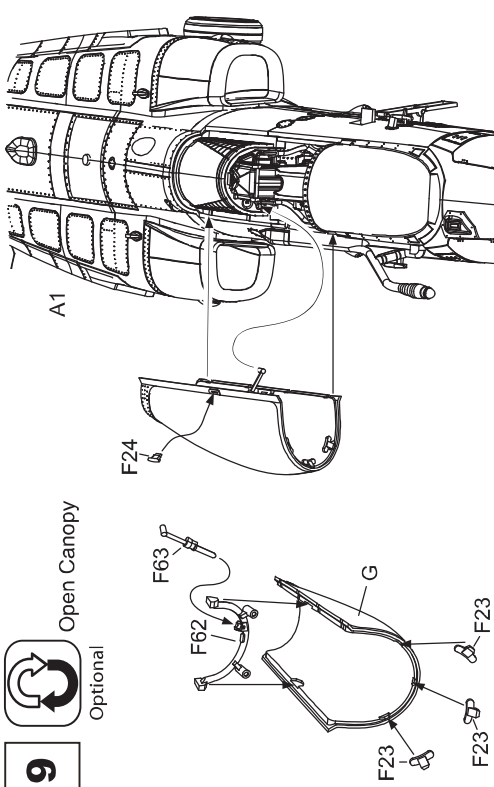


Right Wing



19

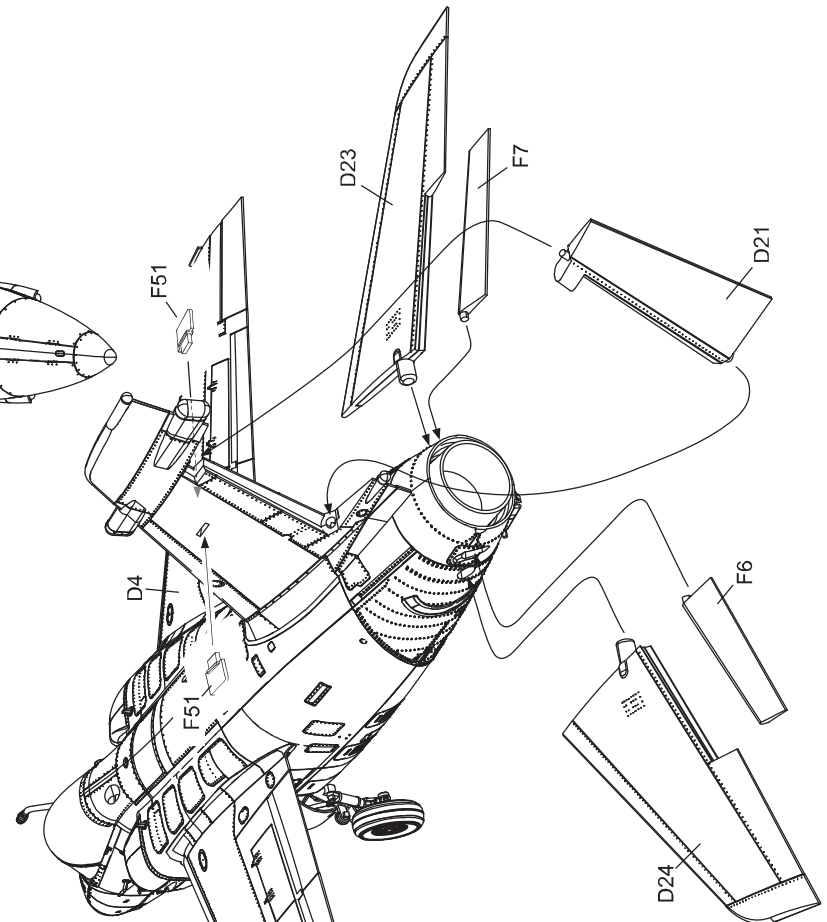
Optional
Open Canopy



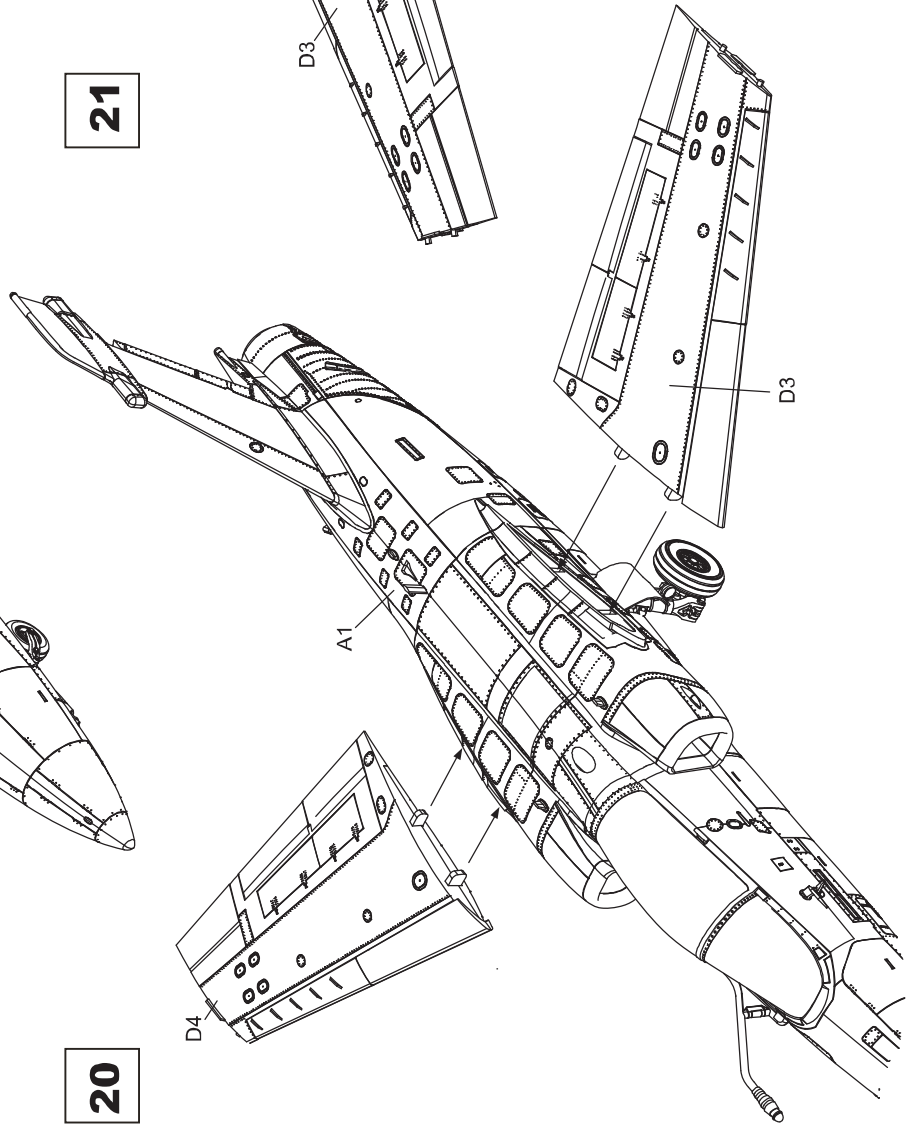
18

Close Canopy

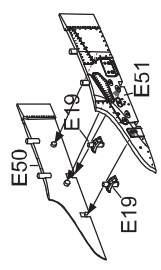
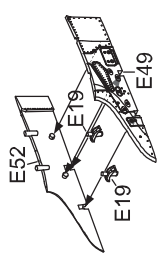
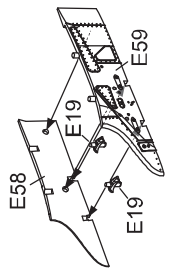
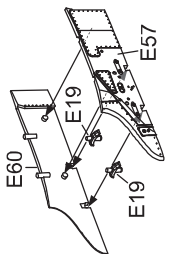
21



20



22



x2
2 Set

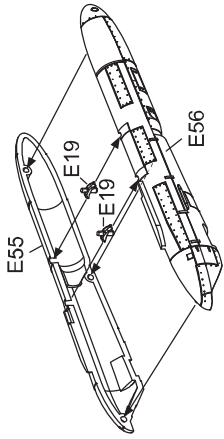
M3



Optional

D14

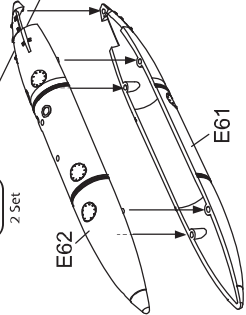
For AMX-TM



580 Lts Tank

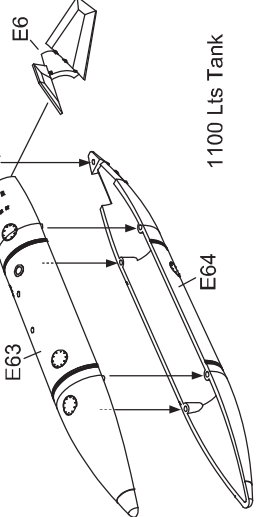
x2
2 Set

E2



x2
2 Set

E7



1100 Lts Tank

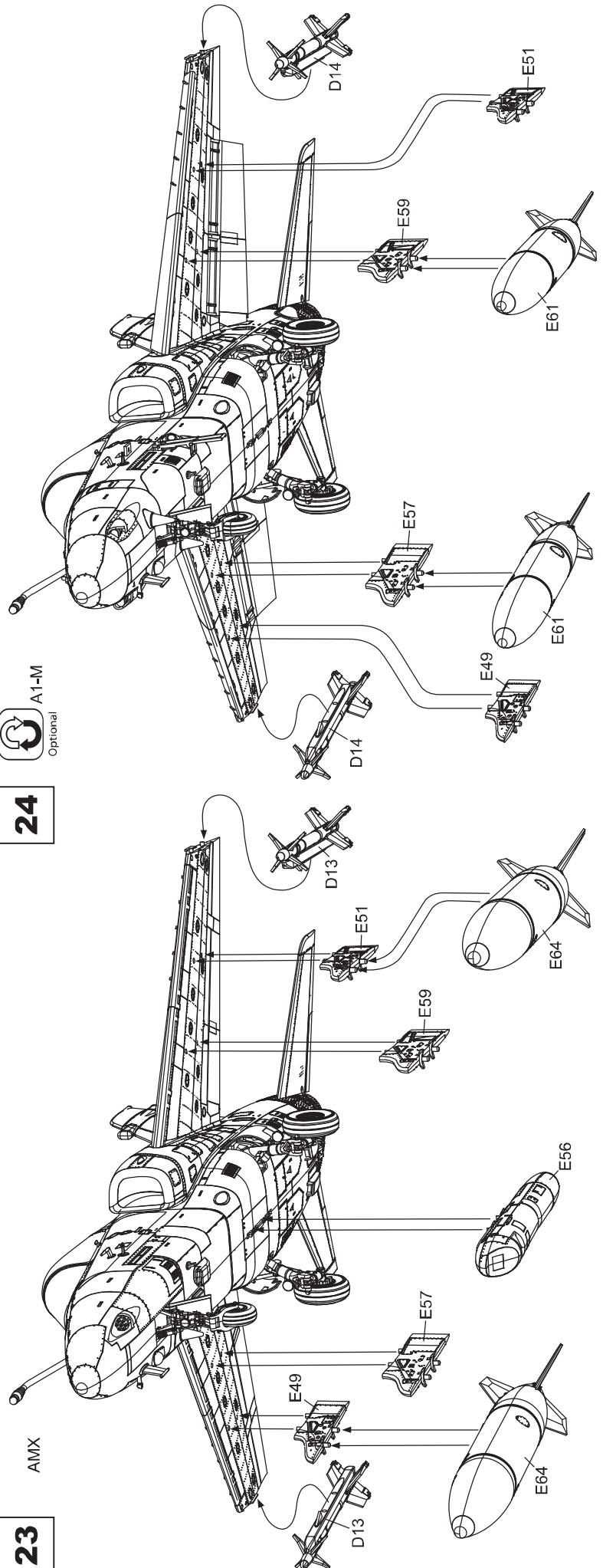
23

AMX

24

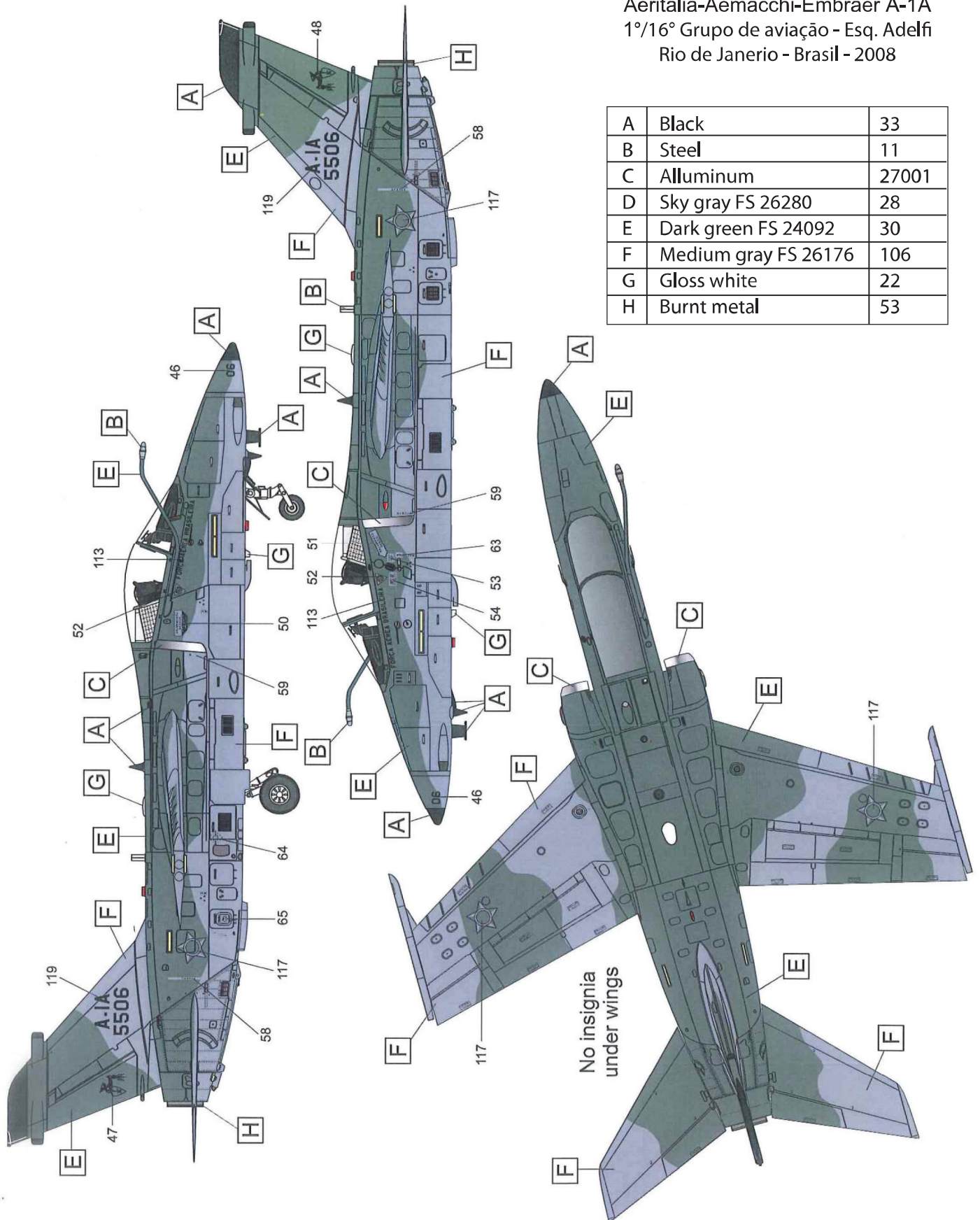
Optional

A1-M



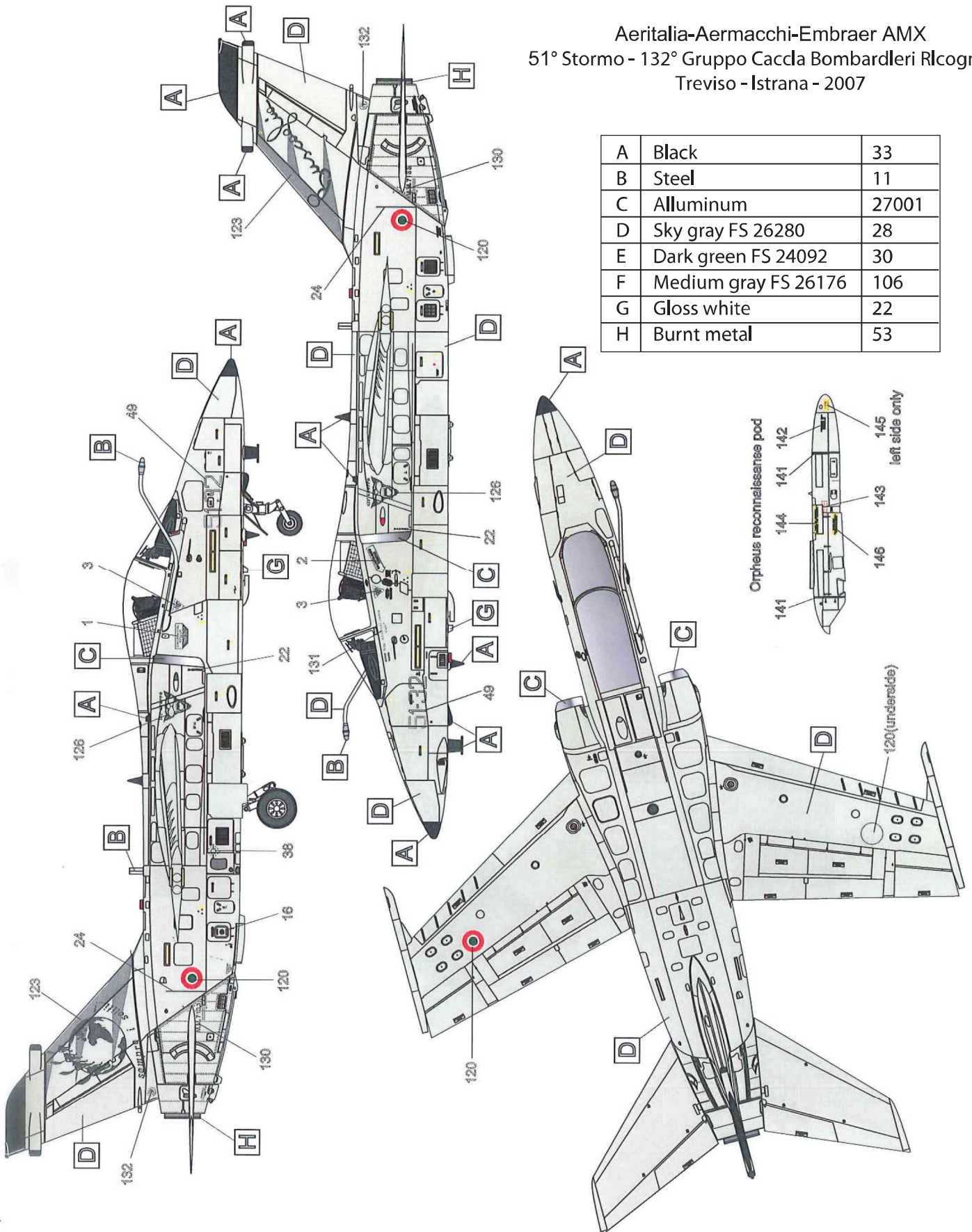
Aeritalia-Aemacchi-Embraer A-1A
1º/16º Grupo de aviação - Esq. Adelfi
Rio de Janeiro - Brasil - 2008

A	Black	33
B	Steel	11
C	Aluminum	27001
D	Sky gray FS 26280	28
E	Dark green FS 24092	30
F	Medium gray FS 26176	106
G	Gloss white	22
H	Burnt metal	53



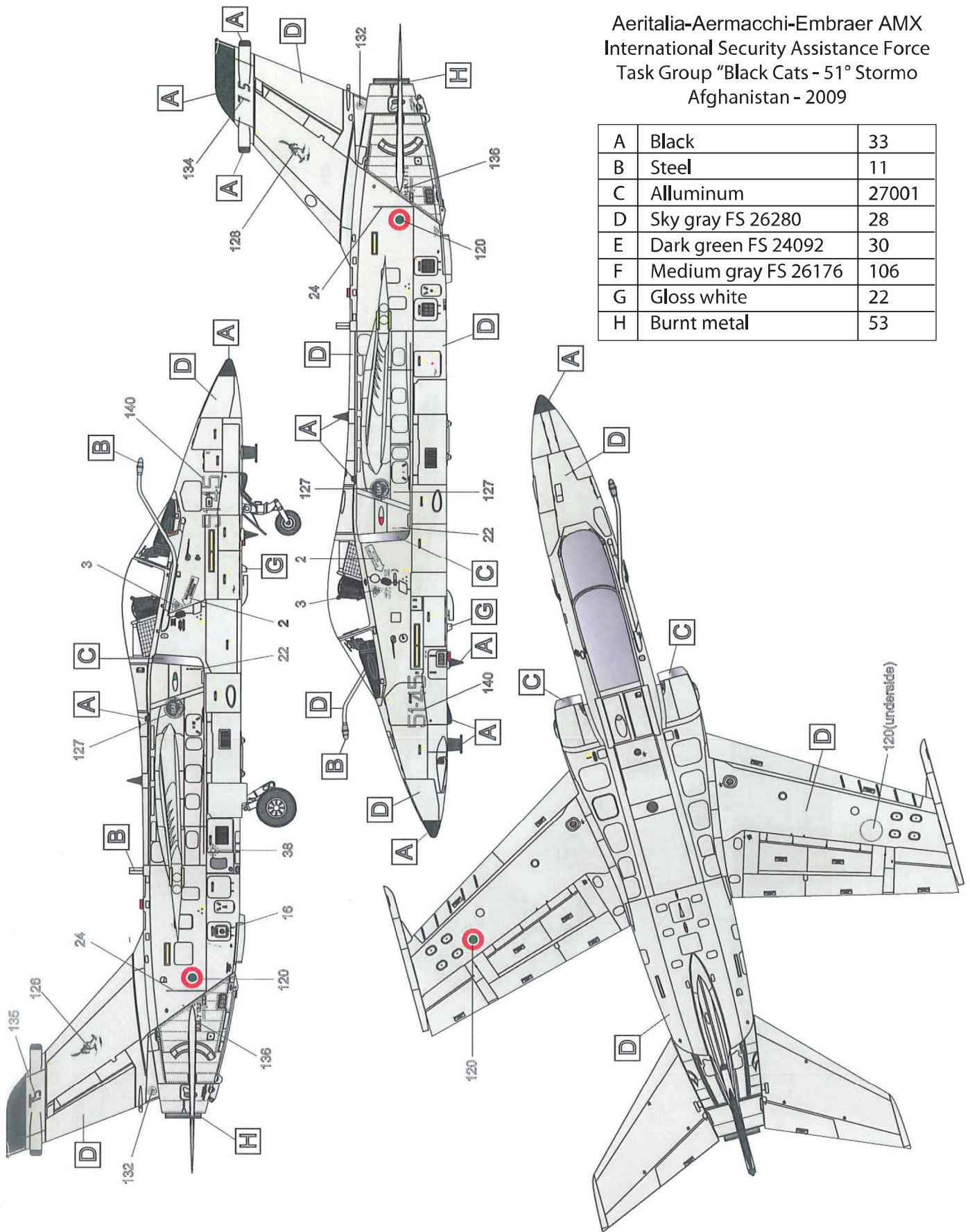
Aeritalia-Aermacchi-Embraer AMX
51° Stormo - 132° Gruppo Caccla Bombardleri Rlcognitori
Treviso - Istrana - 2007

A	Black	33
B	Steel	11
C	Alluminum	27001
D	Sky gray FS 26280	28
E	Dark green FS 24092	30
F	Medium gray FS 26176	106
G	Gloss white	22
H	Burnt metal	53



Aeritalia-Aermacchi-Embraer AMX
International Security Assistance Force
Task Group "Black Cats - 51° Stormo
Afghanistan - 2009

A	Black	33
B	Steel	11
C	Aluminum	27001
D	Sky gray FS 26280	28
E	Dark green FS 24092	30
F	Medium gray FS 26176	106
G	Gloss white	22
H	Burnt metal	53



Stencils for Italian AMX

