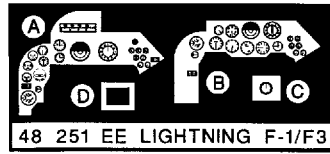
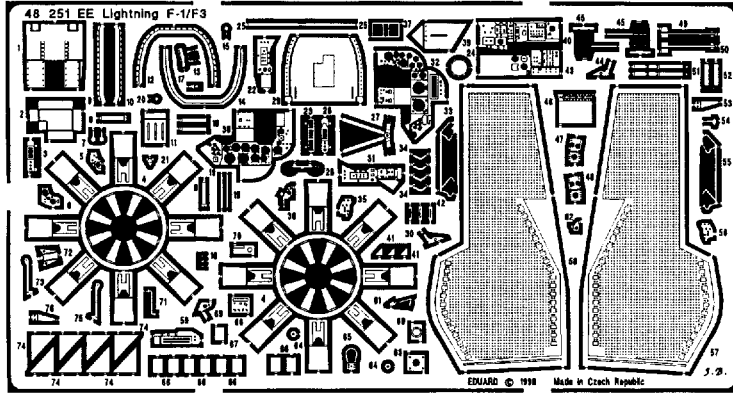







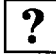


EE Lightning F-1/F3

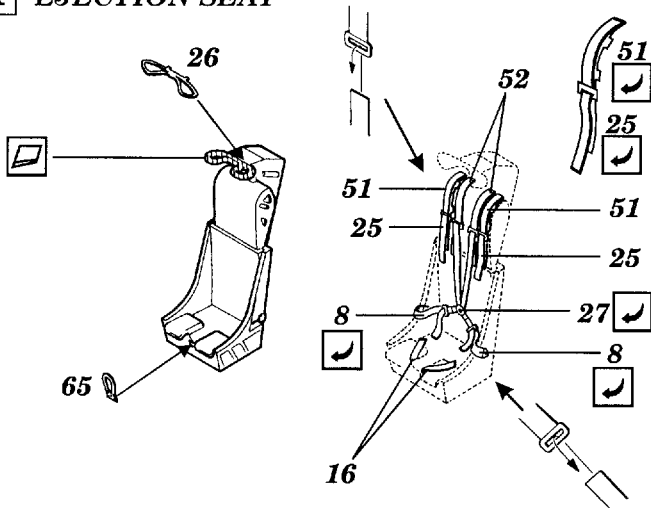
1/48 scale detail set for Airfix kit

48 251

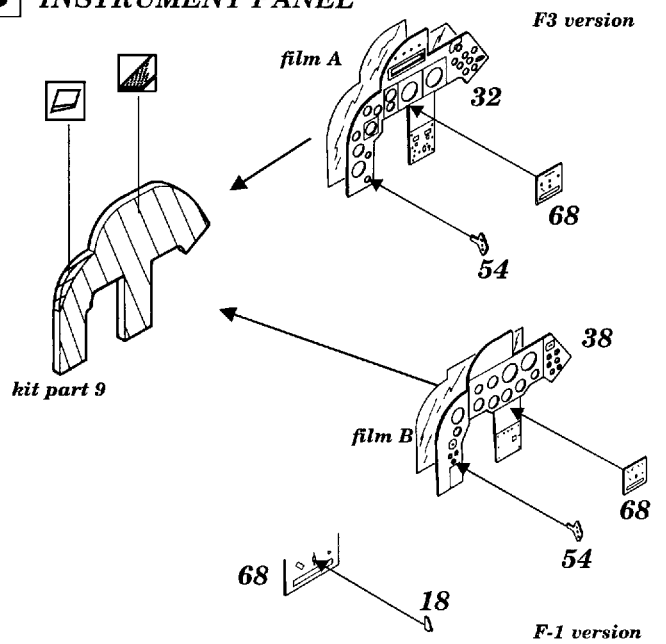


-  OPPOSITE SIDE
-  REMOVE
-  BEND
-  REPLACE
-  GRIND
-  OPTION

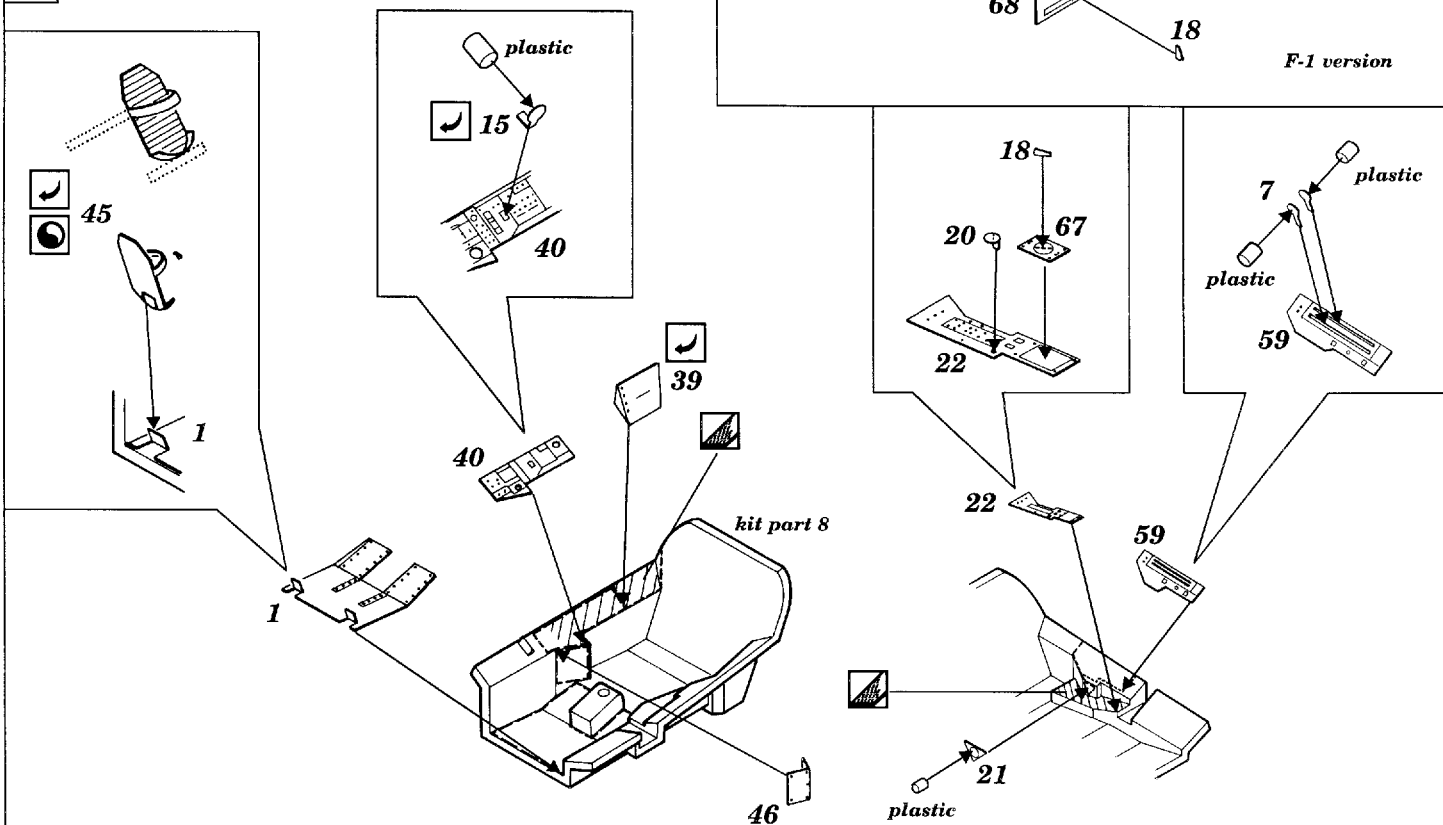
A EJECTION SEAT



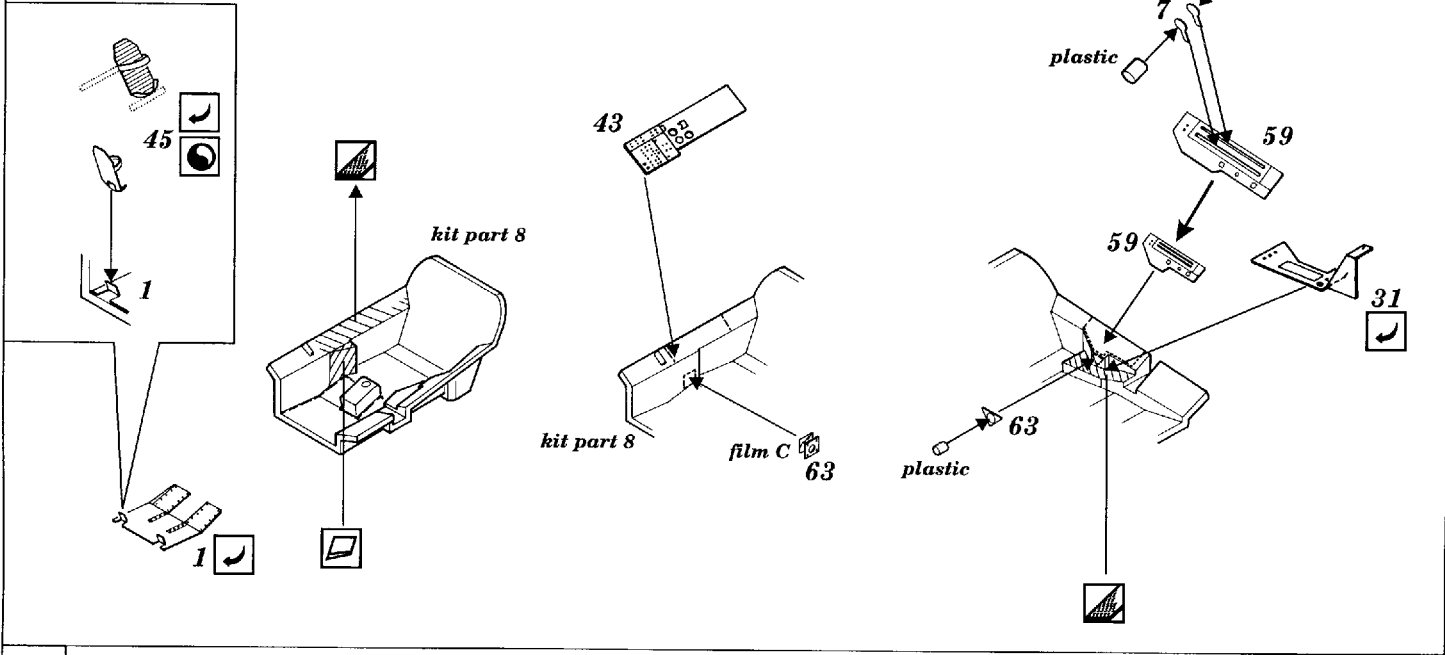
B INSTRUMENT PANEL



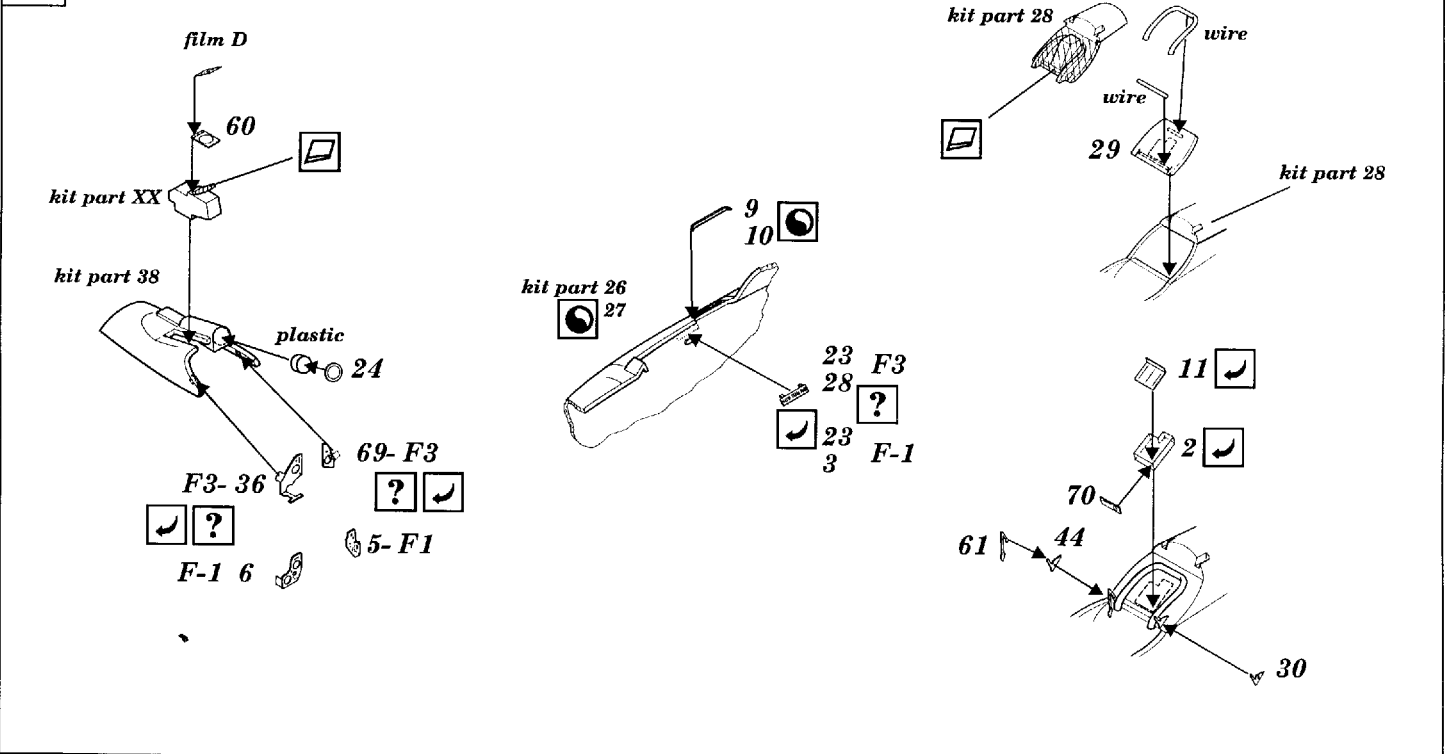
C COCKPIT-F3 version



COCKPIT- F-1 version

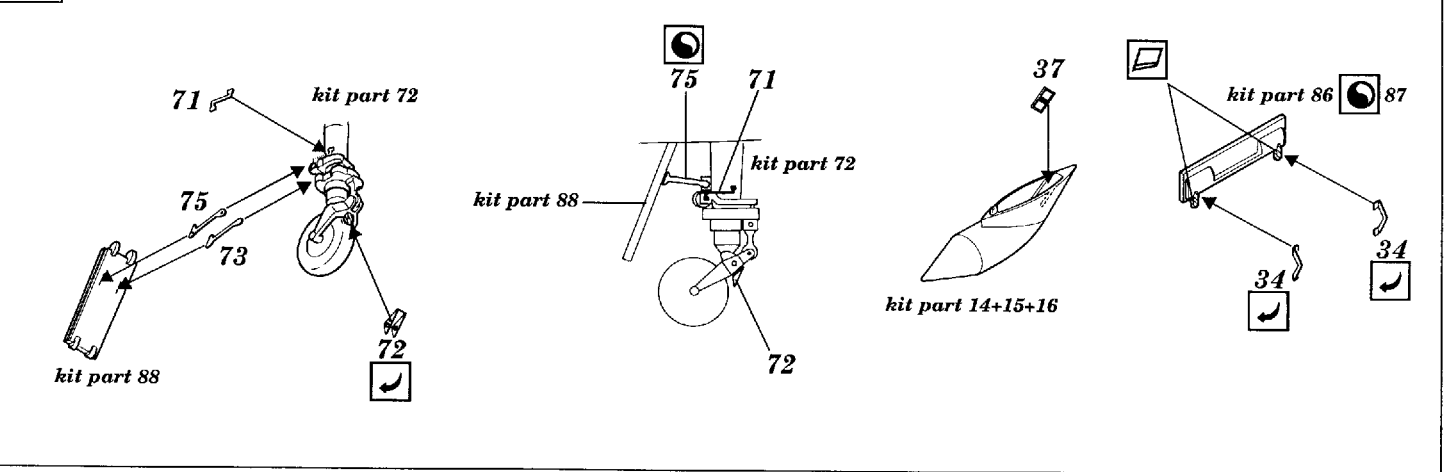


D

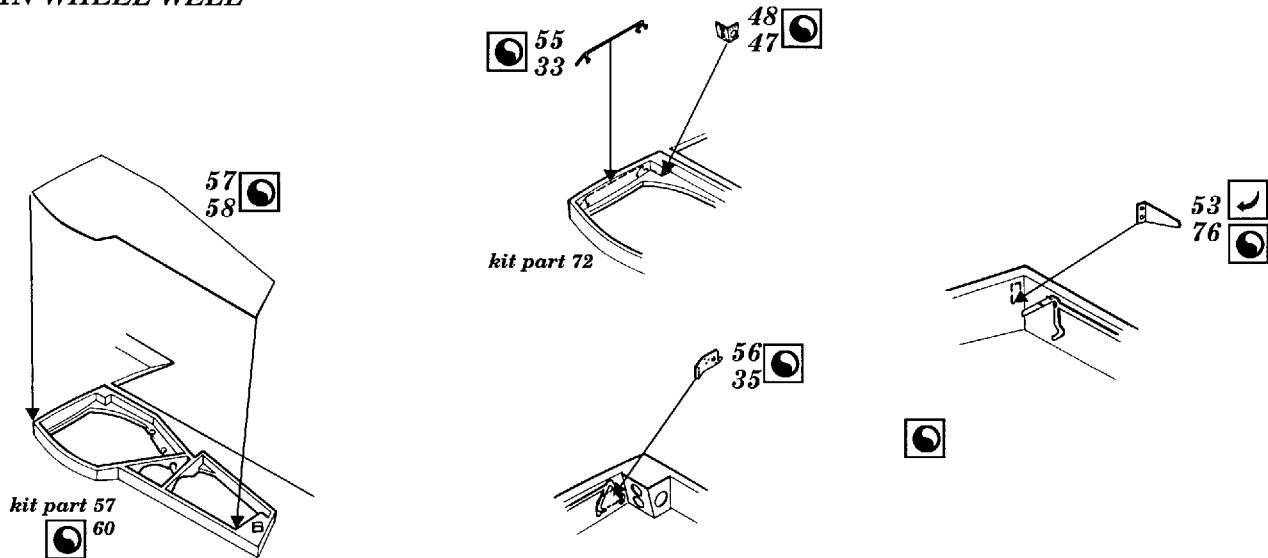


E

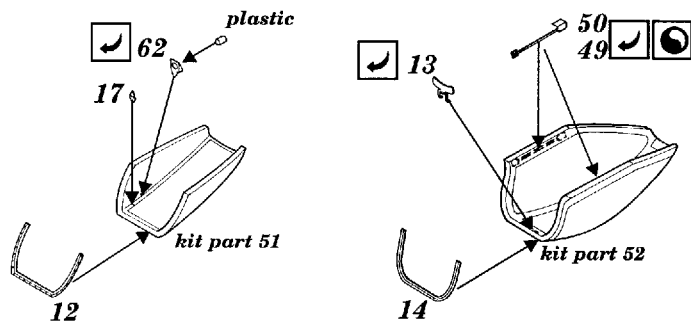
NOSE UNDERCARRIAGE



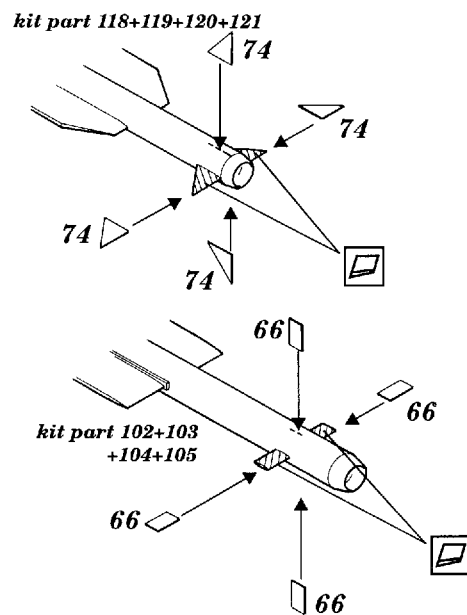
F MAIN WHEEL WELL



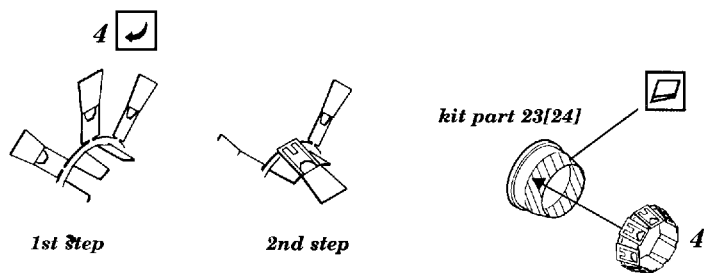
G CANOPY



I AA MISSILES



H ENGINE



J EXTERNAL PARTS

