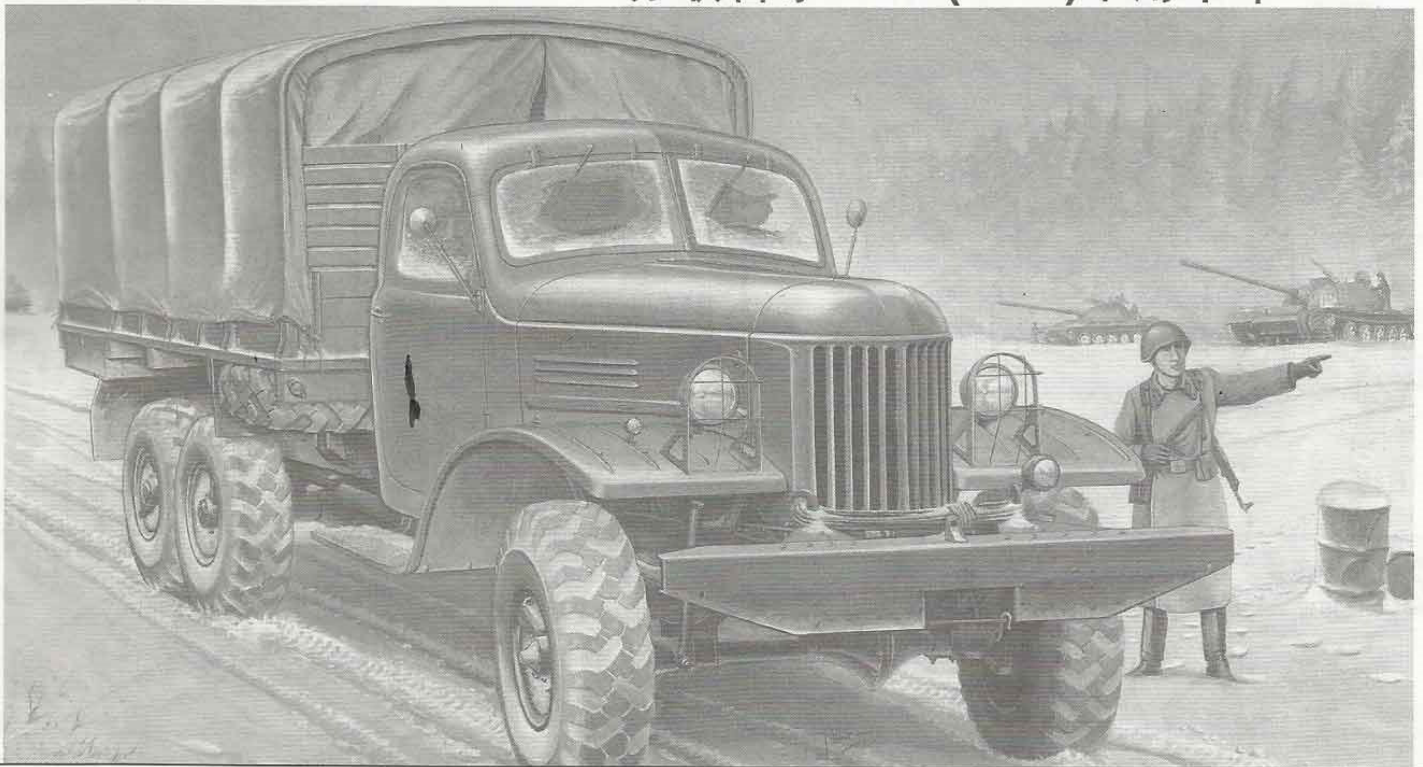


1:35 Scale

Soviet ZIL-157K militray truck

苏联吉尔157K(6×6)军用卡车



READ BEFORE ASSEMBLY

- Study and understand this instructions thoroughly before beginning assembly.
- Remove all injection pins carefully using a modeling file.
- Cut off the photo-etched parts carefully using a modeling knife. Be sure not to lose small parts.
- Apply instant cement to photo etched parts and shafts. Apply too much instant cement will cause movable parts to stick. Apply cement carefully.
- Extra care should be taken to avoid personal injury when handling the photo etched parts.
- Some parts should depend on decals. Select piror to assembly.
- Tools recommended: (Not included in this kit)
- Cement; Side cutters; Long nose pliers; Modeling knife; Modeling life; Tweezers; Pin vise; Scissors; Instant cement.
- Soft cloth and sand paper will also assist in construction.
- Glue and paints are not in cluded in the kit. Use plastic cement or paints only.
- Keep out of reach of small children. Children must not be allowed to suck any part, or pull vinyl bay over the head.

装配之前仔细阅读

- 小心用模型锉刀锉平所有零件表面的注射洗口。
- 小心用刀片切下蚀刻片零件，不要遗失小零件。
- 用强力快干胶水粘合蚀刻片零件和金属轴。过量的快干胶水使用可能导致可动零件会粘住，小心涂胶。
- 取蚀刻片时应特别注意安全，防止利边划伤手指。
- 某些零件表面需贴上水贴纸，请选择在装配的同时进行。
- 推荐模型工具(自备)：胶水，水口剪刀，长咀钳，刀片，锉刀，镊子钳，钻，剪刀，瞬间快干胶。
- 软布同砂纸同时也应该是必备工具。
- 请使用塑料胶水和油漆，模型内不含。
- 谨防小孩吸吮塑料零件，或者将塑料袋套在头上，制作时应将套材远离小孩接触。

颜色指示 COLOR

H 2 2 - 黑色	Black	H 22 13 - 灰色	Gray
H 3 3 - 红色	Red	H 77 137 - 胎黑色	Tire black
H 8 8 - 银色	Silver	H 76 61 - 烧铁色	Burnt iron
H 11 62 - 消光黑	Flat black	H 91 48 - 透明黄	Clear yellow
H 43 100 - 深红色	Wine red	H 90 47 - 透明红	Clear red
H 18 28 - 黑铁色	Black metal	H 136 - 苏式绿	Russian green
H 339 339 - 引擎灰	Engine gray	H - 铝色	Aluminium

cyanoacrylate glue
使用强力胶weight
配重make hole
钻孔cut / remove
切除bend
弯曲file / sand
锉平option
选择no cement
不涂胶水decal
贴纸

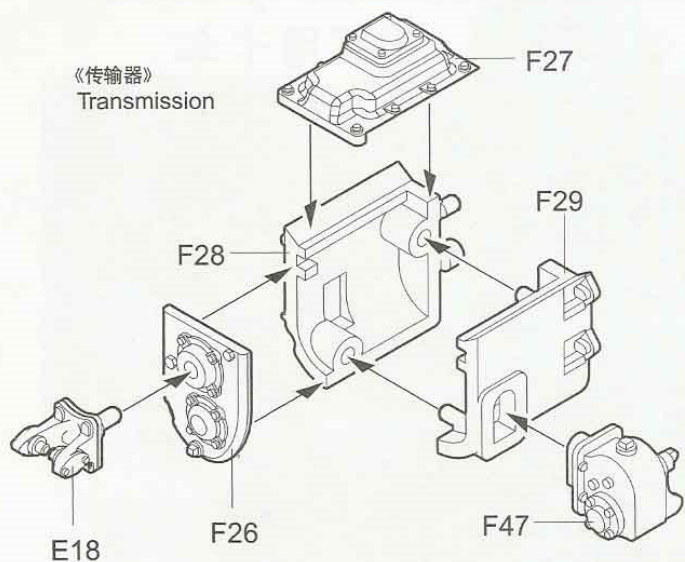
水贴纸的使用:

1. 从水贴纸上剪下印花;
2. 将印花放入温水中浸10秒, 然后放在干净布上。
3. 拿着印花纸板将印花移到模型上;
4. 手指蘸水将印花移到适当的位置;
5. 用软布轻压印花直至水干, 气泡消失。

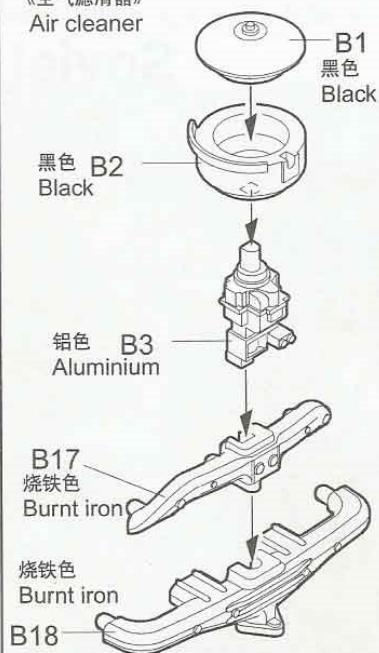
DECAL APPLICATION

1. Cut off decal from sheet.
2. Dip the decal in tepid water 40° C for about 10 sec. and place on a clean cloth.
3. Hold the backing sheet edge and slide decal onto the model.
4. Move decal into position by wetting decal with finger.
5. Press decal gently down with a soft cloth until excess water and air bubbles are gone.

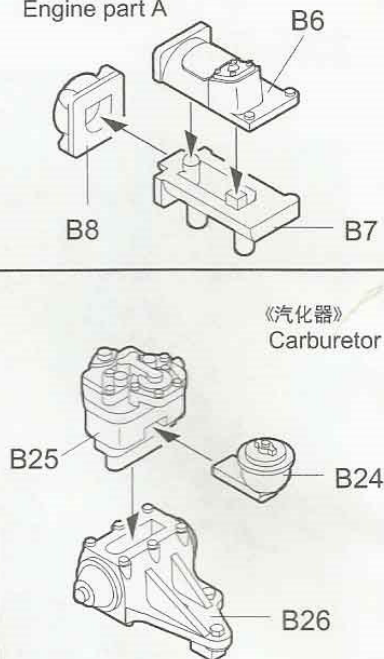
1 发动机零件组装
Engine parts assembly



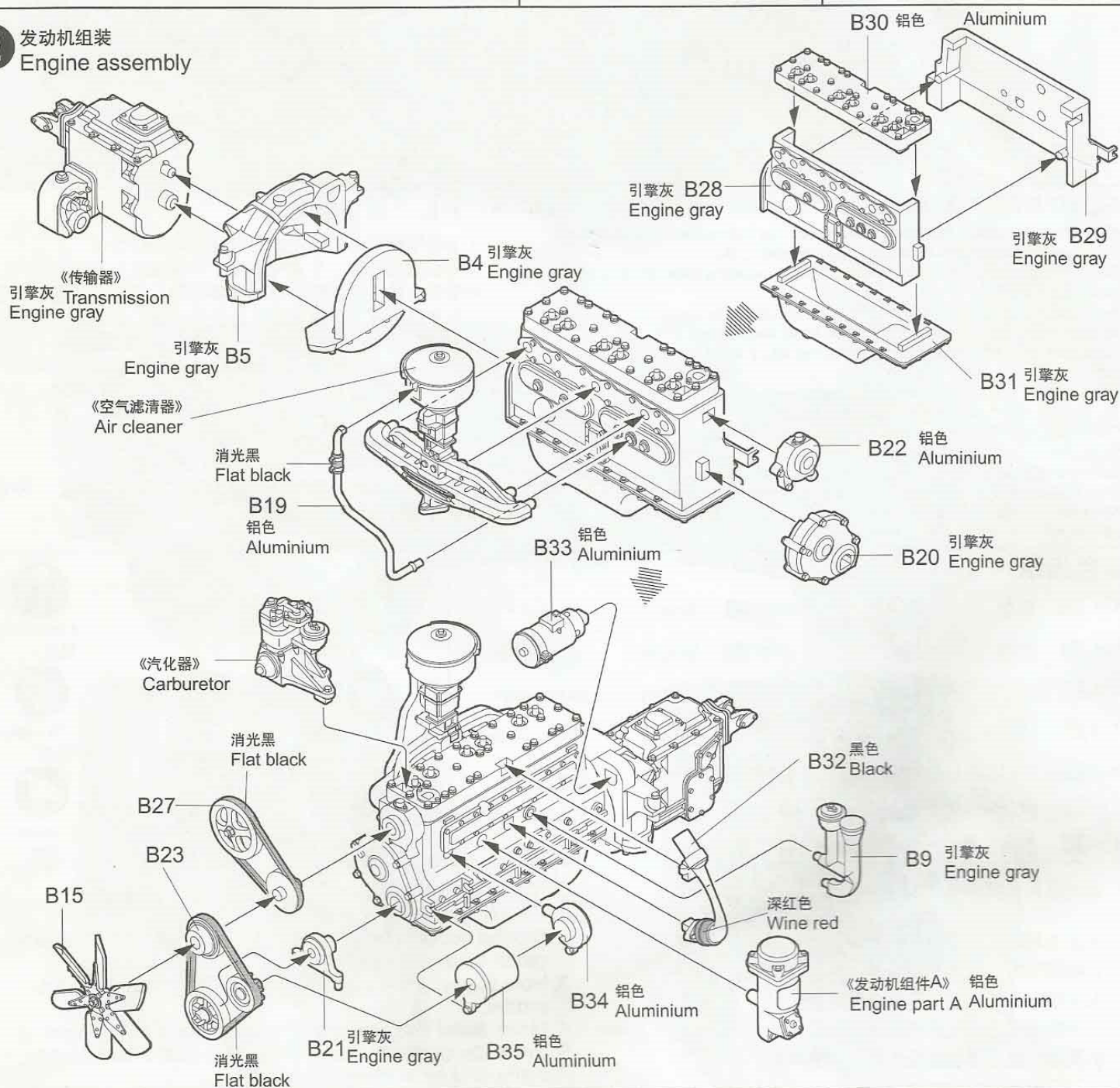
《空气滤清器》
Air cleaner



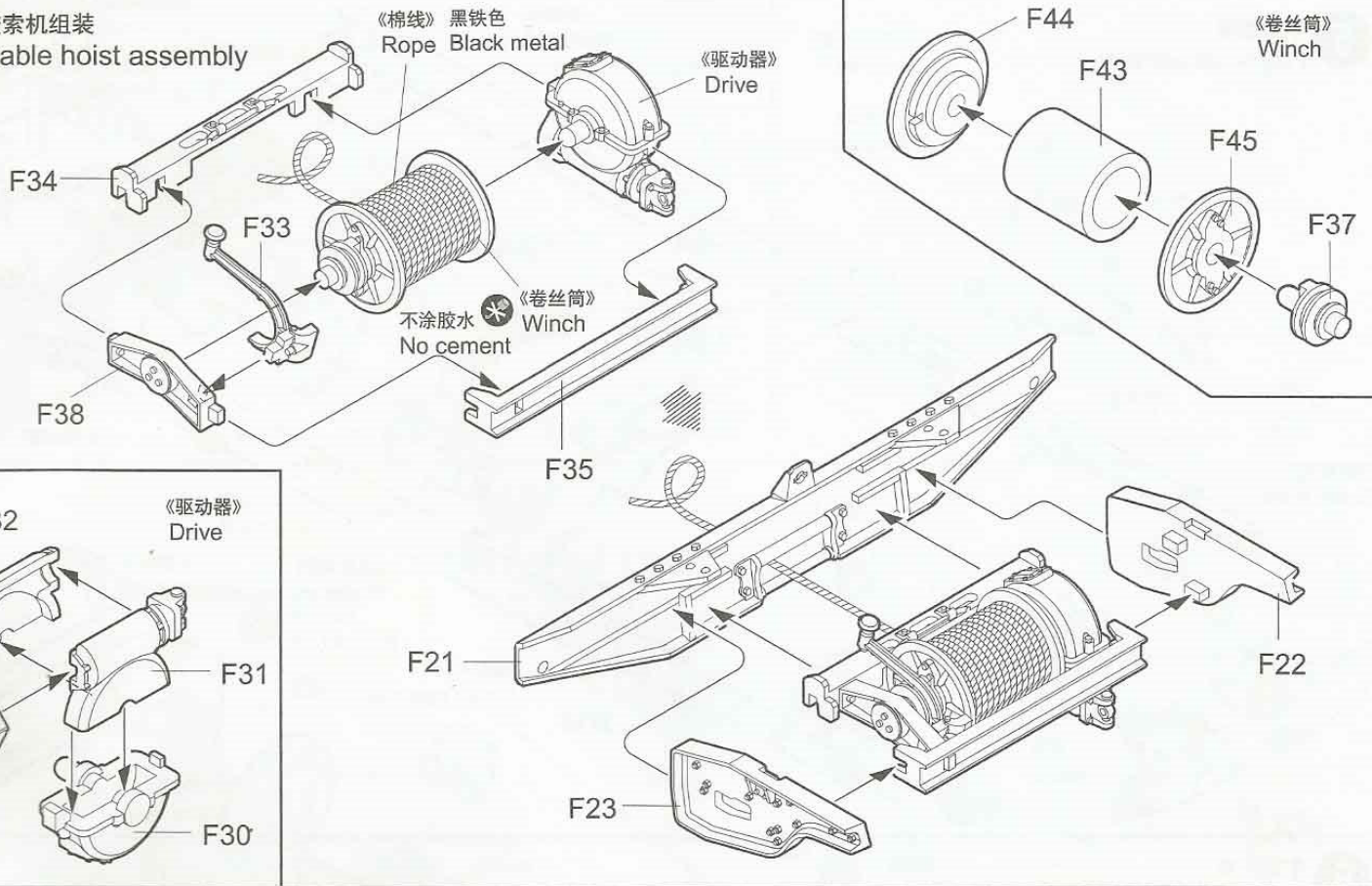
《发动机组件A》
Engine part A



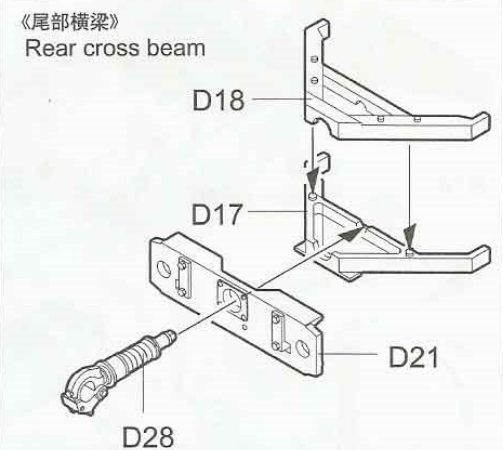
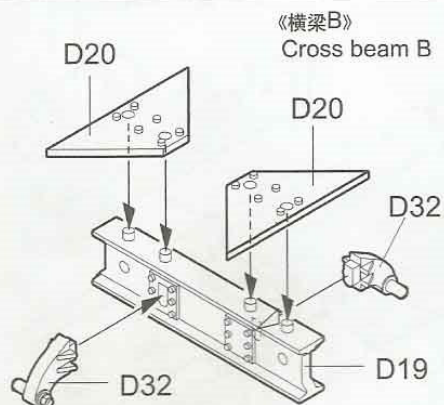
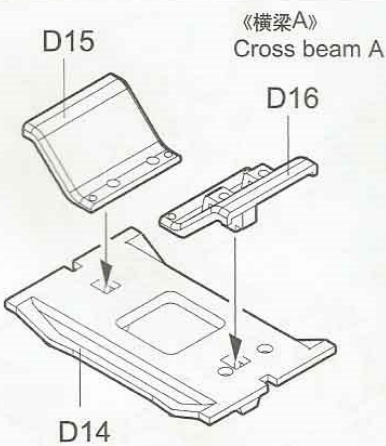
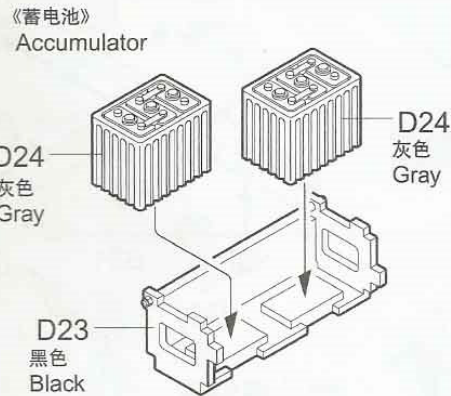
2 发动机组装
Engine assembly



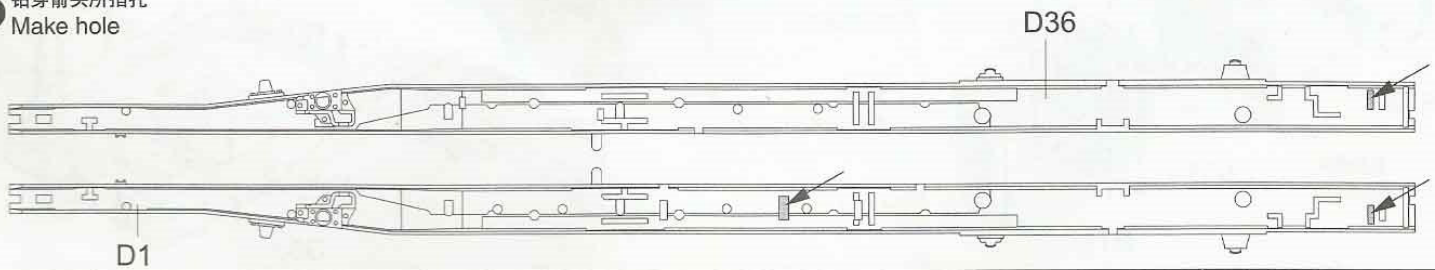
3 绞索机组装
Cable hoist assembly



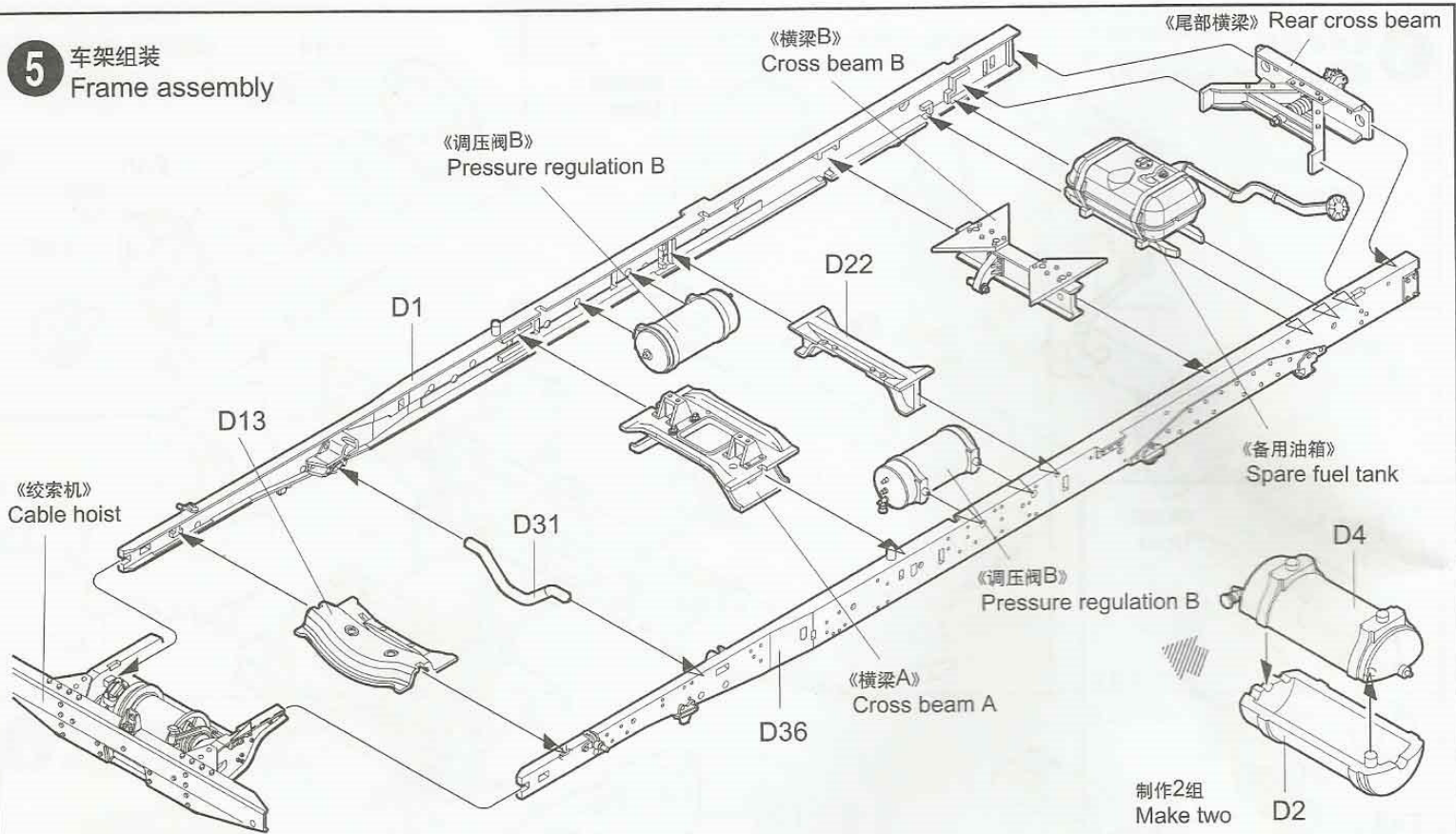
4 车架零件组装
Frame parts assembly



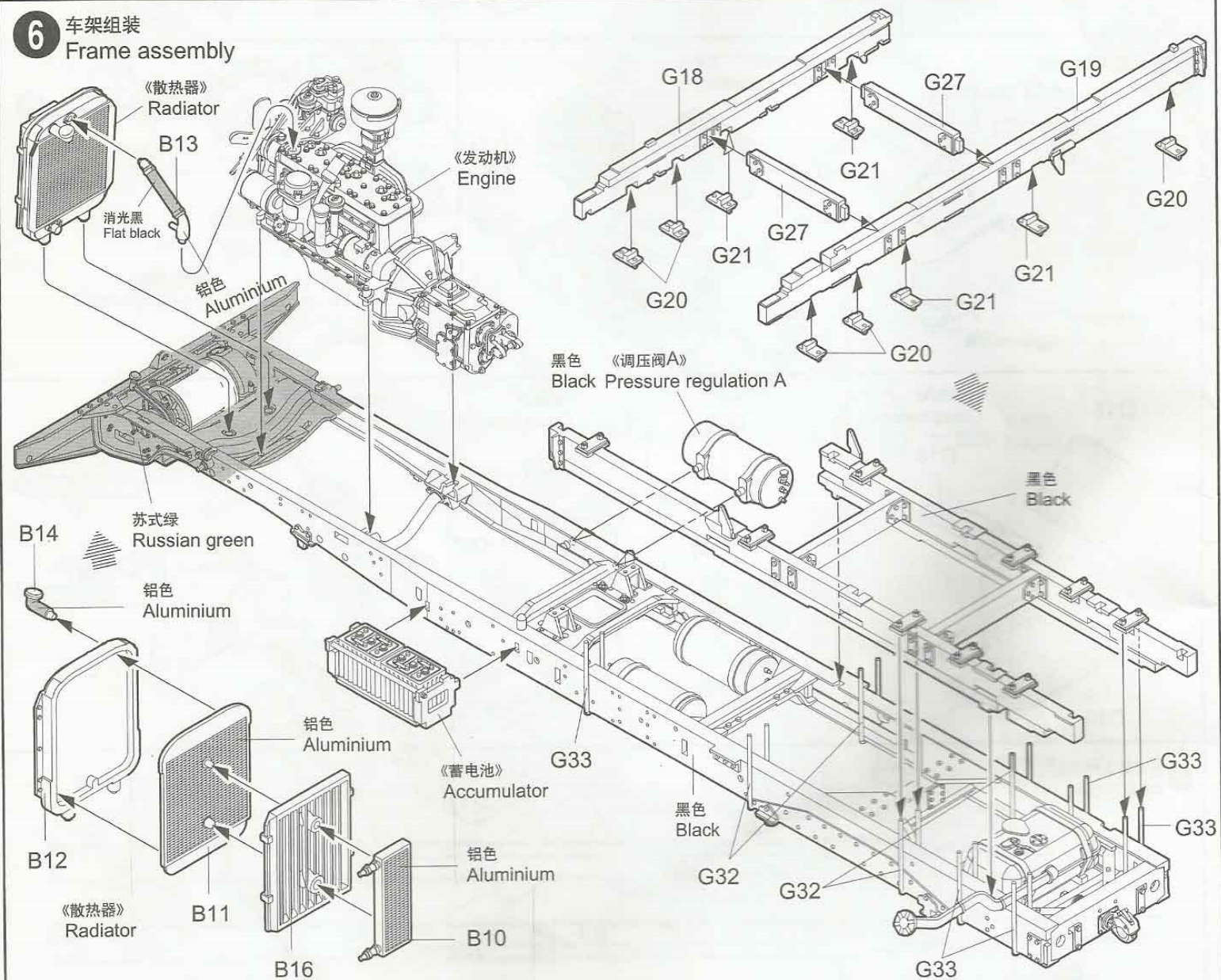
1 钻穿箭头所指孔
Make hole



5 车架组装
Frame assembly



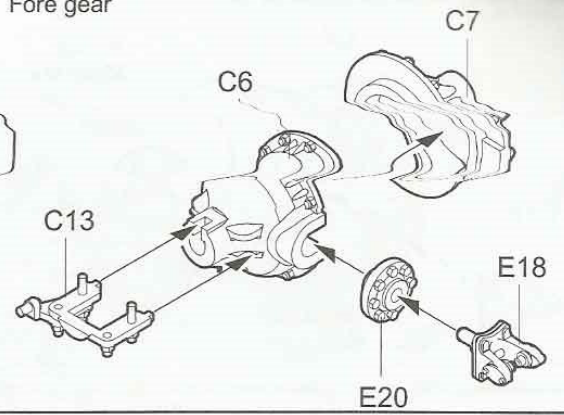
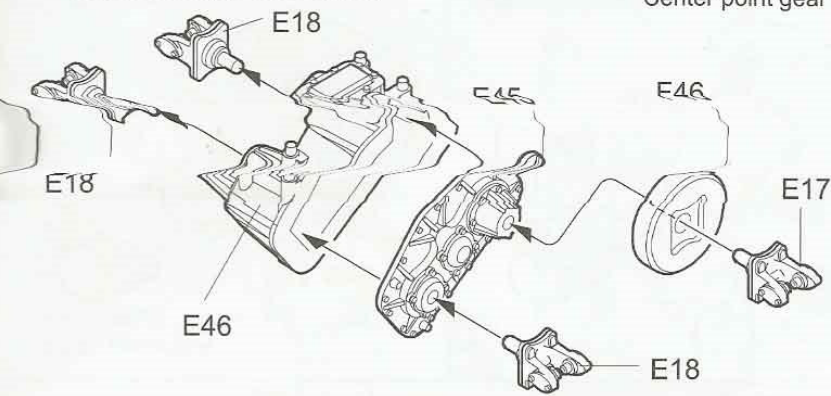
6 车架组装
Frame assembly



7 前桥零件组装
Front axle part assembly

《中桥过桥齿箱》
Center point gear

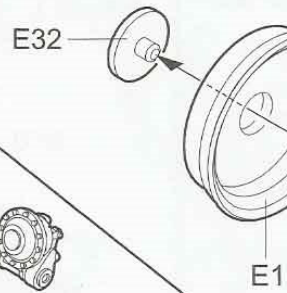
《前桥减速器》
Fore gear



《左前轮》
Left front wheel

不涂胶水
No cement

不涂胶水
No cement

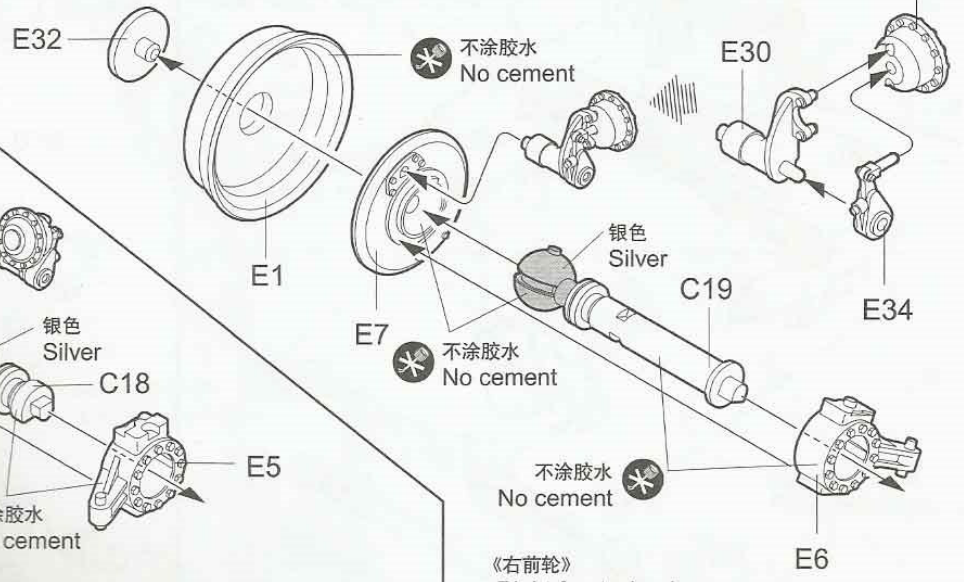
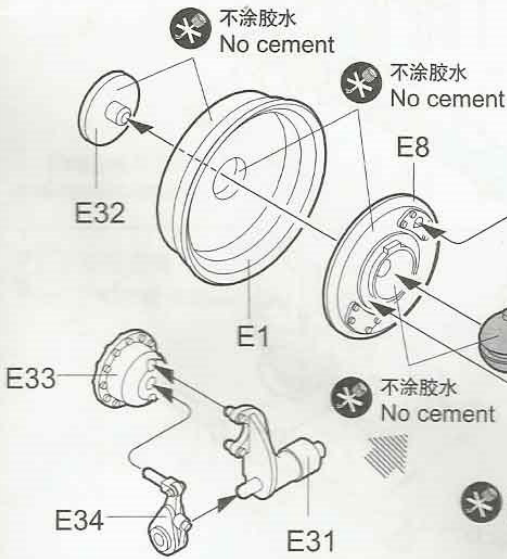


不涂胶水
No cement

不涂胶水
No cement

不涂胶水
No cement

《右前轮》
Right front wheel

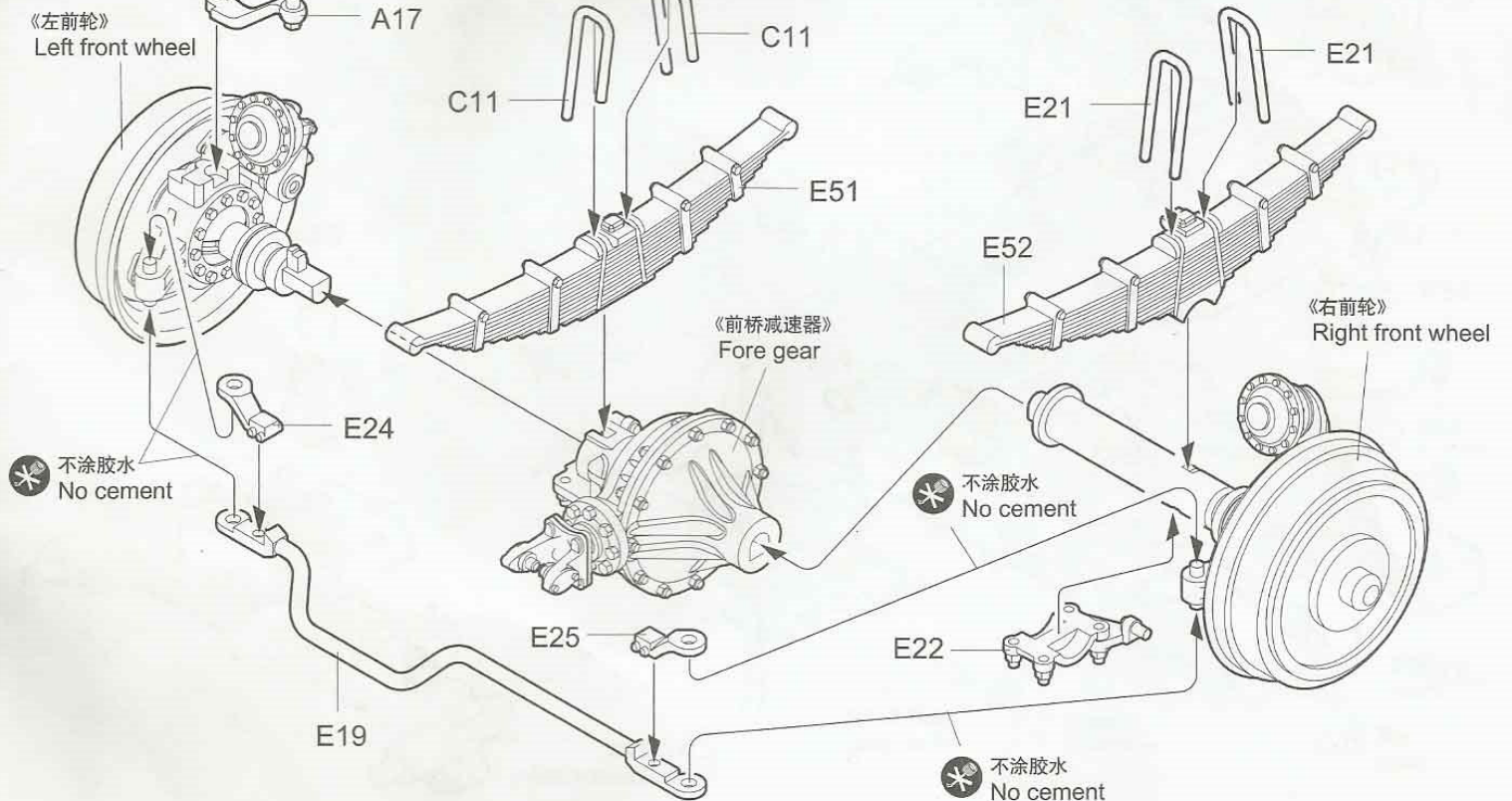


8 前桥组装
Front axle assembly

《左前轮》
Left front wheel

《前桥减速器》
Fore gear

《右前轮》
Right front wheel



不涂胶水
No cement

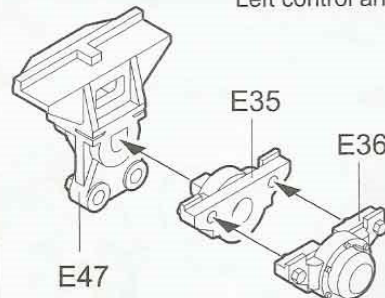
不涂胶水
No cement

不涂胶水
No cement

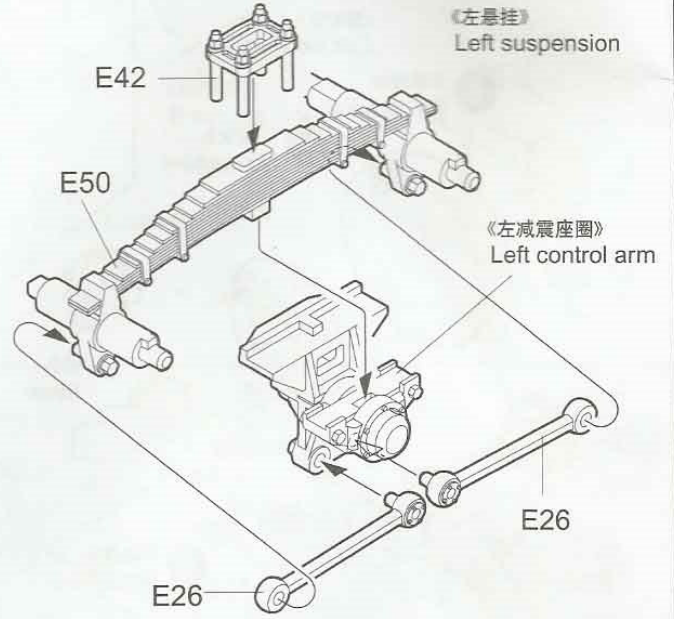
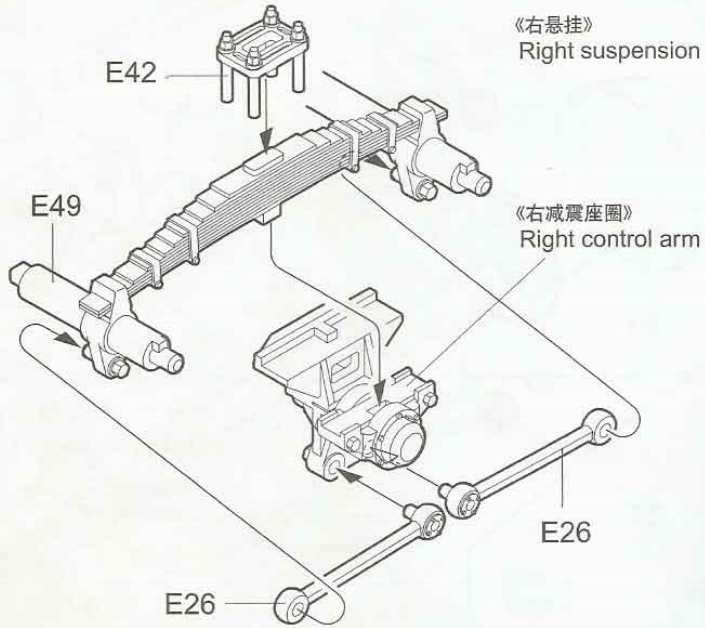
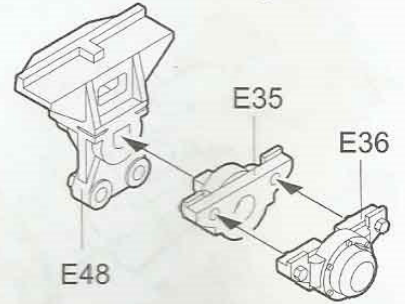
9 后桥零件组装
Rear axle part assembly



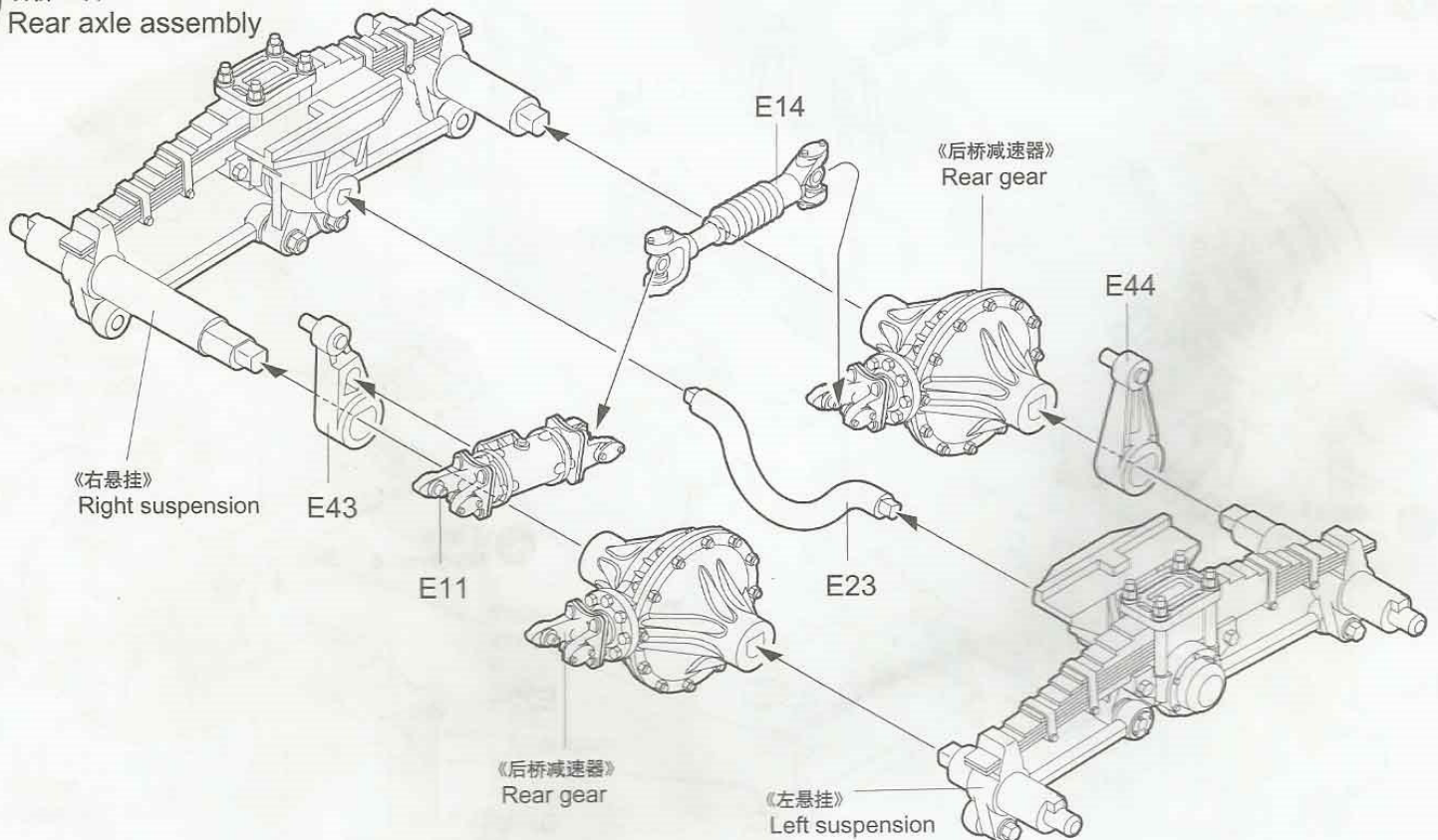
《左减震座圈》
Left control arm



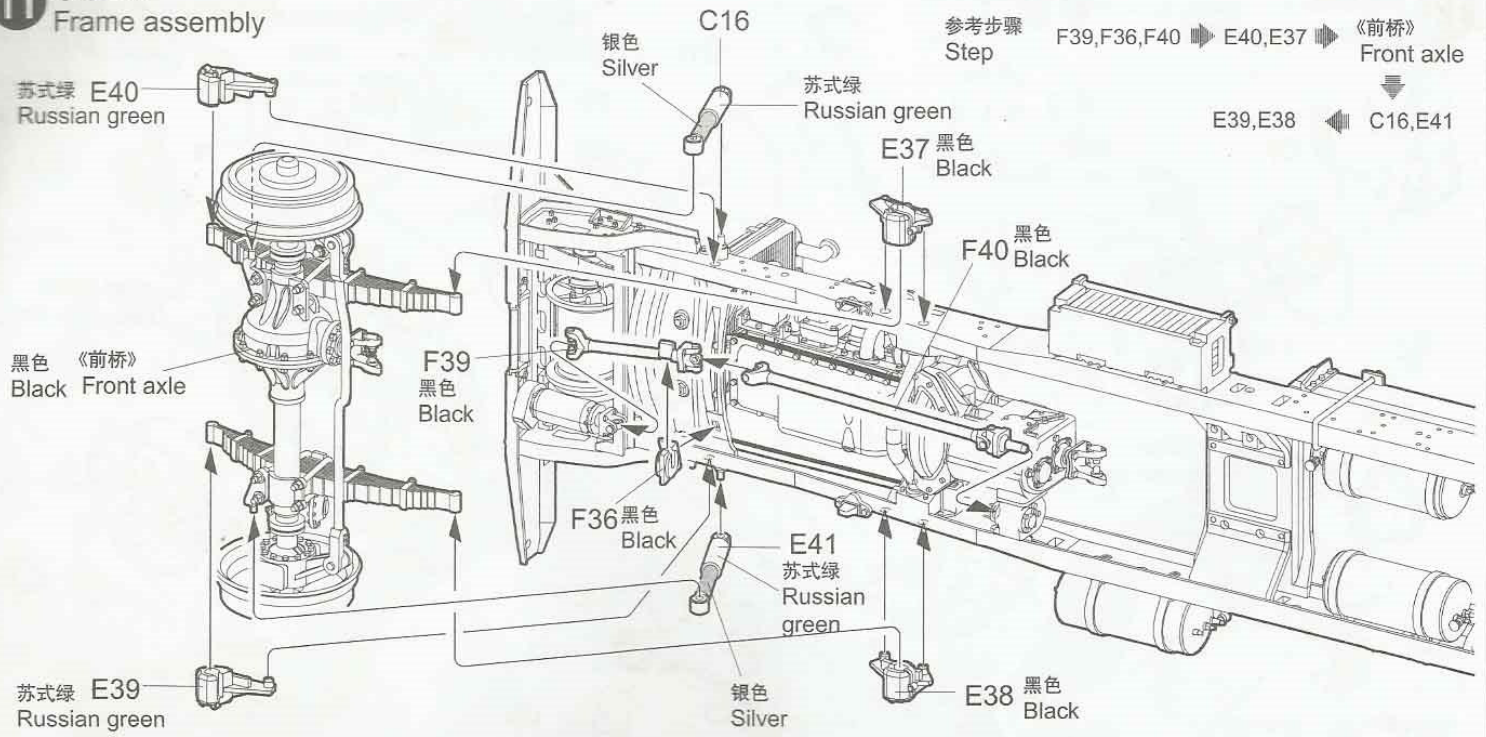
《右减震座圈》
Right control arm



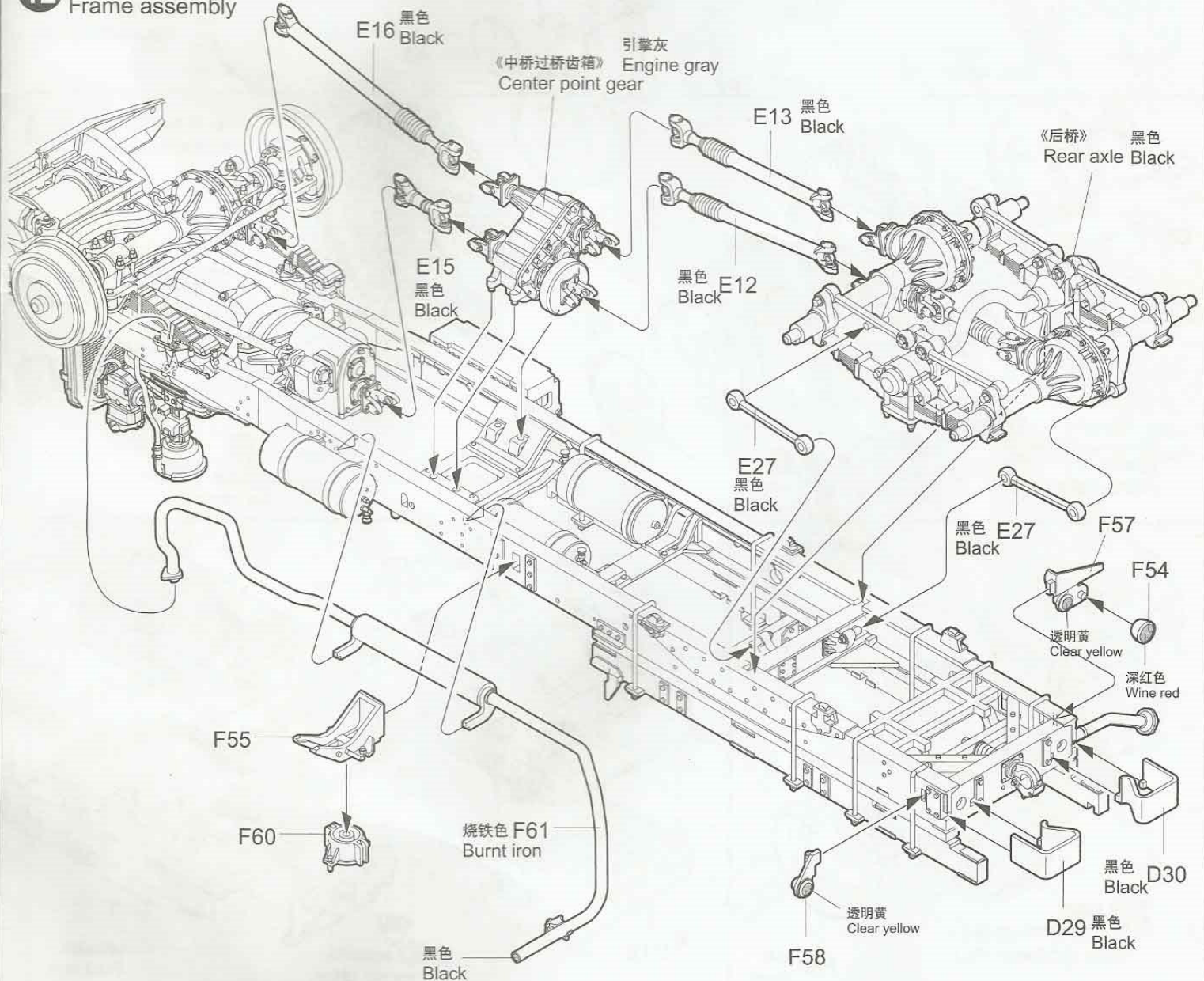
10 后桥组装
Rear axle assembly



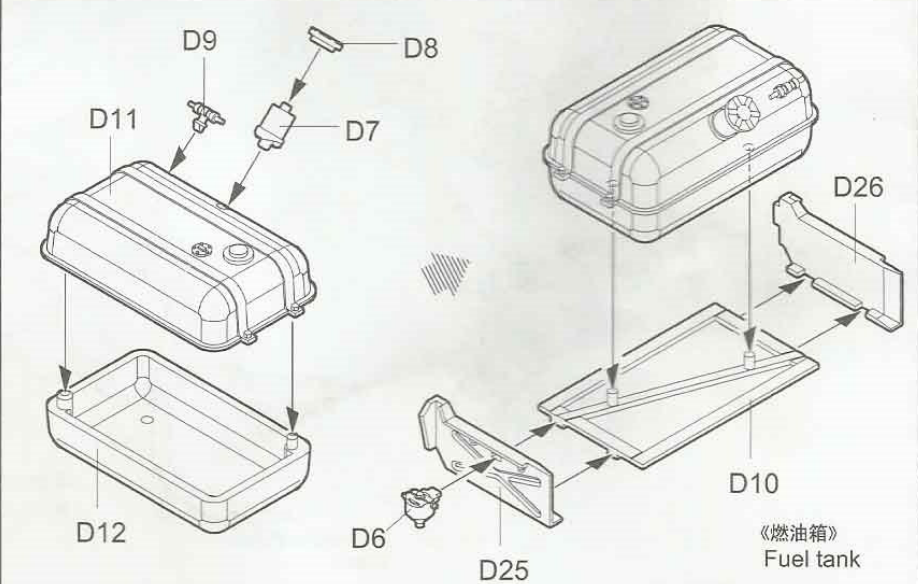
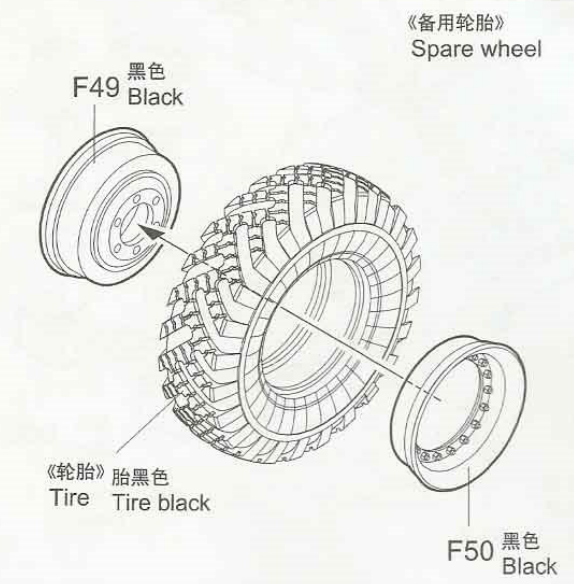
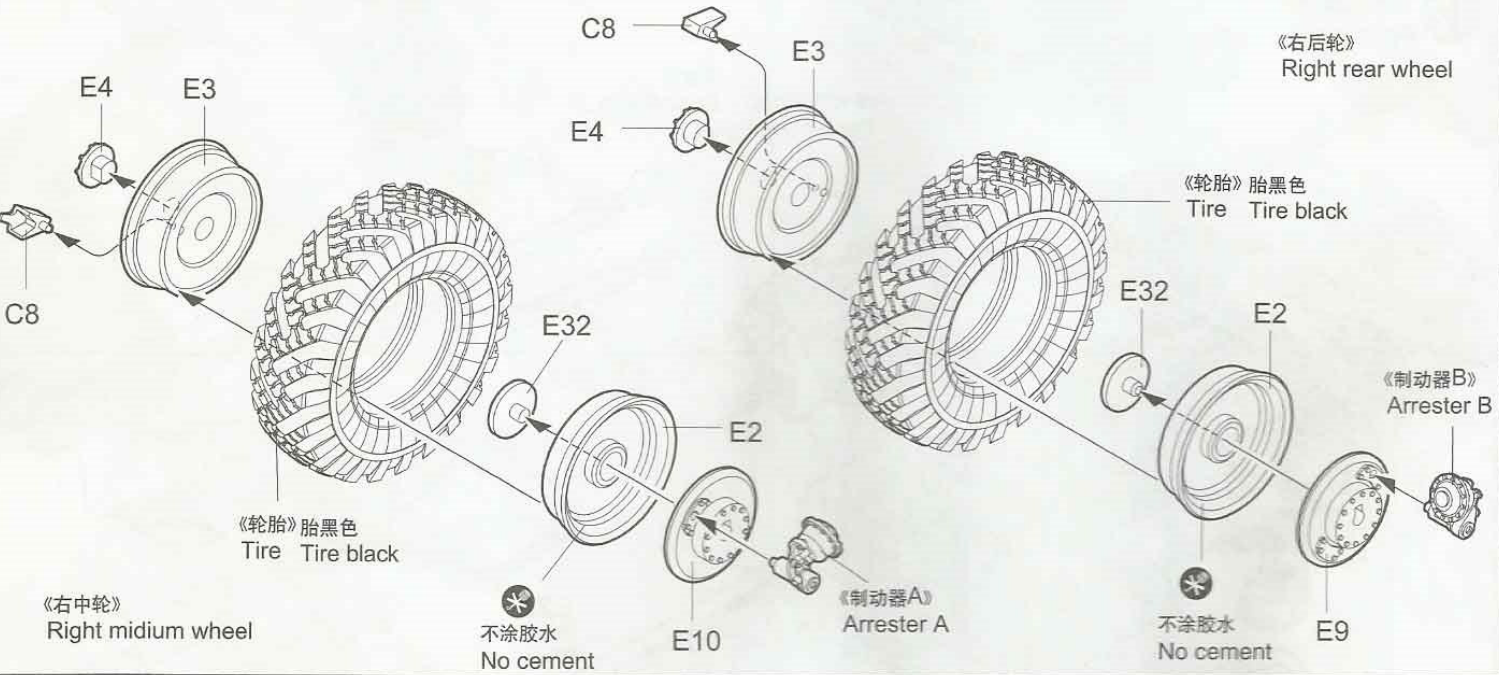
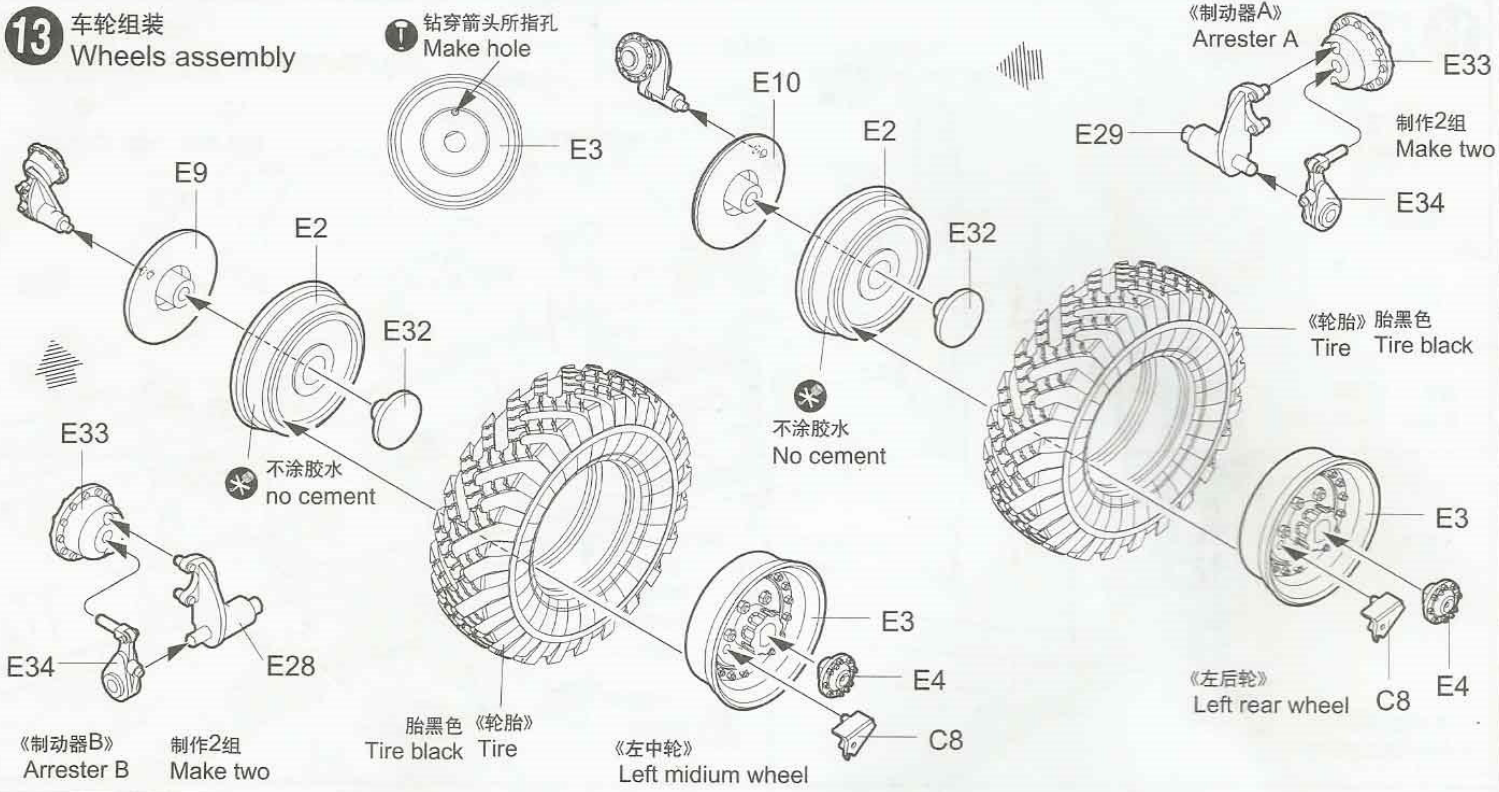
11 车架组装 Frame assembly



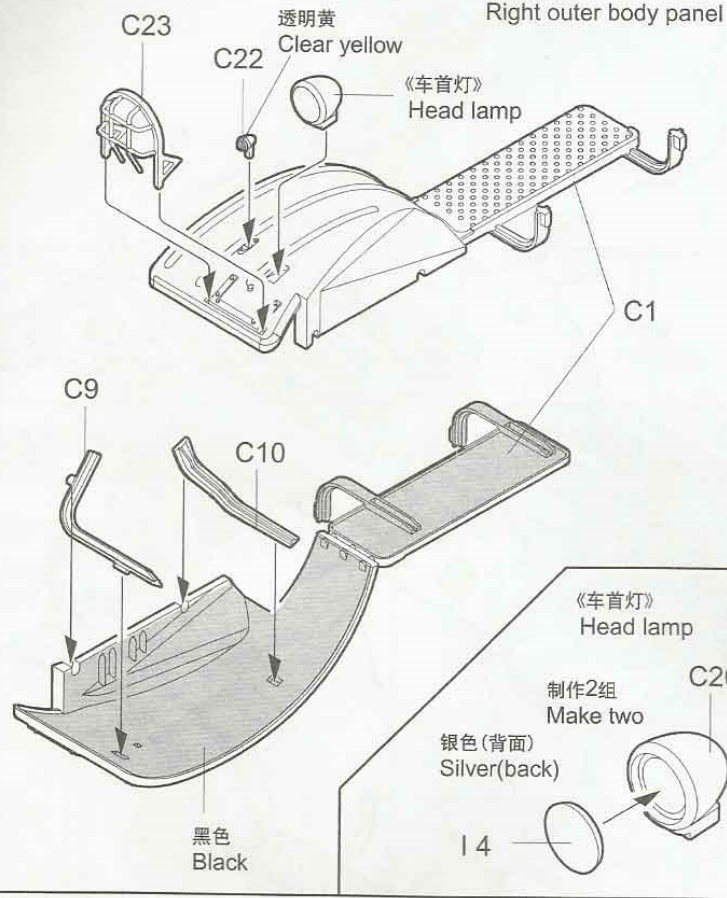
12 车架组装 Frame assembly



13 车轮组装
Wheels assembly

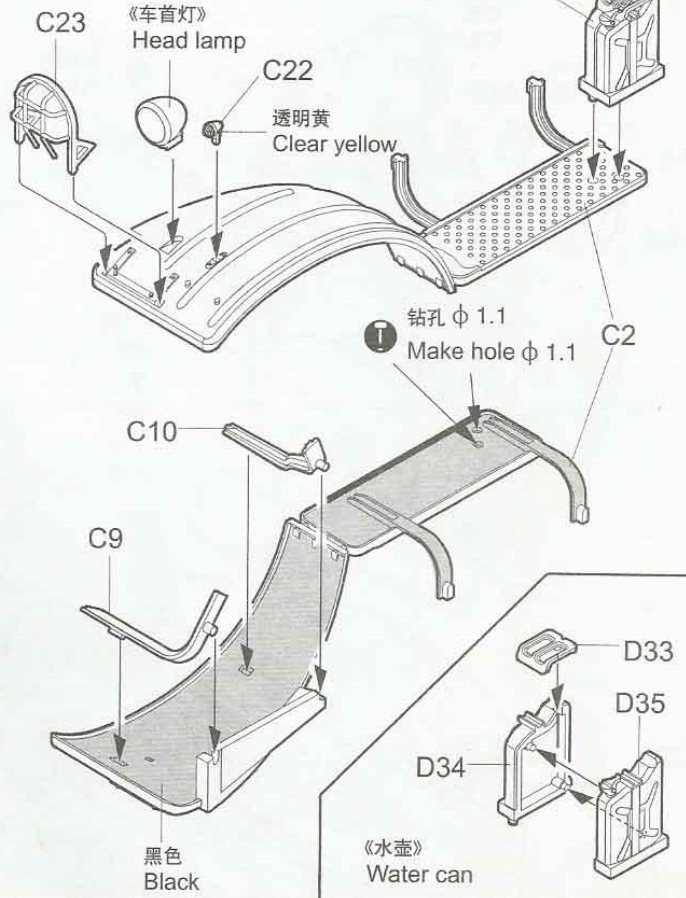


14 翼字板组装
Outer body panel assembly

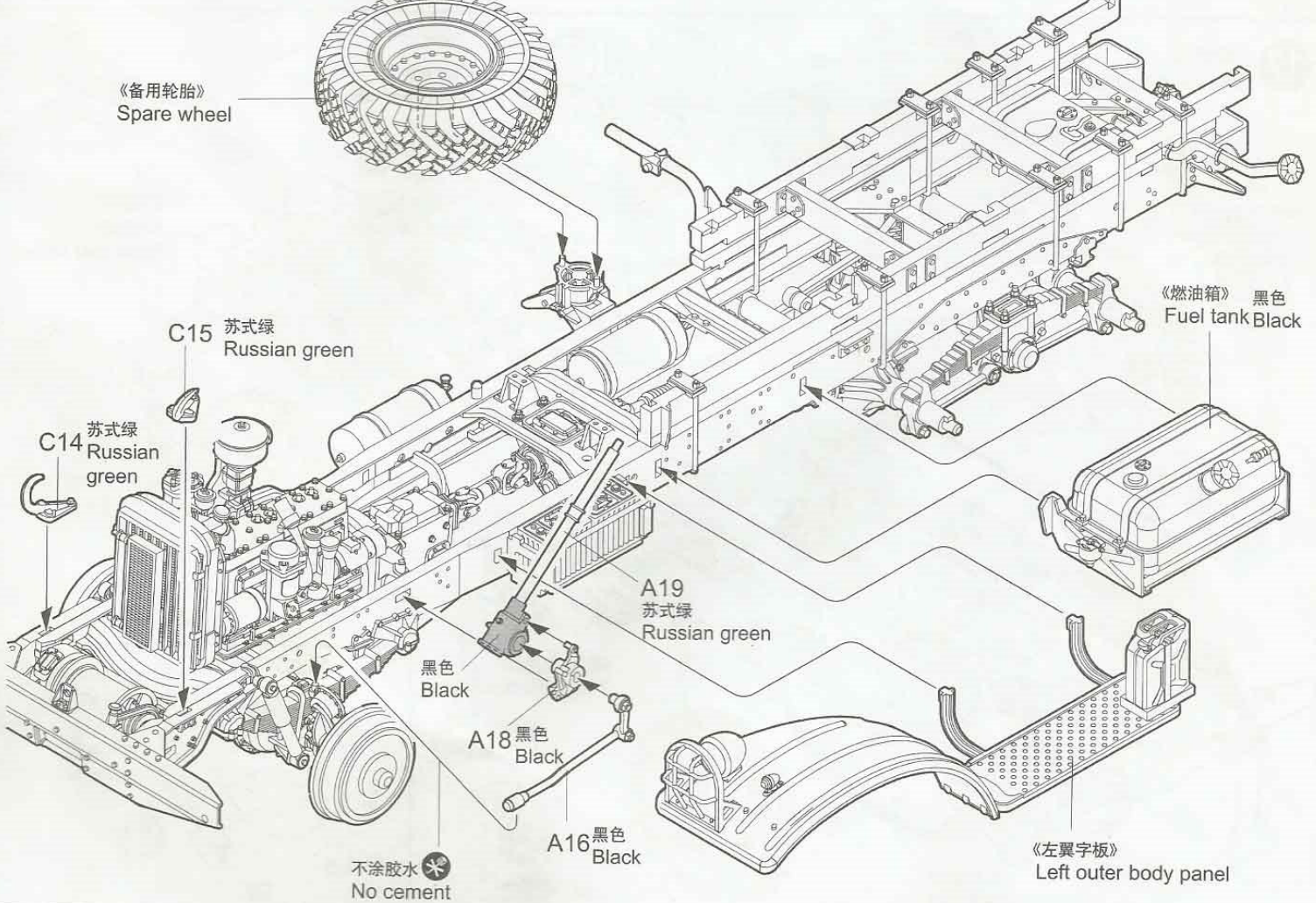


《左翼字板》
Left outer body panel

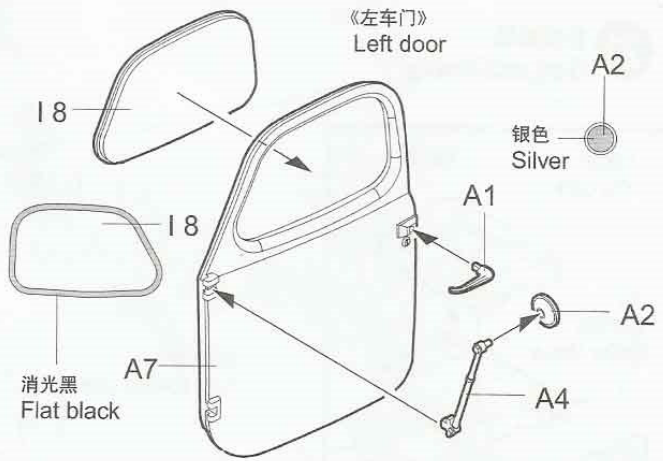
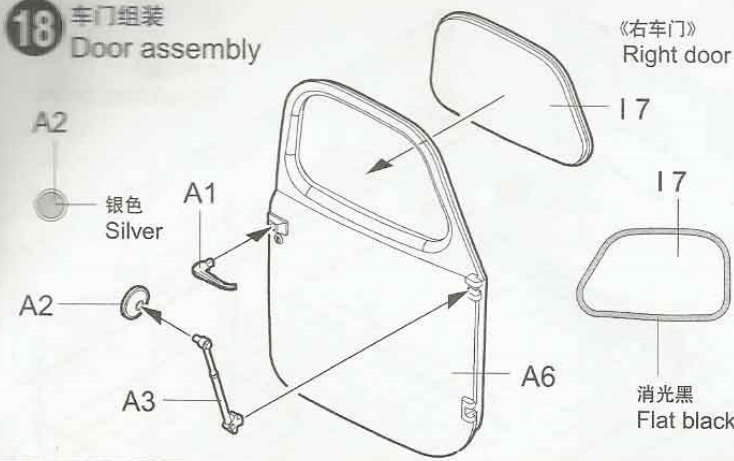
《水壶》
Water can



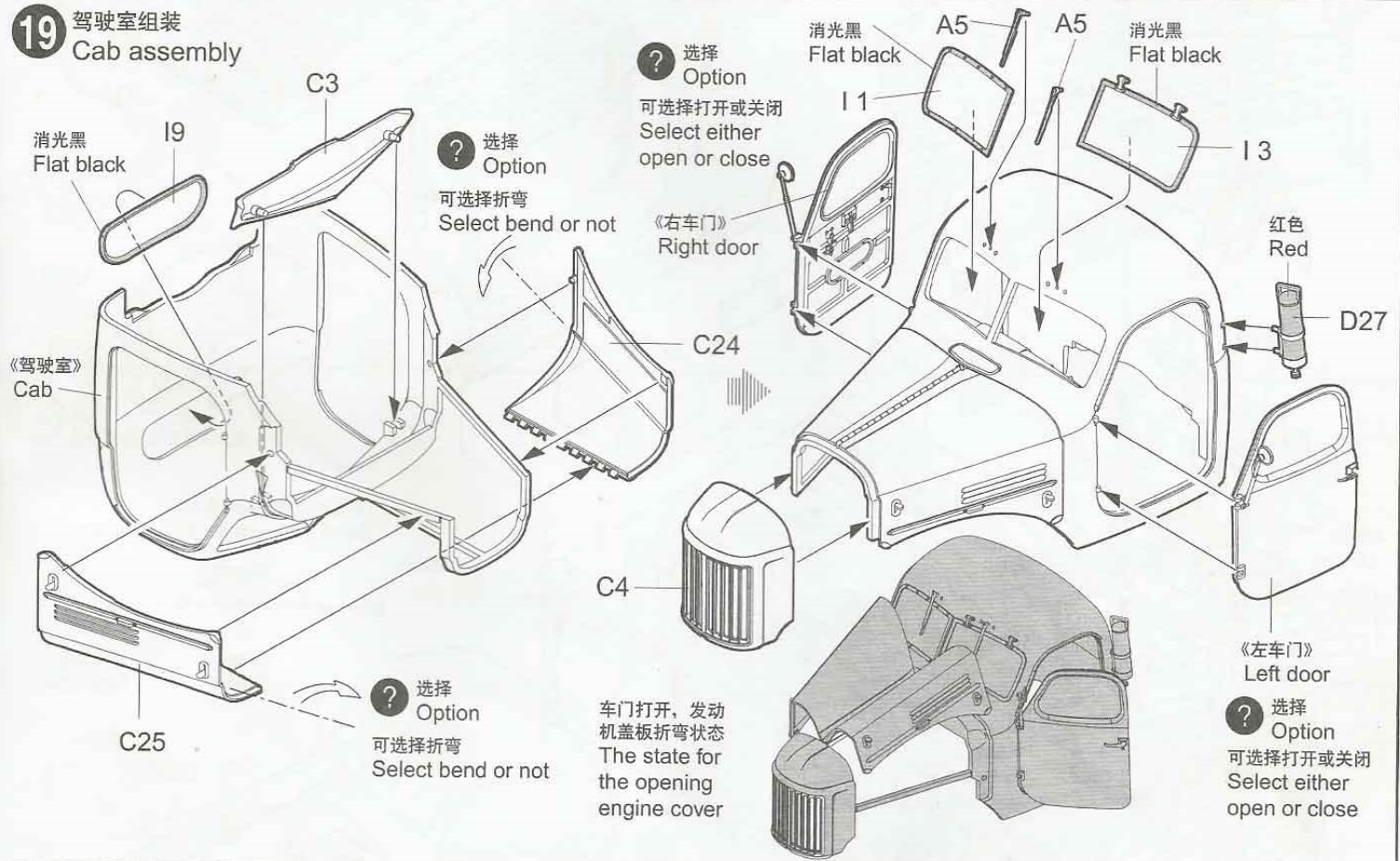
15 车架组装
Frame assembly



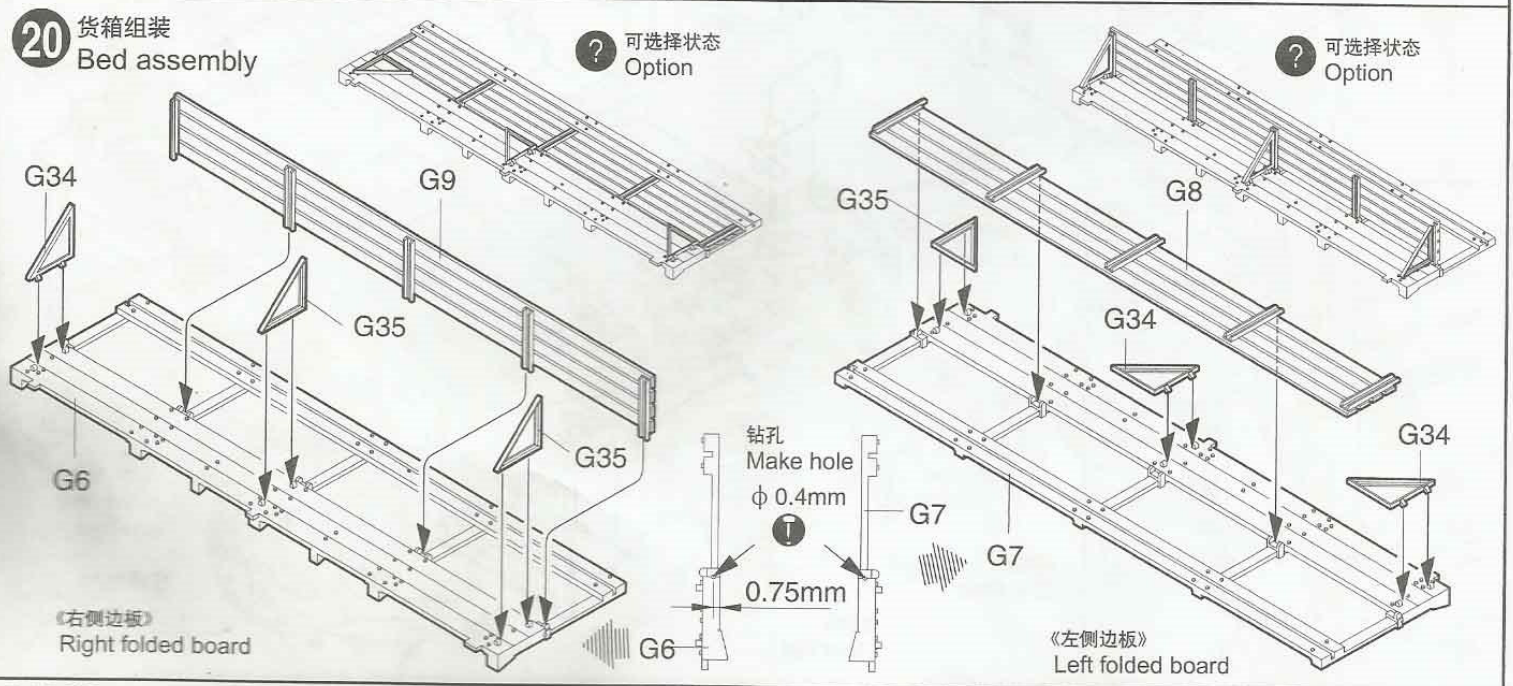
18 车门组装
Door assembly



19 驾驶室组装
Cab assembly



20 货箱组装
Bed assembly



21 货箱组装 Bed assembly

《油壶》
Oil can

G15

制作3组
Make three

G17 G16

G25

《左侧边板》
Left folded board

《右侧边板》
Right folded board

G5

G28

G4

G29

G12

G2

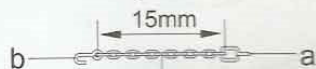
G31

G14

G13

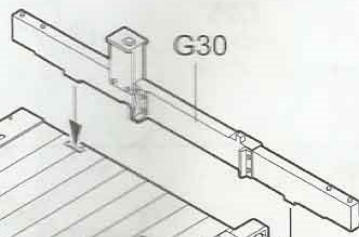
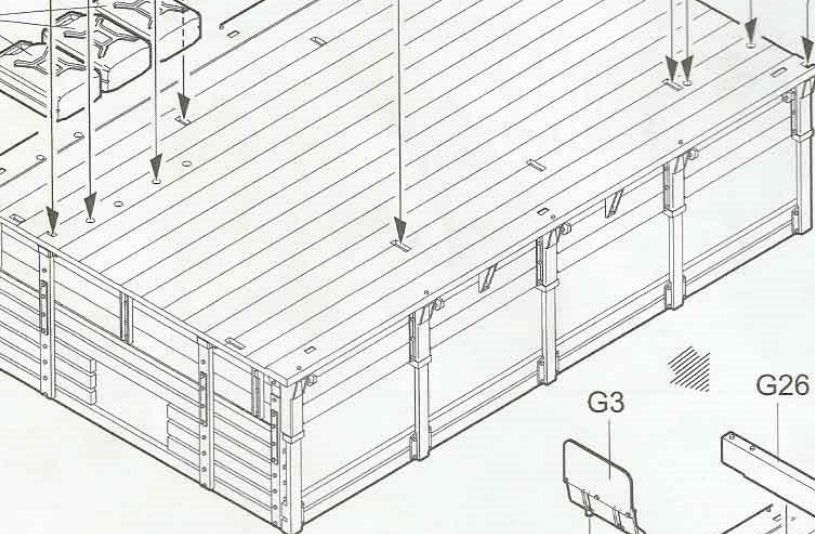
《油壶》
Oil can

《按图示形状折弯铜丝a,b》
Bend brass wires a&b as show



《铁链》
Chain

制作2组
Make two



G3

G26

G30

a

《铁链》
Chain

b

a

G3

G24

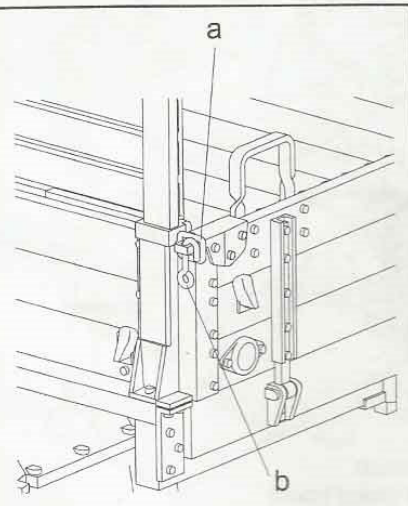
透明红
Clear red

透明红
Clear red

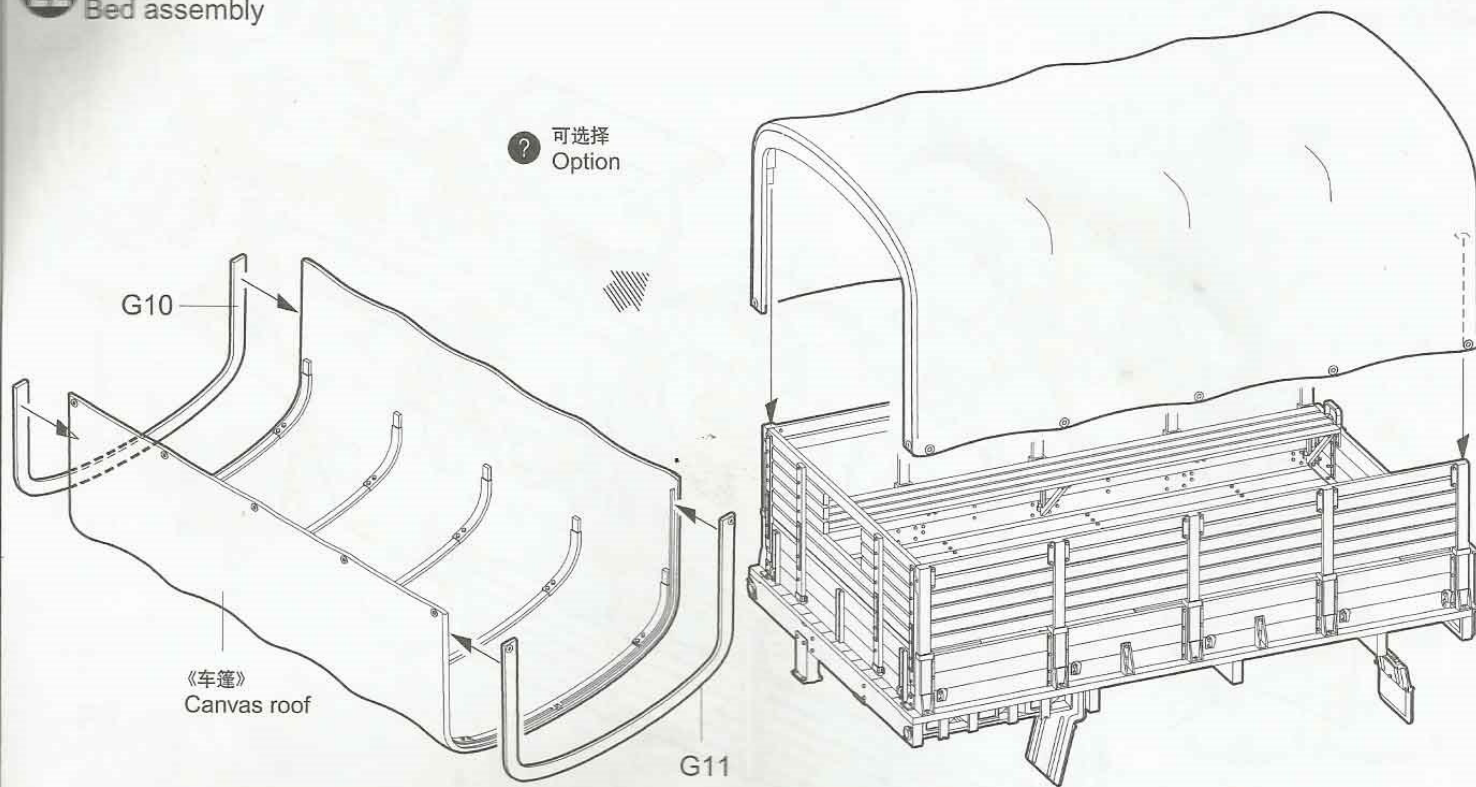
ⓘ 钻孔
Make hole
ø0.4mm

0.4mm

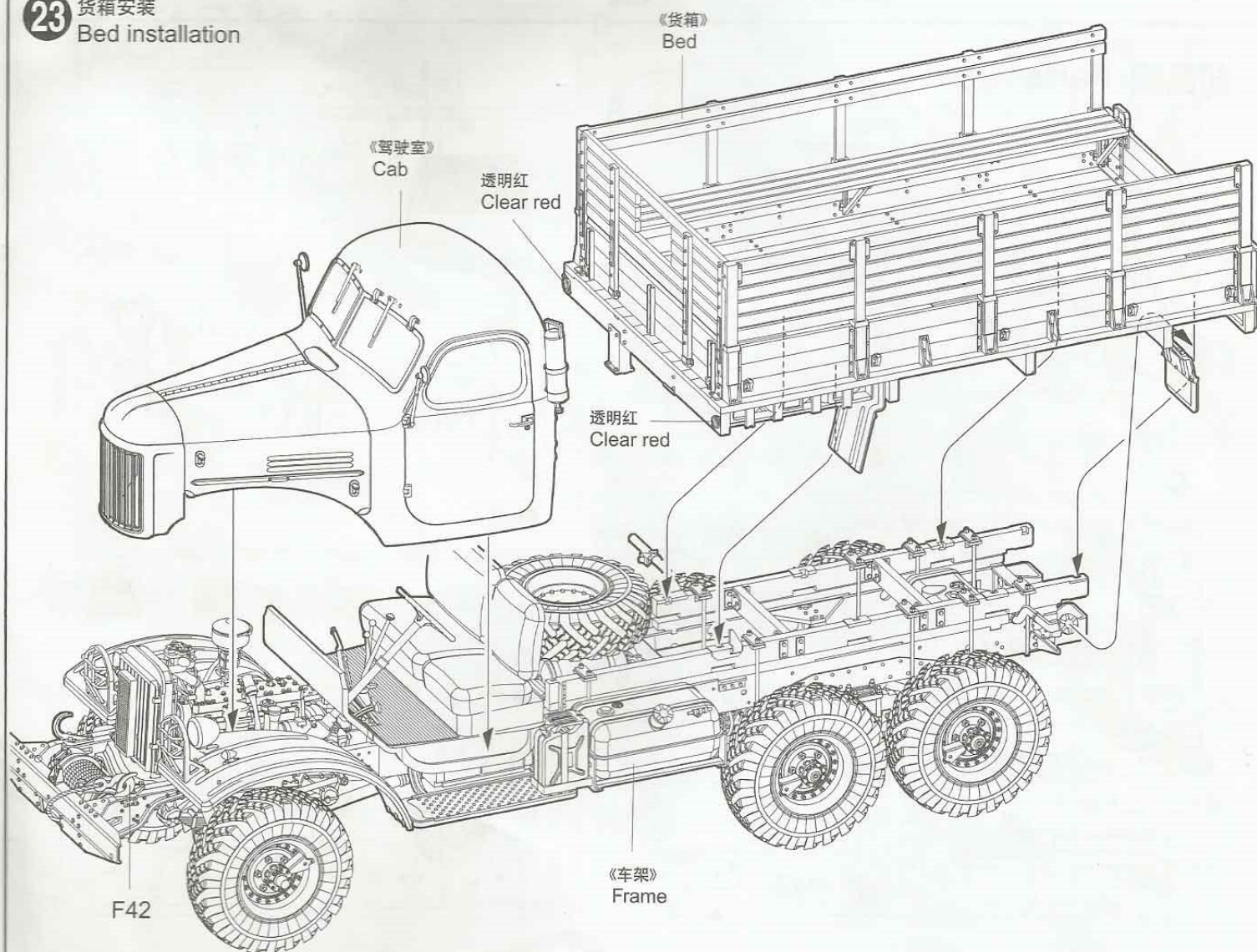
0.4mm



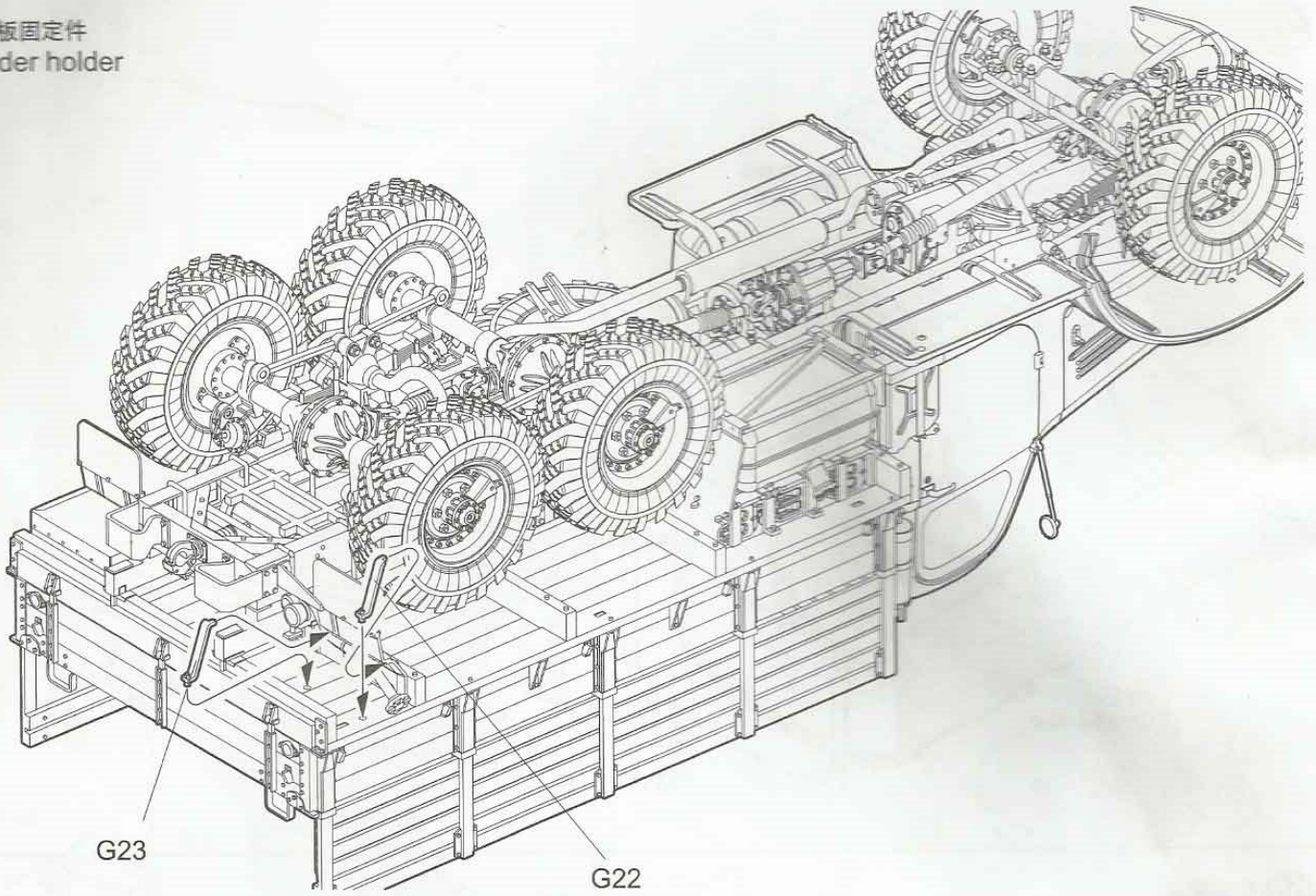
22 货箱组装
Bed assembly



23 货箱安装
Bed installation

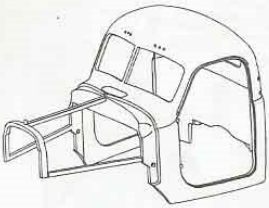


24 挡泥板固定件
Fender holder

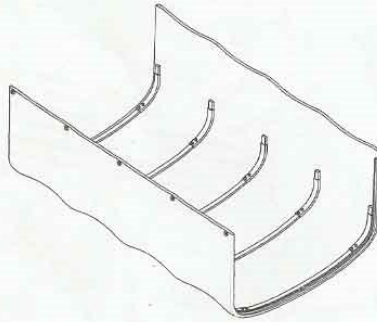


部品图 Parts

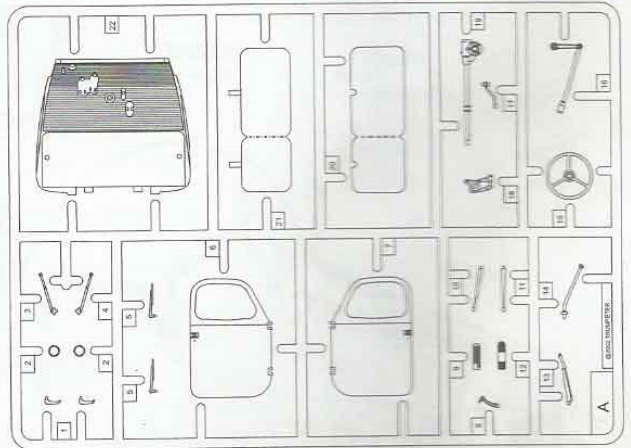
《驾驶室》
Cab



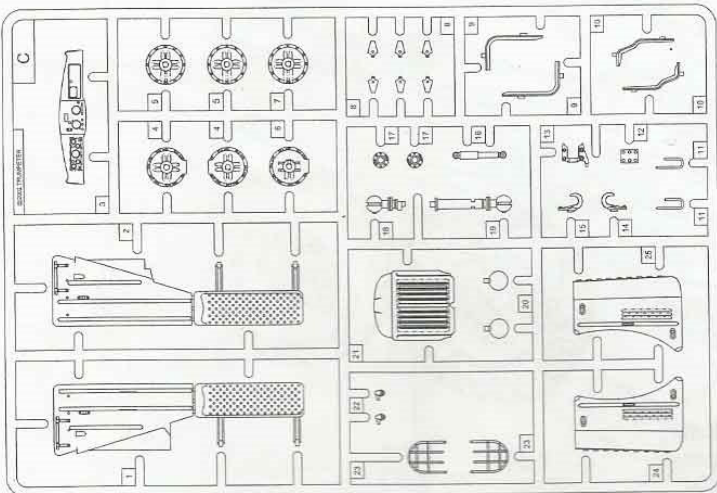
《车篷》
Canvas roof



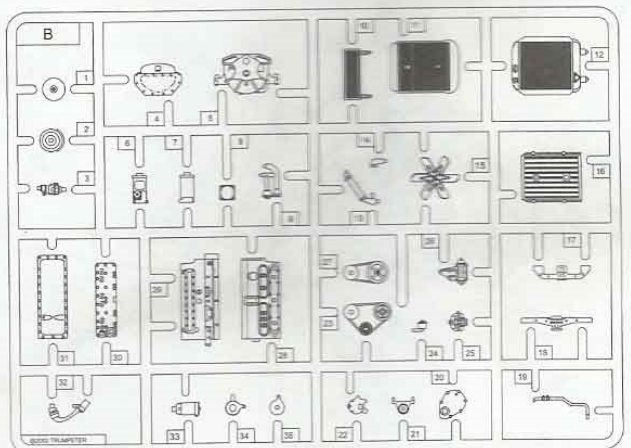
A



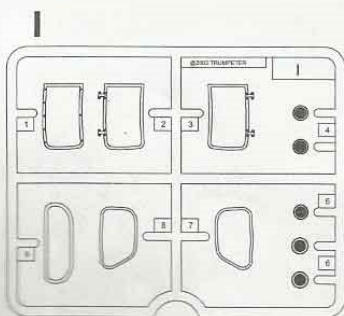
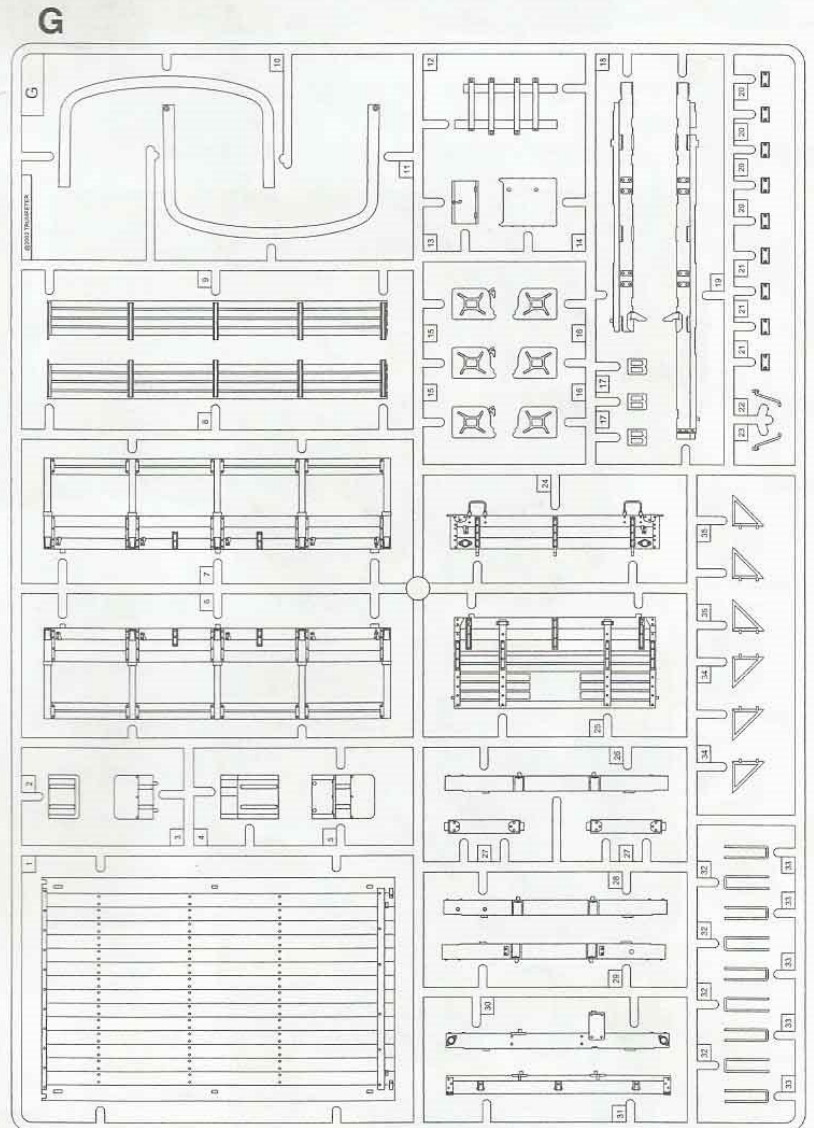
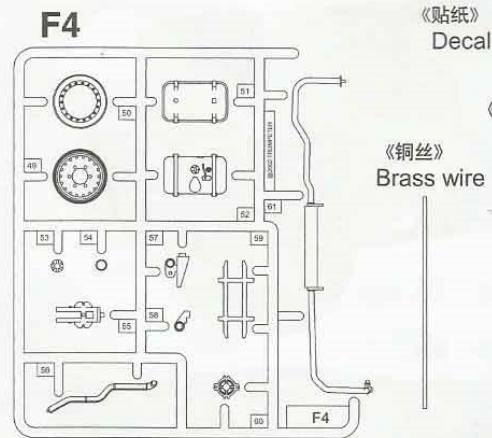
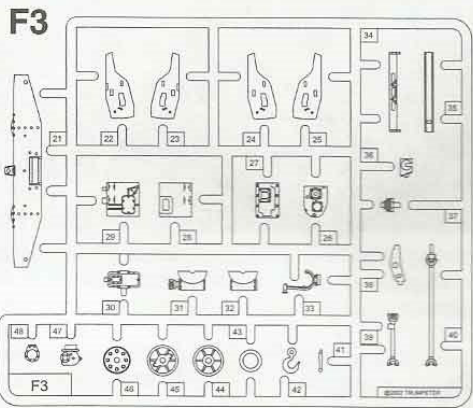
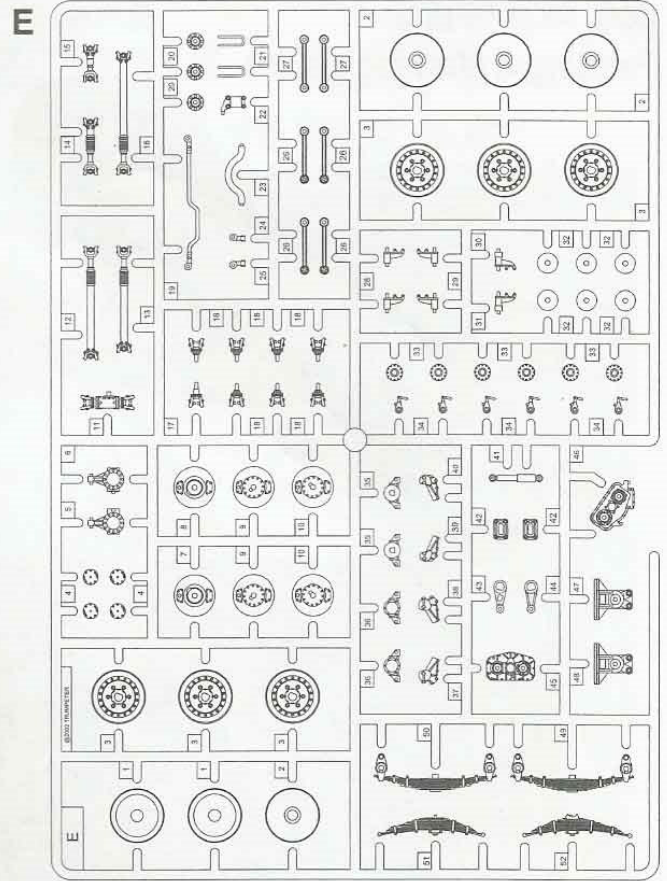
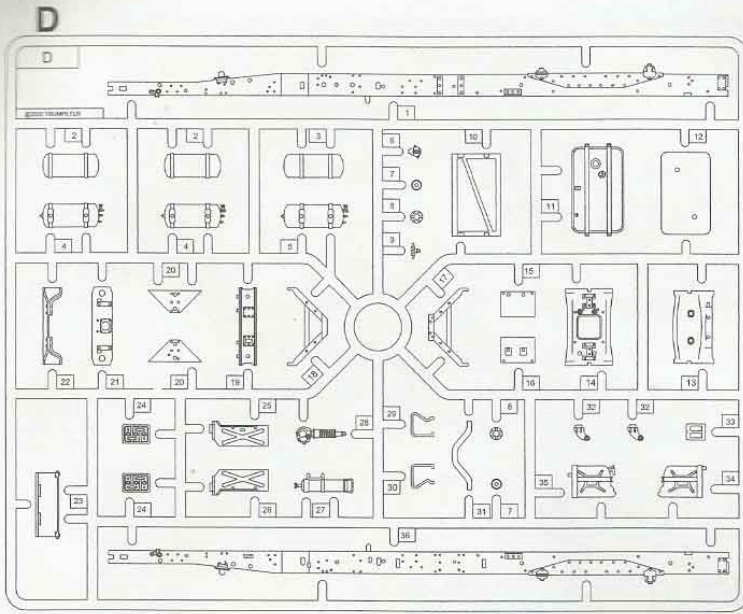
C



B



部品图 Parts



涂装同标贴指示
Painting & Marking guide

使用色: Testors MM and Gunze Sangyo colors used

