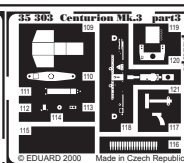
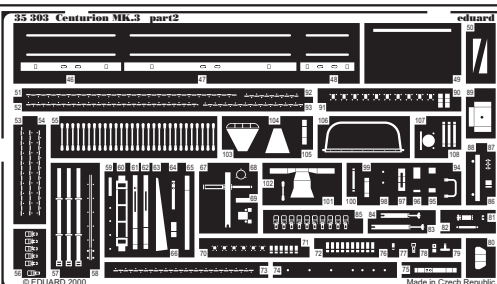
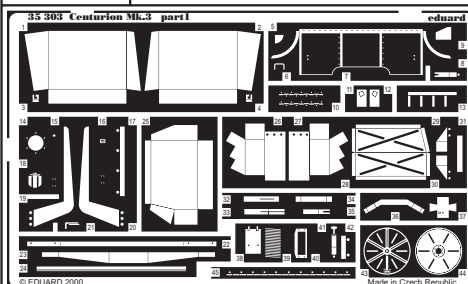




# CENTURION Mk.III

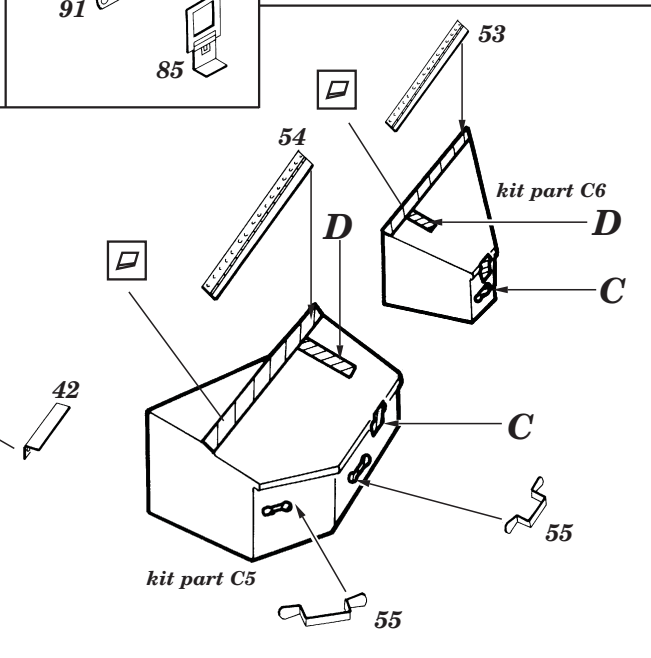
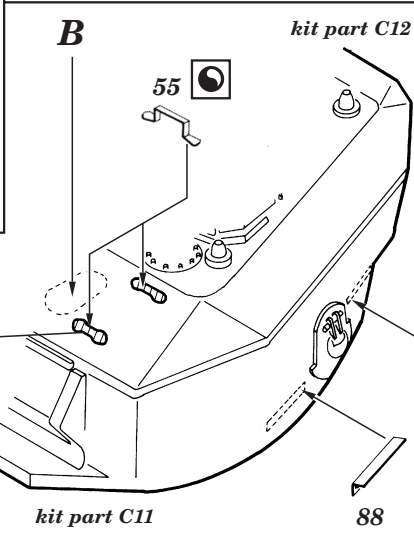
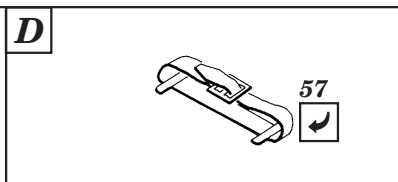
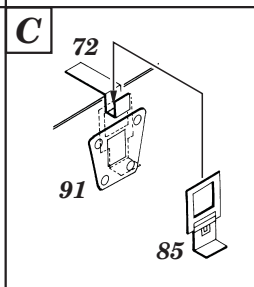
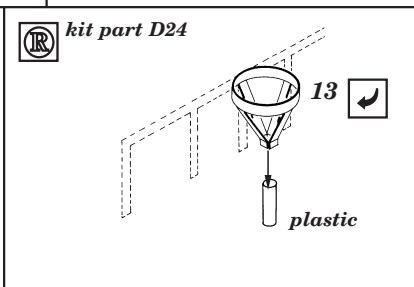
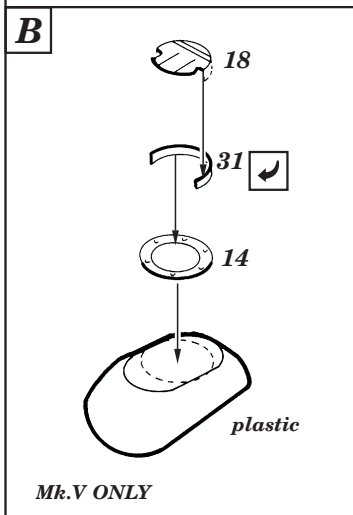
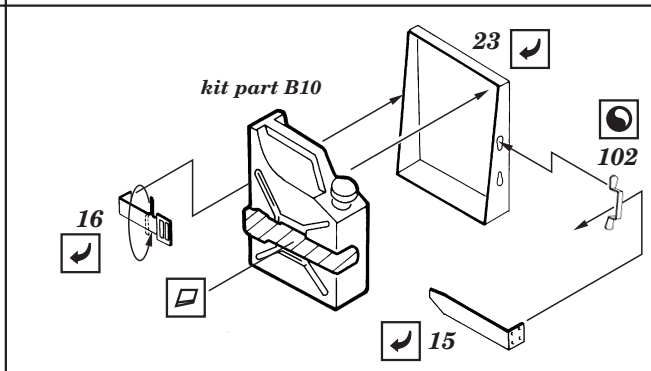
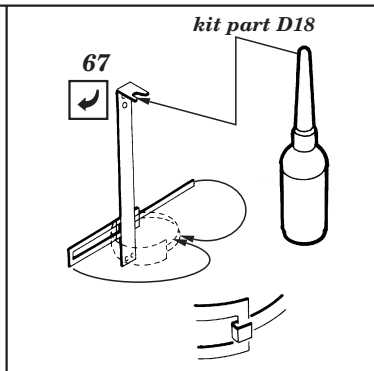
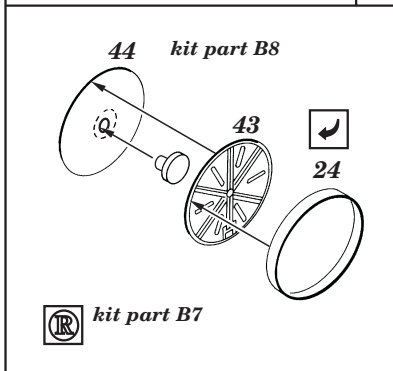
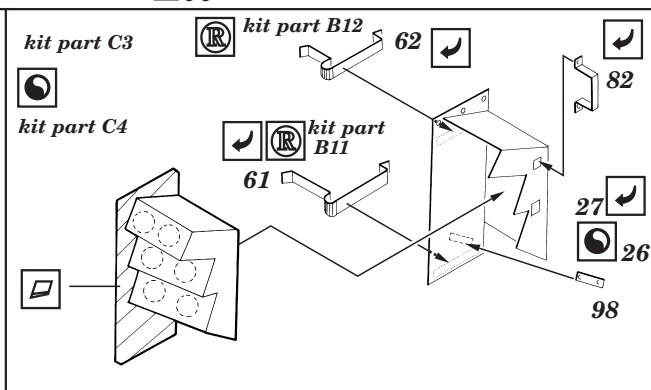
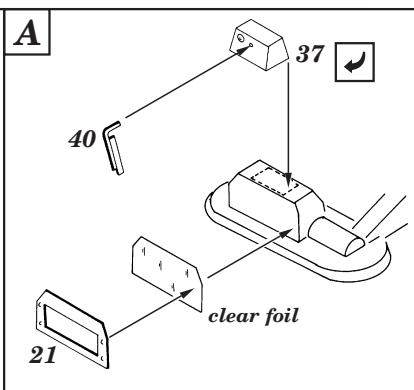
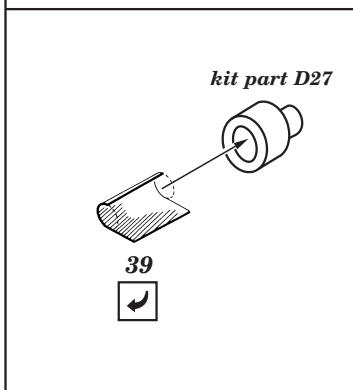
1/35 scale detail set for Academy kit

35 303

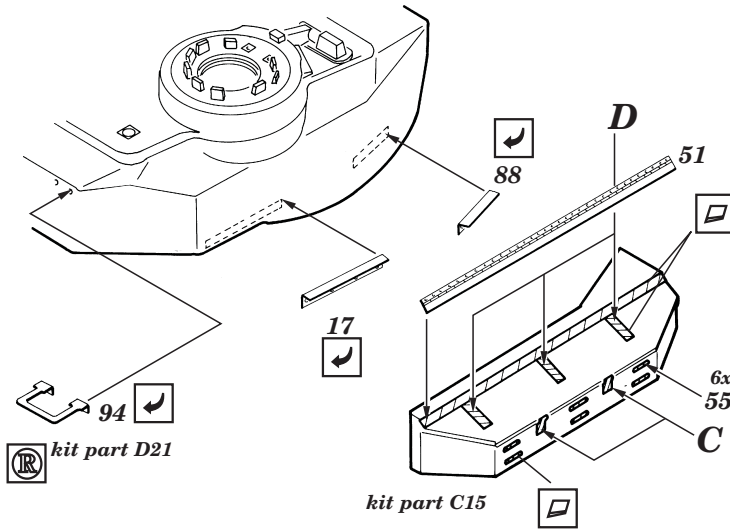


- OPPOSITE SIDE
- REMOVE
- REPLACE
- GRIND
- BEND

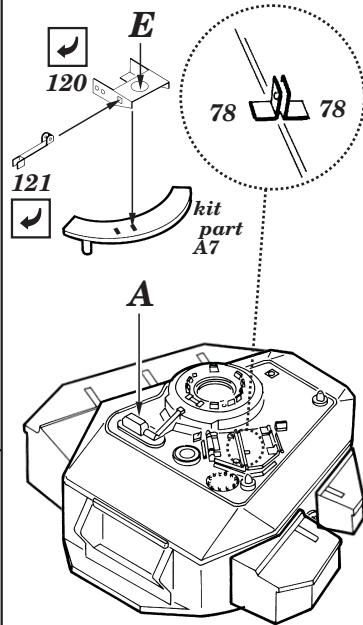
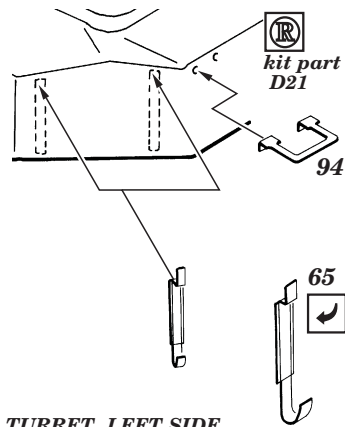
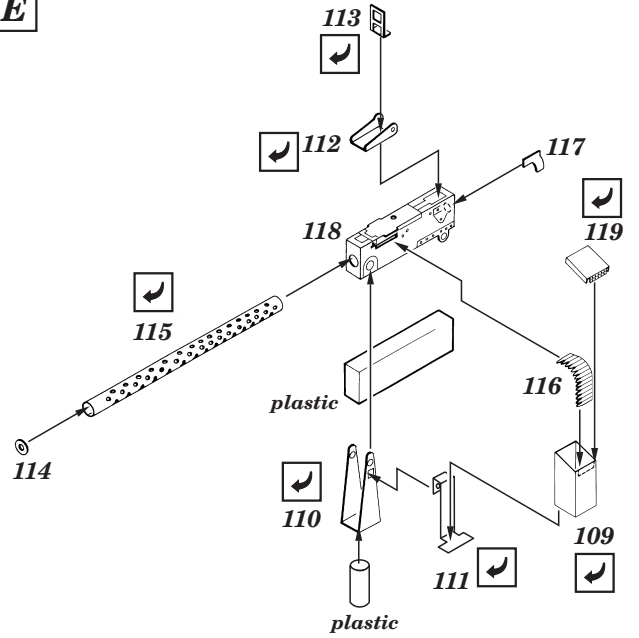
2x



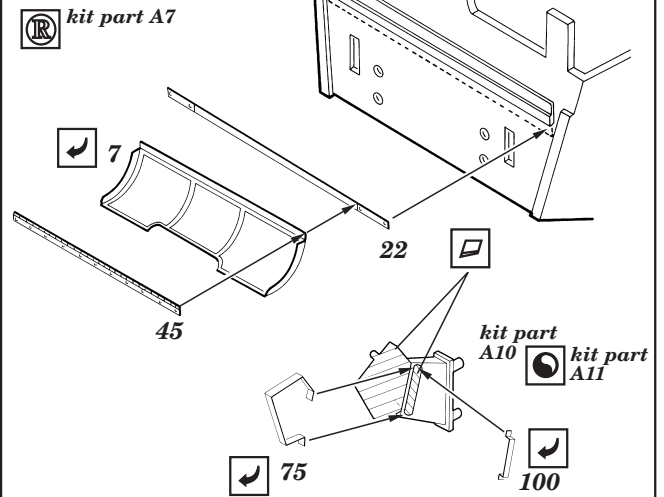
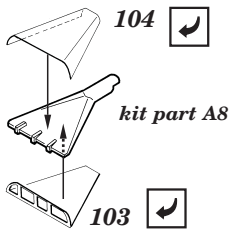
TURRET RIGHT SIDE



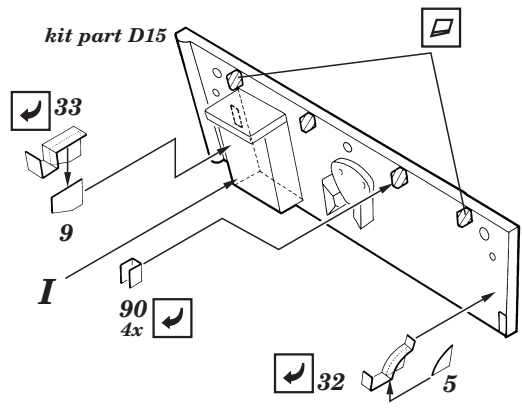
E



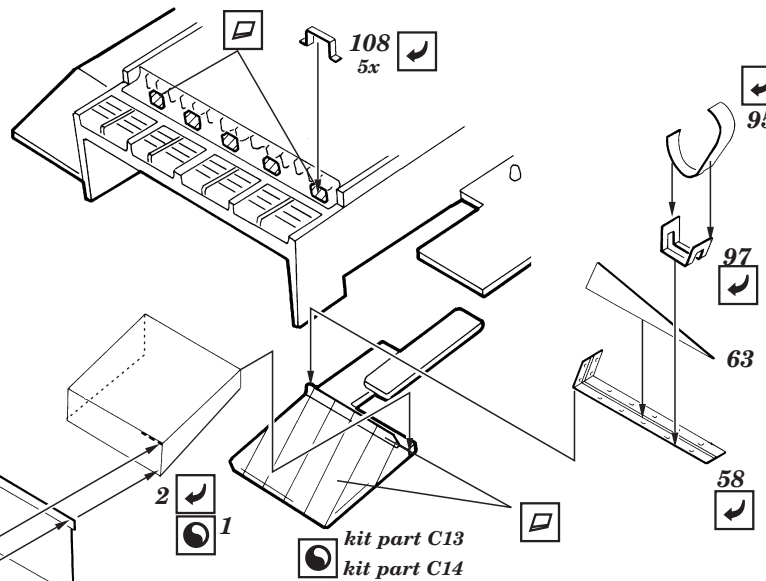
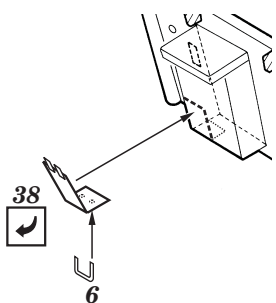
TURRET LEFT SIDE



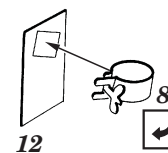
kit part D15



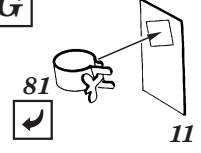
I

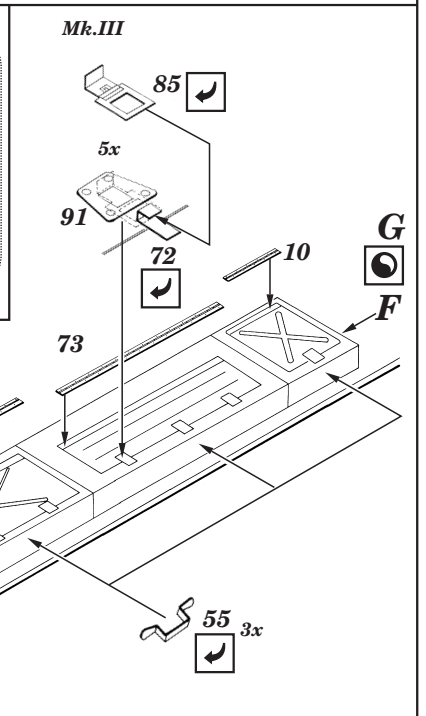
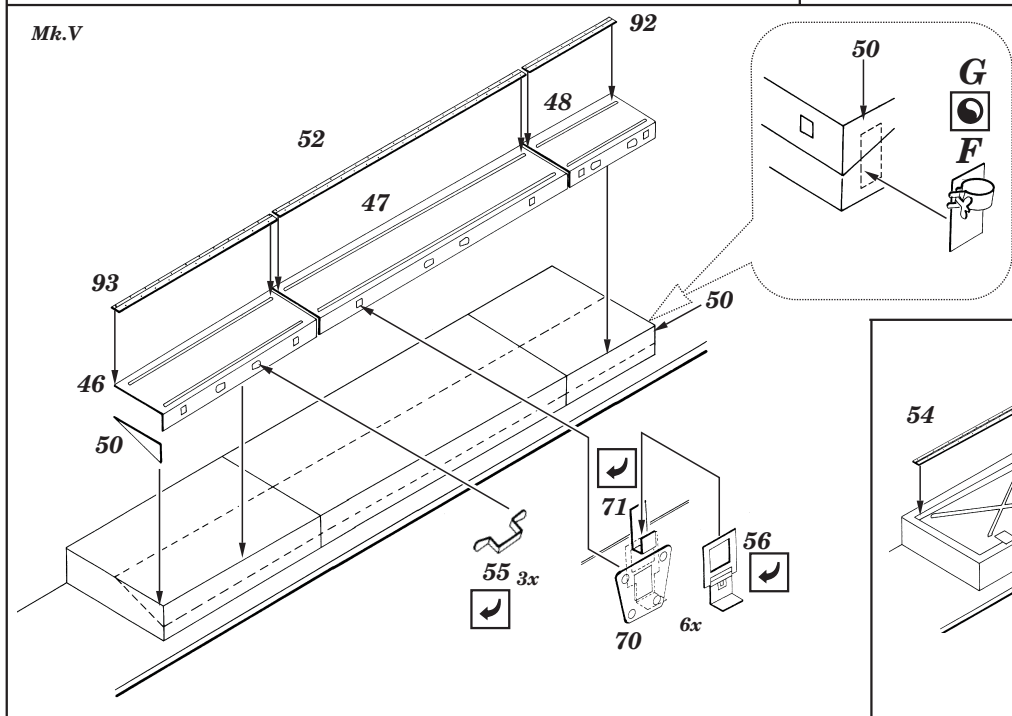
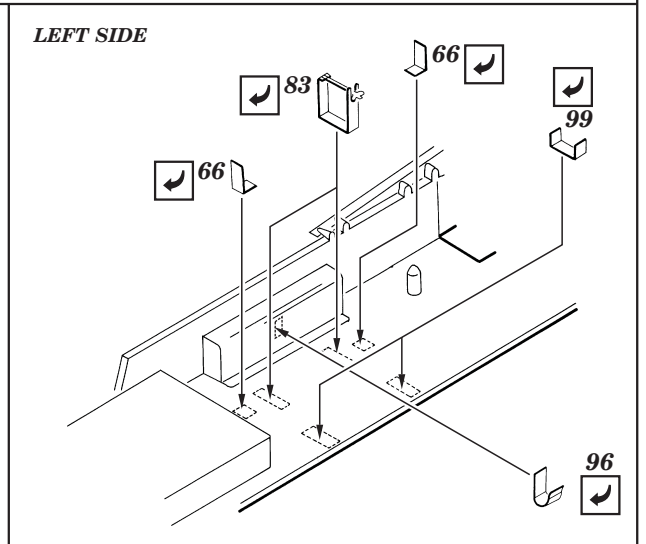
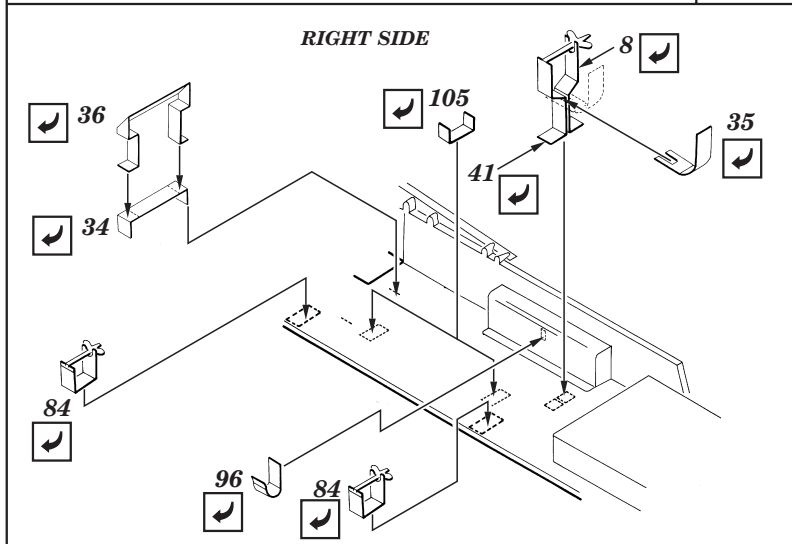
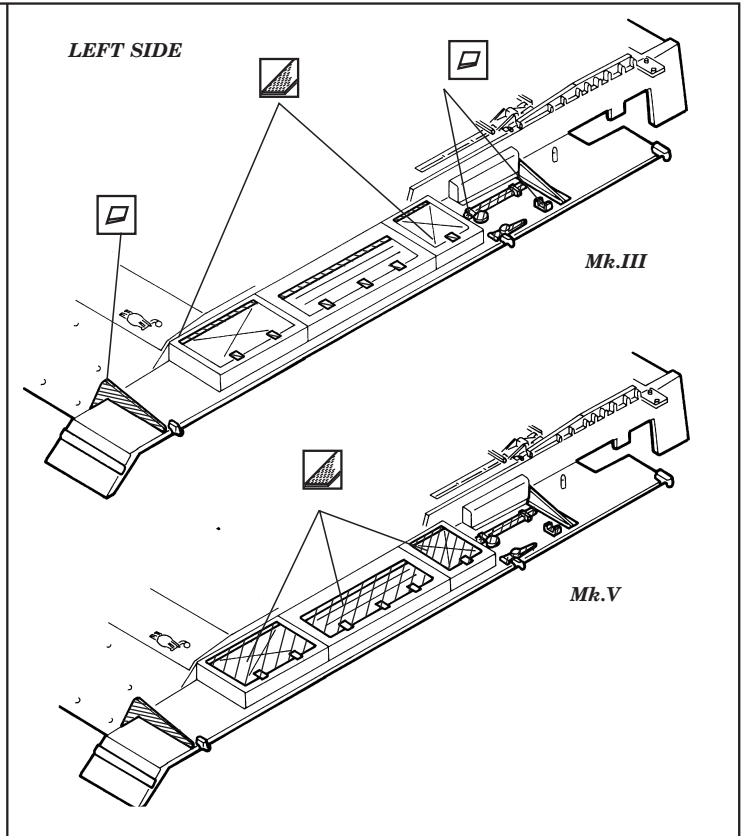
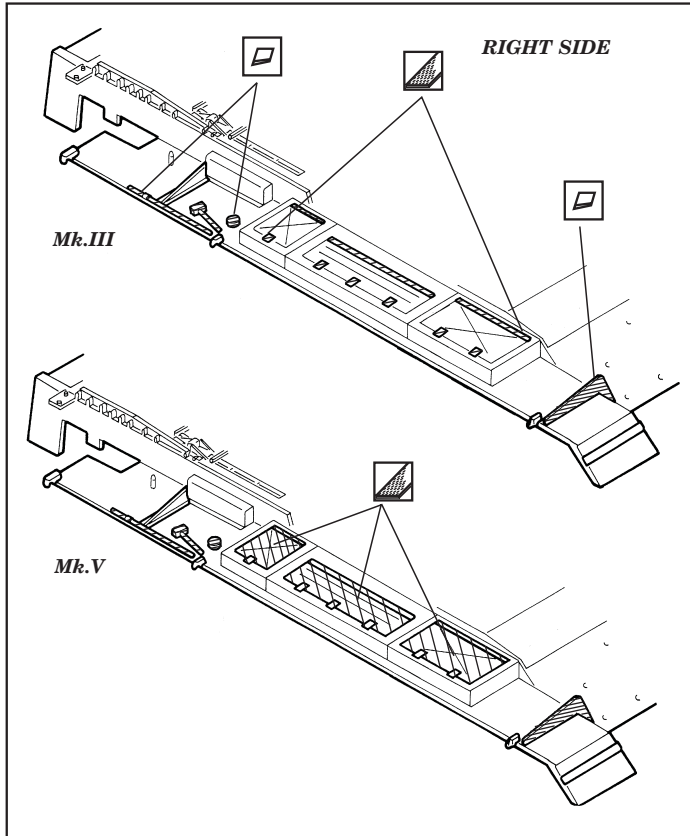


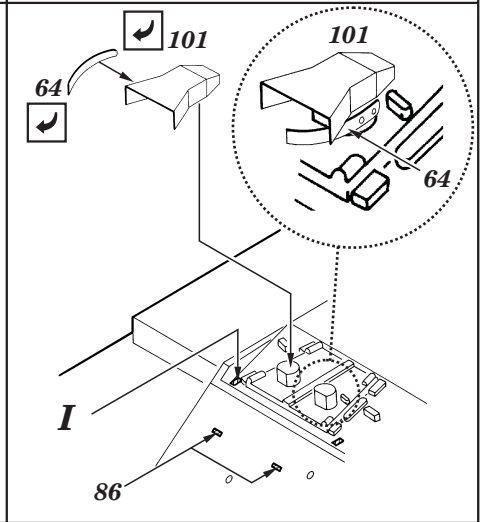
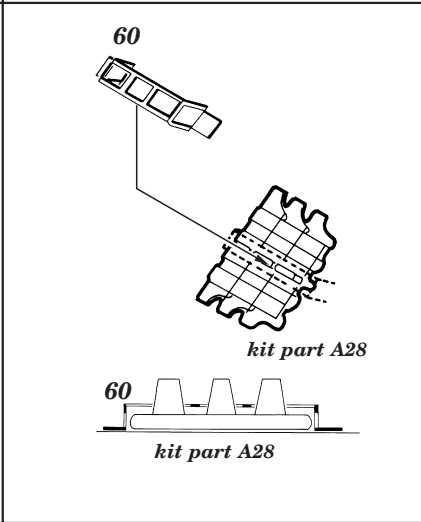
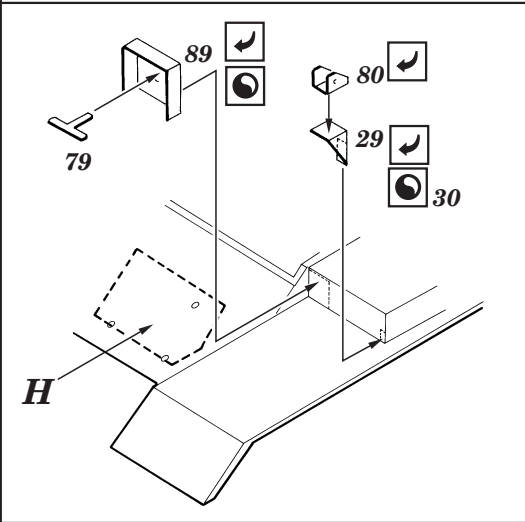
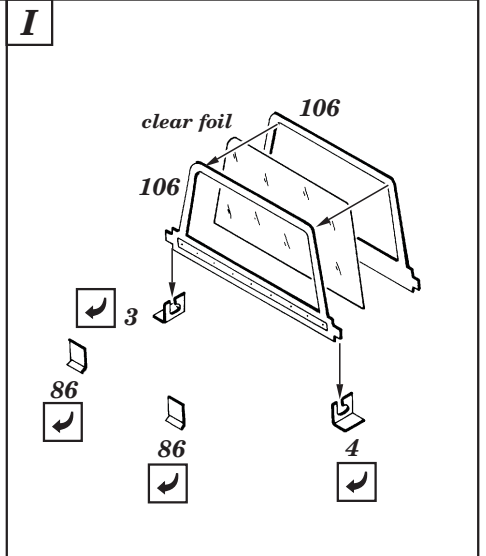
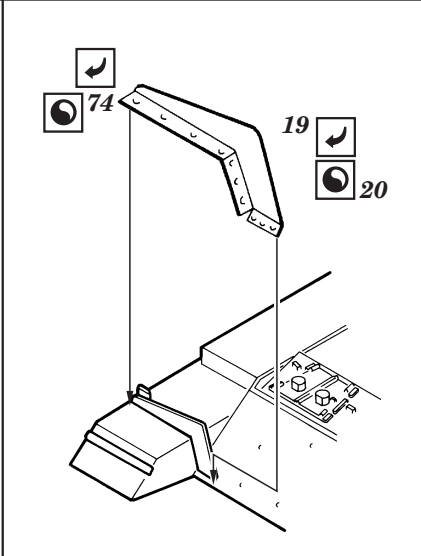
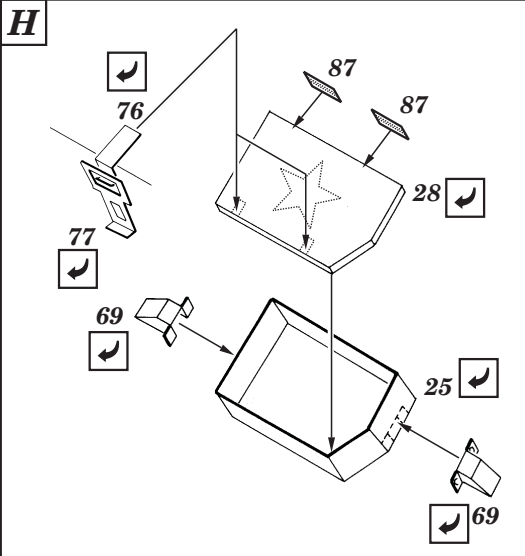
F



G







**eduard**  
**Express Mask**  
**XT35306A**

