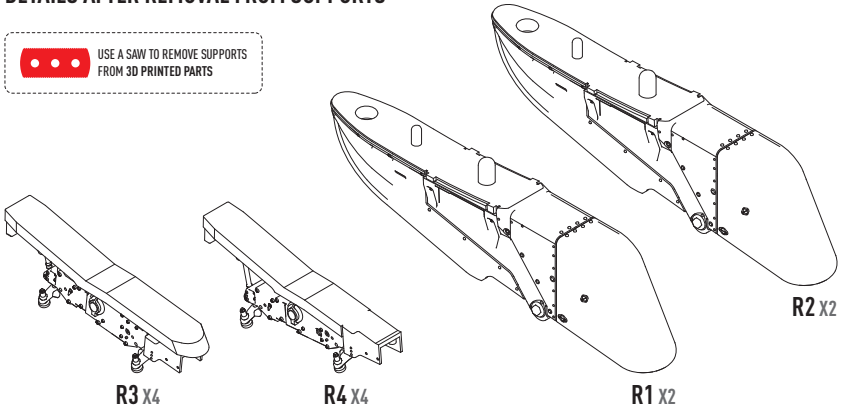
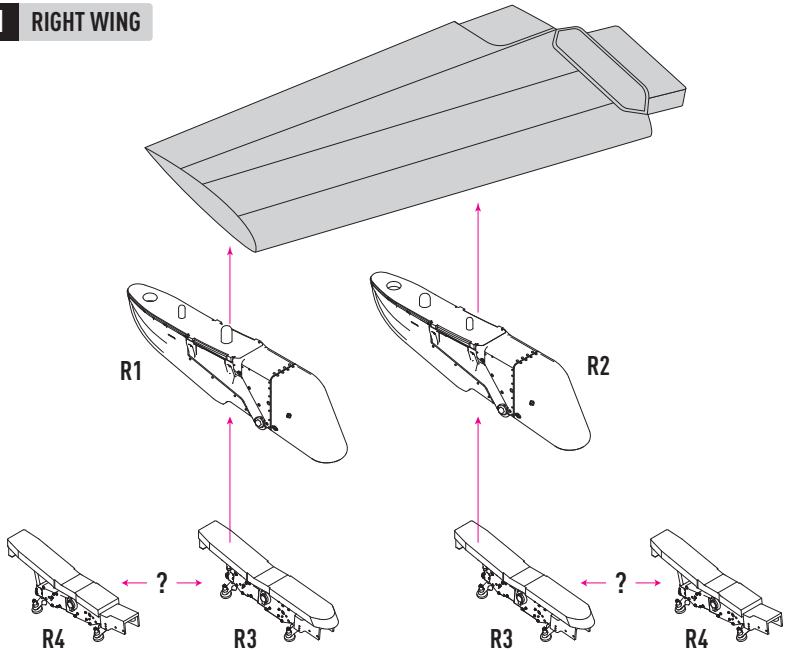


DETAILS AFTER REMOVAL FROM SUPPORTS

USE A SAW TO REMOVE SUPPORTS
FROM 3D PRINTED PARTS

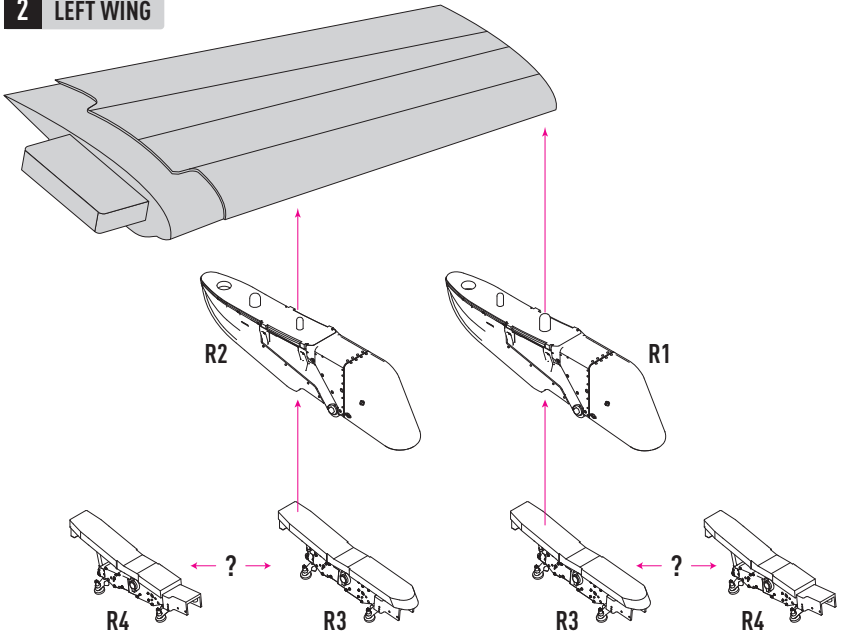


1 RIGHT WING



R3 - LOADING WEAPONS, R4 - LOADED IN PARKING POSITION

2 LEFT WING



R3 - LOADING WEAPONS, R4 - LOADED IN PARKING POSITION

LEFT VIEW

