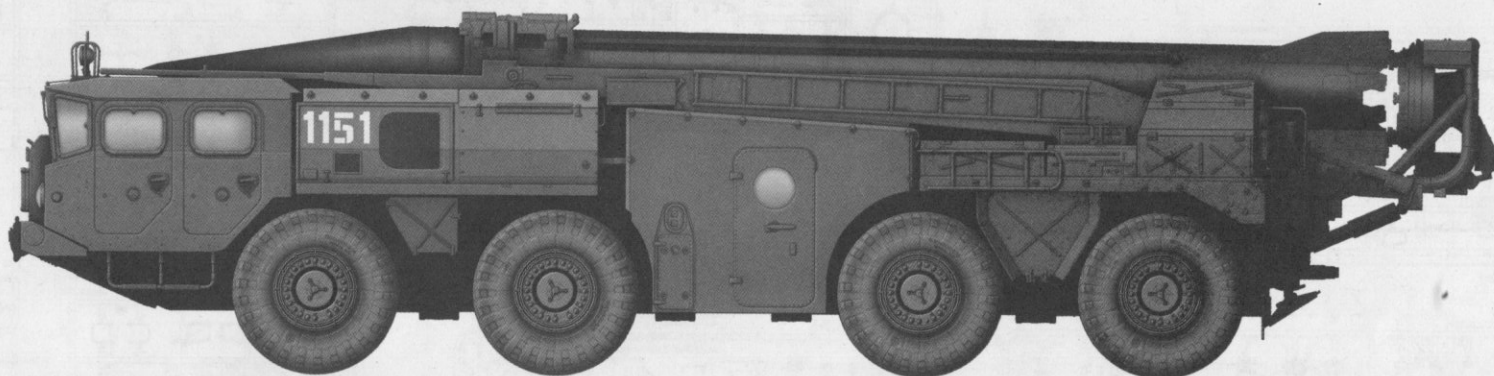


1/35 SCALE

ITEM NO.:01019



Soviet (9P117M1) Lanuncher with R17 Rocket of 9K72 Missile Complex "Elbrus"(Scud B)

前苏联“飞毛腿”-B弹道导弹

READ BEFORE ASSEMBLY:

- This kit is not recommended for inexperienced modelers or for children under 14 years of age
- Study and understand these instructions thoroughly before beginning assembly
- When needed, remove photo-etch parts carefully using a modeling knife or photo etch sprue cutter, being careful not to damage or lose small parts.
- Take extra care in handling photo etch parts in order to avoid injury
- Apply instant cement sparingly to photo etch parts where instructed

- Tools recommended(not included in kit):Plastic and instant cements,sprue cutters,long nose pliers,modeling knife, small files, tweezers, pin vise & scissors. Soft cloth and sandpaper will also assist in construction
- Glue and paint are not included in the kit. Use plastic cement and hobby paints only. Color guide for purchasing paint is included in the kit.
- Keep out of reach of children. They must not be allowed to ingest small parts or handle plastic bags in any way.

装配之前仔细阅读

- 小心用模型锉刀锉平所有零件表面的注射浇口。
- 小心用刀片切下蚀刻片零件，不要遗失小零件。
- 用强力快干胶水粘合蚀刻片零件和金属轴。过量的快干胶水使用可能导致可动零件会粘住，小心涂胶。
- 取蚀刻片时应特别注意安全，防止利边划伤手指。
- 某些零件表面需贴上水贴纸，请选择在装配的同时进行。
- 推荐模型工具(自备)：胶水，水口剪刀，长咀钳，刀片，锉刀，镊子钳，钻，剪刀，瞬间快干胶。
- 软布同砂纸同时也应该是必备工具。
- 请使用塑料胶水和油漆，模型内不含。
- 谨防小孩吮吮塑料零件，或者将塑料袋套在头上，制作时应将套材远离小孩接触。
- 本产品不适合14岁以下没有经验的模型爱好者。

水贴纸的使用:

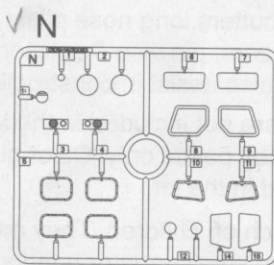
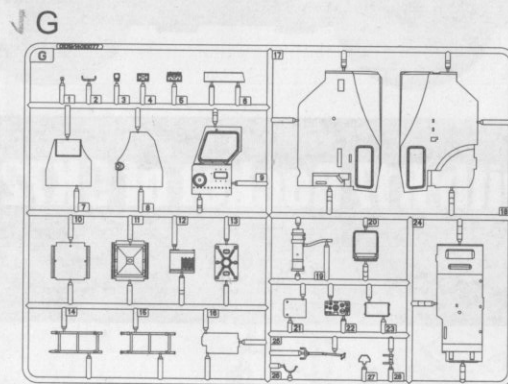
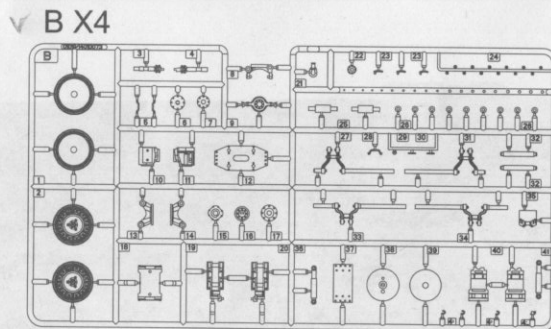
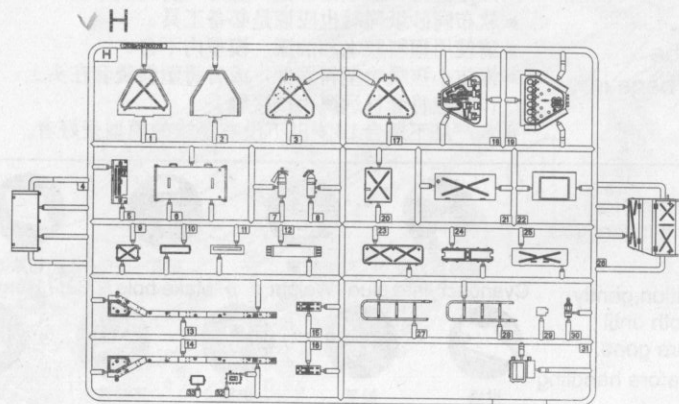
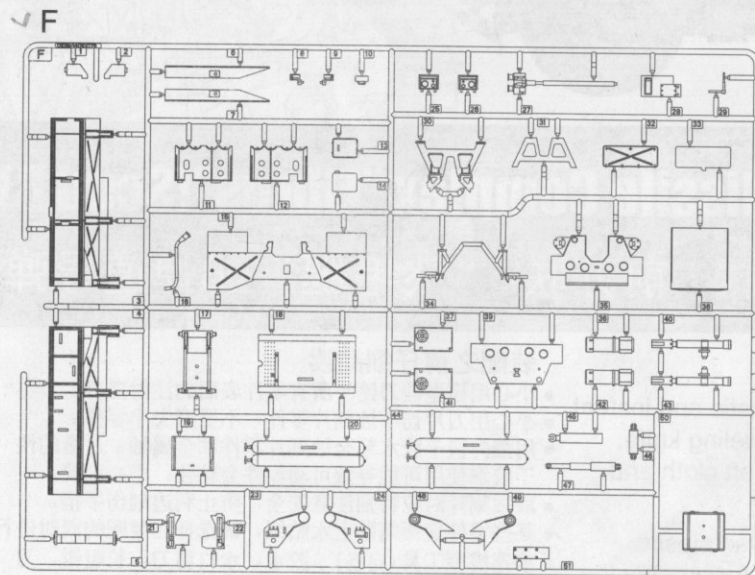
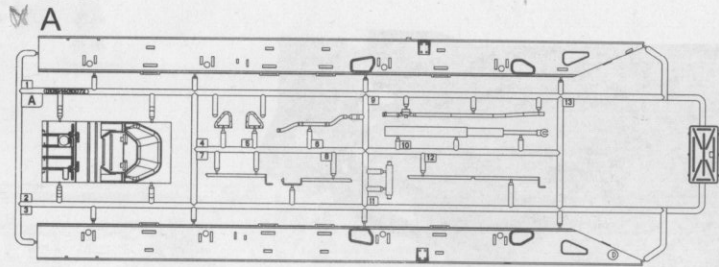
1. 从水贴上剪下印花;
2. 将印花放入温水中浸10秒, 然后放在干净布上。
3. 拿着印花纸板将印花移到模型上;
4. 手指蘸水将印花移到适当的位置;
5. 用软布轻压印花直至水干, 汽泡消失。

DECAL APPLICATION:

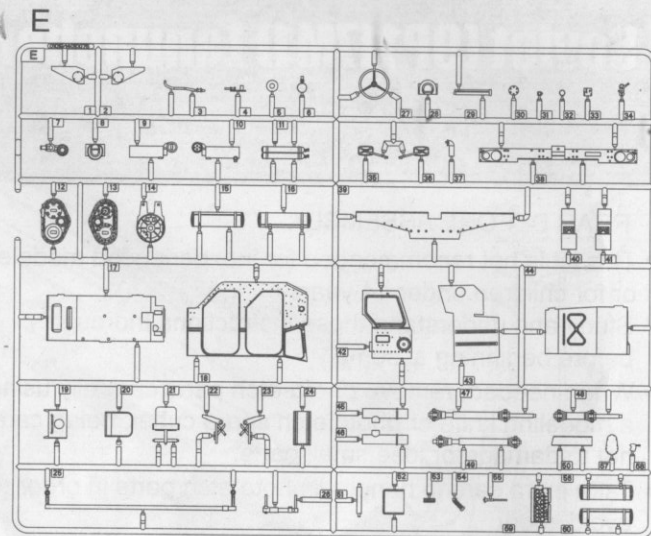
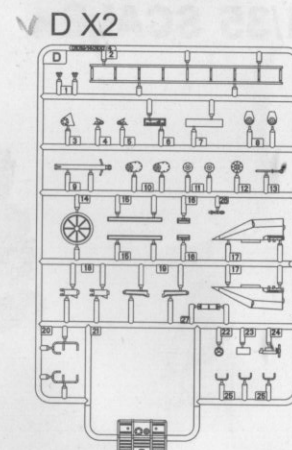
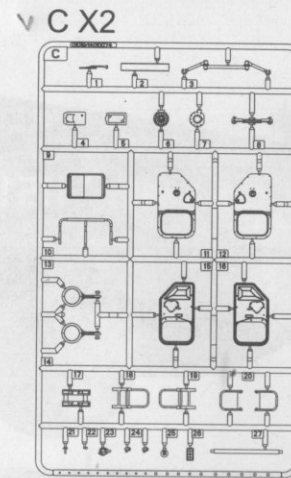
1. Cut decals from sheet as needed
2. Dip the decal in warm water for about 10 seconds and then place on soft clean cloth.
3. Hold the decal backing sheet edge and gently slide the decal onto the model in its proper position.
4. While still wet,decal can be adjusted for better fit on model by dampening it gently with your finger.
5. When placed in the proper position,gently press decal down with a soft cloth until excess water and air bubbles are gone.
6. Allow decal to dry completely before handling model



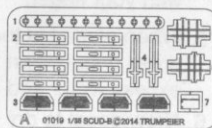
部品图
Parts



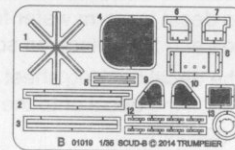
<<轮胎>> X8
Tyre ✓



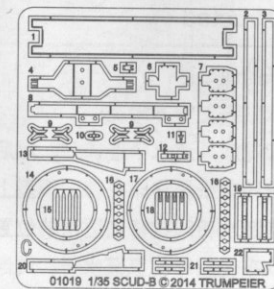
《蚀刻片》-A
PE-A



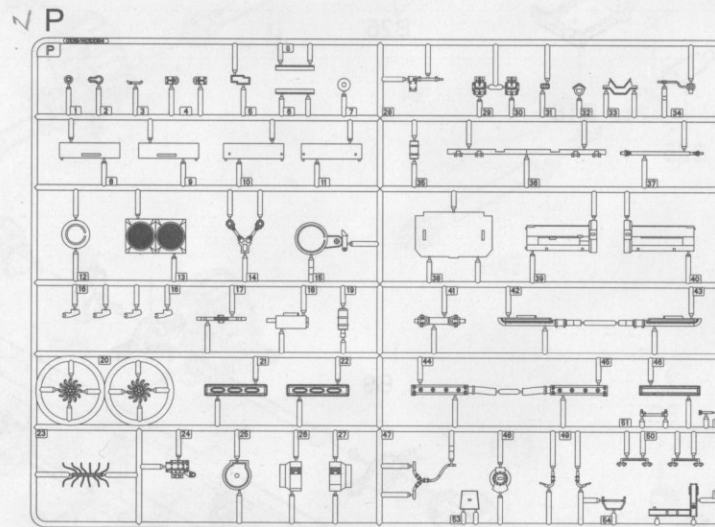
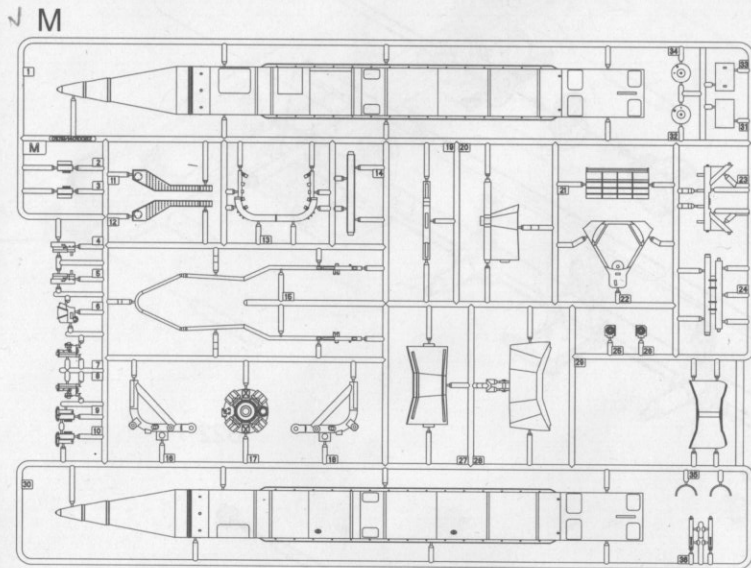
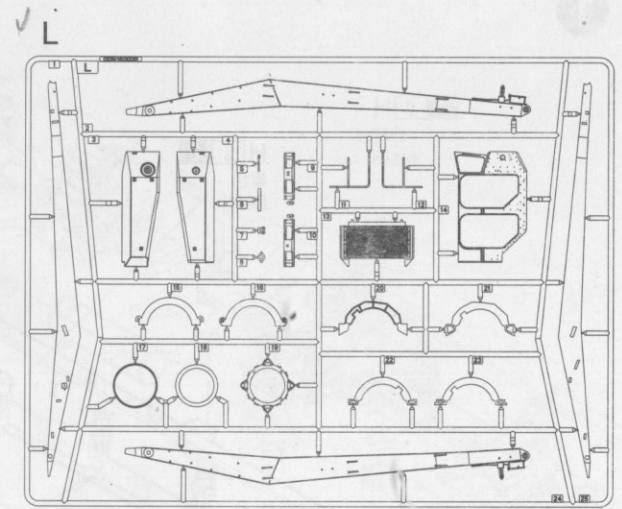
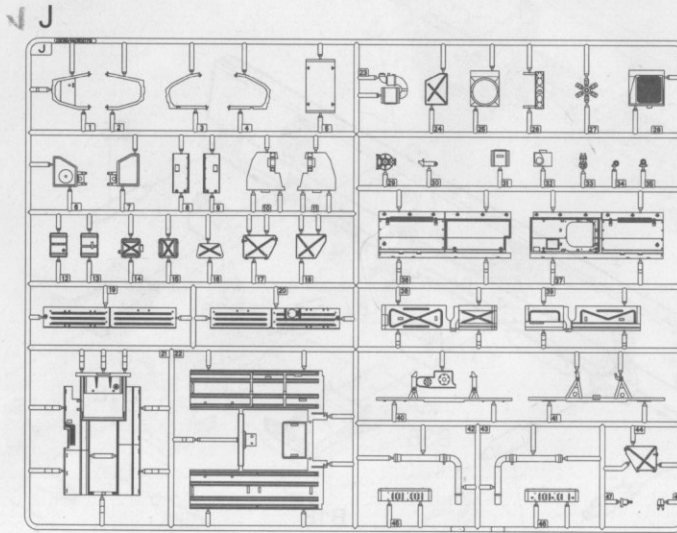
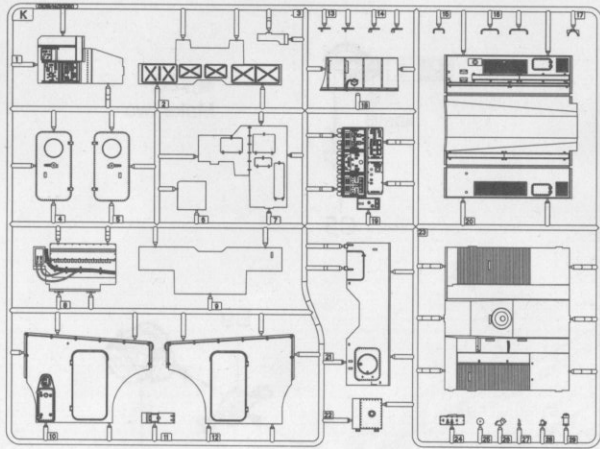
《蚀刻片》-B
PE-B



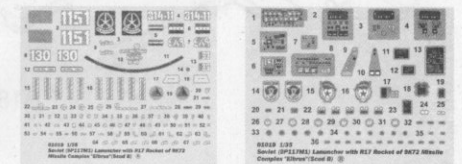
《蚀刻片》-C
PE-C



部品图
Parts



<<水贴>>
Decal

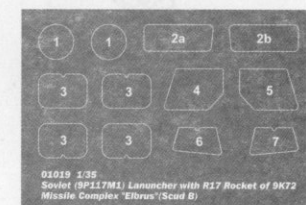


✓ A

✓ B

<<遮盖贴纸>>

Die-cut mtask



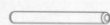
<<金属钉>> X2

✓ Metal tack



<<金属轴>> X4 Ø.8X6.0mm

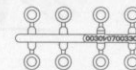
✓ Metal axes



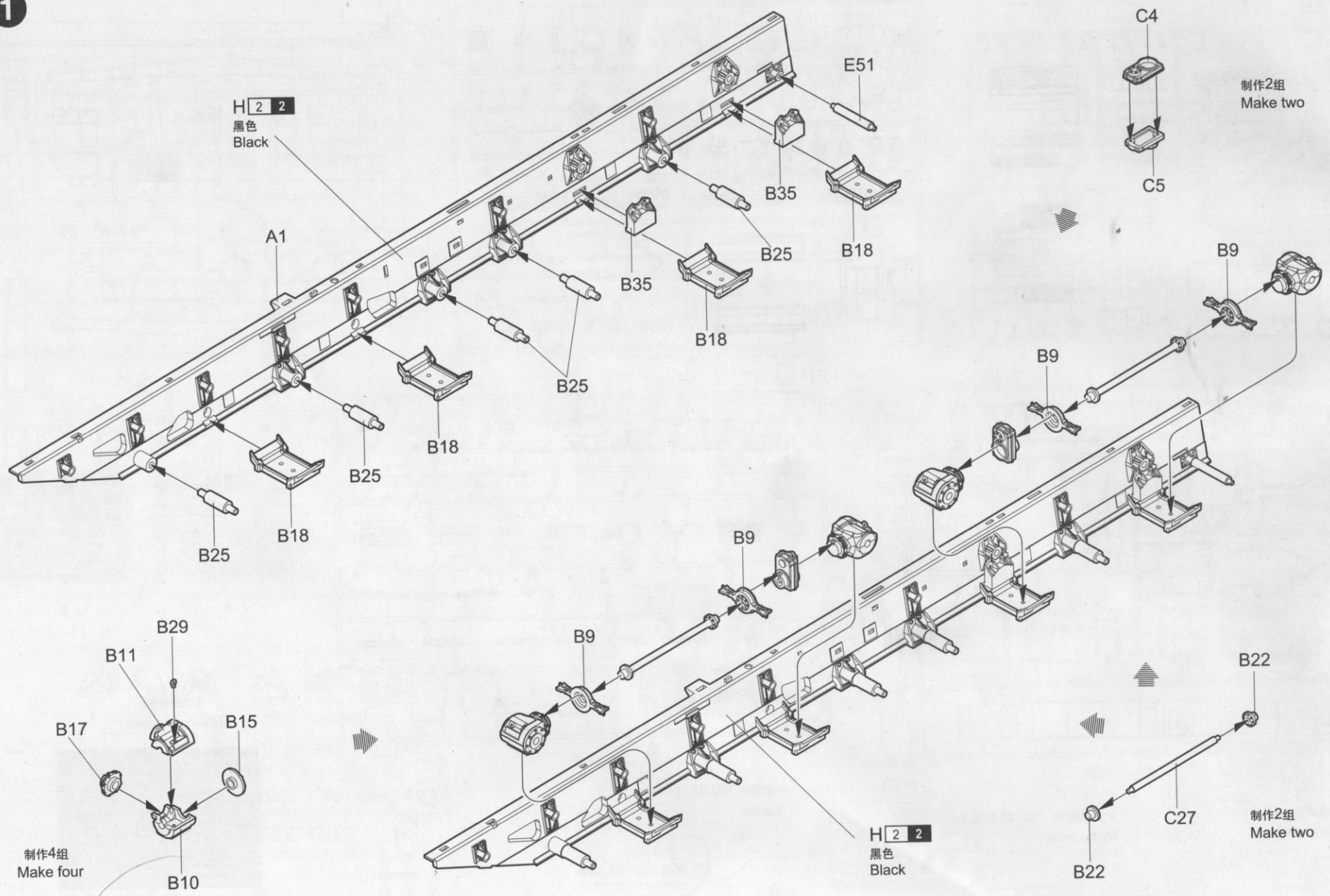
<<铜缆>> Ø0.8X150mm
Cable



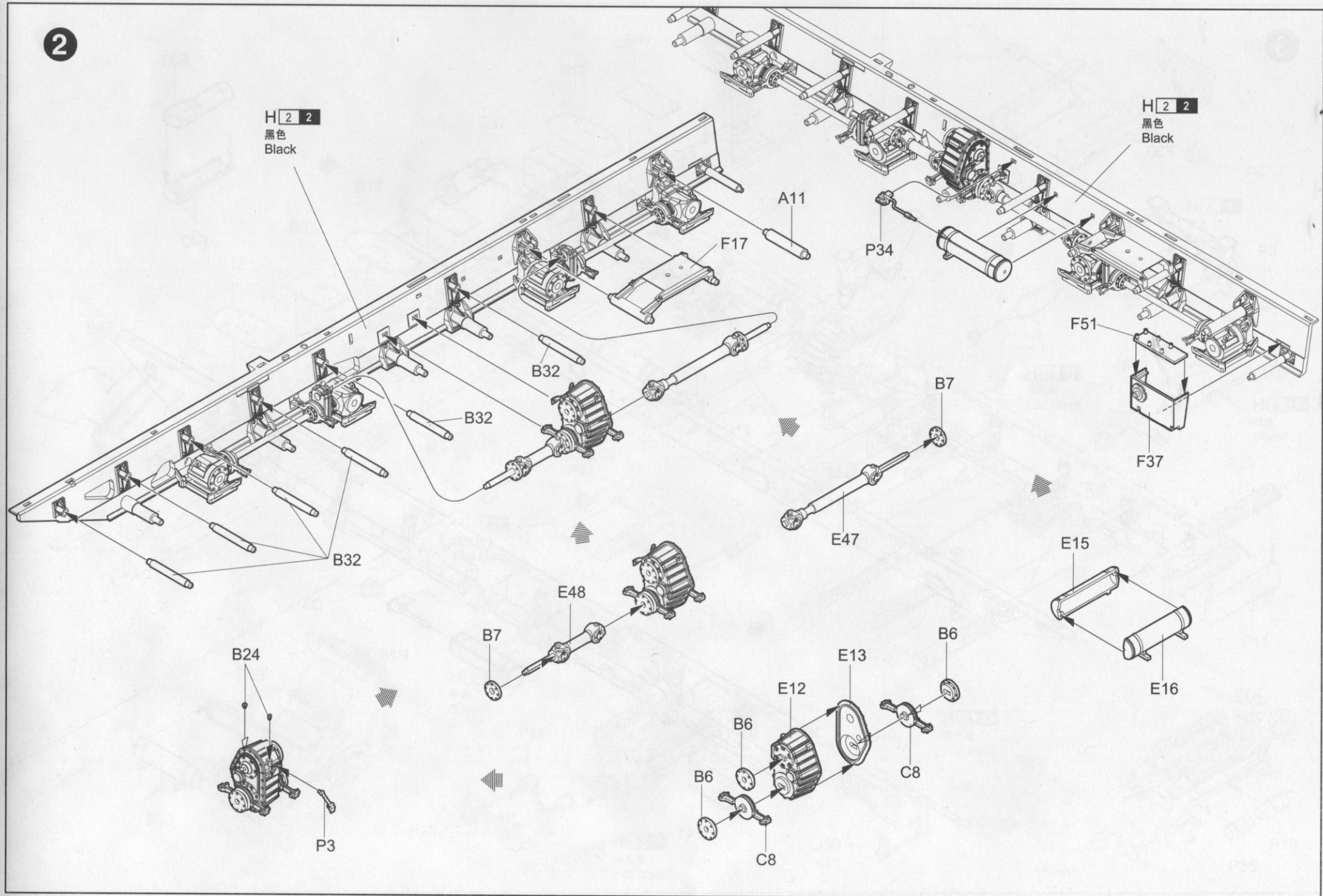
聚乙烯套
Poly cap



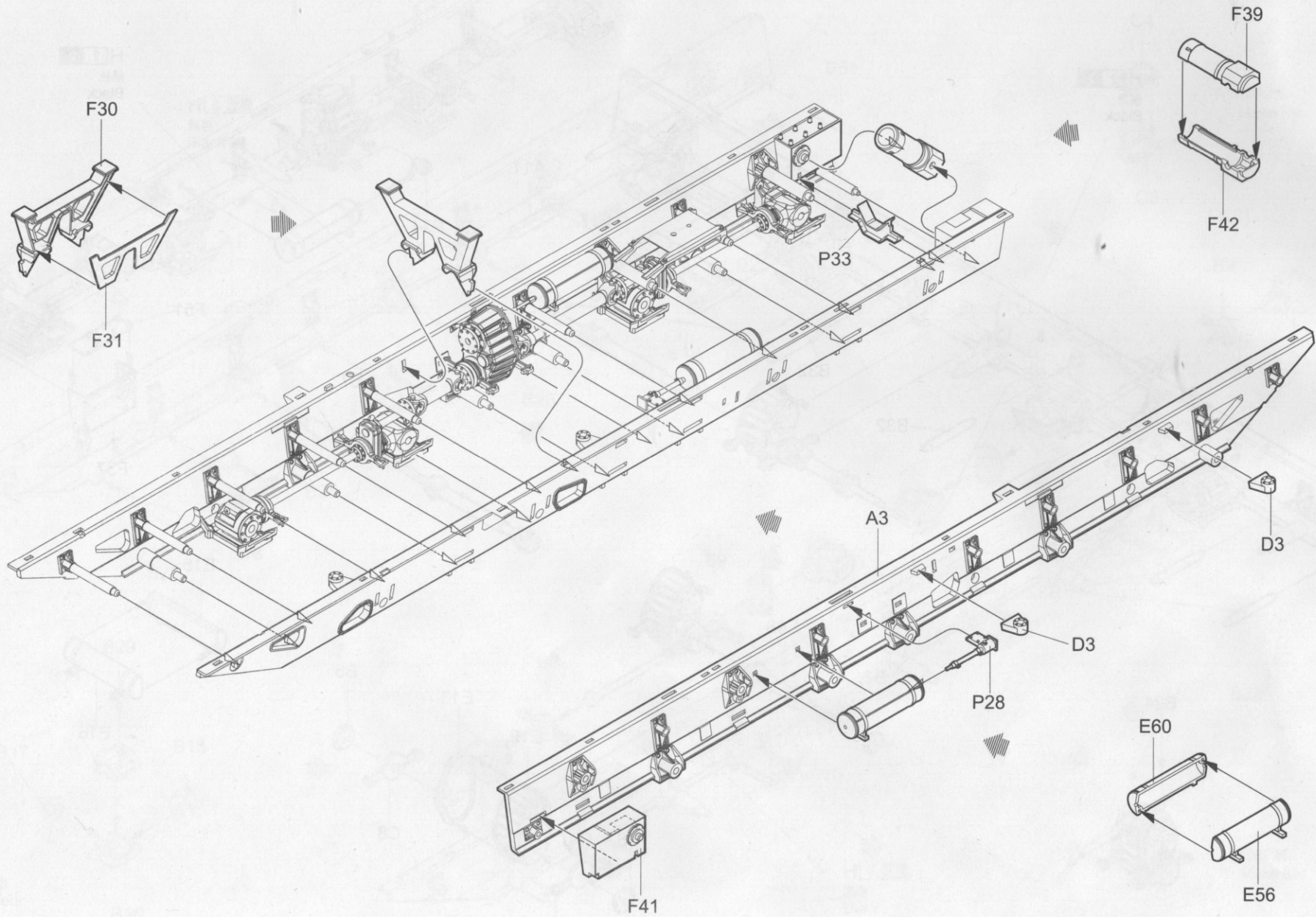
1



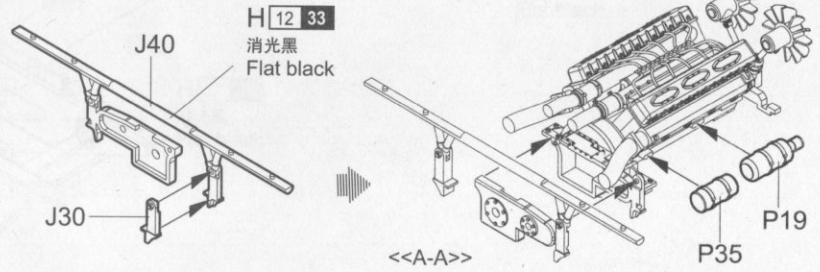
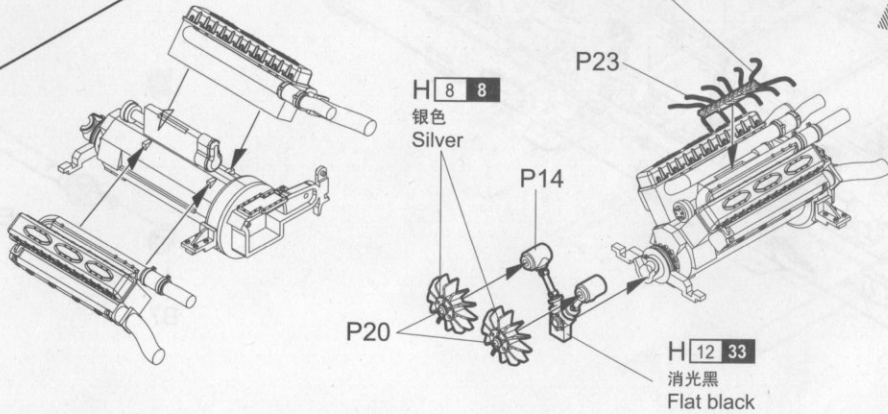
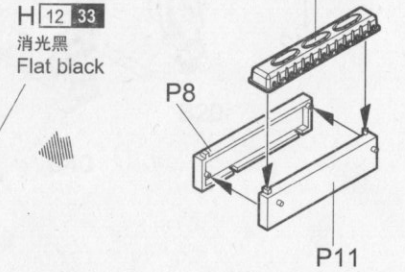
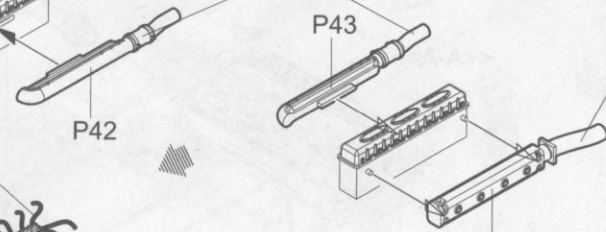
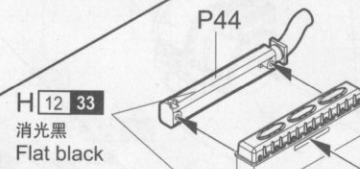
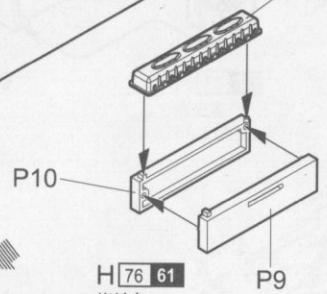
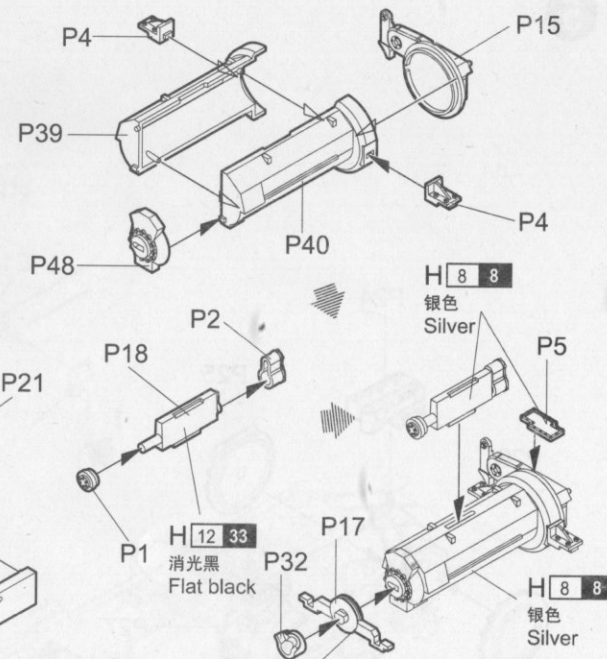
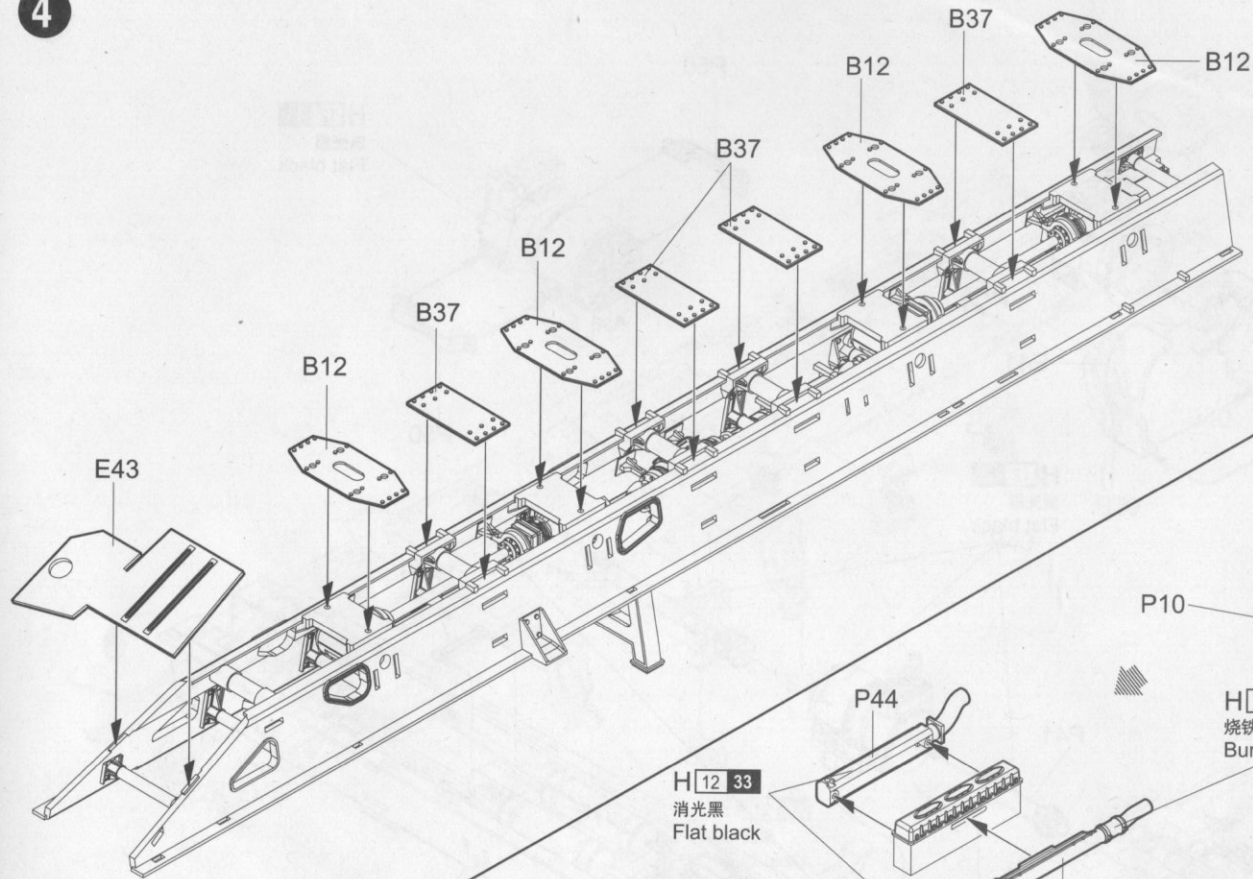
2



3

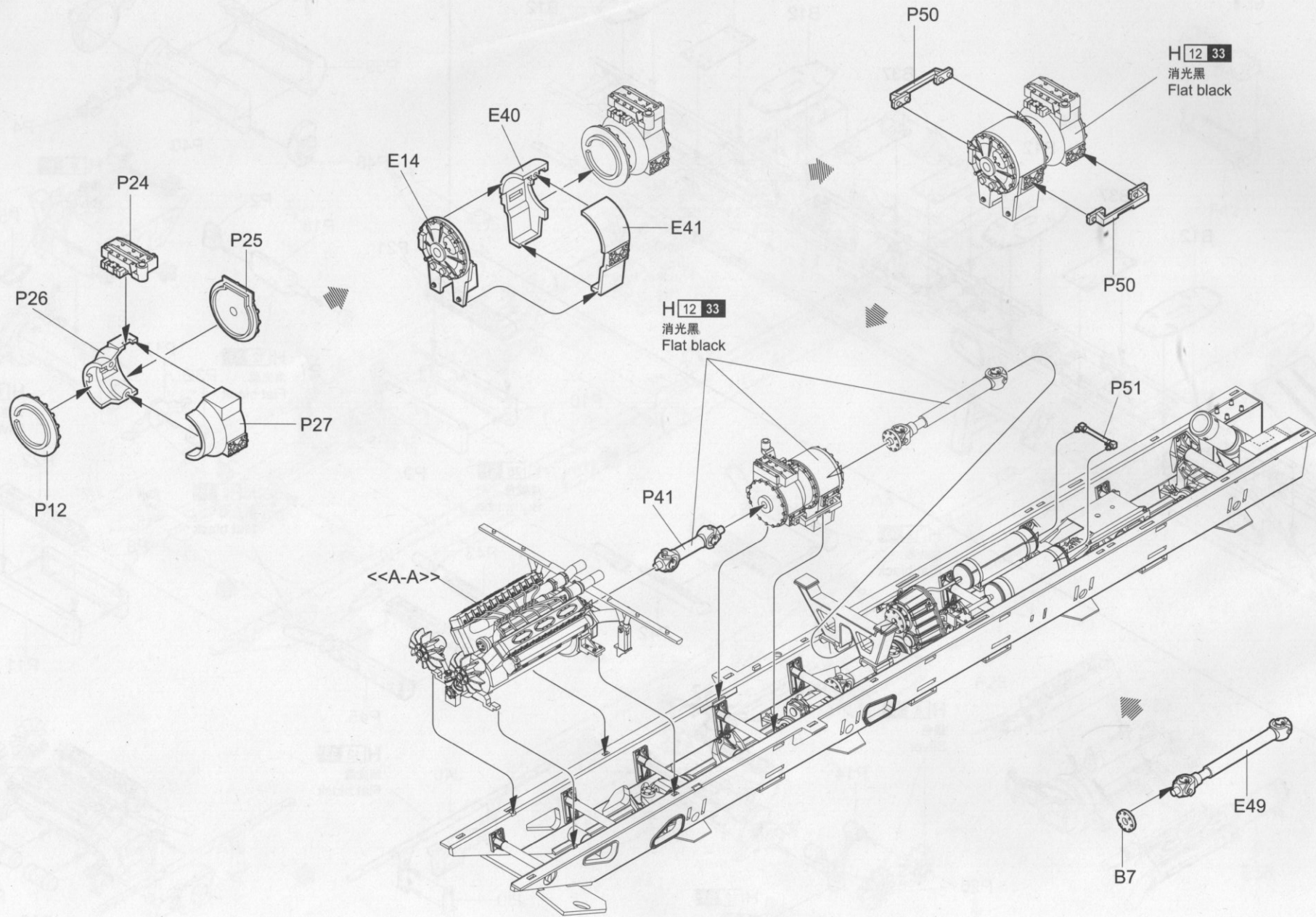


4

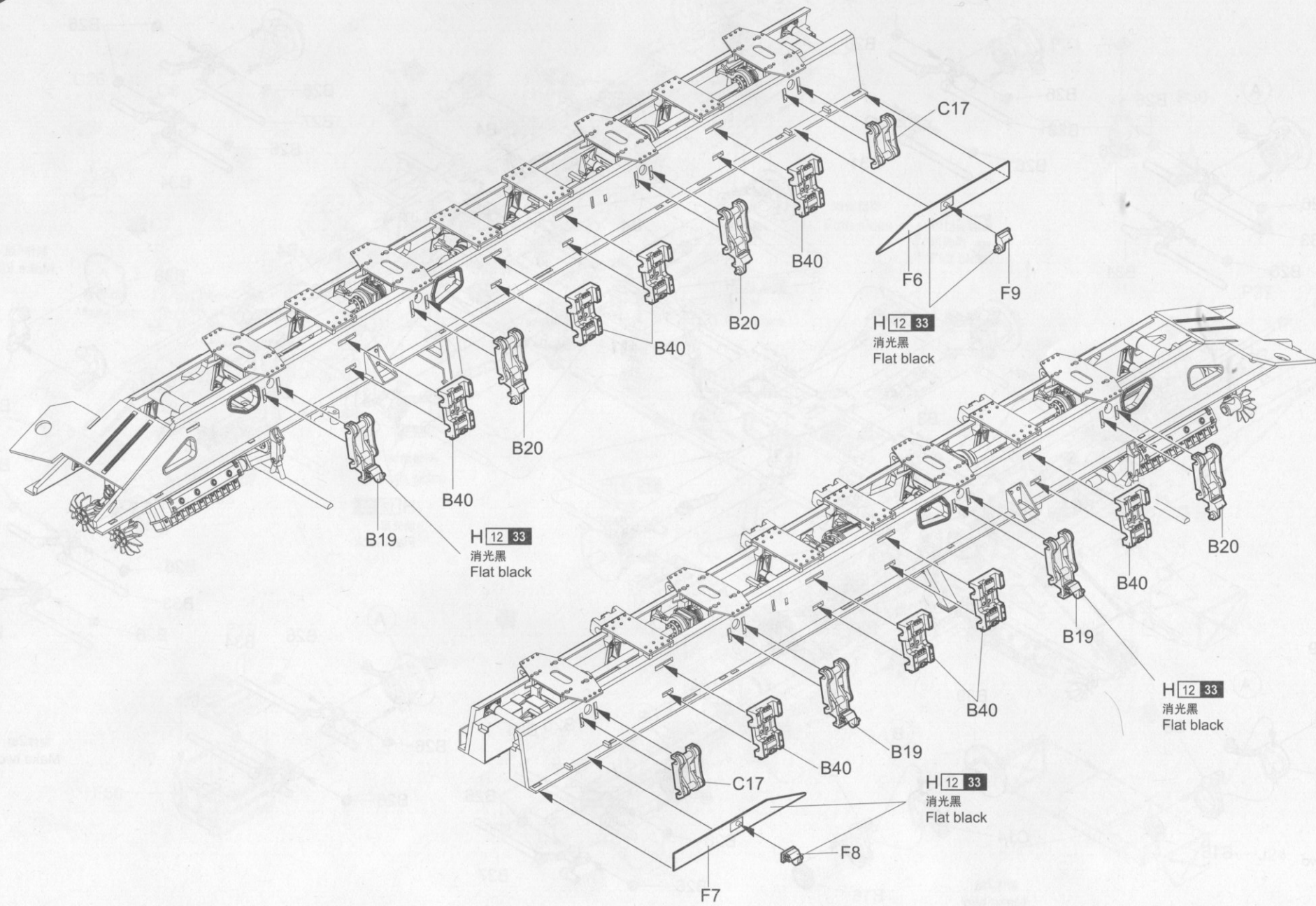


<<A-A>>

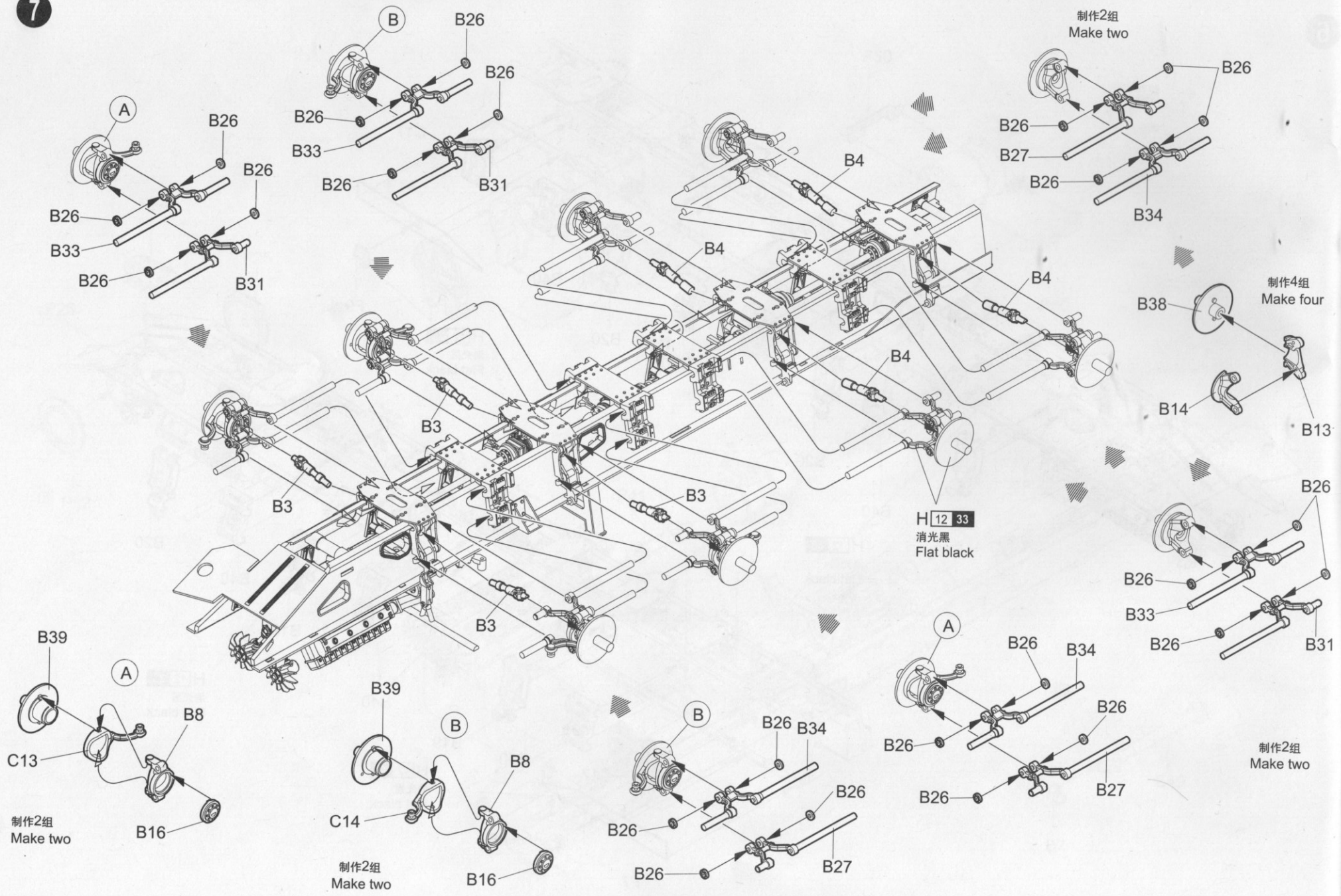
5



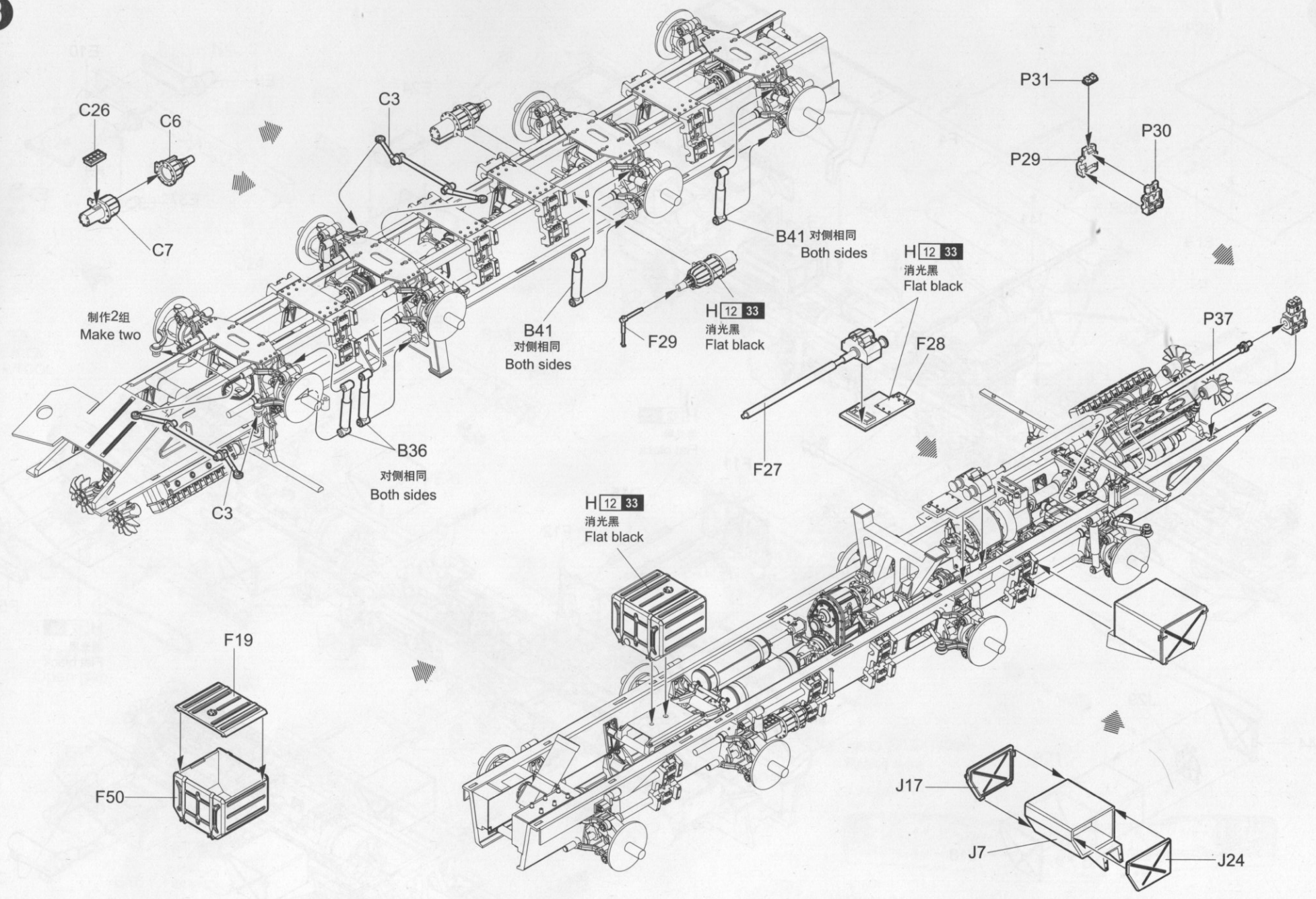
6

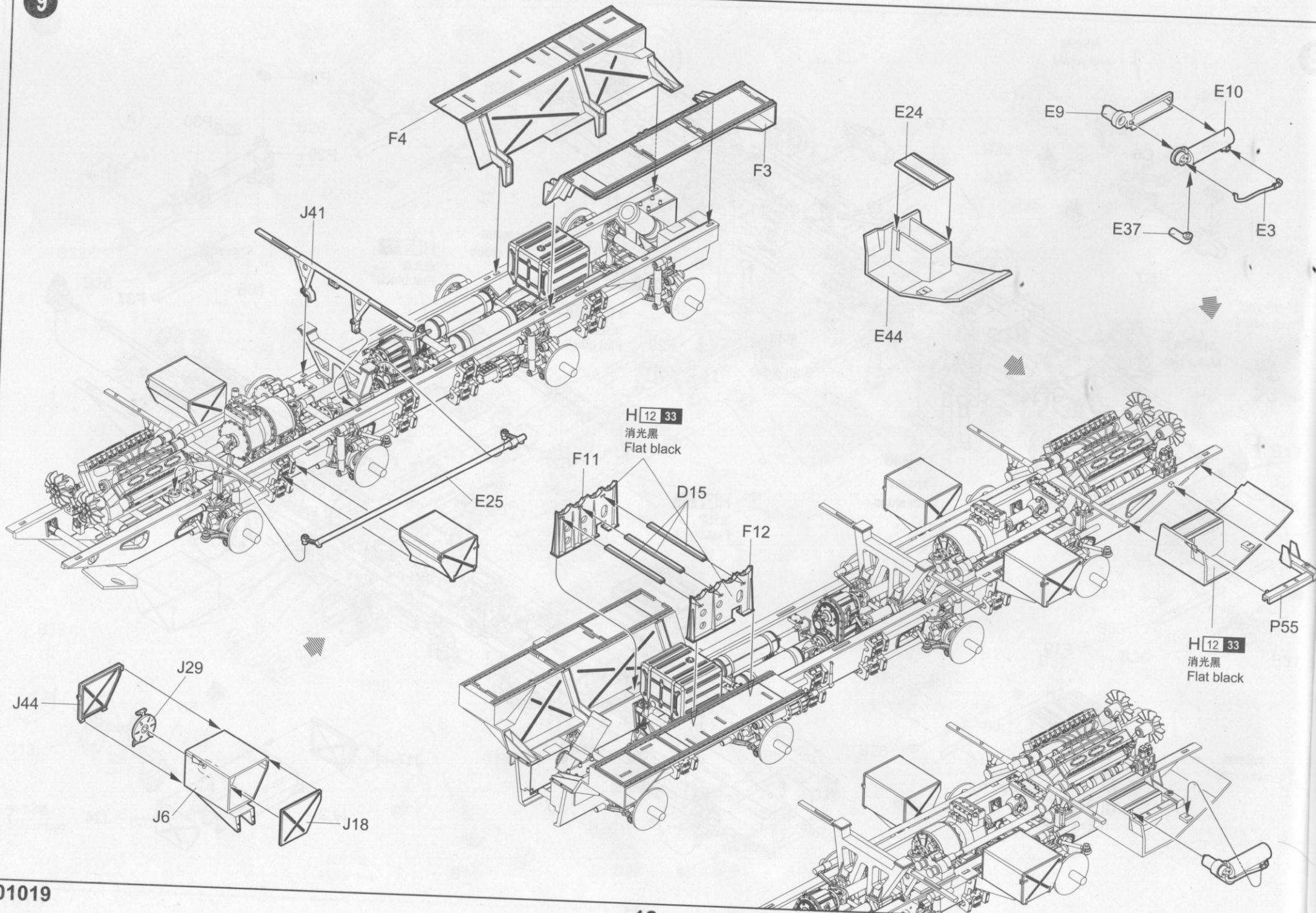


7

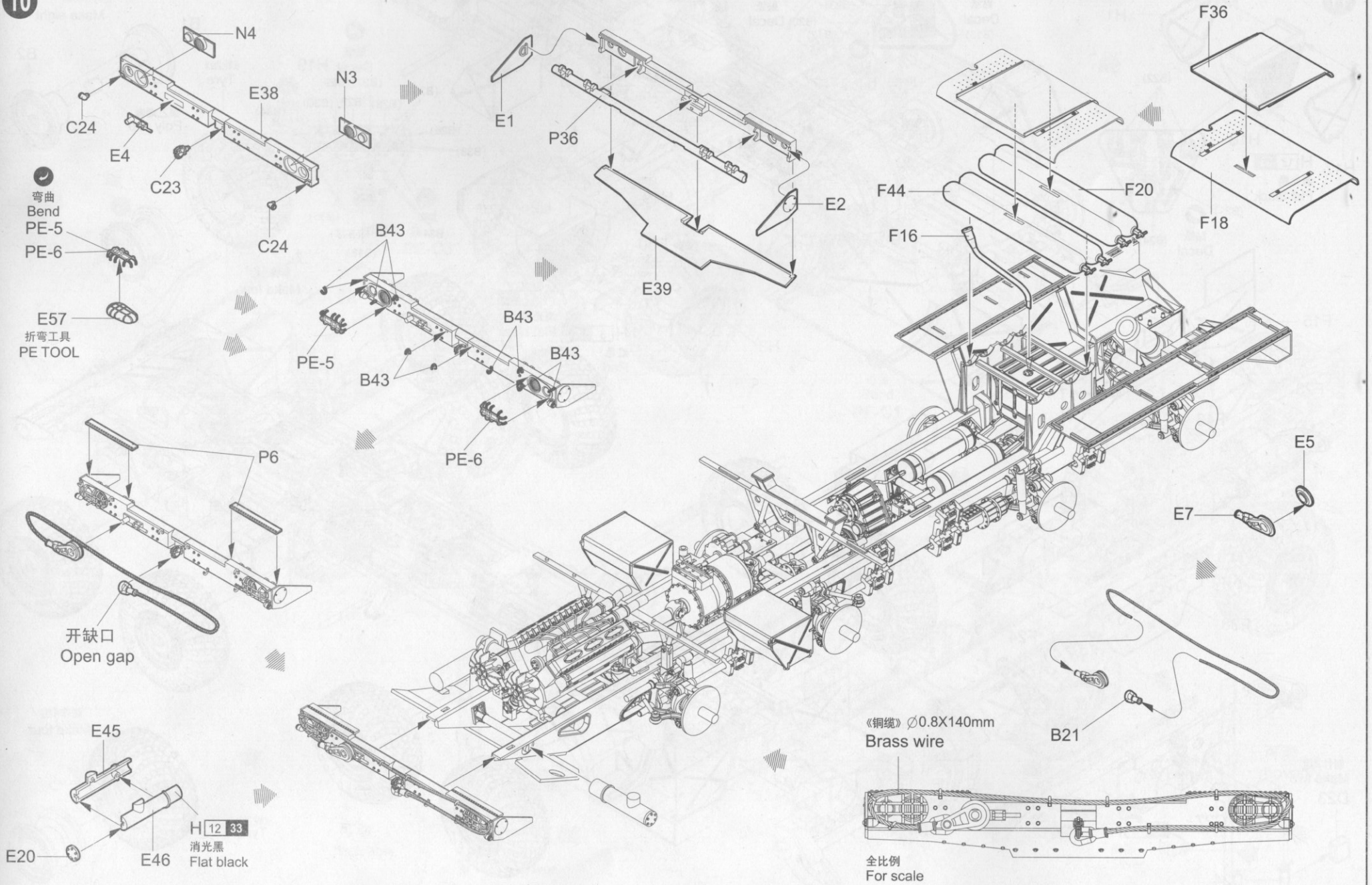


01019

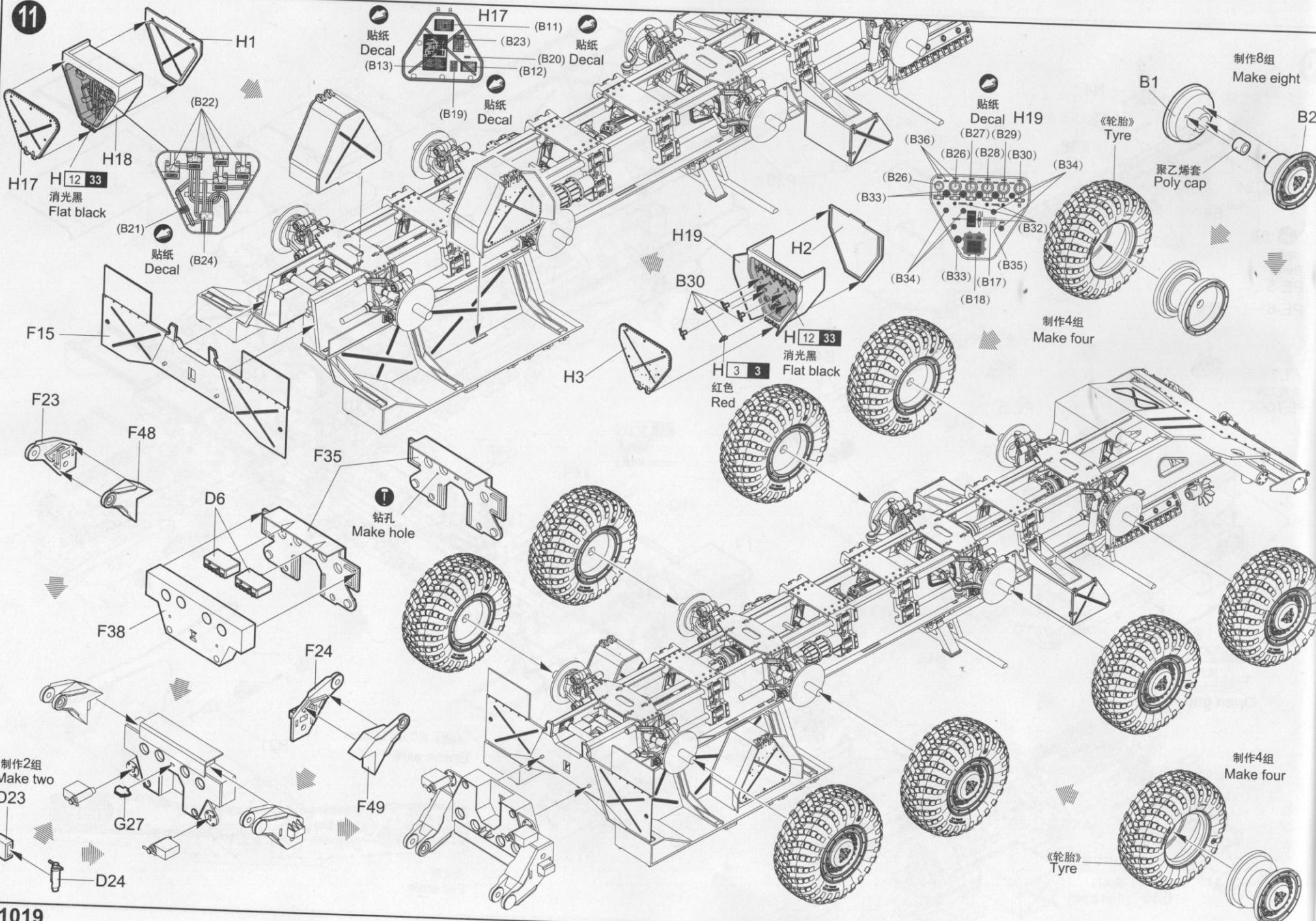




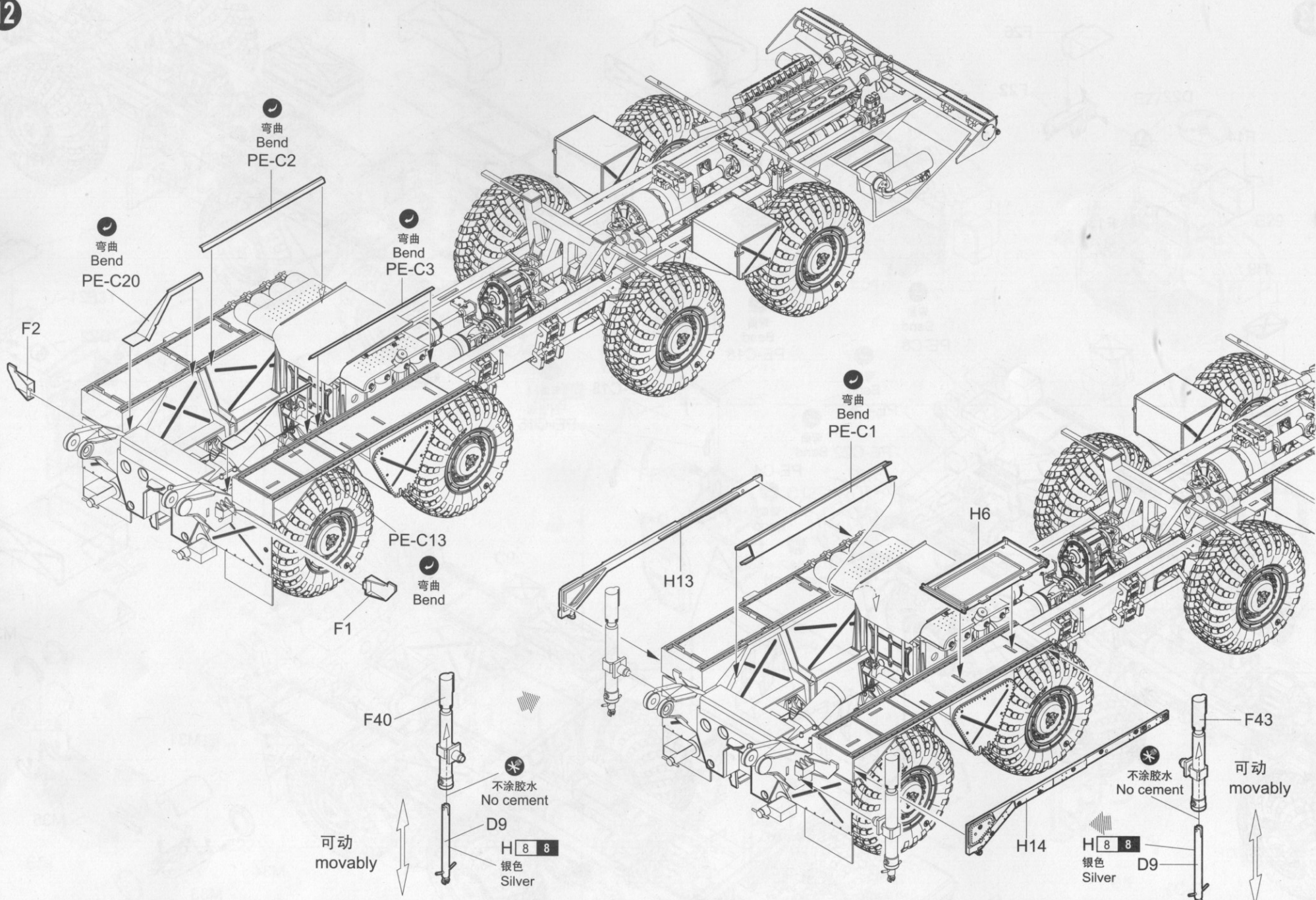
10



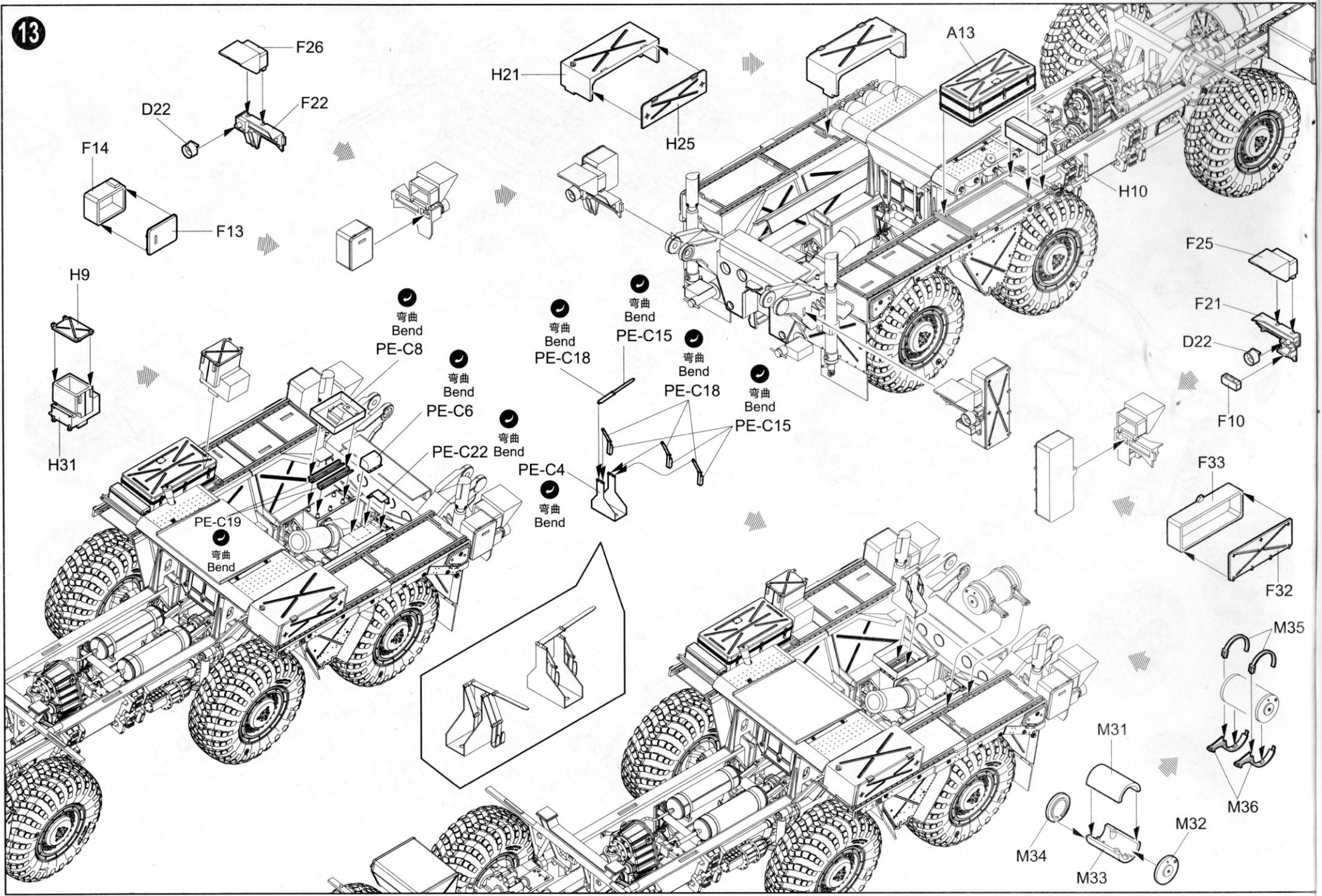
11



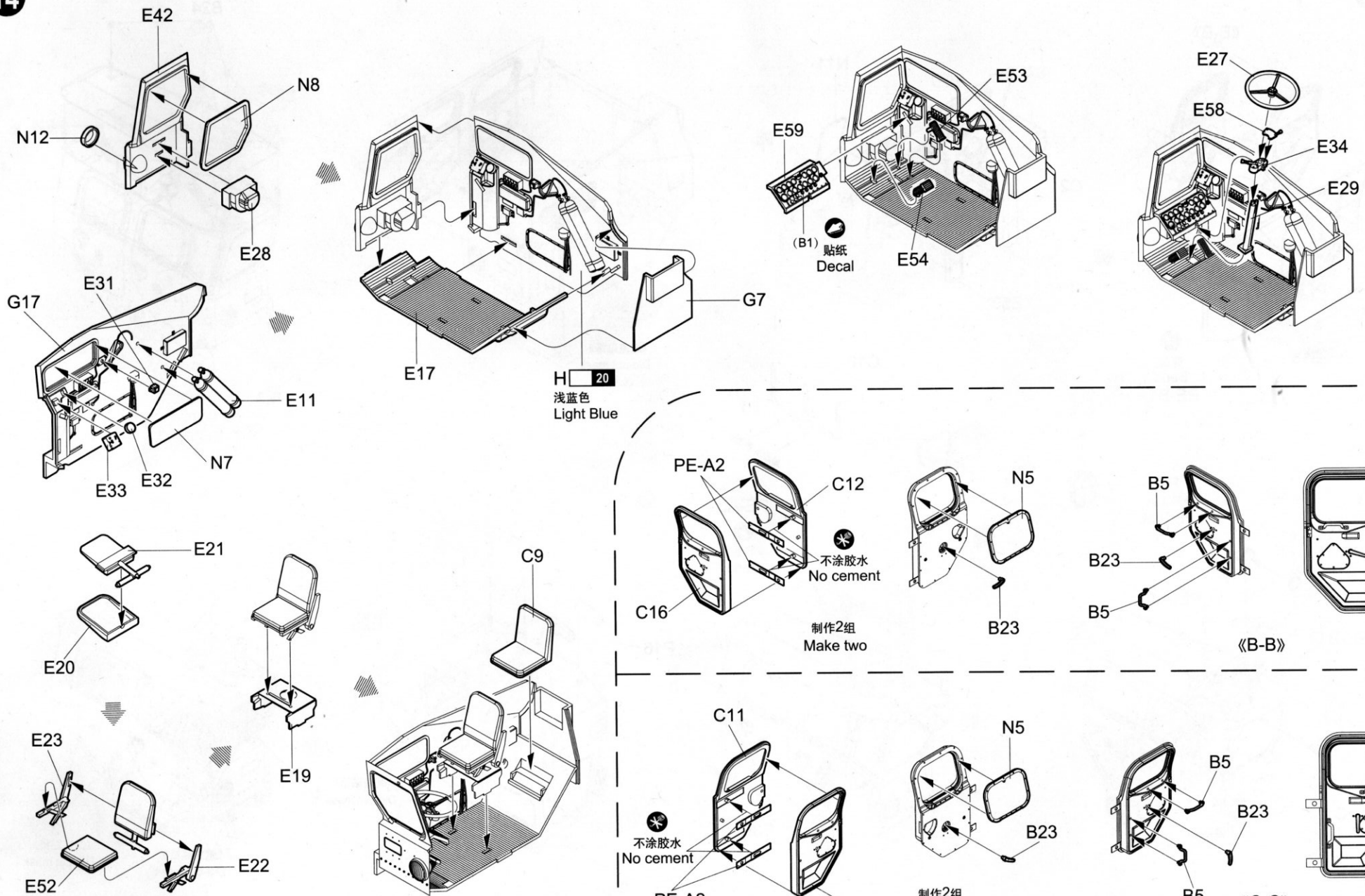
01019



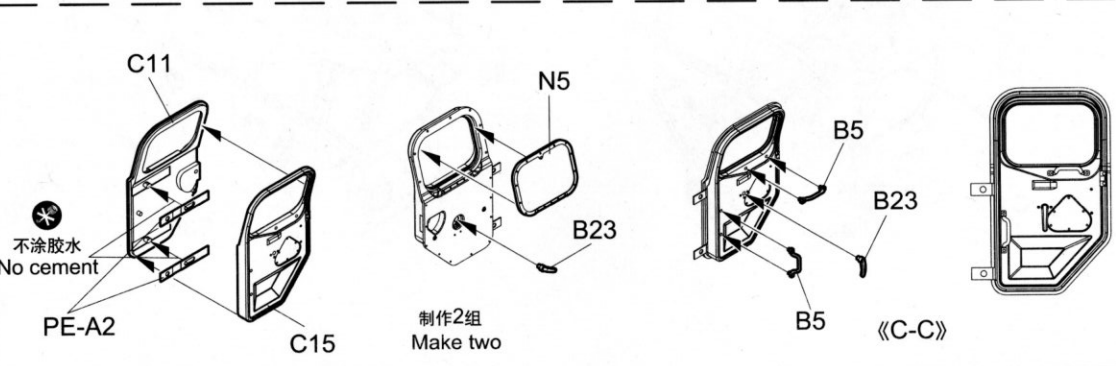
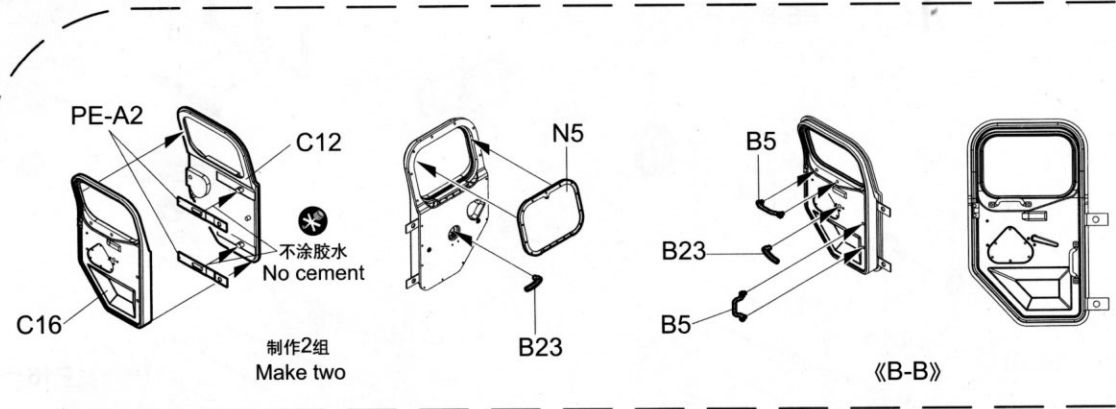
13



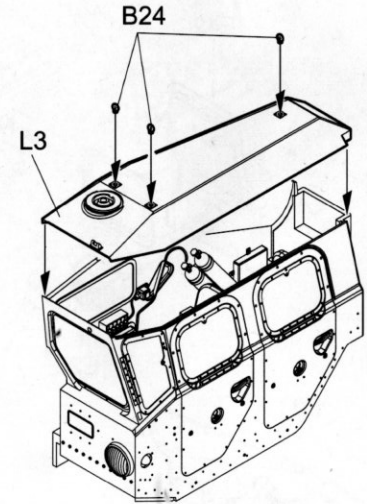
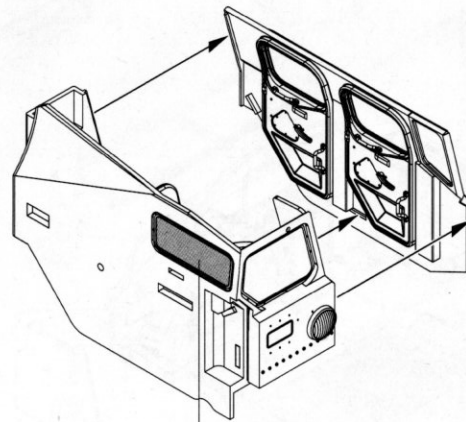
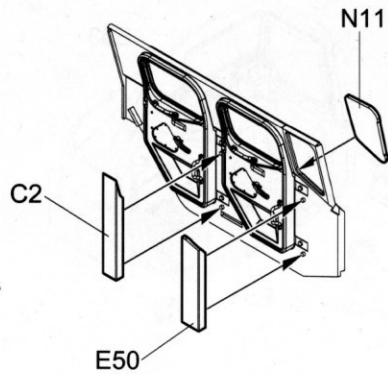
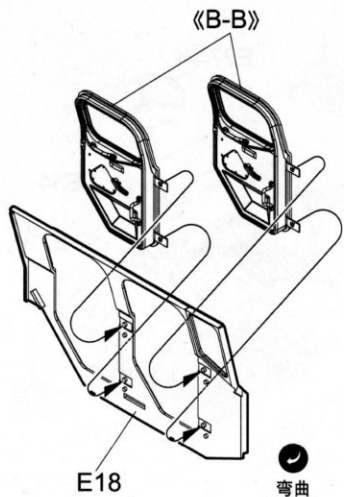
14



H 20
浅蓝色
Light Blue



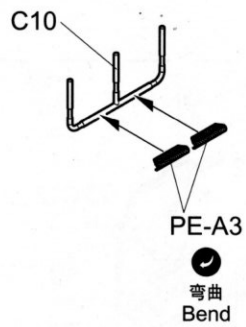
15



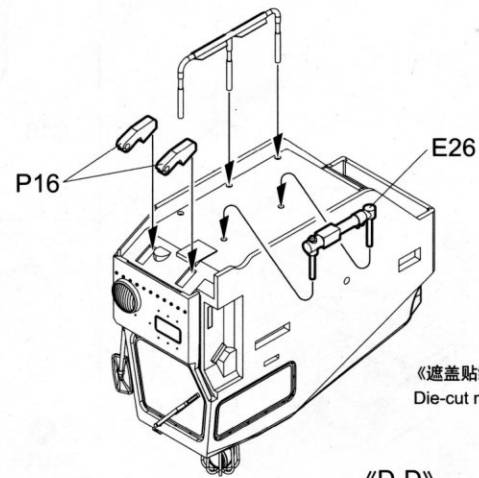
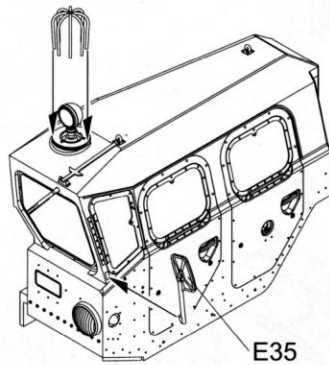
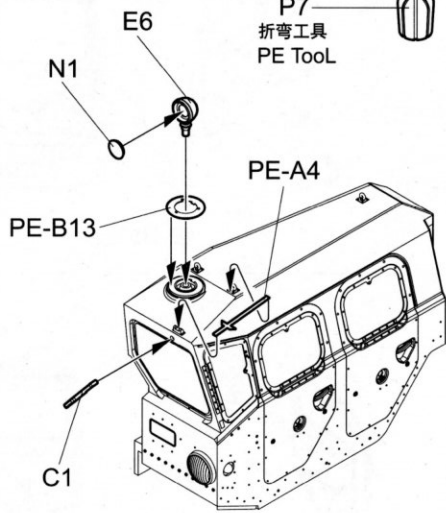
弯曲
Bend
PE-B1



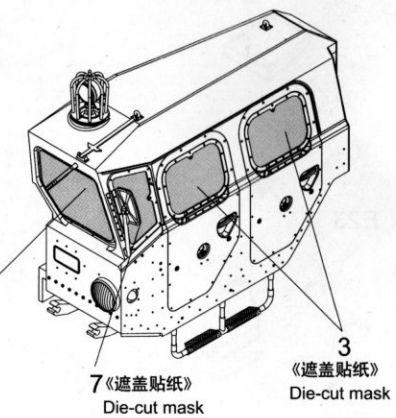
P7
折弯工具
PE Tool

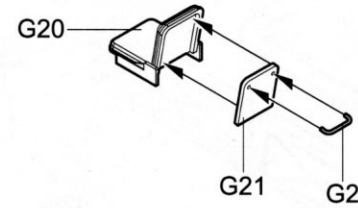
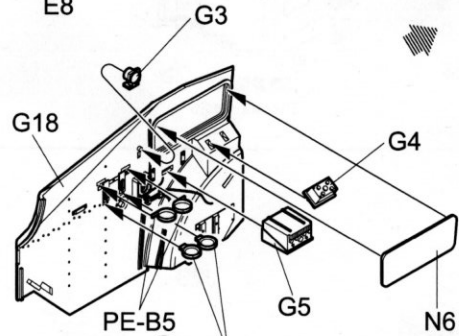
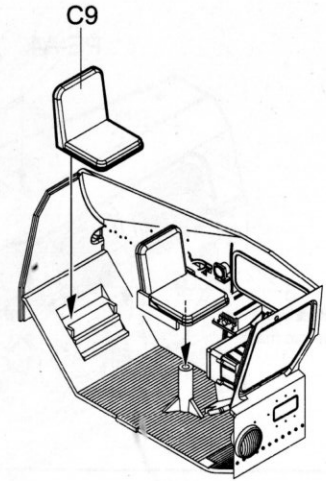
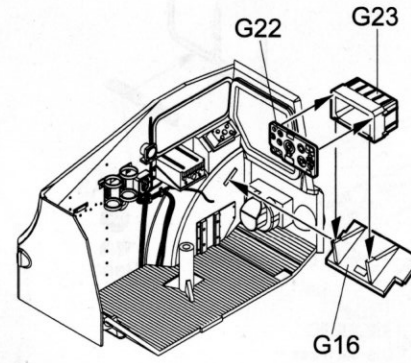
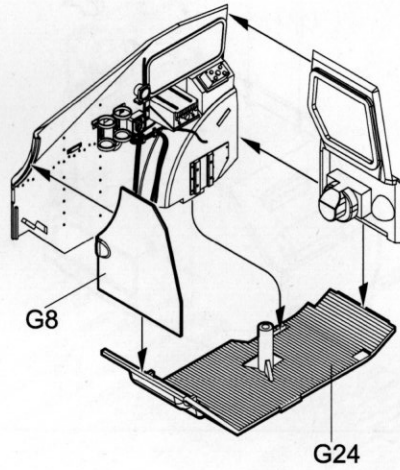
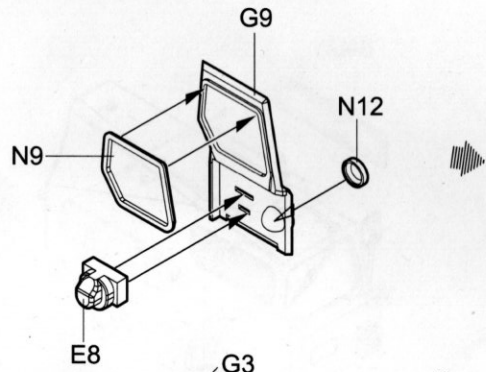


弯曲
Bend

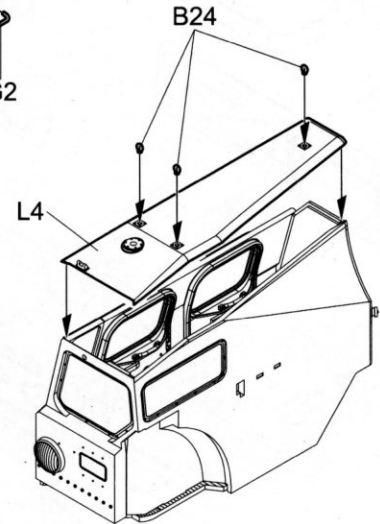
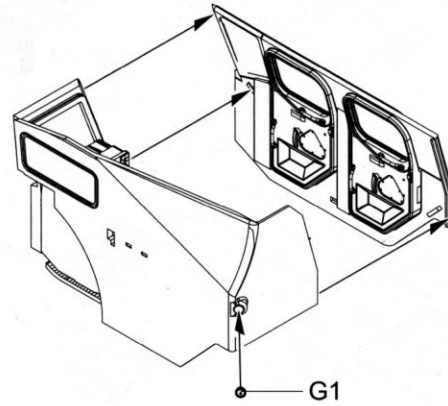
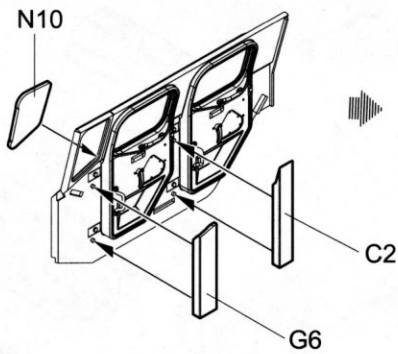
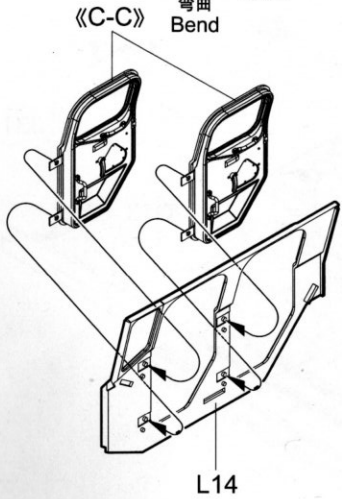


«D-D»

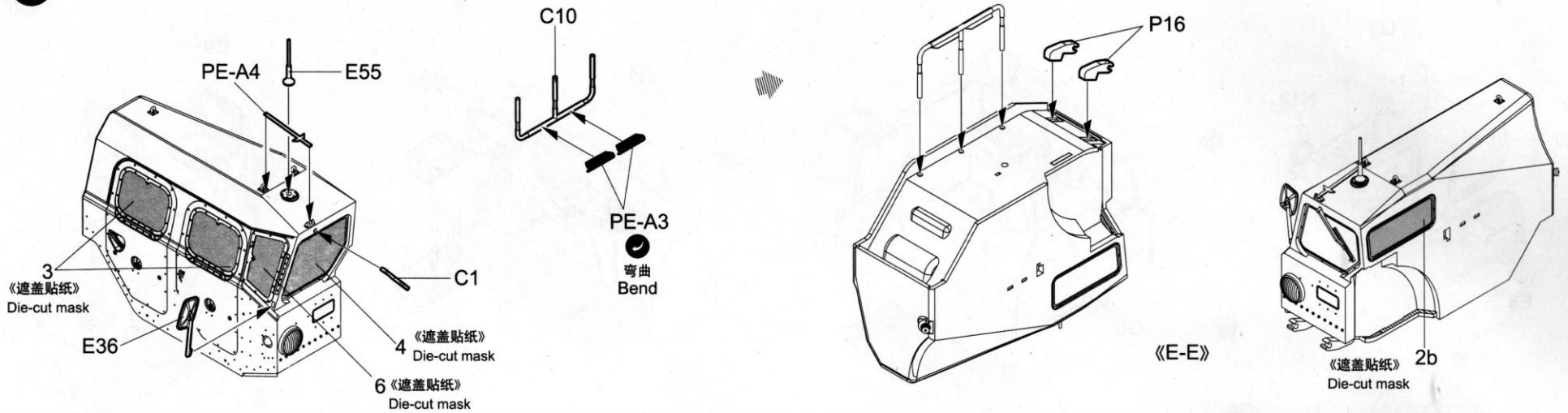




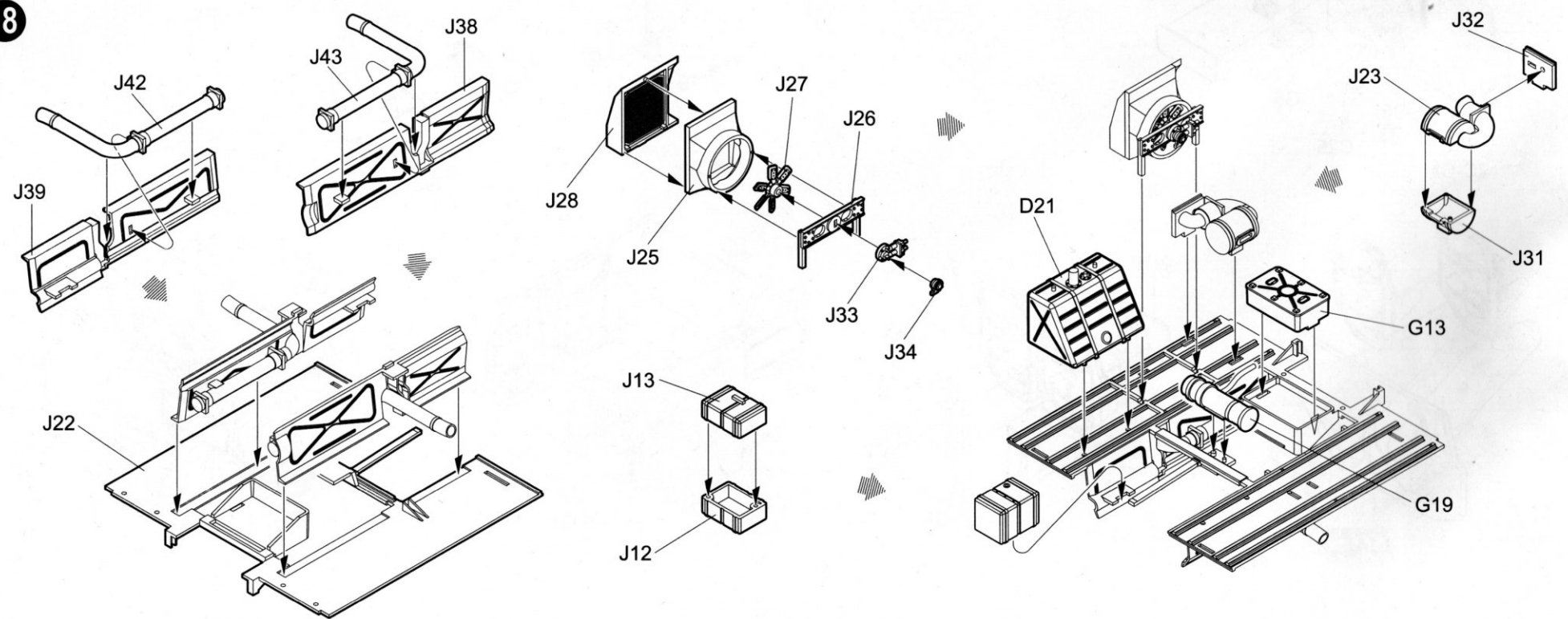
«C-C»
弯曲
Bend

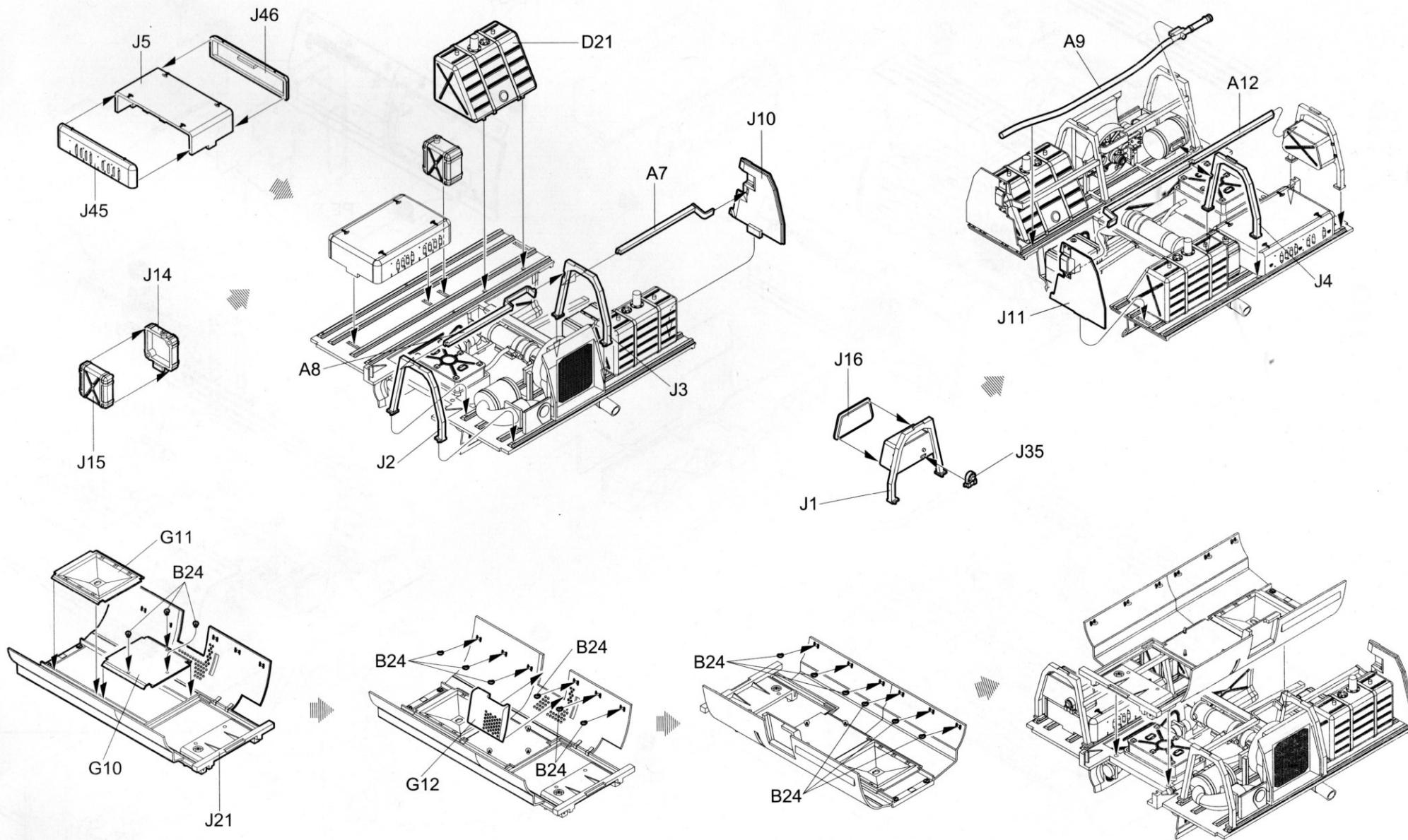


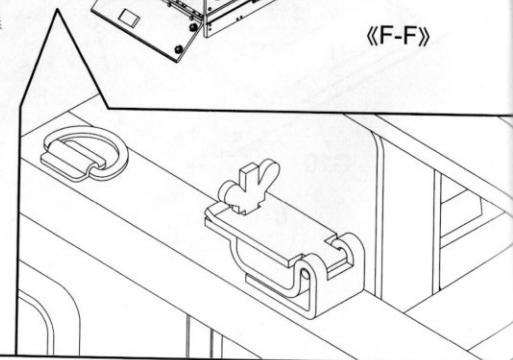
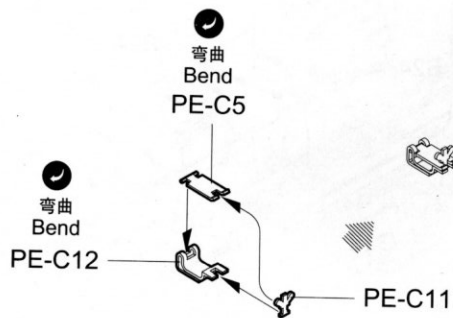
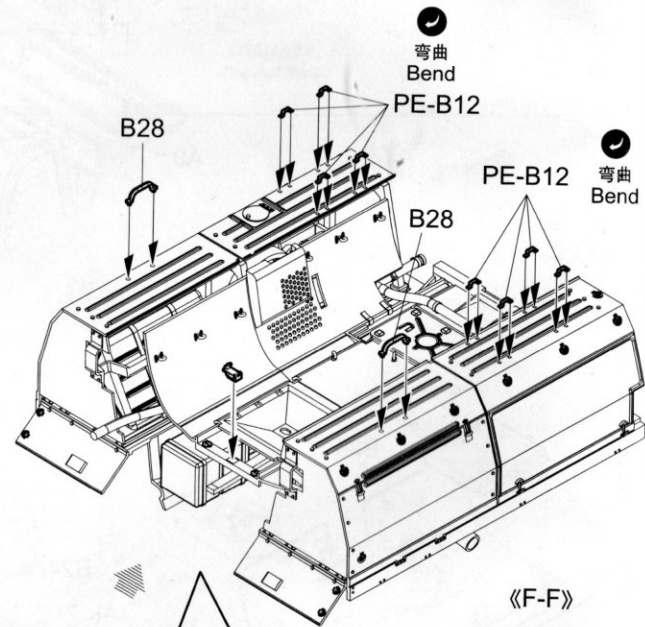
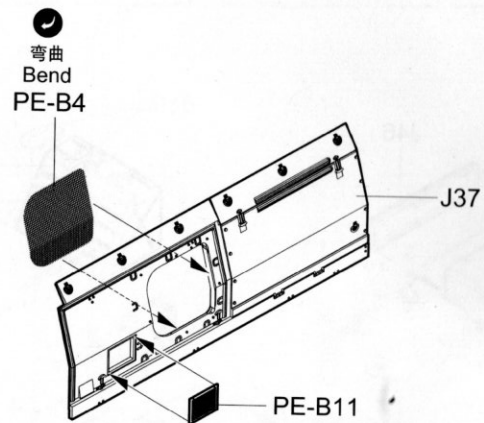
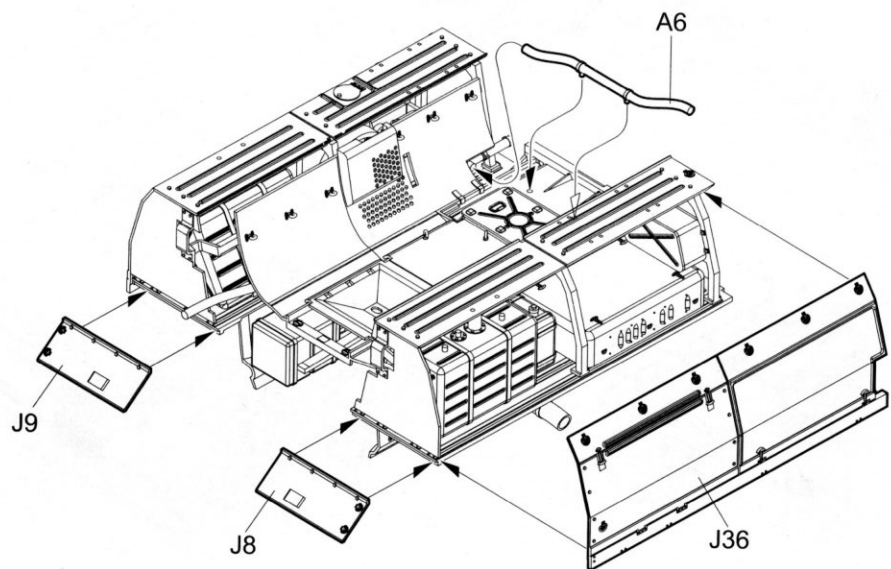
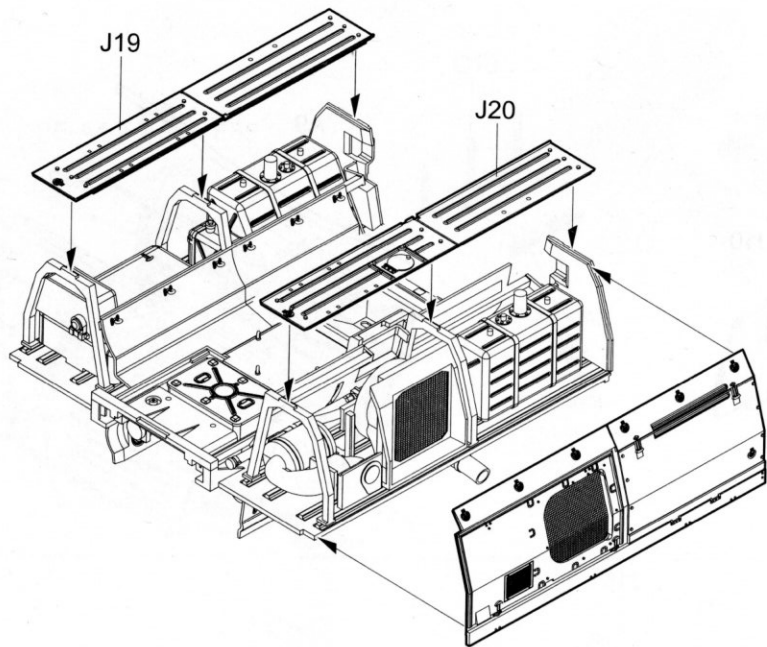
17

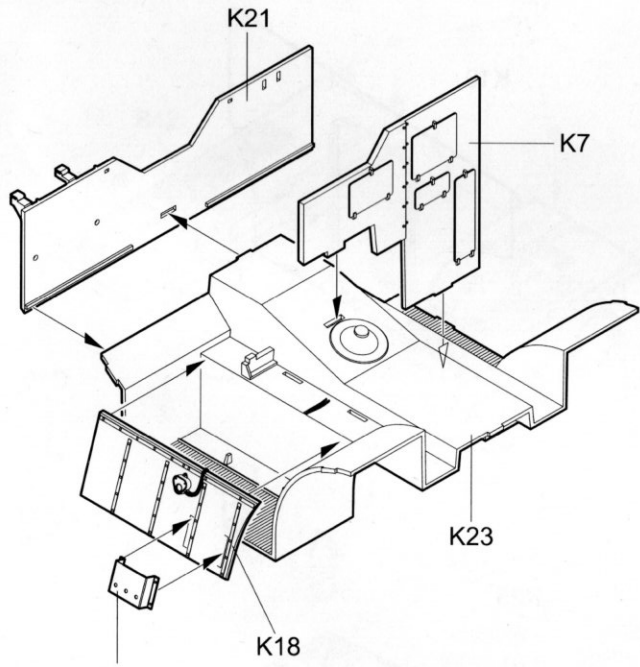


18



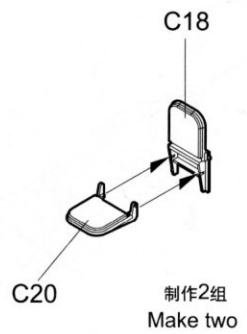
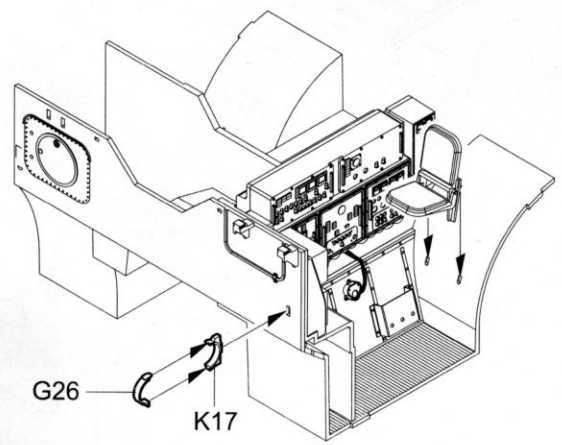
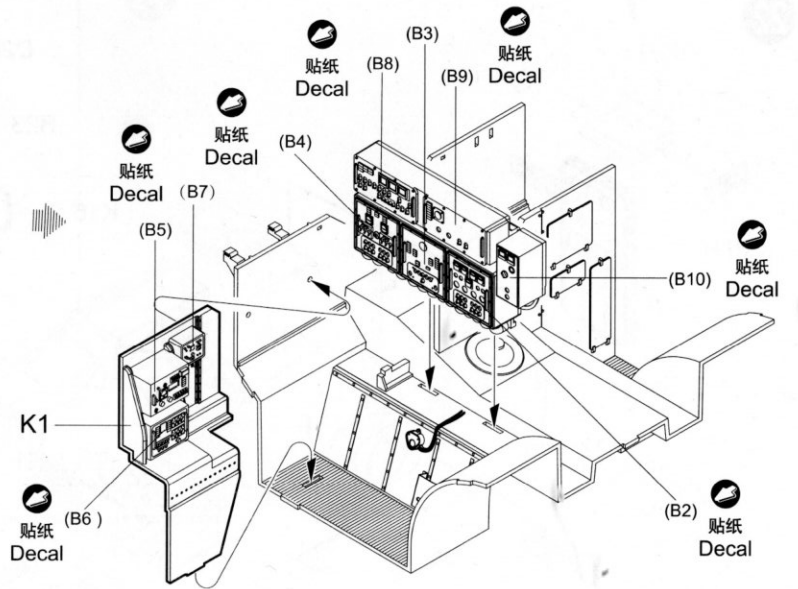
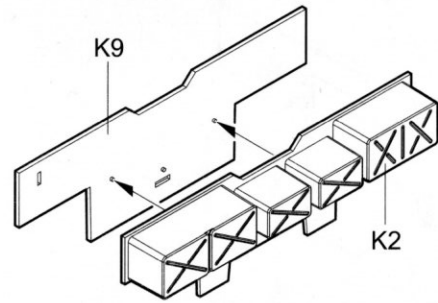
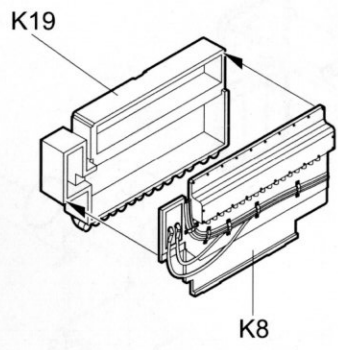




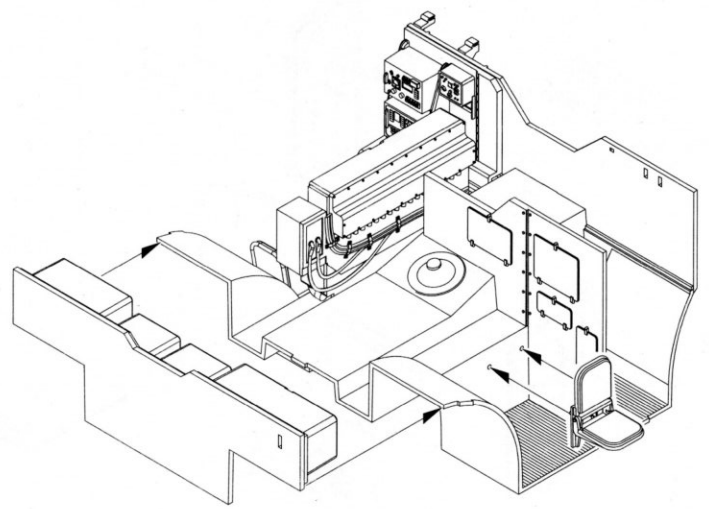


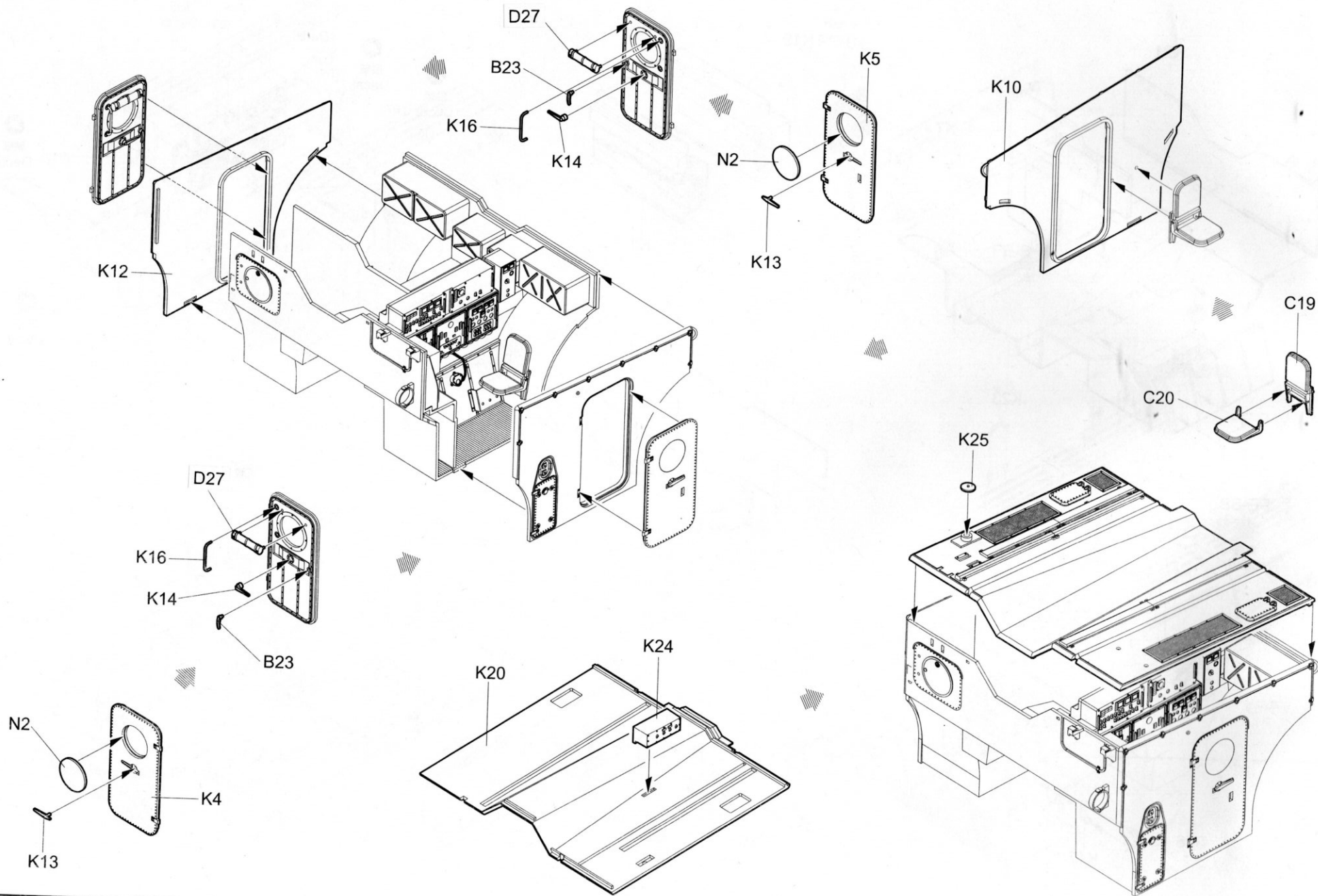
PE-B8

 弯曲
 Bend

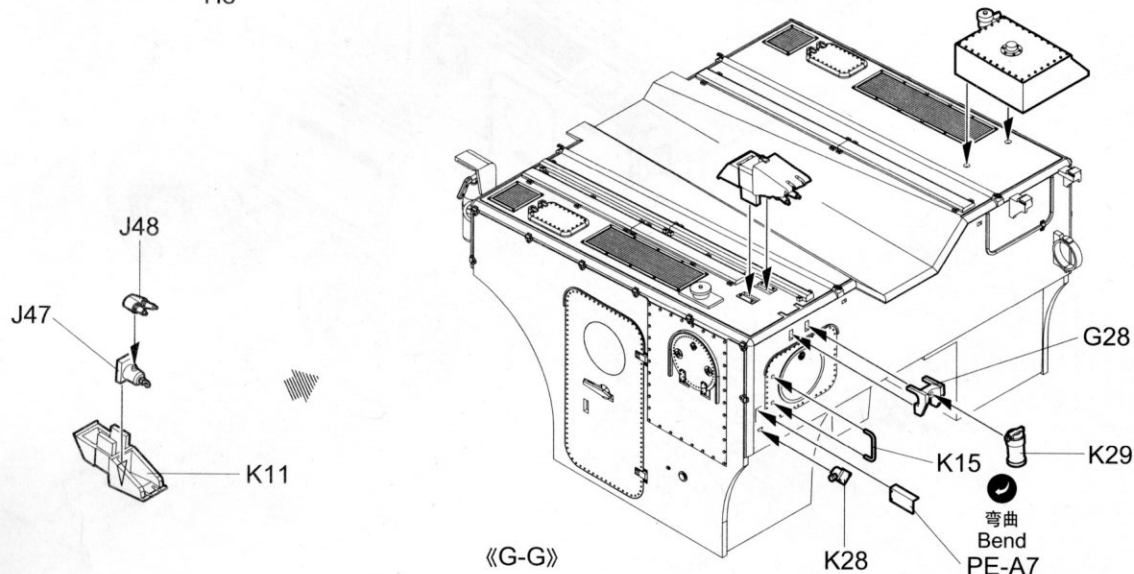
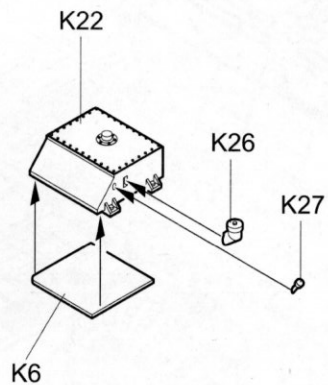
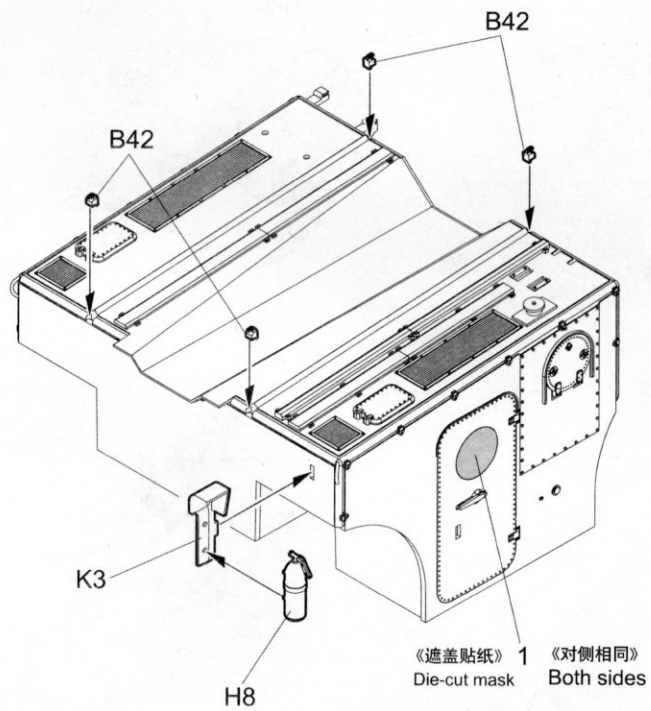


制作2组
 Make two



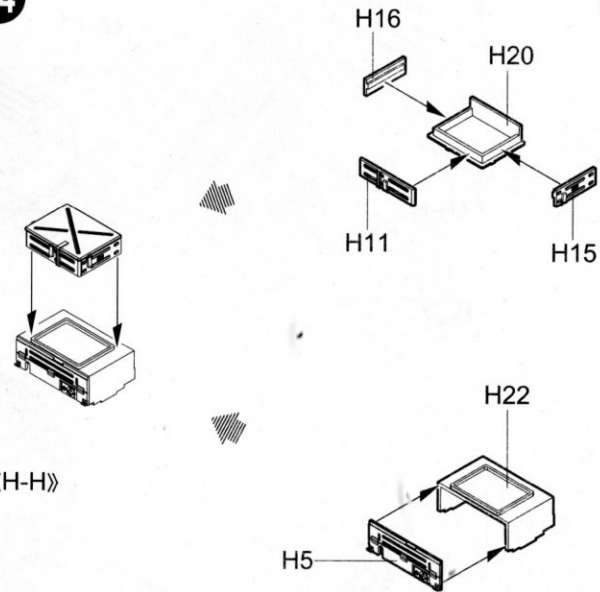


23



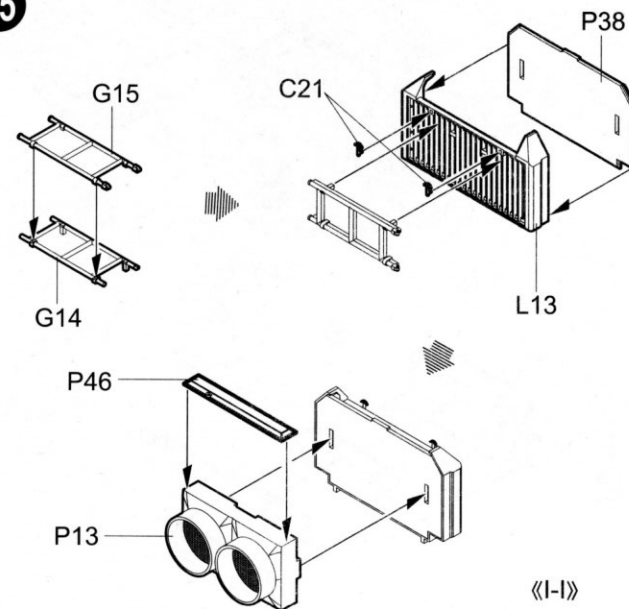
《G-G》

24

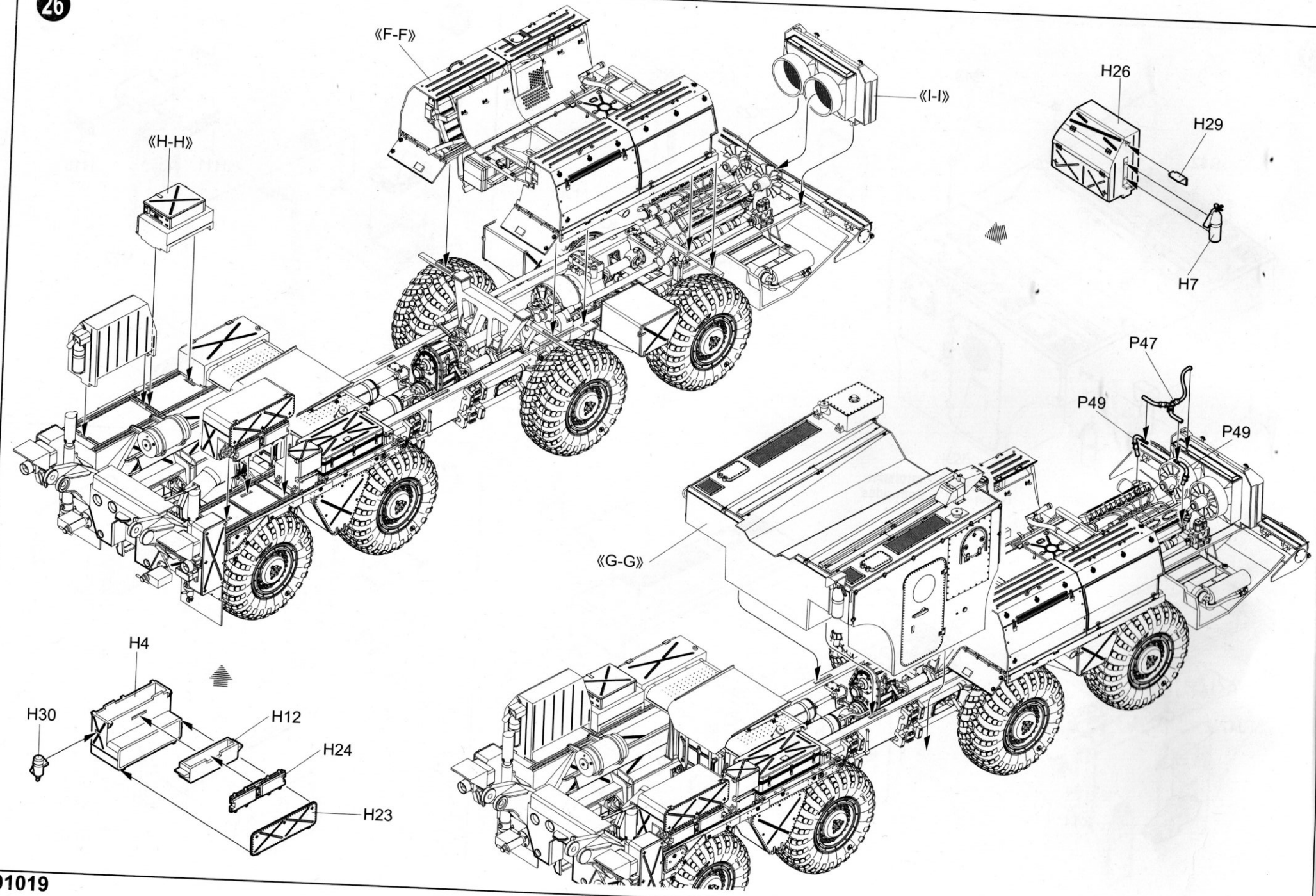


《H-H》

25

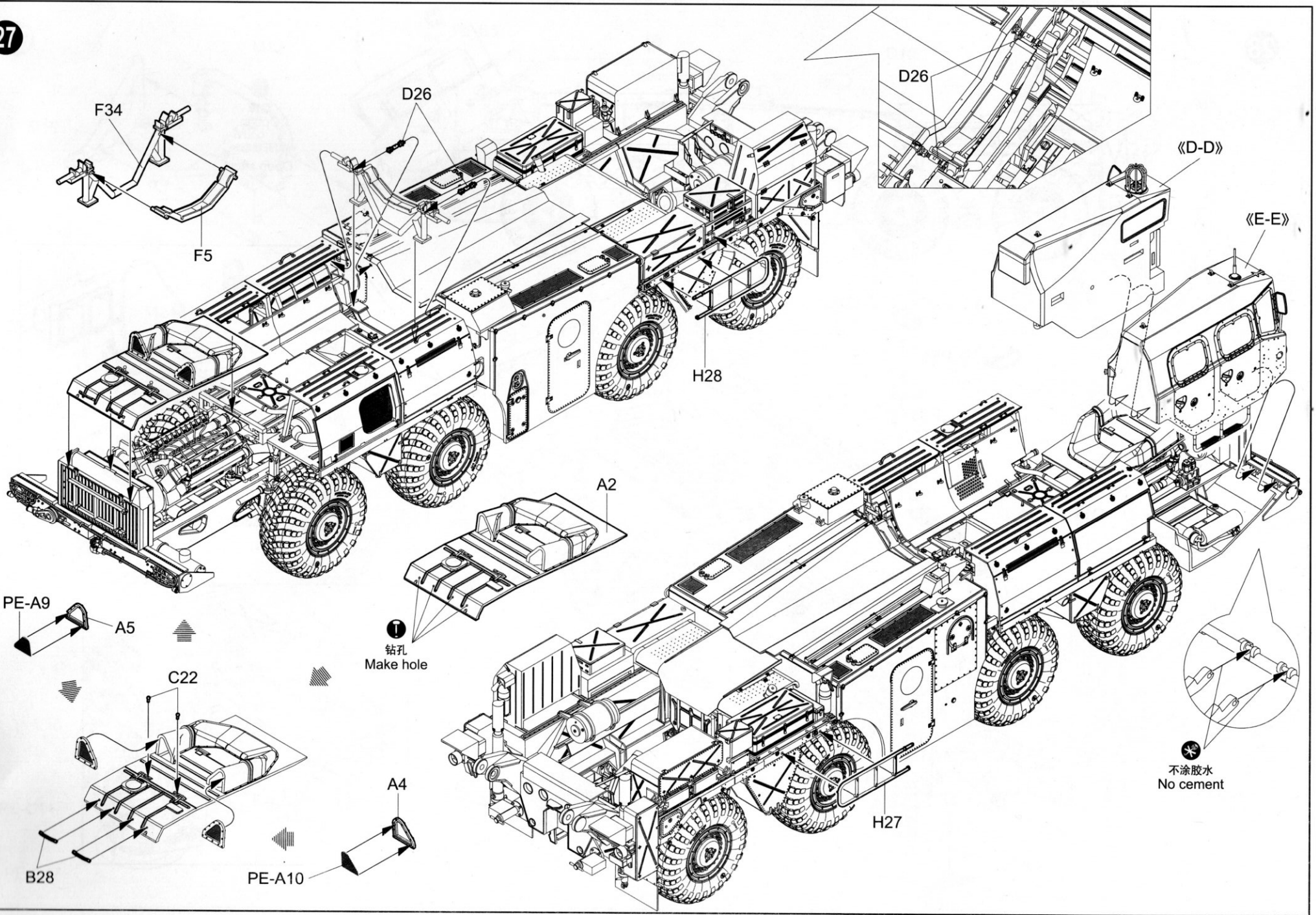


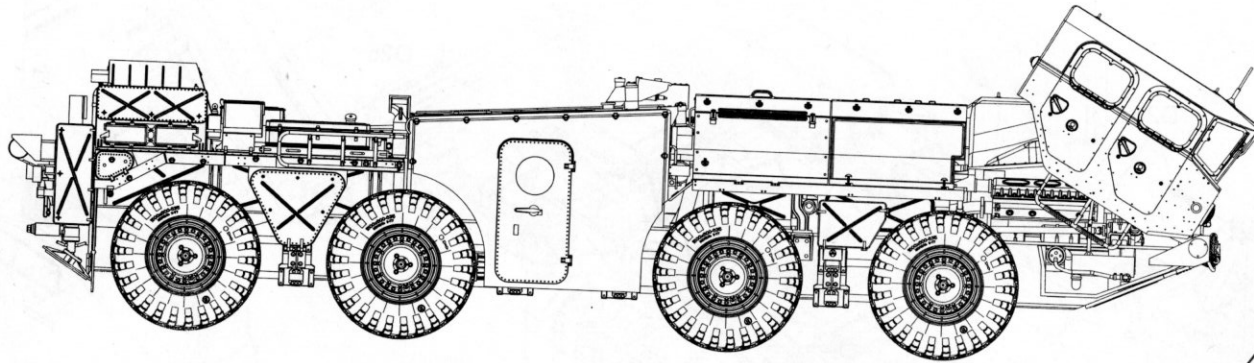
《I-I》



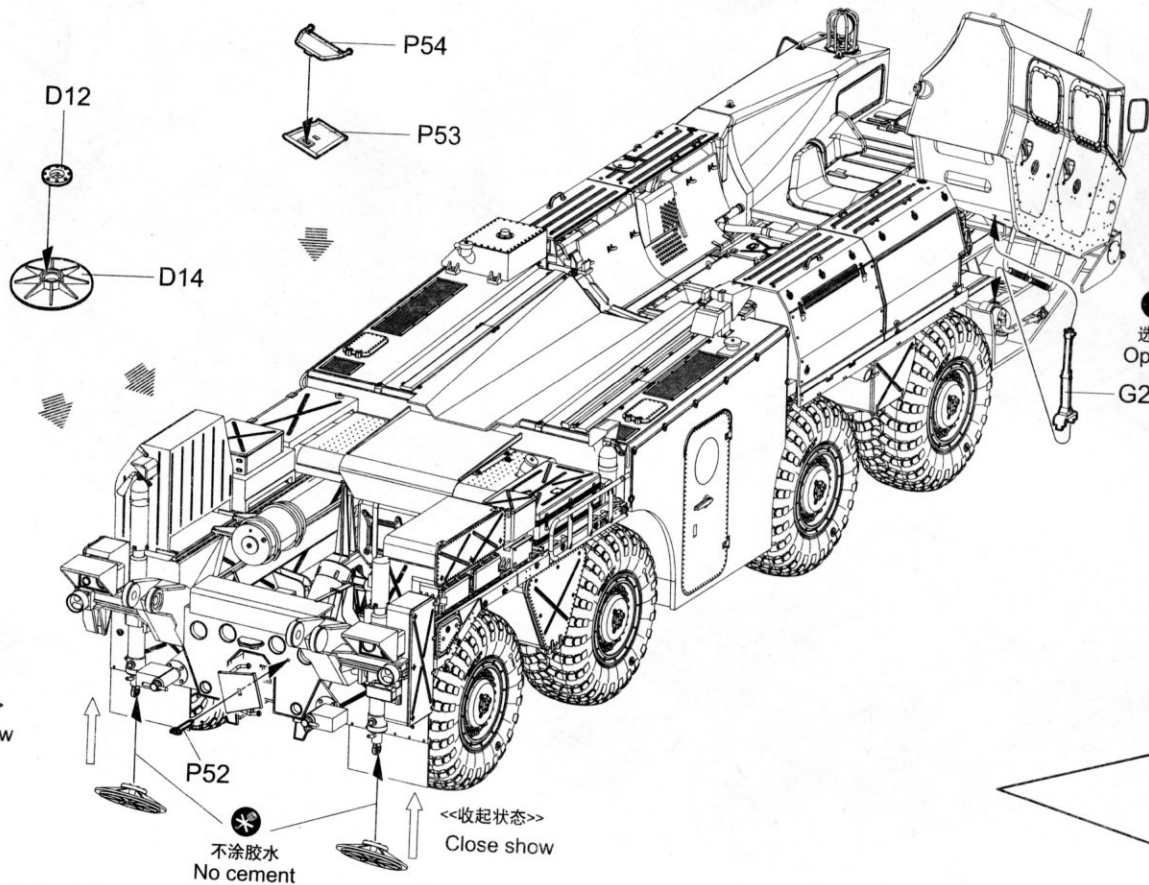
01019

27





②
选择
Option
«打开状态»
Open show



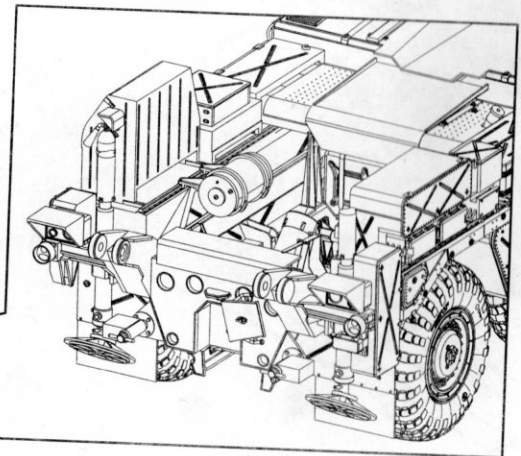
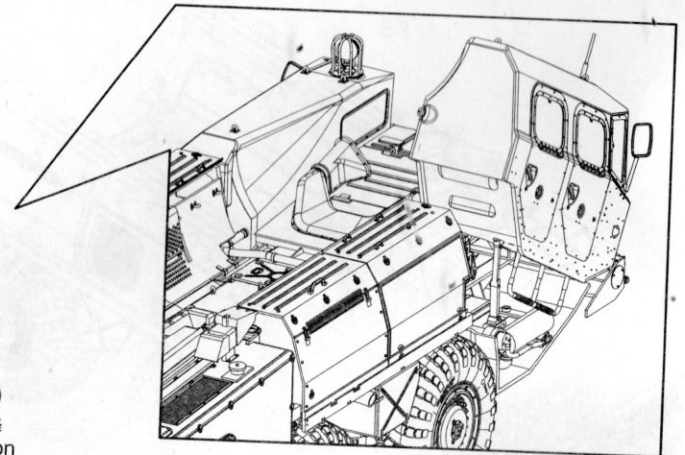
②
选择
Option
G25

制作2组
Make two

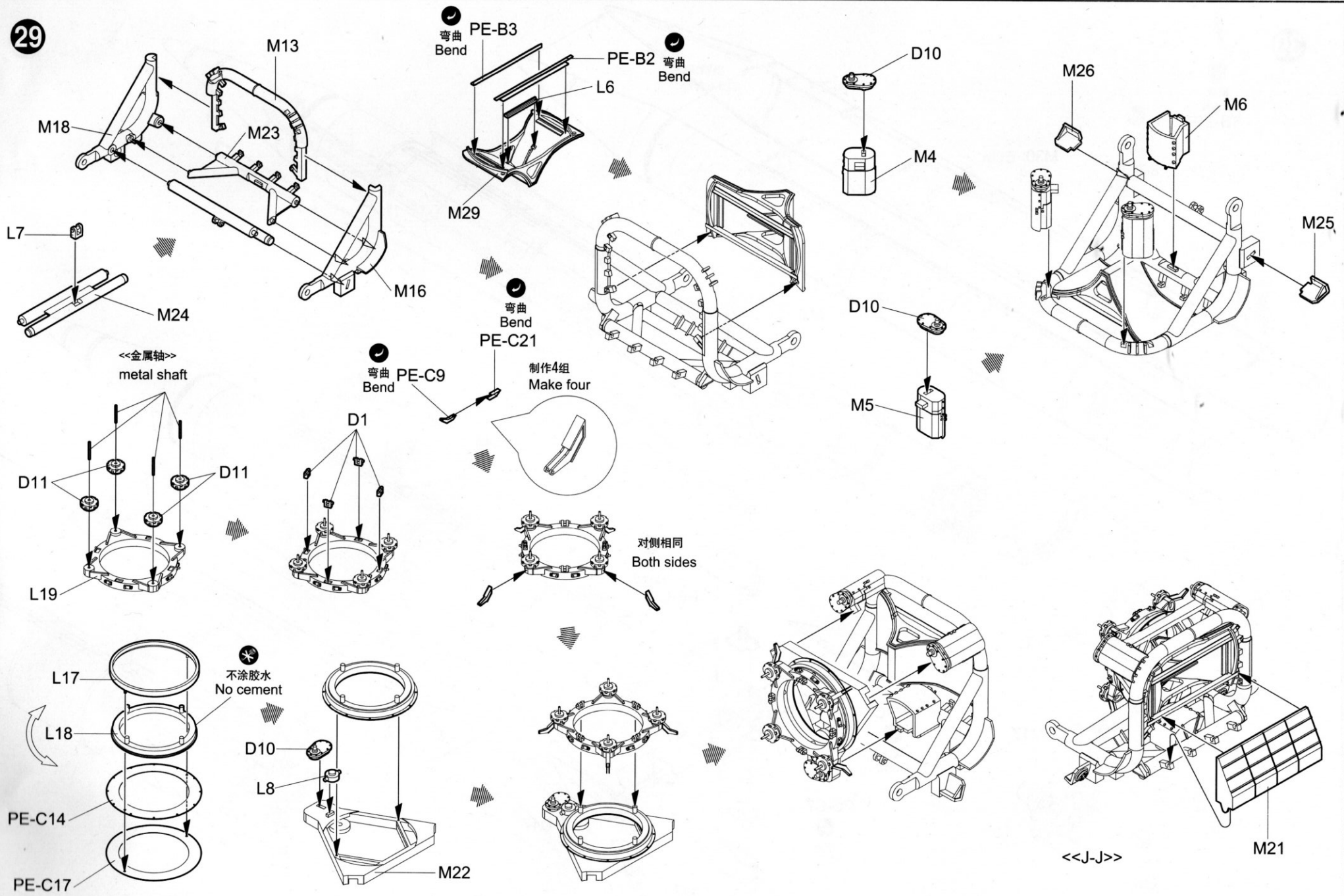
«收起状态»
Close show

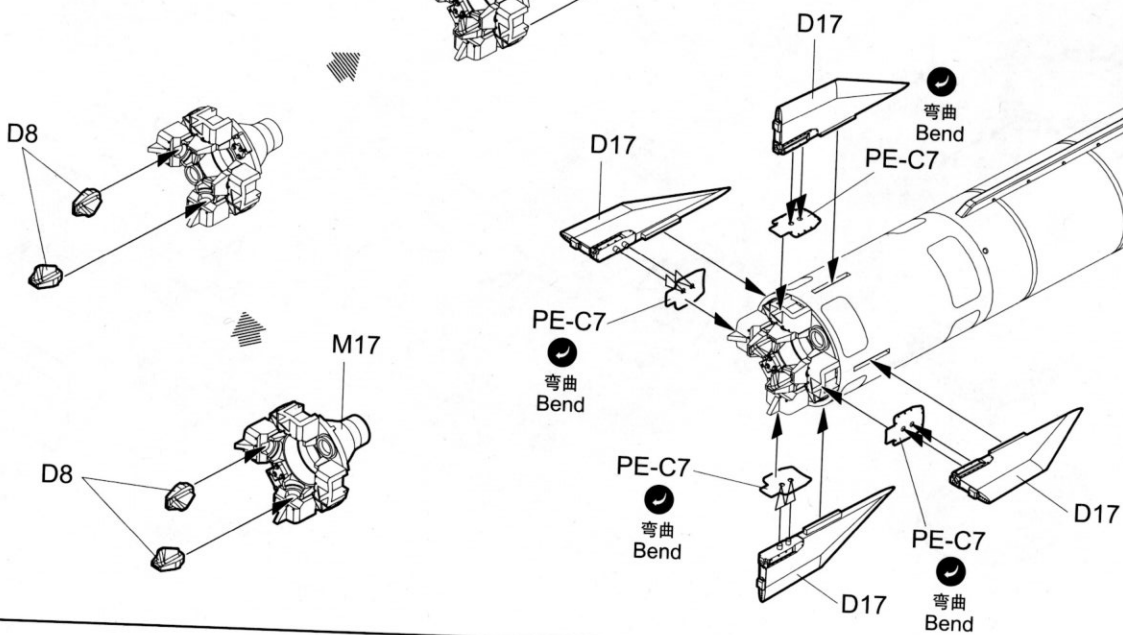
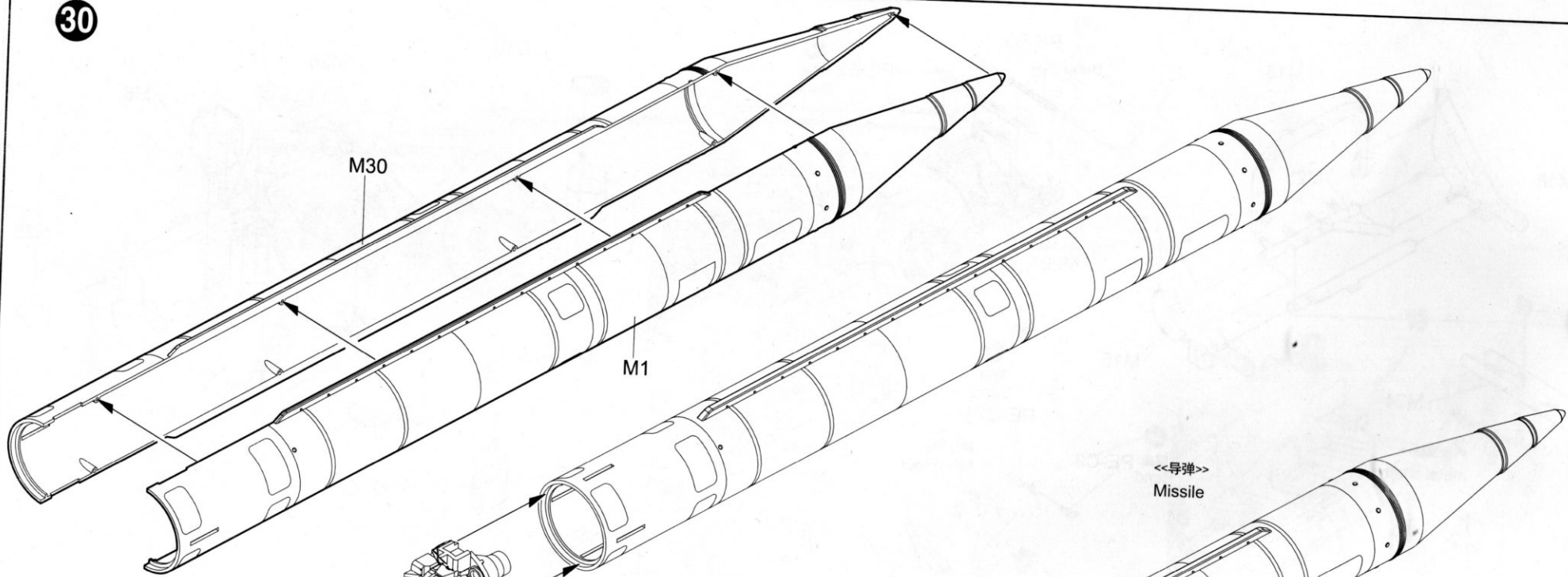
不涂胶水
No cement

«收起状态»
Close show

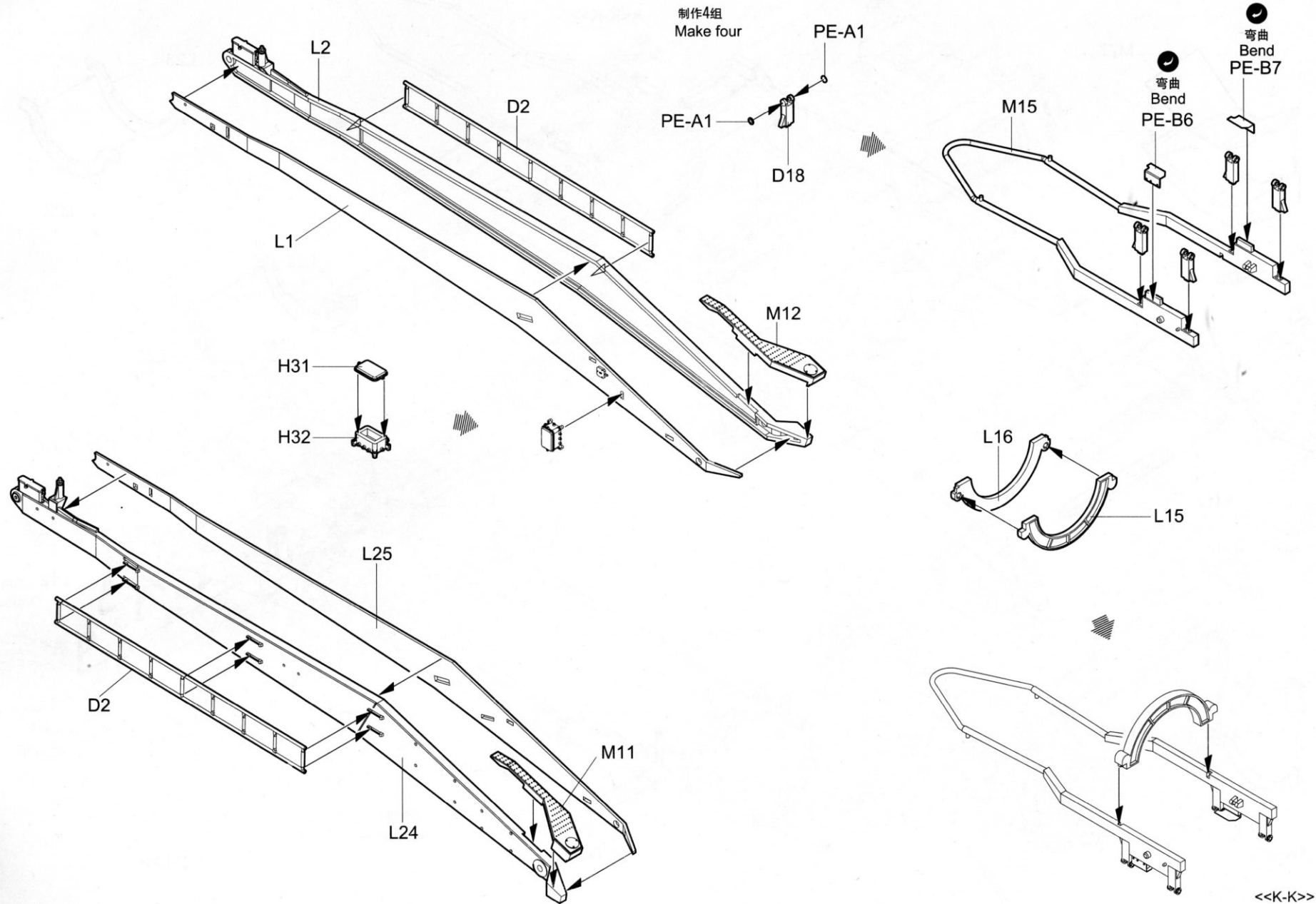


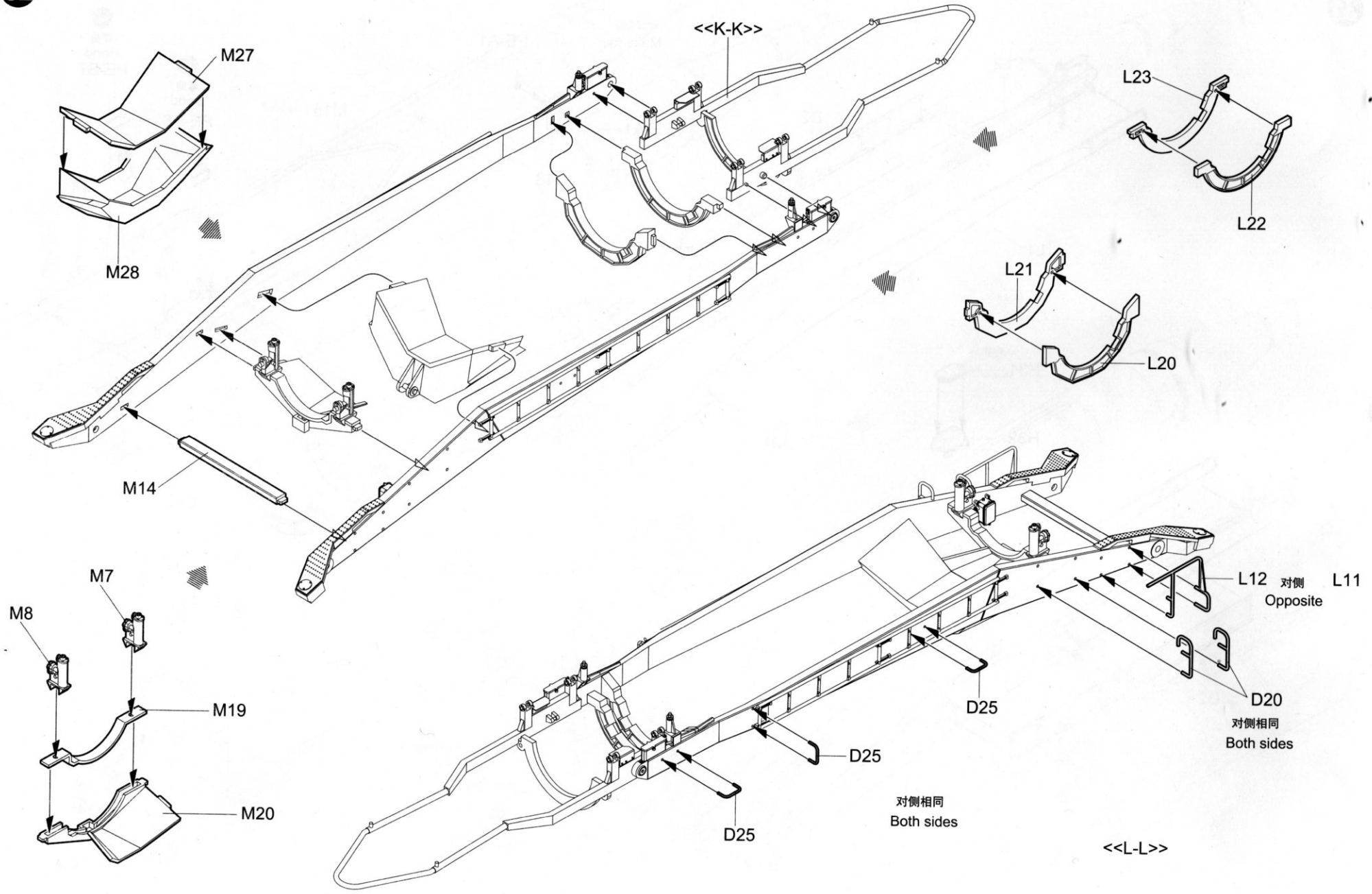
29

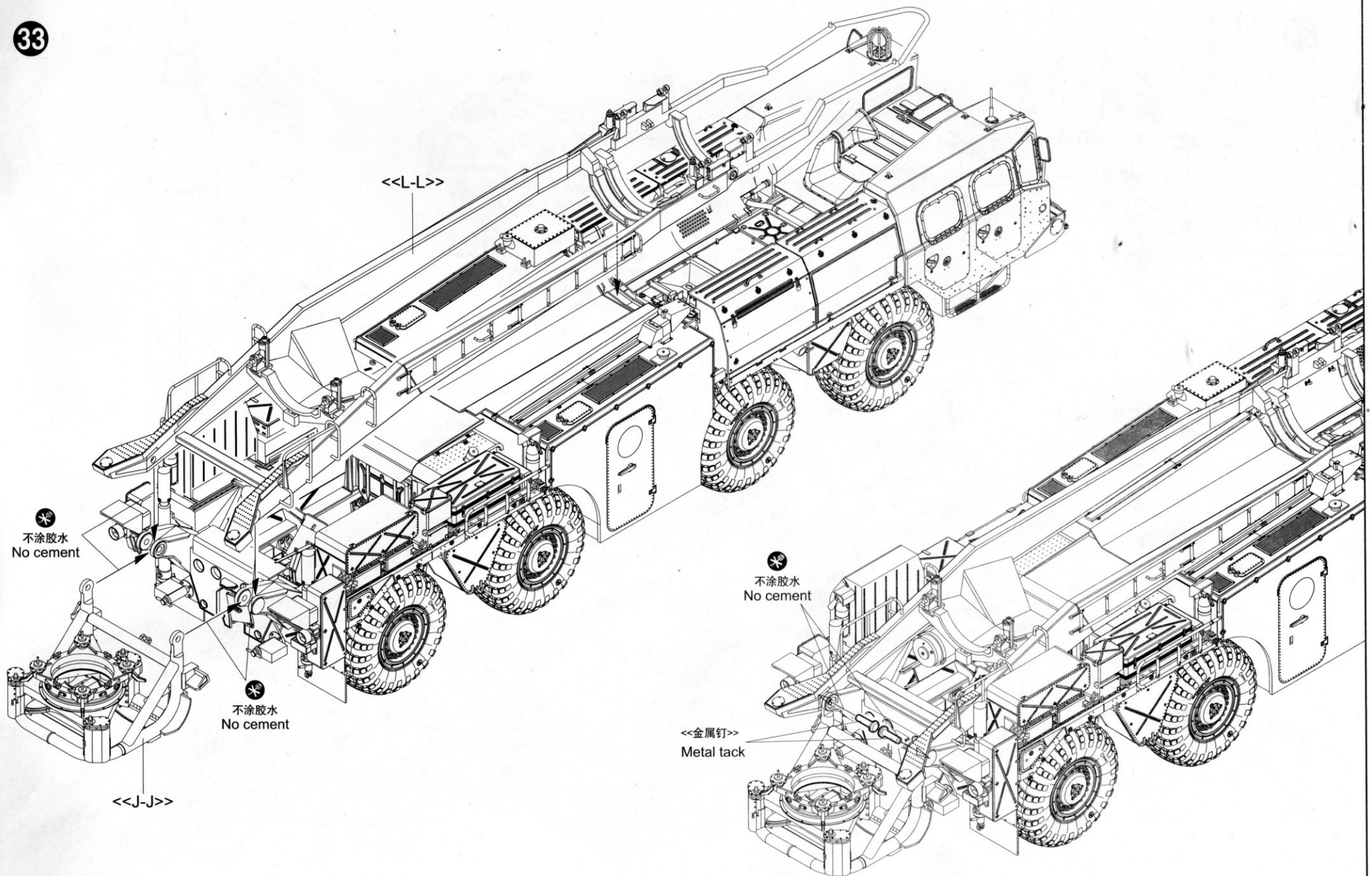


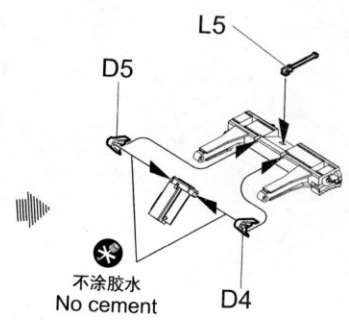
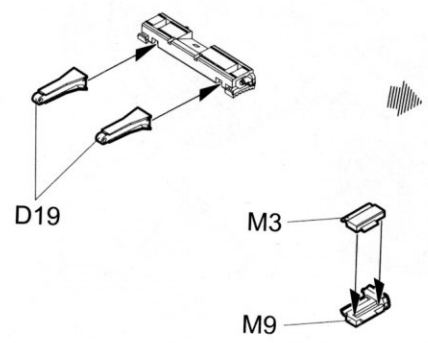
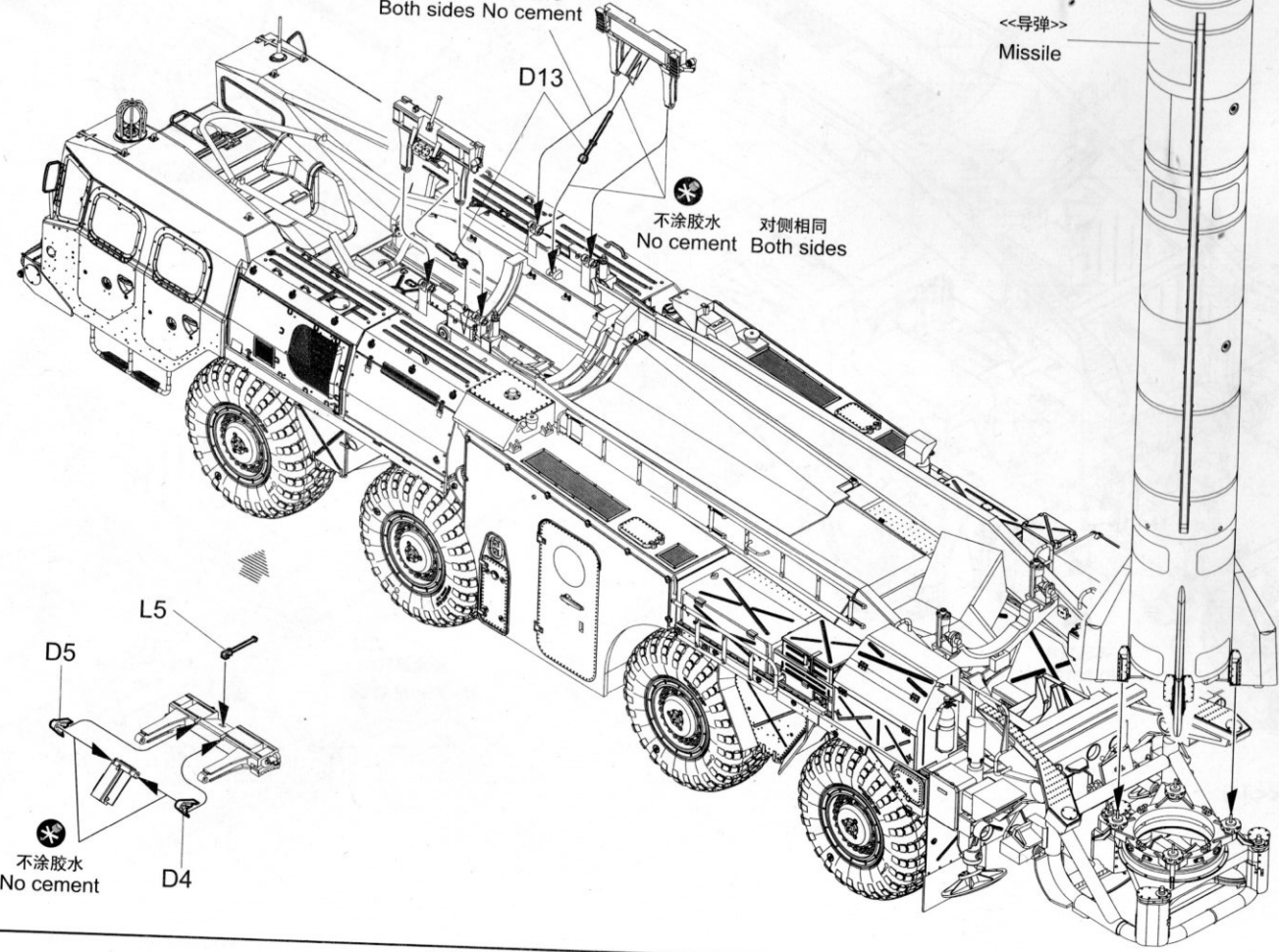
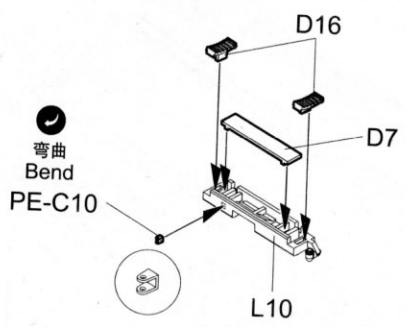
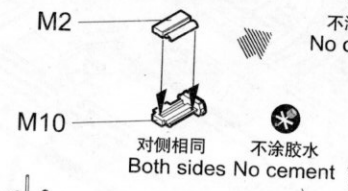
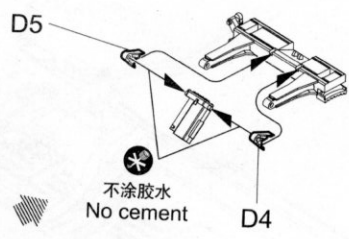
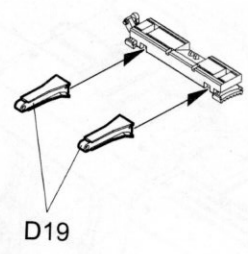
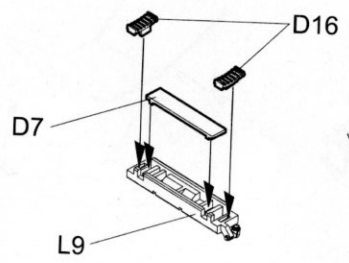


31



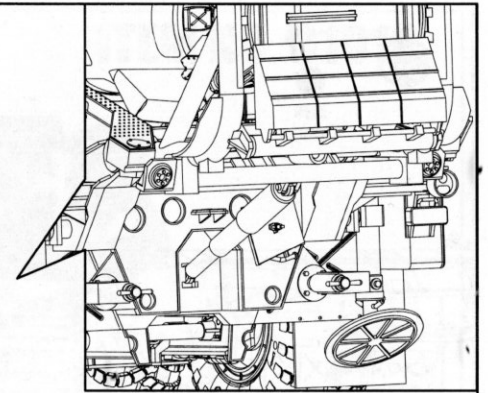
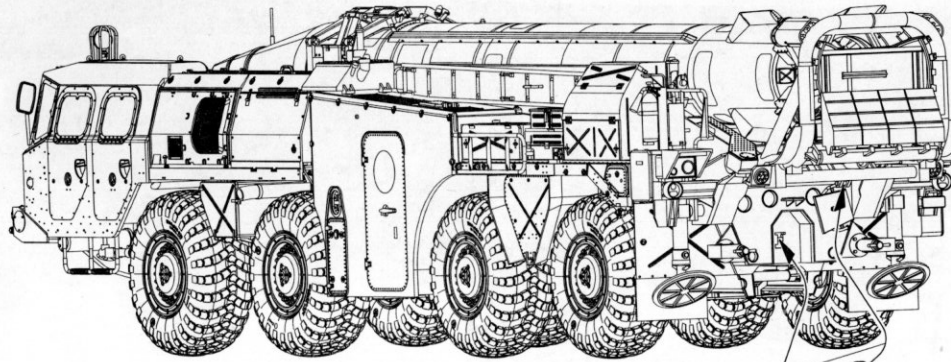
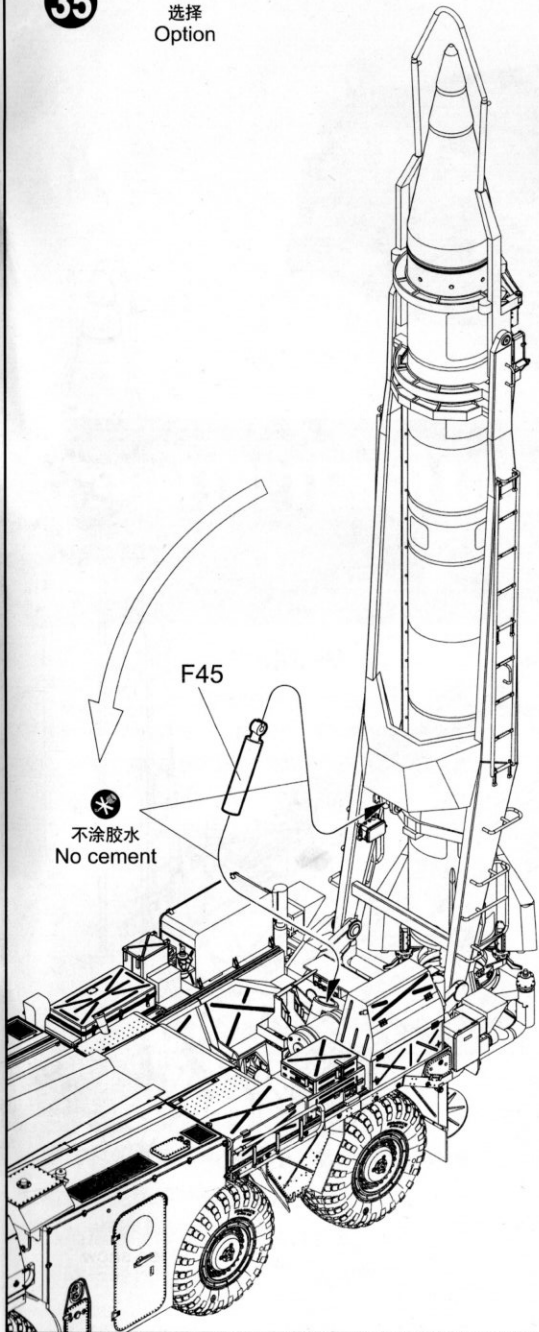




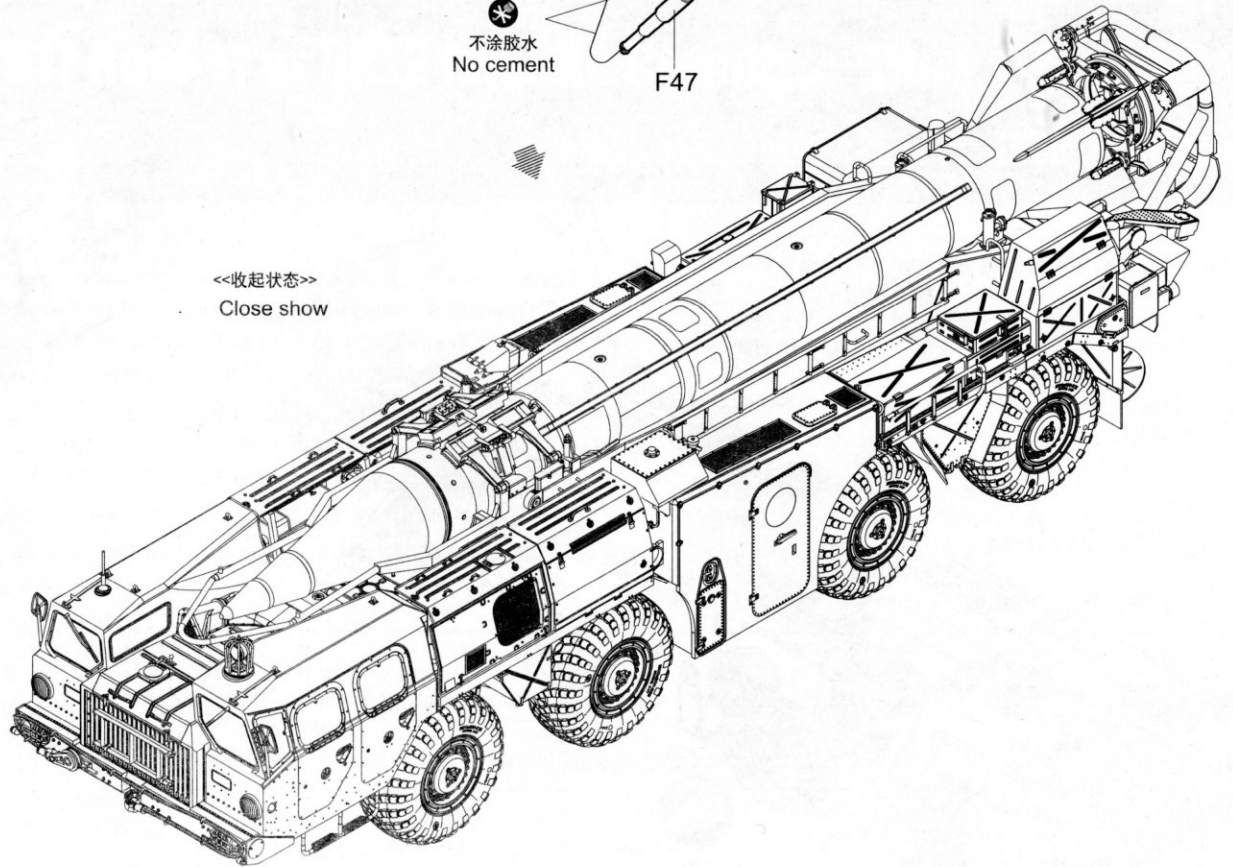


35

选择
Option

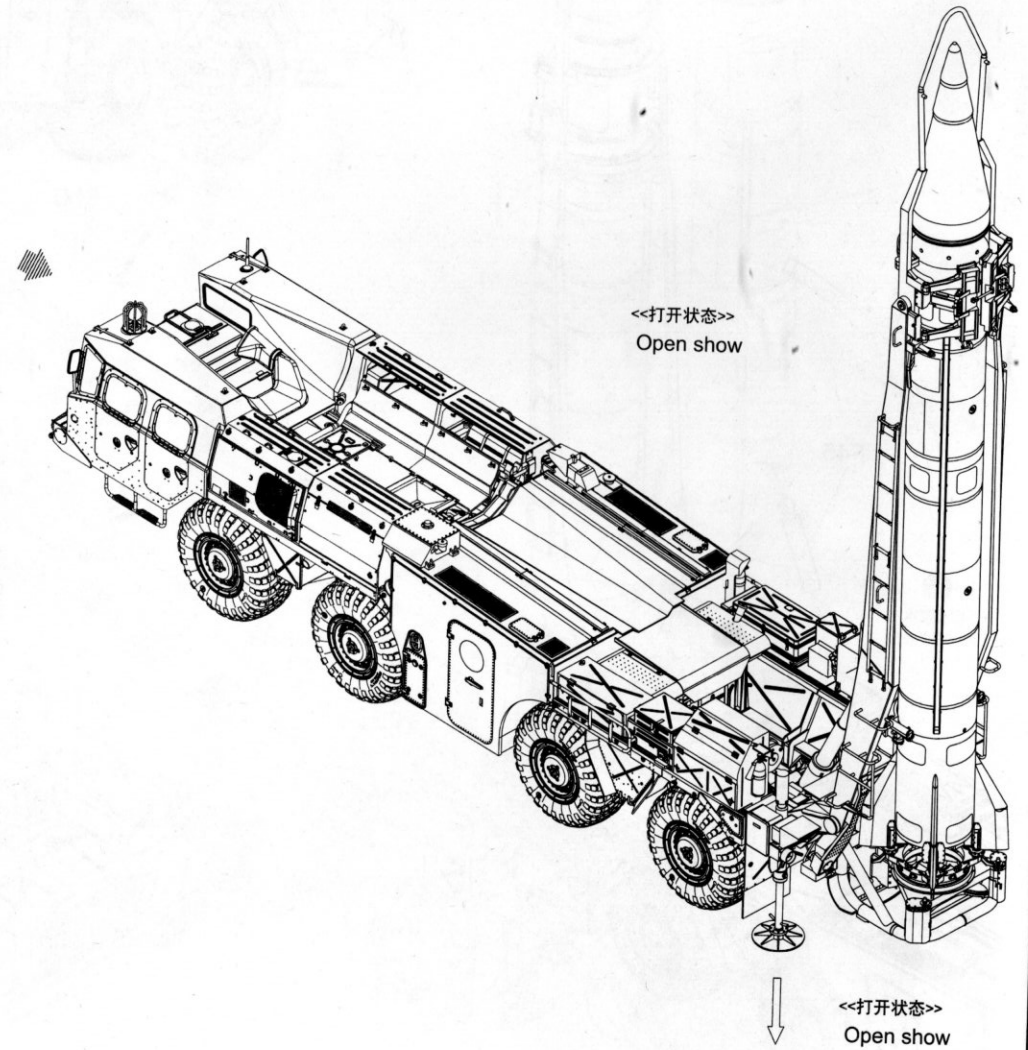
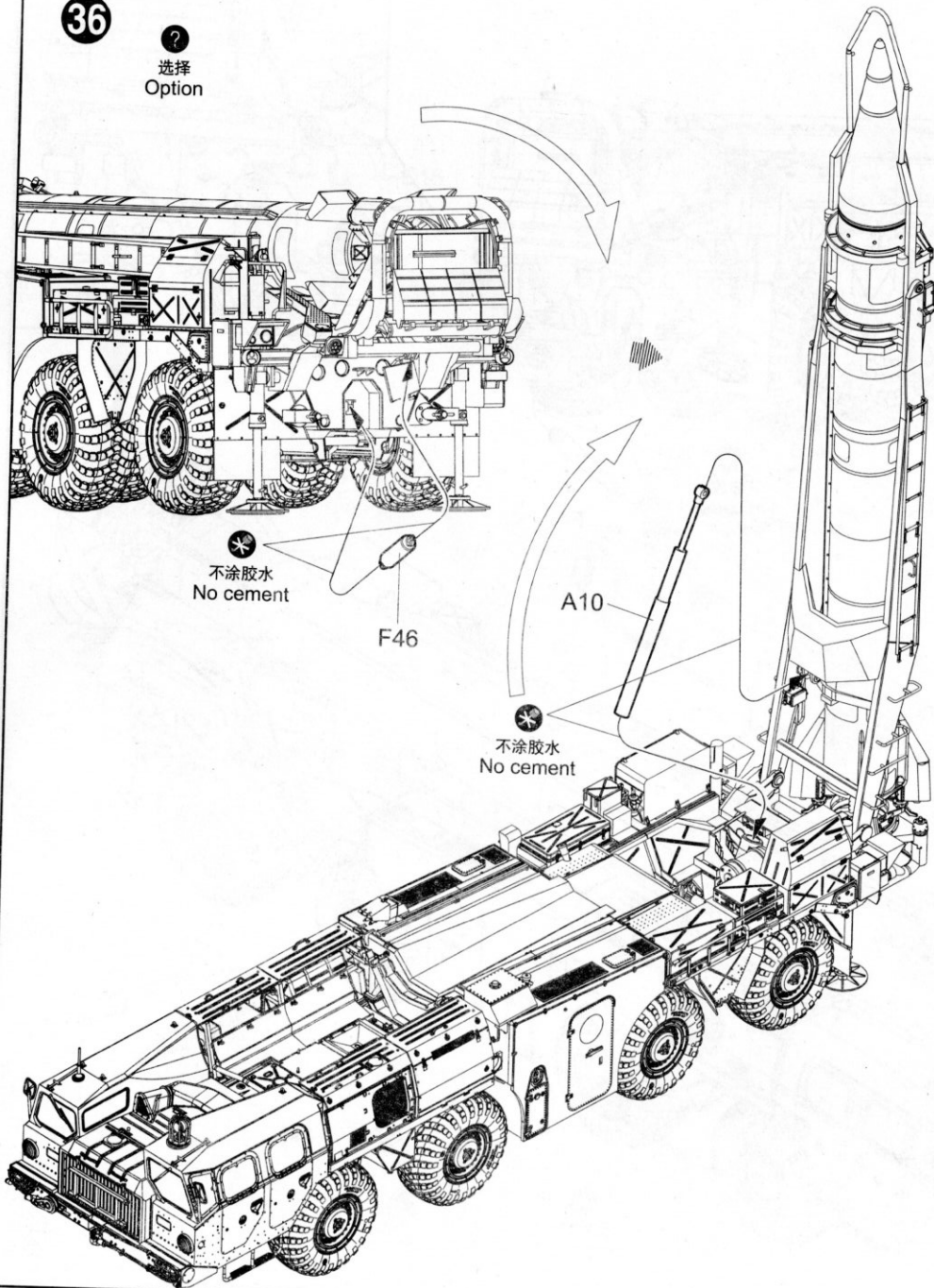


<<收起状态>>
Close show



36

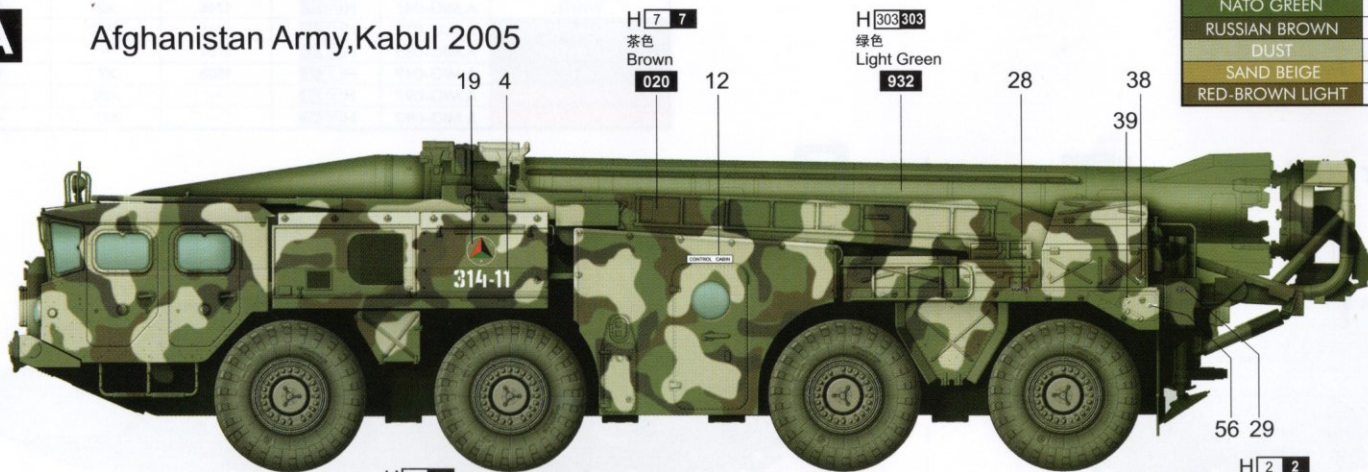
选择
Option



涂装同标贴指示 Painting & Marking guide

A Afghanistan Army, Kabul 2005

COLOR	AMMO OF MIG JIMENEZ	MR. HOBBY	MODEL MASTER	TAMIYA	HUMBROL
TIRE BLACK	A.MIG-033	H[77] 137	—	—	—
RED	A.MIG-049	H[3] 3	1503	X7	19
BLACK	A.MIG-046	H[2] 2	1747	X1	21
CRYSTAL ORANGE	A.MIG-097	H[92] 49	—	X26	—
CRYSTAL RED	A.MIG-093	H[90] 47	—	X27	—
ZIS 508 GREEN	A.MIG-932	H[303] 303	1713	XF20	117
NATO GREEN	A.MIG-084	H[309] 309	1710	XF58	116
RUSSIAN BROWN	A.MIG-020	H[7] 7	1540	X9	10
DUST	A.MIG-036	H[] 19	—	—	—
SAND BEIGE	A.MIG-027	H[79] 39	—	XF59	93
RED-BROWN LIGHT	A.MIG-923	H[84] 42	—	—	160



H[] 19
036 沙褐色
Sandy Brown

H[2] 2
046 黑色
Black

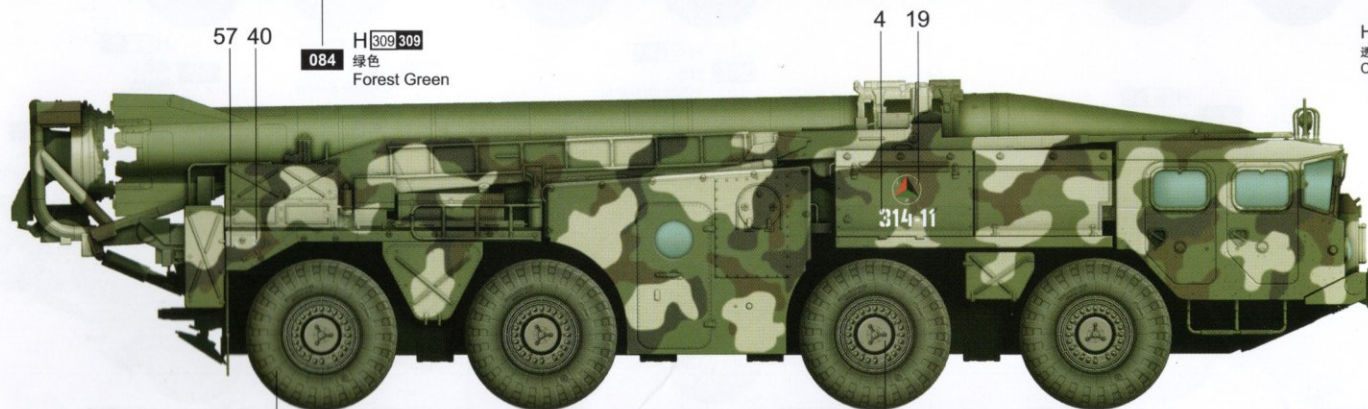


H[92] 49
097 透明橘
Clear Orange

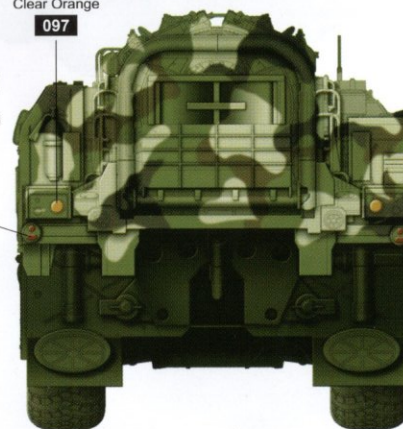


H[2] 2
046 黑色
Black

H[92] 49
097 透明橘
Clear Orange



H[90] 47
093 透明红
Clear Red

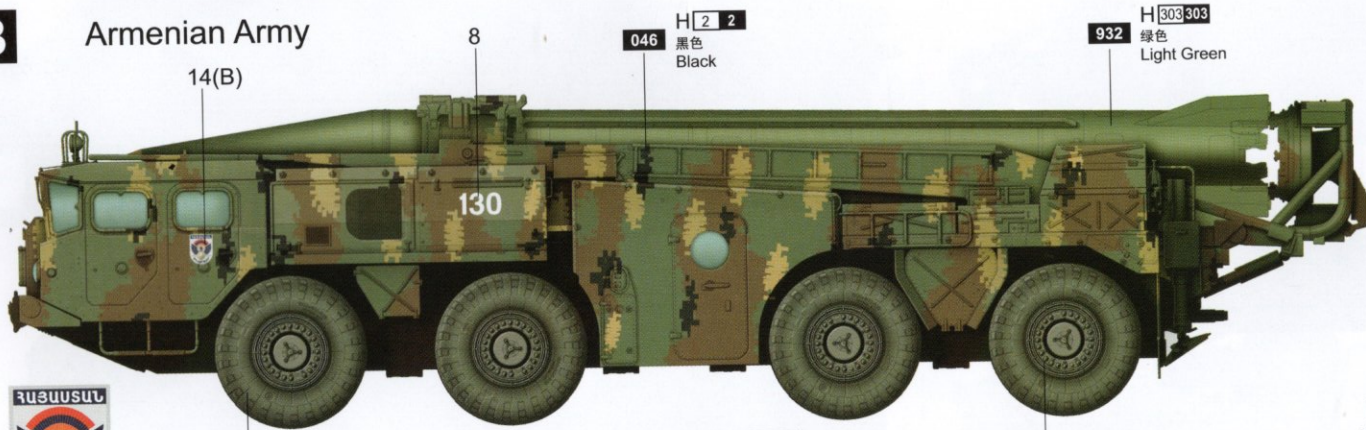


033 胎黑色
Tire Black

046 黑色
Black

B

Armenian Army



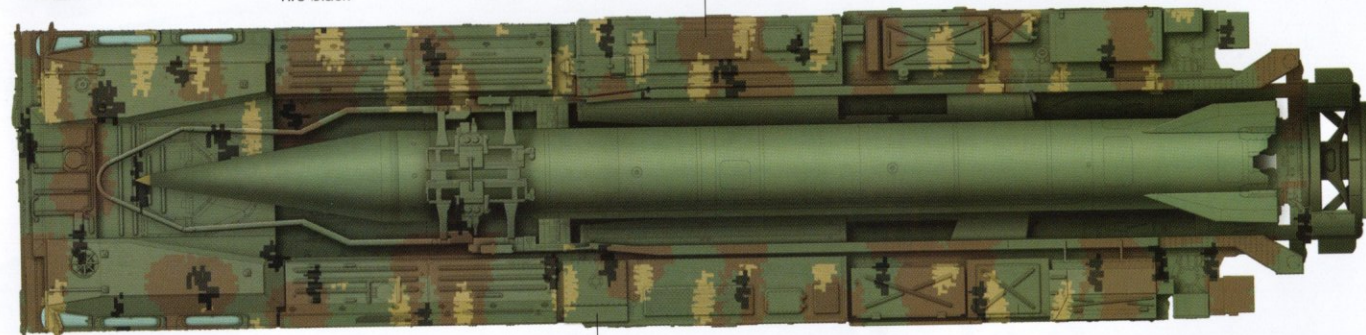
033 H[77] 137
胎黑色
Tire Black

923 H[84] 42
桃木色
Mahogany

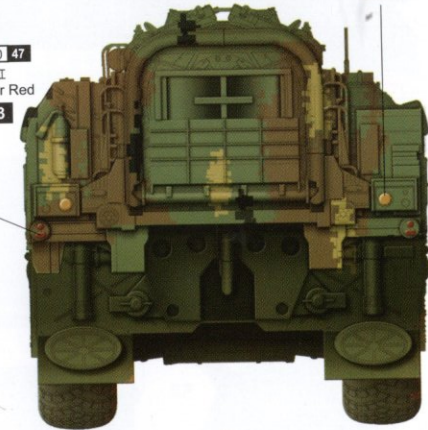
046 H[2] 2
黑色
Black

097 H[92] 49
透明橘
Clear Orange

046 H[2] 2 H[92] 49
黑色
Black
透明橘
Clear Orange
097



H[90] 47
透明紅
Clear Red
093



027 H[79] 39
砂黃色
Sandy Brown

923 H[303] 303
綠色
Light Green



Color information and profiles by



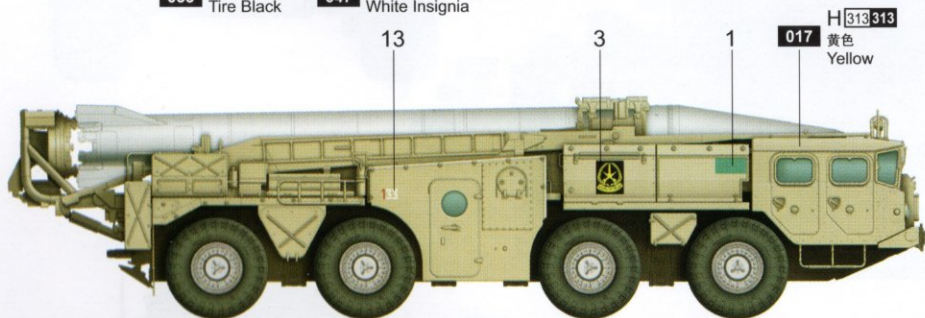
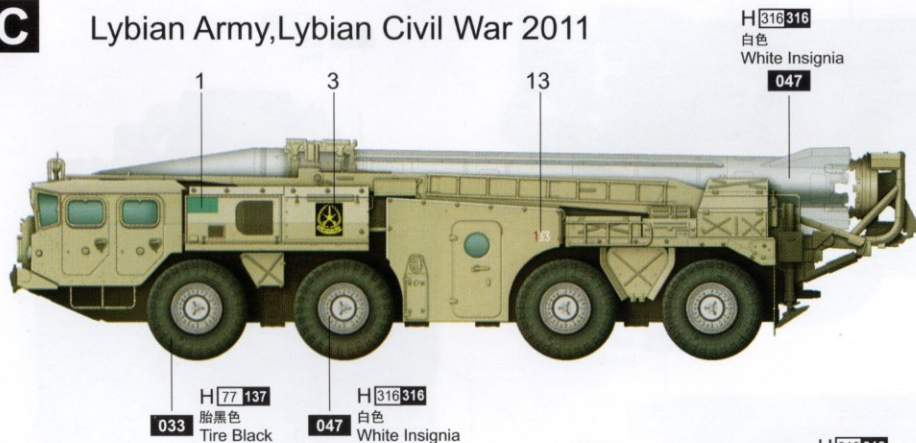
H [] AQUEOUS HOBBY COLOR

X [] Mr. COLOR

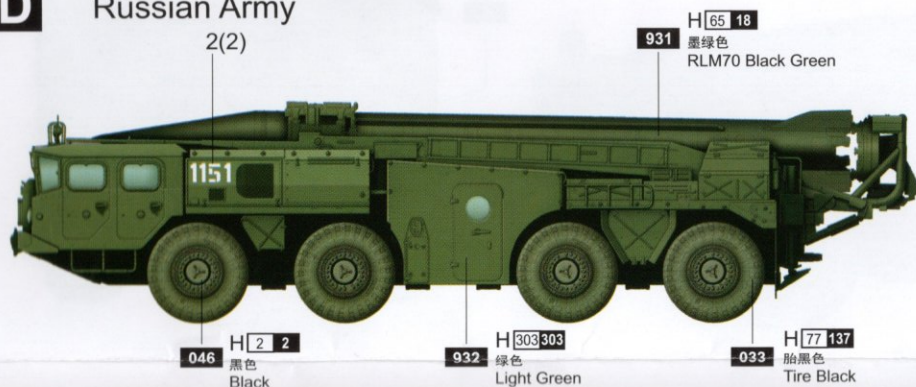
涂装同标贴指示 Painting & Marking guide

COLOR	AMMO OF MIG JIMENEZ	MR.HOBBY	MODEL MASTER	TAMIYA	HUMBROL
TIRE BLACK	A.MIG-033	H[77] 137	—	—	—
SAND-CREAM	A.MIG-017	H[313] 313	1706	—	121
RUSSIAN DARK GREEN	A.MIG-931	H[65] 18	—	XF27	91
SAND	A.MIG-029	H[71] 21	—	—	84
BLACK	A.MIG-046	H[2] 2	1747	X1	21
ZIS 508 GREEN	A.MIG-932	H[303] 303	1713	XF20	117
WHITE	A.MIG-047	H[316] 316	1745	X2	22
PROTECTIVE GREEN	A.MIG-023	H[52] 12	1711	XF62	155
DARK BROWN	A.MIG-085	H[37] 43	1701	—	186
RED	A.MIG-049	H[3] 3	1503	X7	19
CRYSTAL ORANGE	A.MIG-097	H[92] 49	—	X26	—
CRYSTAL RED	A.MIG-093	H[90] 47	—	X27	—

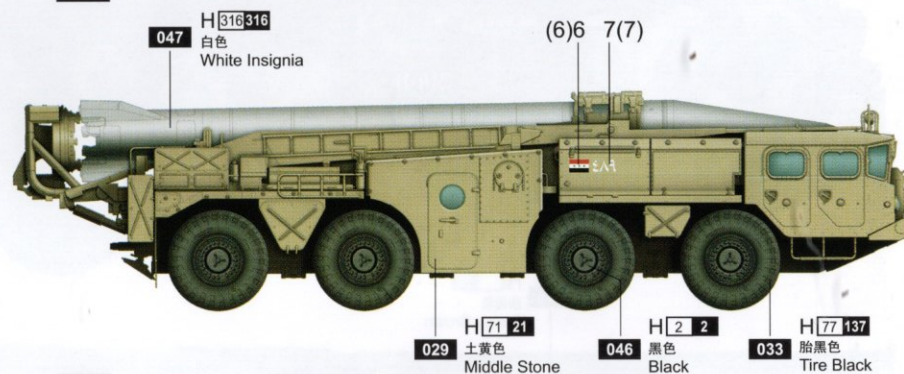
C Lybian Army, Lybian Civil War 2011



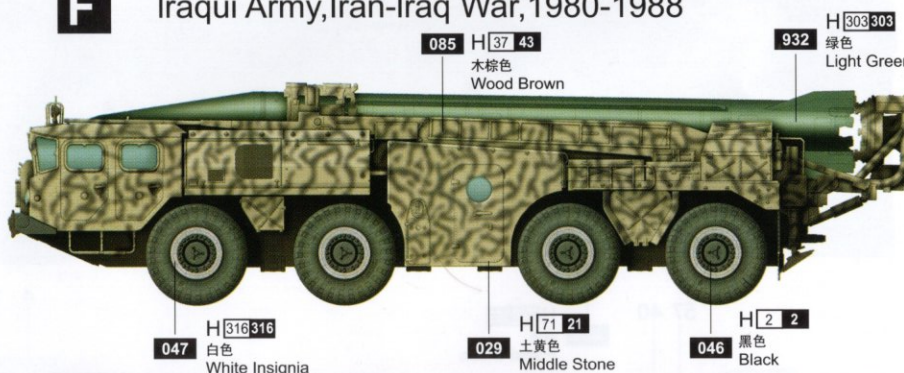
D Russian Army



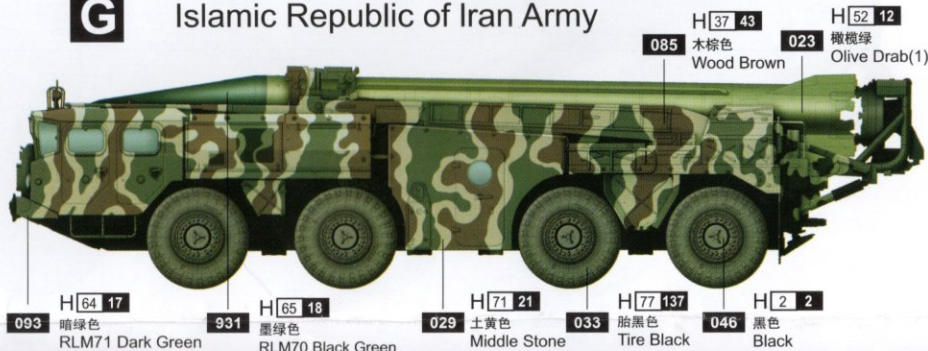
E Iraqi Army, Gulf War 1991



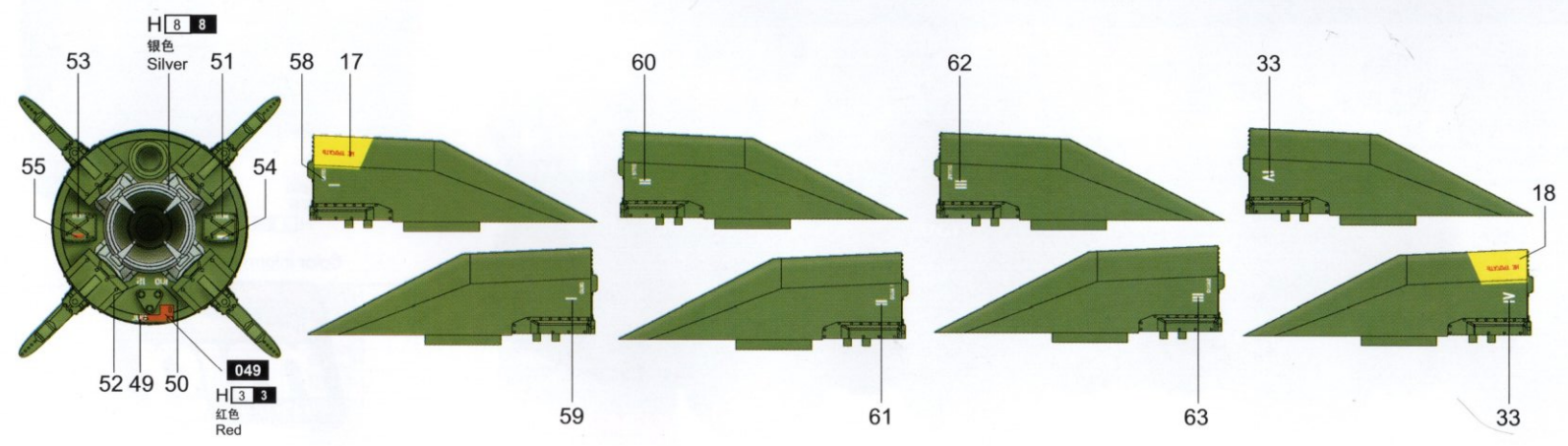
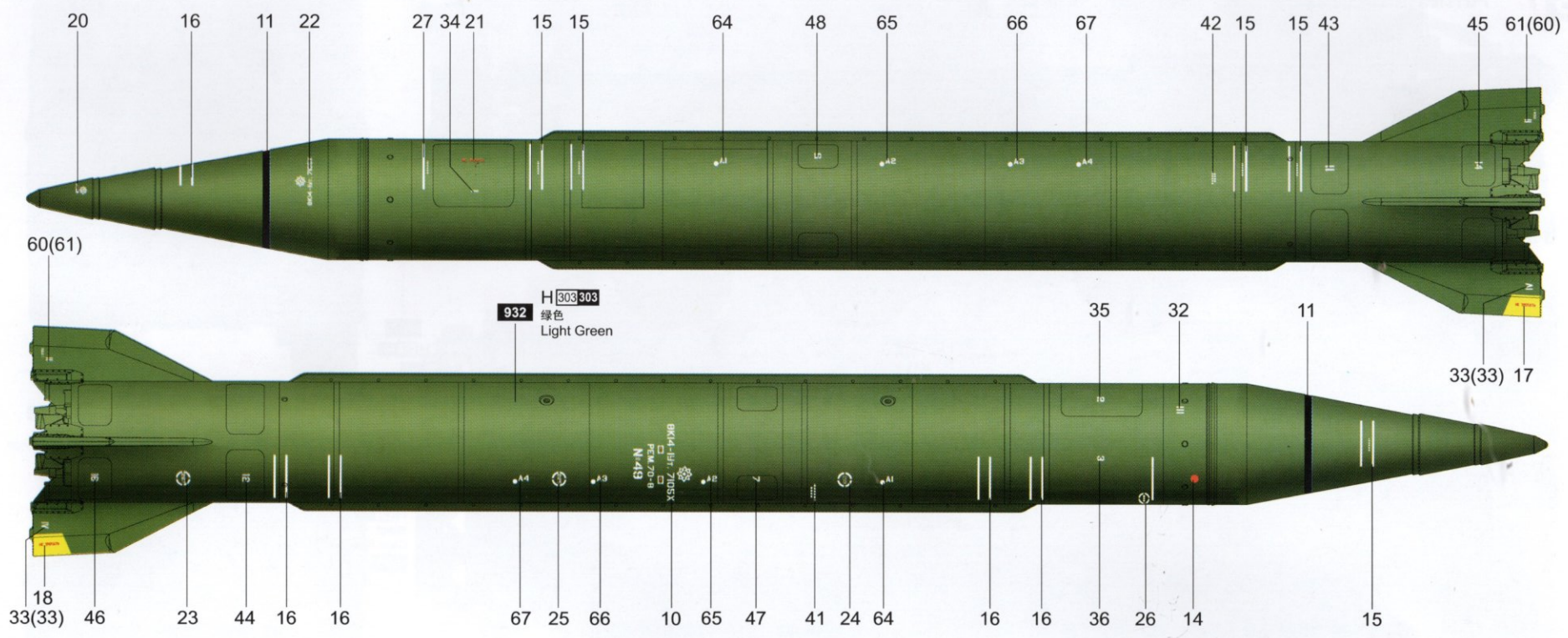
F Iraqi Army, Iran-Iraq War, 1980-1988



G Islamic Republic of Iran Army



040 黑色 Black
 032 绿色 Light Green
 030 胎黑色 Tire Black
 033 暗绿色 RLM71 Dark Green
 031 墨绿色 RLM70 Black Green
 029 土黄色 Middle Stone
 033 胎黑色 Tire Black
 046 黑色 Black



Color information and profiles by



H X AQUEOUS HOBBY COLOR X Mr. COLOR

01019 1/35 Soviet (9P117M1) Launcher with R17 Rocket of 9K72 Missile Complex "Elbrus"(Scud B) B