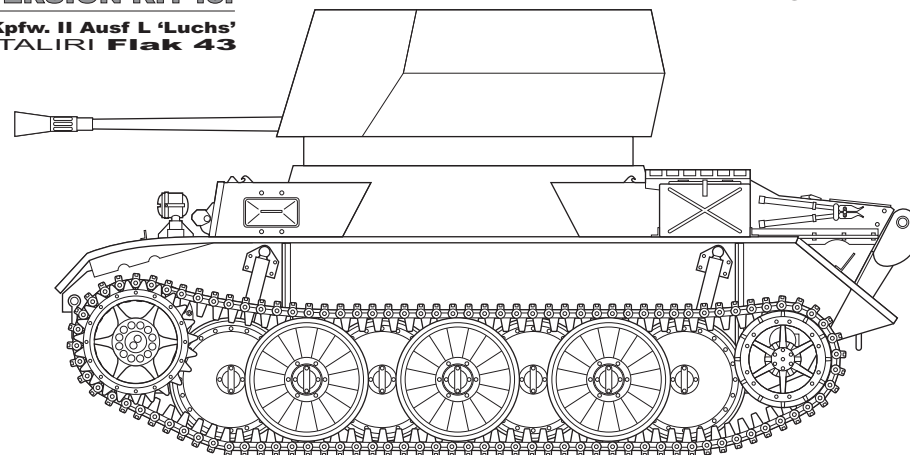
LEADWARRIOR
HISTORICAL MINIATUREWWW.LEADWARRIOR.COM
SUPPORT@LEADWARRIOR.COM
Ebay: LEADWARRIOR

37mm FlaK 43 Sfi. auf Pz.Kpfw. II Ausf. L FlakPanzer II 'Luchs'

CONVERSION KIT for

ICM Pz.Kpfw. II Ausf L 'Luchs'
and ITALIRI FlaK 43

47 RESIN PARTS



In second half of WWII, due to superiority of Allies in the air, Germany faced an urgent need in armoured Anti-Aircraft vehicles. In May-September of 1943 Hitler headed a few meetings dedicated to this matter, and the 'Inspection 6', responsible for developing of AA Panzers, was established.

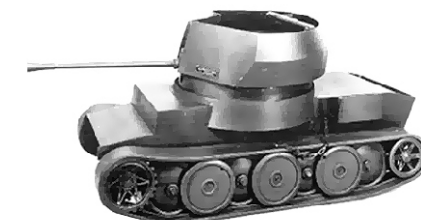
That was the beginning of numerous projects of the anti-aircraft guns (Flak) utilizing any suitable chassis. The shortage of linear tanks had influenced manufacturing of AA-Panzers by mid 1944; The cheap and reliable chassis of Pz.Kpfw.III were demanded for StuG Assault Guns production, so the Pz.Kpfw IV chassis was used for Flakpanzers construction, and several hundreds machines of different types were built until the end of the war.

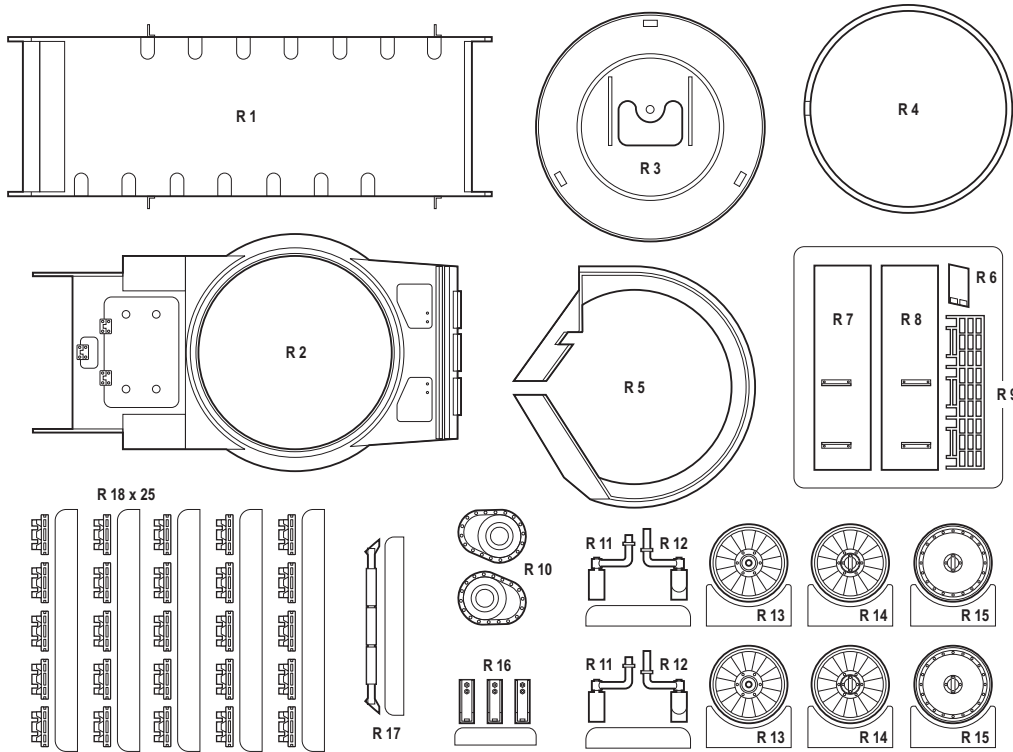
At the same time attempts were made to find any substitution of chassis for AA-guns. One of the projects was developed as result of deep modernization of chassis of reconnaissance tank Pz.Kpfw.II Ausf. L "Luchs".

It was supposed to carry a 37mm FlaK 43 anti-aircraft gun. To reduce the height of the construction, AA-gun was mounted in armoured round barbette, which was swamped into upper hull.

The chassis had to be lengthened. The weight of the machine had grown, so the suspension was rearranged more dense, and two additional brackets were added each side. The engine remained the same as at Pz.Kpfw.II L, so the speed of the vehicle dropped down, but it was not so essential in the defense war situation.

The construction became compact, and it's height was lower than of Pz.Kpfw.IV-based Flakpanzers, but it was still quite complex in production, so by the end of the war only a wooden mockup was built.

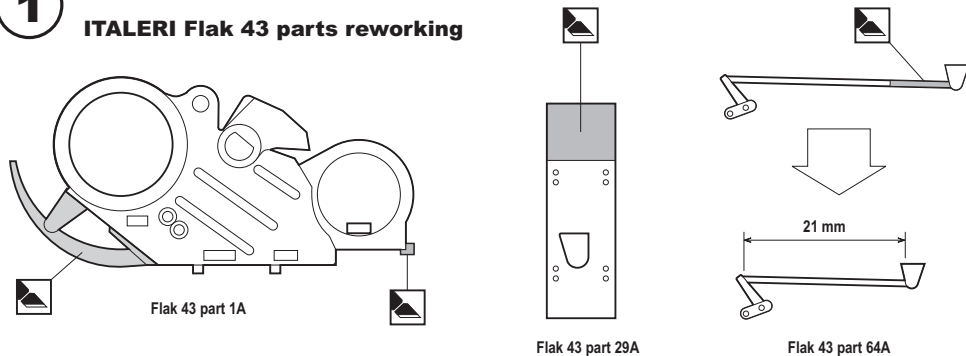




Cut / Remove part
 Optional

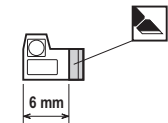
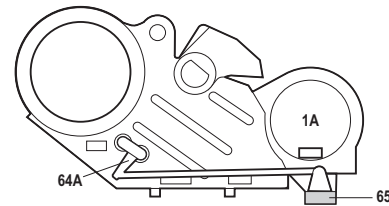
Repeat on mirror side
 Repeat several times

1 ITALERI Flak 43 parts reworking



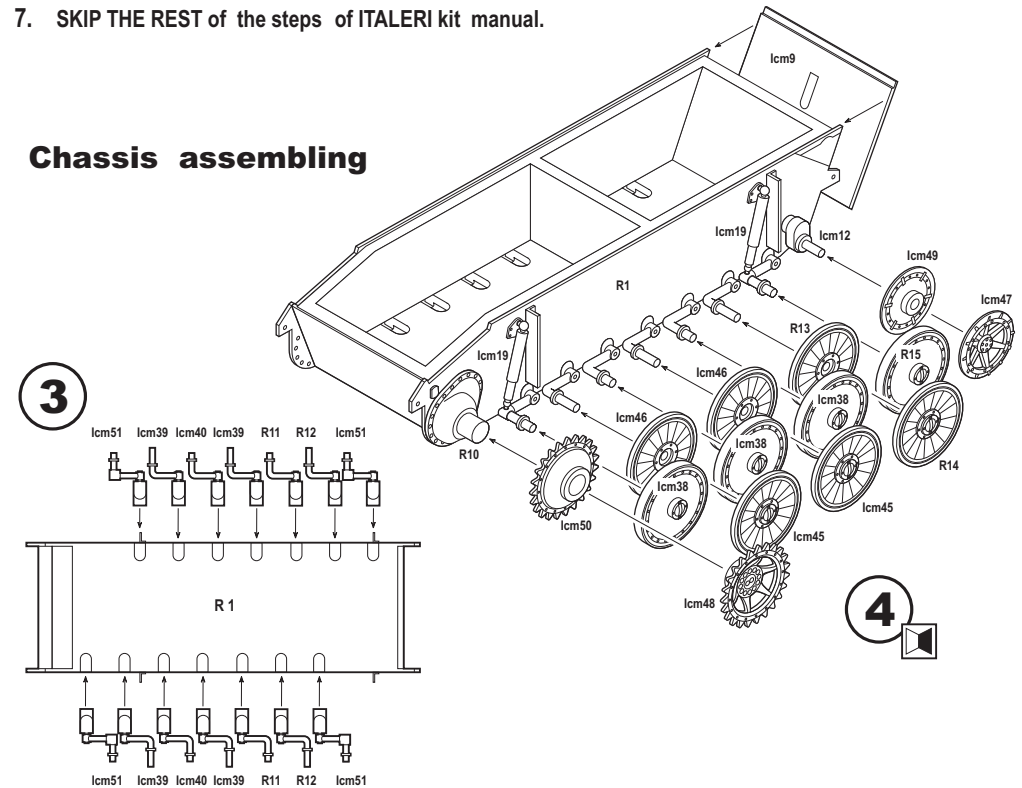
2 ITALERI Flak 43 assembling

- Execute step 1 of ITALERI kit manual: DO NOT use parts 12B, 13B, 14B, 15B, 16A.
- Execute steps 2 and 3 of ITALERI kit manual.
- SKIP step 4 of ITALERI kit manual.
- Execute steps 5 of ITALERI kit manual: DO NOT use parts 49A, 50A.
- Execute step 6 of ITALERI kit manual. Position 64A, 65A as follows:
- Execute steps 7 of ITALERI kit manual: DO NOT use module G1 or G2. DO NOT use part 70B. USE alternative L for sight. Rework it as follows:



- SKIP THE REST of the steps of ITALERI kit manual.

Chassis assembling



3

4