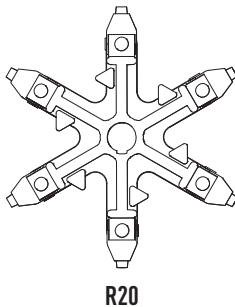
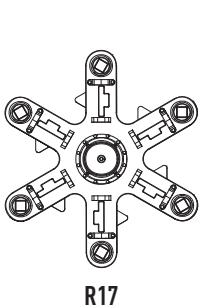
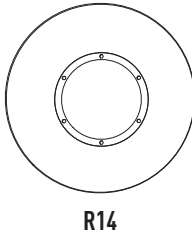
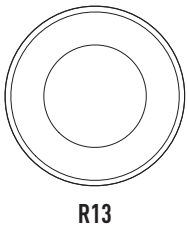
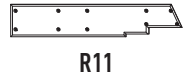
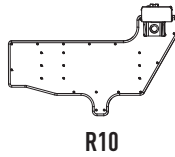
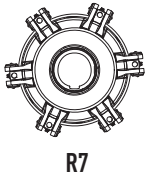
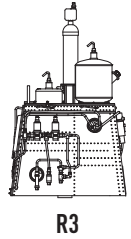
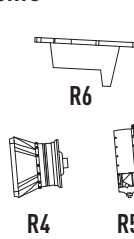
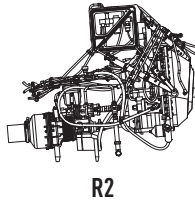
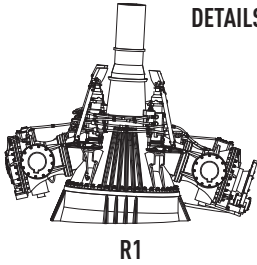
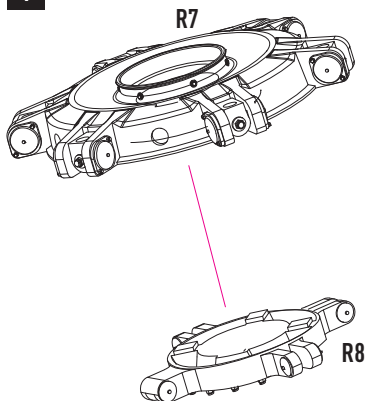


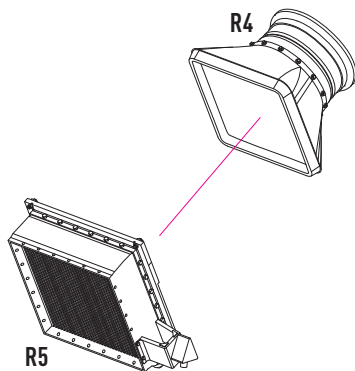
DETAILS AFTER REMOVAL FROM SUPPORTS



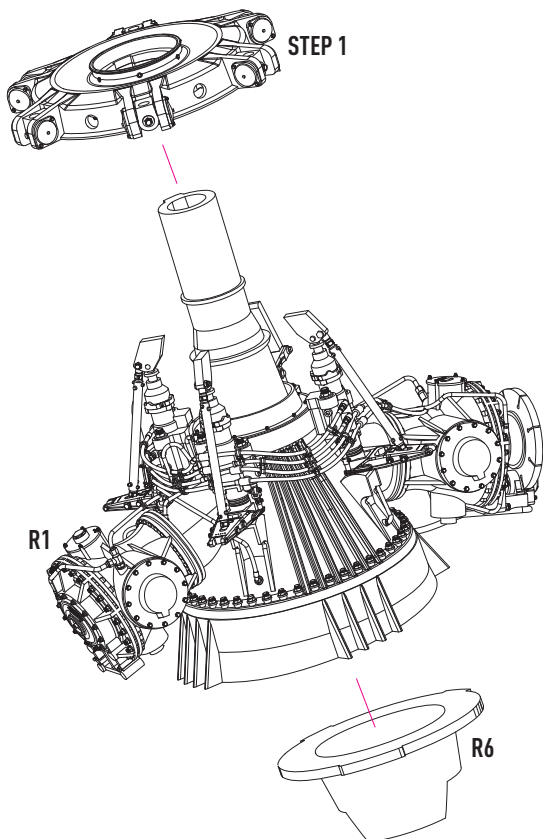
1



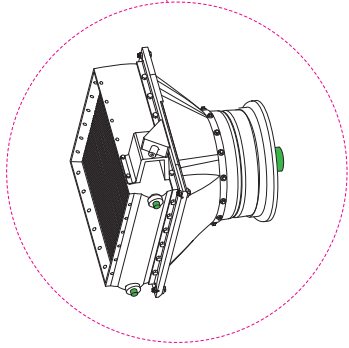
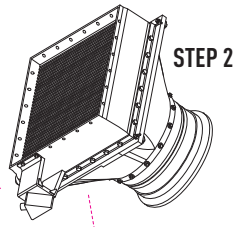
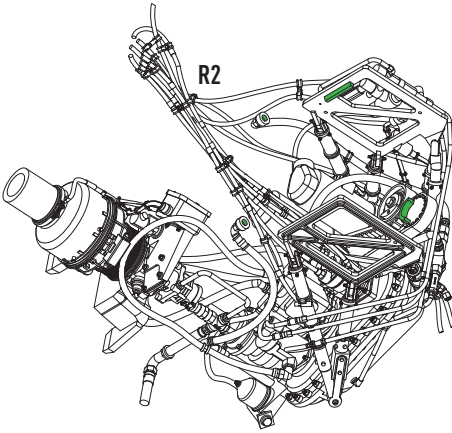
2



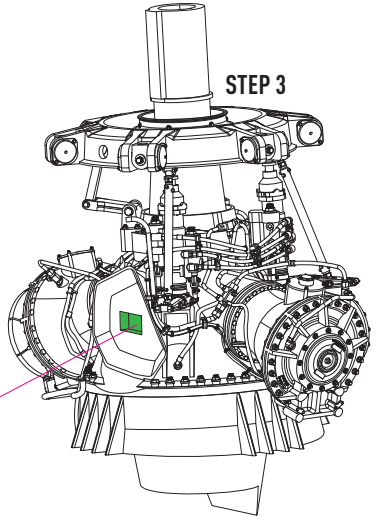
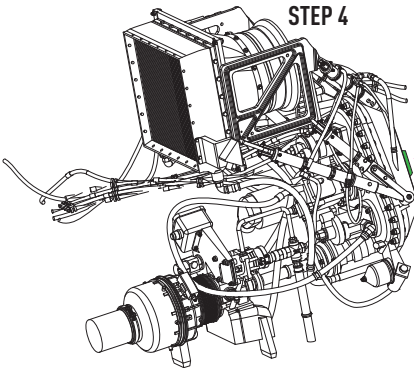
3

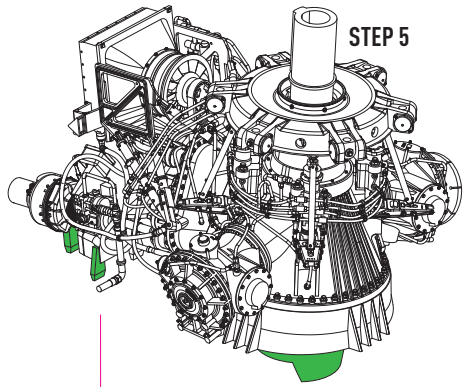


4

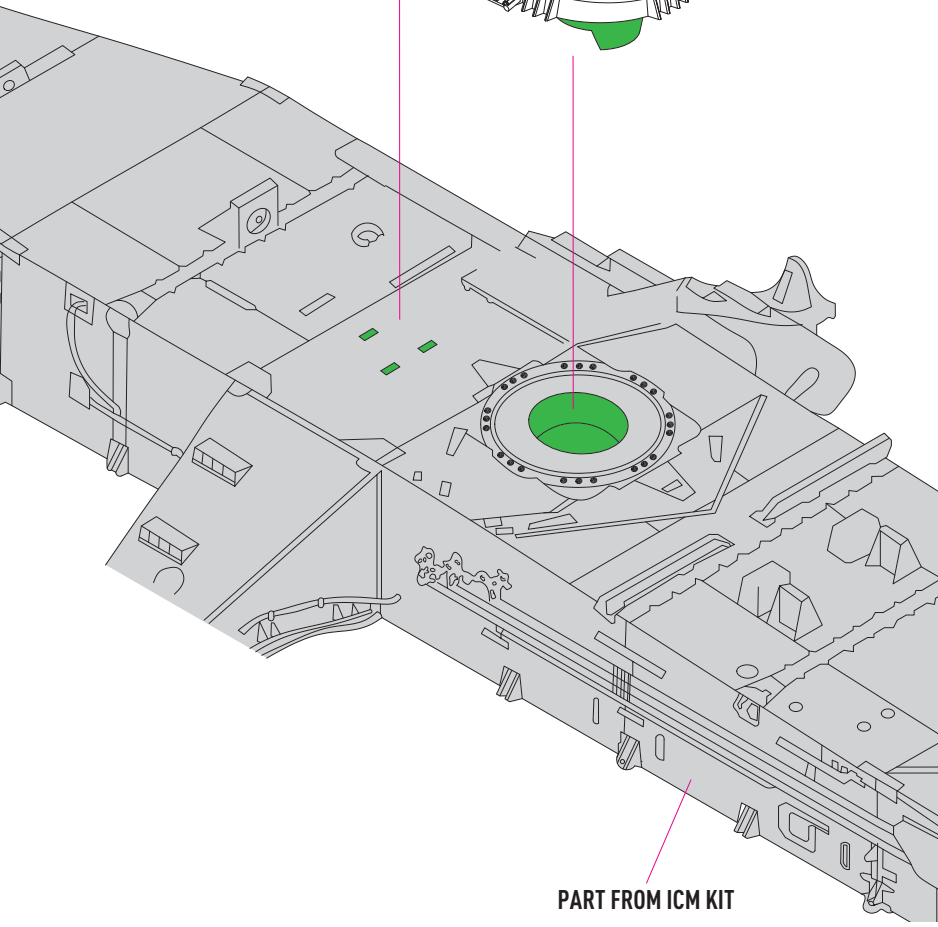


5



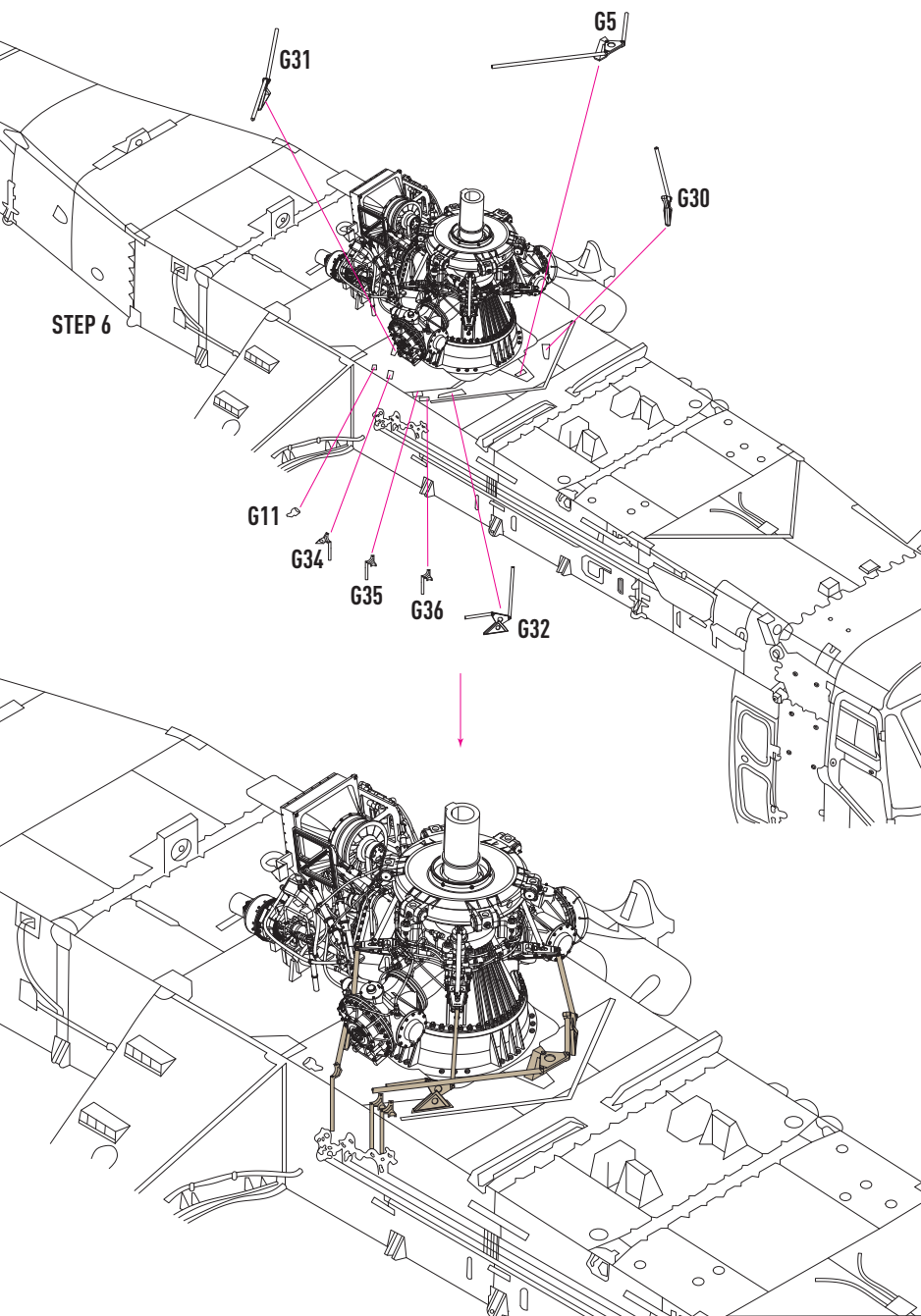


STEP 5

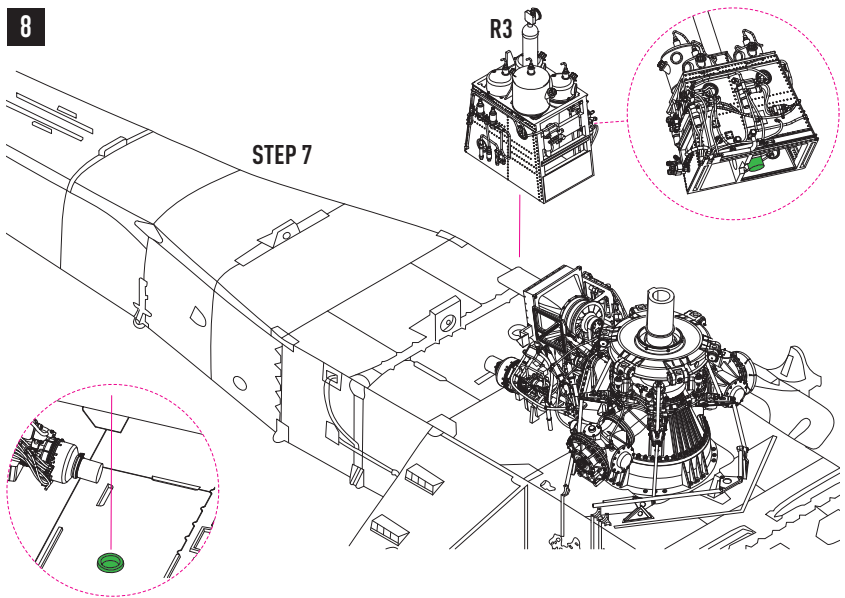


PART FROM ICM KIT

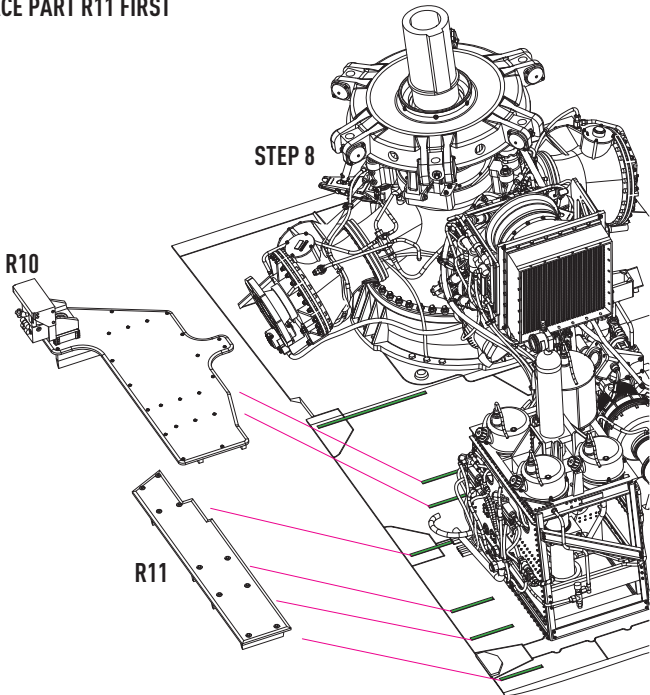
7 GLUE THE PARTS FROM ICM KIT



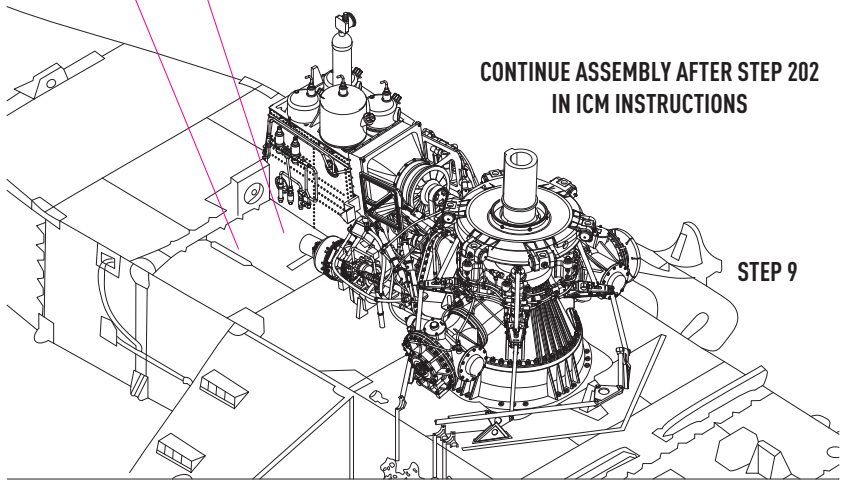
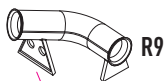
8



9 PLACE PART R11 FIRST



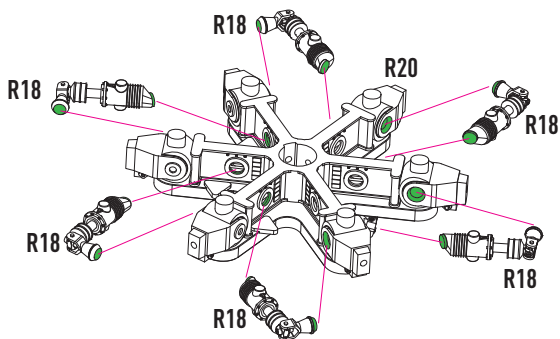
10



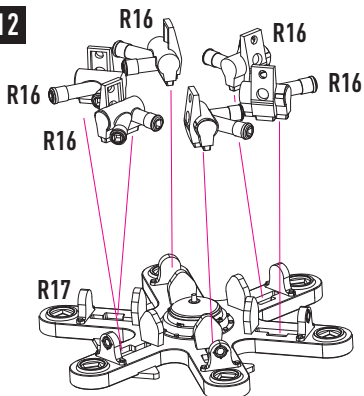
CONTINUE ASSEMBLY AFTER STEP 202
IN ICM INSTRUCTIONS

STEP 9

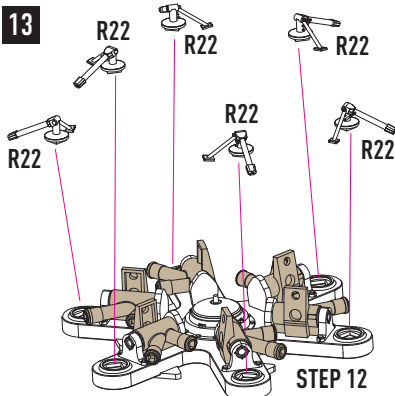
11



12

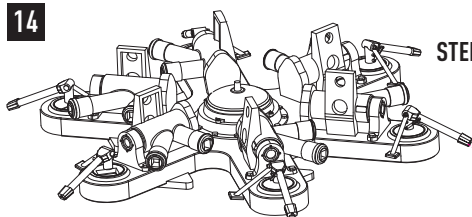


13

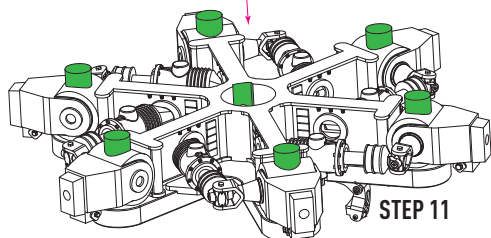
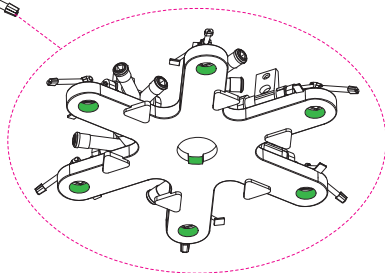


STEP 12

14

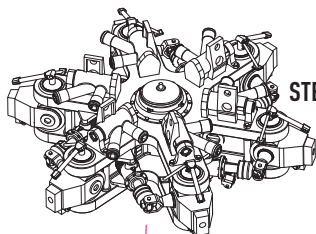


STEP 13

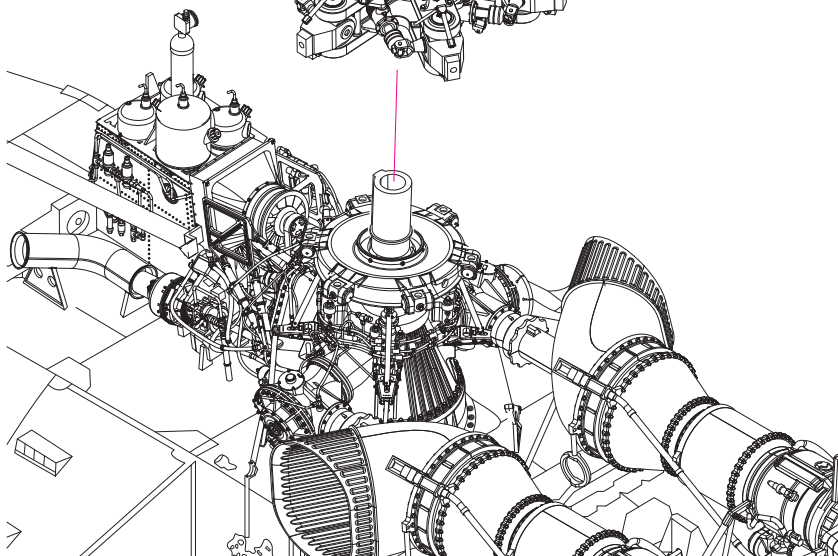


STEP 11

15



STEP 14



general issues: info@reskit.com.ua / claim resolution: claims@reskit.com.ua

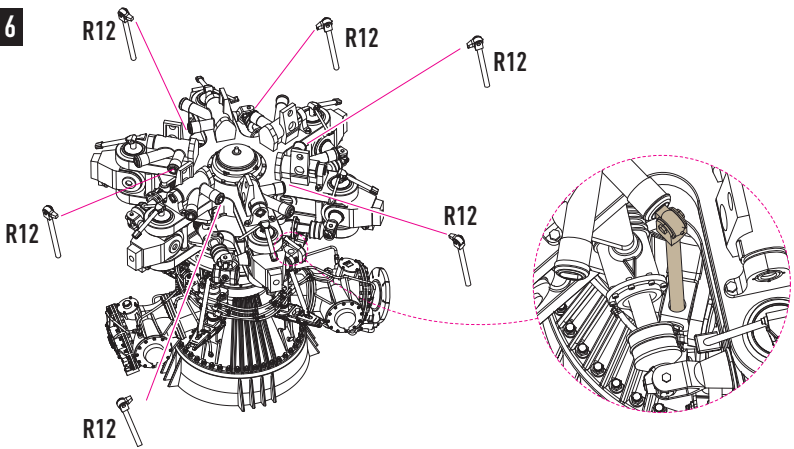
RESKIT-MODELS.COM

 fb.com/reskit.official

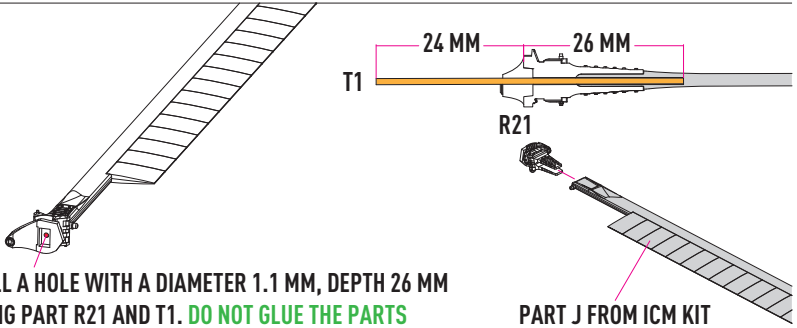
 instagram.com/reskit_official

 pinterest.com/reskit_official

16



17

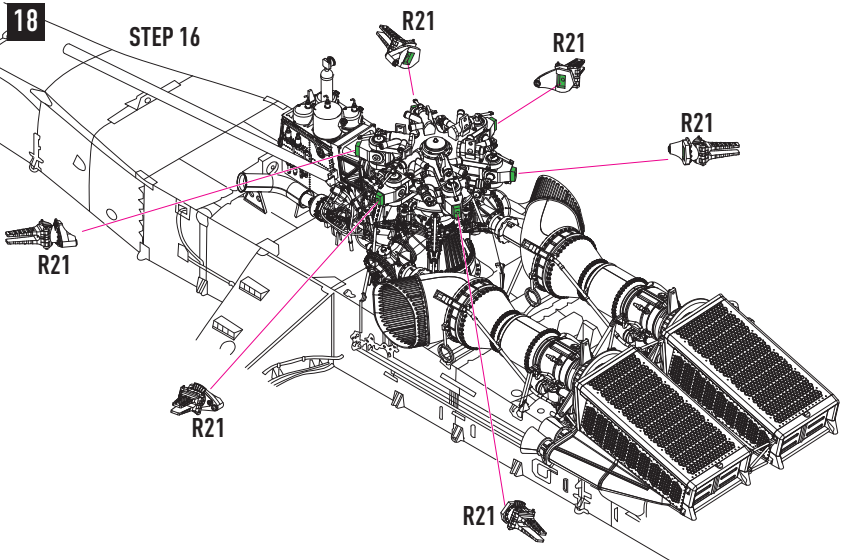


DRILL A HOLE WITH A DIAMETER 1.1 MM, DEPTH 26 MM
 USING PART R21 AND T1. **DO NOT GLUE THE PARTS**

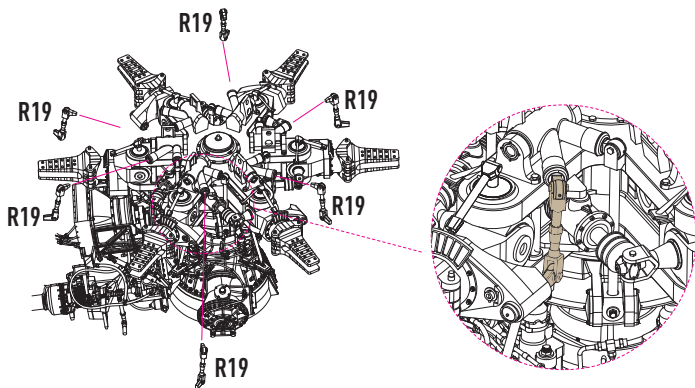
PART J FROM ICM KIT

18

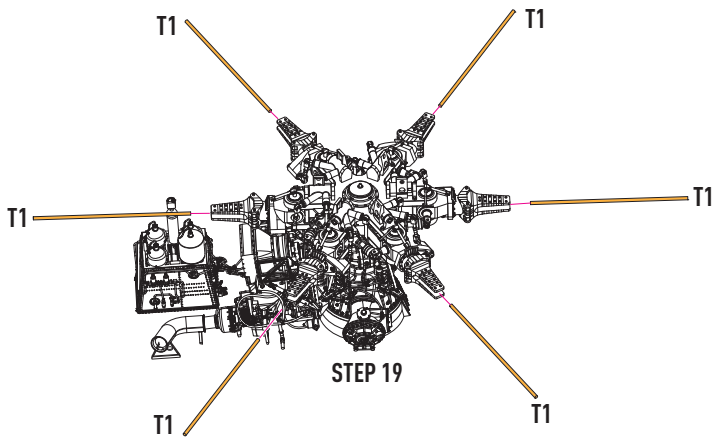
STEP 16



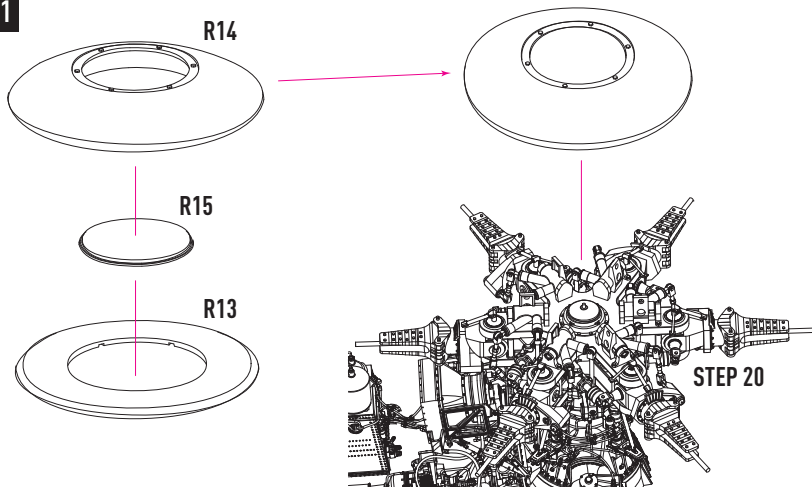
19

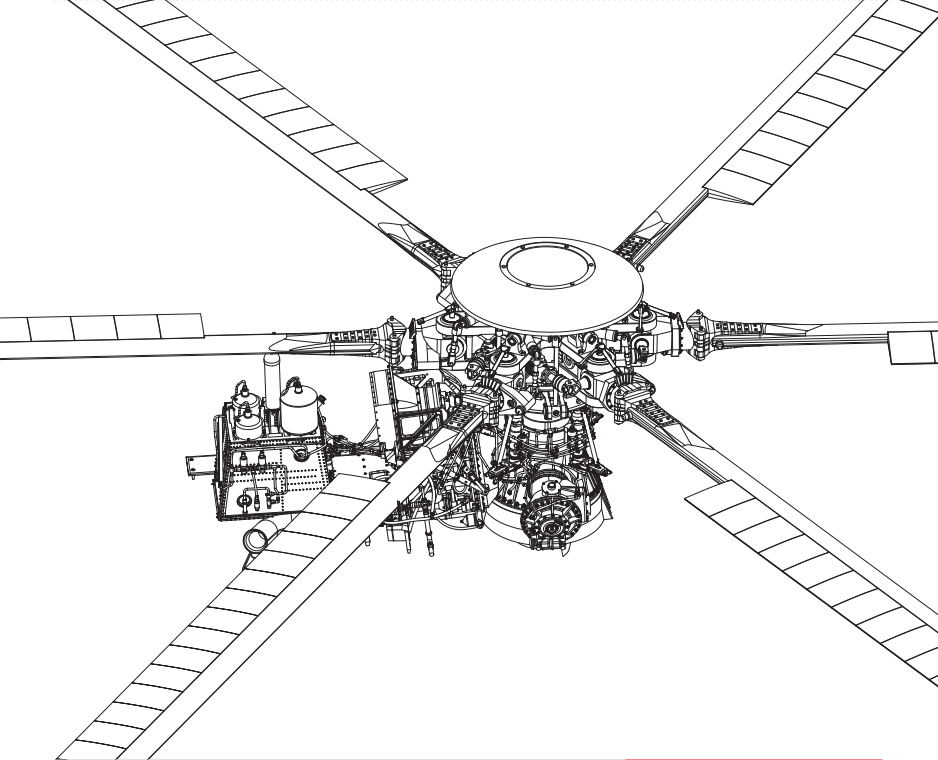
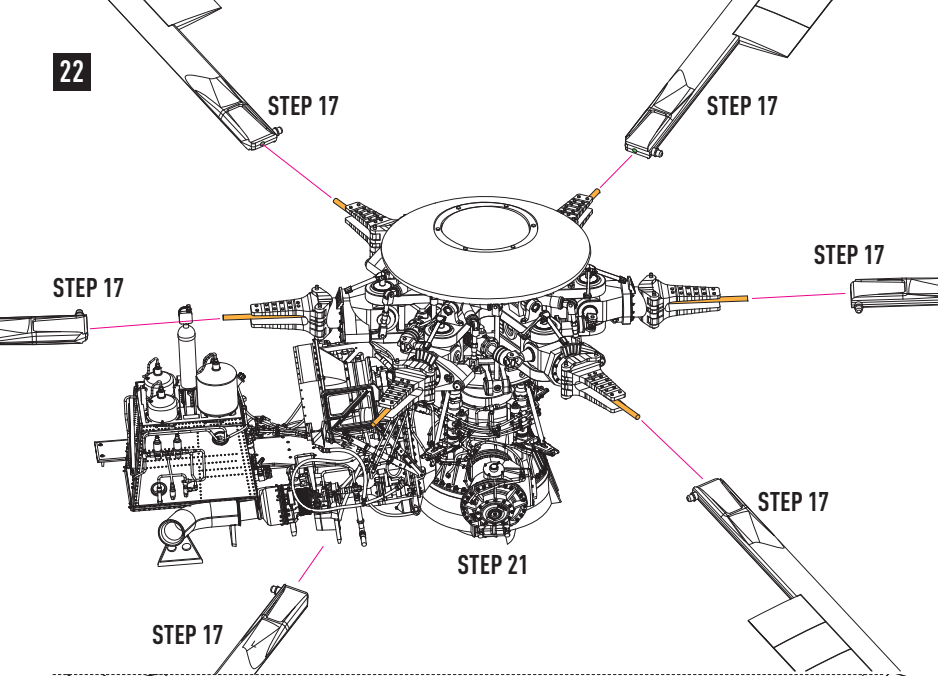


20



21





**YOU CAN FIND INSTRUCTIONS
IN PDF FORMAT ON THE WEBSITE**

RESKIT-MODELS.COM

General Issues: info@reskit.com.ua

Wholesales: sales@reskit.com.ua

Claim Resolution: claims@reskit.com.ua