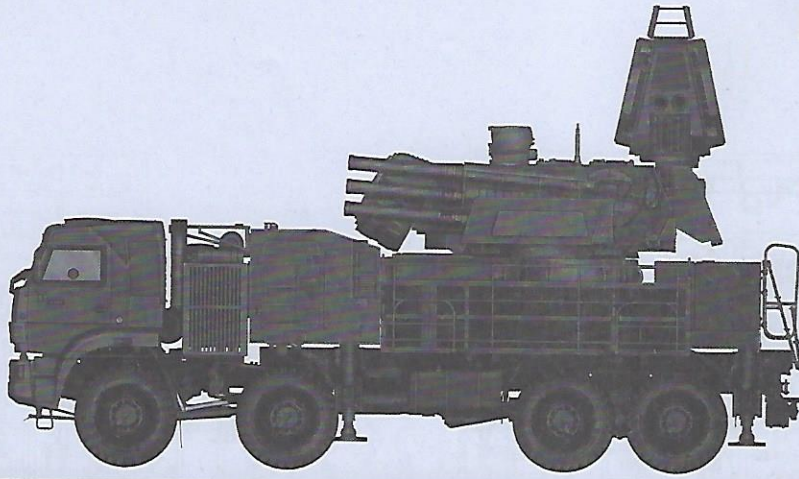


1/35 SCALE

ITEM NO.:01061



Russian 72V6E4 Combat Unit of 96K6 Pantsir -S1 ADMGS (w/RLM SOC S-band Radar)

俄罗斯铠甲-S1防空系统(带RLM SOC S波段雷达)

READ BEFORE ASSEMBLY:

装配之前仔细阅读

- Study and understand these instructions thoroughly before beginning assembly
- When needed, remove photo-etch parts carefully using a modeling knife or photo etch sprue cutter, being careful not to damage or lose small parts.
- Take extra care in handling photo etch parts in order to avoid injury
- Apply instant cement sparingly to photo etch parts where instructed
- Tools recommended(not included in kit):Plastic and instant cements, sprue cutters,long nose pliers,modeling knife, small files, tweezers, pin vise & scissors. Soft cloth and sandpaper will also assist in construction
- Glue and paint are not included in the kit. Use plastic cement and hobby paints only. Color guide for purchasing paint is included in the kit.

- 小心用模型锉刀锉平所有零件表面的注射浇口。
- 小心用刀片切下蚀刻片零件，不要遗失小零件。
- 用强力快干胶水粘合蚀刻片零件和金属轴。过量快干胶水使用可能导致可动零件会粘住，小心涂胶。
- 取蚀刻片时应特别注意安全，防止利边划伤手指。
- 某些零件表面需贴水上贴纸，请选择在装配的同时进行。
- 推荐模型工具(自备)：胶水，水口剪刀，长咀钳，刀片，锉刀，镊子，钳，钻，剪刀，瞬间快干胶。
- 软布同砂纸同时也应该是必备工具。
- 请使用塑料胶水和油漆，模型内不含。



配重
Weight



使用强力胶
Cyanoacrylate glue



钻孔
Make hole



切除
Cut / Remove



贴纸
Decal



锉平
File / Sand



选择
Option



不涂胶水
No cement



弯曲
Bend



先装
Install it first

水贴纸的使用:

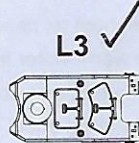
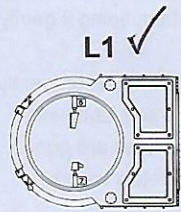
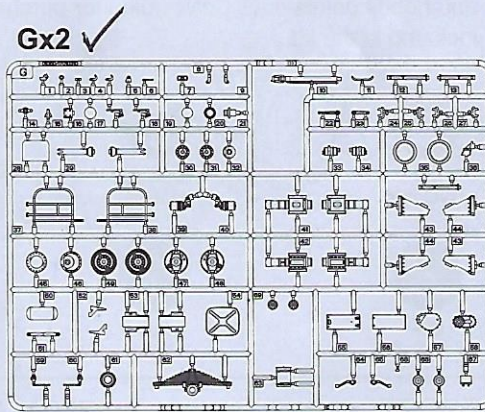
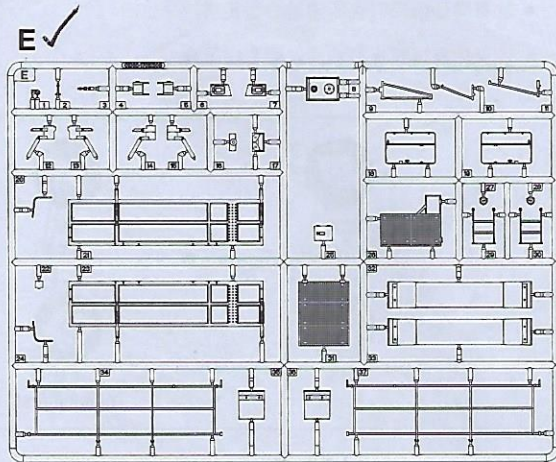
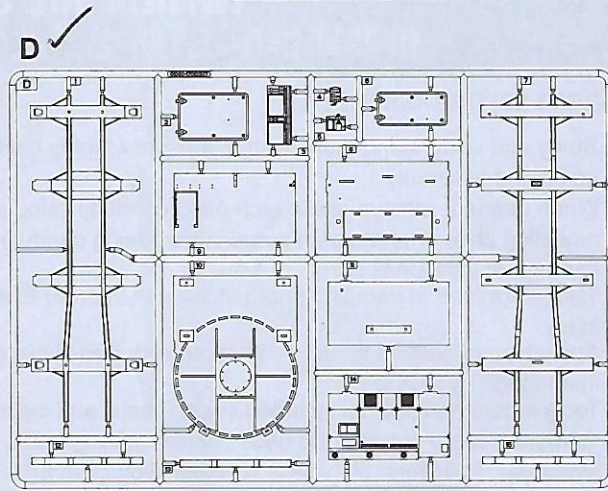
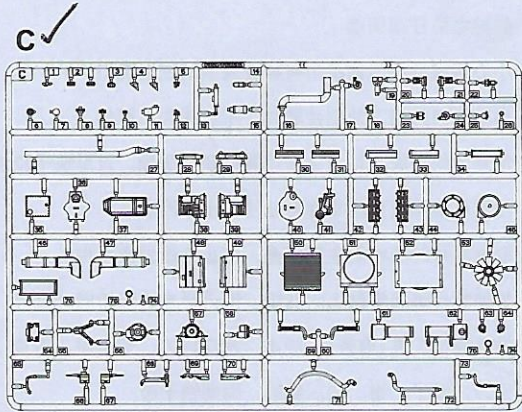
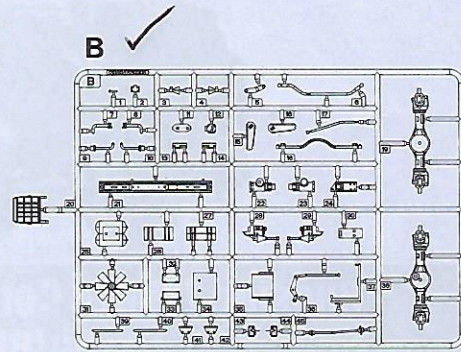
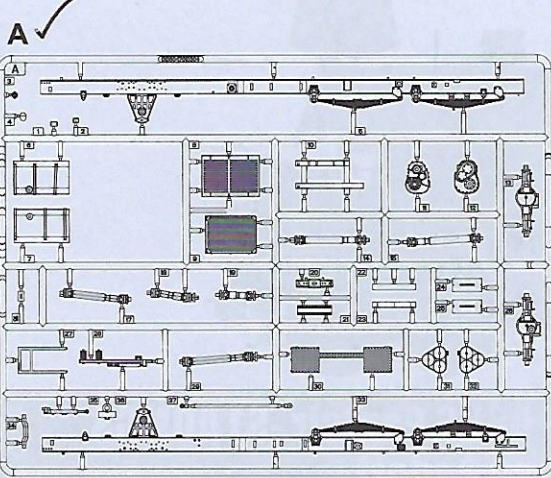
- 1.从水贴纸上剪下印花;
- 2.将印花放入温水中浸10秒, 然后放在干净布上。
- 3.拿着印花纸板将印花移到模型上;
- 4.手指蘸水将印花移到适当的位置;
- 5.用软布轻压印花直至水干, 汽泡消失

DECAL APPLICATION

- 1.Cut decals from sheet as needed
- 2.Dip the decal in warm water for about 10 seconds and then place on soft clean cloth.
- 3.Hold the decal backing sheet edge and gently slide the decal onto the model in its proper position.

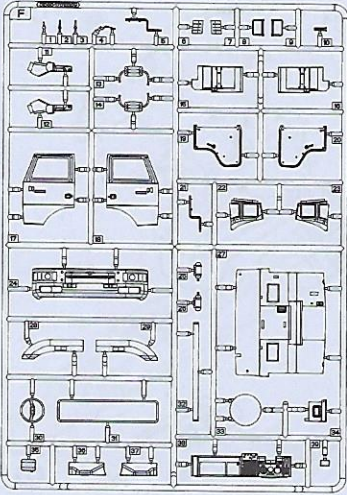
- 4.While still wet,decal can be adjusted for better fit on model by dampening it gently with your finger.
- 5.When placed in the proper position,gently press decal down with a soft cloth until excess water and air bubbles are gone.
- 6.Allow decal to dry completely before handling model

部品图
Parts

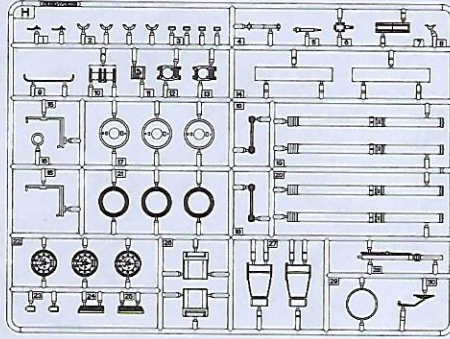


部品图
Parts

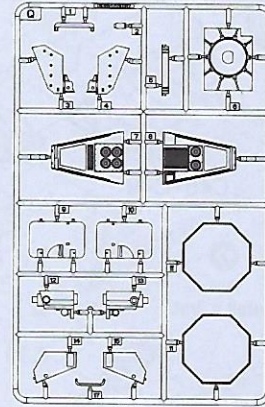
F ✓



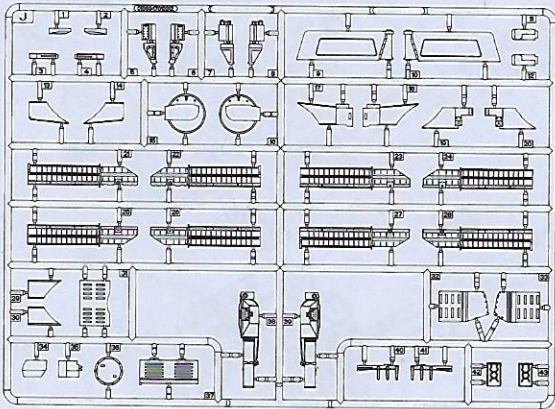
Hx3 ✓



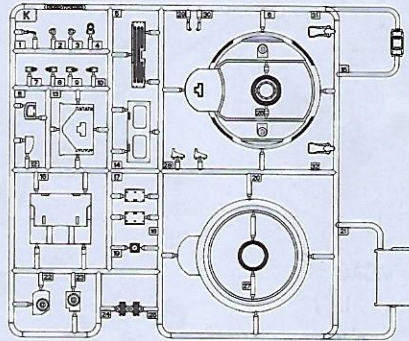
Q ✓



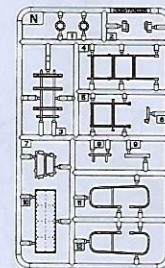
J ✓



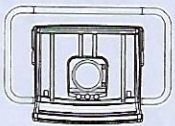
K ✓



Nx2 ✓



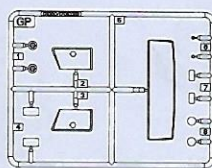
F40 ✓



Q16 ✓



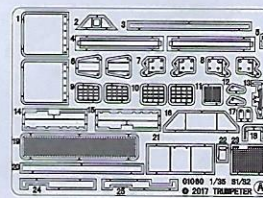
GP ✓



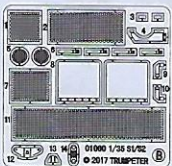
《轮胎》
Tyre x9 ✓



《蚀刻片》
PE-A ✓



《蚀刻片》
PE-B x4 ✓



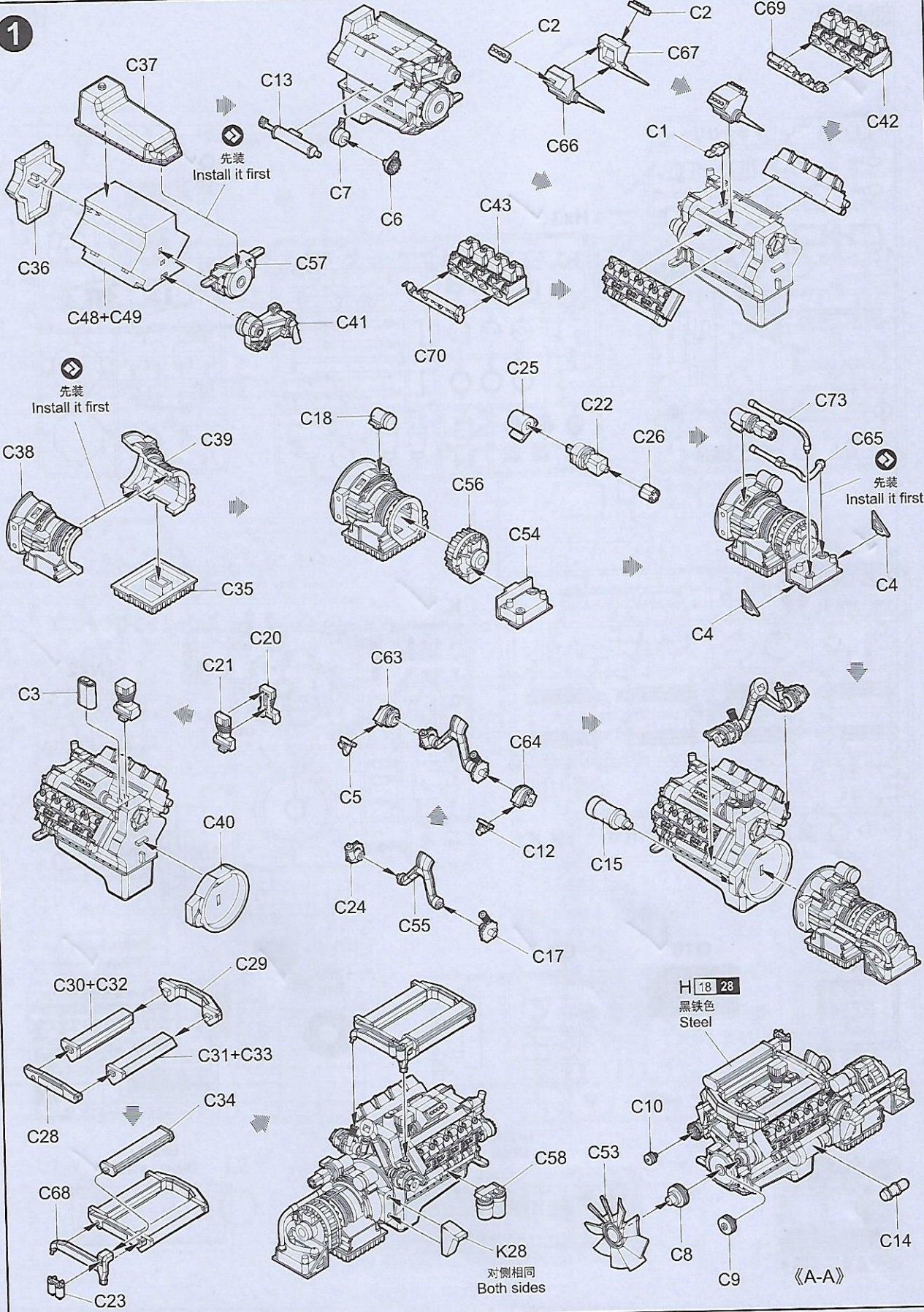
《水贴纸》
Decal ✓



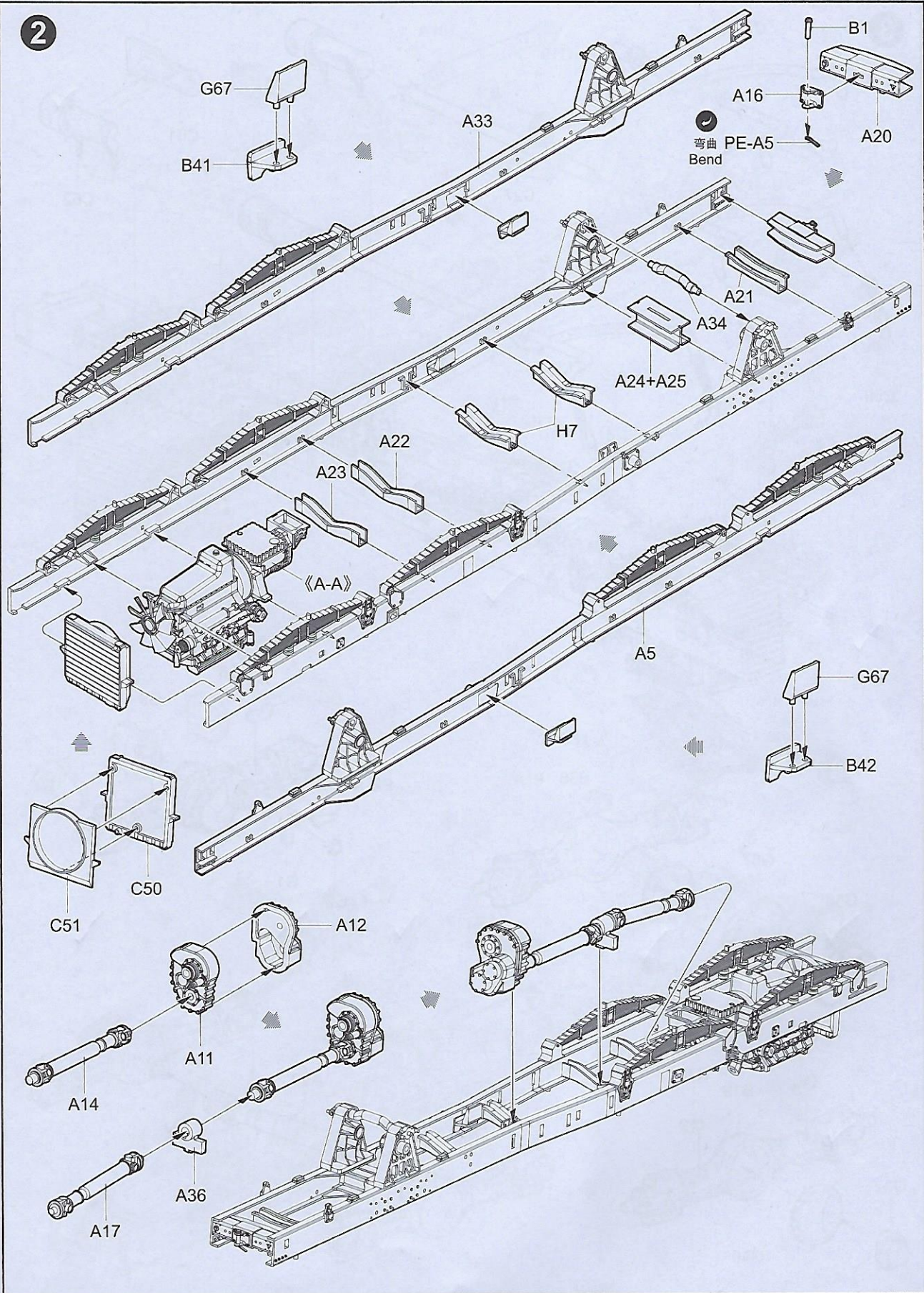
《遮盖纸》
Die-cut mask ✓



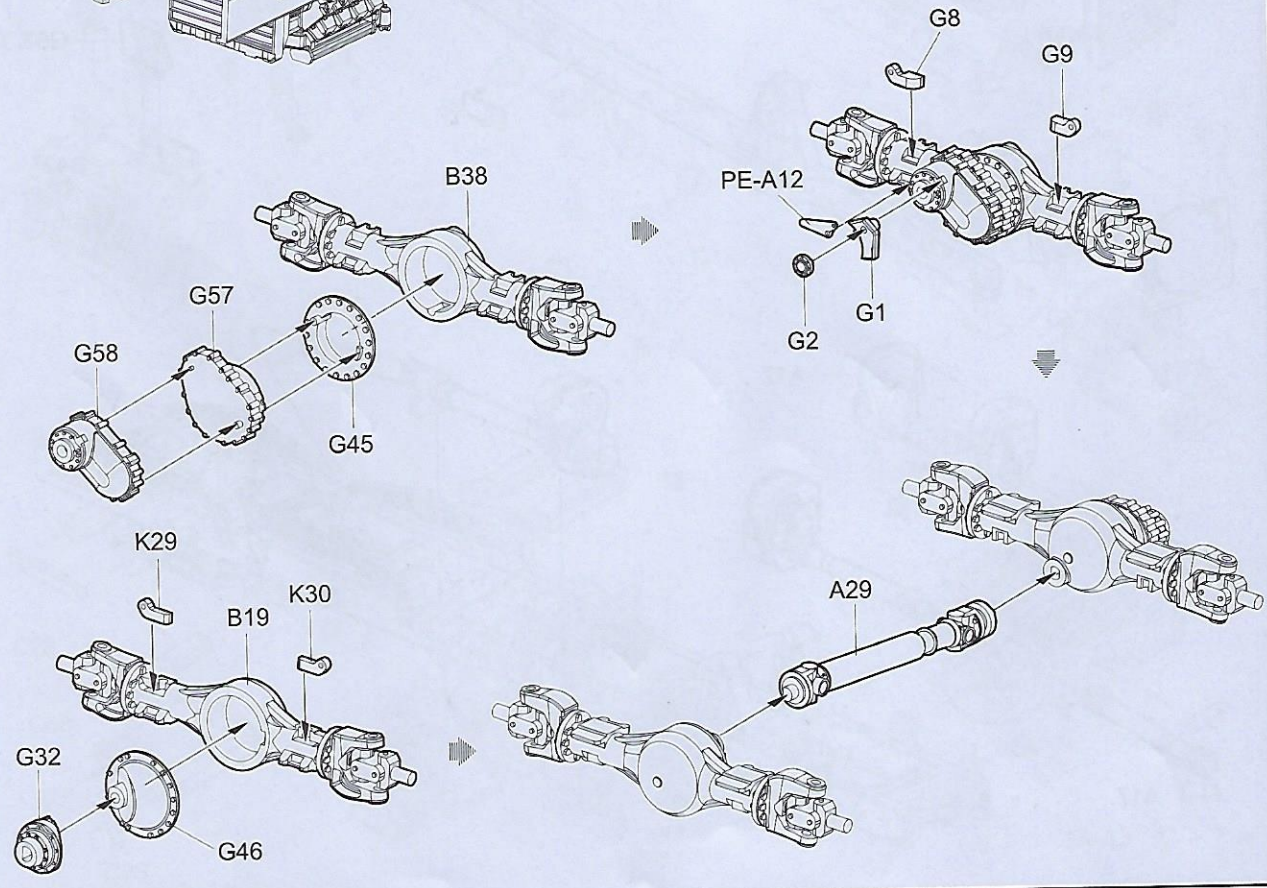
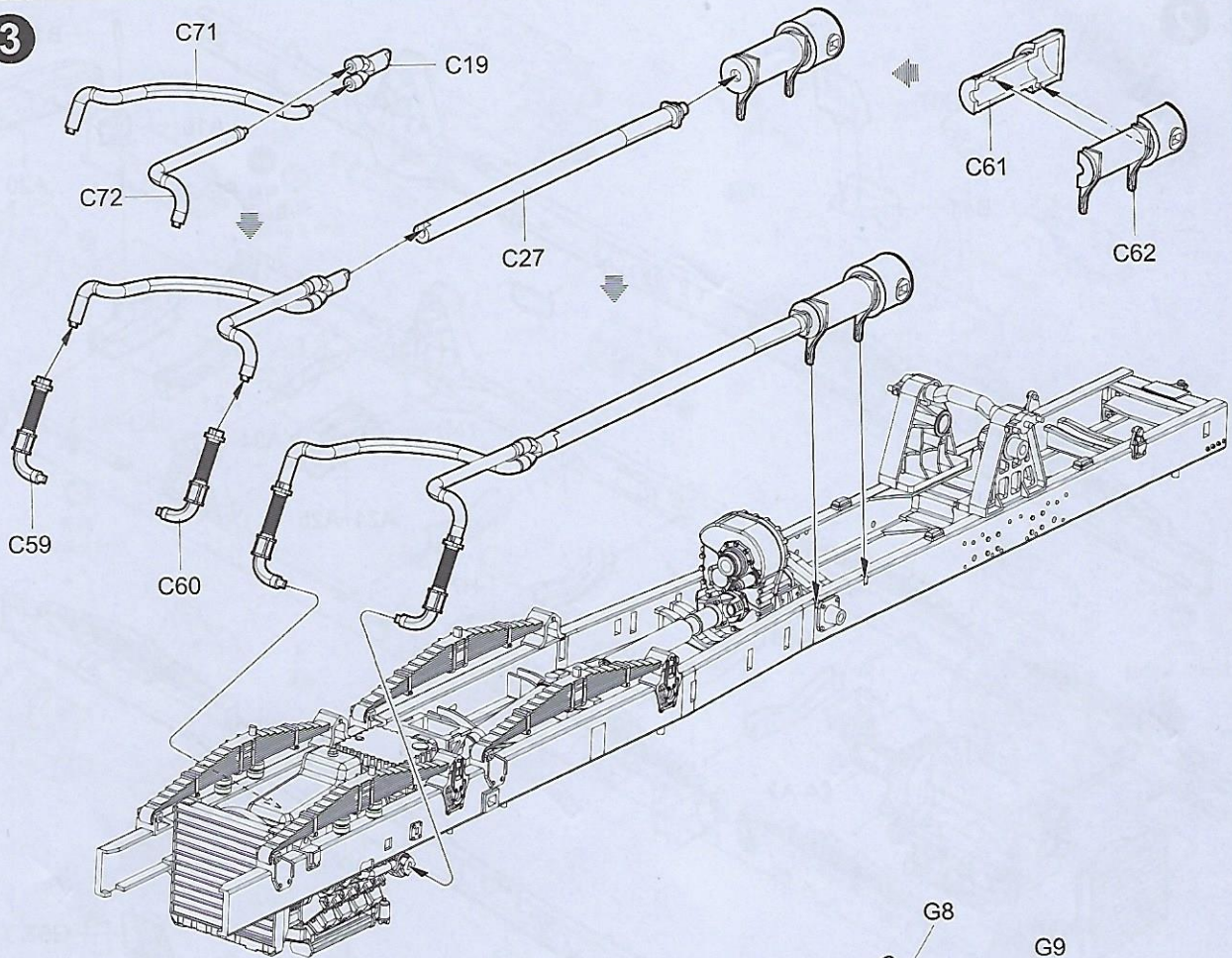
1



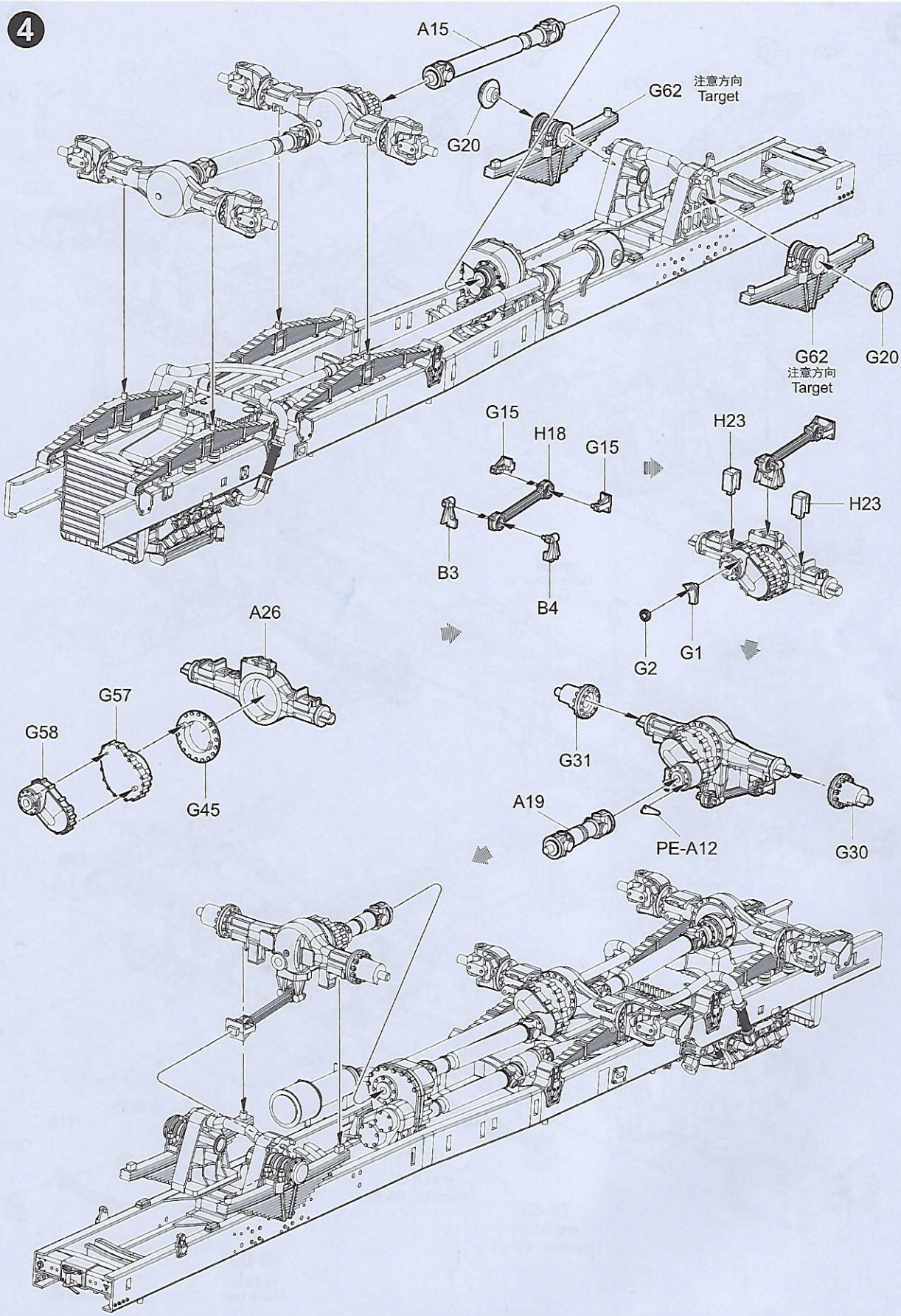
2



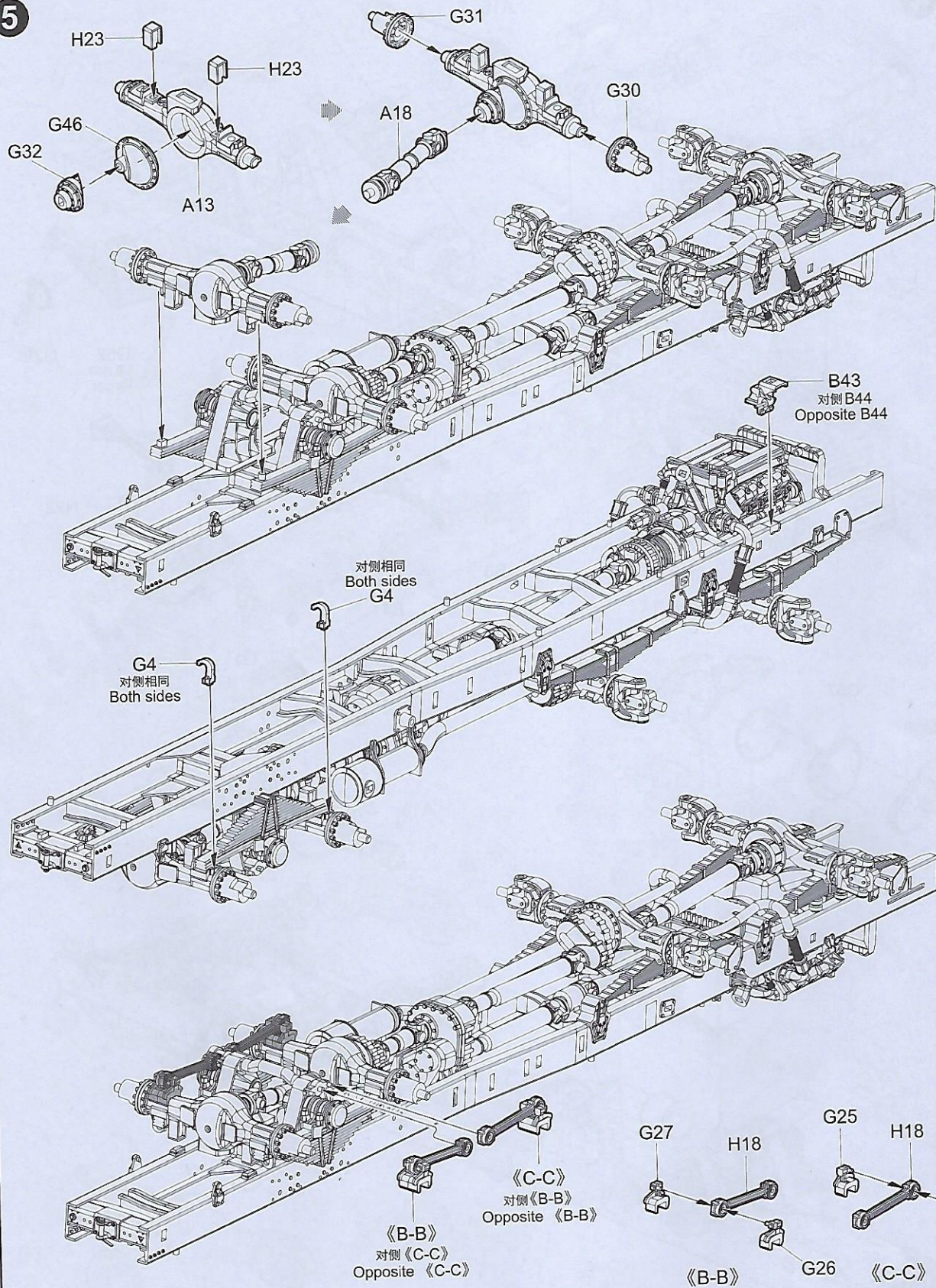
3



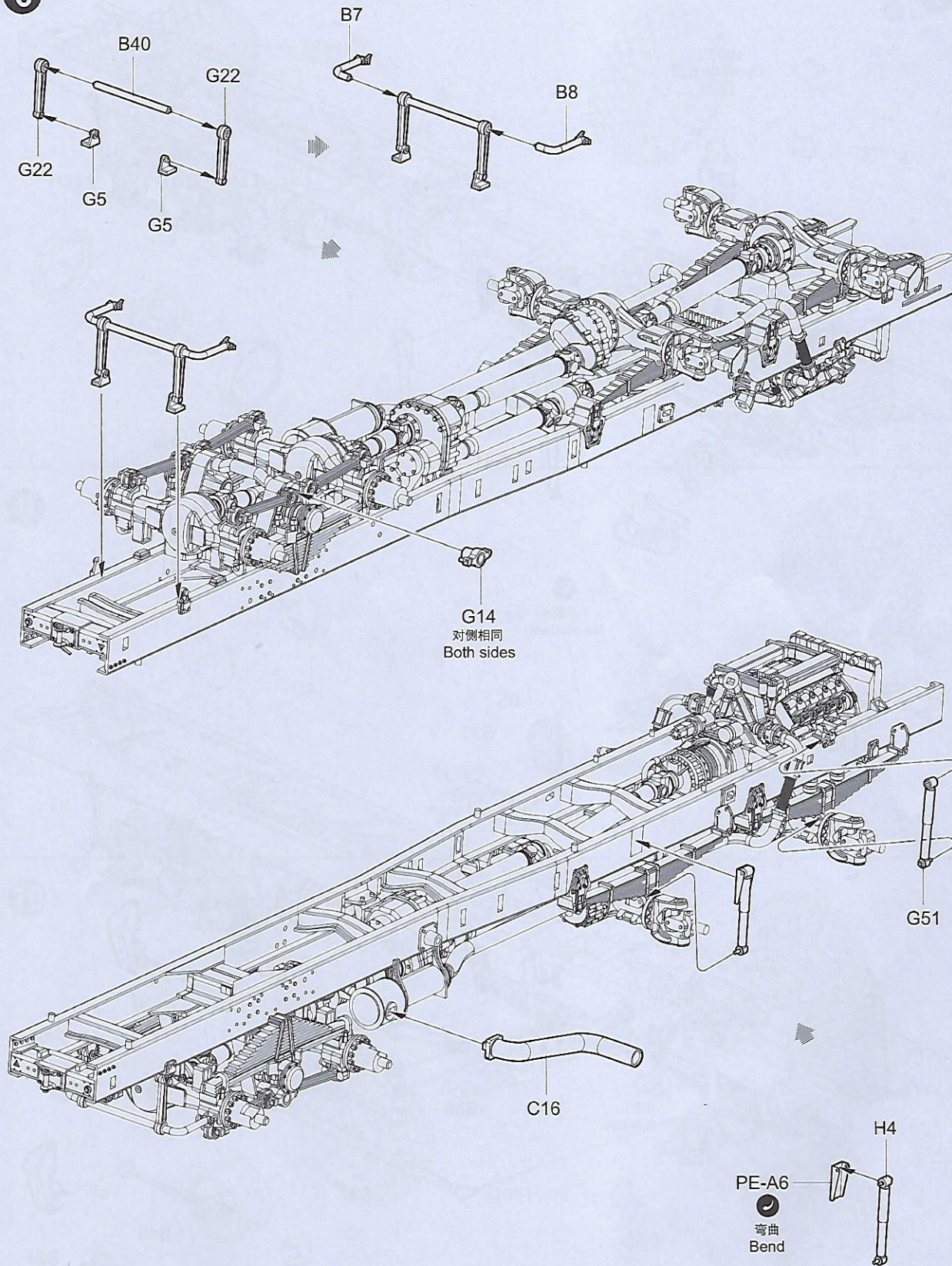
4



5

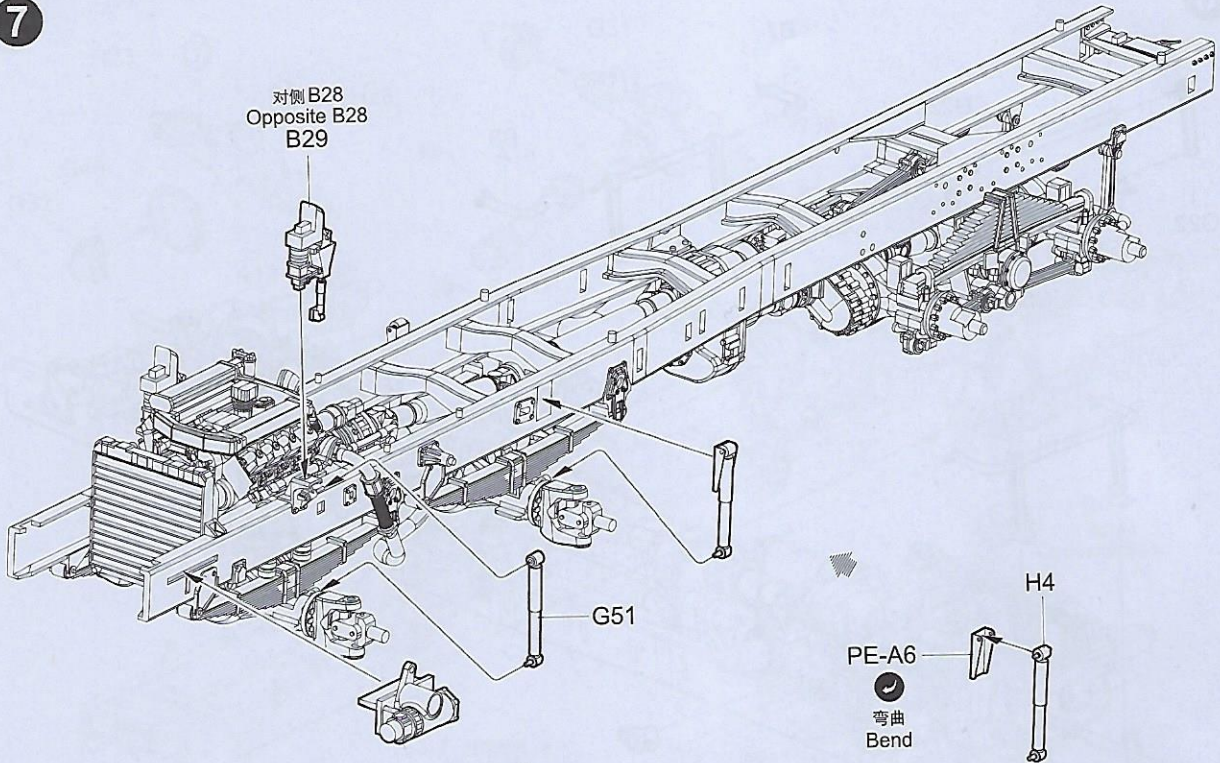


6

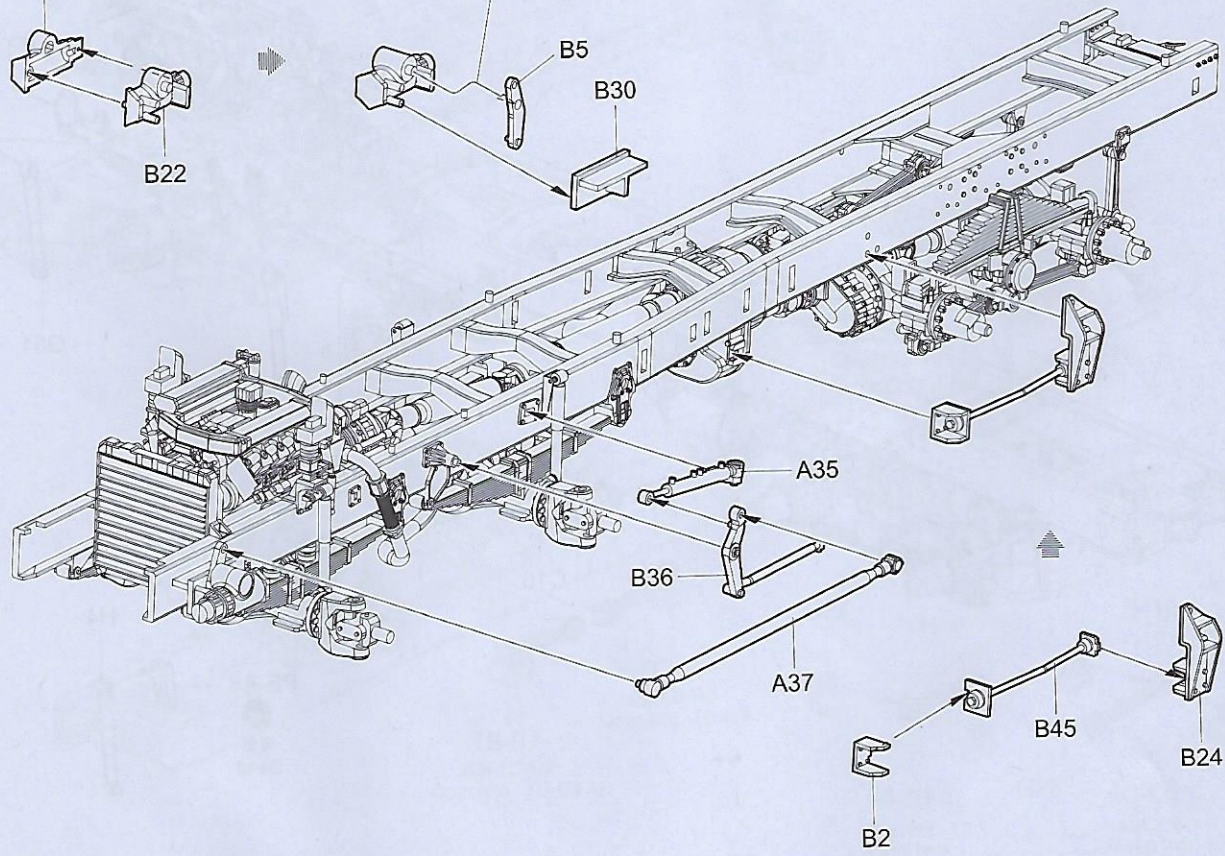
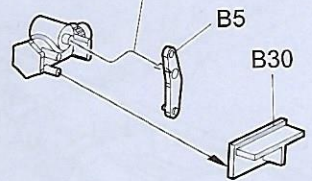
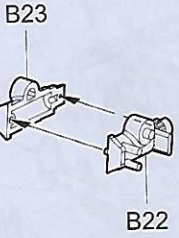


7

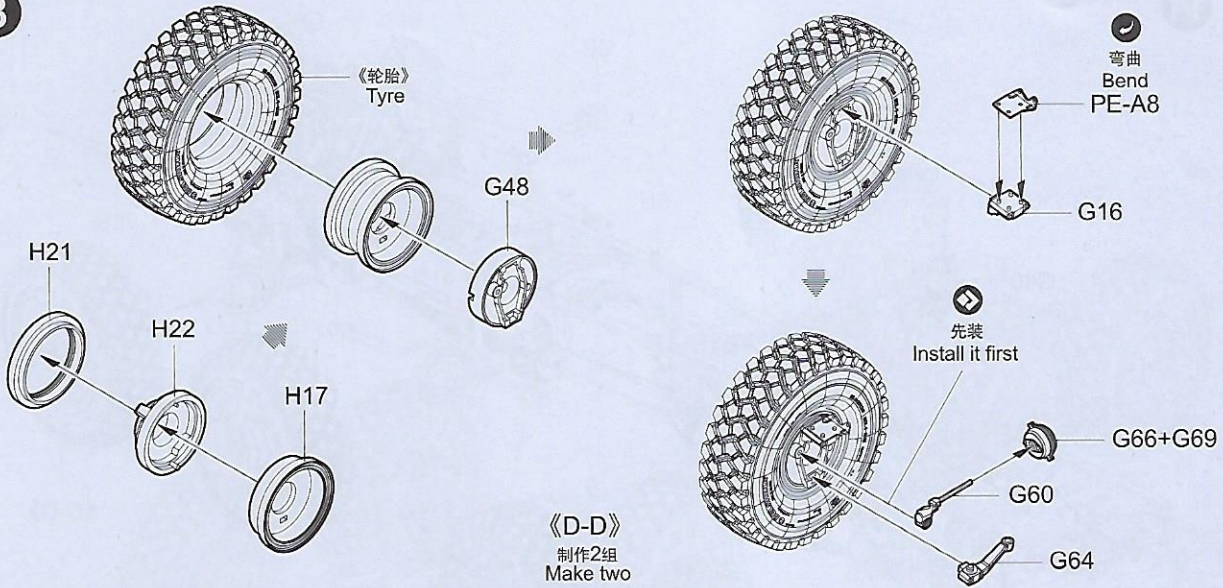
对侧 B28
Opposite B28
B29



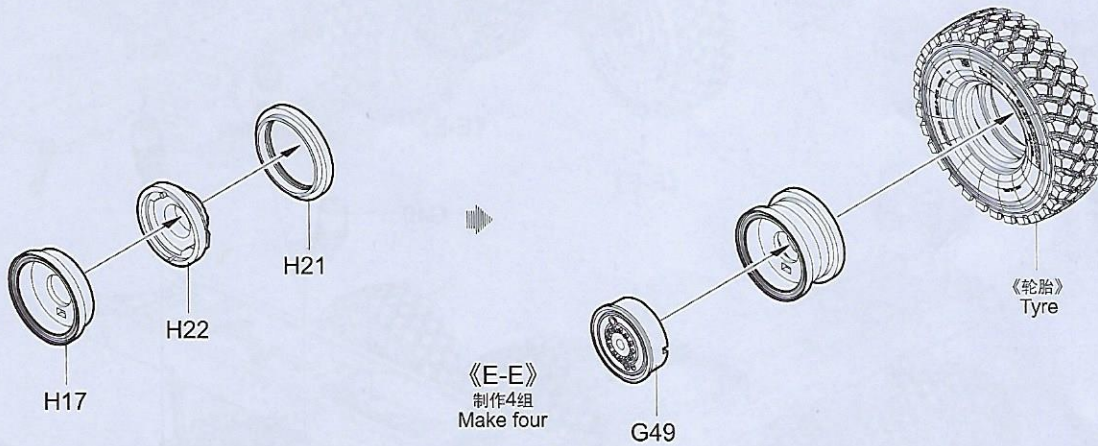
不涂胶水
No cement



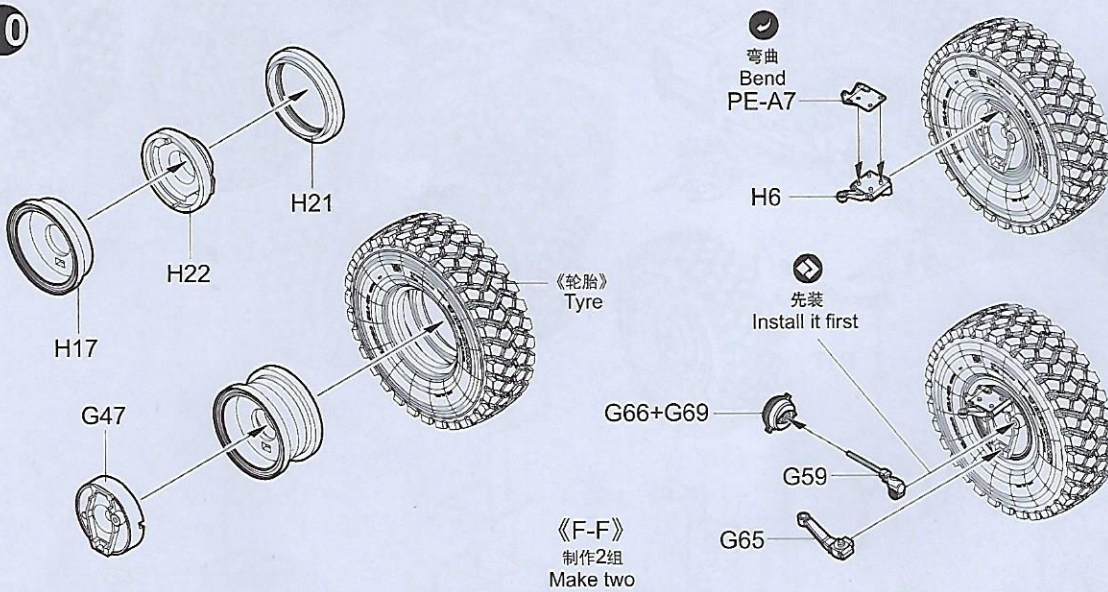
8



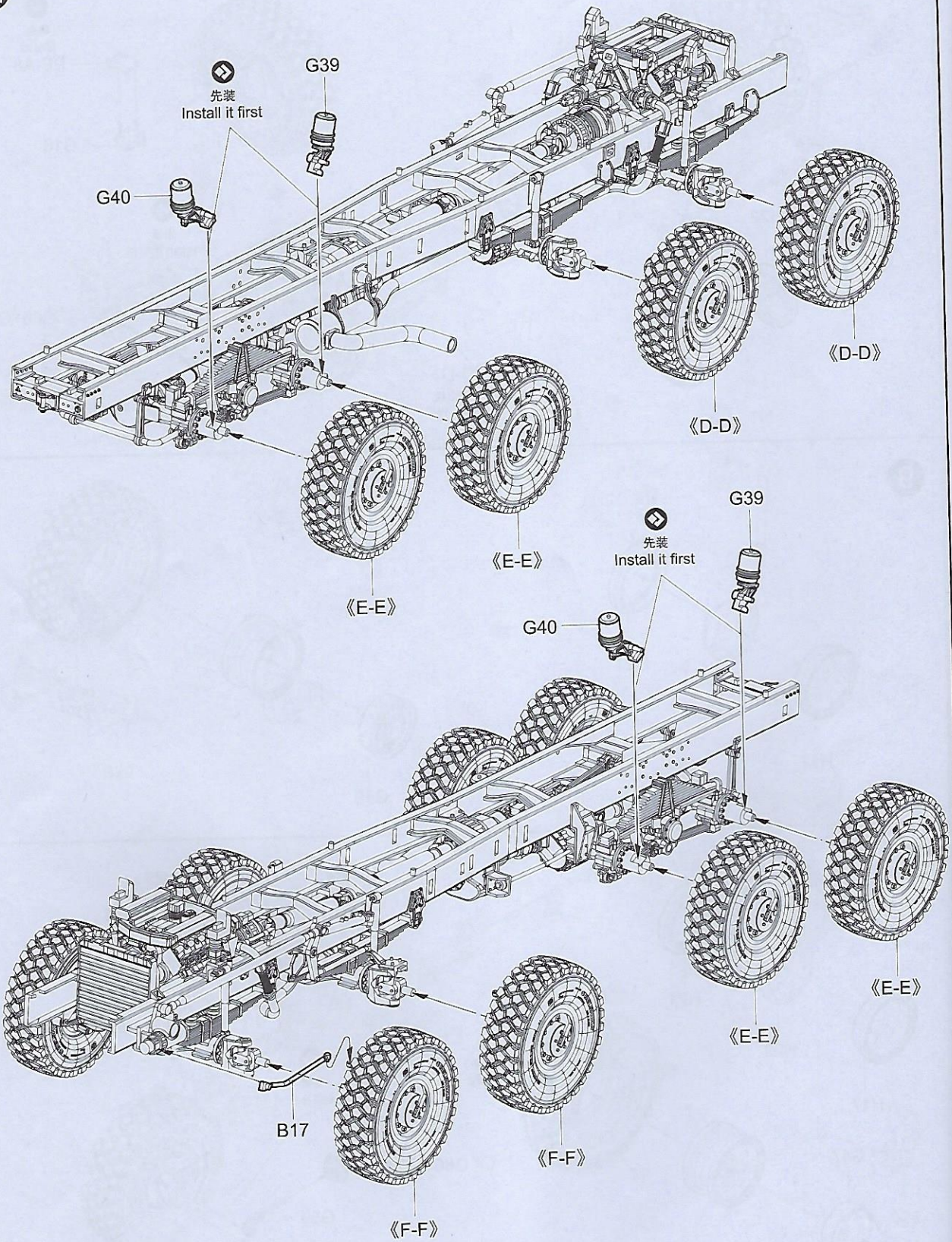
9



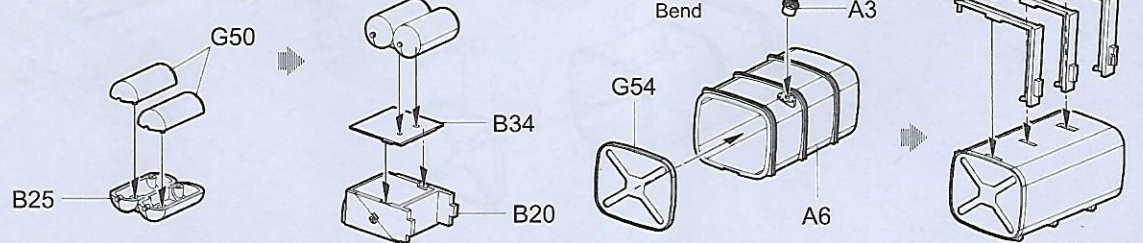
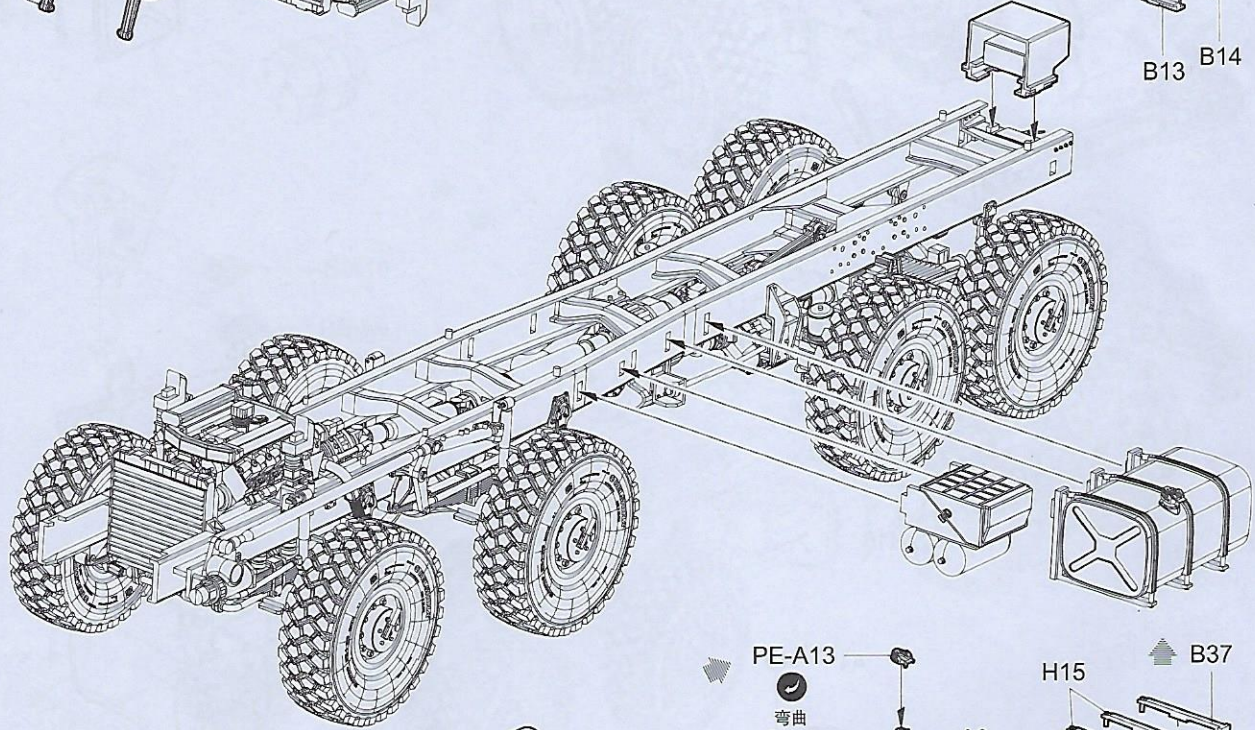
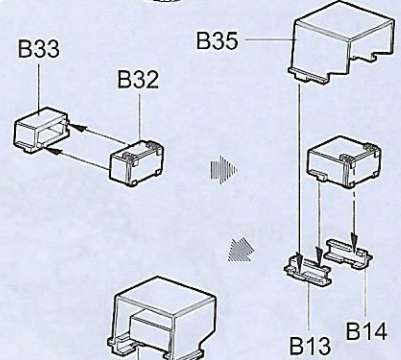
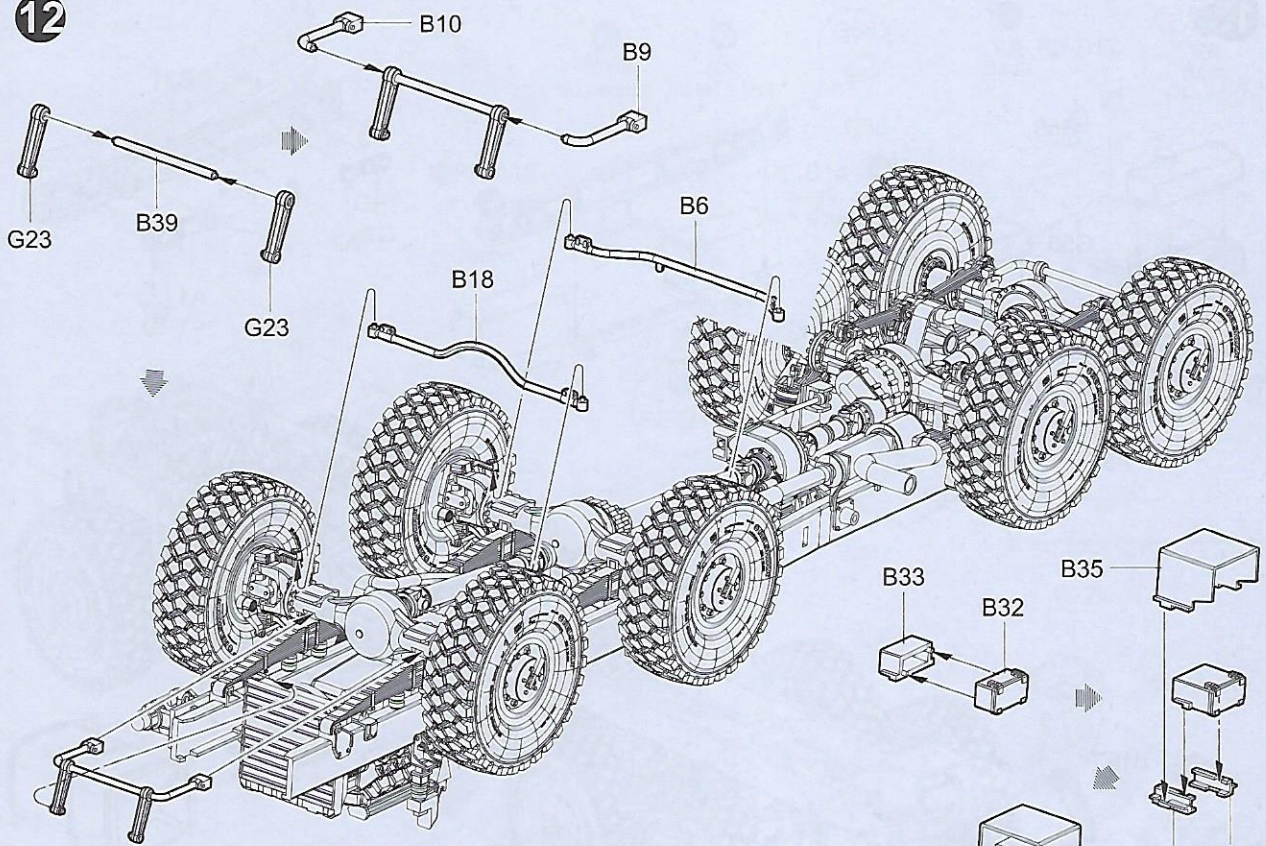
10



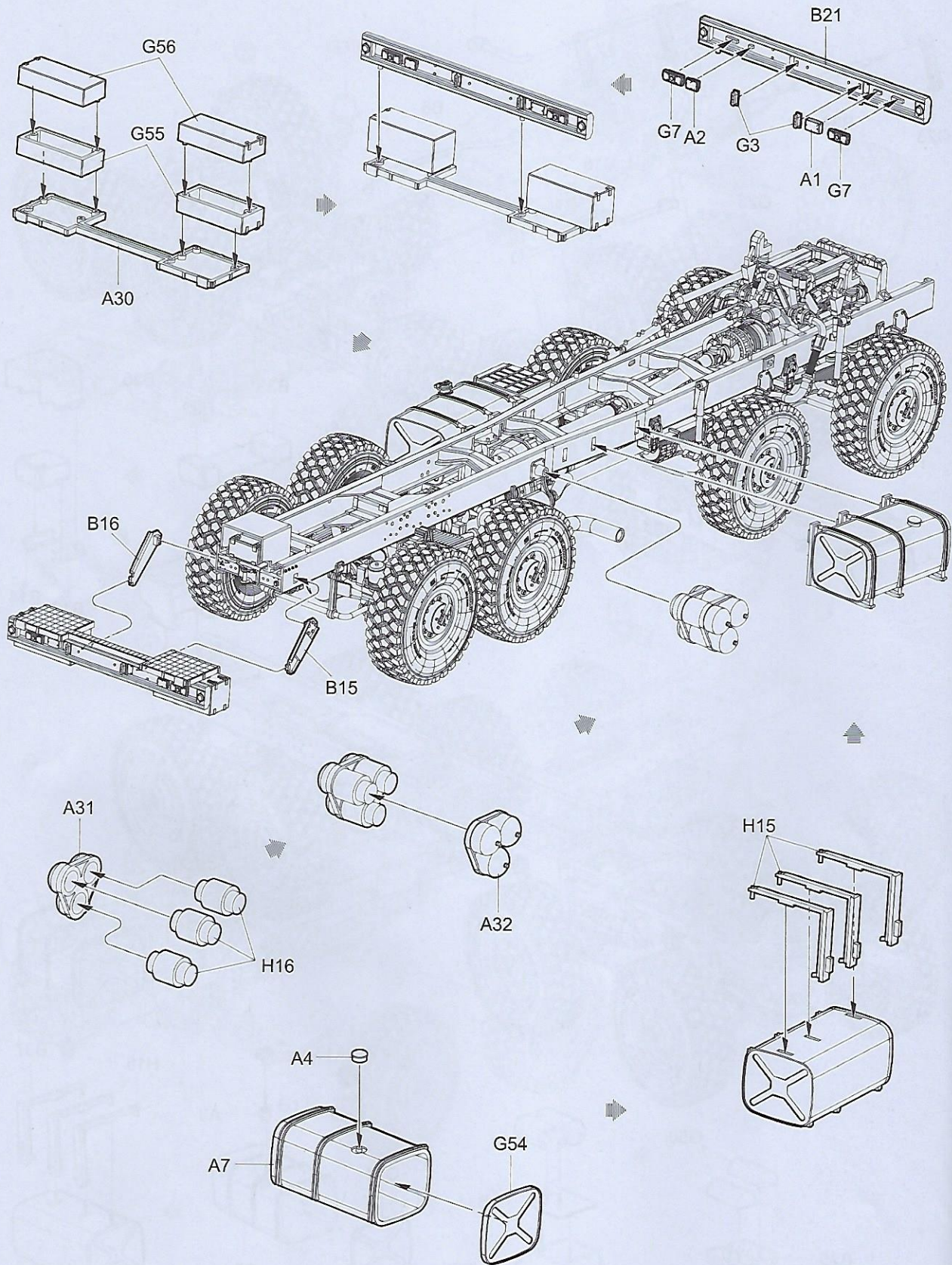
11



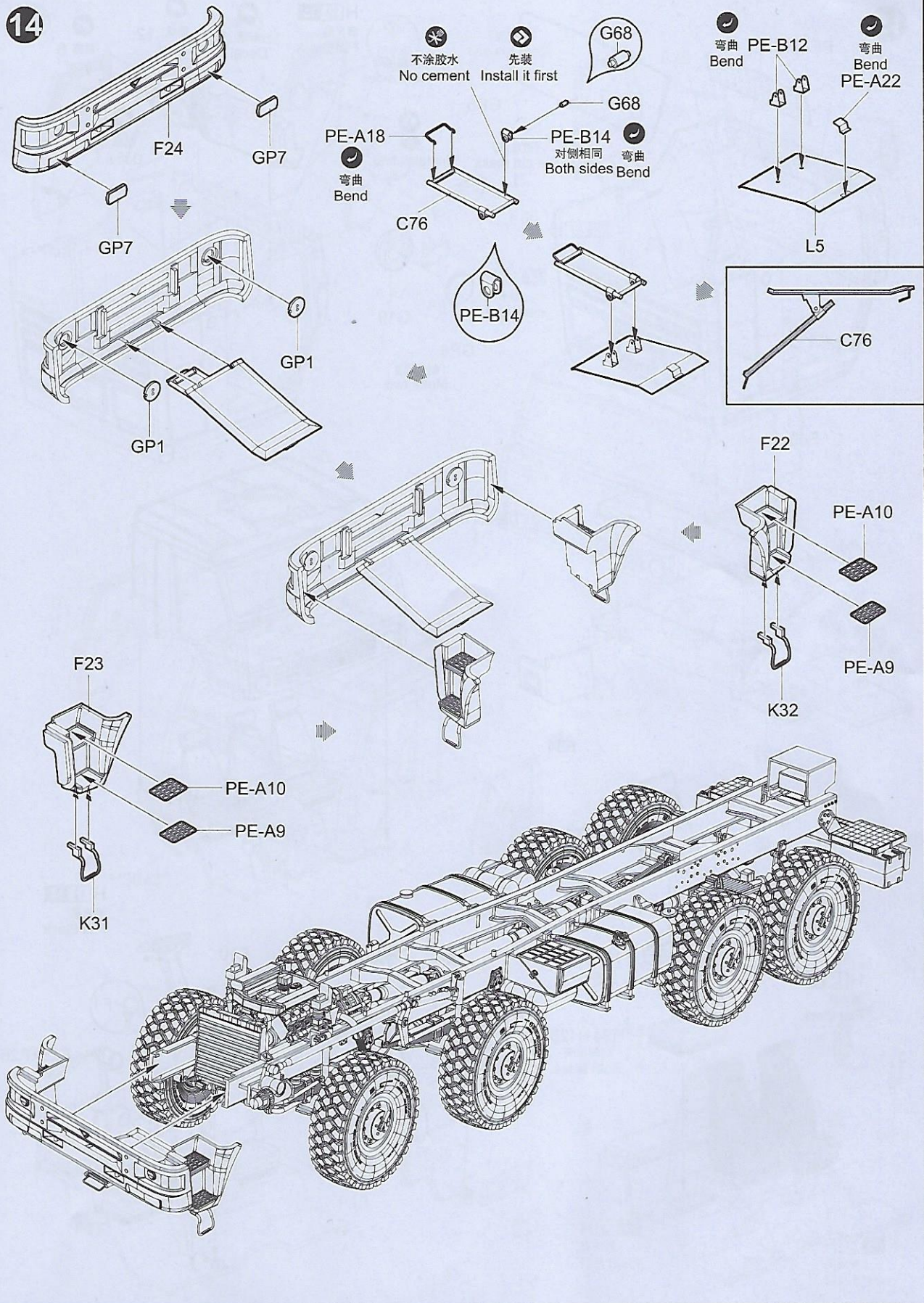
12



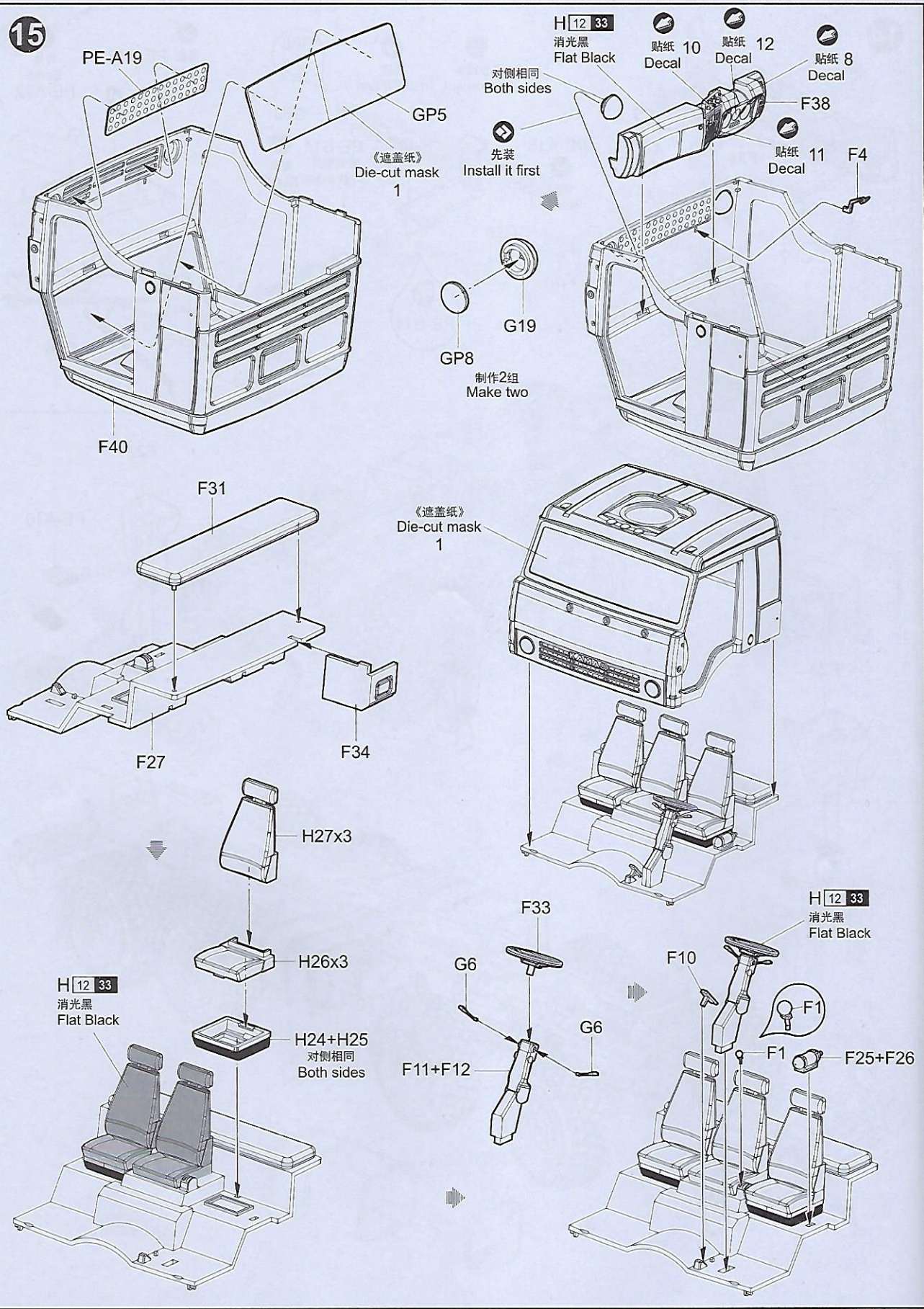
13



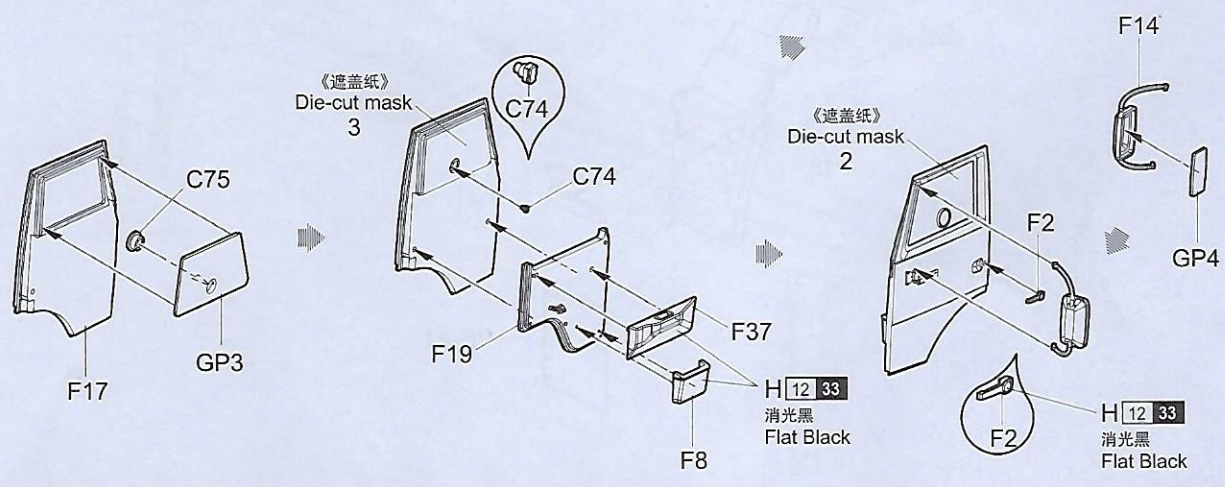
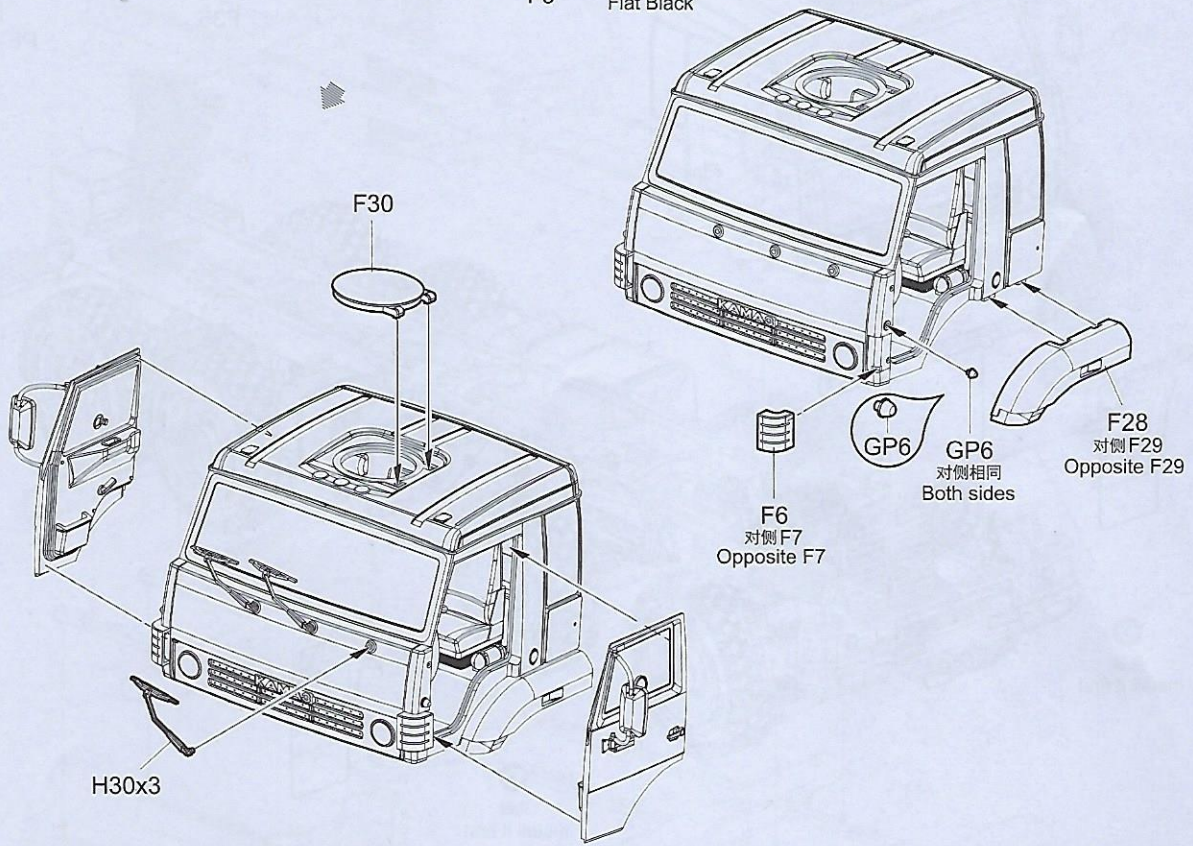
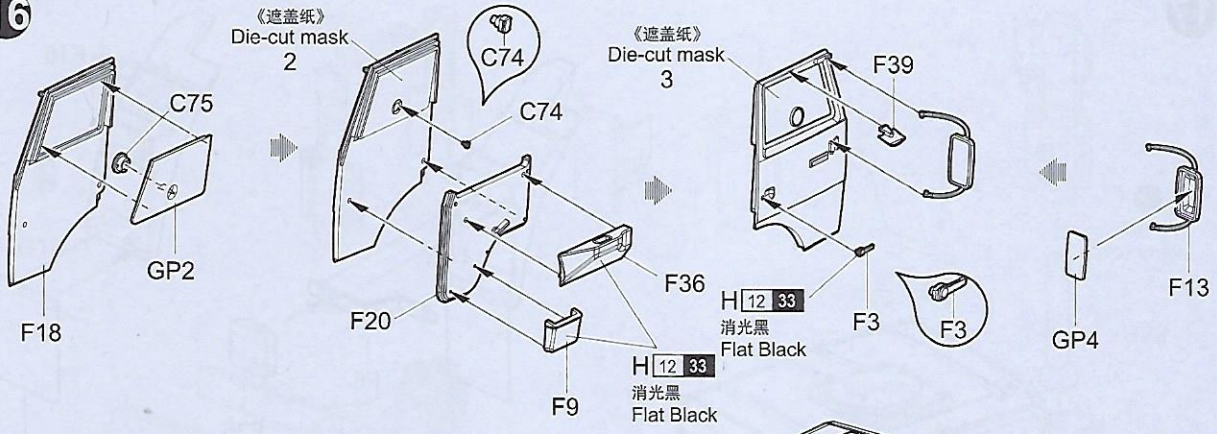
14



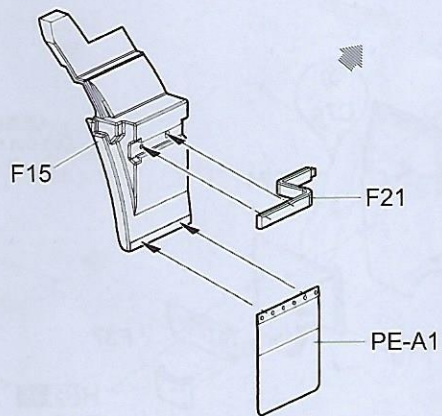
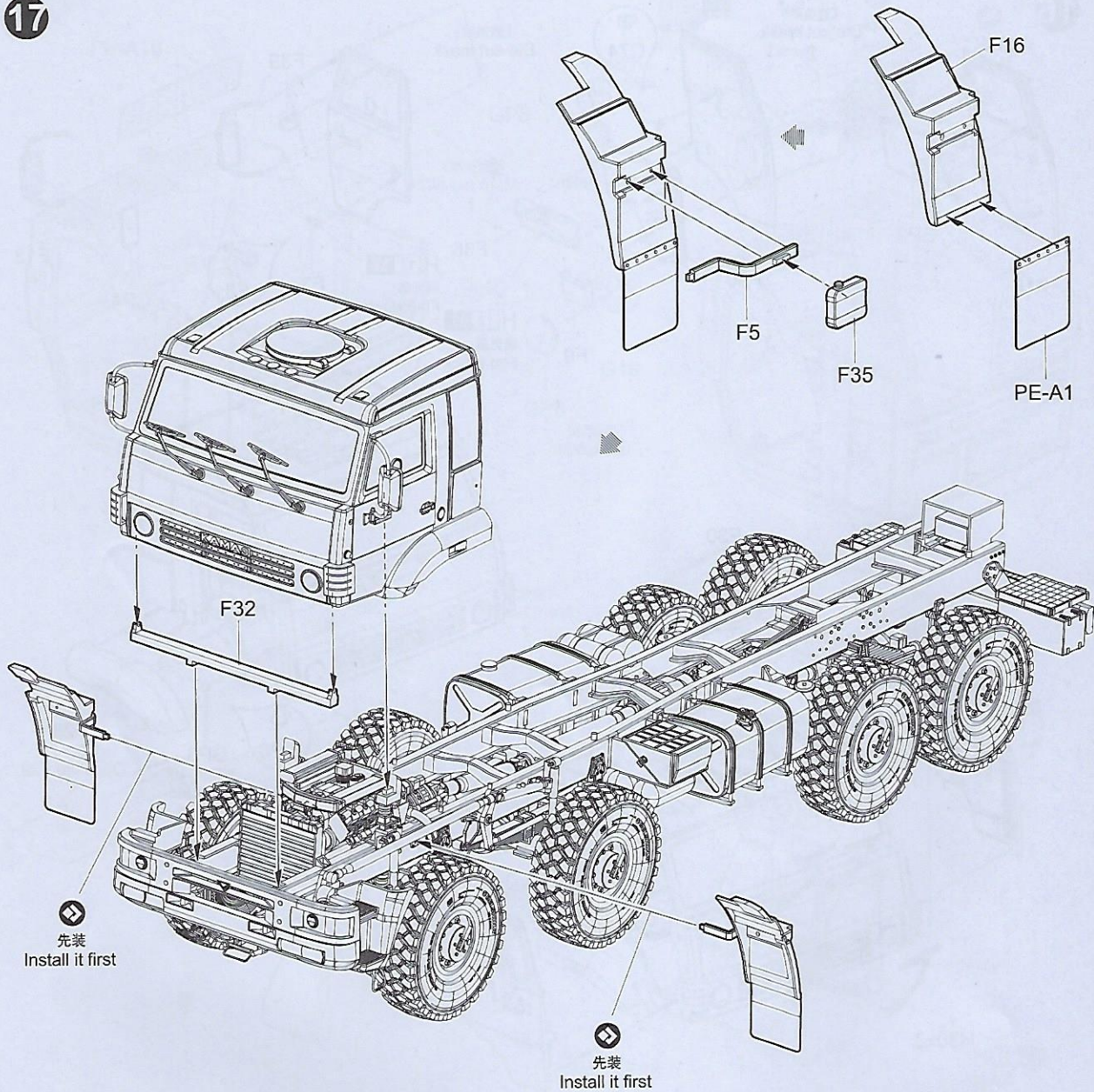
15



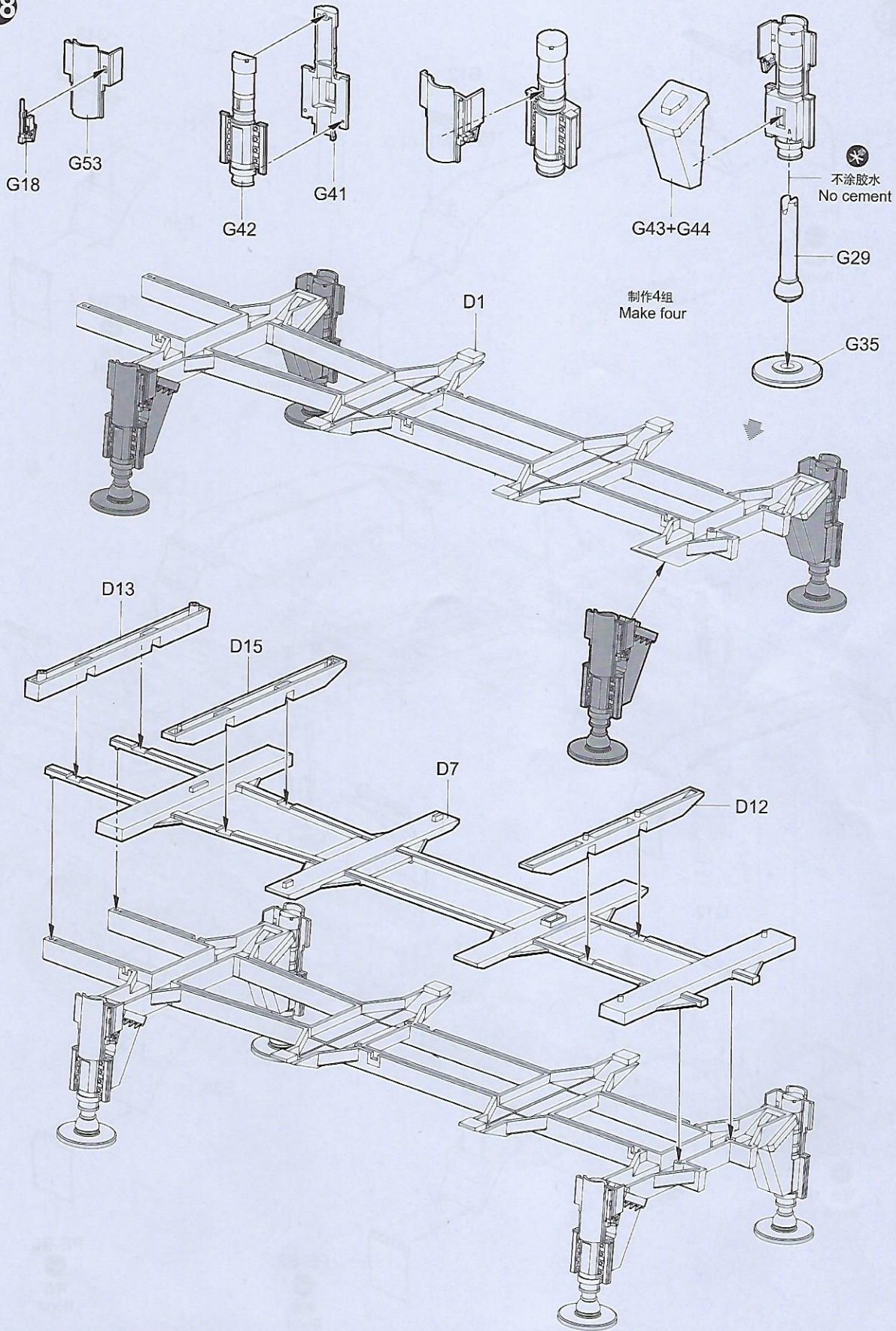
16



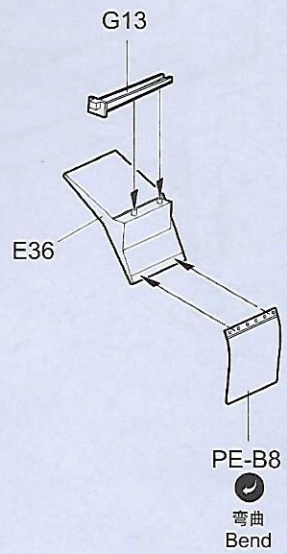
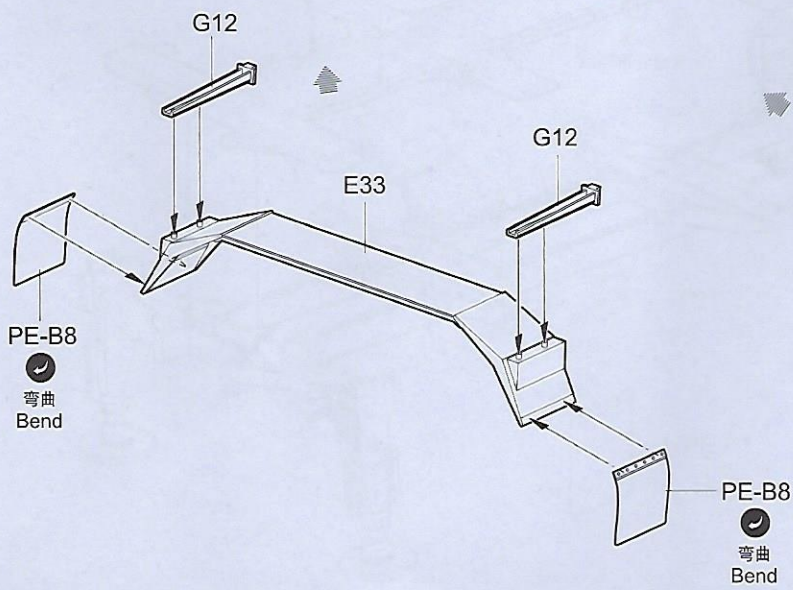
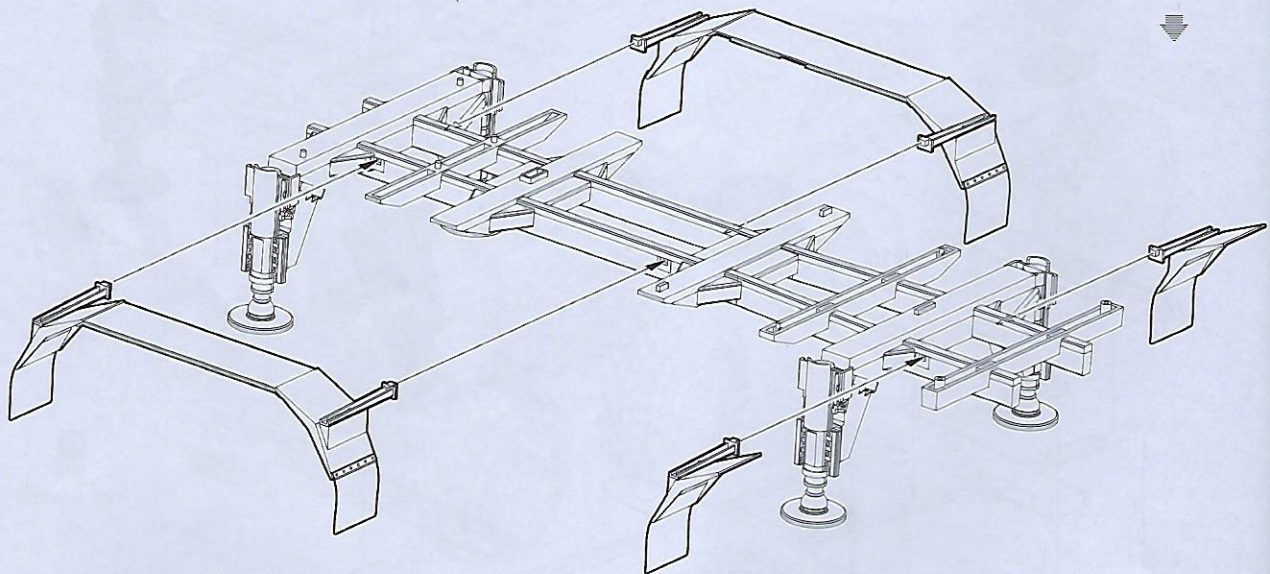
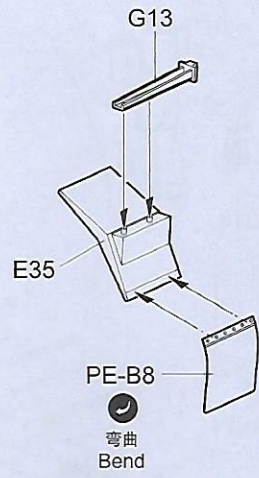
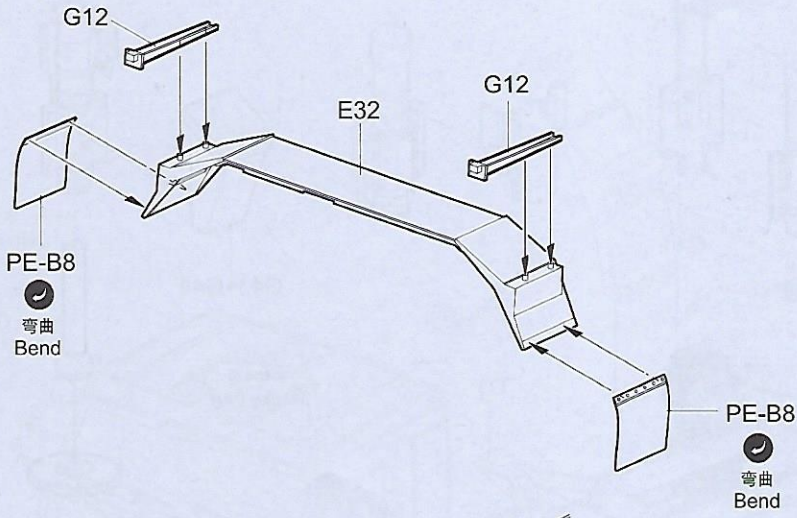
17

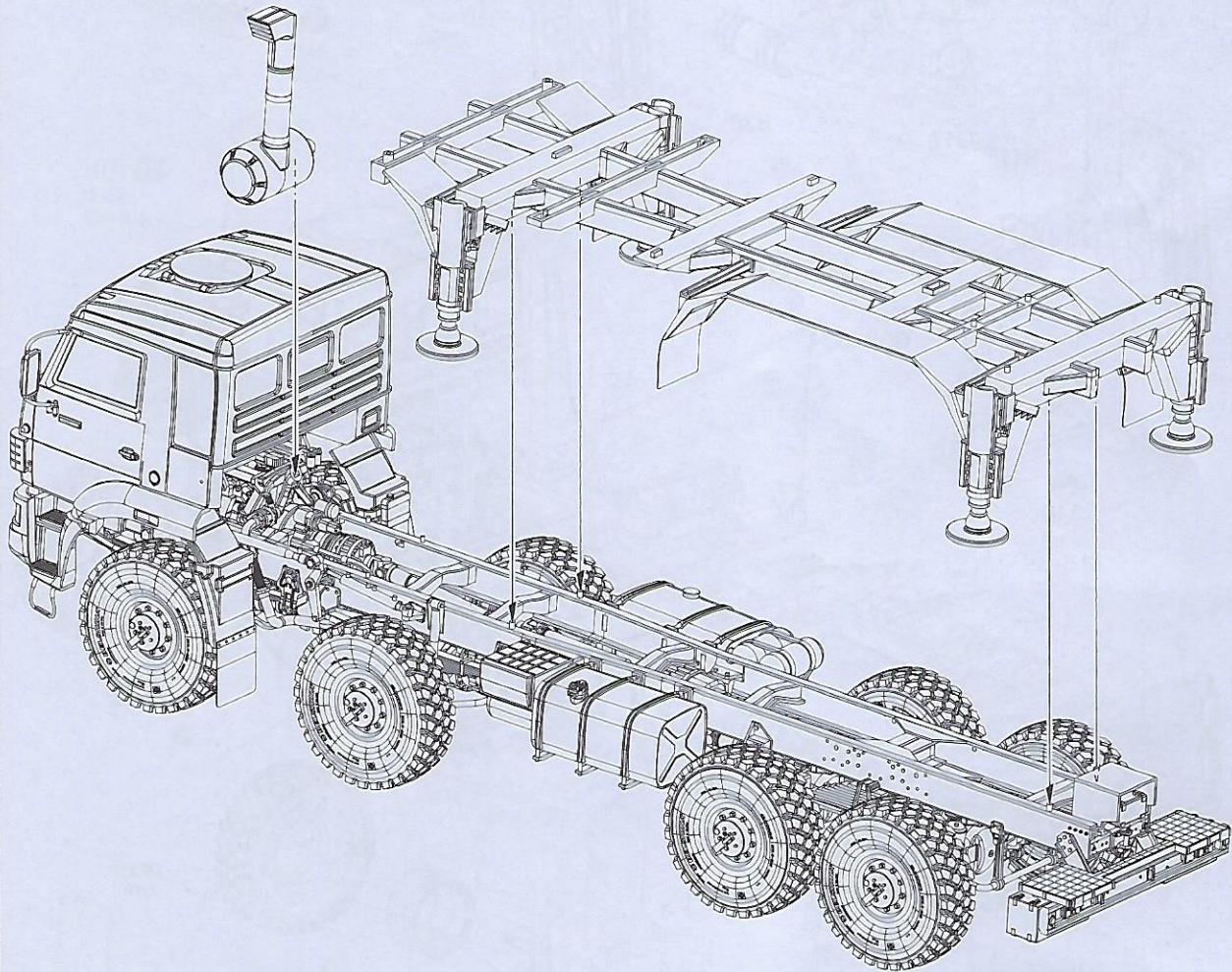
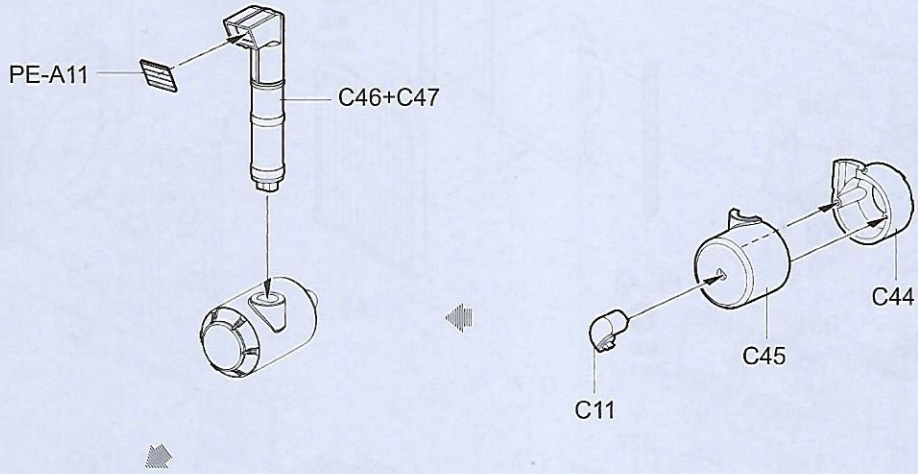


18

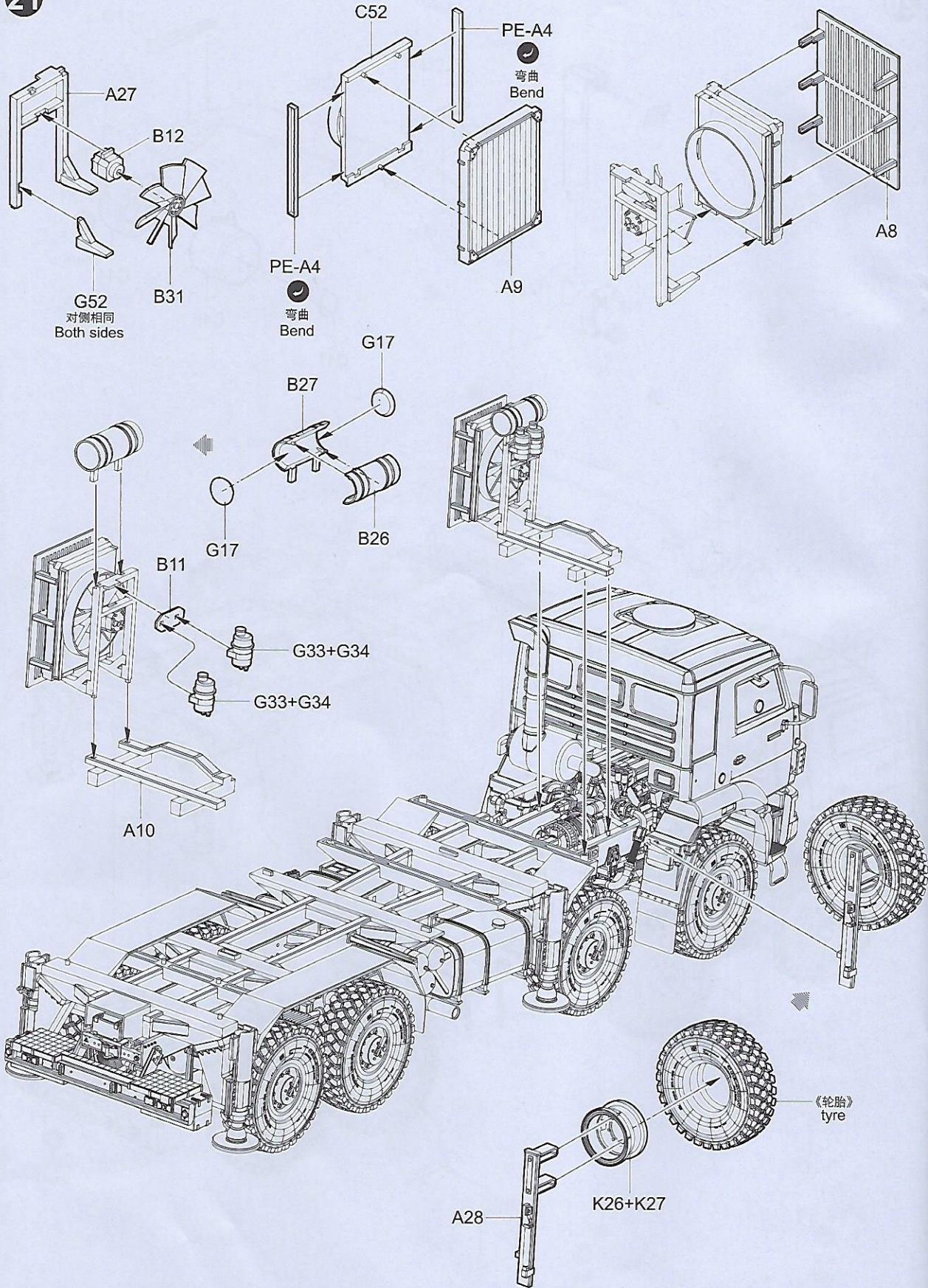


19



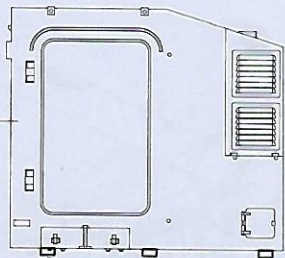


21

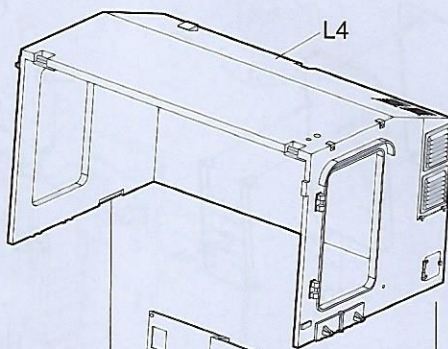


22

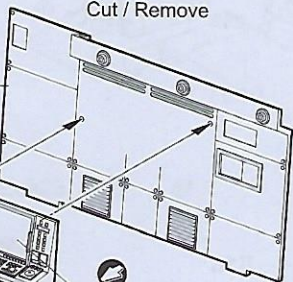
L4



切除
Cut / Remove



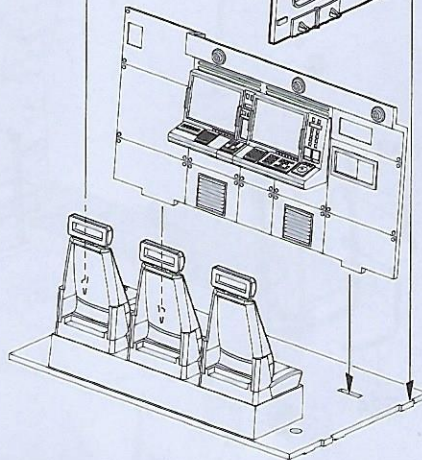
D14



贴纸
Decal
5

D3

贴纸
Decal
6



H 12 33
消光黑
Flat Black

H27x3

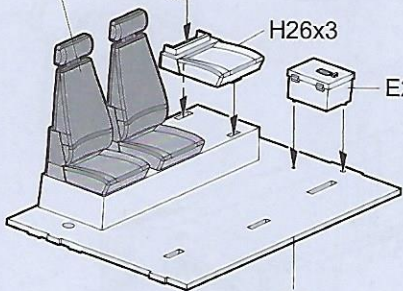


H26x3



E25

D8



D9



D5

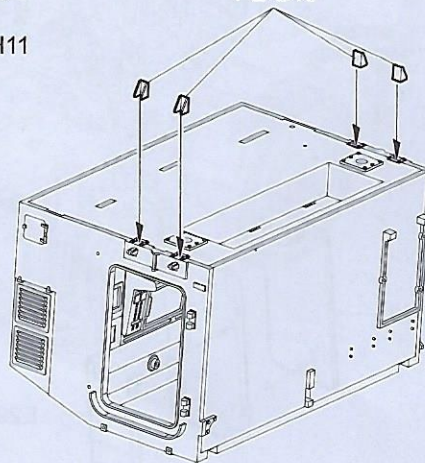
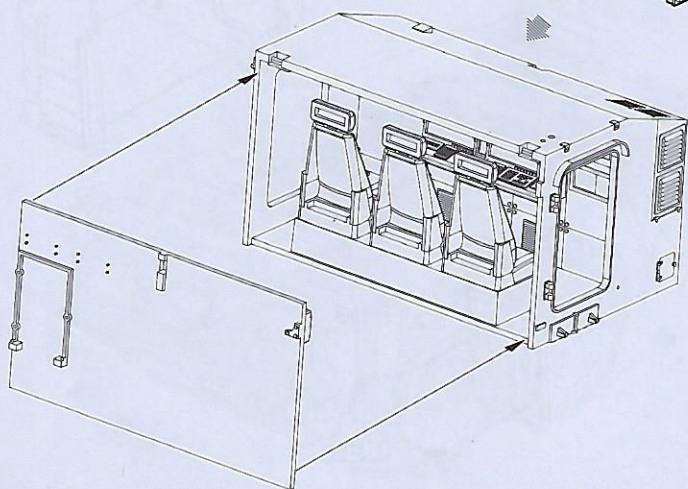
H11

D4

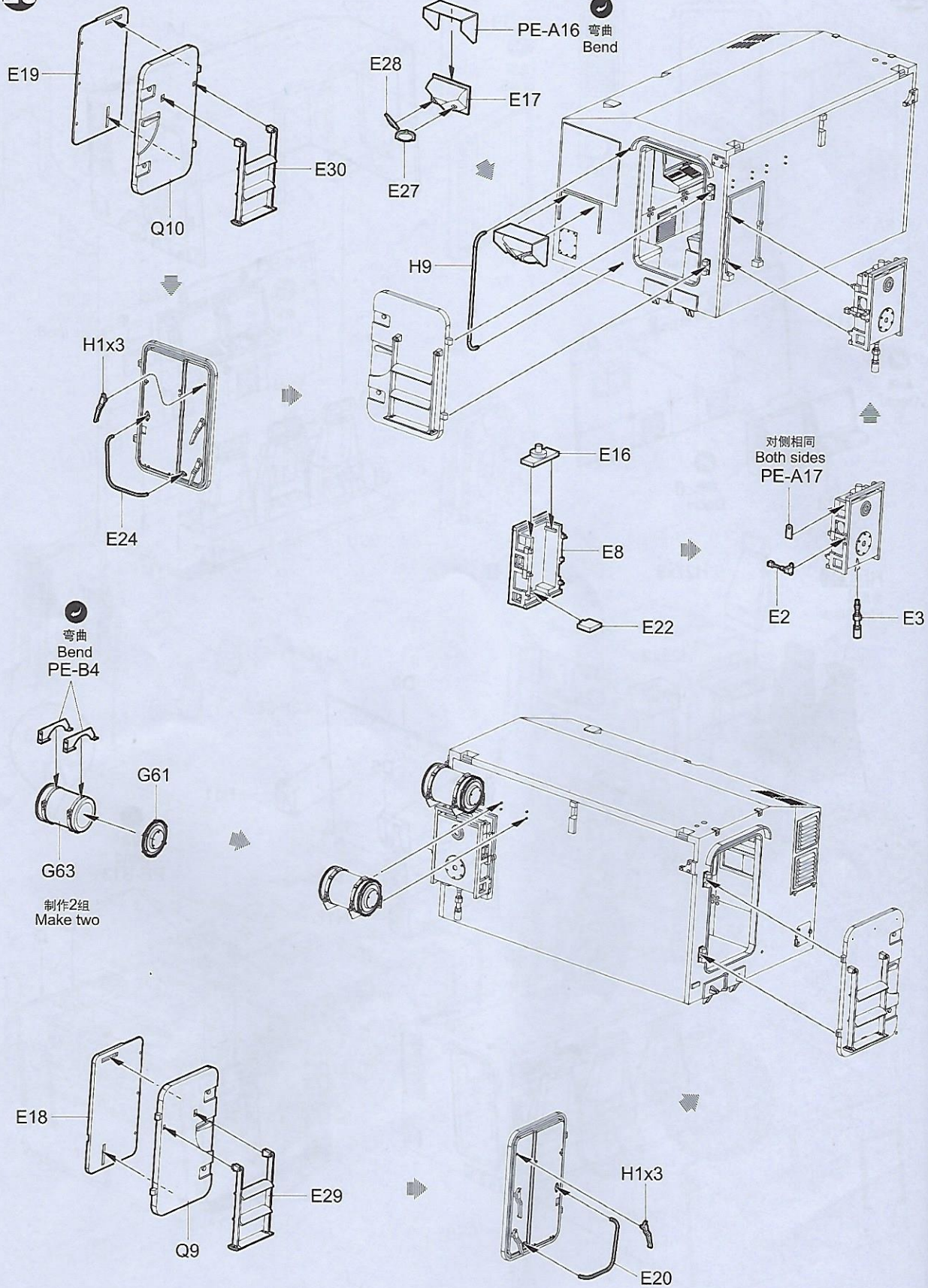
H11

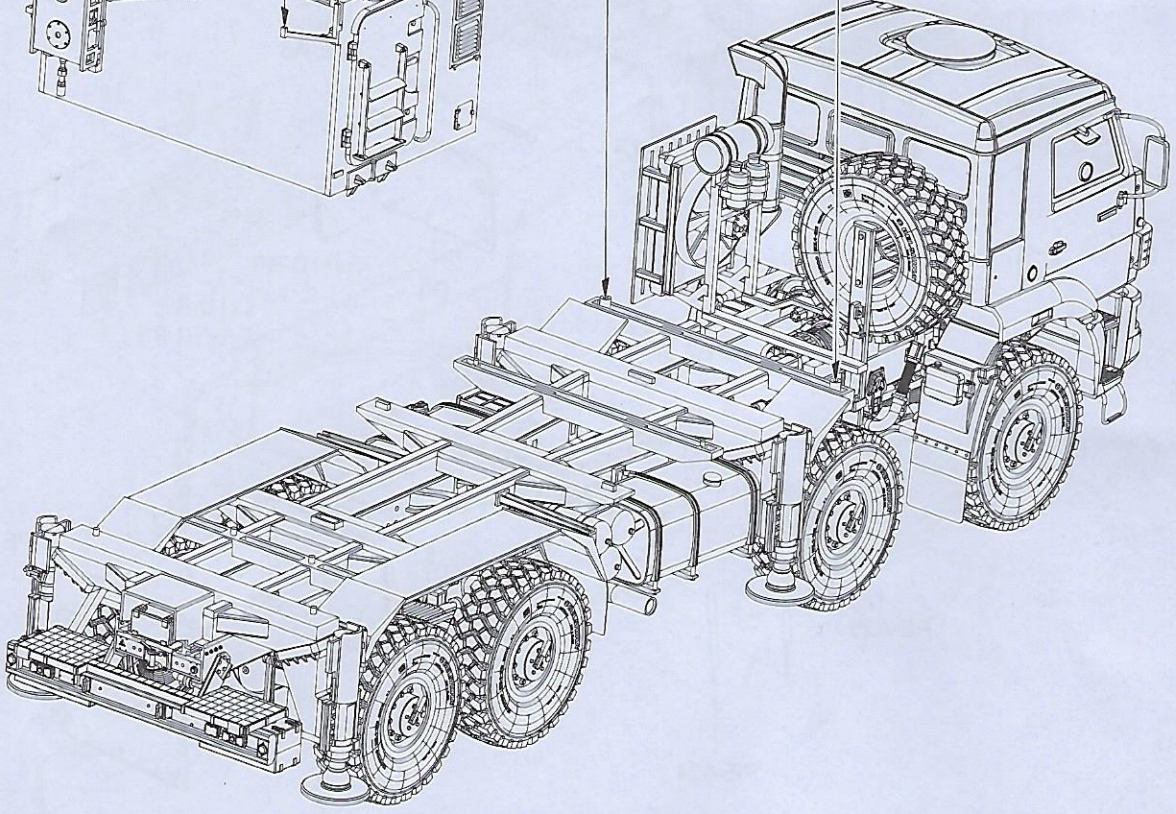
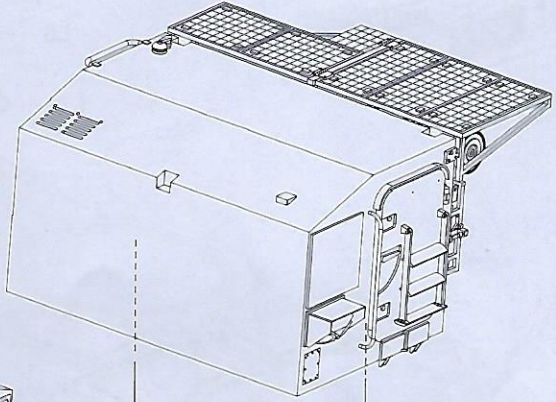
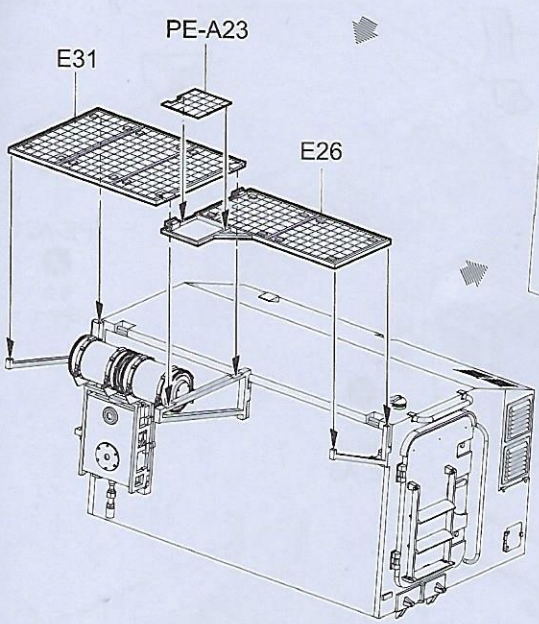
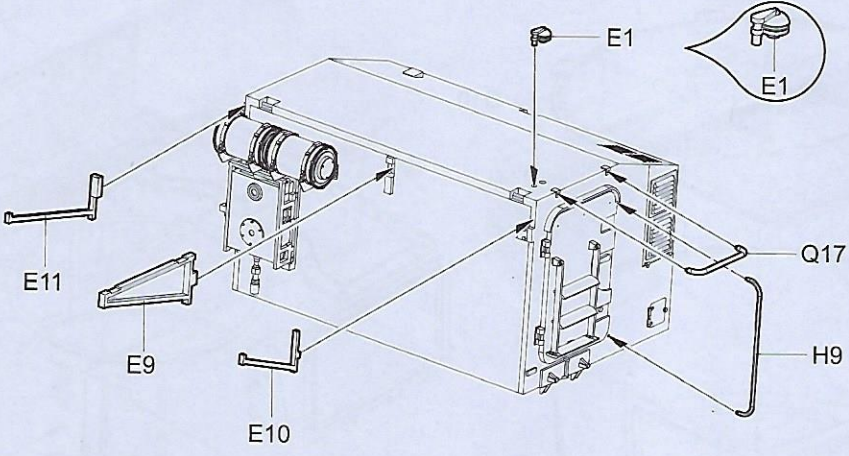
PE-B13

弯曲
Bend
PE-B13

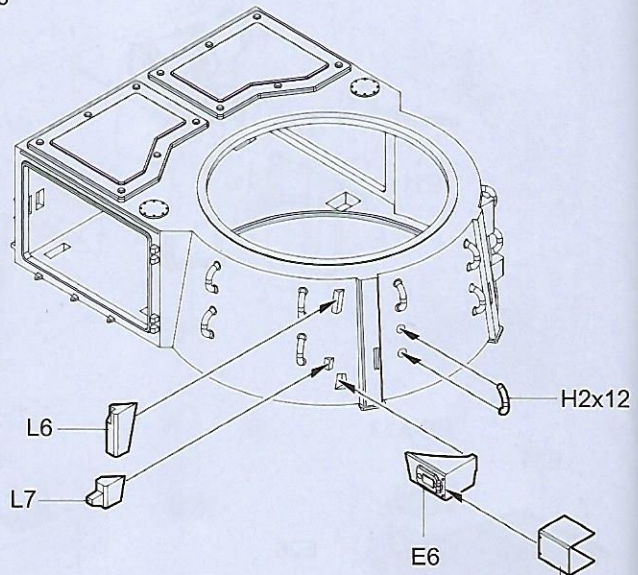
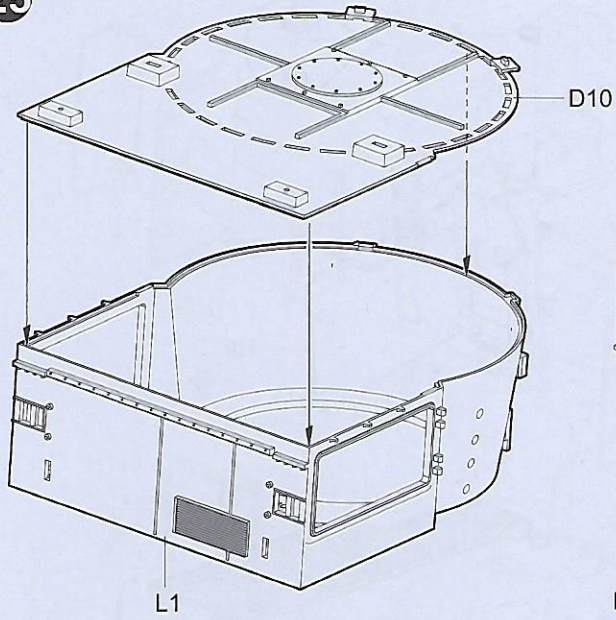


23

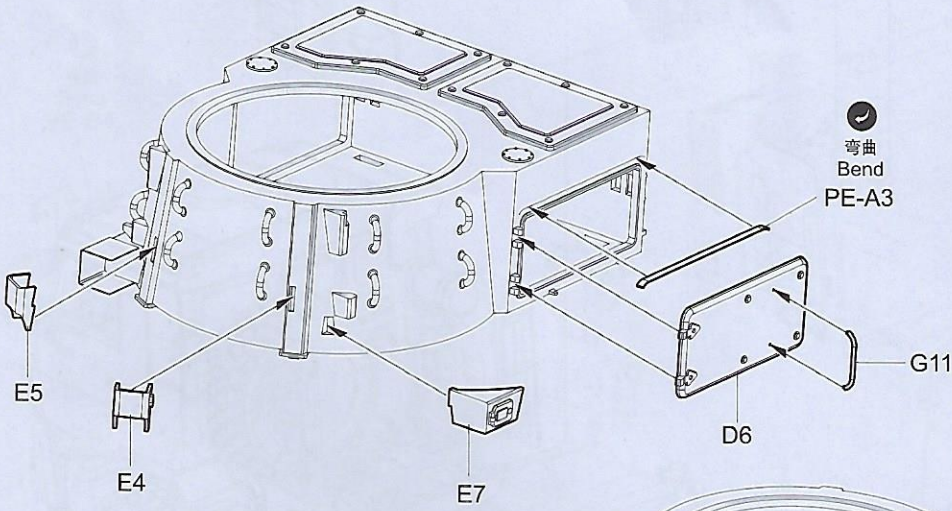




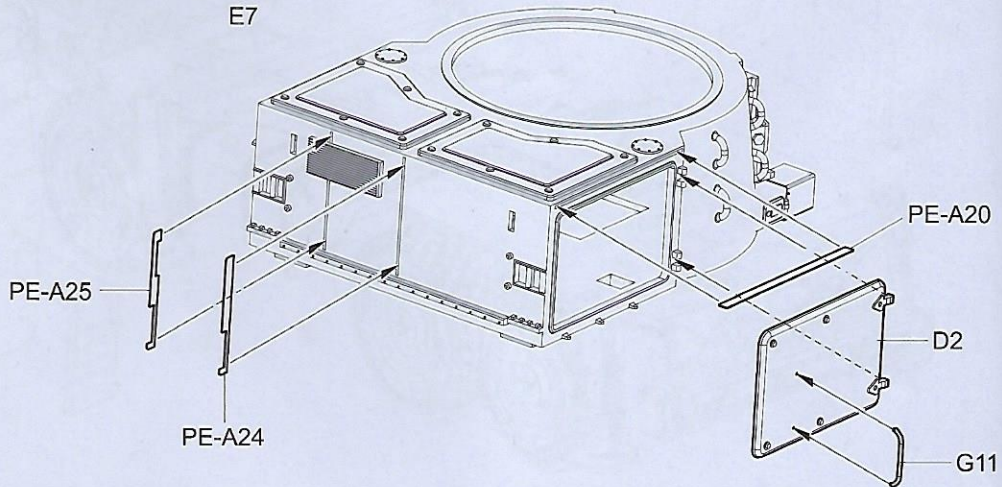
25



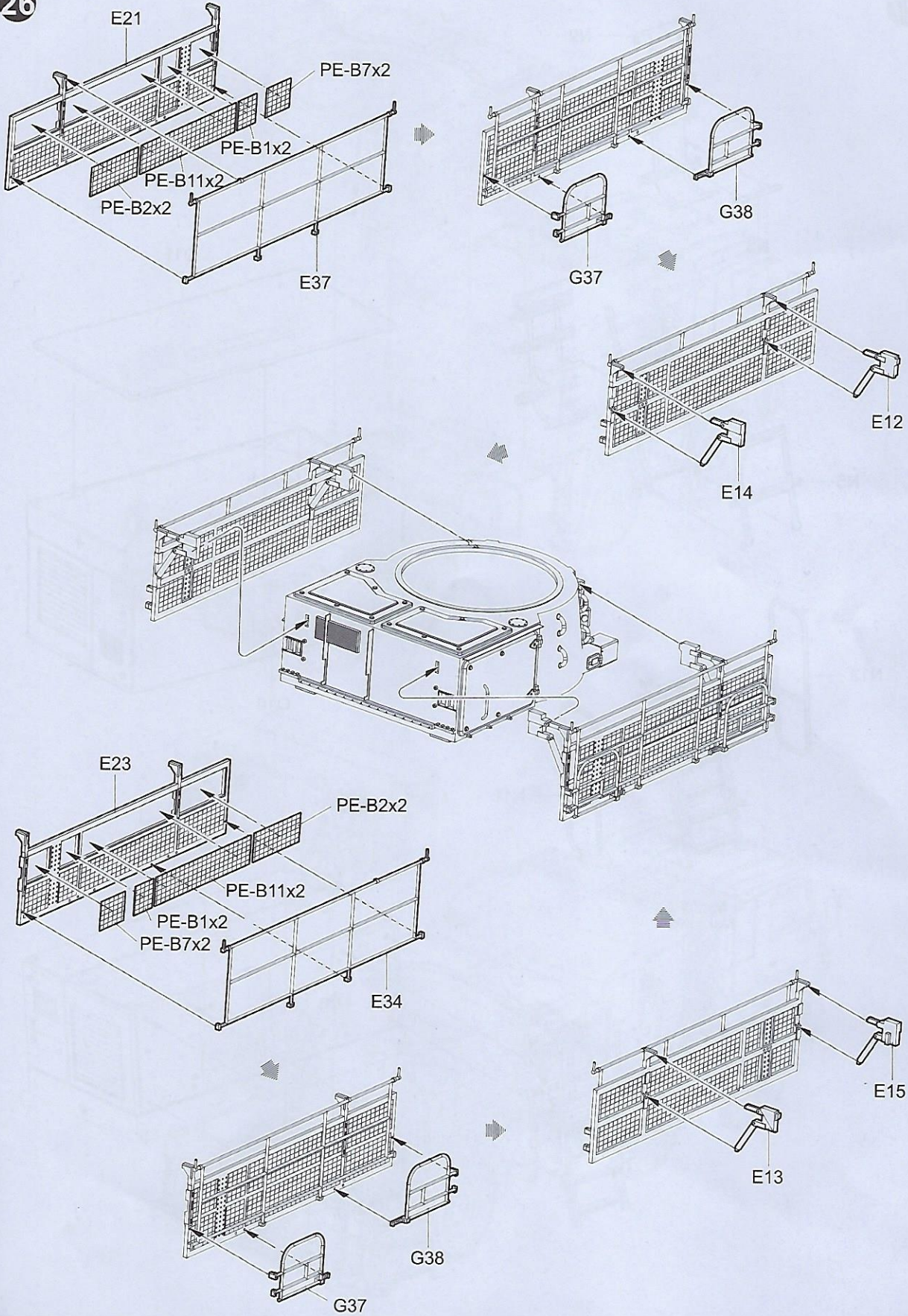
PE-A21
弯曲
Bend

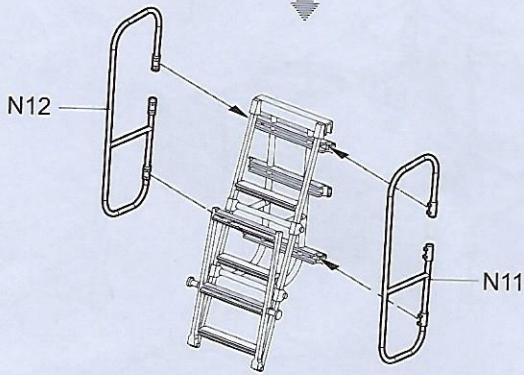
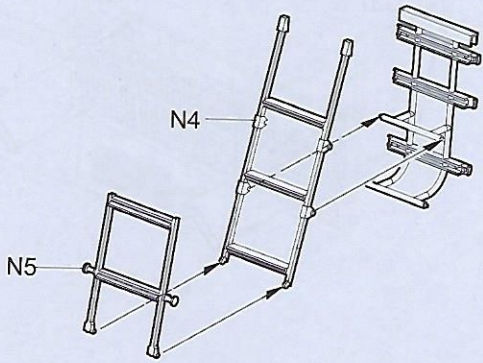
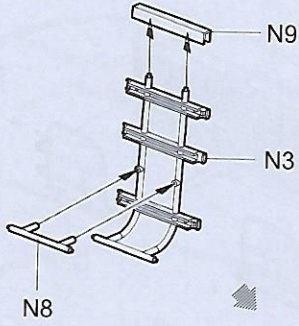


弯曲
Bend
PE-A3

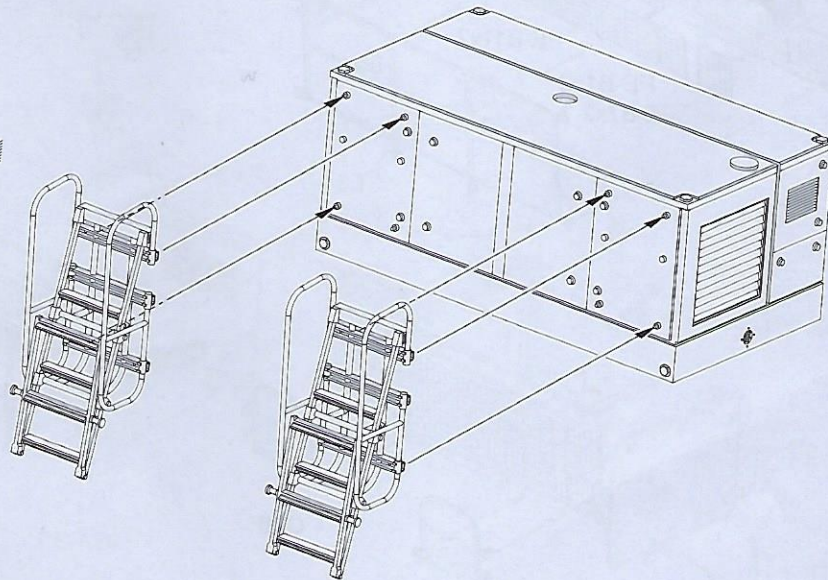
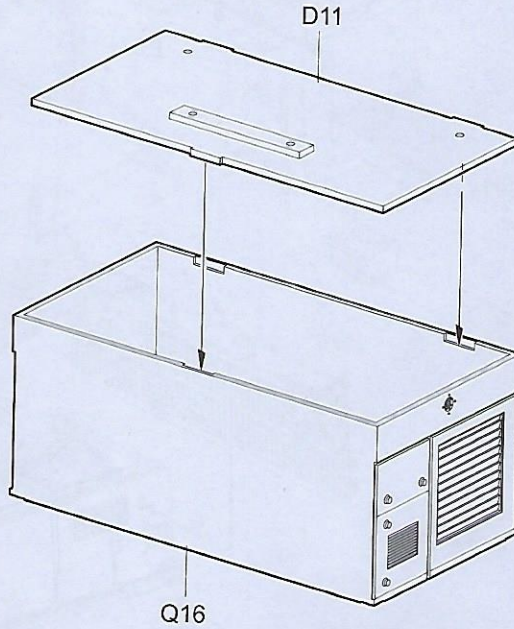


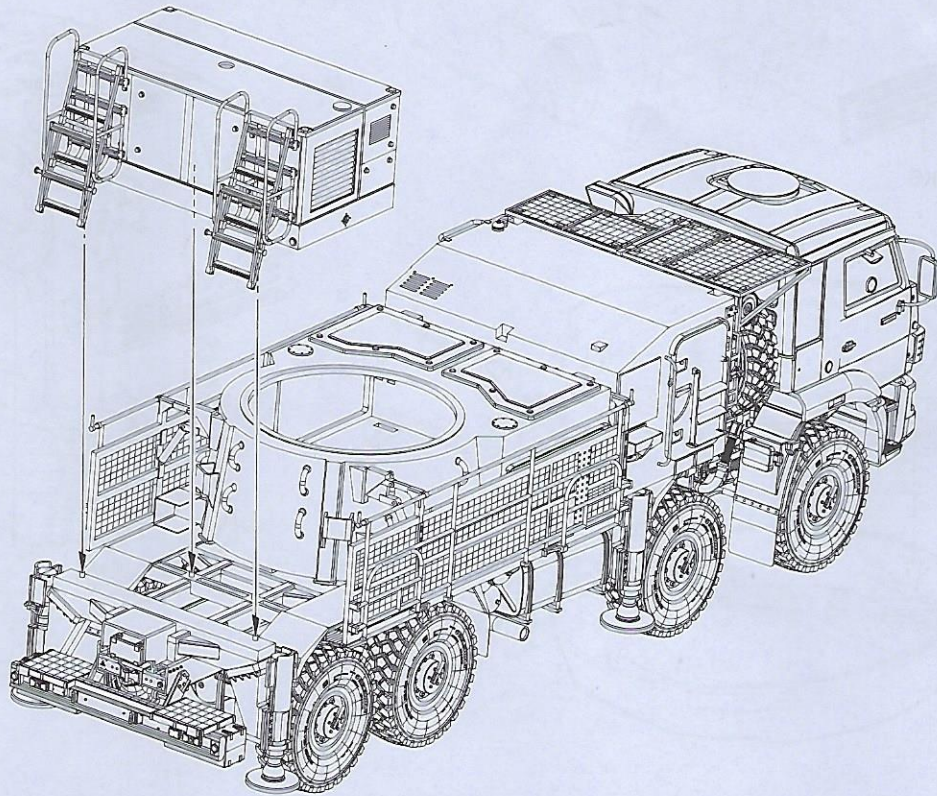
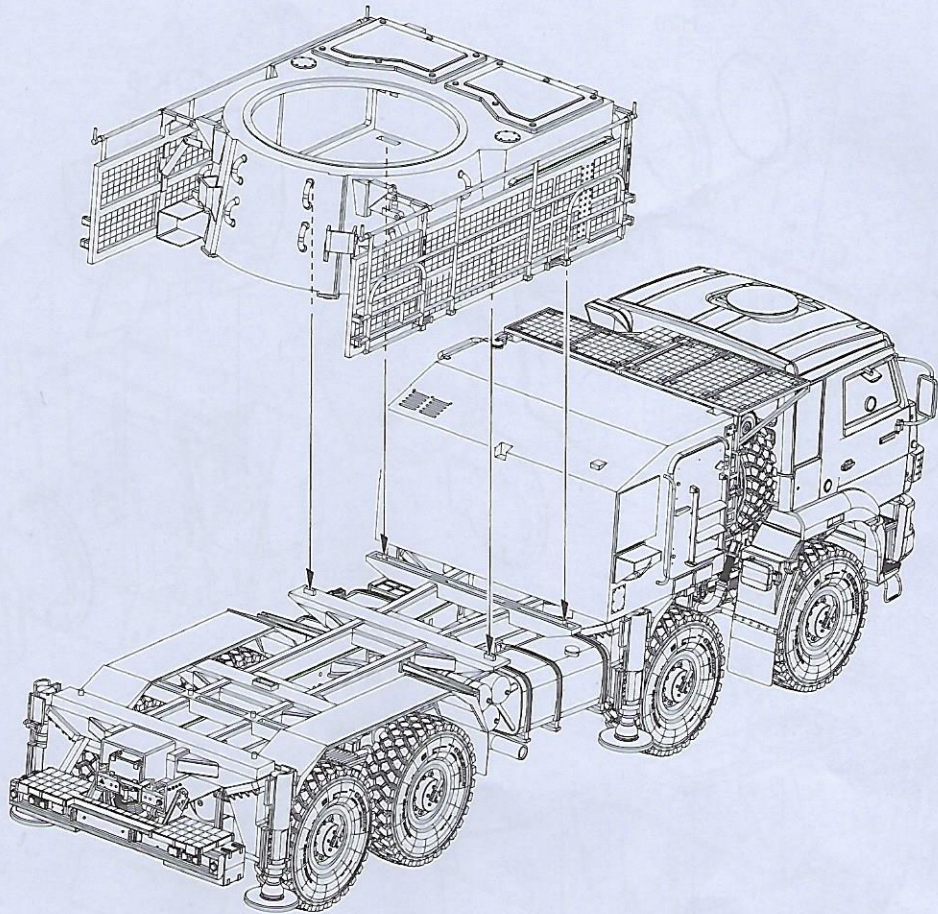
26



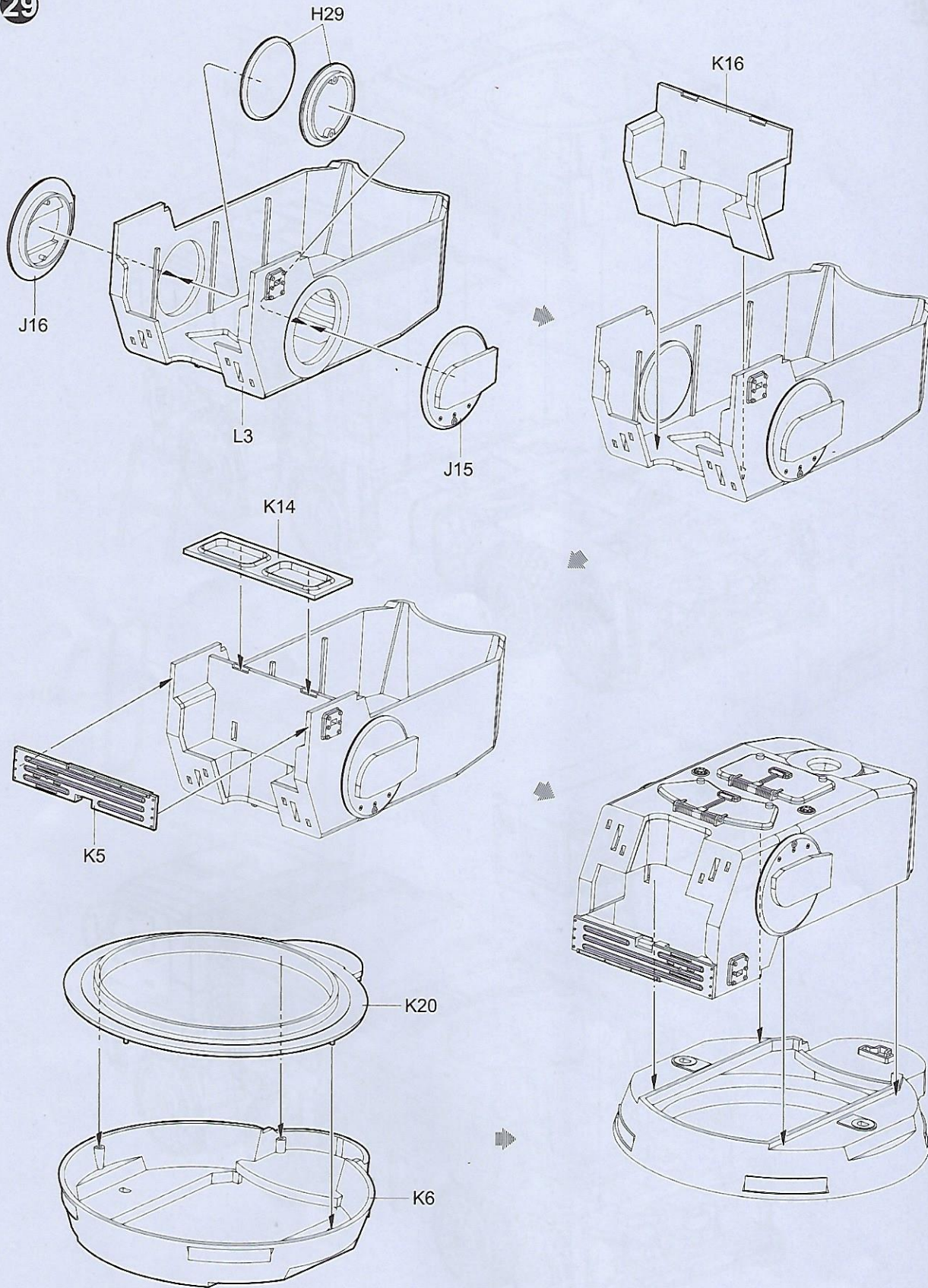


制作2组
Make two

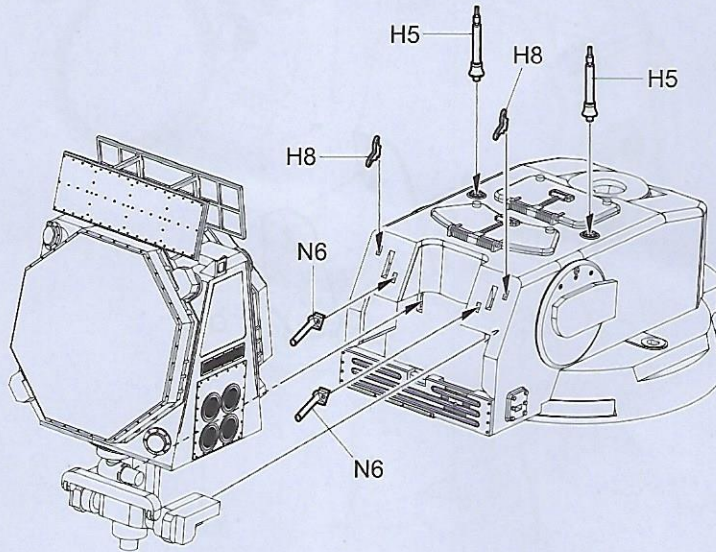
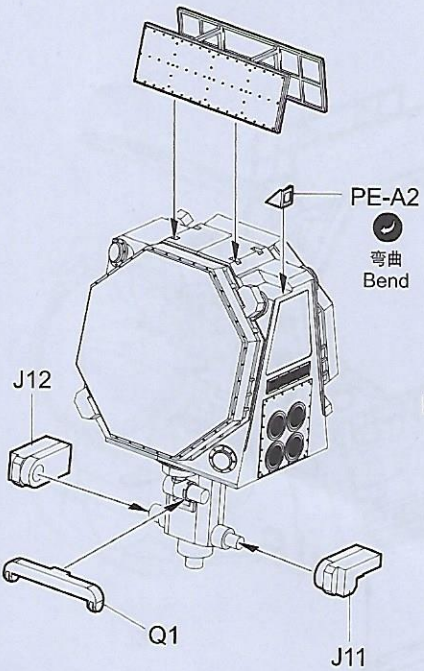
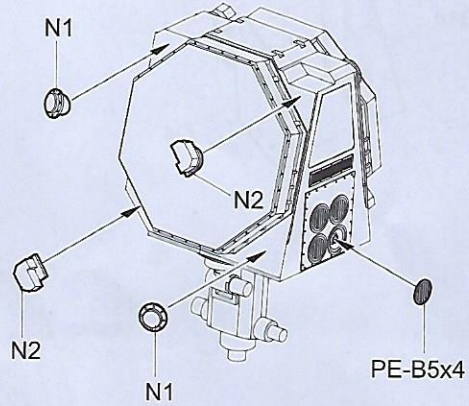
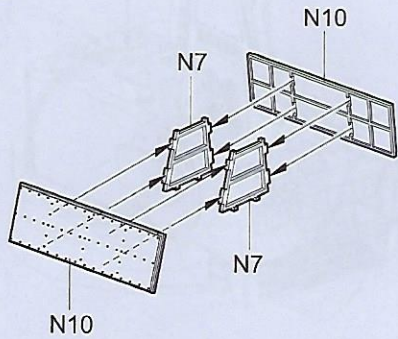
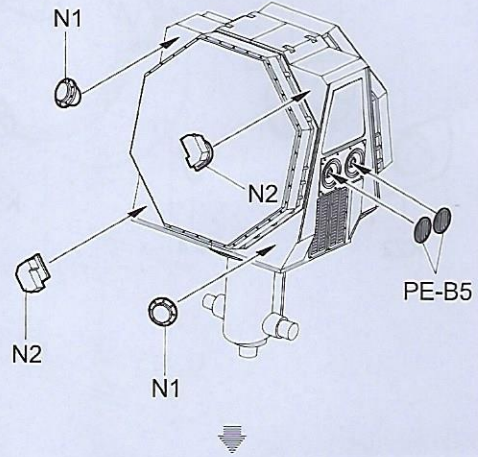
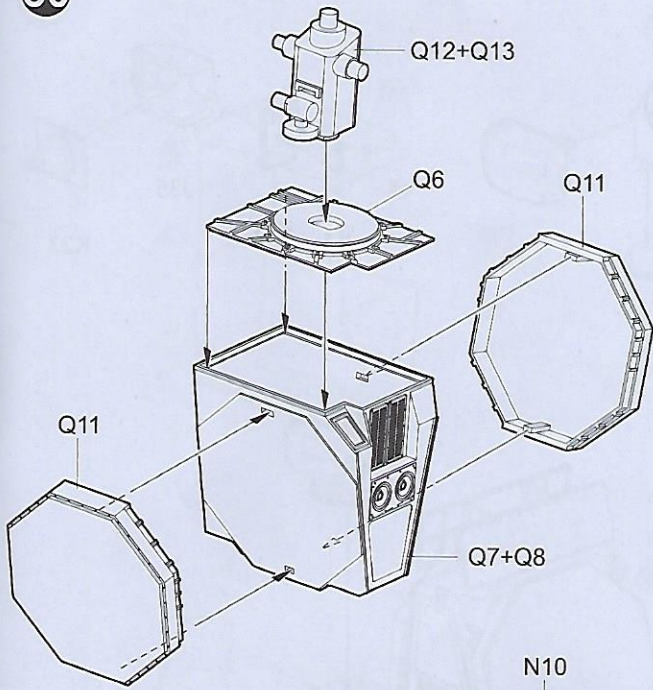




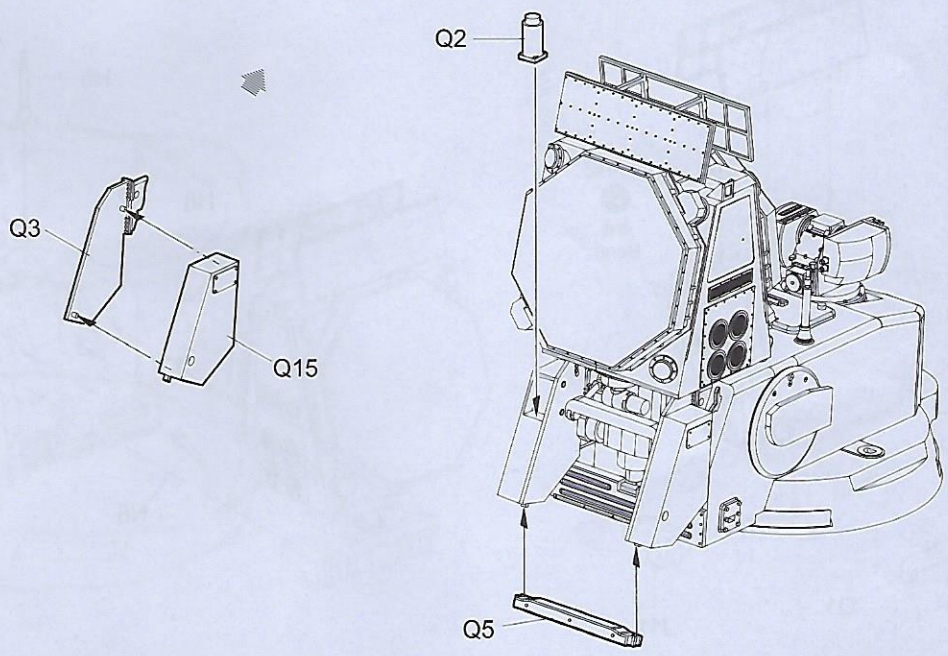
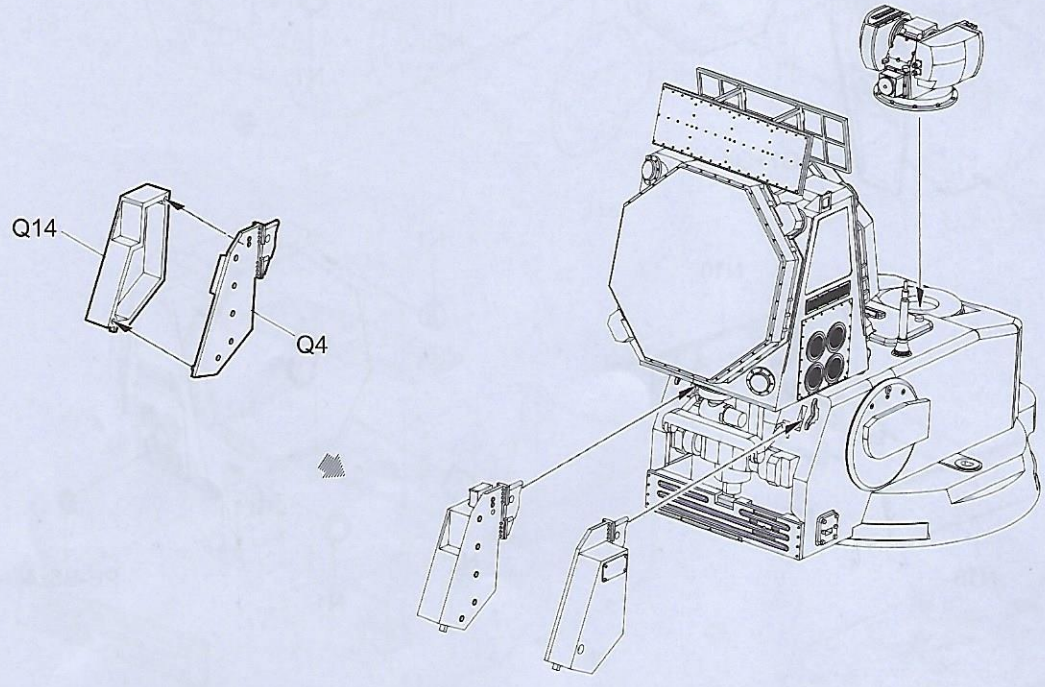
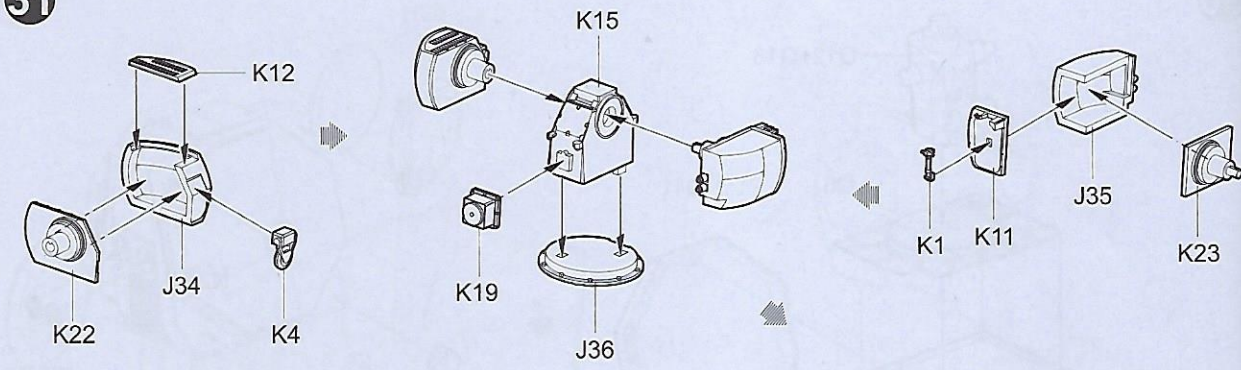
29

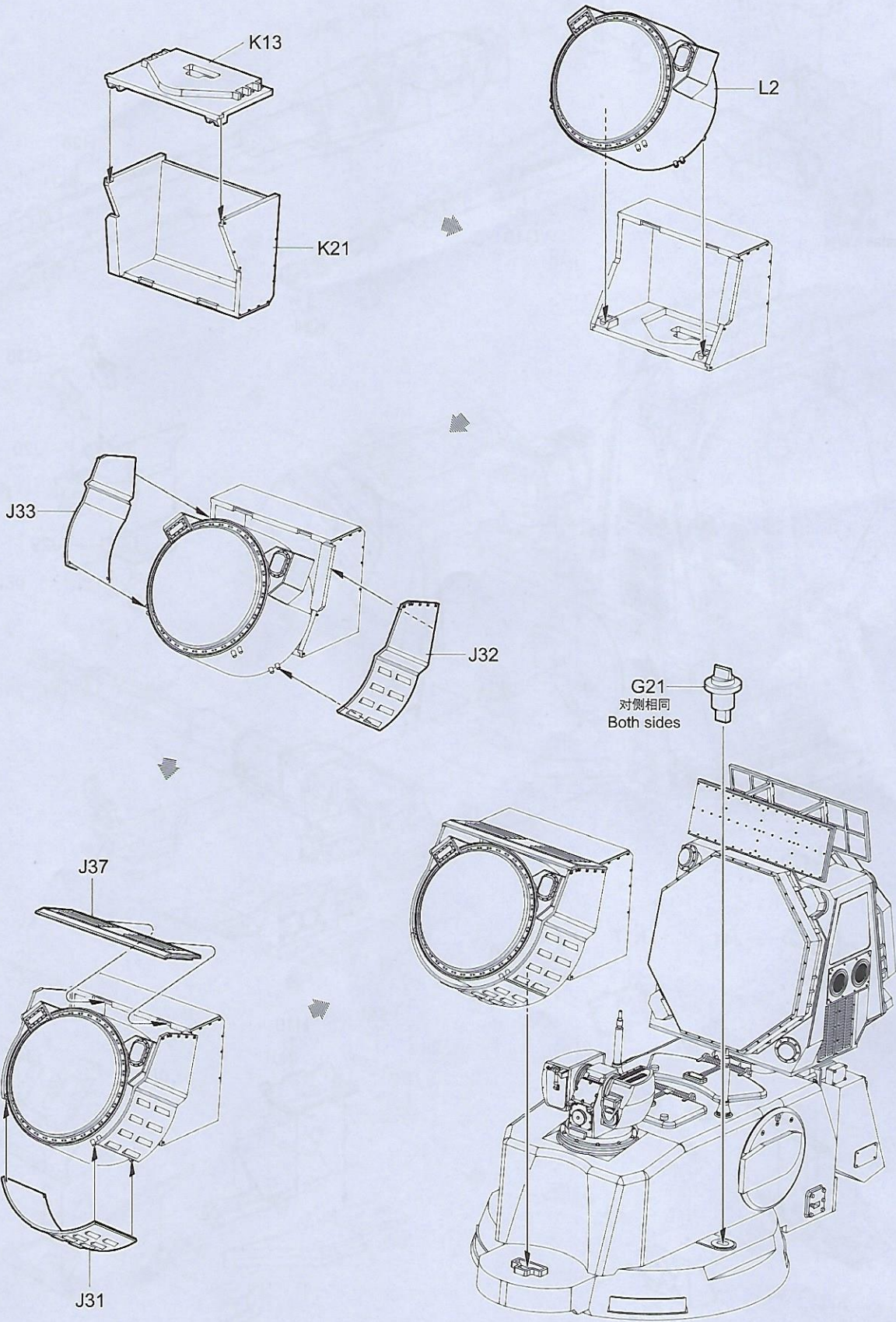


30

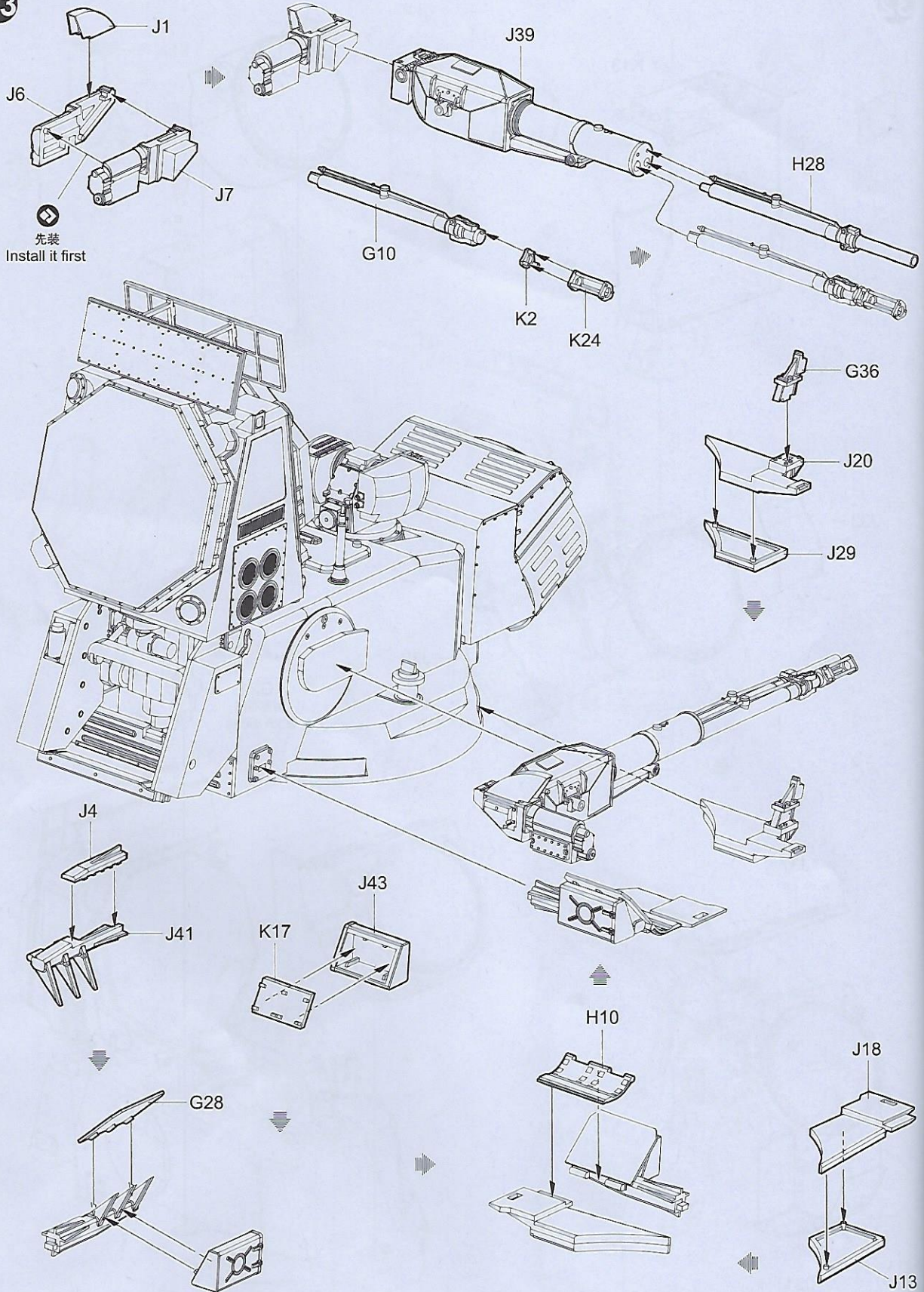


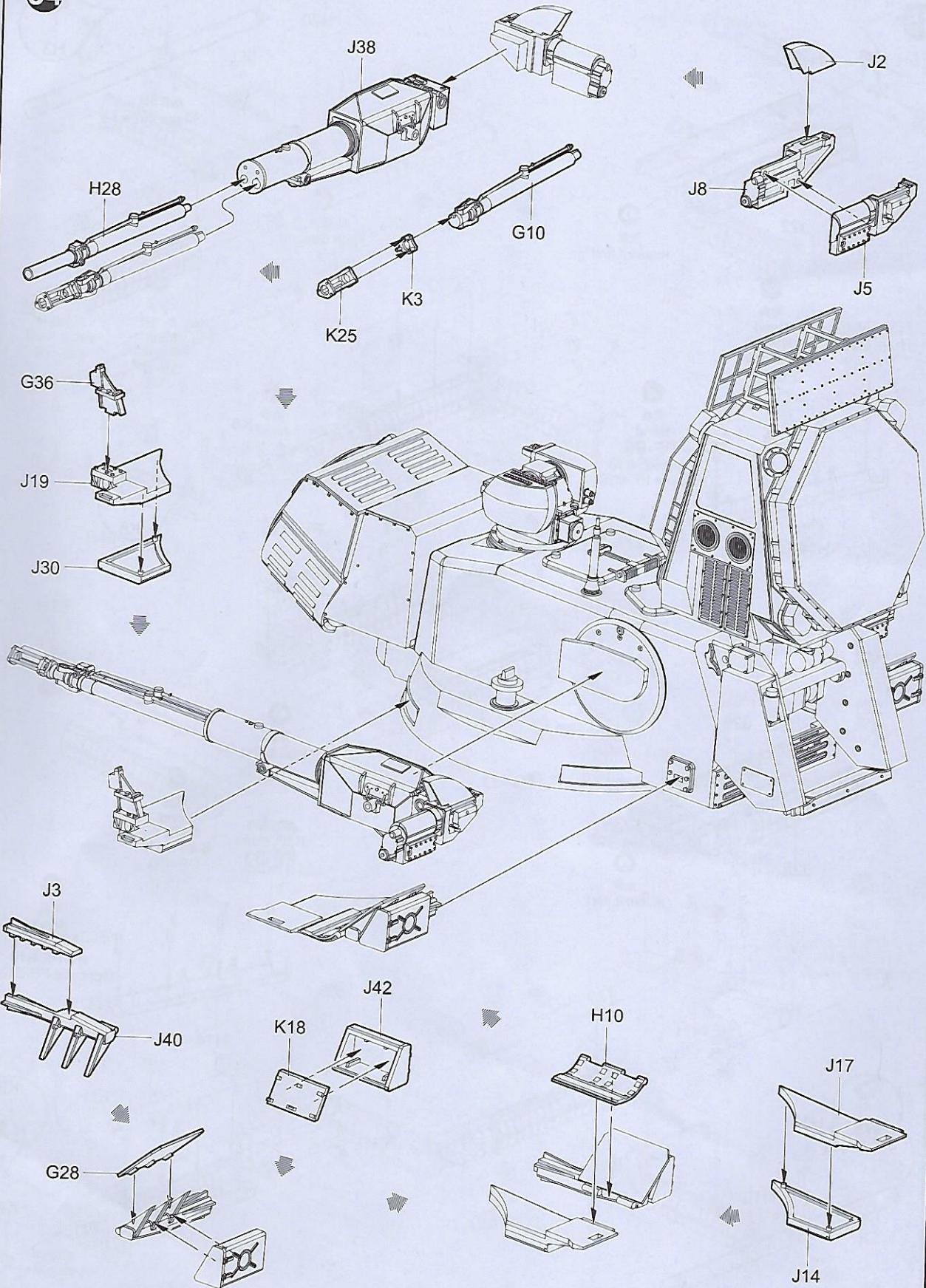
31



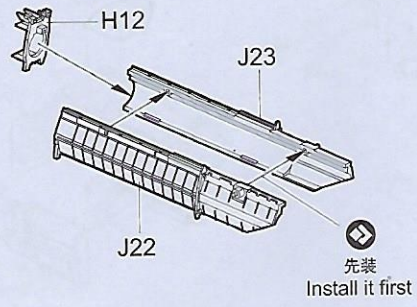


33



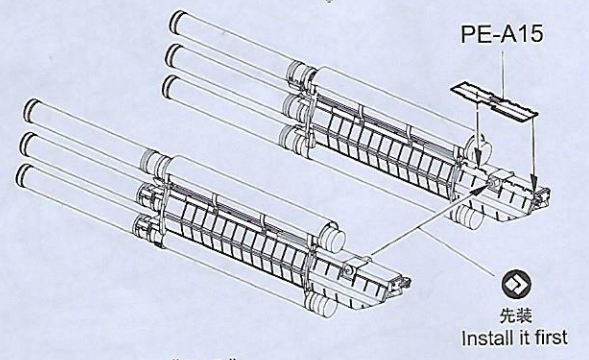
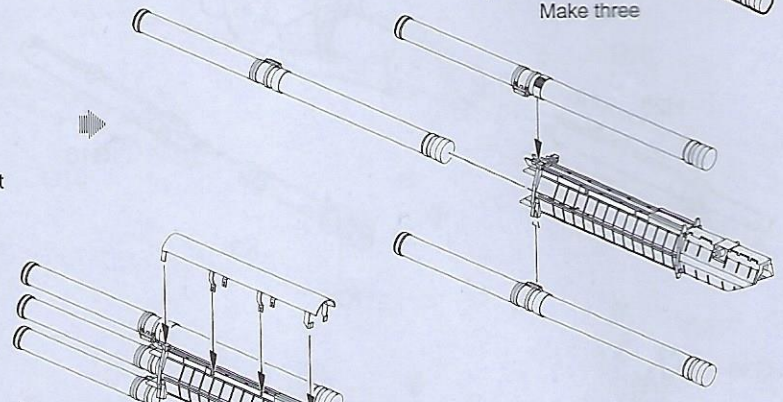
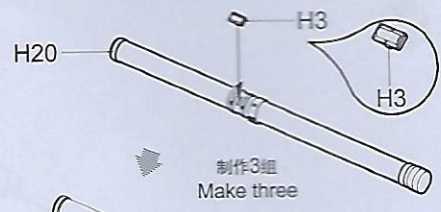
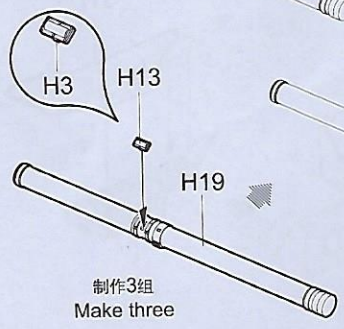
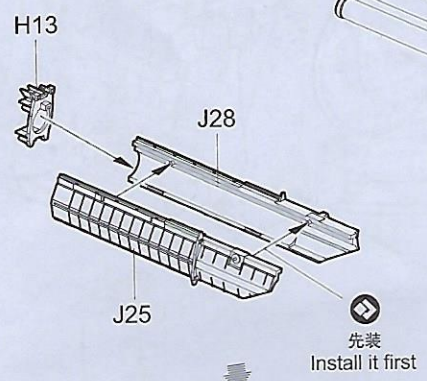
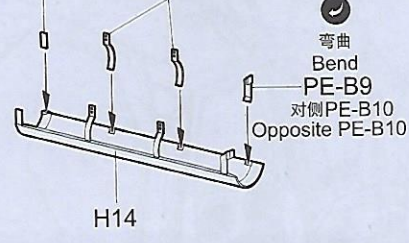


35

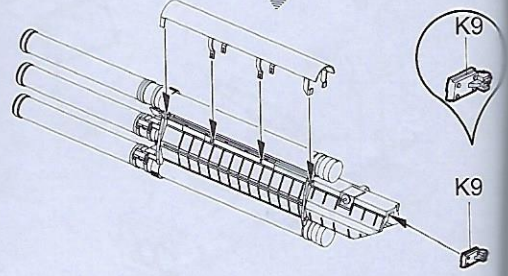
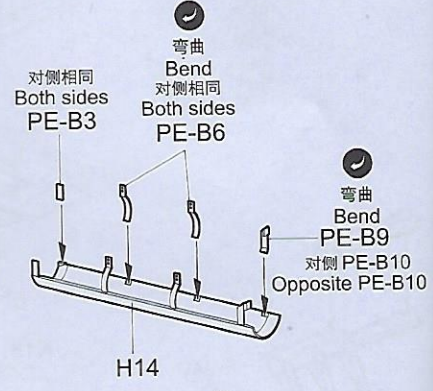


对侧相同
Both sides
PE-B3

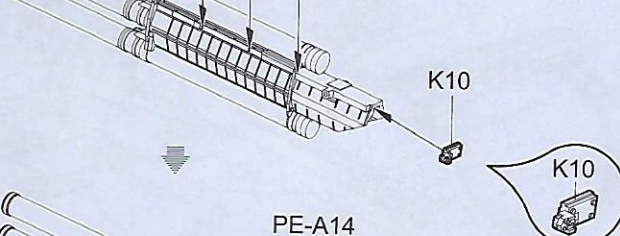
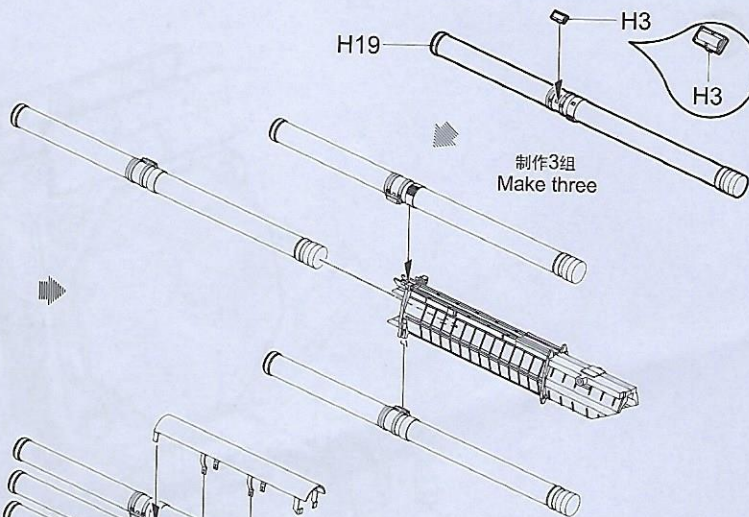
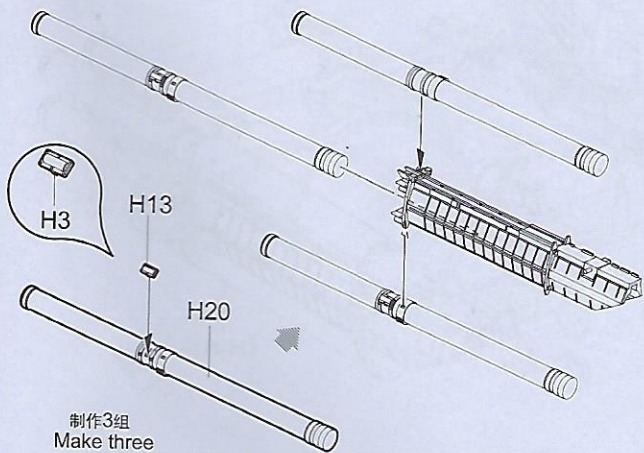
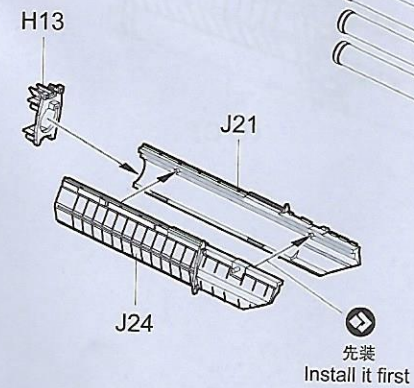
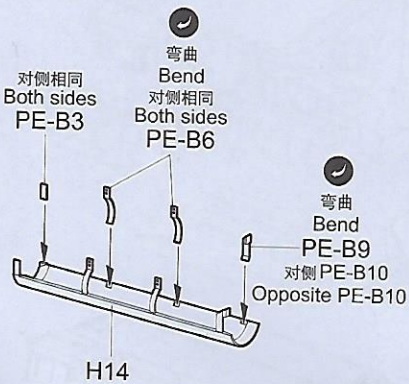
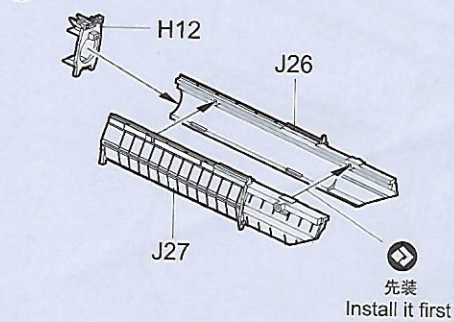
弯曲
Bend
对侧相同
Both sides
PE-B6



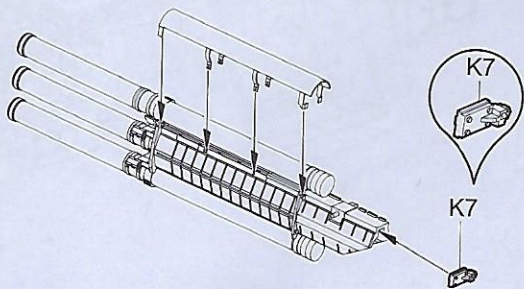
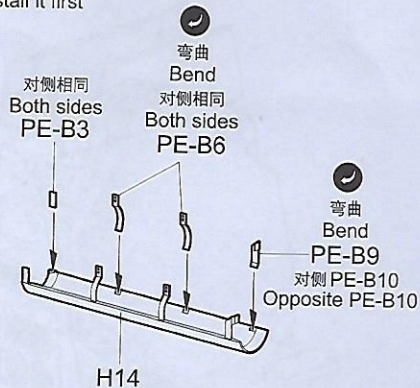
《G-G》



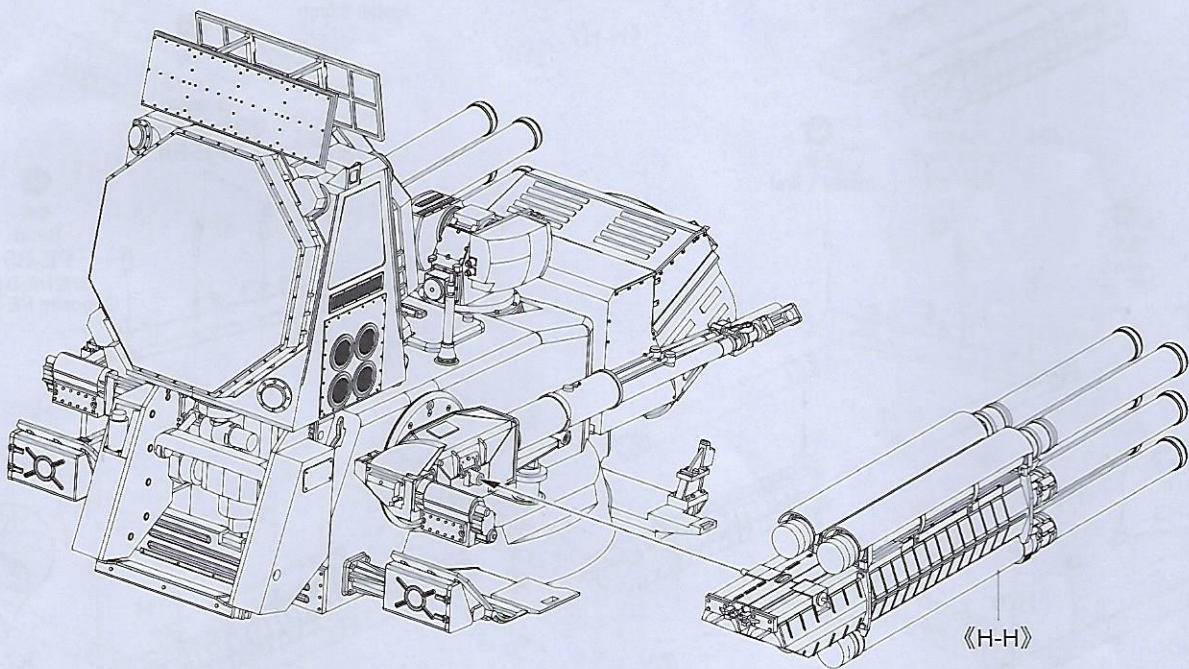
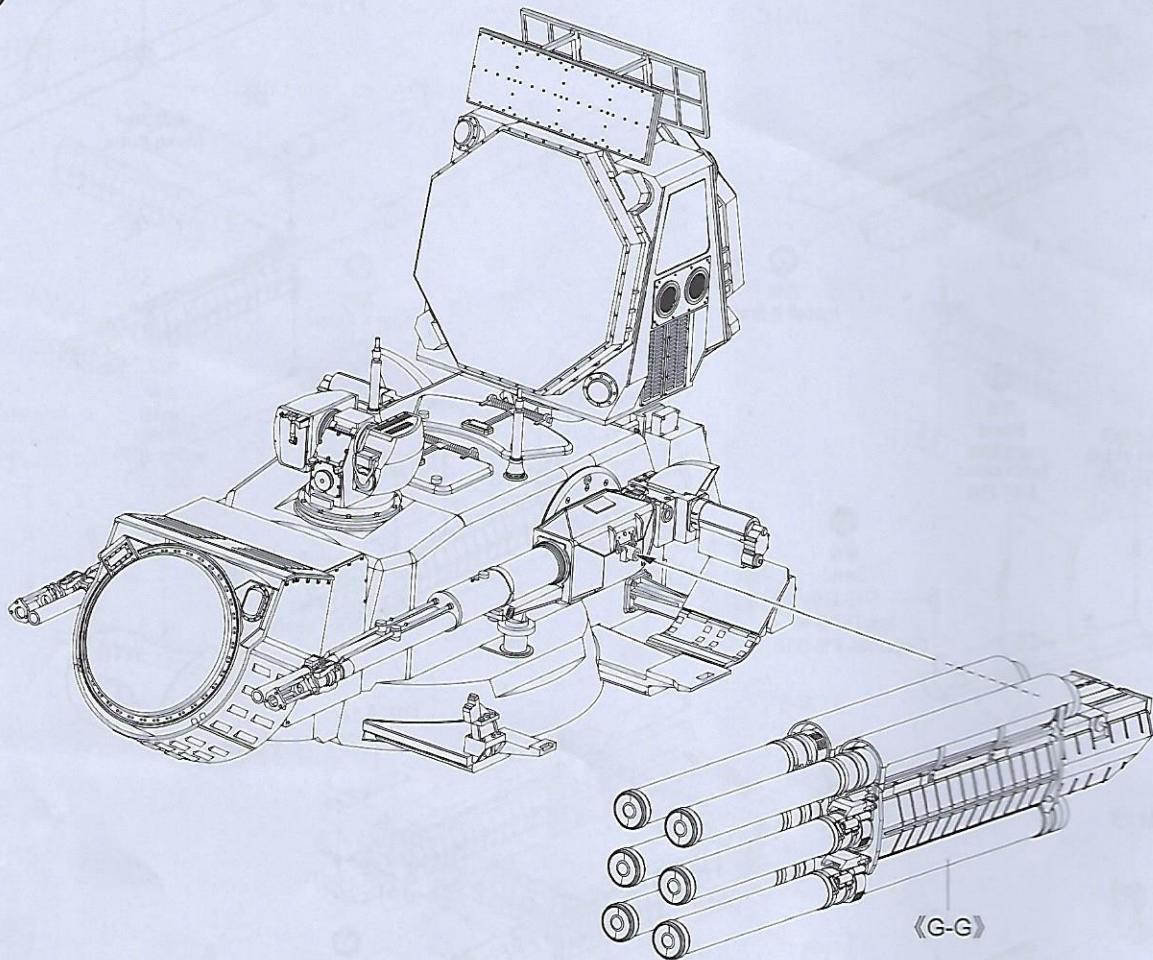
36

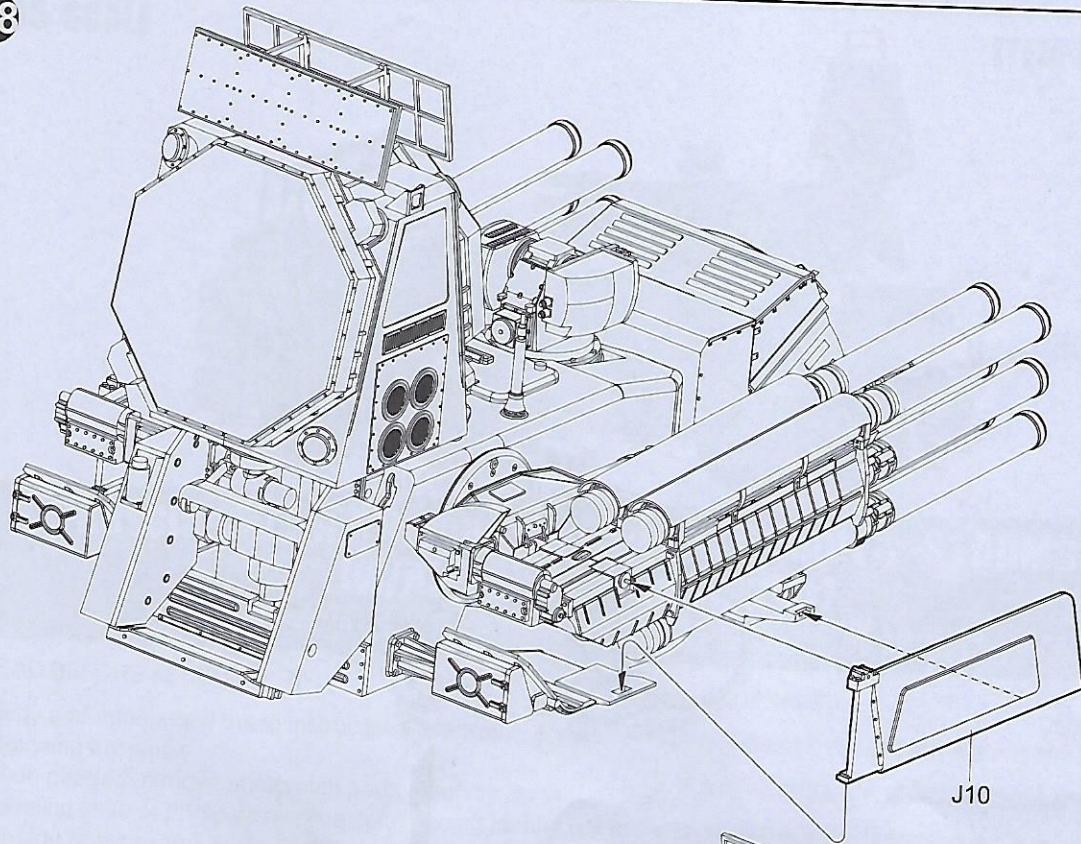


《H-H》

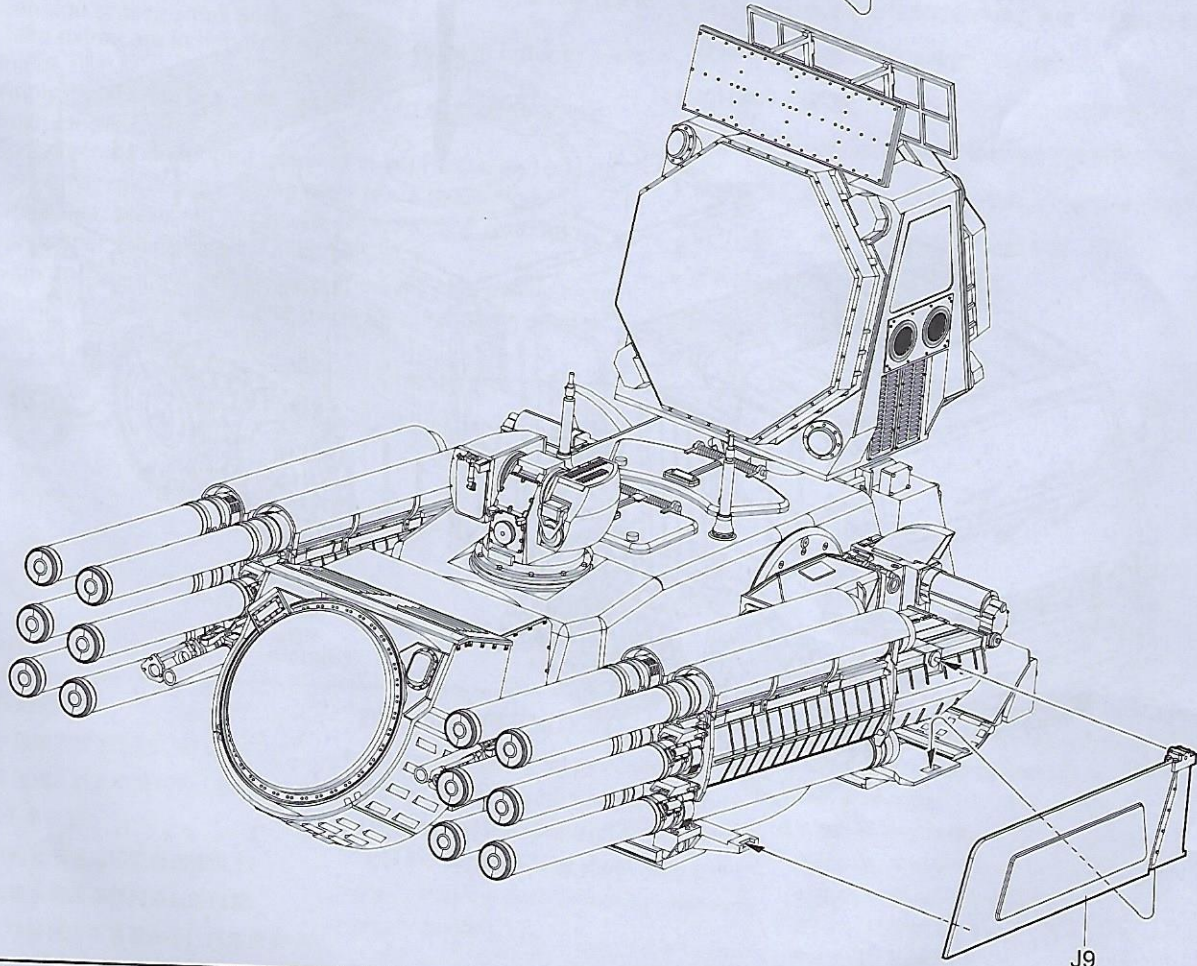


37





J10



J9

