


WWII German Assault Gun Sturmgeschütz III Ausf E (SdKfz 142)

二战德国三号突击炮E型

1/35 SCALE



StuG III Ausf. E: (Sd.Kfz 142; September 1941-February 1942, 284 produced) Superstructure sides added extended  rectangular armoured boxes for radio equipment. Increased space allowed room for six additional rounds of ammunition for the main gun (giving a maximum of 50) plus a machine gun. One MG 34 and seven drum-type magazines were carried in the right rear side of the fighting compartment to protect the vehicle from enemy infantry. Vehicle commanders were officially provided with SF14Z stereoscopic scissor periscopes. Stereoscopic scissor type periscopes for artillery spotters may have been used by vehicle commanders from the start.

Gepanzerter Selbstfahrlafette für Sturmgeschütz 7.5cm Kanone Auf.E in numbers:


Length: 5.40m

Hull Width: 2.93m

Height: 1.98m

Crew: 4

Weight: 20.8 tons

三号突击炮E型开始生产于第二次世界大战期间的1941年9月,作为短身管75mm炮的最终生产型,被广泛用于战场突击  部队的指挥车辆,为了充分发挥指挥车的作用,三突E型改装了Fu16无线受信机,由于此受信机的体积的关系,所以E型改修加大了2侧防护装甲,这个成为了分辨区分E型同其它型号突击炮的特征之一.整个战争期间,三号突击炮E型共生产了284辆,大部分被作为战场指挥车使用.大战末期,少量E型被当做坦克用于阻击敌军。

CORRECT METHOD FOR APPLYING DECALS : 正确使用水贴纸的方法:

1. Clean model parts surface with wet cloth.
将需要贴上水贴之部位表面擦干净。
2. Cut out the decal parts and dip them in cold water for 15 -20 seconds.
将所需之贴纸剪下泡在清水里约15至20秒。
3. Place it on correct position of the model kit.
将湿透之贴纸取出置放于正确之位置旁。
4. Slide off the decal from the base paper on to the model kit surface with a cotton stick.
用棉花棒轻推贴纸表面使其从底纸滑出至模型表面之正确位置。
5. When decal get dry then complete.
待其自然干透后即完成。

ICON INSTUCTION: 图标说明:



Open Hole
钻孔



Remove
切除



Make 2 pics
同样的制作二组



Bend
曲折



Optional
可以选择采用



Apply Decal
贴上水贴纸



Instant Glue For Metal
瞬间接着剂,金属用



Fill Hole
把孔填平



Do not cement
不用粘合

COLOR SUGGESTION: 涂装指引:

Color 涂料表		Hobby Color	MR. Hobby	Humbrol	Tamiya
German Gray	德国灰	H-32	C-40	92	XF-63
Tyre Black	轮胎黑	H-77	C-137	85	XF-1
Steel	黑铁色	H-18	C-28	53	/
Flat Black	消光黑	H-12	C-33	33	XF-1
Wood Brown	木棕色	H-37	C-43	/	/
Brunt Iron	烧铁色	H-76	C-61	/	/

READ BEFORE ASSEMBLING: 组装必读:

- Carefully Study instruction before assembling. 组装前请阅读清楚制作指引。
- Keep plastic model glue and tools away from children. 胶水,油漆及工具勿让小孩接触。
- Do not use cement or paint near open flame or sparks. 胶水及油漆勿接触火种。
- Do not work in closed room. 勿在密封地方制作模型。



BRONCO

Bronco Models

Copyright © 2016

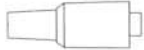
Made in China

中国制造

No use parts
不要部件



Metal barrel

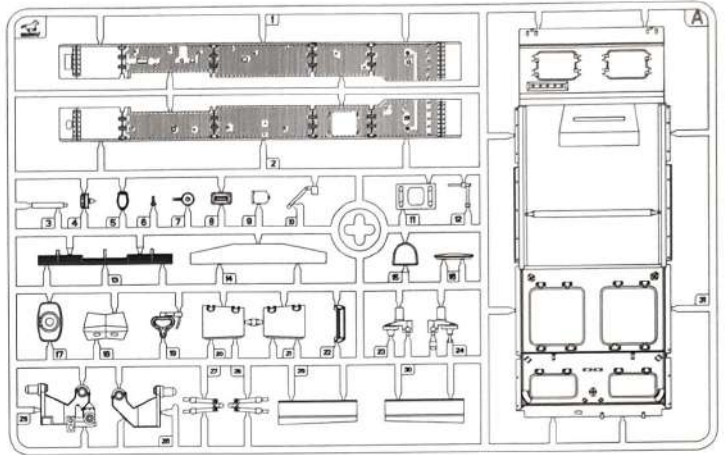


Copper wire × 2

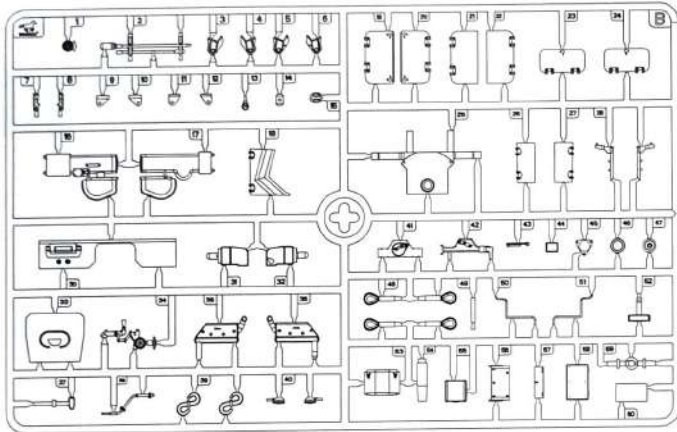
铜丝



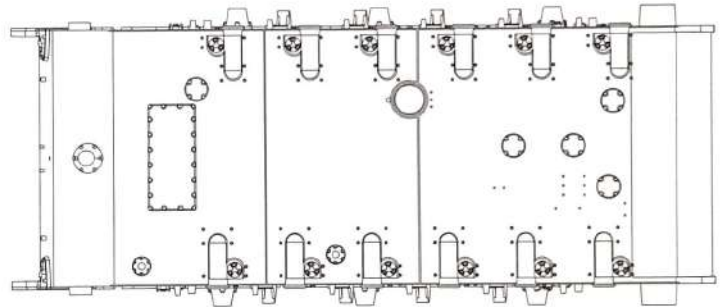
(A) × 1



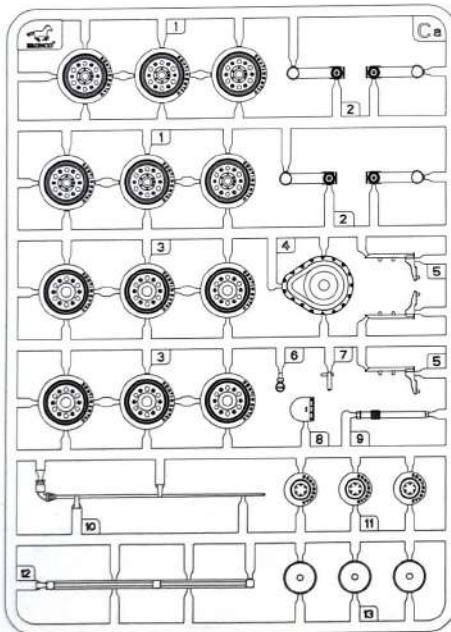
(B) × 1



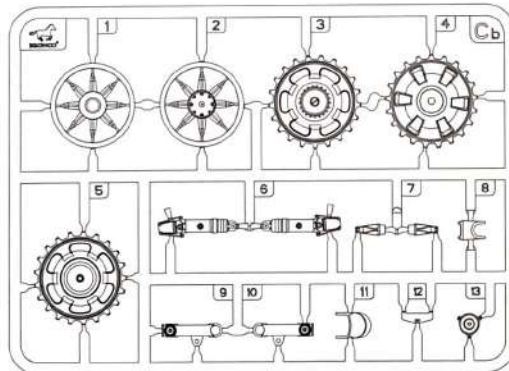
(L) × 1



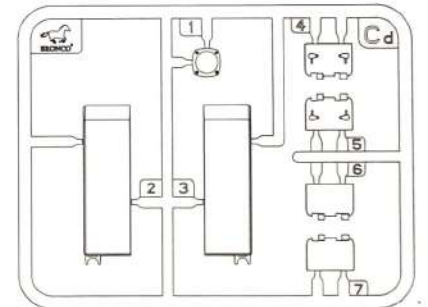
(Ca) × 2



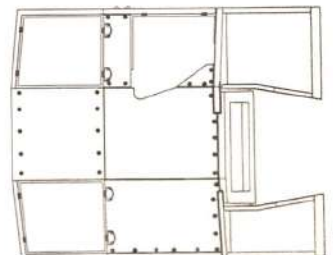
(Cb) × 2



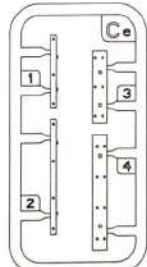
(Cd) × 1



(M) × 1



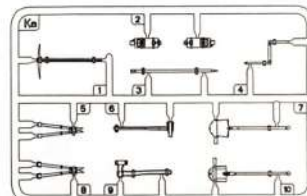
(Ce) × 1



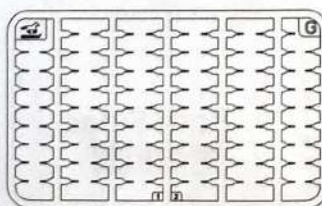
(F) × 1



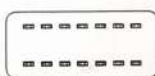
(Ka) × 1



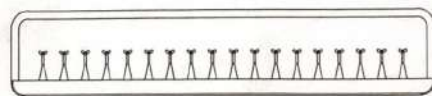
(G) × 4



(H) × 1



(N) × 1



DECAL × 1



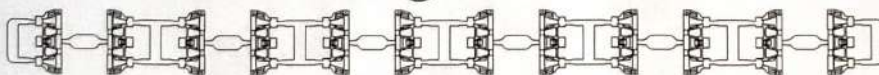
(PA) × 1



(PB) × 1



(S) × 17



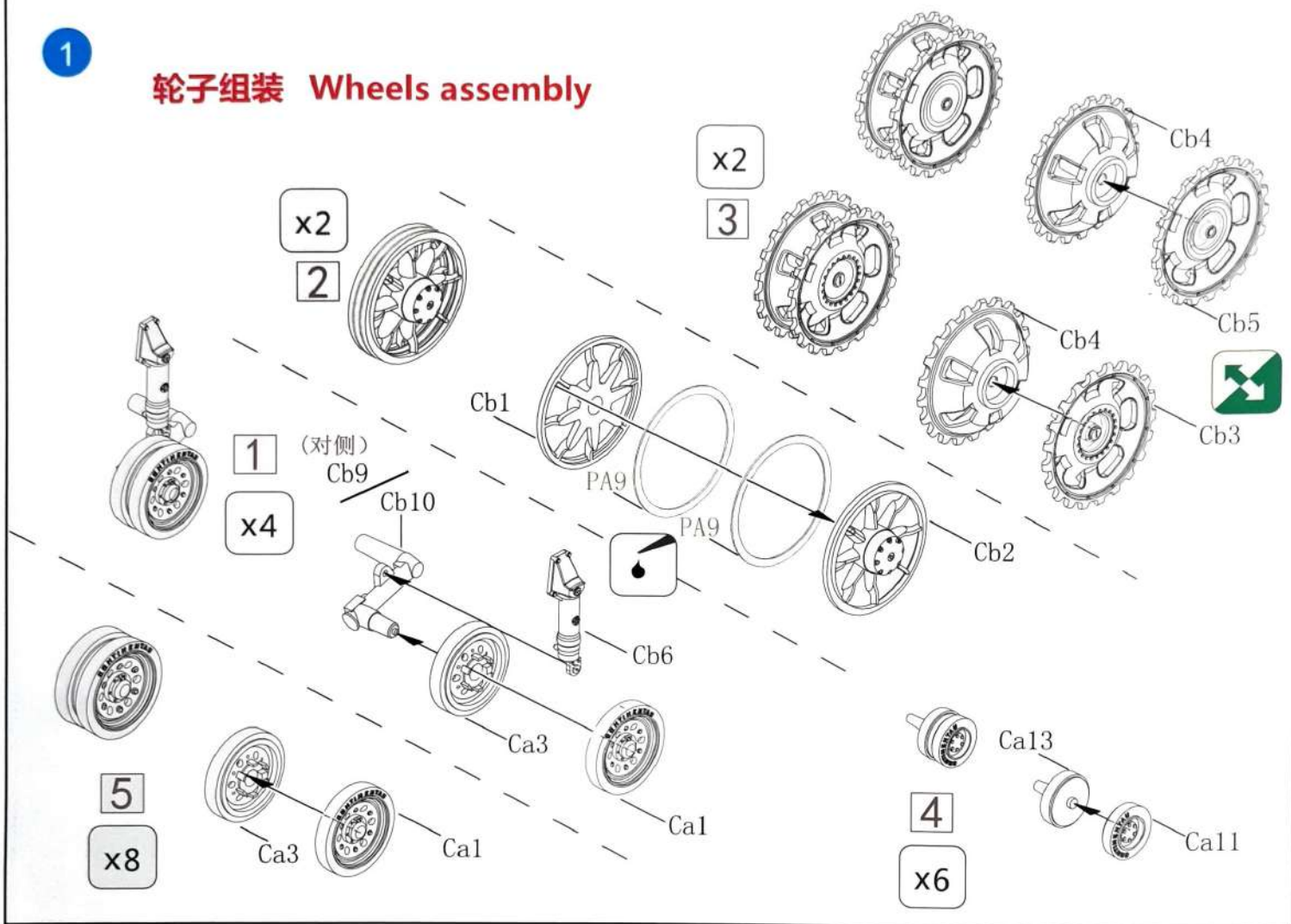
CB35118

Caution: This kit contents a lot of small accurate parts, please carefully to read before to assembly.

此套件包含不少精细零件，请在制作前先翻阅说明书了解清楚。

1

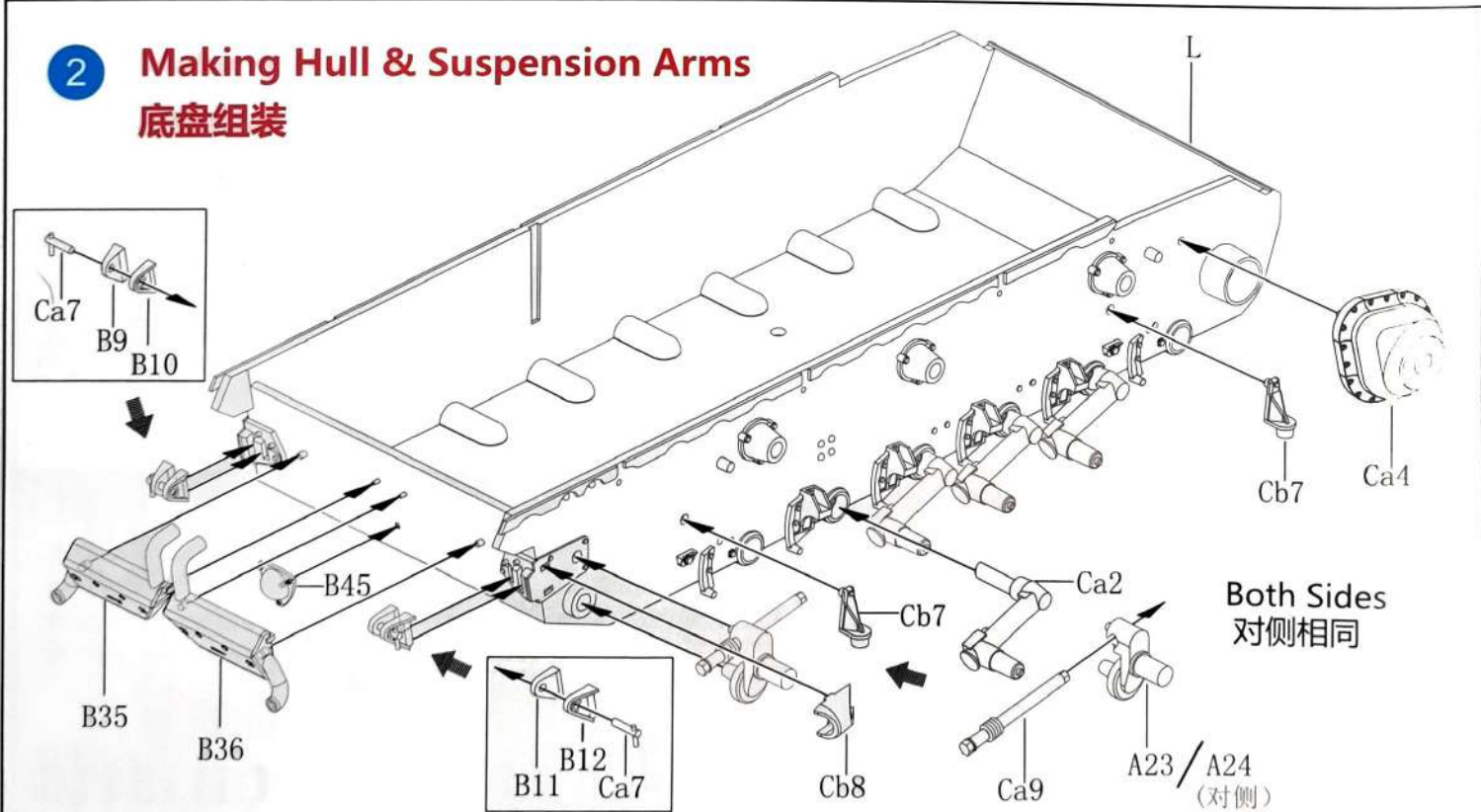
轮子组装 Wheels assembly

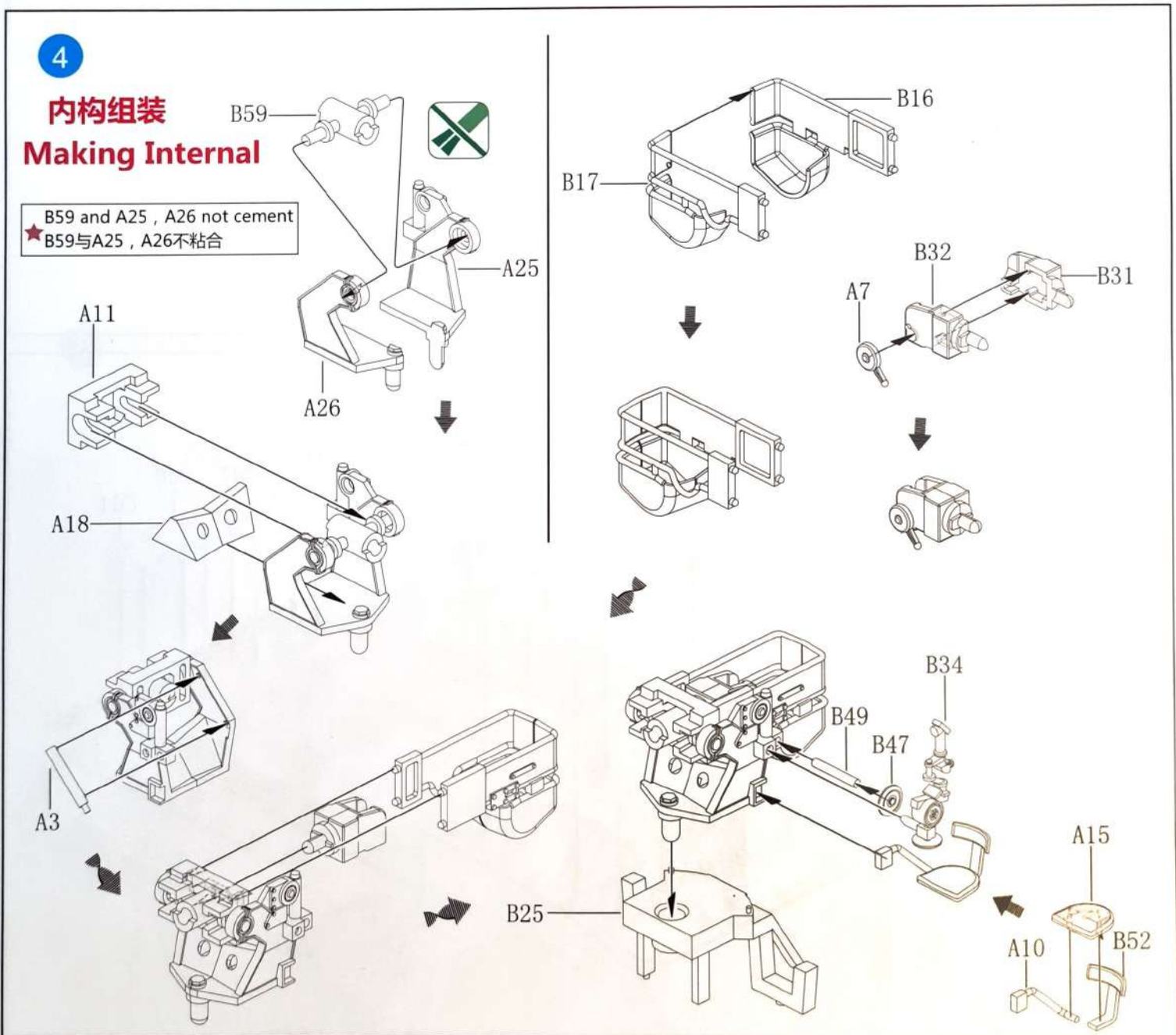
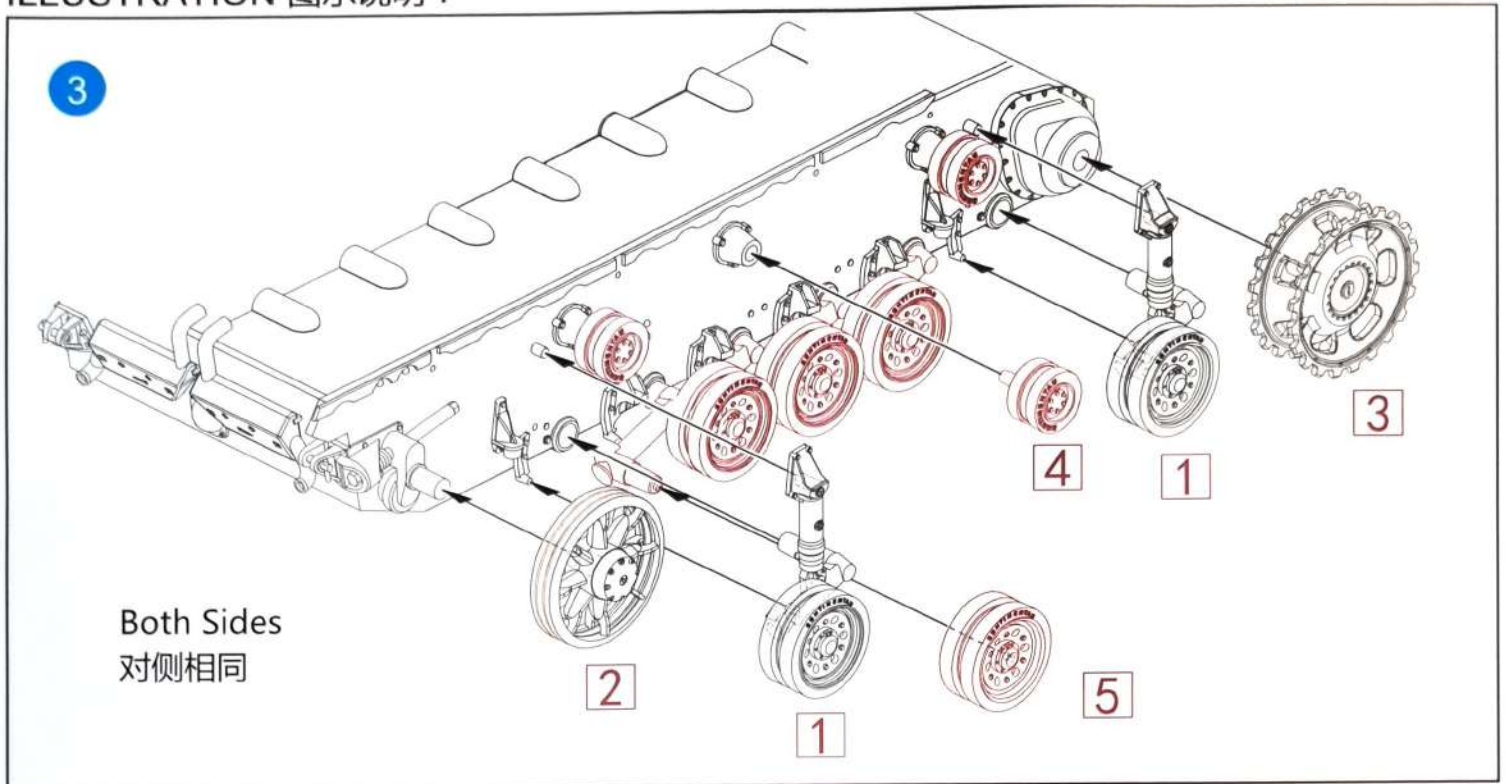


2

Making Hull & Suspension Arms

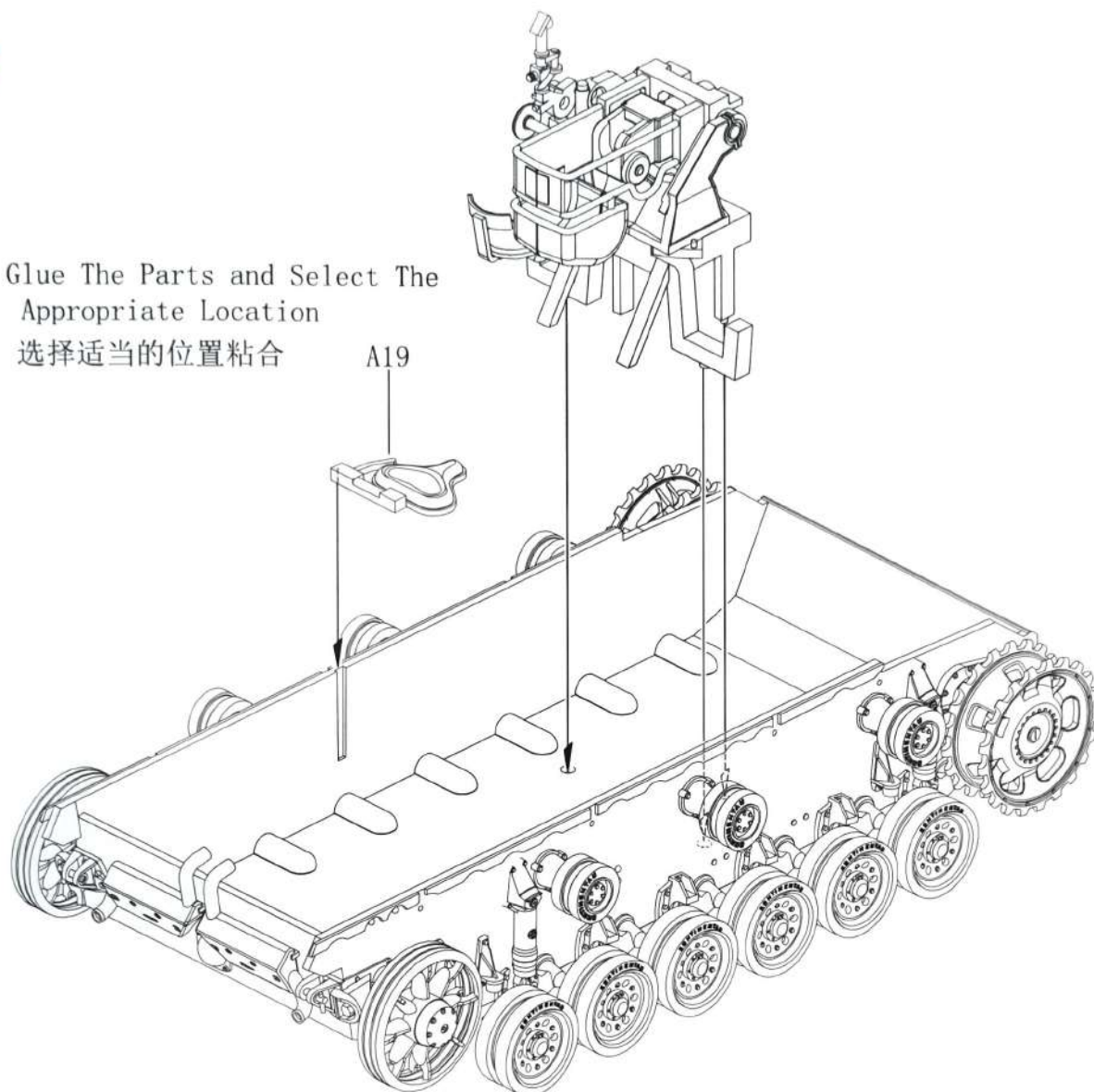
底盘组装





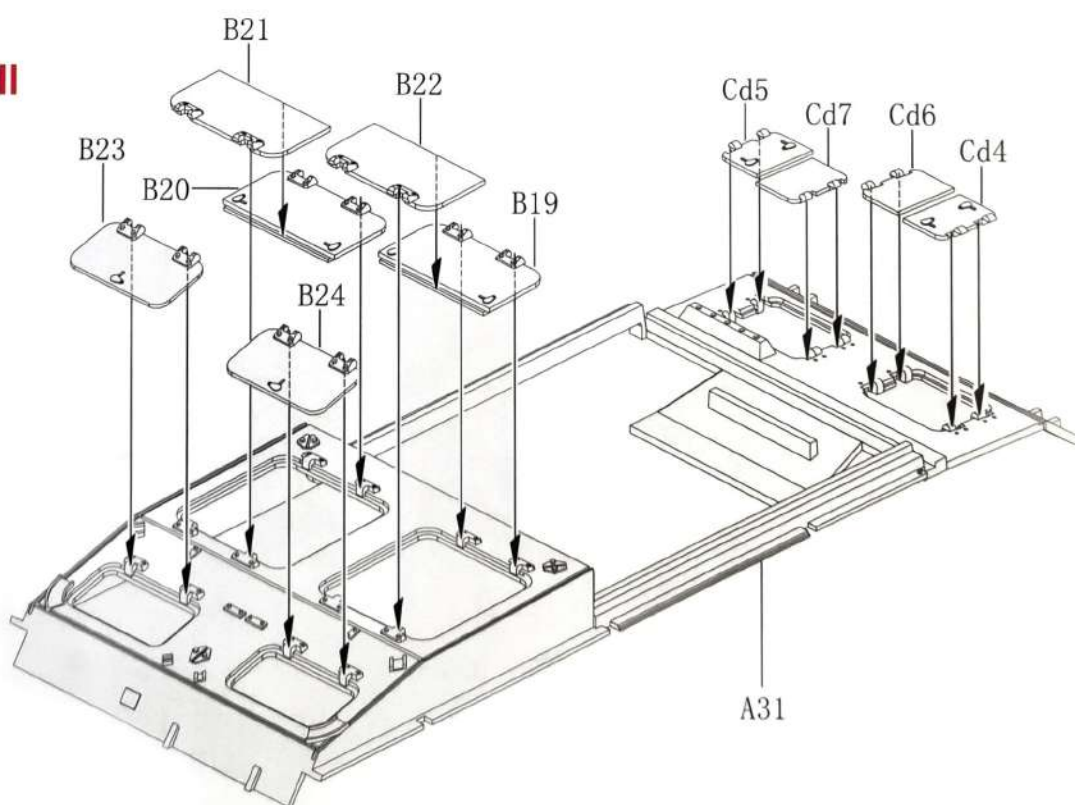
5

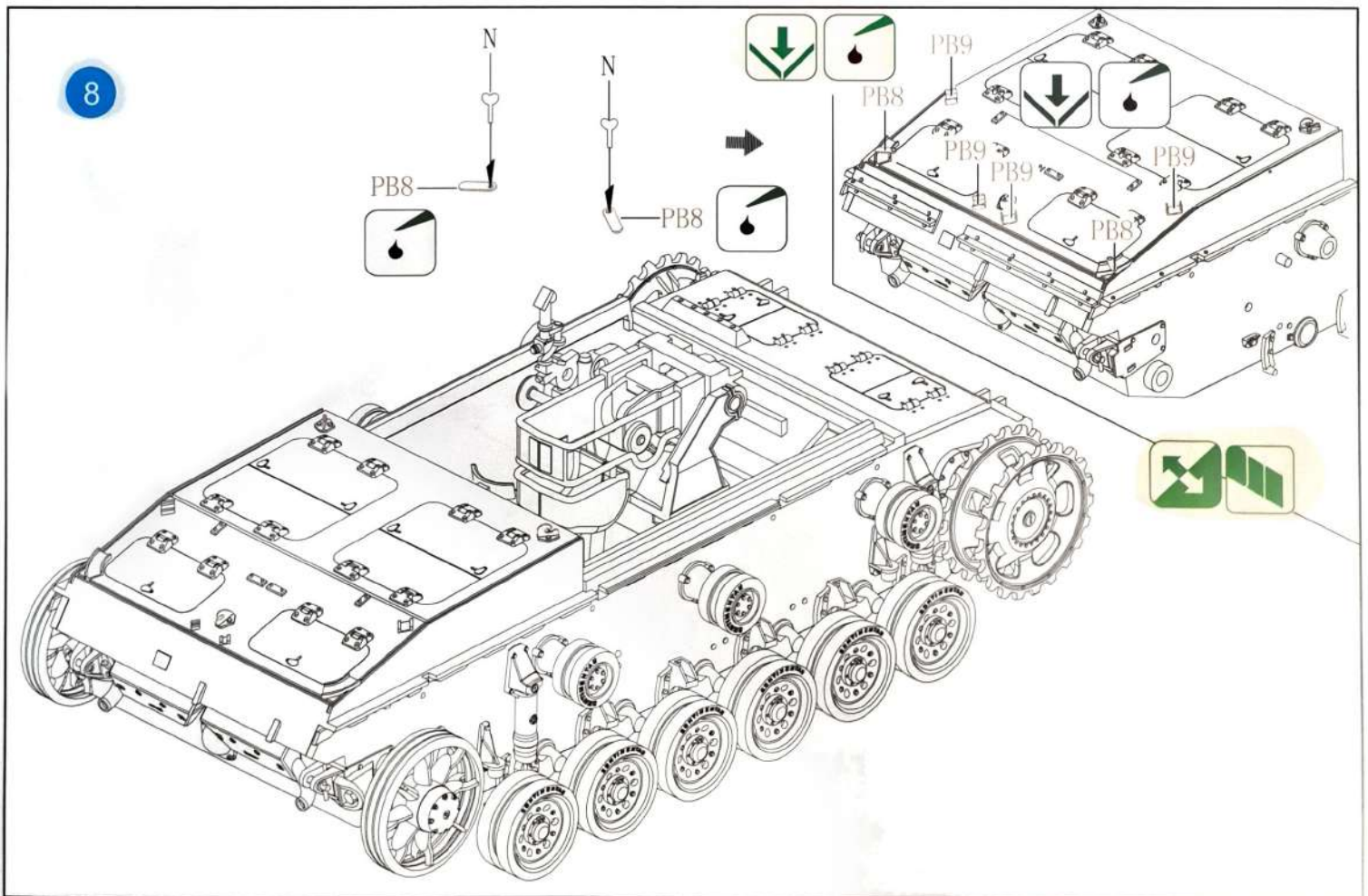
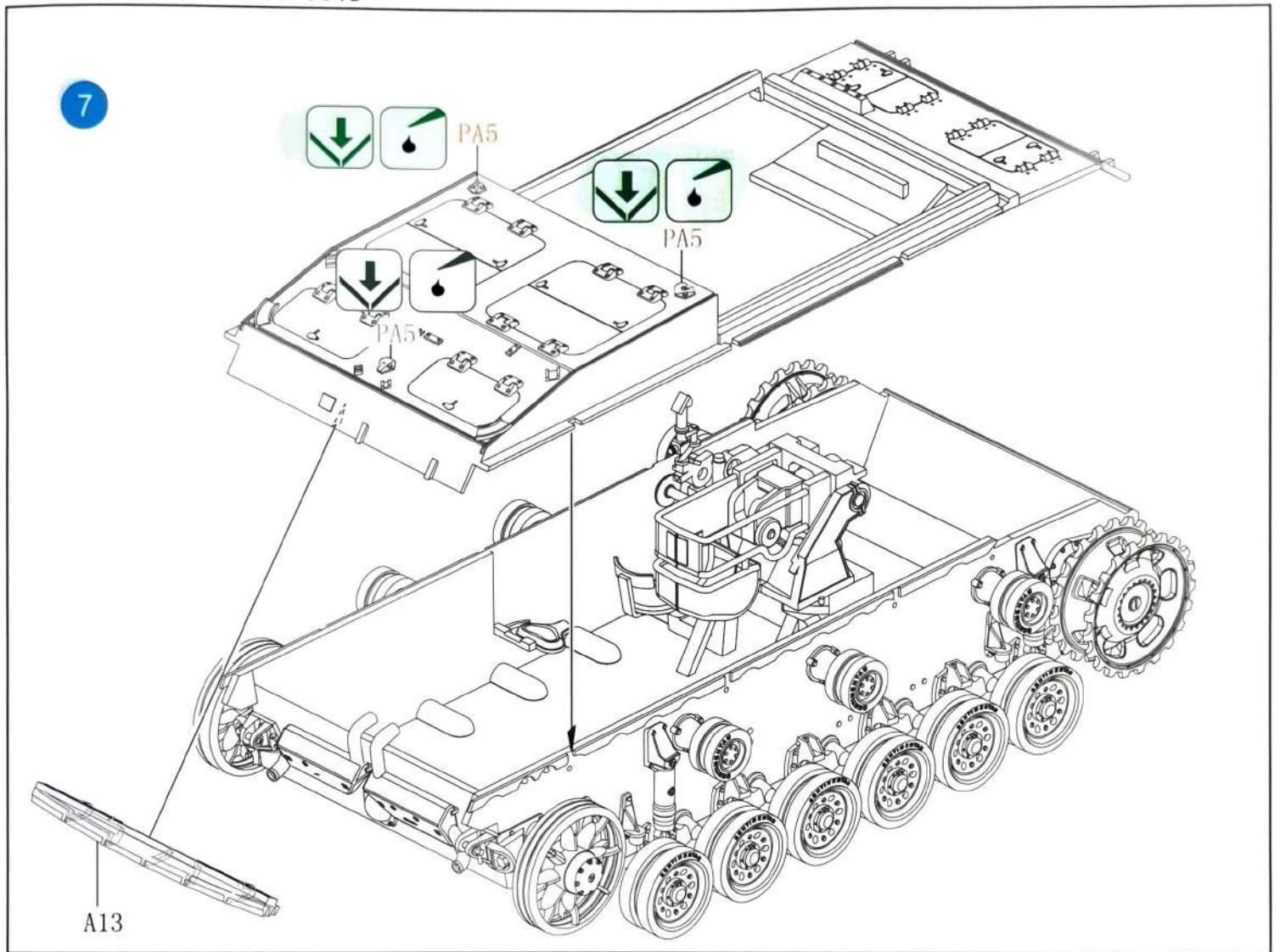
Glue The Parts and Select The
Appropriate Location
选择适当的位置粘合



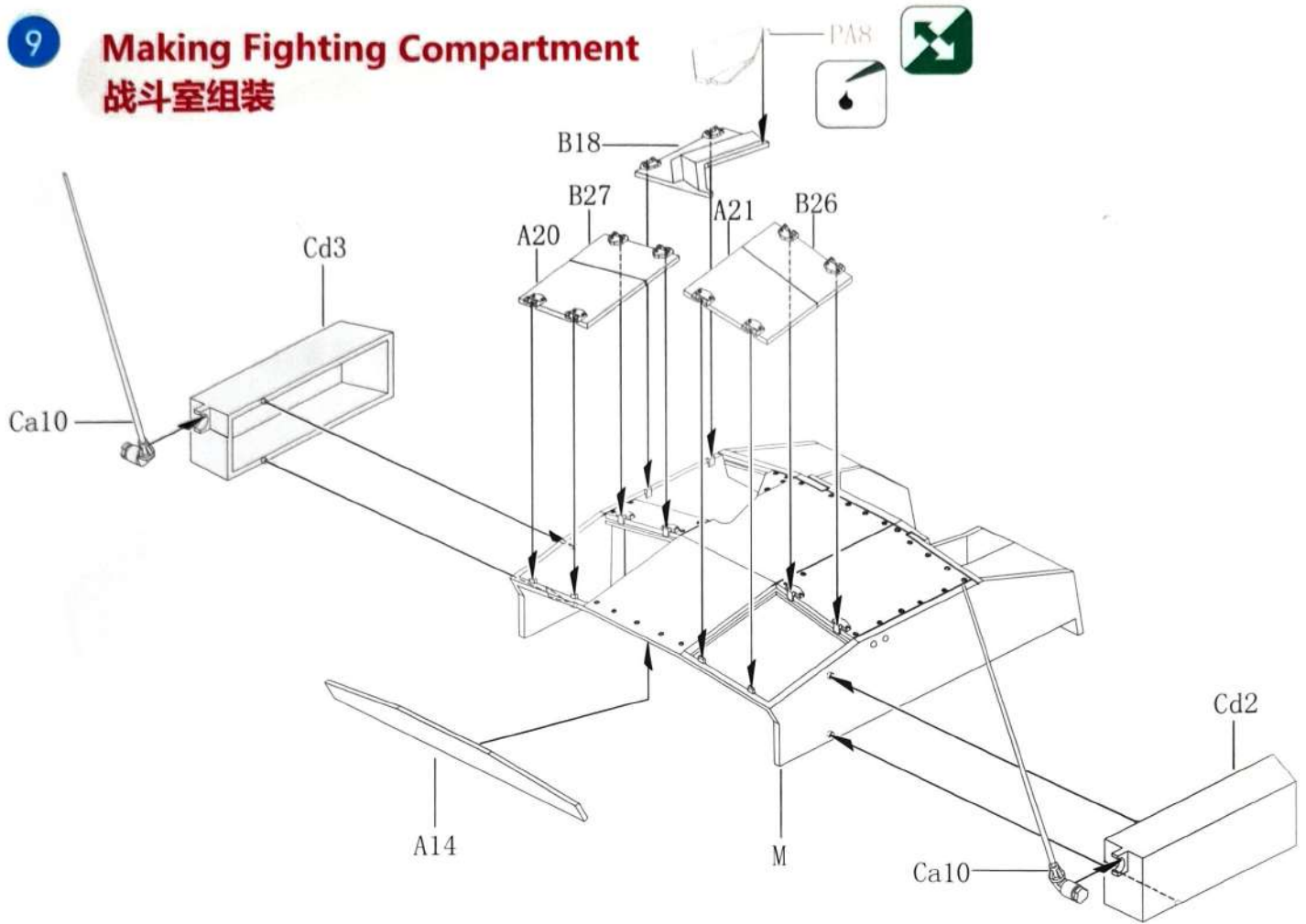
6

**Making Upper Hull
Installation**
车身组装

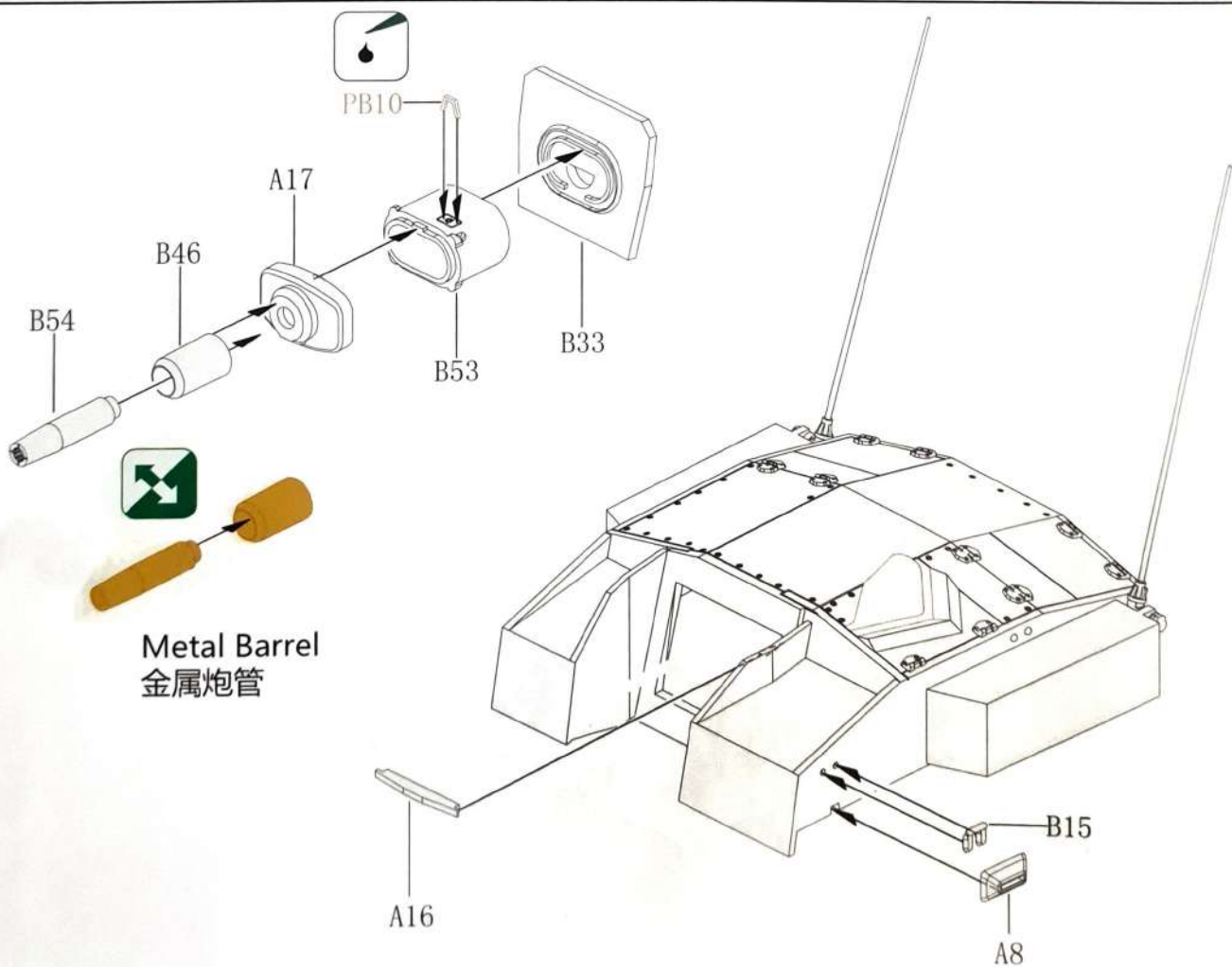


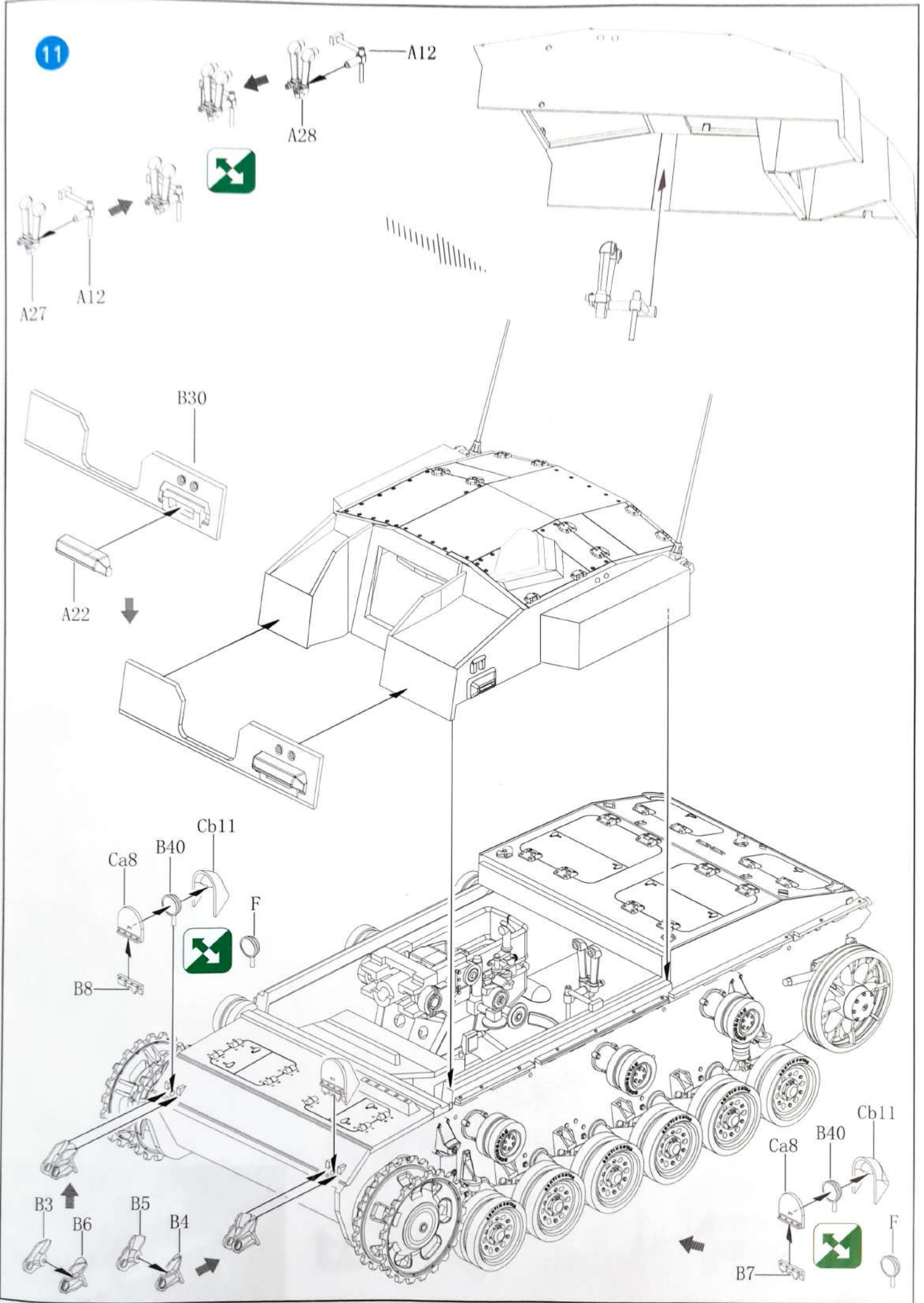


9 Making Fighting Compartment
战斗室组装

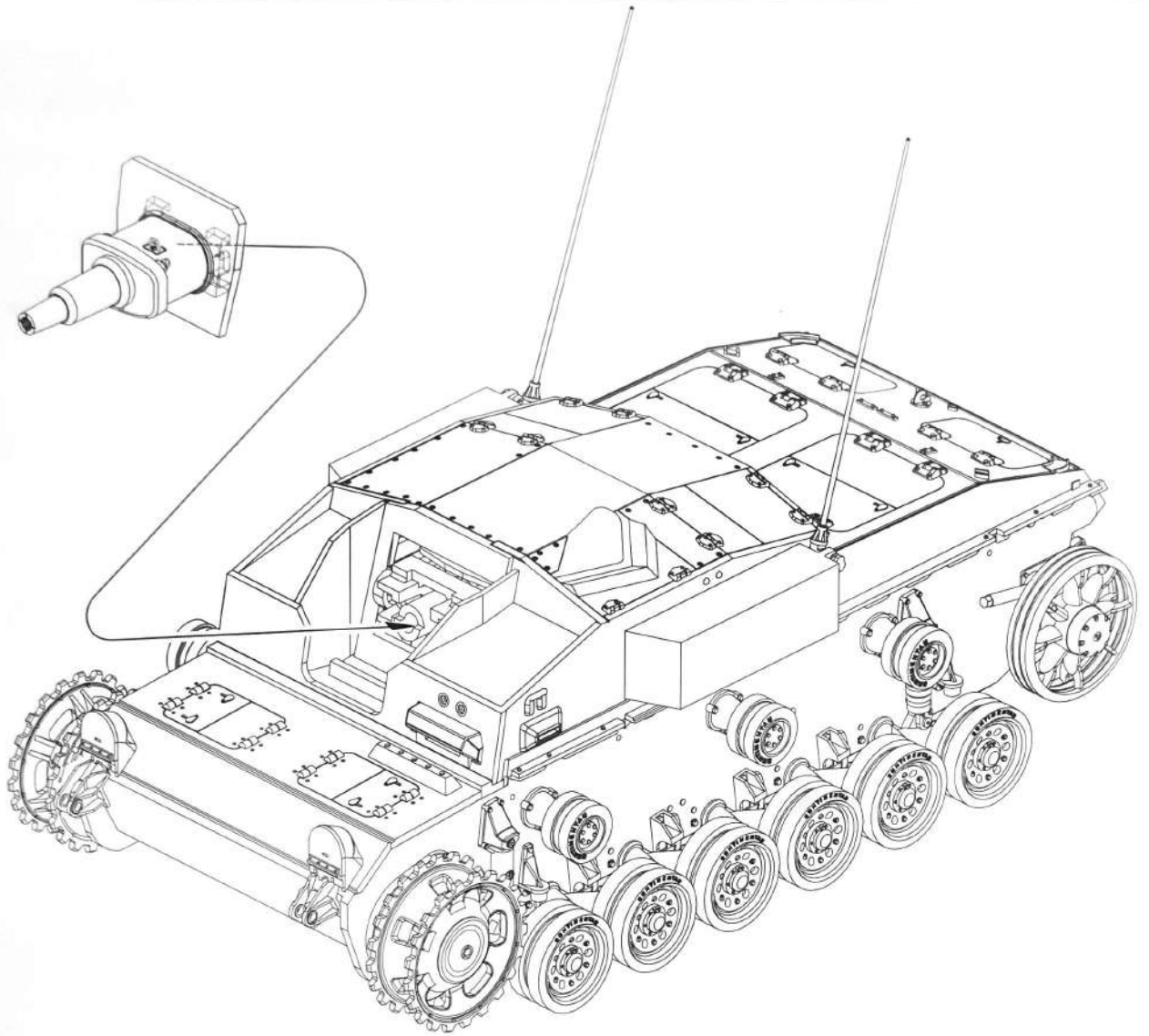


10

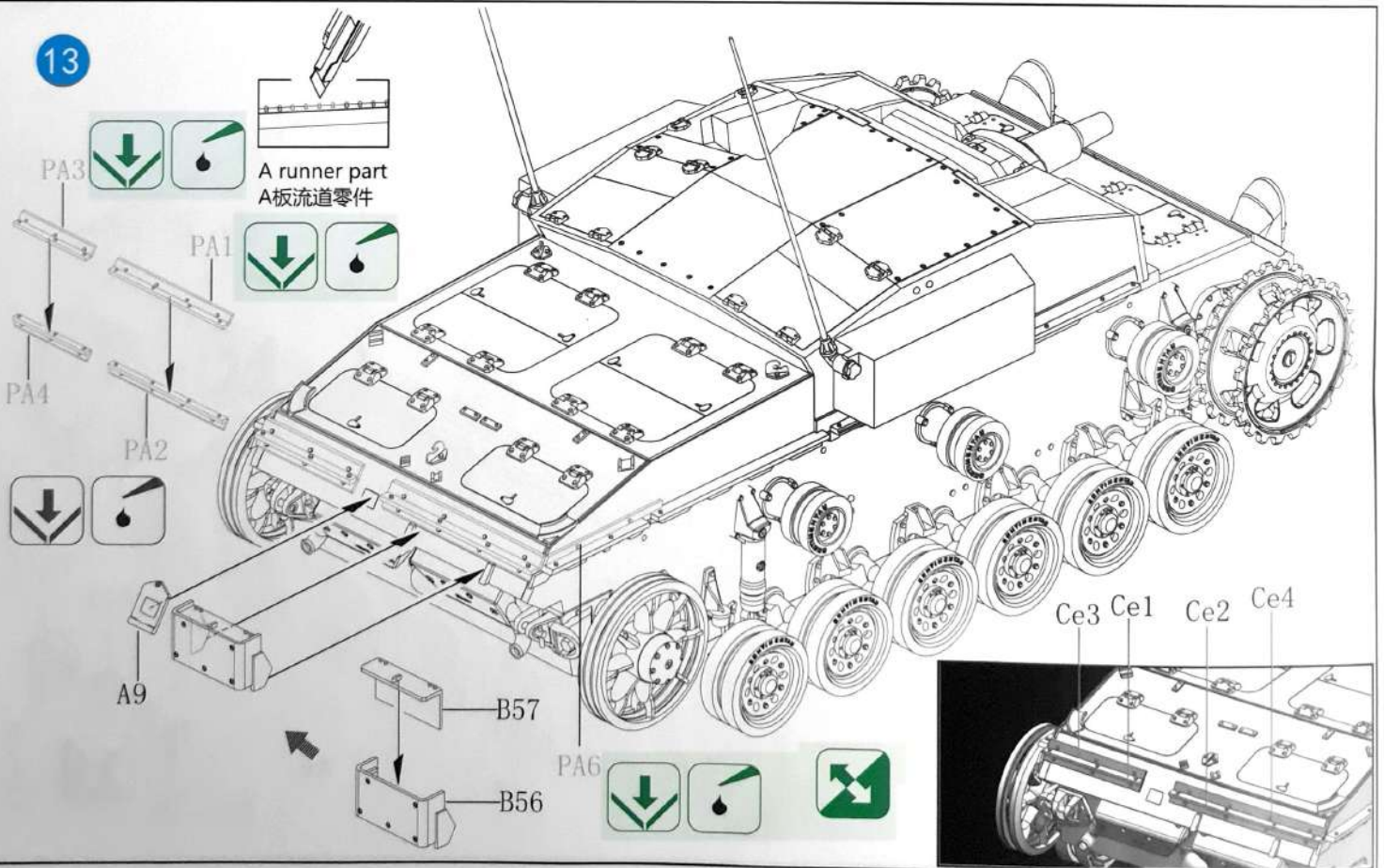


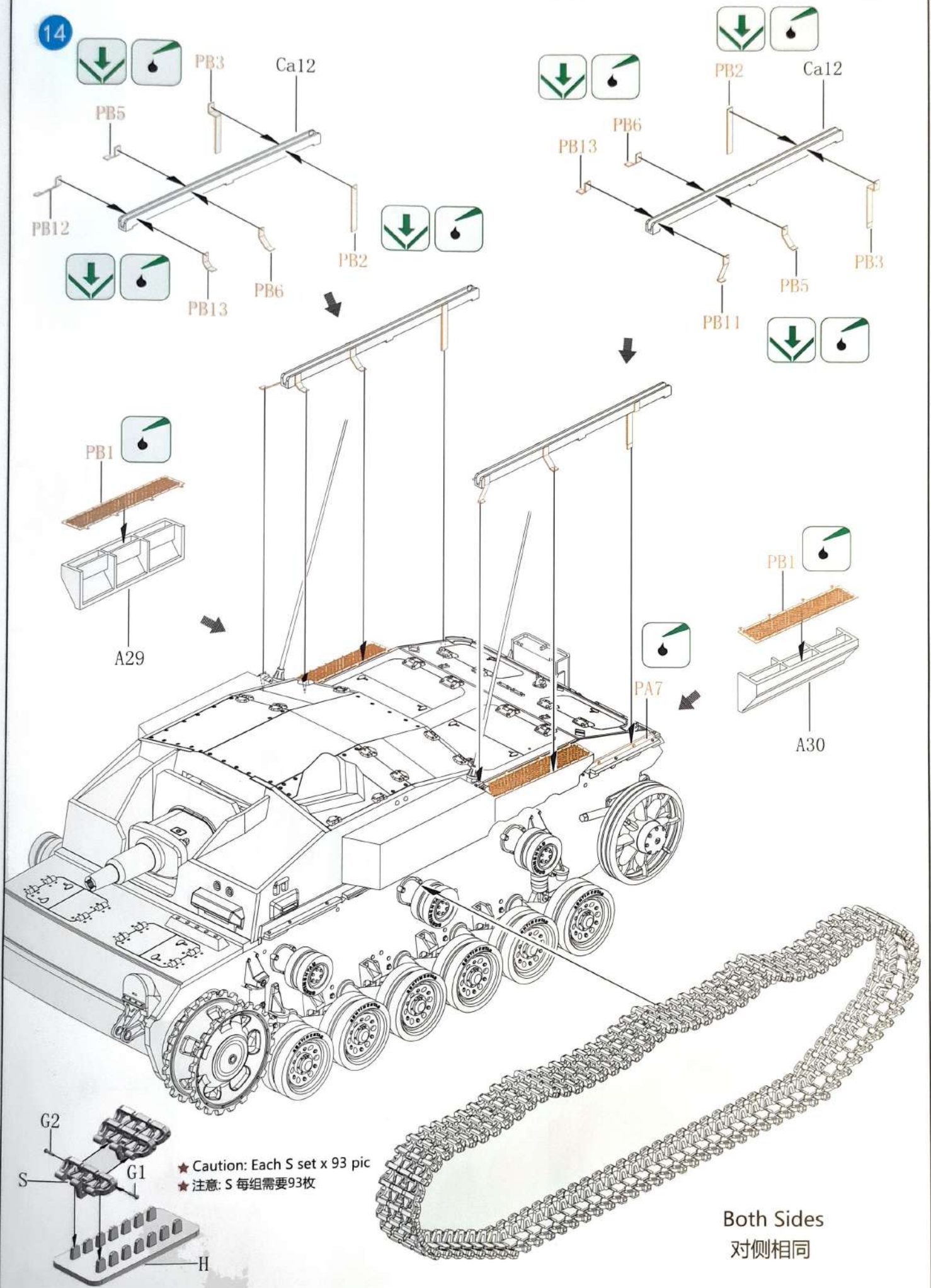


12



13

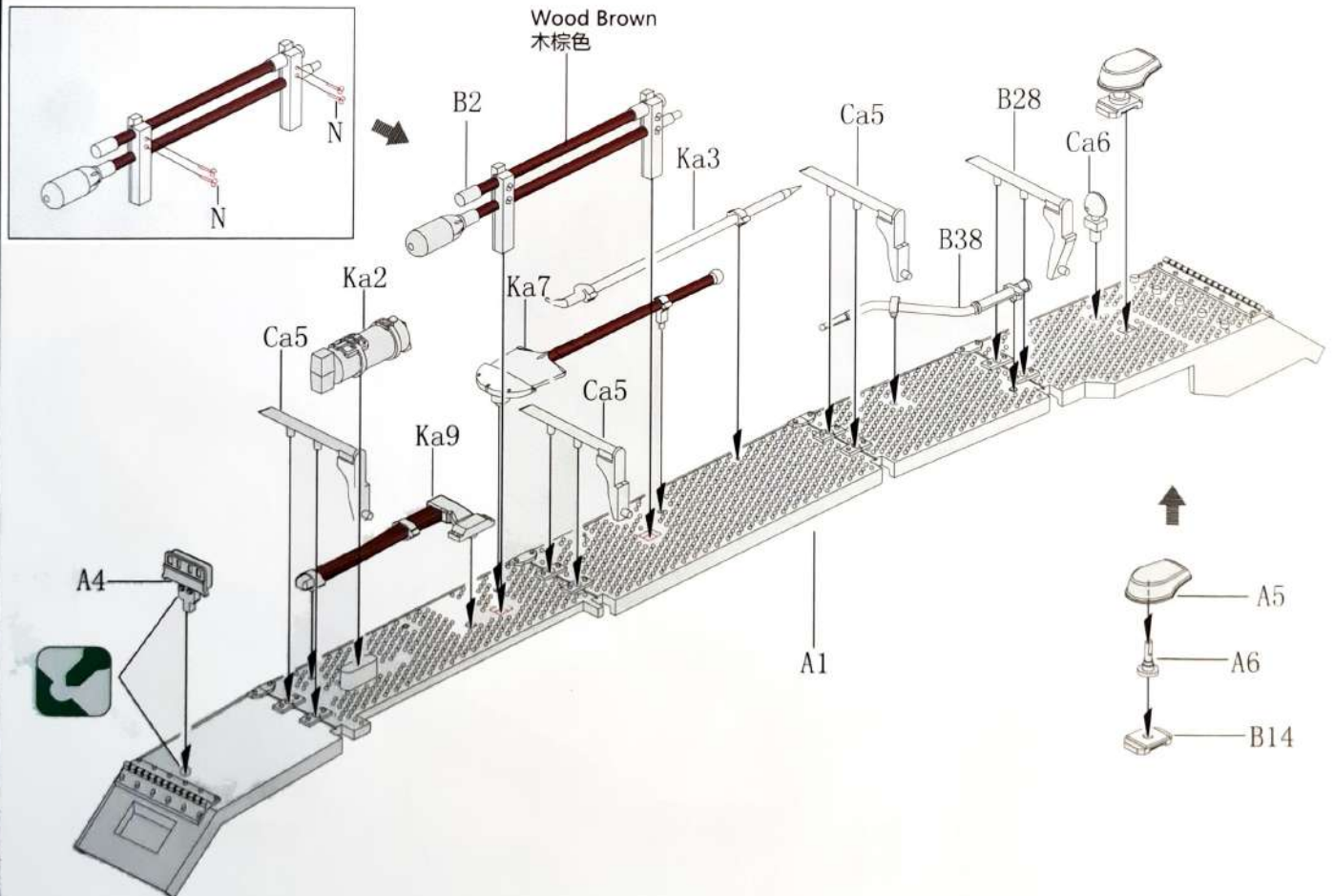
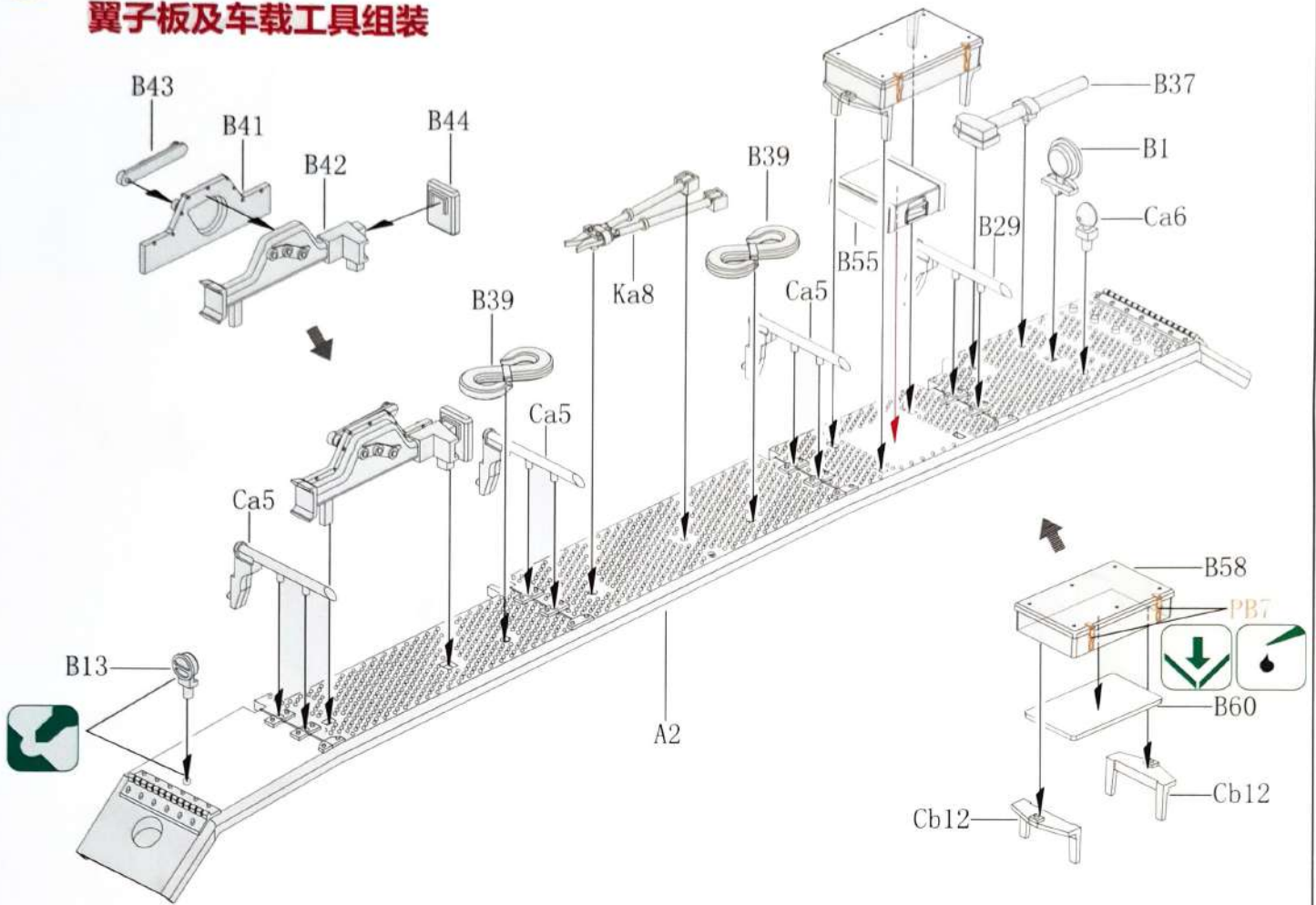




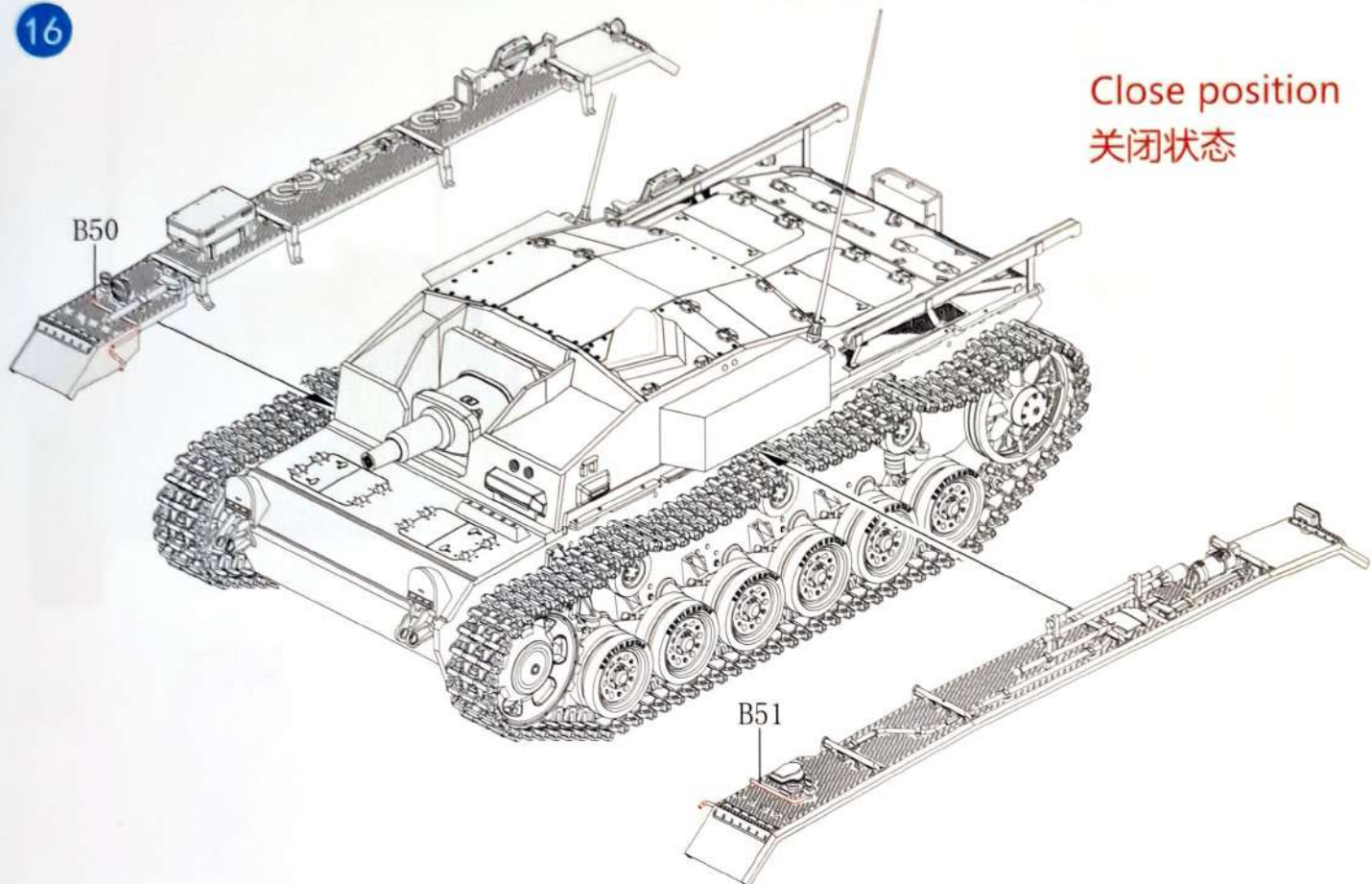
★ Caution: Each S set x 93 pic
 ★ 注意: S 每组需要93枚

Both Sides
 对侧相同

15 Making Angles and Tools
翼子板及车载工具组装



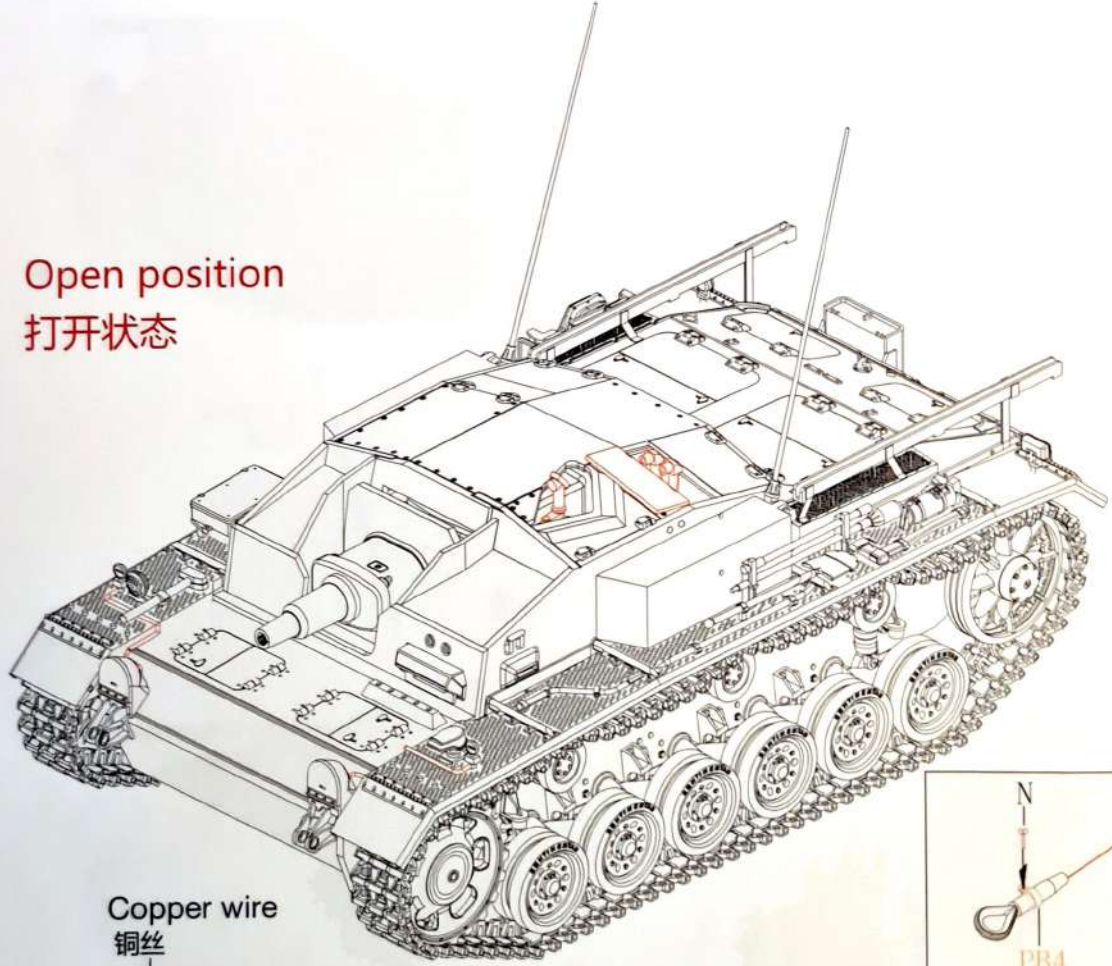
16



Close position
关闭状态

17

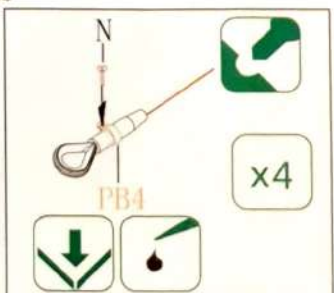
Open position
打开状态



Copper wire
铜丝



x2

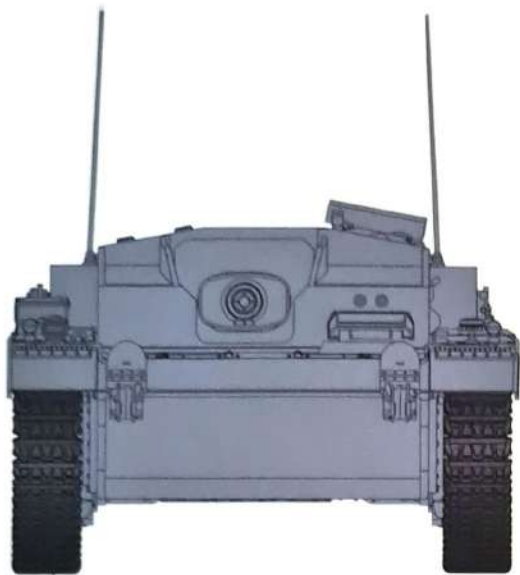


x4

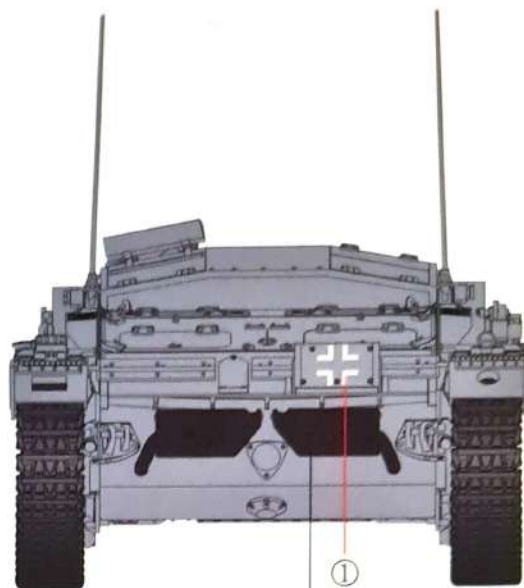
DECAL&COLOUR GUIDE 水贴及涂色指示：

Option3: Early vision, German, 1941

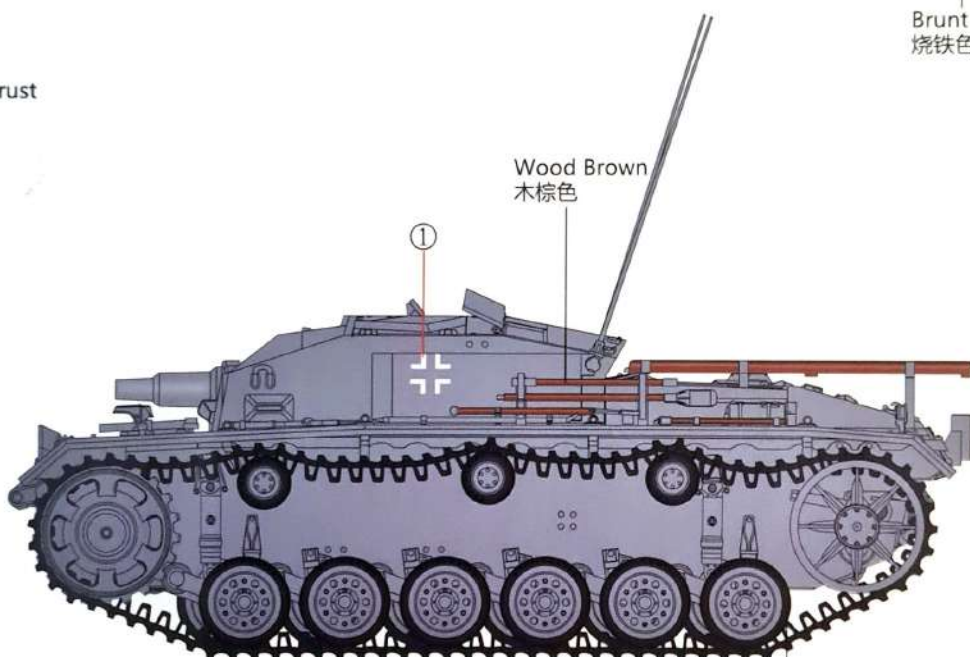
二战德军三号突击炮E型出厂初期型。



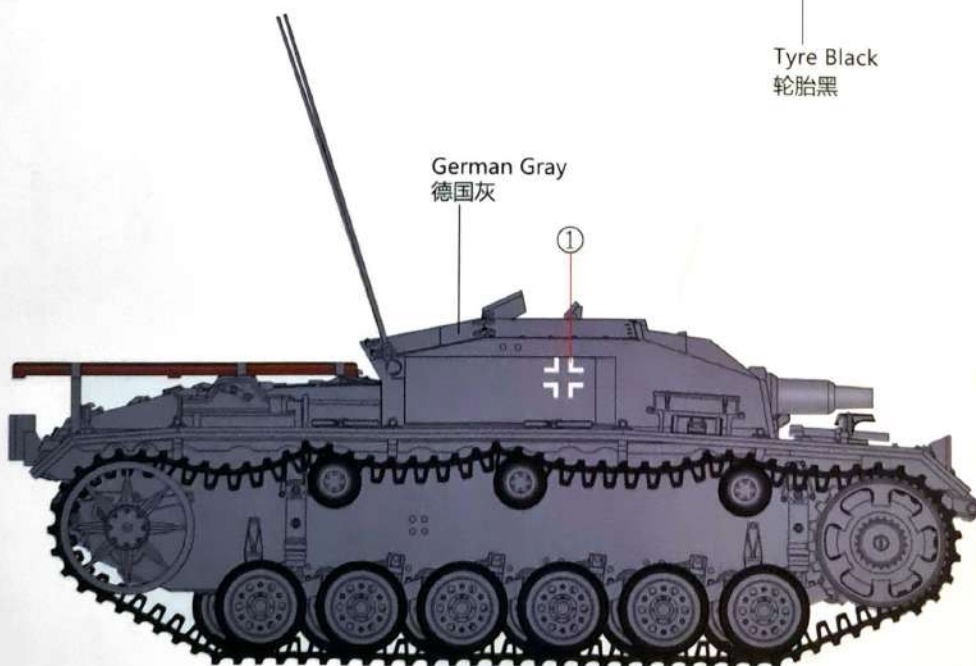
Metallic grey rust
履带色



Brunt Iron
烧铁色



Wood Brown
木棕色



Tyre Black
轮胎黑

German Gray
德国灰