

1/35 MILITARY MINIATURE VEHICLE UPGRADE SERIES PE35477

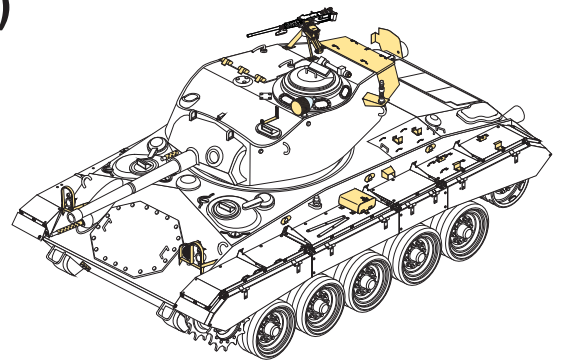
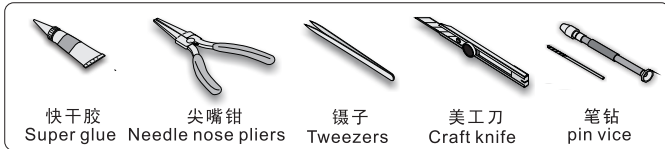
Technical assistance provided by Mr.Zhong Ming Zhou

WWII US M24 Chaffee (Early Prod) Light Tank basic

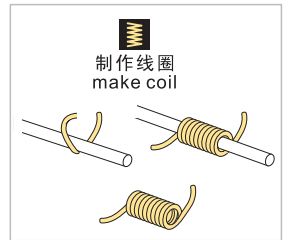
二战美军M24 霞飞 轻型坦克基本改造件

[For Bronco 35069]

推荐使用工具 RECOMMENDED TOOLS

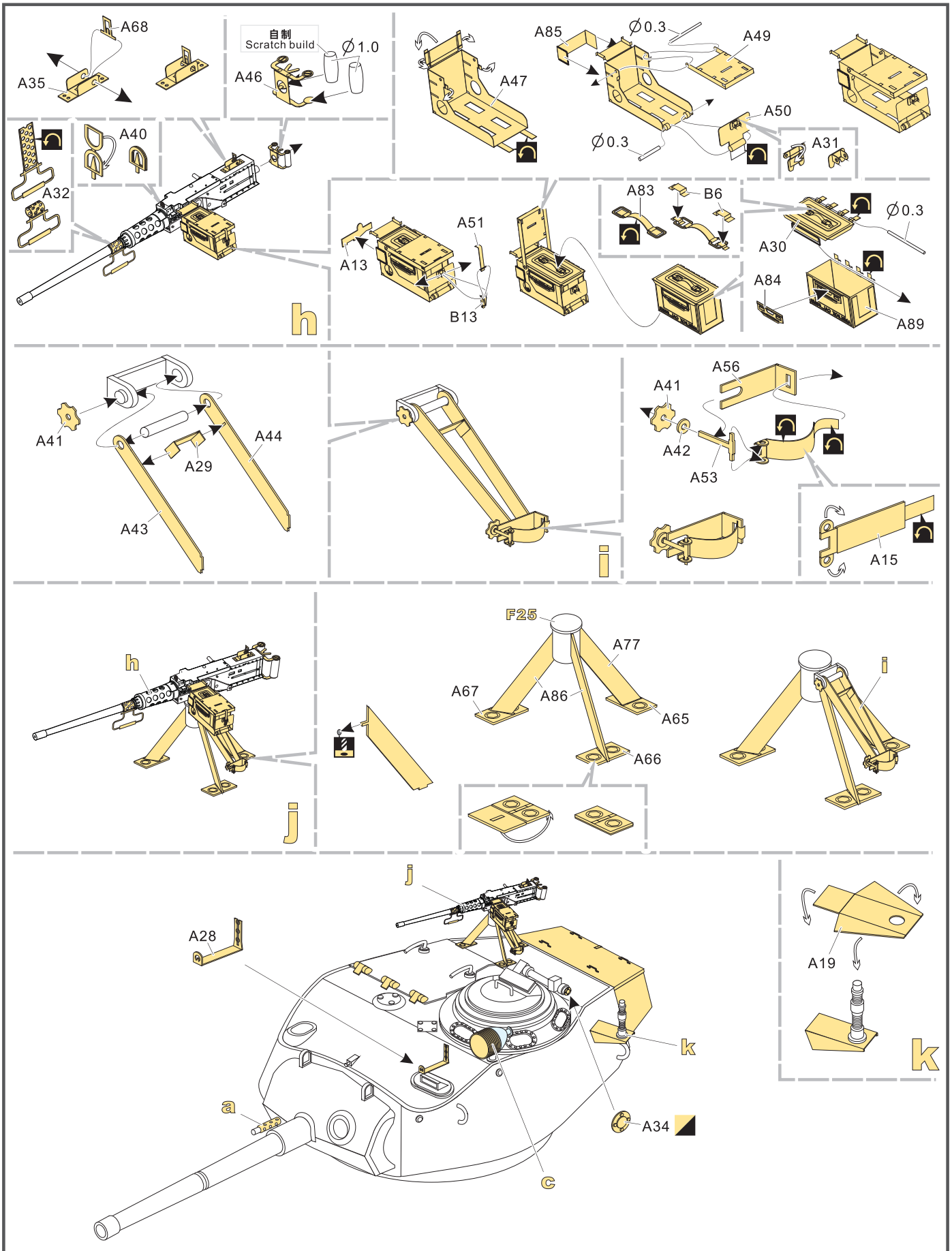


- ↑
安装
install
- ↩
折叠
bend
- A1
改造件零件编号
PE/resin part number
- B12
原零件编号
kit part number
- C22
被替换的原零件编号
replaced kit part number
- ↓
用尖端在凹槽处冲压
use penpoint to press on the dent
- ✂
切除
remove
- ◀▶
另一侧相同制作
repeat on opposite side
- ⤵
弧度卷曲
radial bending
- x2
制作若干组
multiple assembly
- ↔
选择安装
alternative
- ⚪
钻孔
drill
- 用胶棒制作
make from plastic rod



The main assembly diagram is divided into several sections labeled a through g, showing the step-by-step construction of the tank's hull and engine compartment. Part A7 is a perforated plate. A36, A37, and A38 are components for the engine area. A39 is a long strip. A60 and A61 are small brackets. A62, A63, and A64 are side panels. A18 is a cylindrical component. A81 and A82 are small plates. A54 and A6 are large hull panels. A45, B7, B10, and B11 are small detail parts. A71 and A3 are rear hull components. The diagram includes various icons from the tool and technique lists to indicate how to assemble each part.

1/35 MILITARY MINIATURE VEHICLE UPGRADE SERIES PE35477



1/35 MILITARY MINIATURE VEHICLE UPGRADE SERIES PE35477

m

n

o

p

q

r

s

t

u

v

w

x

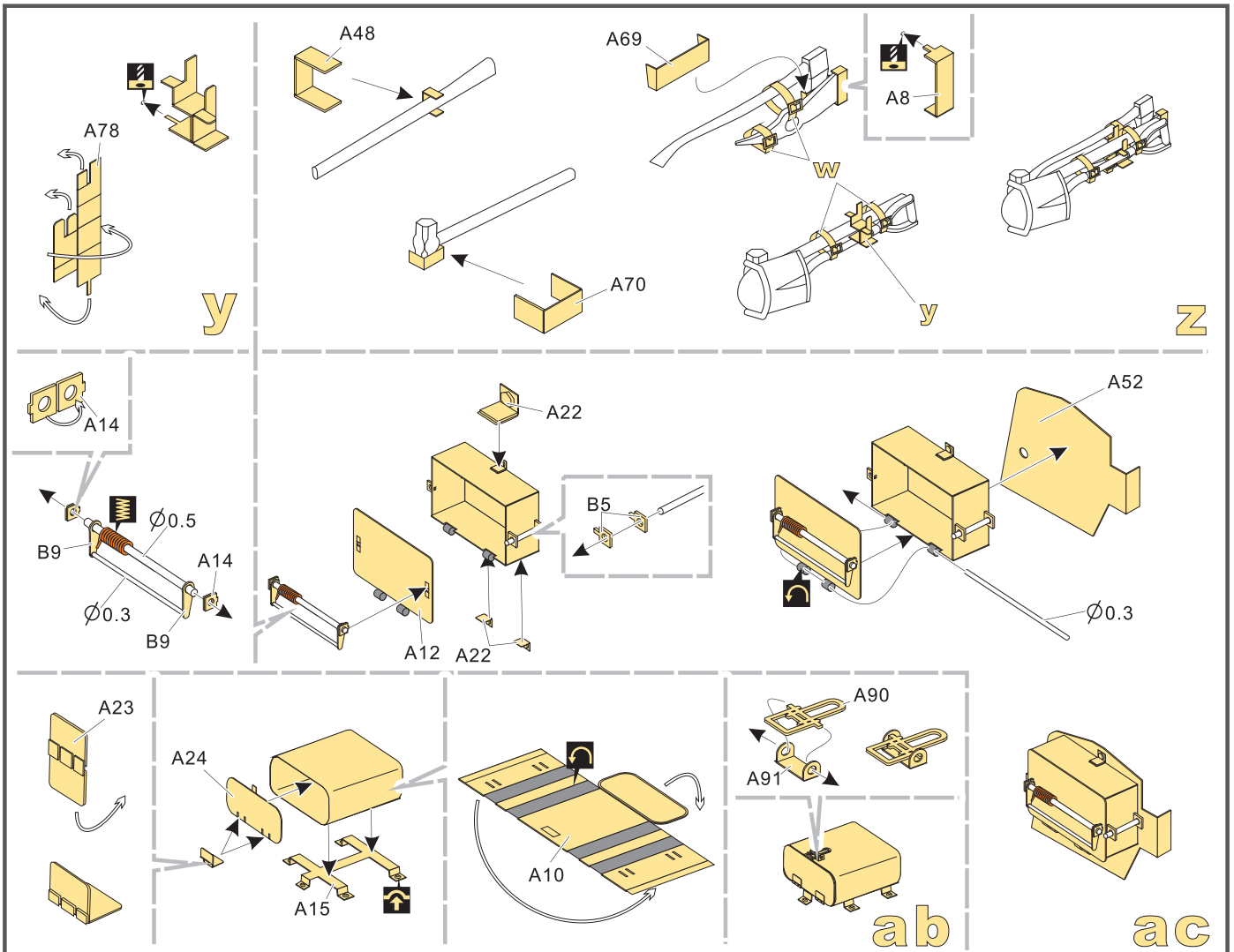
A59, B18, P1, P2, A3, A55, A17, A59, A3, B7, B14, A33, P4, B2, P3, B3, A2, B7, B14, A74, A79, A75, A76, A57, A58, A80, A73, A73, A20, A21, B17, B15, A87, A5, x4, B8, x4, A11, A9

利用制具弯出A79所需要的形状
Form A79 to shape with provided jig

利用制具弯出A80所需要的形状
Form A80 to shape with provided jig

自行选择使用绑带
Optional straps may Be installed

1/35 MILITARY MINIATURE VEHICLE UPGRADE SERIES PE35477



VOYAGERMODEL® 无微不至 极尽享受
The Best Upgrade Solution

Recommended item	
PE 35478	WWII US M24 Chaffee (Early Prod) Light Tank Fenders and Skirts
PEA 107	WWII US Sherman Series OVM
VBS0207	WWII US Vehicle Mounted M2 Browning Machine Gun

