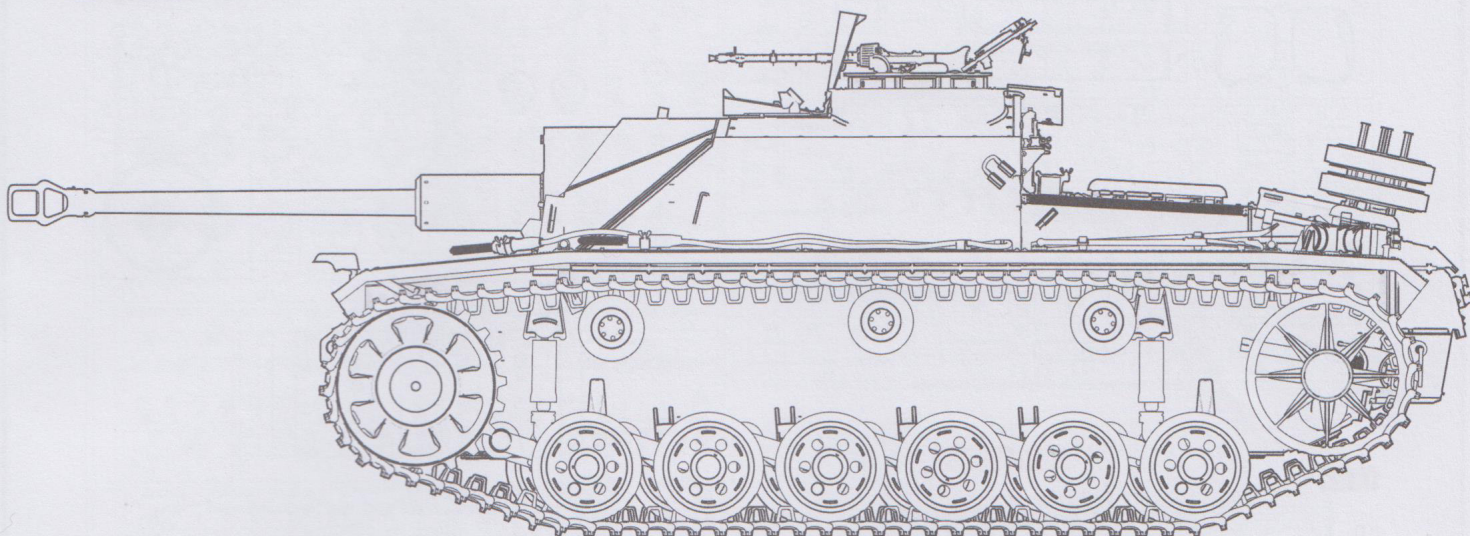


1/35 SCALE
5069
Military Miniature Series



RFM
RYEFIELD MODEL®

StuG.III Ausf.G

Early Production

ASSEMBLY ICONS



OPTIONAL
选择



CEMENT
膠水



DO NOT CEMENT
不使用膠水



INSTANT CEMENT
瞬間接著劑



BEND
彎折



MAKE 2
製作2組



OPEN HOLE
鑽孔



REMOVE
切除



BE CAREFUL
注意



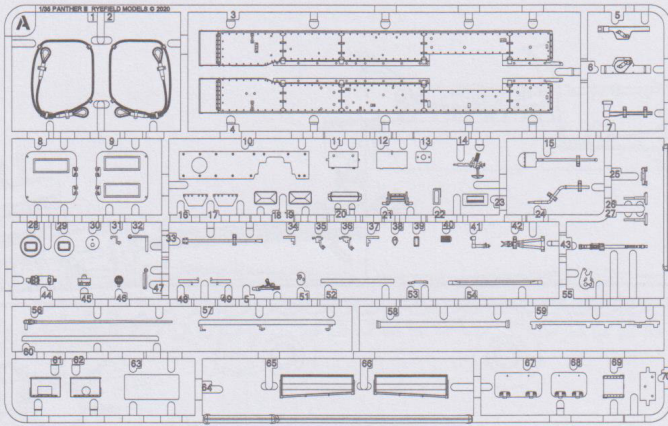
APPLY DECAL
貼上水貼紙

CAUTION!

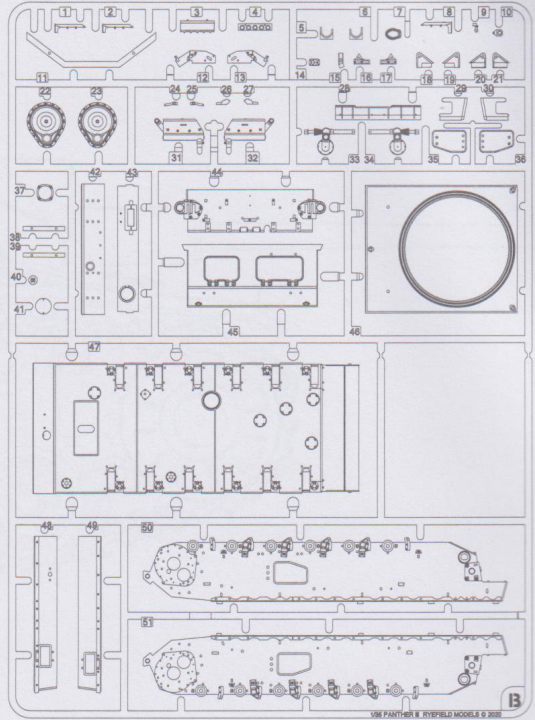
Read carefully and fully understand the instructions before commencing assembly.
Supervising adult should also read the instructions if a child assembles the model.
When you used glue or paint, do not use near a naked flame, and use in a well-ventilated room.
When assembling this kit, tools including knives are used. Extra care should be taken to avoid personal injury.
Read and follow the instructions supplied with paints and/ or cement. Use plastic cement and paints only.
Keep out of reach of small children. Children must not be allowed to suck any part, or pull vinyl bag over the head.

在裝配前仔細閱讀說明並完全理解。小孩裝配時需成人看護且需仔細閱讀說明。
使用膠水和油漆時，應遠離火源並打開窗戶保持空氣流通。
製作時請格外注意工具刀和零件的鋒利尖銳部分，避免對身體造成傷害。
在使用膠水和油漆前仔細閱讀注意事項，按照說明正確使用膠水和油漆。
請將本品放在兒童接觸不到的地方，套件中的塑膠包裝袋會對兒童造成窒息的危險。

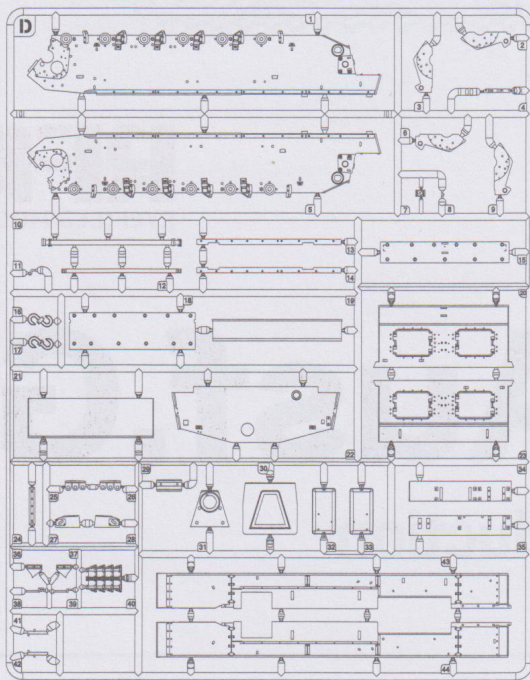
A x1



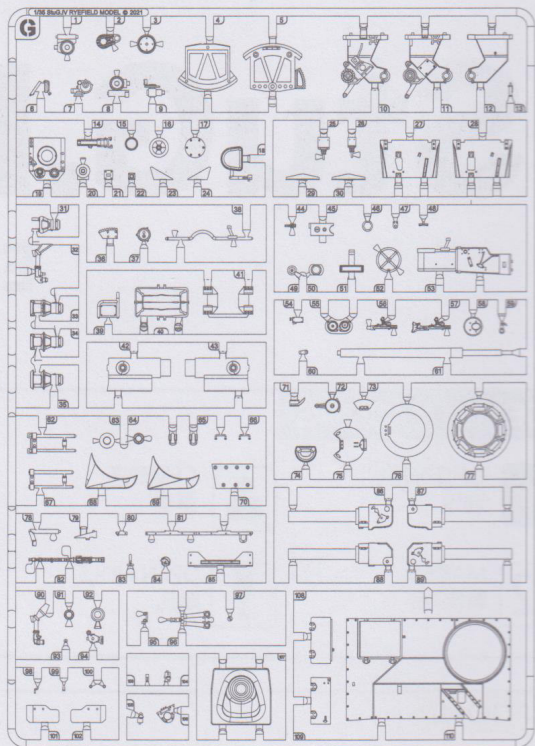
B x1



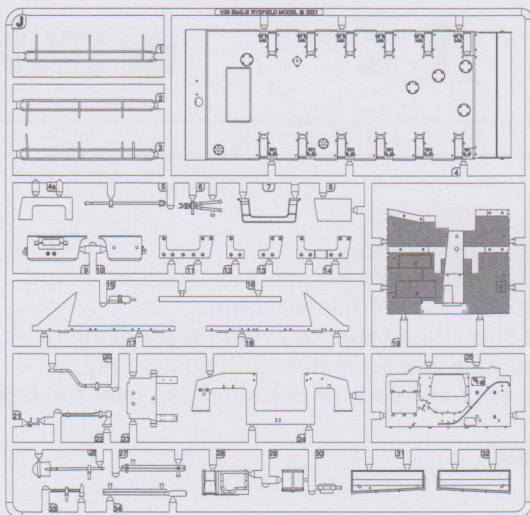
D x1



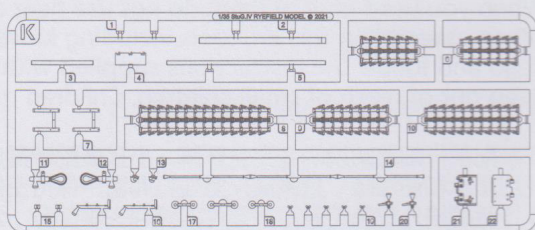
G x1



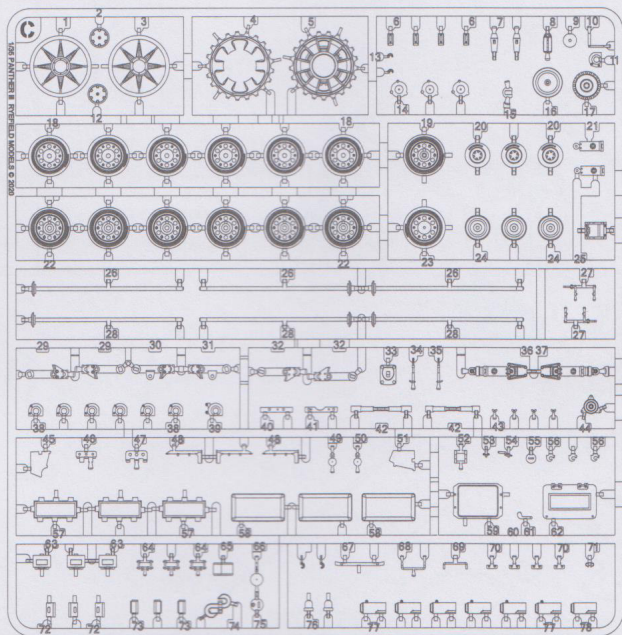
J x1



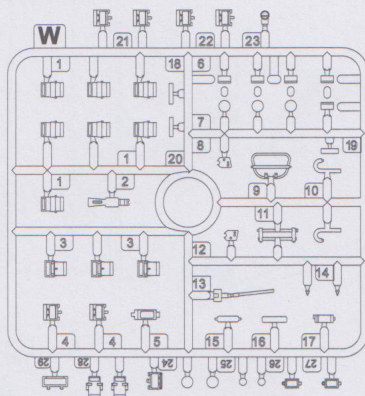
K x2



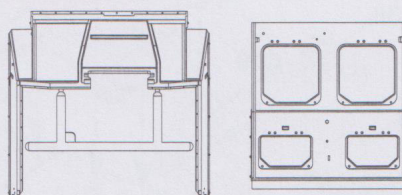
C x2



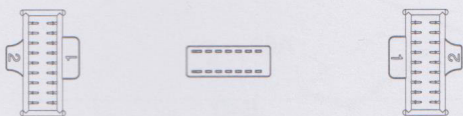
W x1



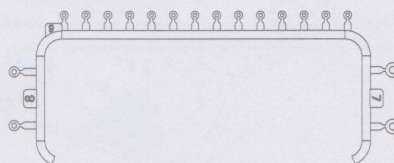
Lower Hull



Tracks x 216



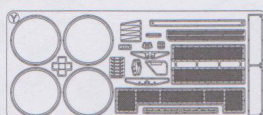
Poly Cap



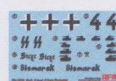
Cable 115mm x 2



Y x1



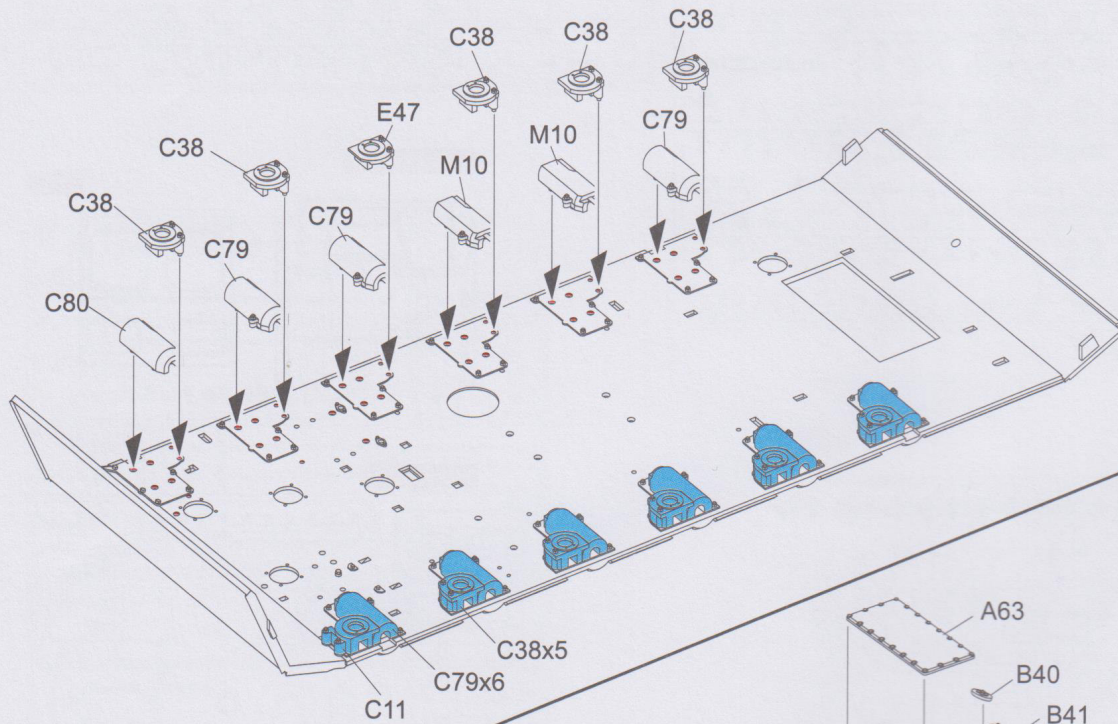
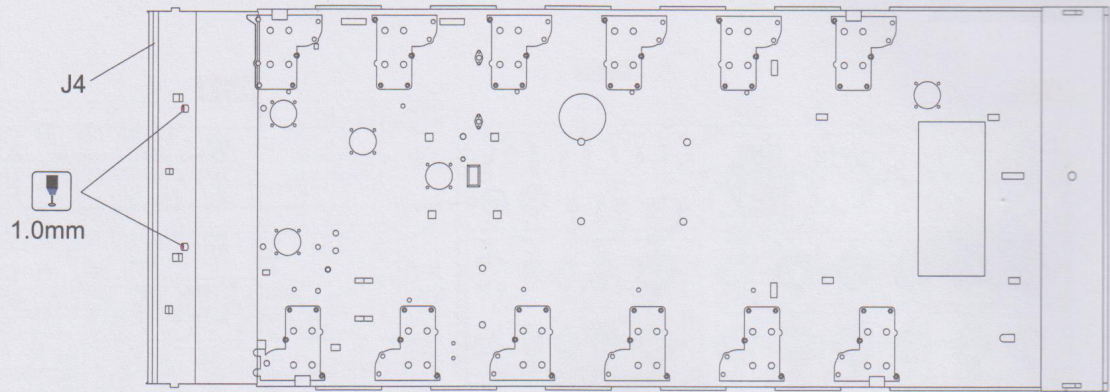
Decal



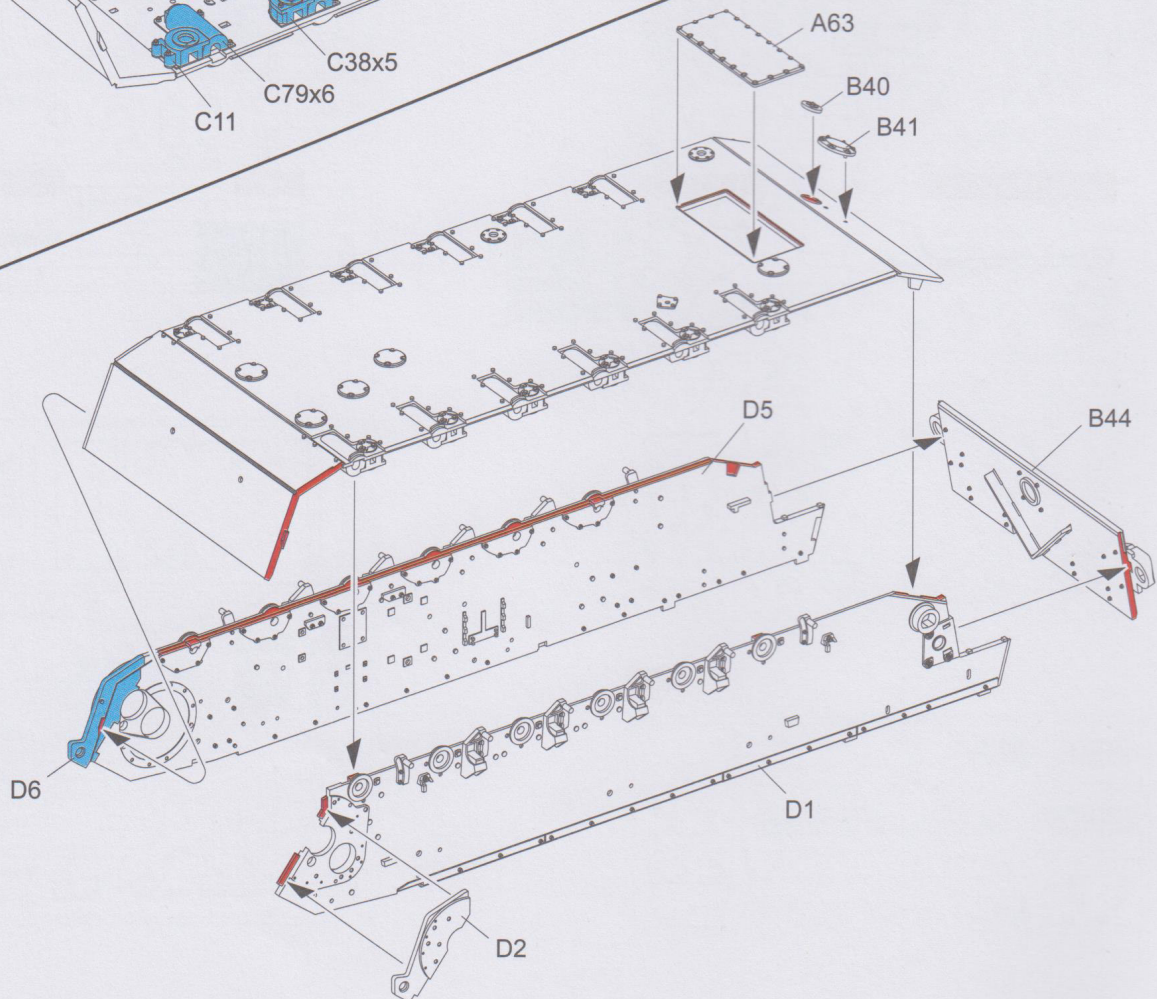
Spring



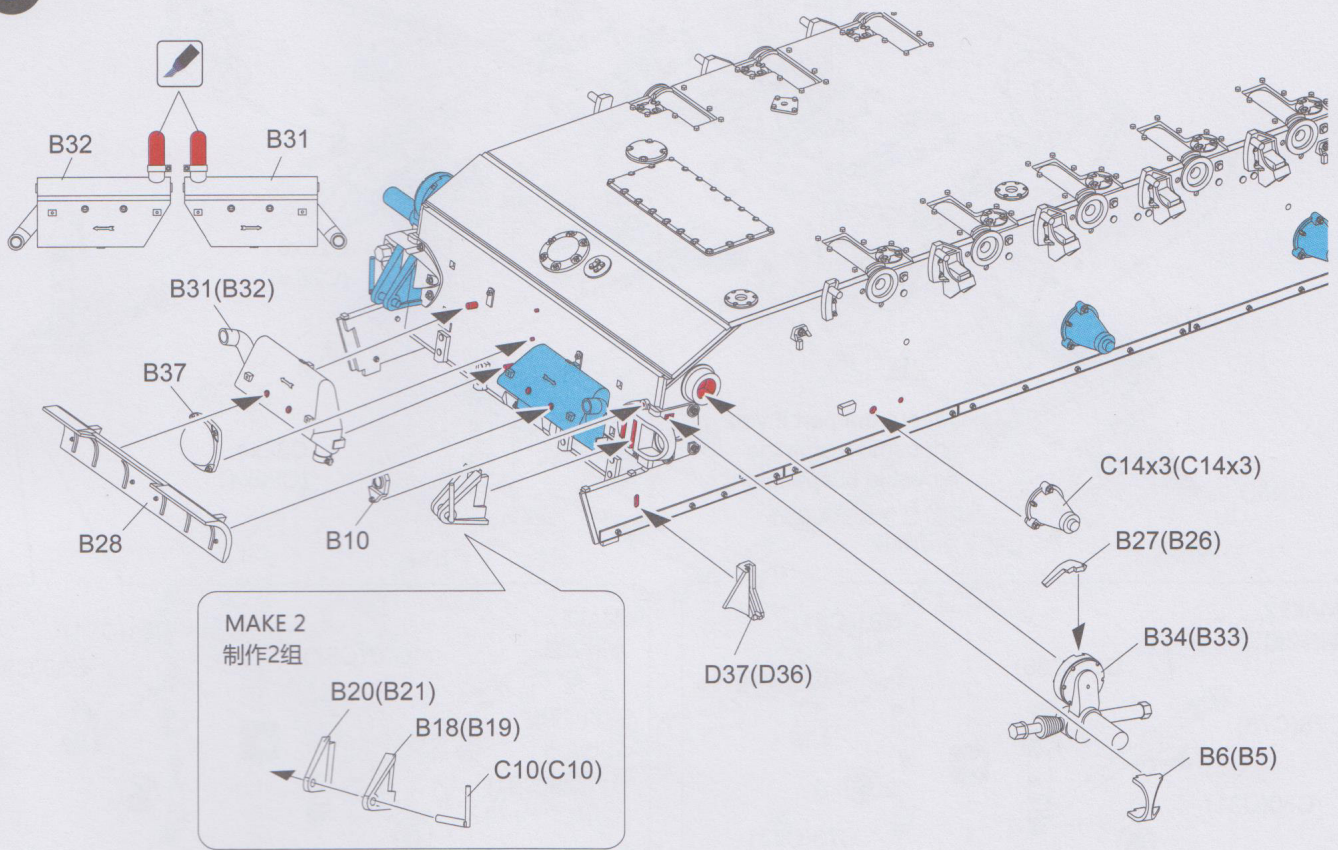
1



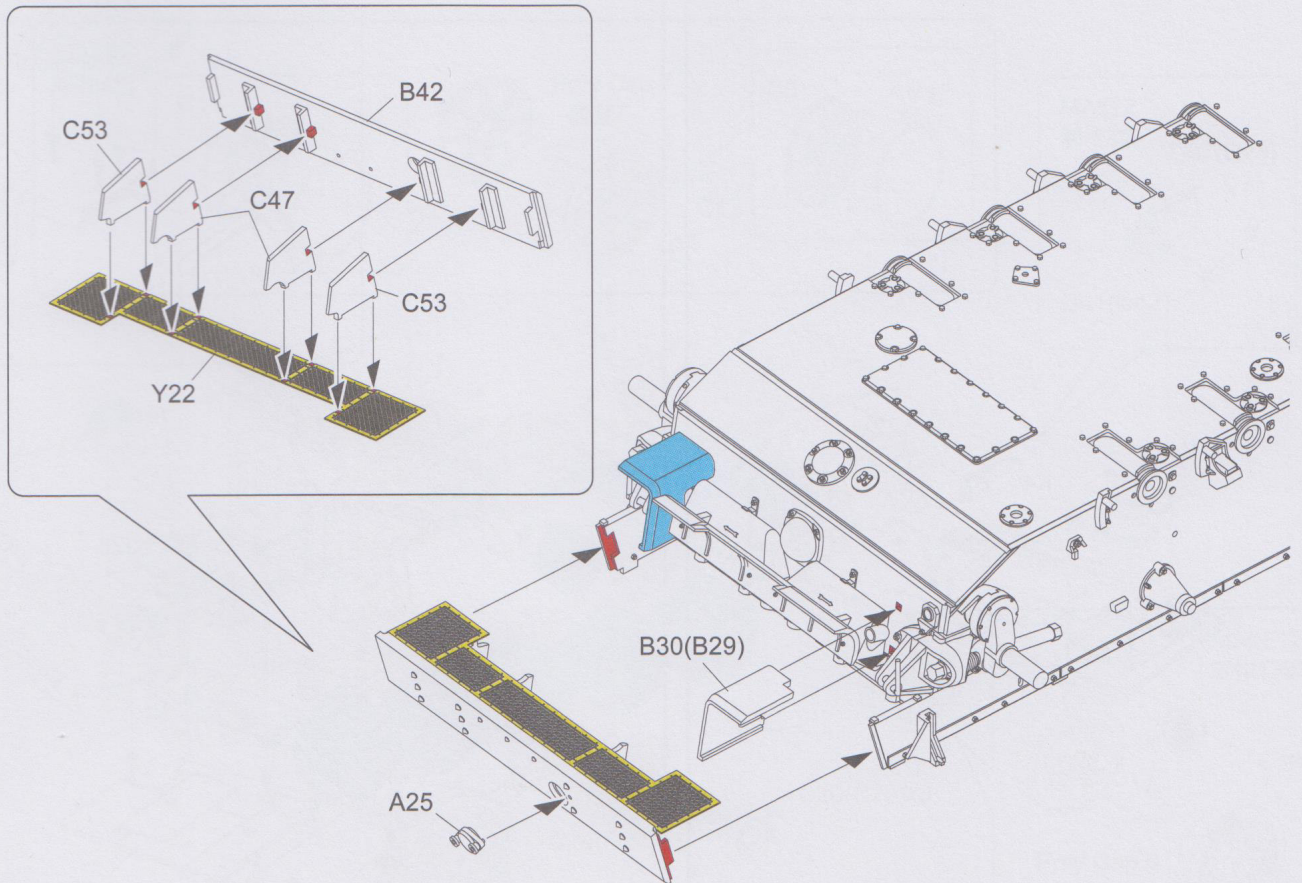
2



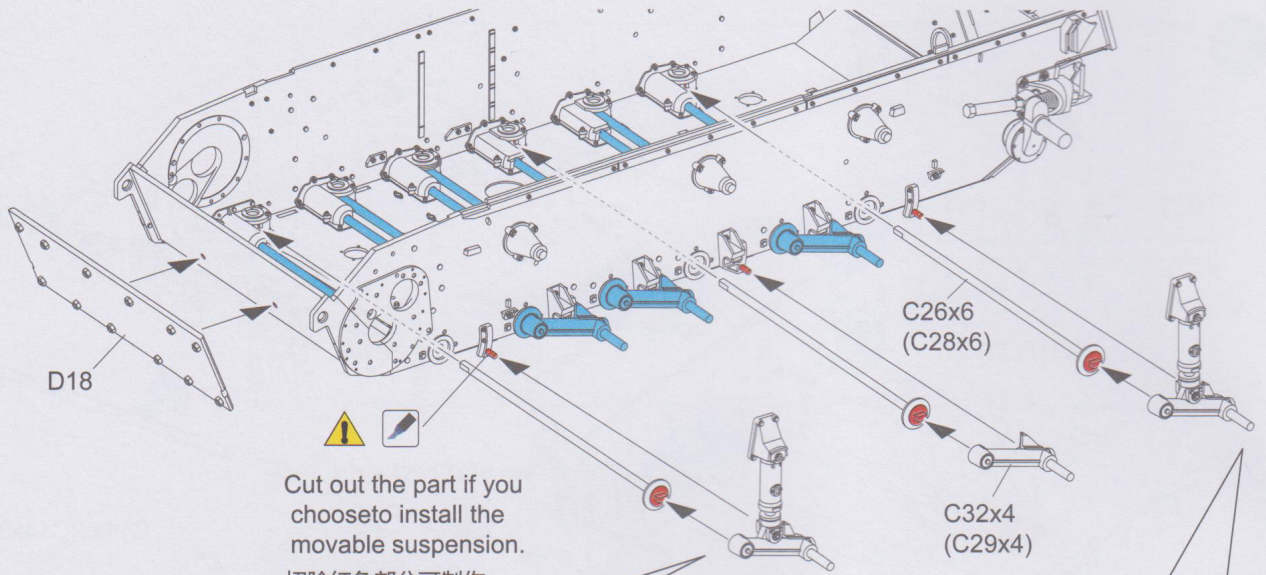
3



4



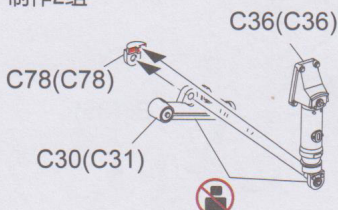
5



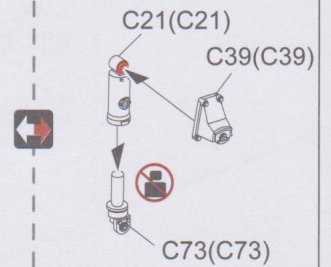
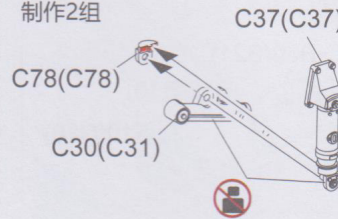
Cut out the part if you choose to install the movable suspension.

切除红色部分可制作活动悬挂

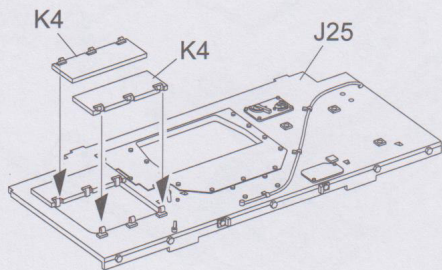
MAKE2
制作2组



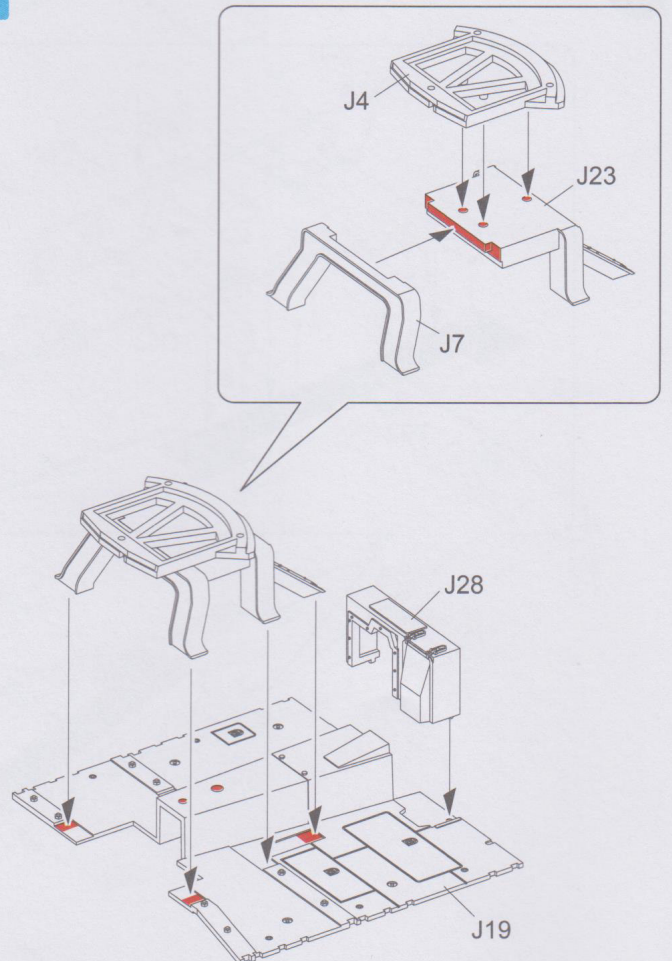
MAKE2
制作2组



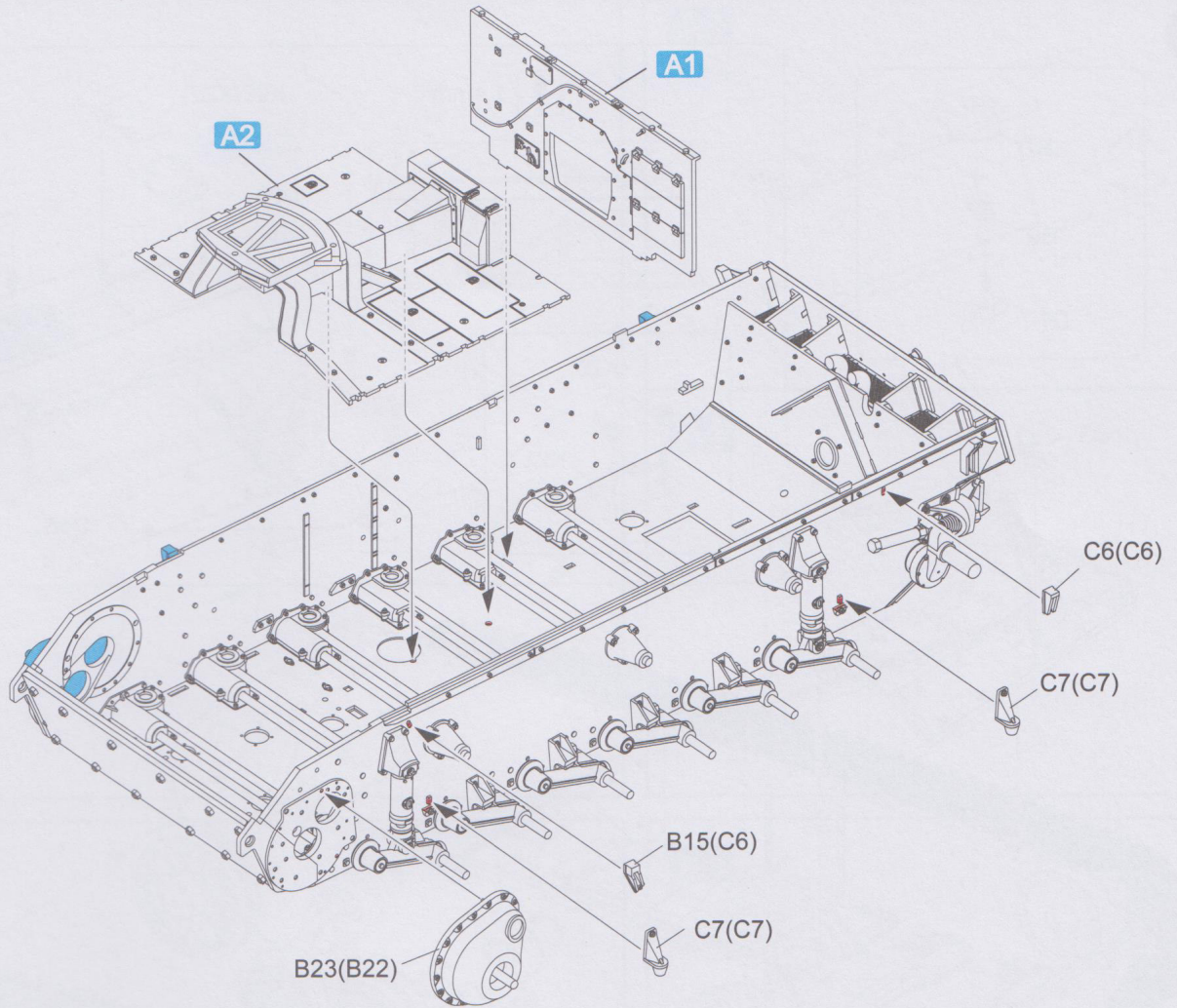
A1



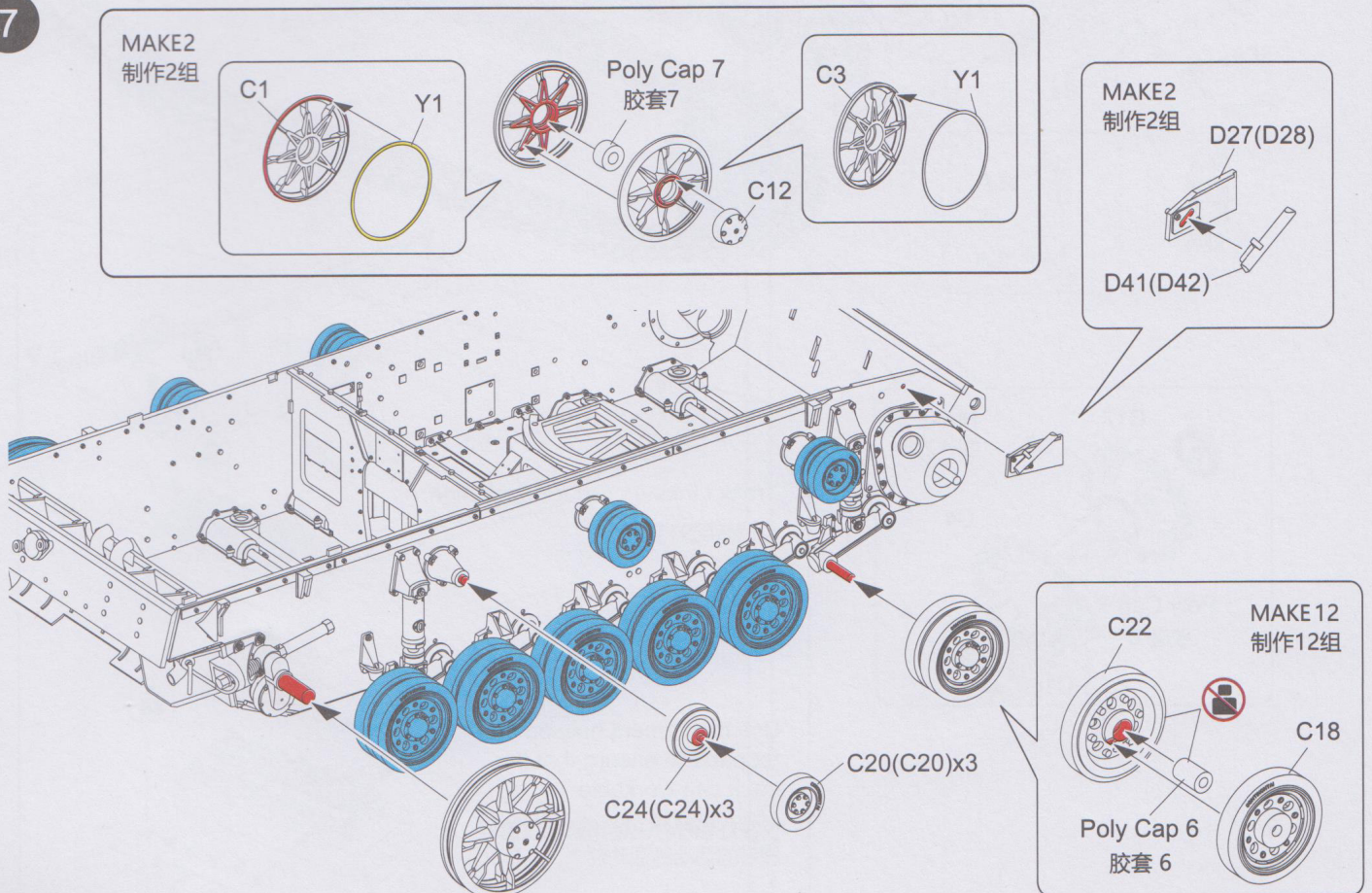
A2

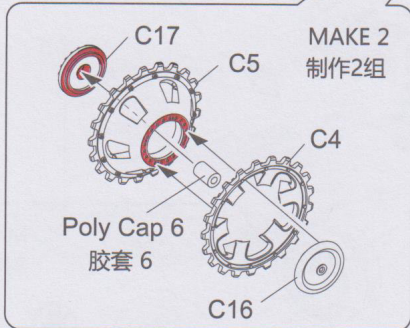
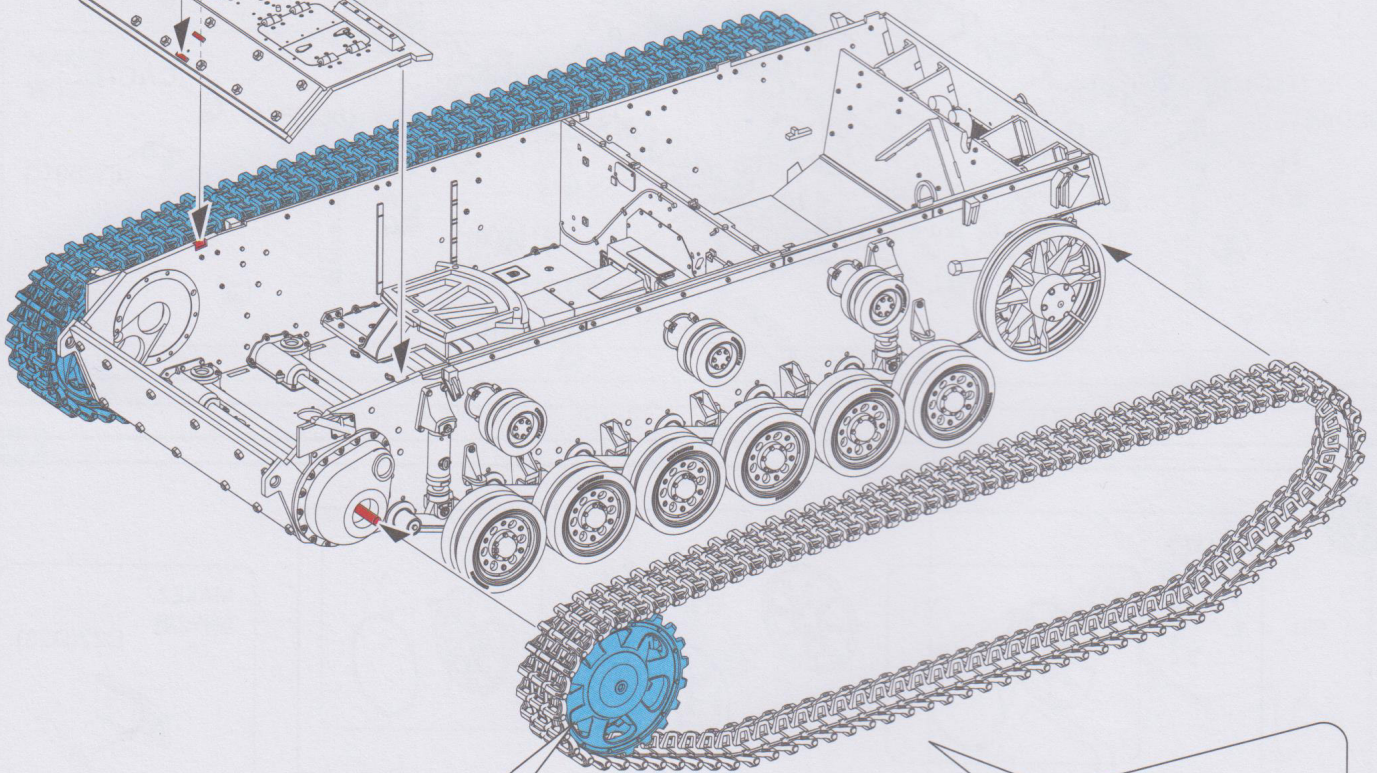
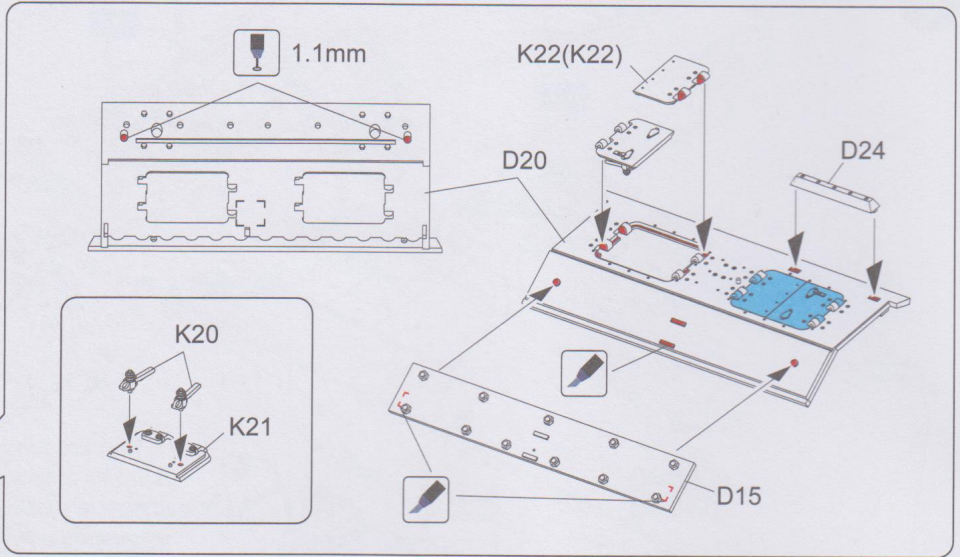
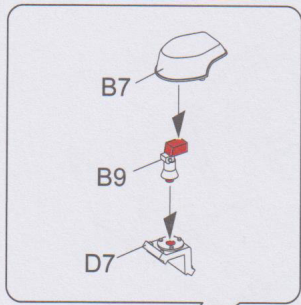


6



7

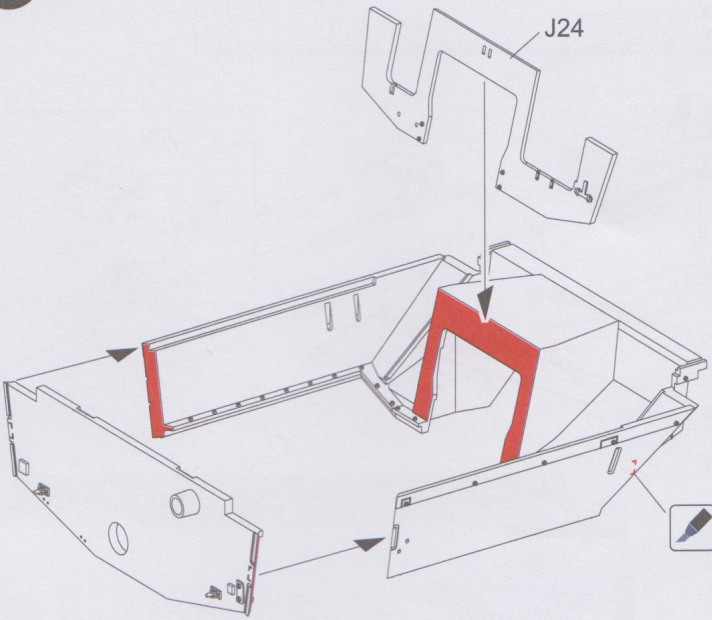




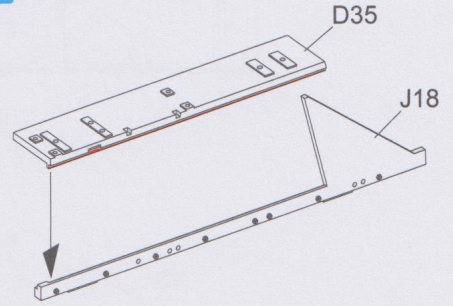
Track Links: 91 pcs for each side.
 每侧装配91节

Use the cement only on the red parts to ensure that the track can workable
 仅在红色部分上使用胶水以确保履带的活动的活动性

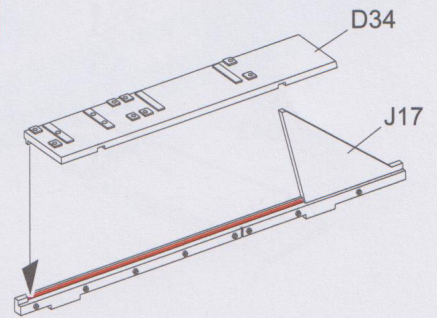
9



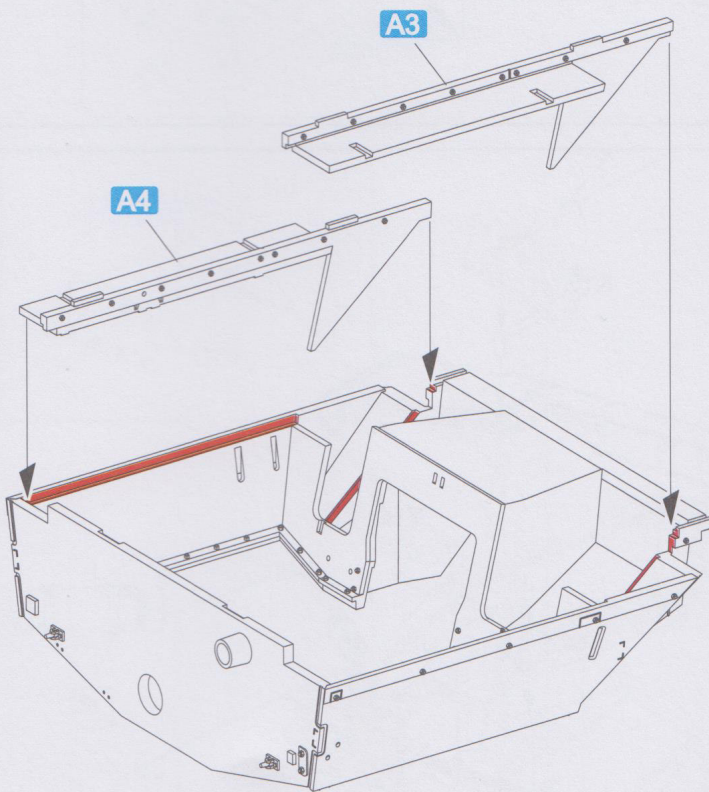
A3



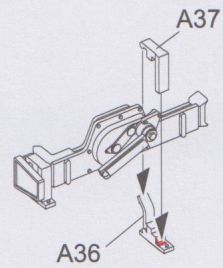
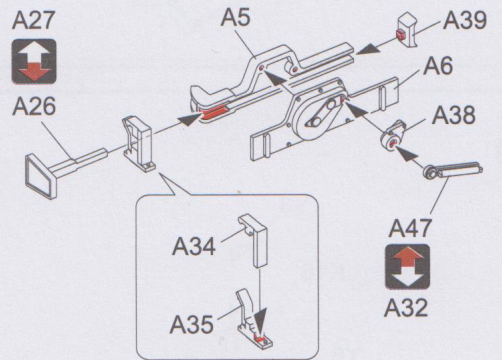
A4



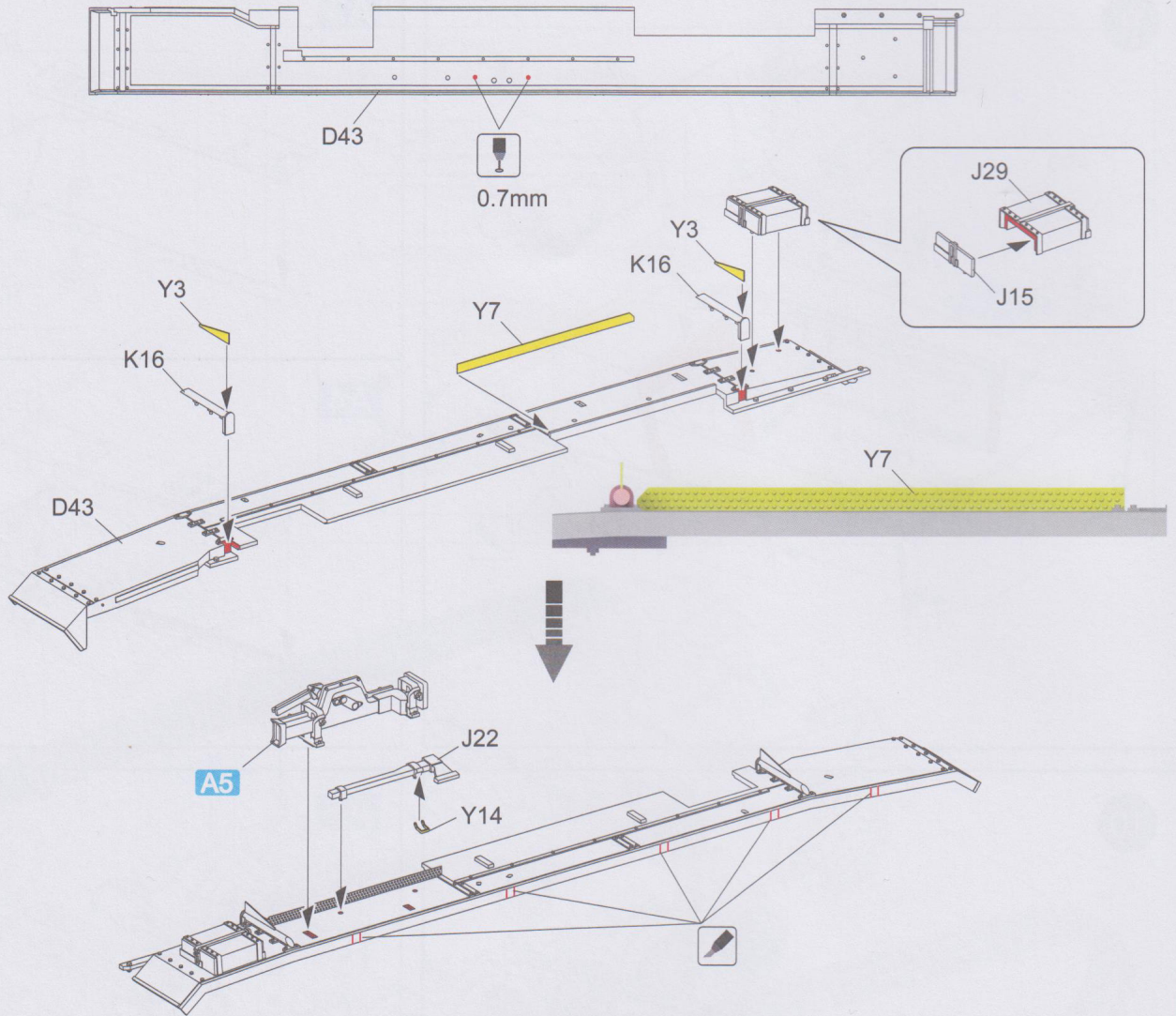
10



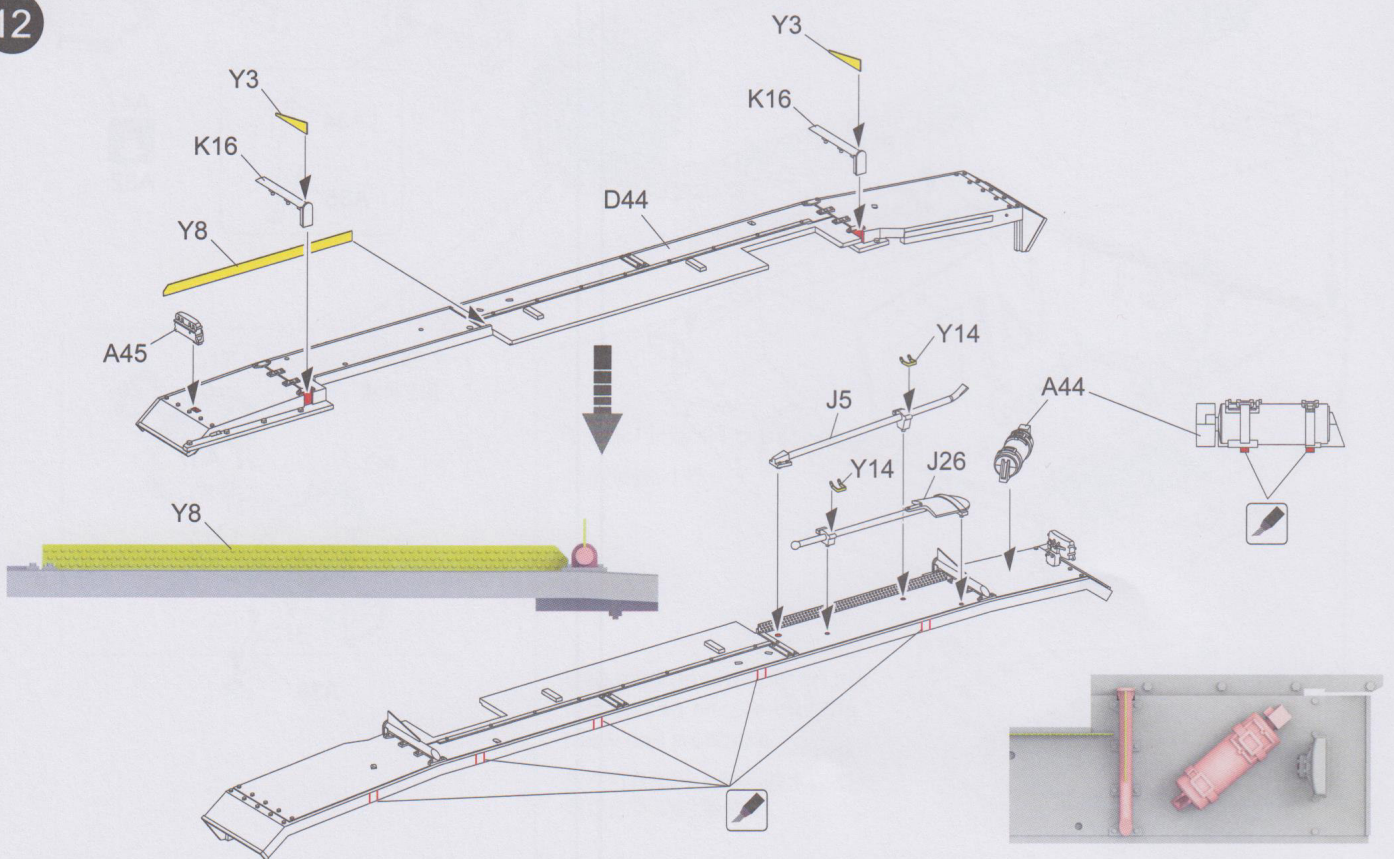
A5



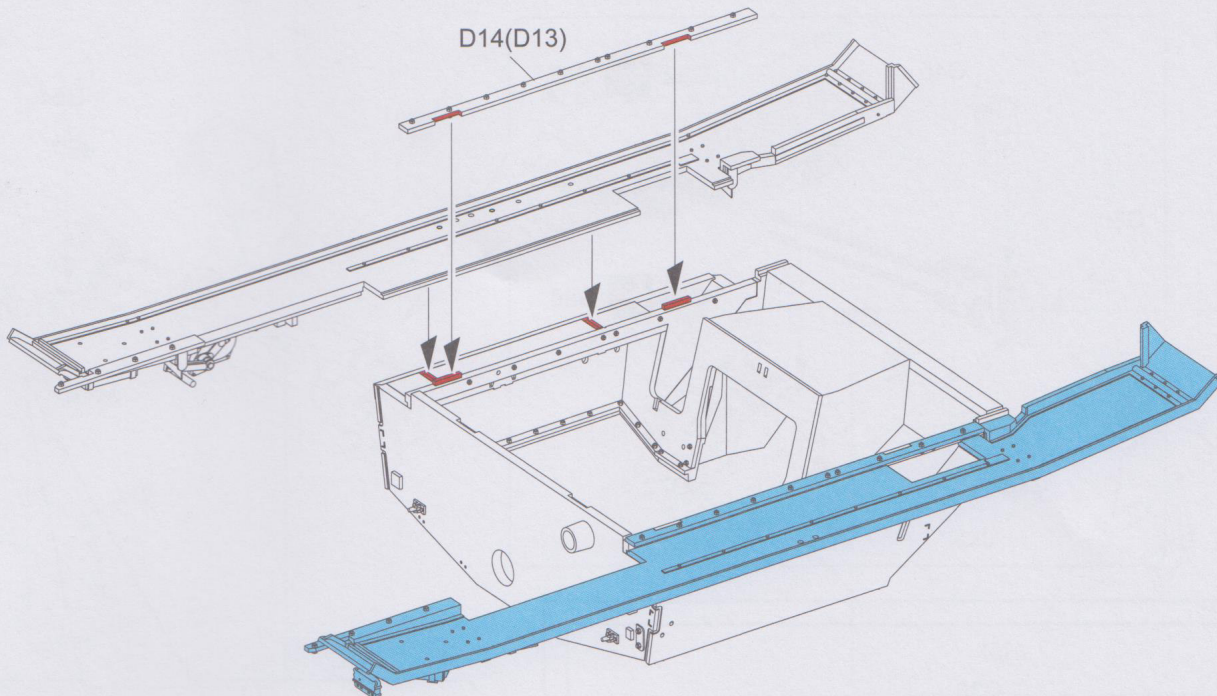
11



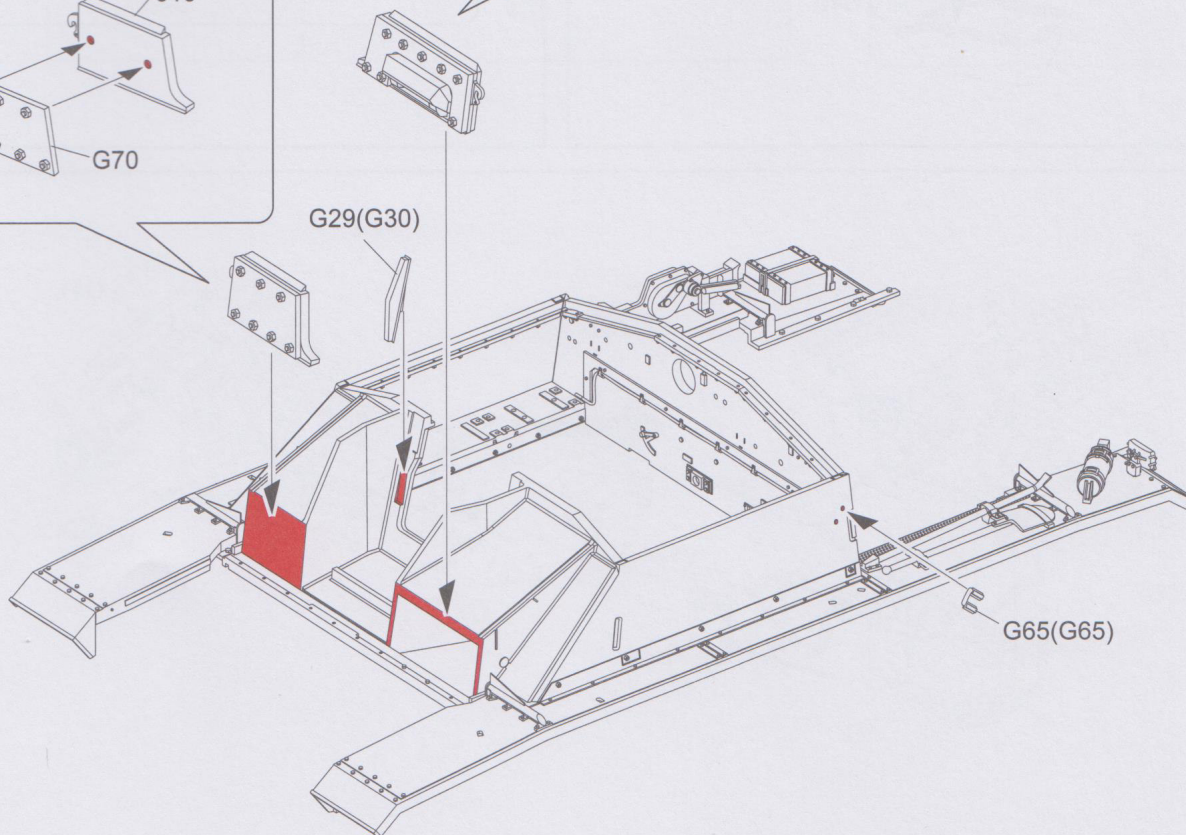
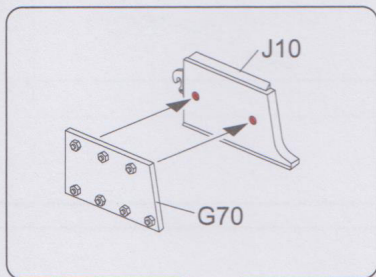
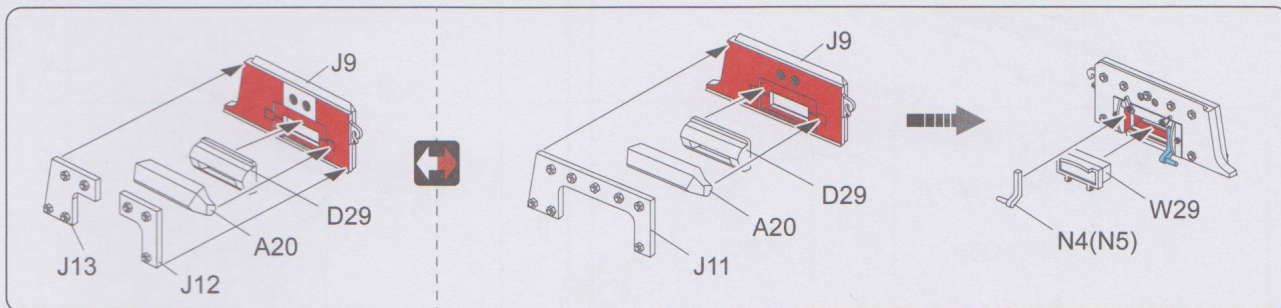
12



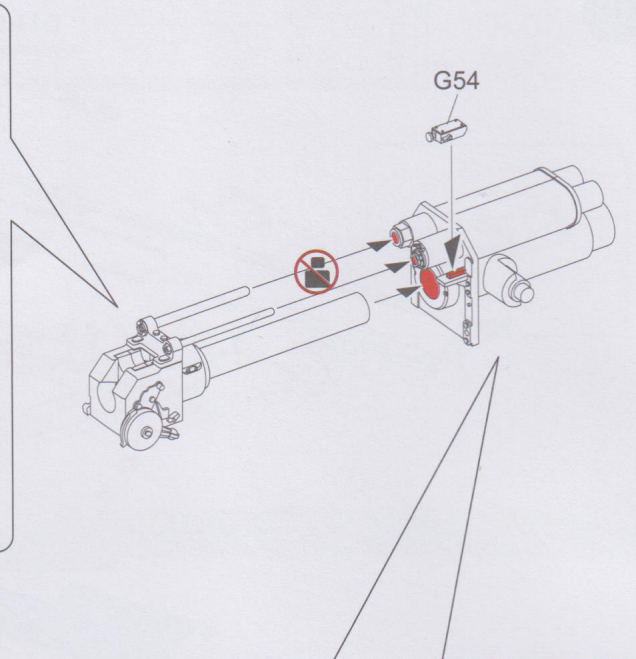
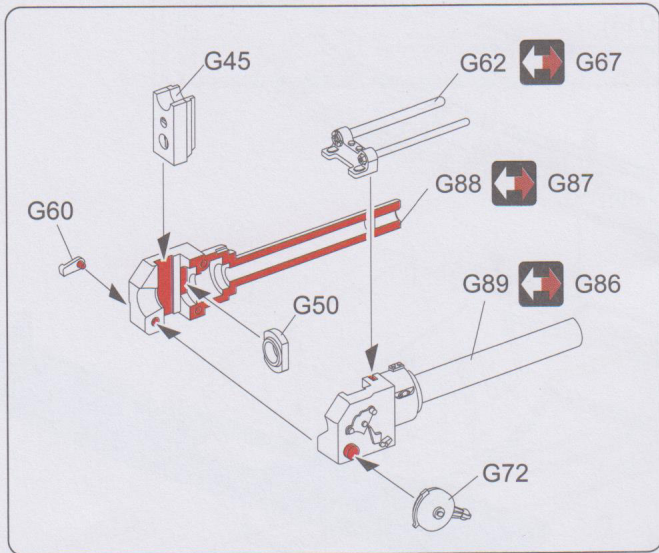
13



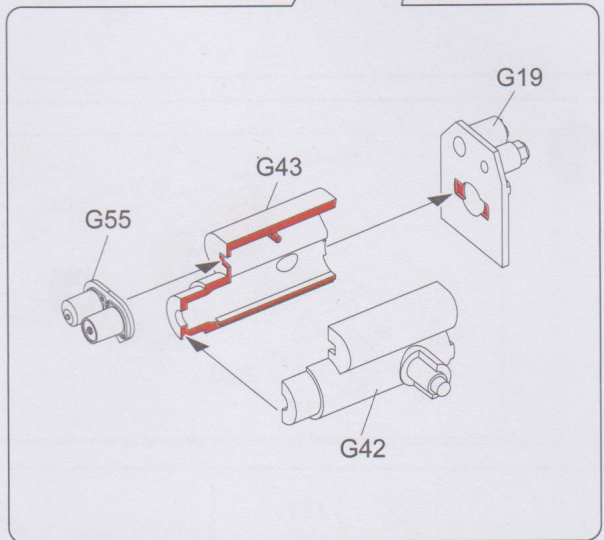
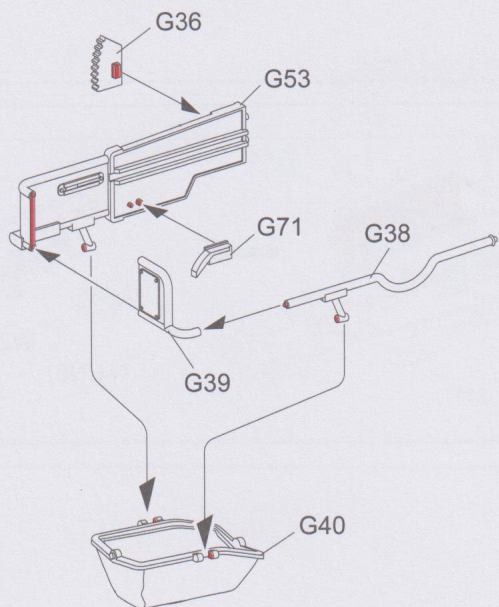
14



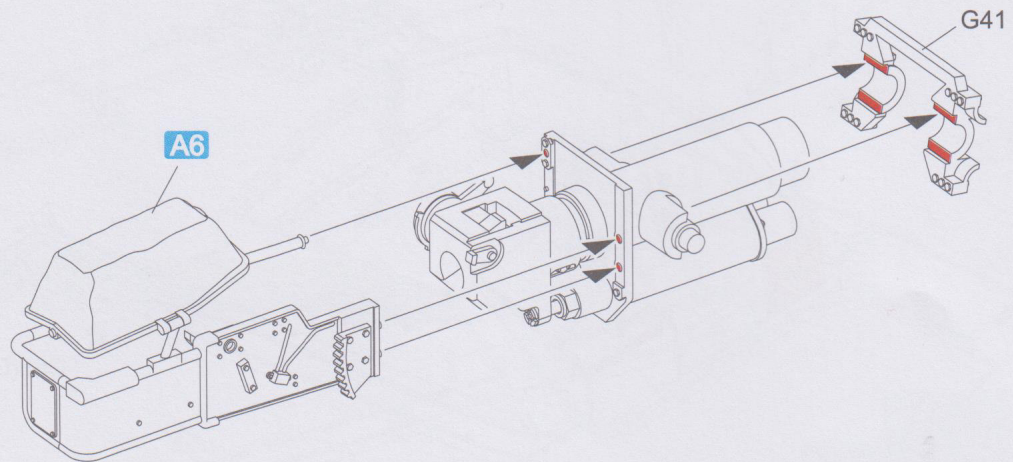
15



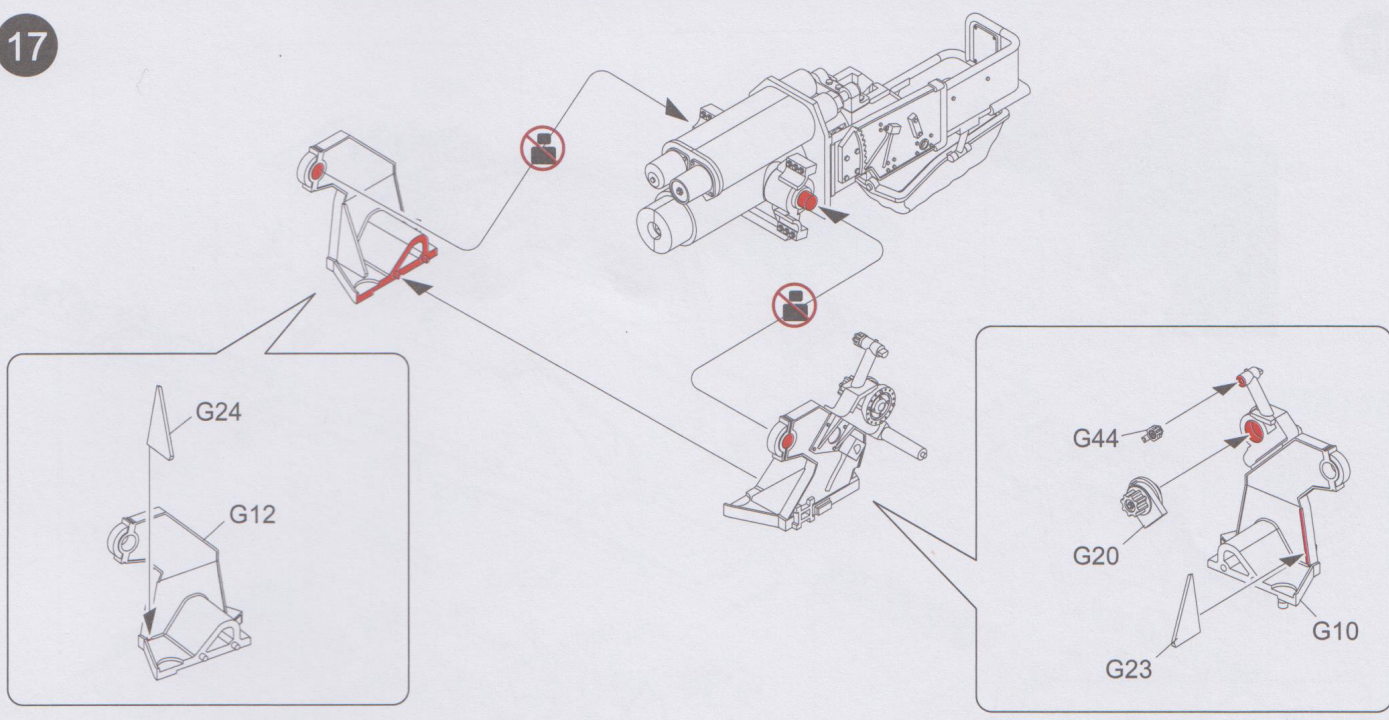
A6



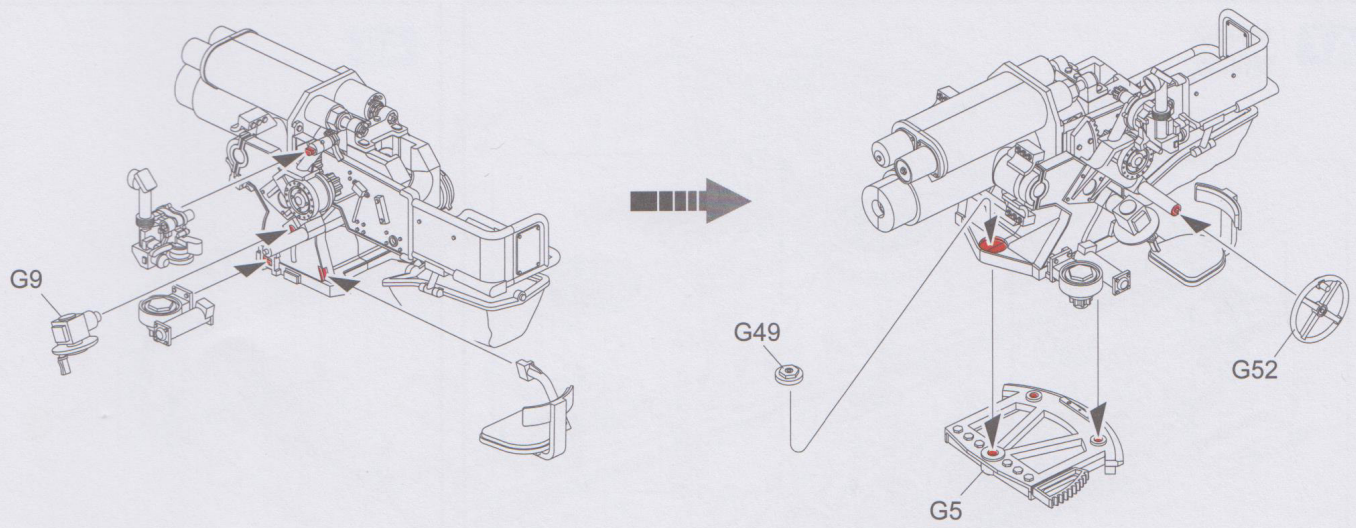
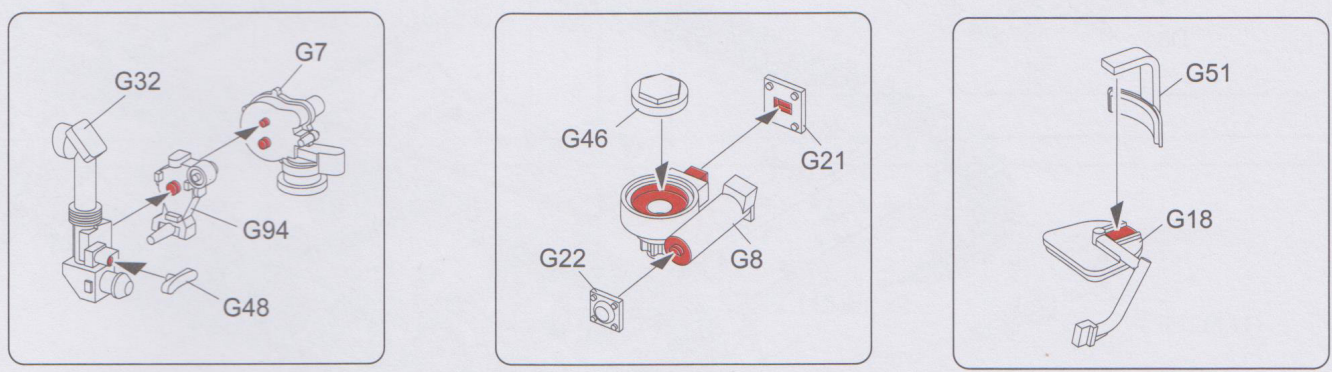
16



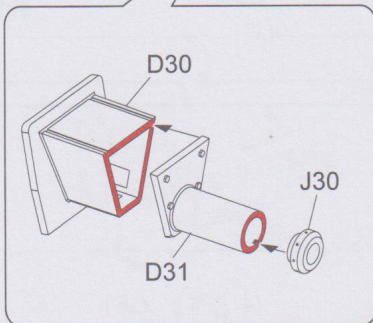
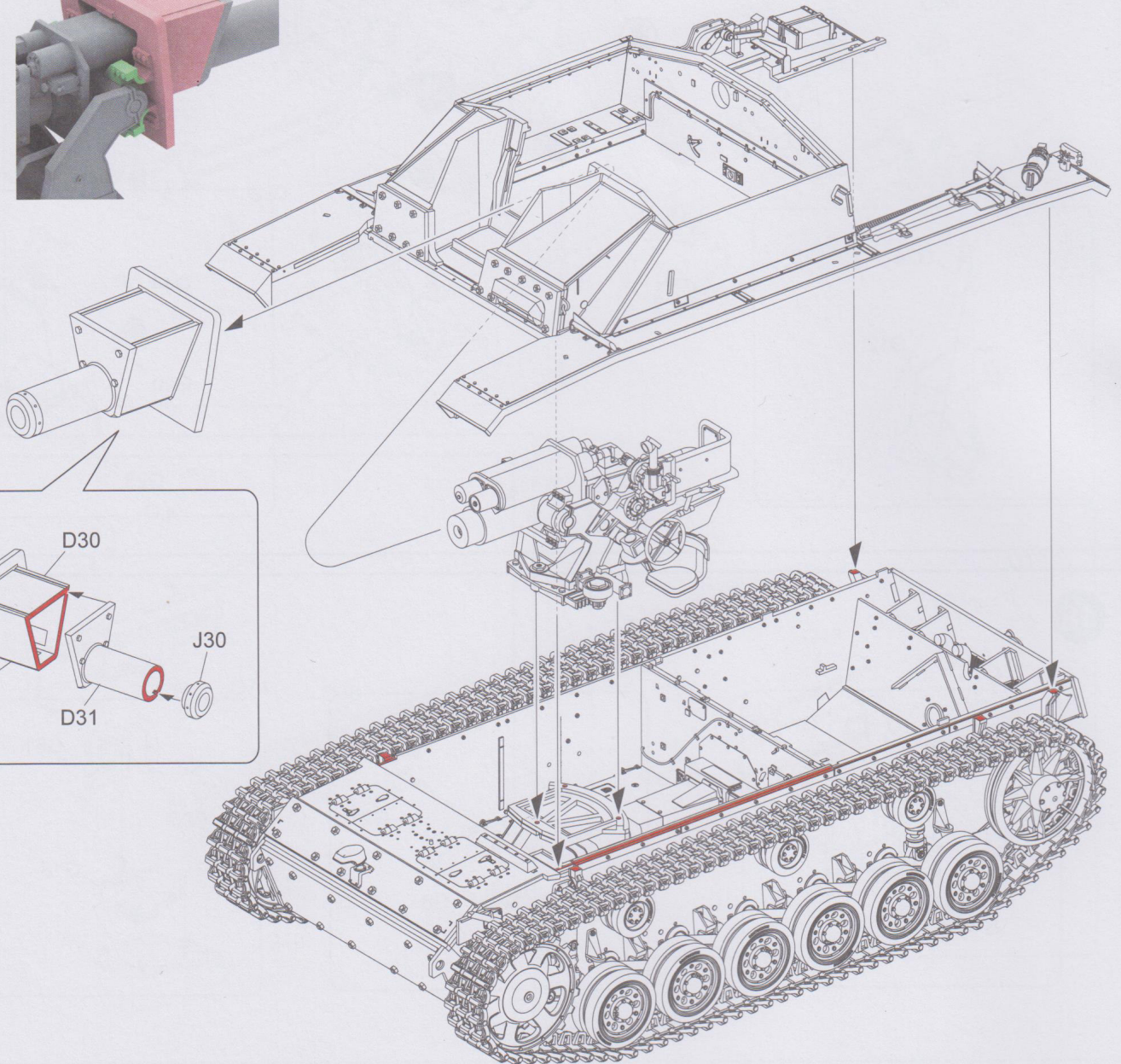
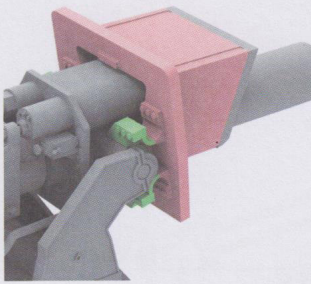
17



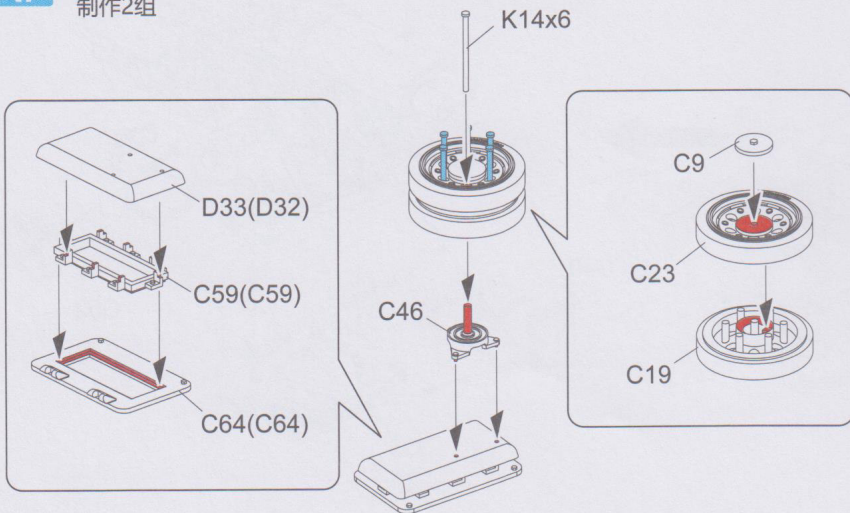
18



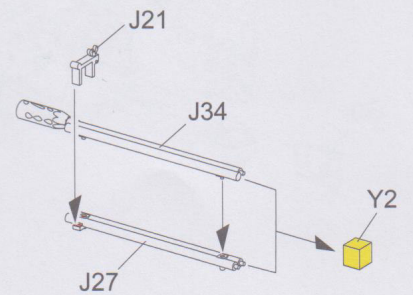
19



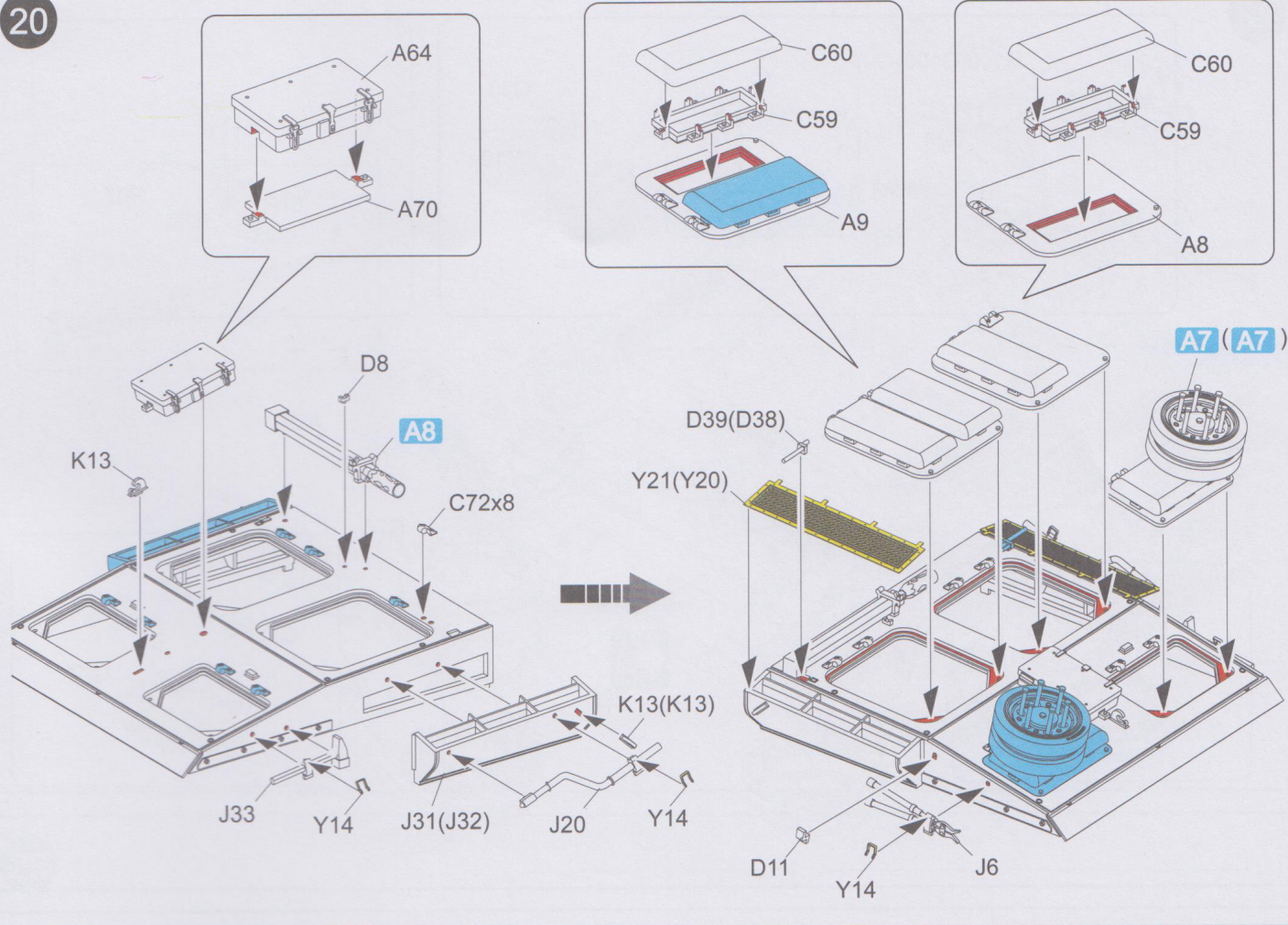
A7 MAKE2
制作2组



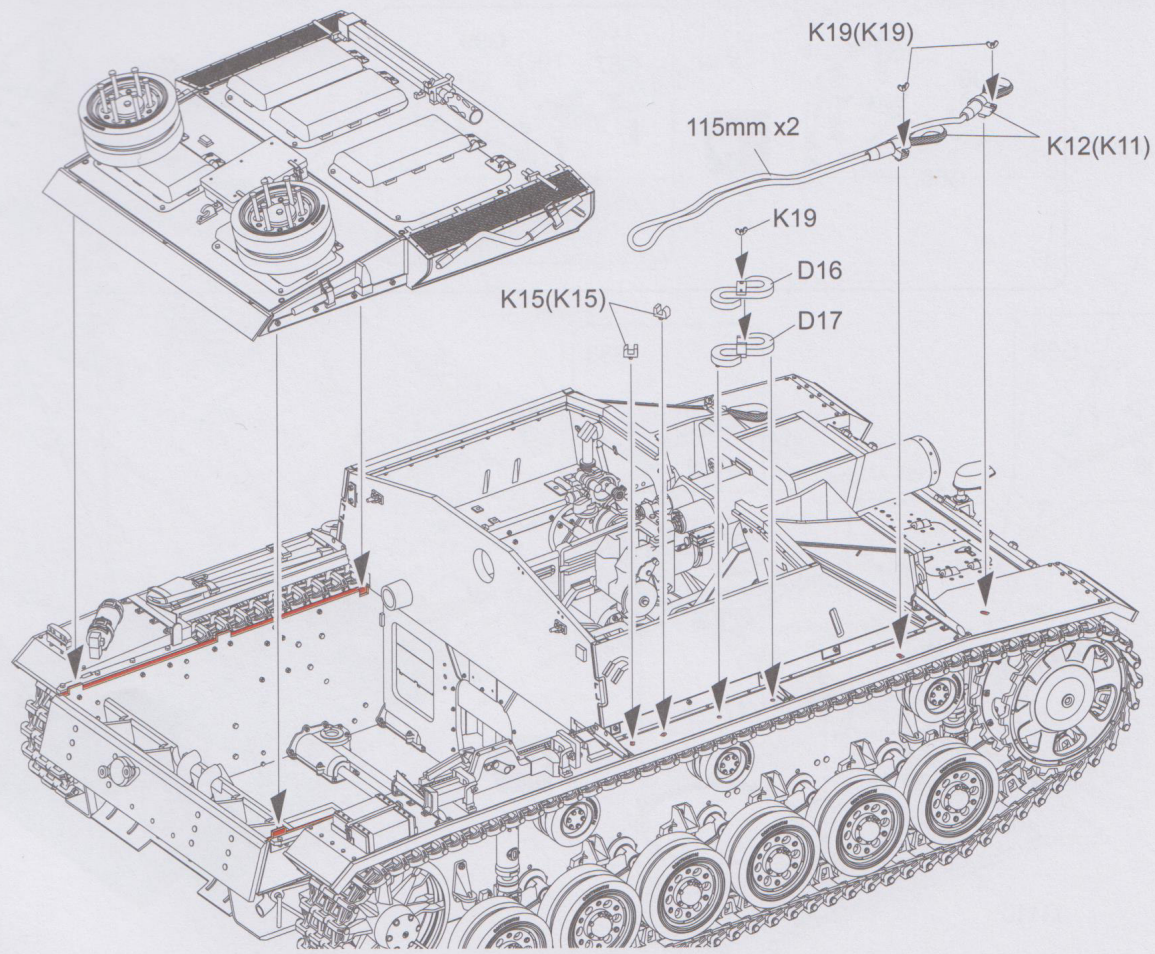
A8



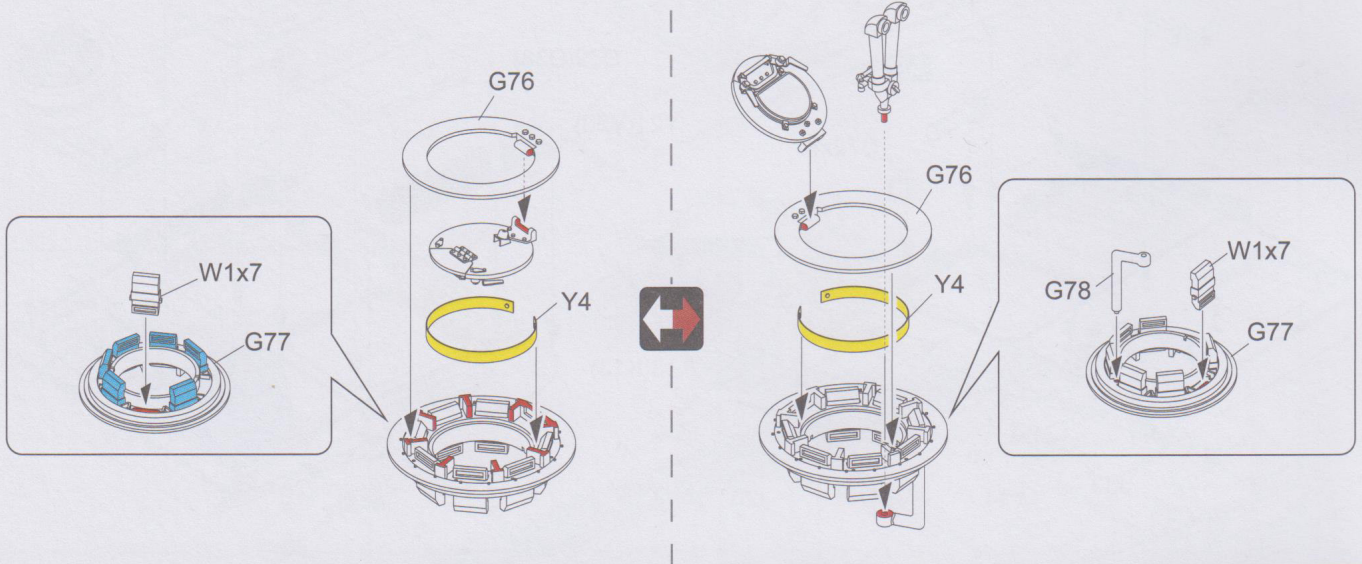
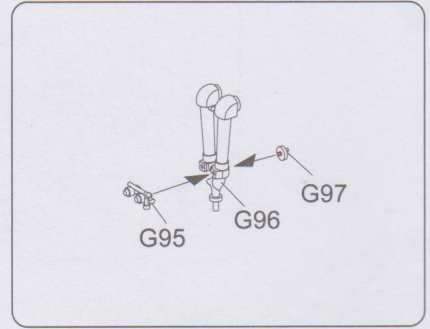
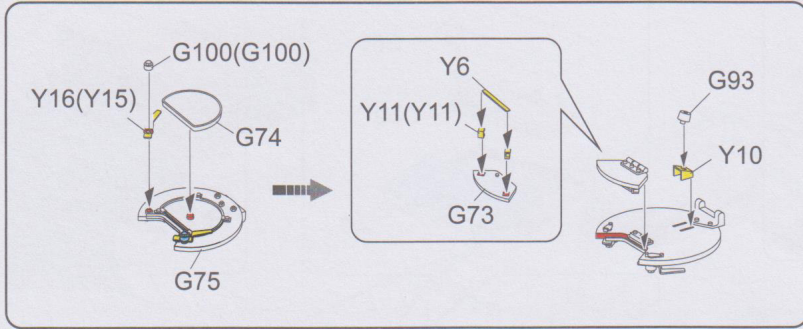
20



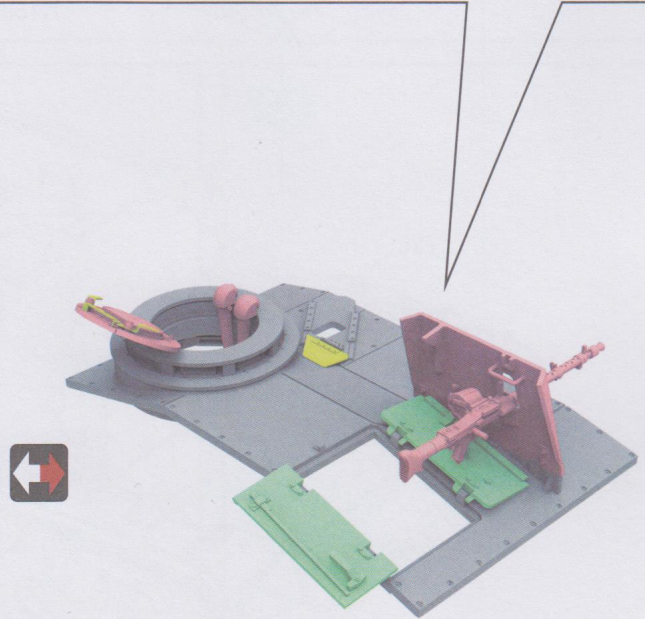
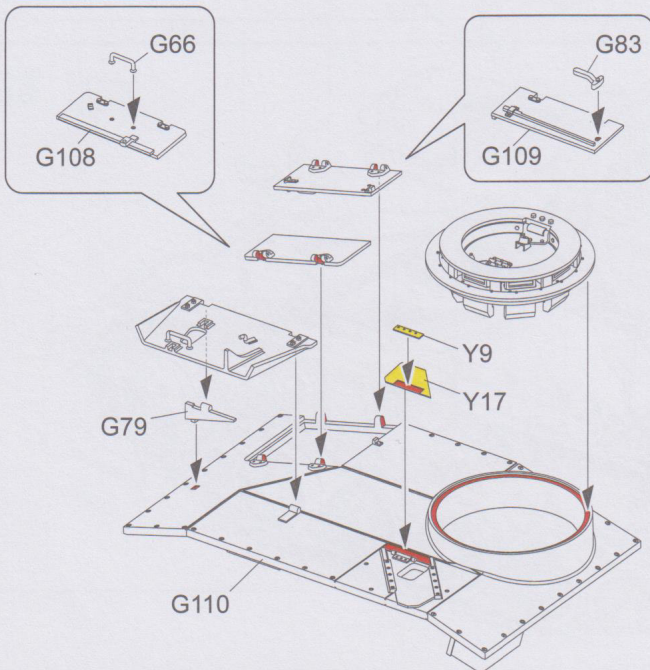
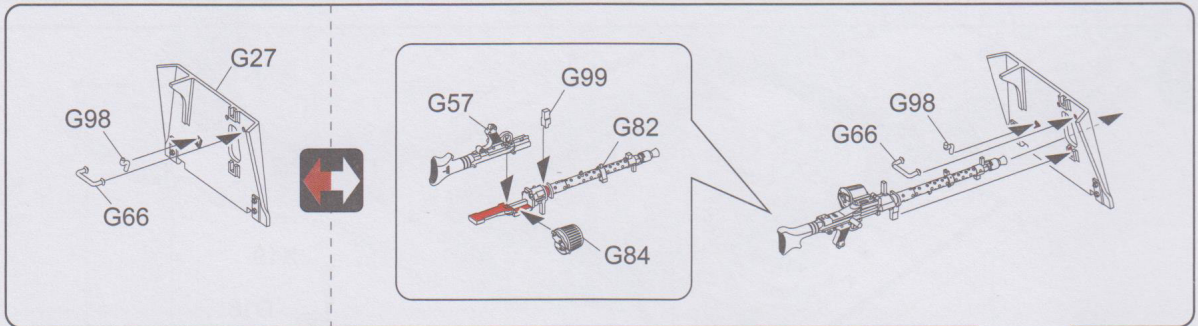
21



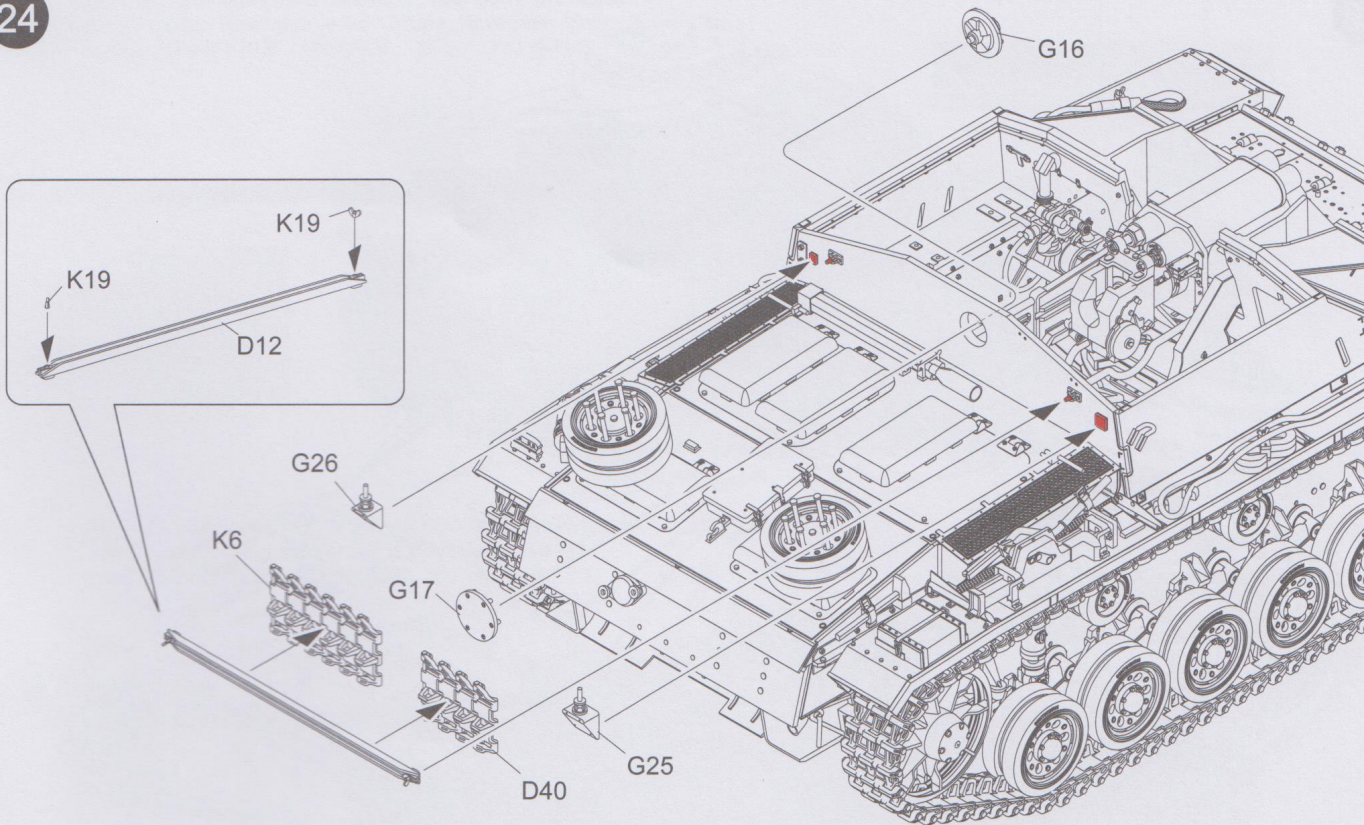
22



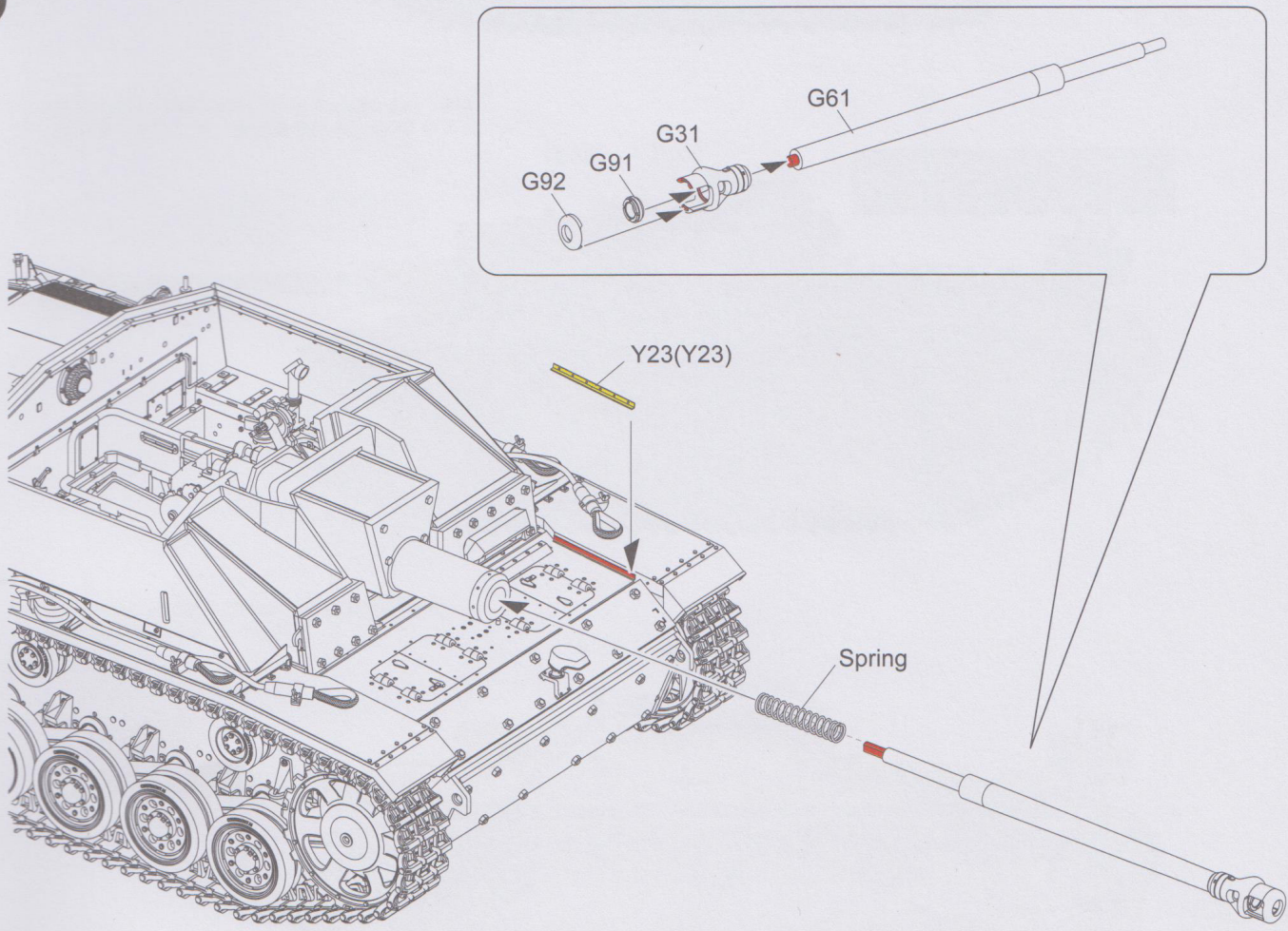
23

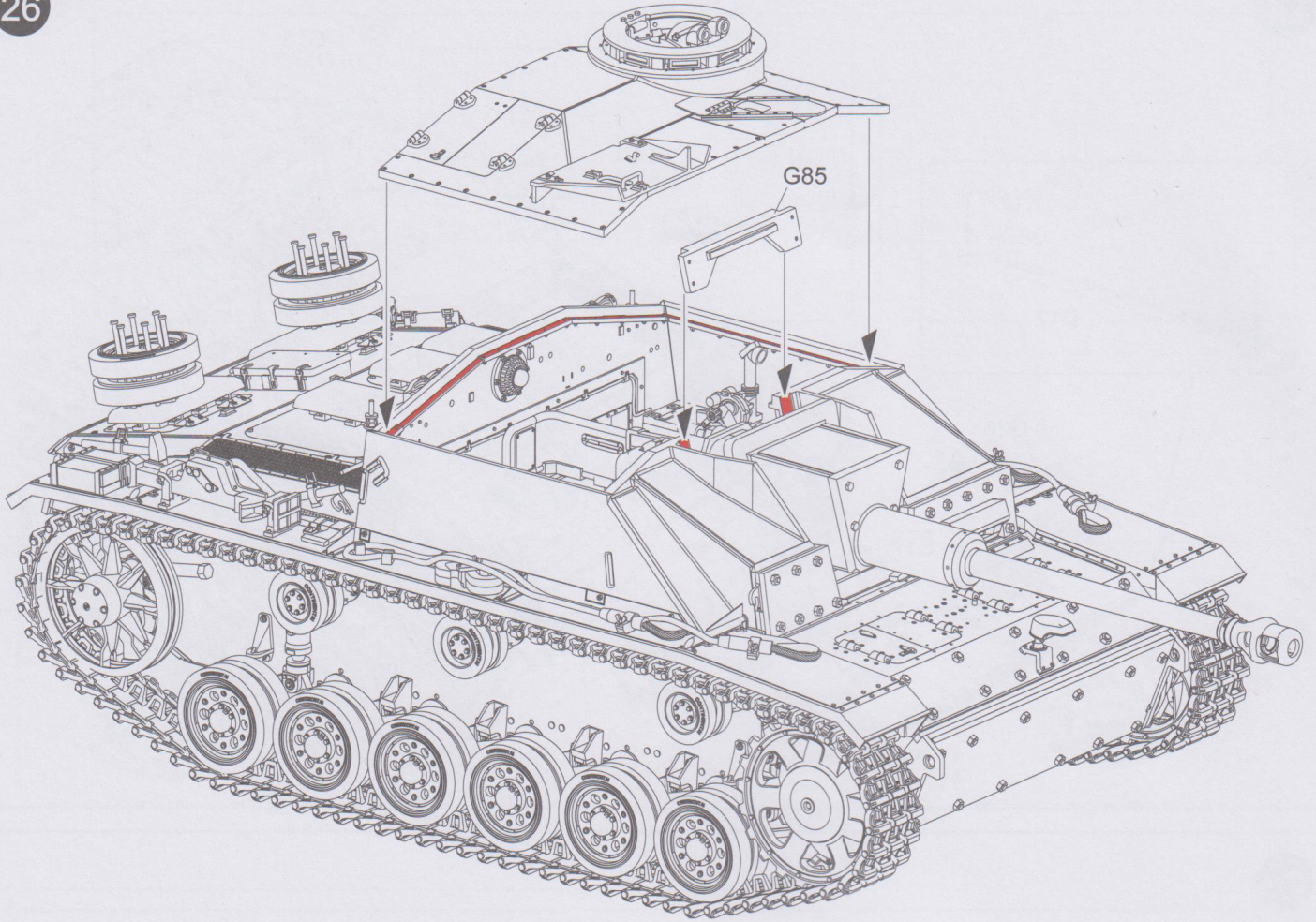


24

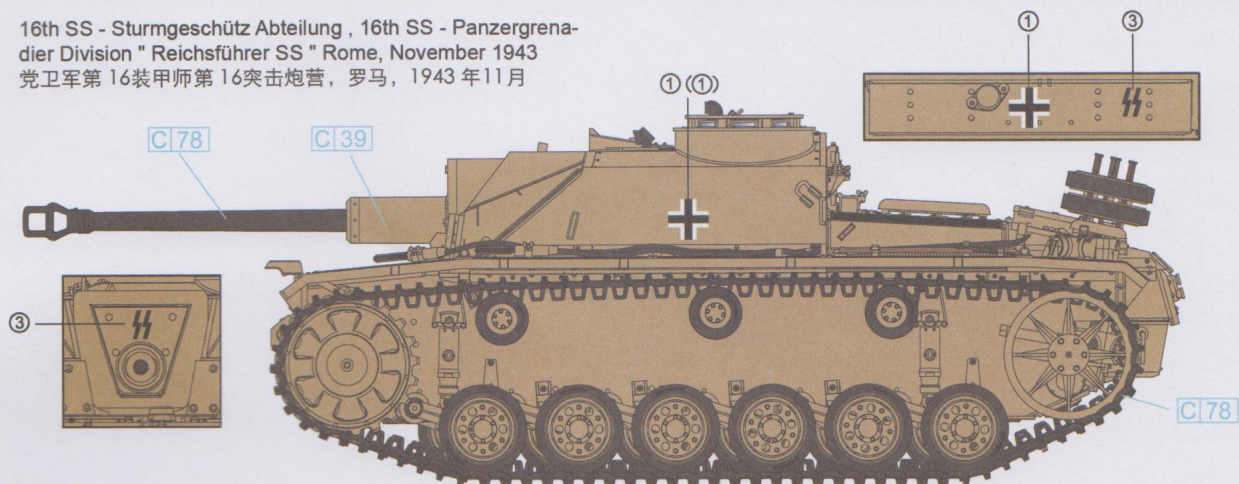


25

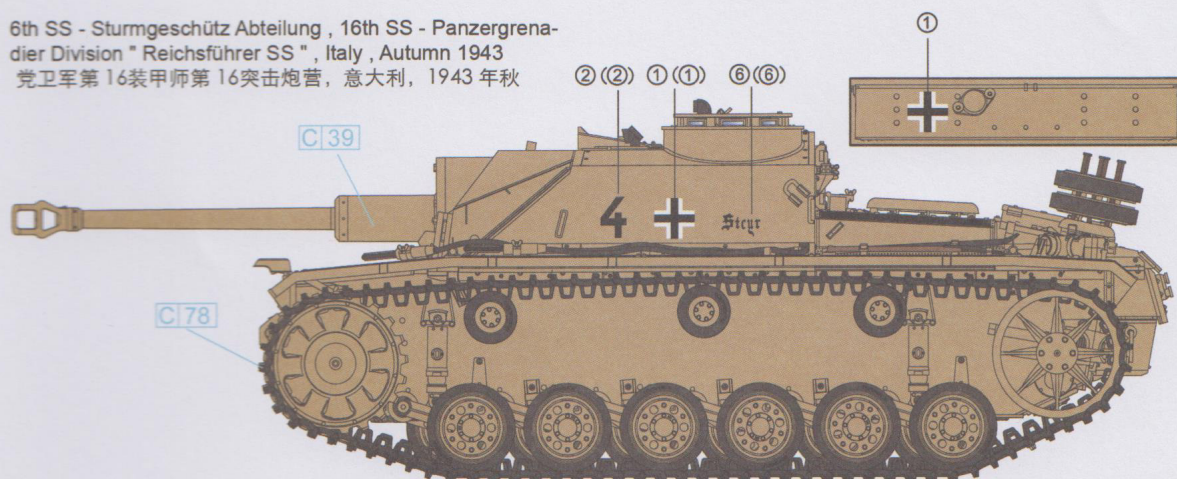




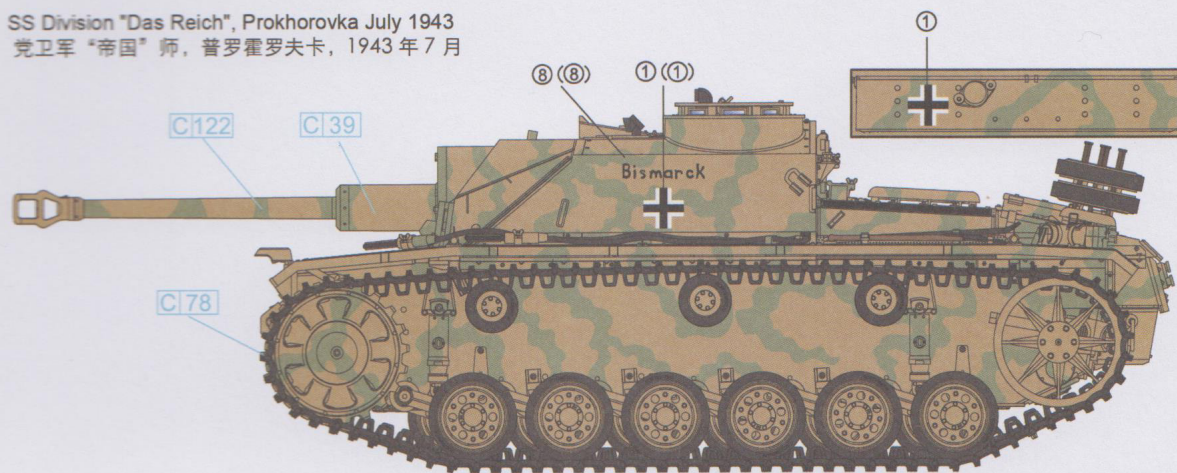
16th SS - Sturmgeschütz Abteilung , 16th SS - Panzergrenadier Division " Reichsführer SS " Rome, November 1943
 党卫军第16装甲师第16突击炮营, 罗马, 1943年11月



6th SS - Sturmgeschütz Abteilung , 16th SS - Panzergrenadier Division " Reichsführer SS ", Italy, Autumn 1943
 党卫军第16装甲师第16突击炮营, 意大利, 1943年秋



SS Division "Das Reich", Prokhorovka July 1943
 党卫军“帝国”师, 普罗霍罗夫卡, 1943年7月



3. Panzer-Division."Totenkopf".Ukraine 1944
 第三装甲师, 乌克兰, 1944年

