

1:35 SCALE

ITEM NO.:00382

# Polish PT-76B Amphibious Tank

## 波兰 PT-76B型 水陆坦克



### READ BEFORE ASSEMBLY:

- Study and understand these instructions thoroughly before beginning assembly
- When needed, remove photo-etch parts carefully using a modeling knife or photo etch sprue cutter, being careful not to damage or lose small parts.
- Take extra care in handling photo etch parts in order to avoid injury
- Apply instant cement sparingly to photo etch parts where instructed
- Tools recommended(not included in kit):Plastic and instant cements, sprue cutters,long nose pliers,modeling knife, small files, tweezers, pin vise & scissors. Soft cloth and sandpaper will also assist in construction
- Glue and paint are not included in the kit. Use plastic cement and hobby paints only. Color guide for purchasing paint is included in the kit.

### 装配之前仔细阅读

- 小心用模型锉刀锉平所有零件表面的注射浇口。
- 小心用刀片切下蚀刻片零件，不要遗失小零件。
- 用强力快干胶水粘合蚀刻片零件和金属轴。过量快干胶水使用可能导致可动零件会粘住，小心涂胶。
- 取蚀刻片时应特别注意安全，防止利边划伤手指。
- 某些零件表面需贴水贴纸，请选择在装配的同时进行。
- 推荐模型工具(自备)：胶水，水口剪刀，长咀钳，刀片，锉刀，镊子，钳，钻，剪刀，瞬间快干胶。
- 软布同砂纸同时也应该是必备工具。
- 请使用塑料胶水和油漆，模型内不含。



贴纸  
Decal



锉平  
File / Sand



选择  
Option



不涂胶水  
No cement



弯曲  
Bend



使用强力胶  
Cyanoacrylate glue



配重  
Weight



钻孔  
Make hole



切除  
Cut / Remove

### 水贴纸的使用:

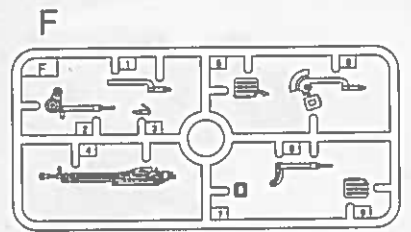
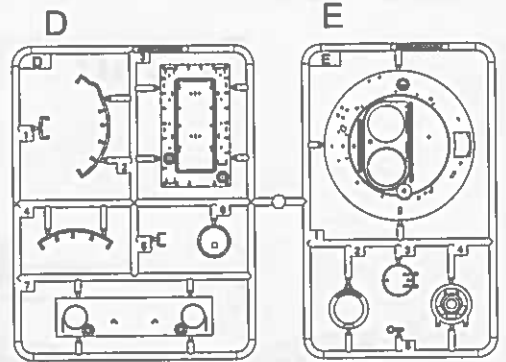
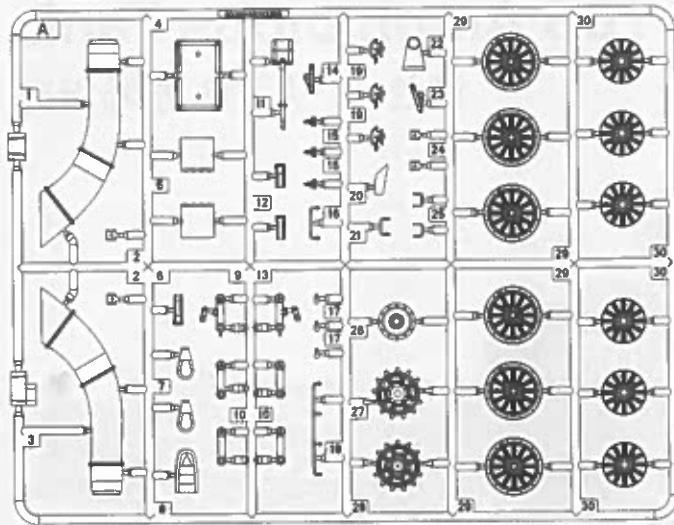
1. 从水贴纸上剪下印花;
2. 将印花放入温水中浸10秒，然后放在干净布上。
3. 拿着印花纸板将印花移到模型上;
4. 手指蘸水将印花移到适当的位置;
5. 用软布轻压印花直至水干，气泡消失。

### DECAL APPLICATION

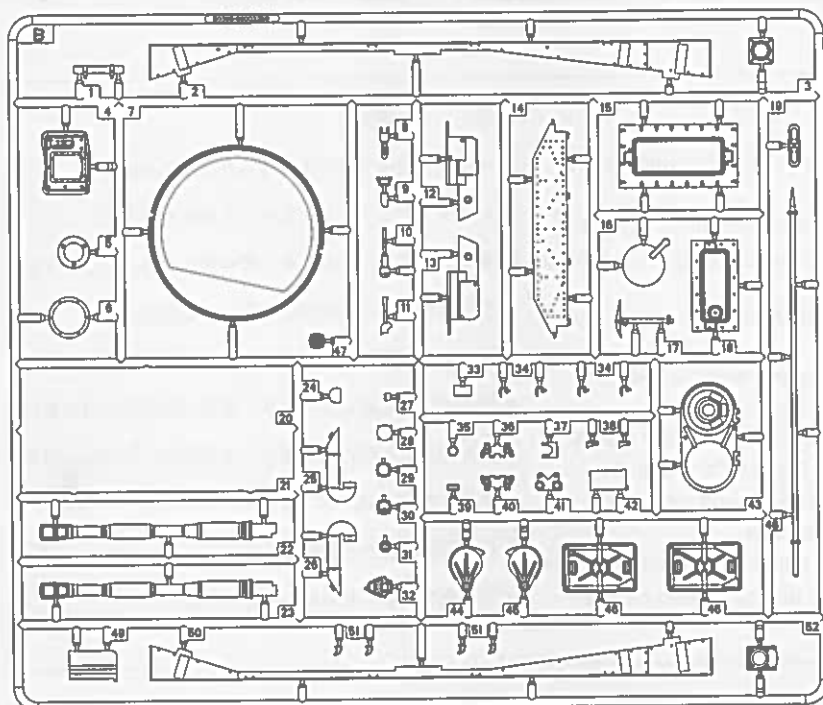
1. Cut off decal from sheet.
2. Dip the decal in tepid water 40°C for about 10 sec. and place on a clean cloth.
3. Hold the backing sheet edge and slide decal onto the model.
4. Move decal into position by wetting decal with finger.
5. Press decal gently down with a soft cloth until excess water and air bubbles are gone.
6. Allow decal to dry completely before handling model.

部品图 Parts

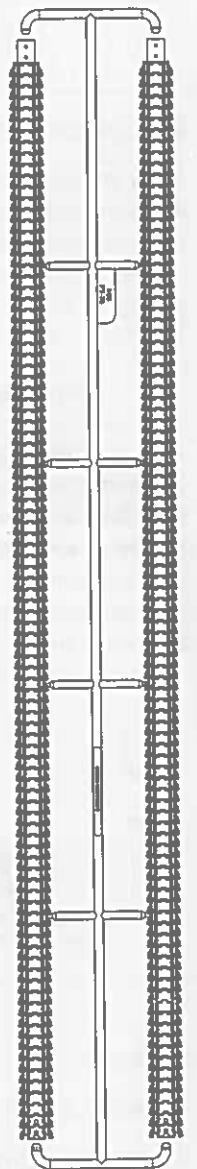
Ax2



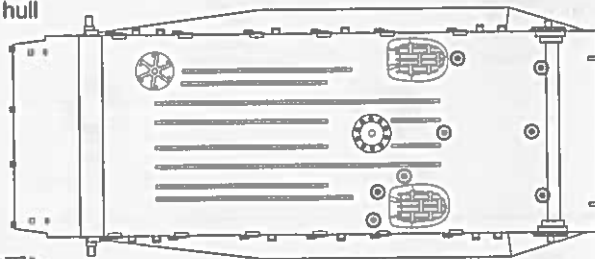
B



《履带》  
Tracks



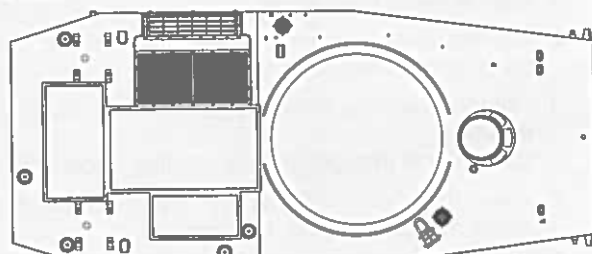
《车底》  
Lower hull



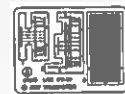
《水贴》  
Decal



《车面》  
Upper hull



《蚀刻片》A  
PE-A

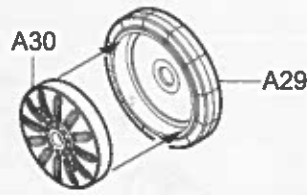


《蚀刻片》C  
PE-C



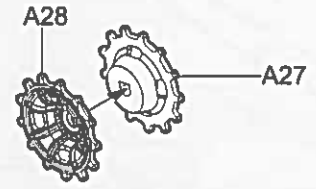
《棉绳》 $\varnothing$ 1x300mm  
Rope

**1** 车轮组装  
Wheels assembly



《负重轮》  
Road wheel

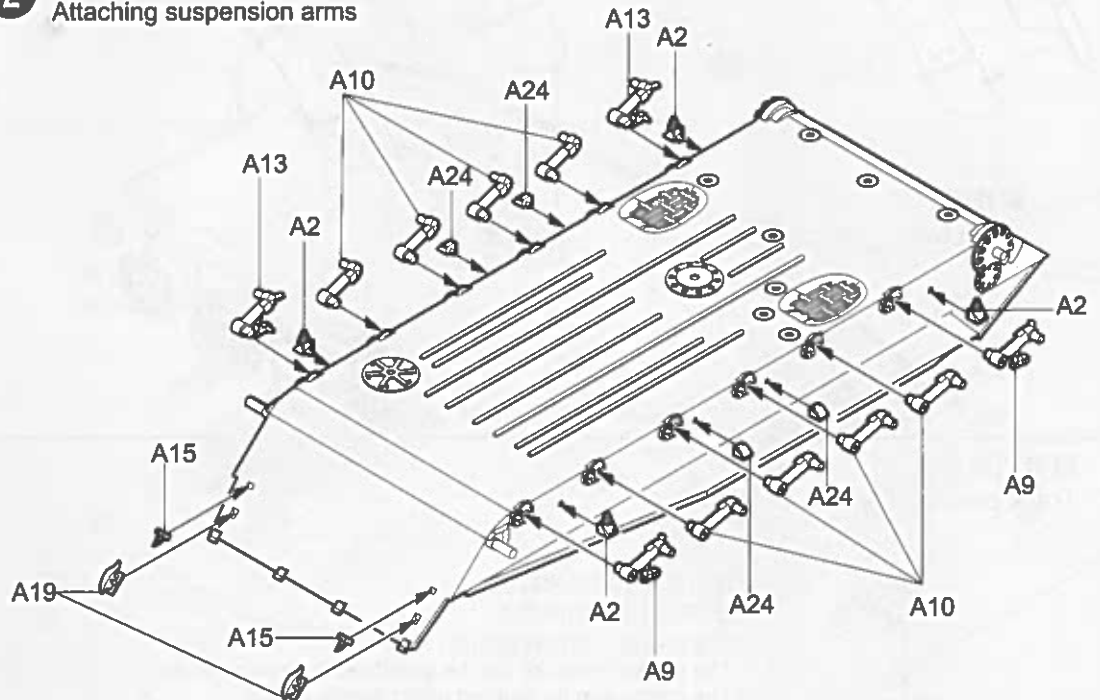
制作12组  
Make twelve



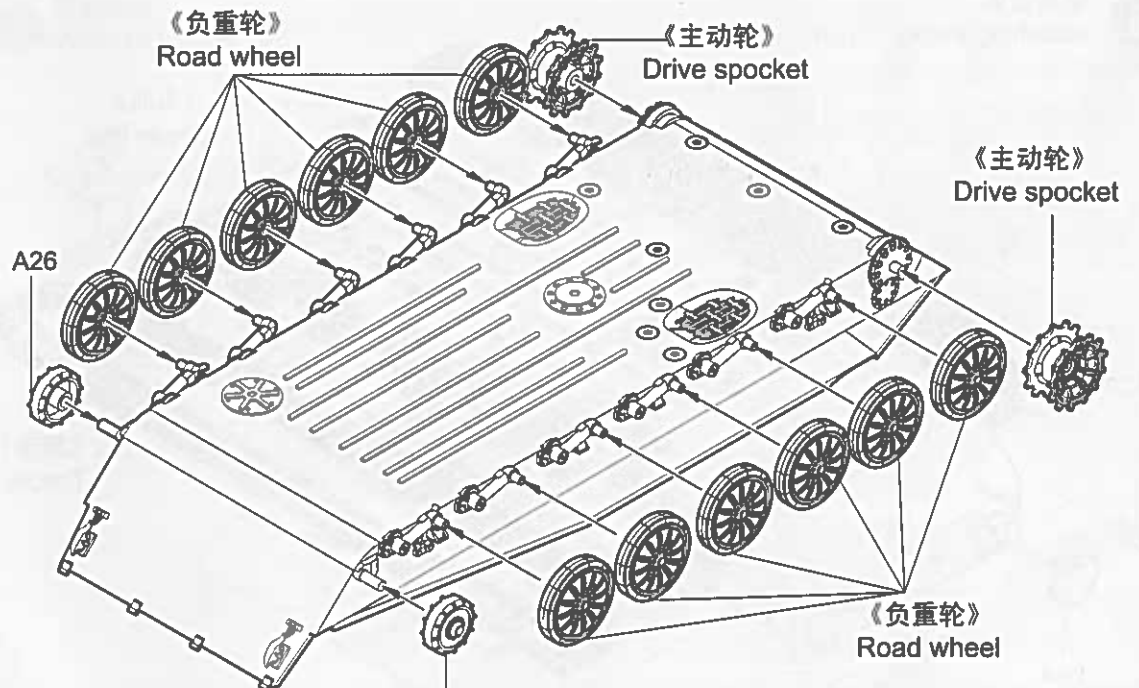
《主动轮》  
Drive sprocket

制作2组  
Make two

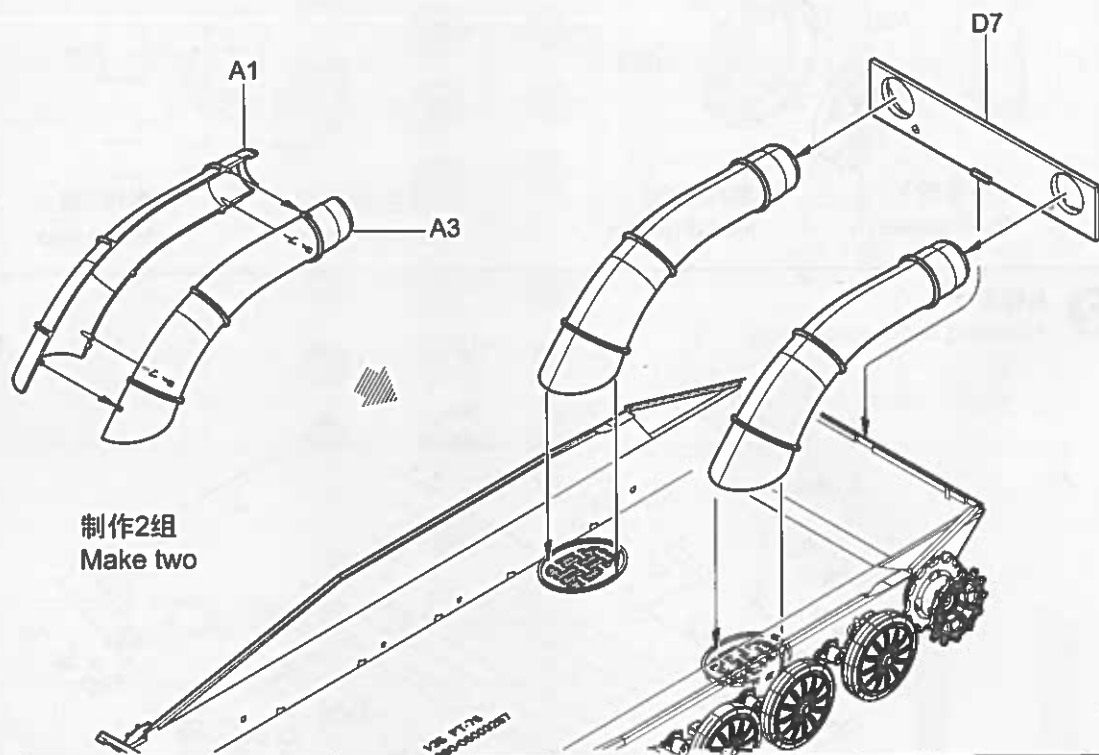
**2** 悬臂安装  
Attaching suspension arms



**3** 车轮安装  
Attaching wheels



**4** 车底组装  
Lower hull assembly

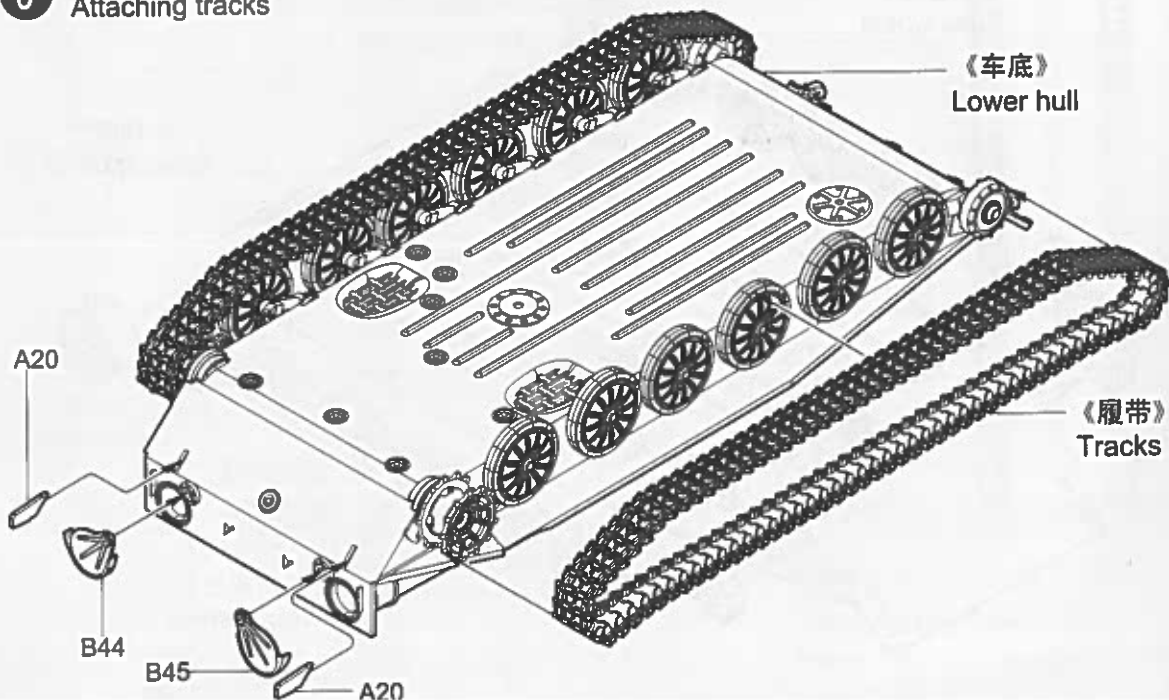


**5** 履带的联接  
Track construction

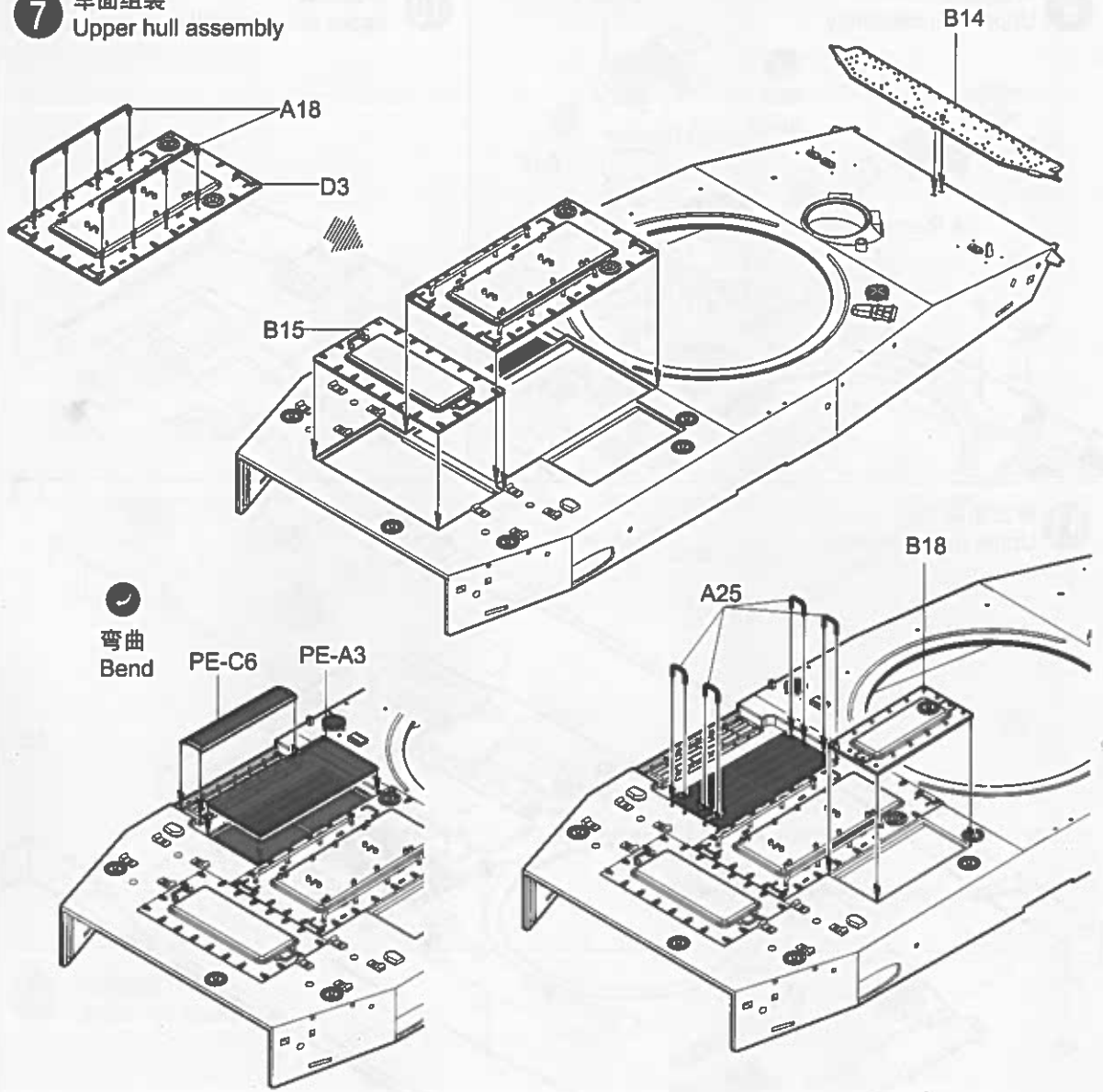


- 履带可用塑料胶水粘合。
- 履带可用模型油漆喷涂。
- 若履带断裂，用细丝线固定。
- The tracks in this kit can be glued using plastic cement.
- The tracks can be painted using plastic paints.
- If track is broken strengthen with staples or thread.

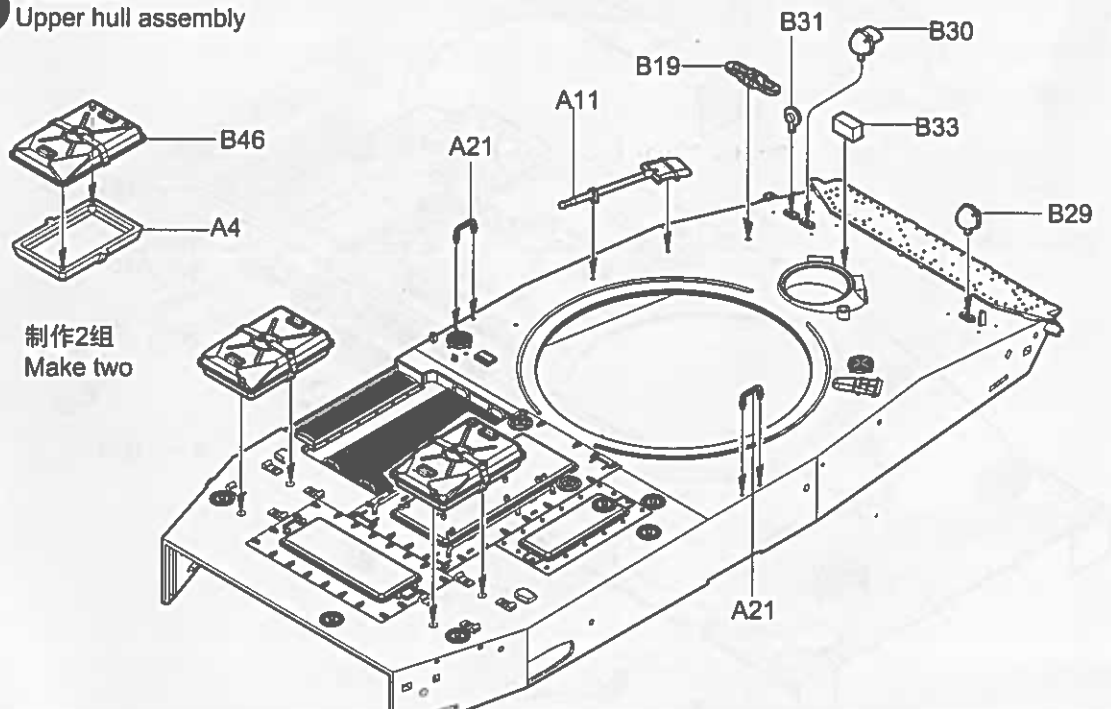
**6** 履带安装  
Attaching tracks



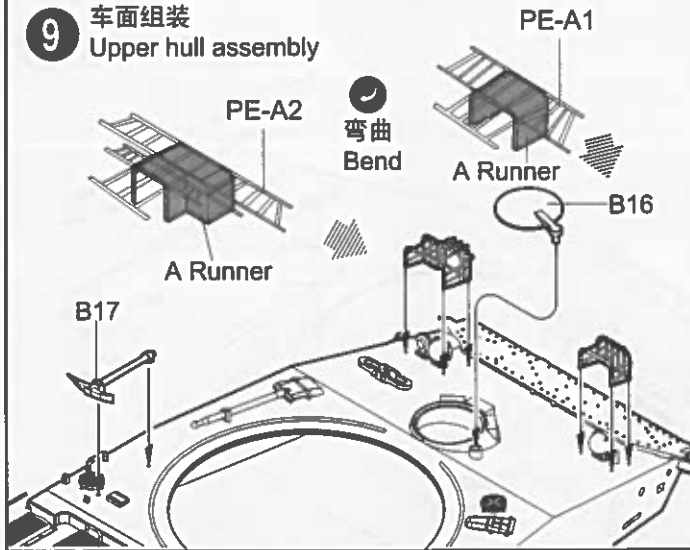
**7** 车面组装  
Upper hull assembly



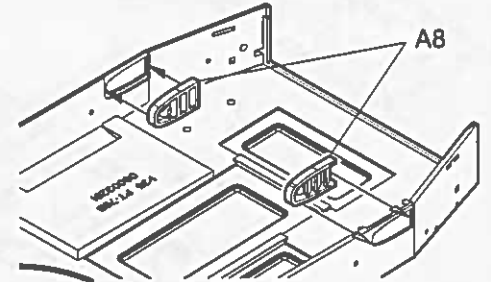
**8** 车面组装  
Upper hull assembly



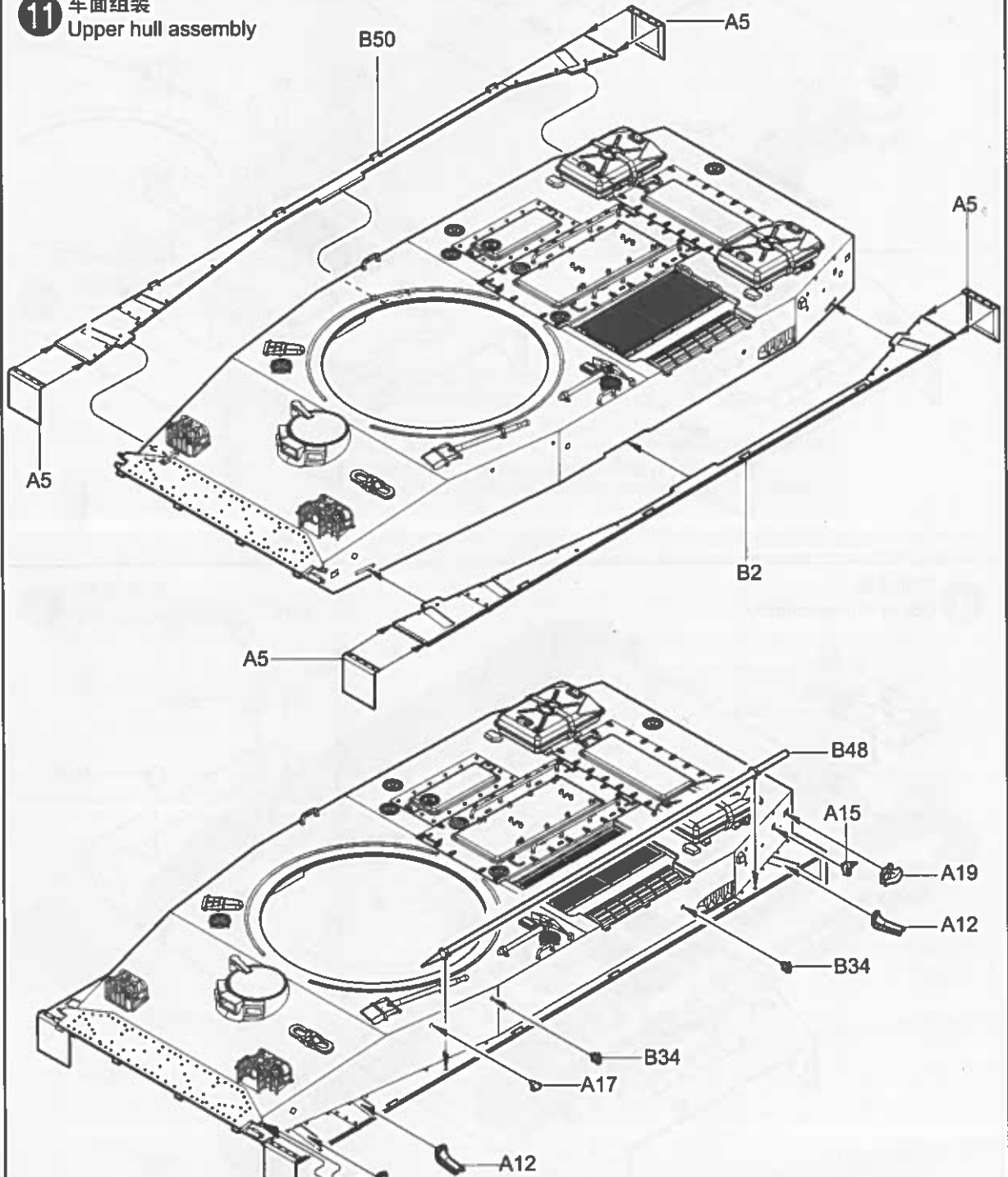
**9** 车面组装  
Upper hull assembly



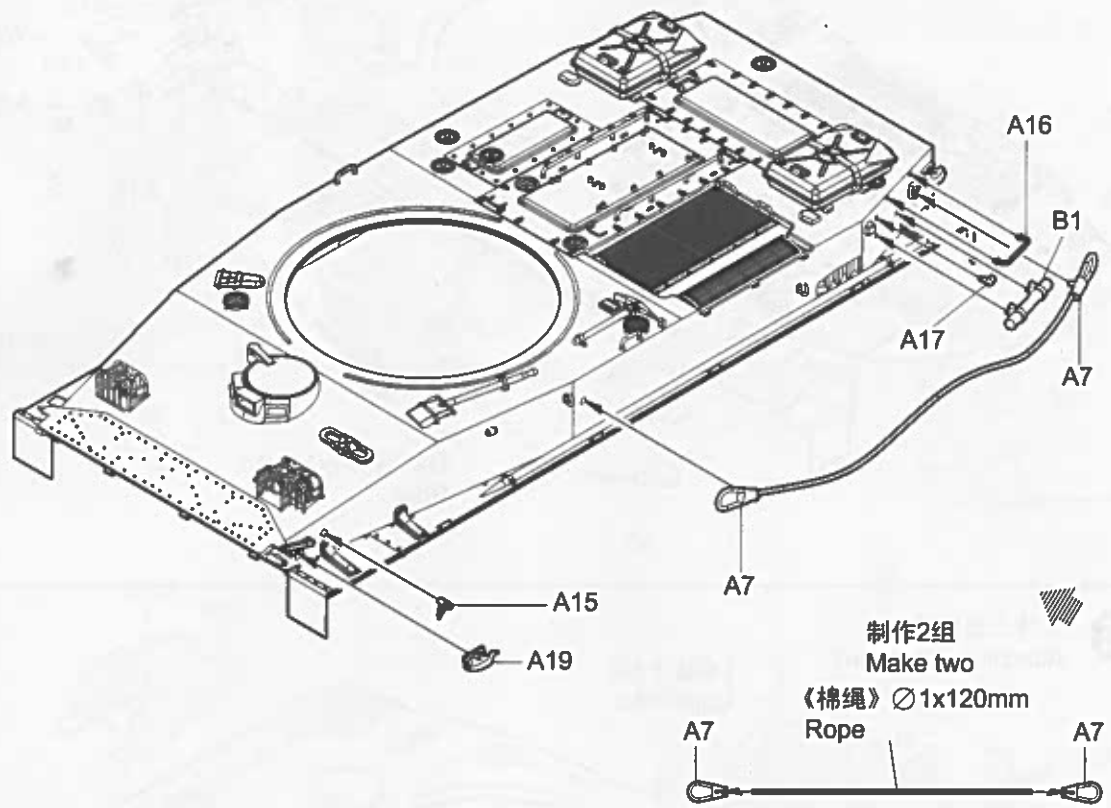
**10** 车面组装  
Upper hull assembly



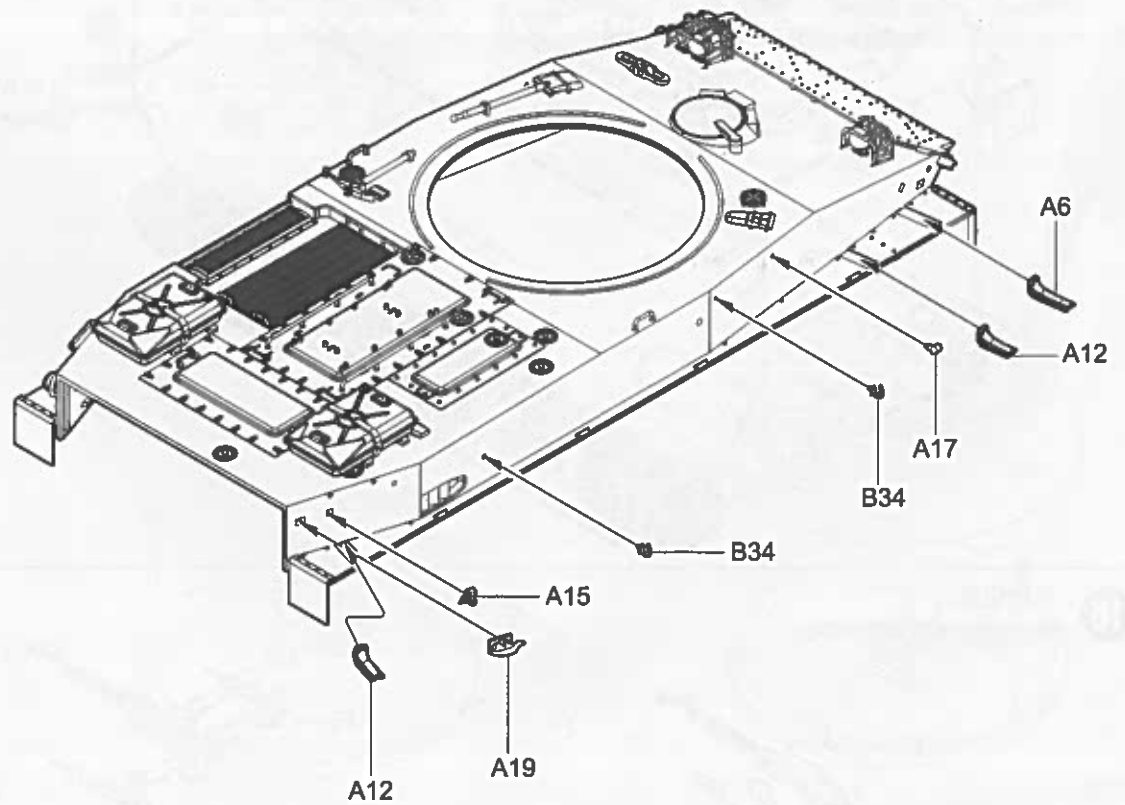
**11** 车面组装  
Upper hull assembly



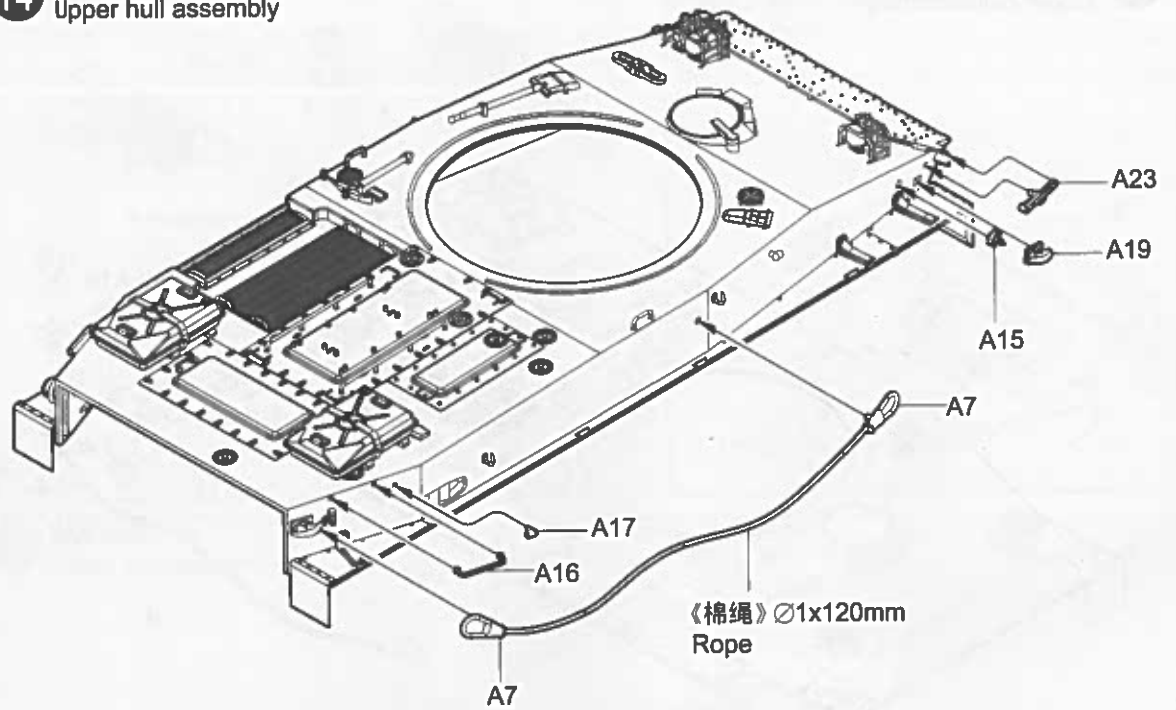
**12** 车面组装  
Upper hull assembly



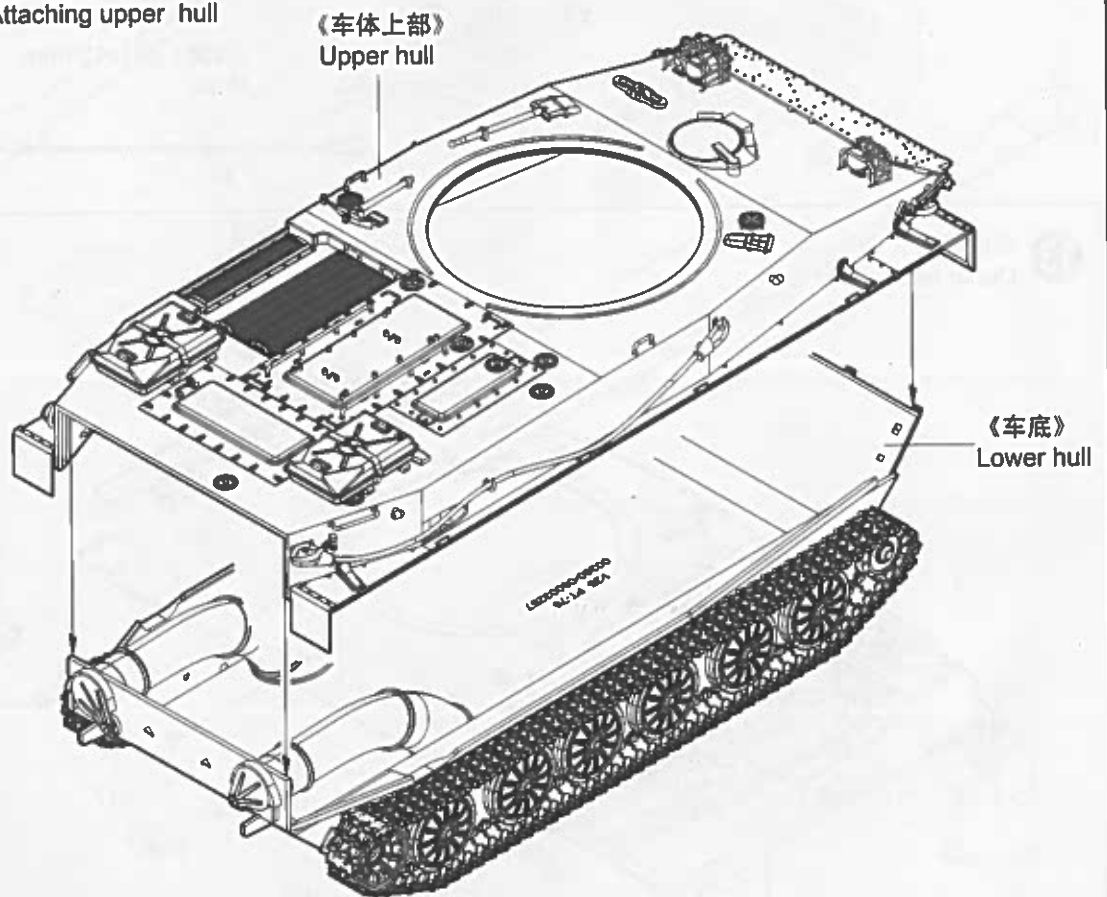
**13** 车面组装  
Upper hull assembly



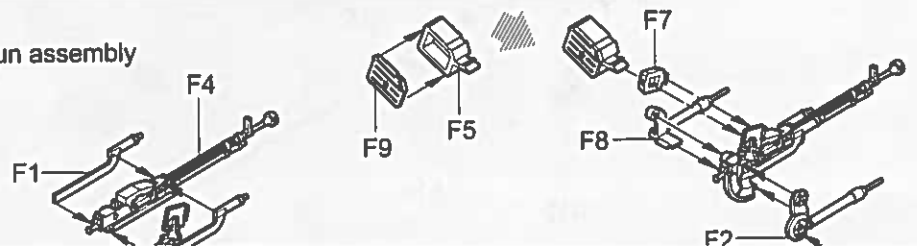
**14** 车面组装  
Upper hull assembly



**15** 车体上部安装  
Attaching upper hull

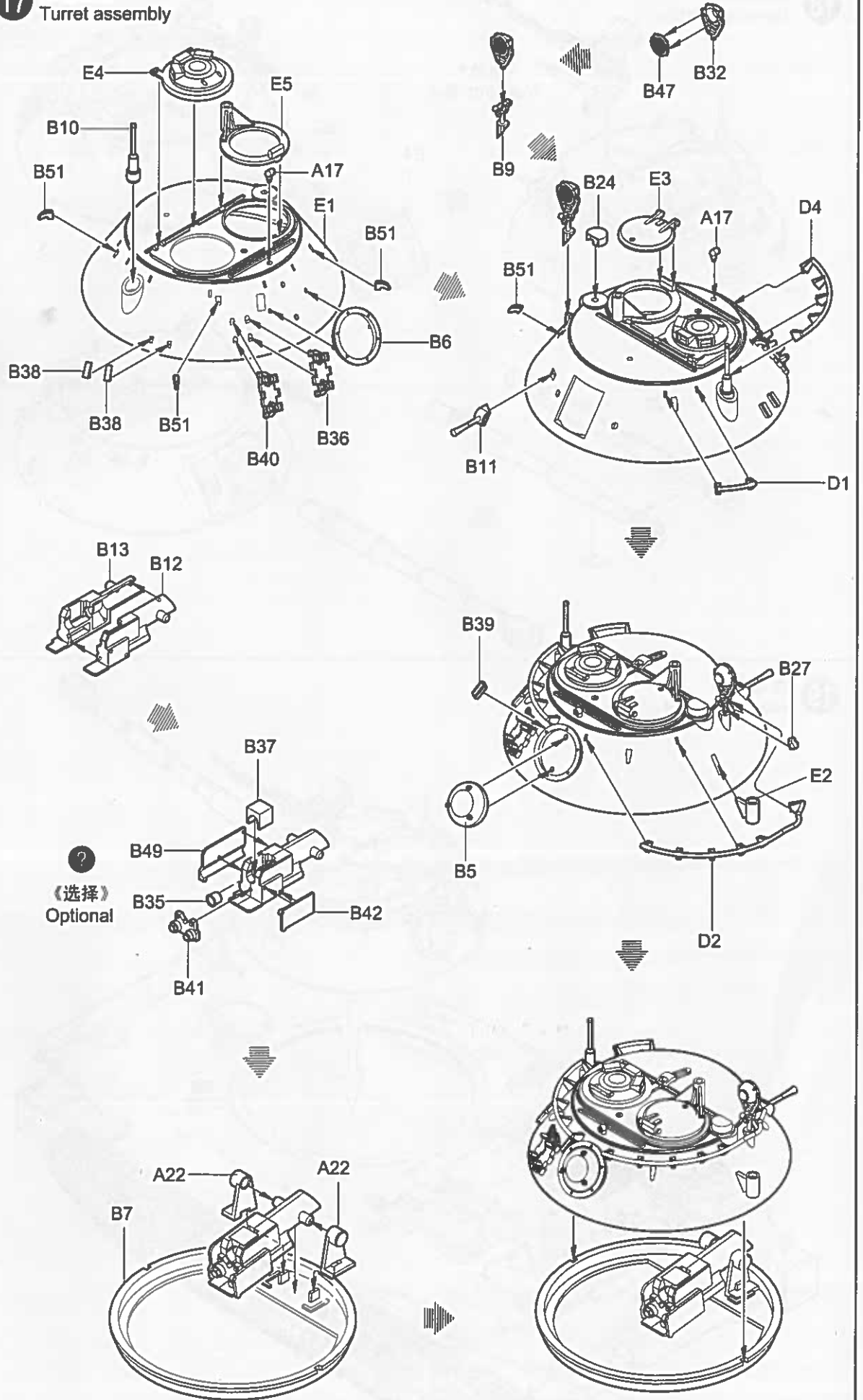


**16** 机枪组装  
Machine gun assembly

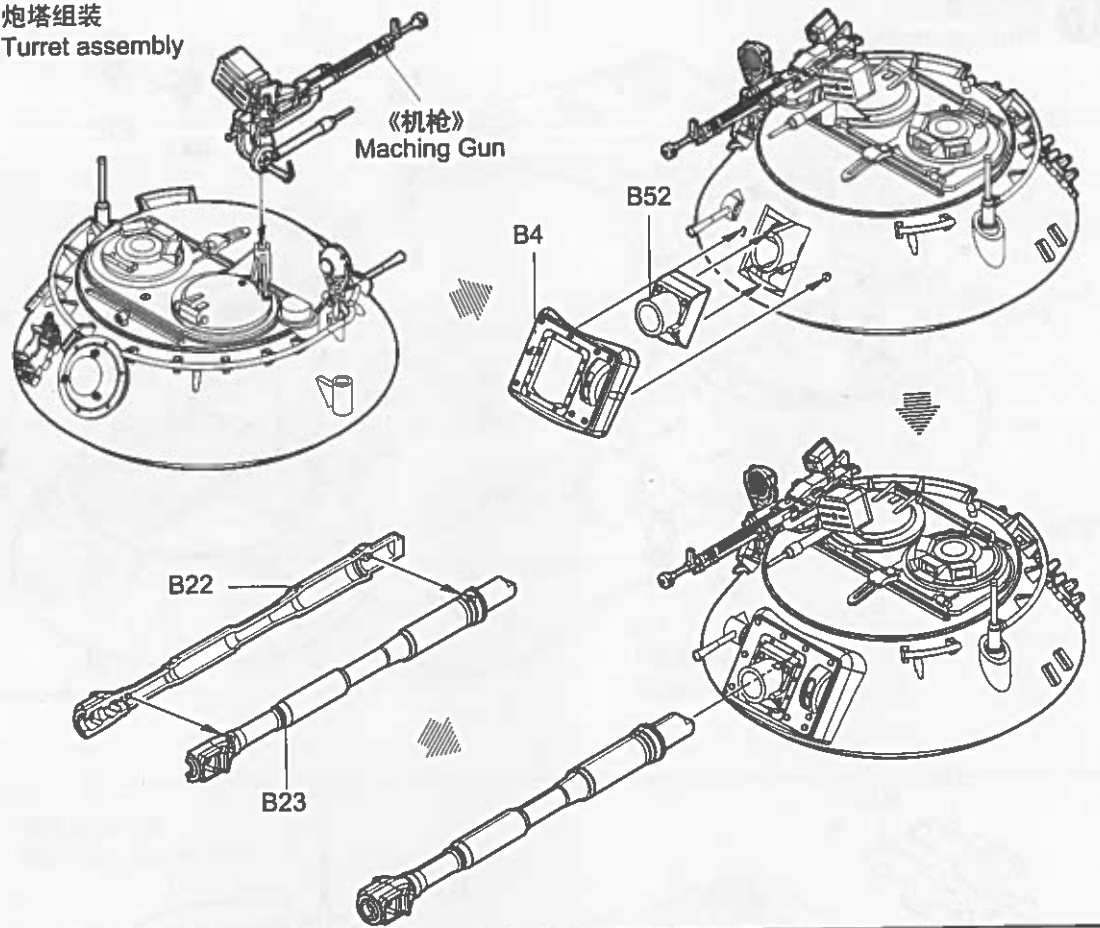




**17** 炮塔组装  
Turret assembly



**18** 炮塔组装  
Turret assembly



**19** 炮塔安装  
Attaching turret

