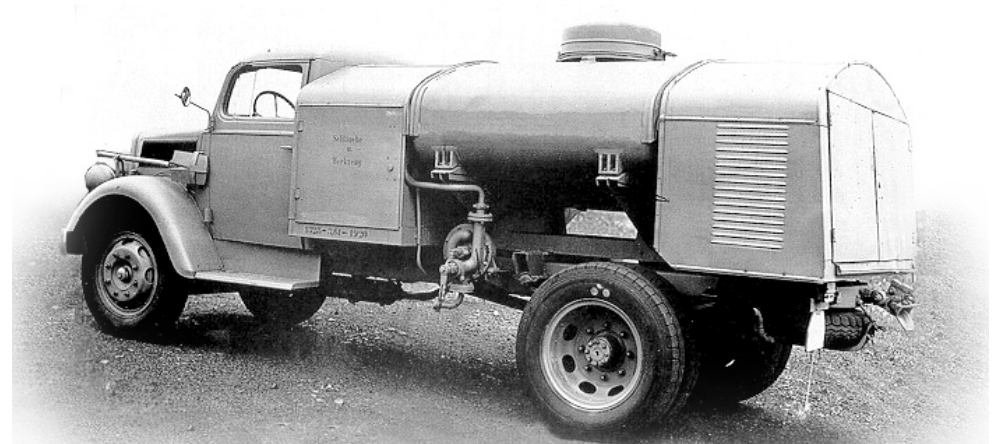


V2 Rocket T-Stoff Fuel Tanker

T-Stofftankwagen auf Basis des Opel Blitz 3t S

1:35 CONVERSION KIT for ITALERI's Opel-Blitz Einheitskoffer (kit # 368)

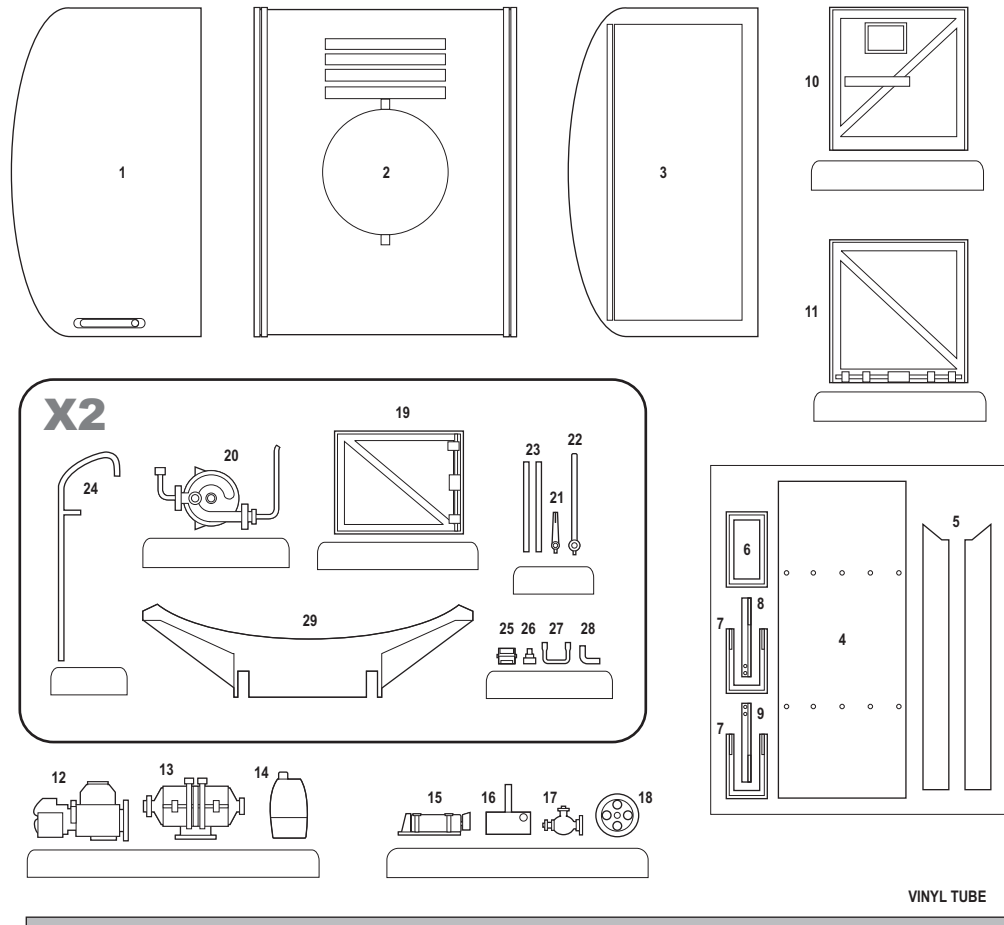
44 PARTS



The V-2 missiles were launched from various sites to avoid Allied air attacks. The V-2 launch group had to be, therefore, highly mobile and capable of movement off the road. The specialized support vehicles and efficient supply methods of the V-2 contributed greatly to the successful operational record compiled by German rocket troops. The firing of up to 8-12 missiles per day by some batteries showed the ruggedness in ingenuity of these vehicles. Some vehicles were adapted from existing Wehrmacht or Luftwaffe equipment and proved quite compatible.

The V-2 rockets used two-component fuel - so-called T-Stoff, and B-Stoff (Alcohol).

The Opel Blitz Ausf S Kessel-Kw. 3t tanker carried 640 gallons of T-stoff (85% hydrogen peroxide & 15% water), which was highly corrosive to any organic material, so it could only be stored in aluminum containers. The vehicle was equipped with a rear pump, capacity 66 gallons per minute, and a hand pump 21 gallons per minute. Weight loaded 13,000 lb. It would require at least 2 tanker trucks to fill the large tank on each V2. Three trucks could fill 2 rockets.

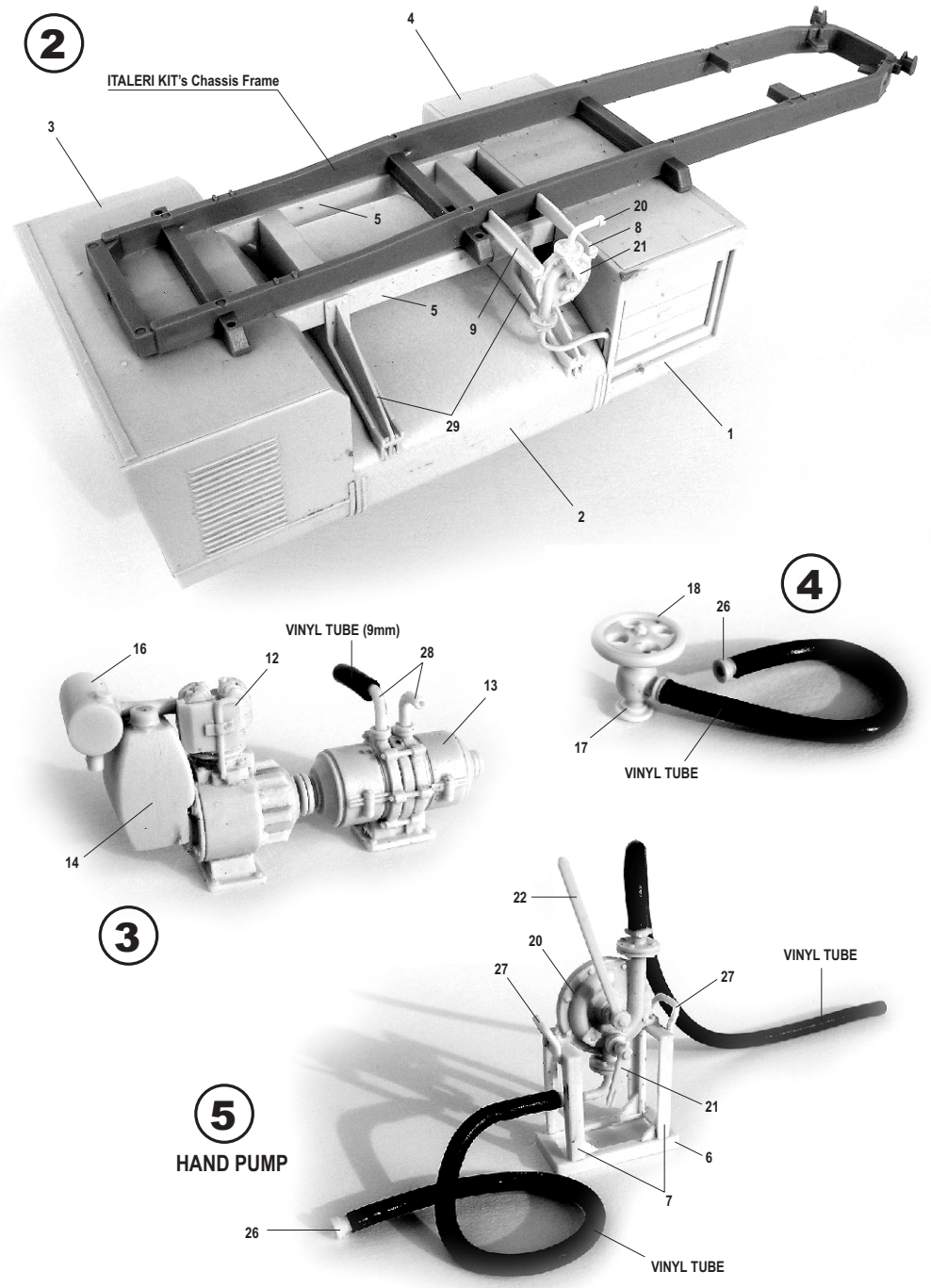


X2

- Optional
- Cut / Remove part
- Repeat on mirror side

- 1**
1. Follow the ITALERI kit #368 manual, steps 1 - 6.
 2. Skip steps 7 -10.
 3. Execute step 11: Mount Fuel Tank instead of 'Einheitskoffer'.
 4. ITALERI kit's parts 79B and 80B are optional.

LEADWARRIOR's kit Lw35001a or Lw35001b (War-Time wheels) is recommended to replace ITALERI's wheels.



3

5
HAND PUMP

4